

N°		
1	0.6 m	16.5 m ²
2	1 m	7.5 m ²

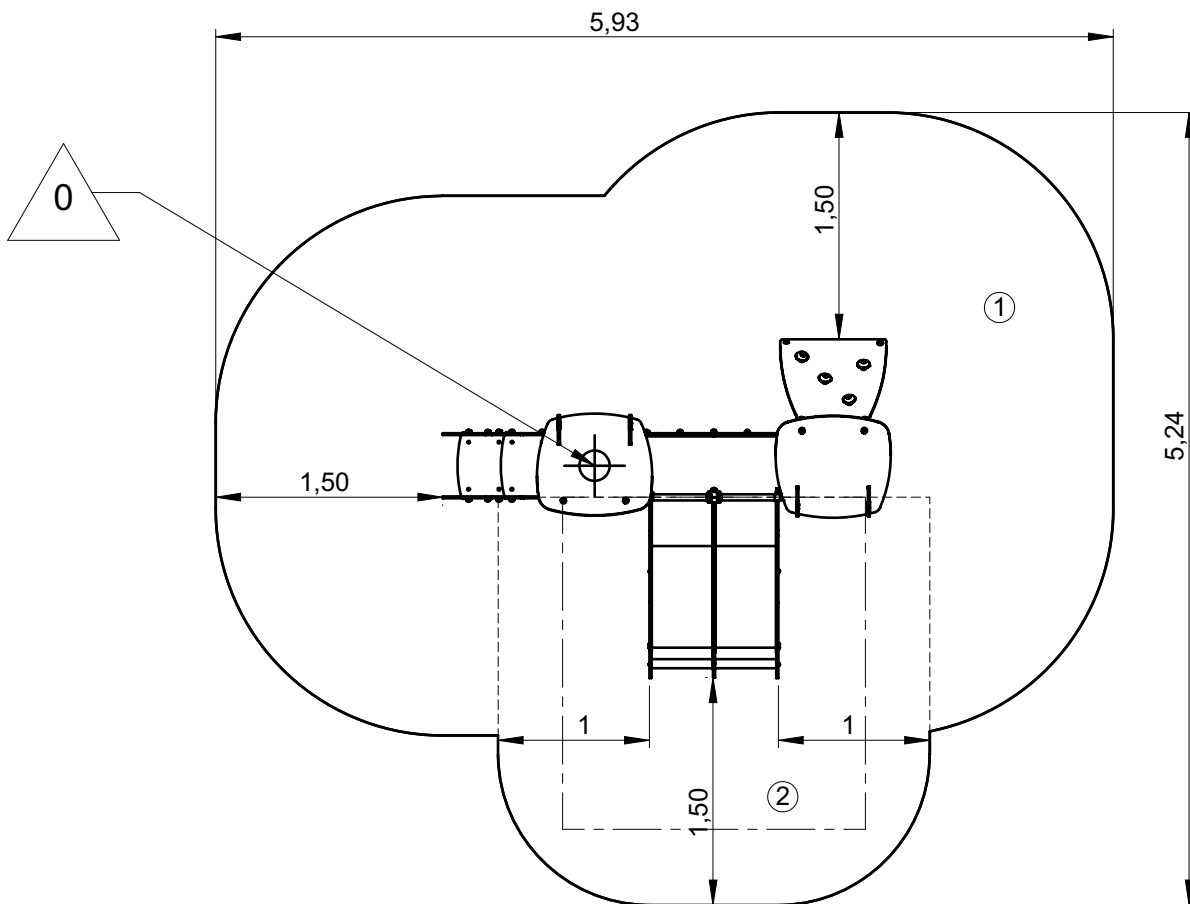
— Zone d'impact
Impact area
Area de impacto
Fallraum
Valzone

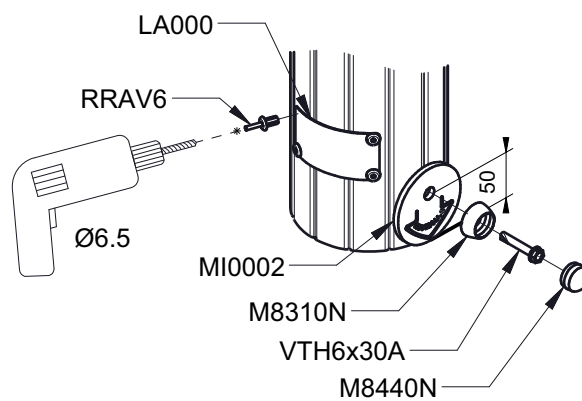
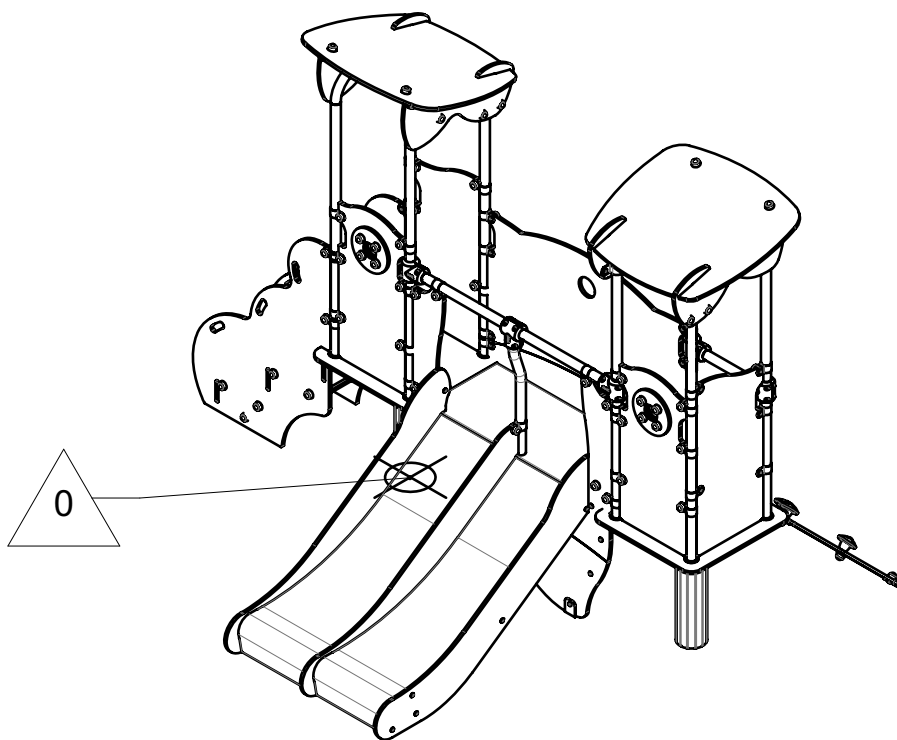


Point de référence
Setting out point
Punto de referencia
Bezugspunkt
Referentiepunt

- - - Espace libre
Free space
Espacio libre
Freiraum
Vrije ruimte

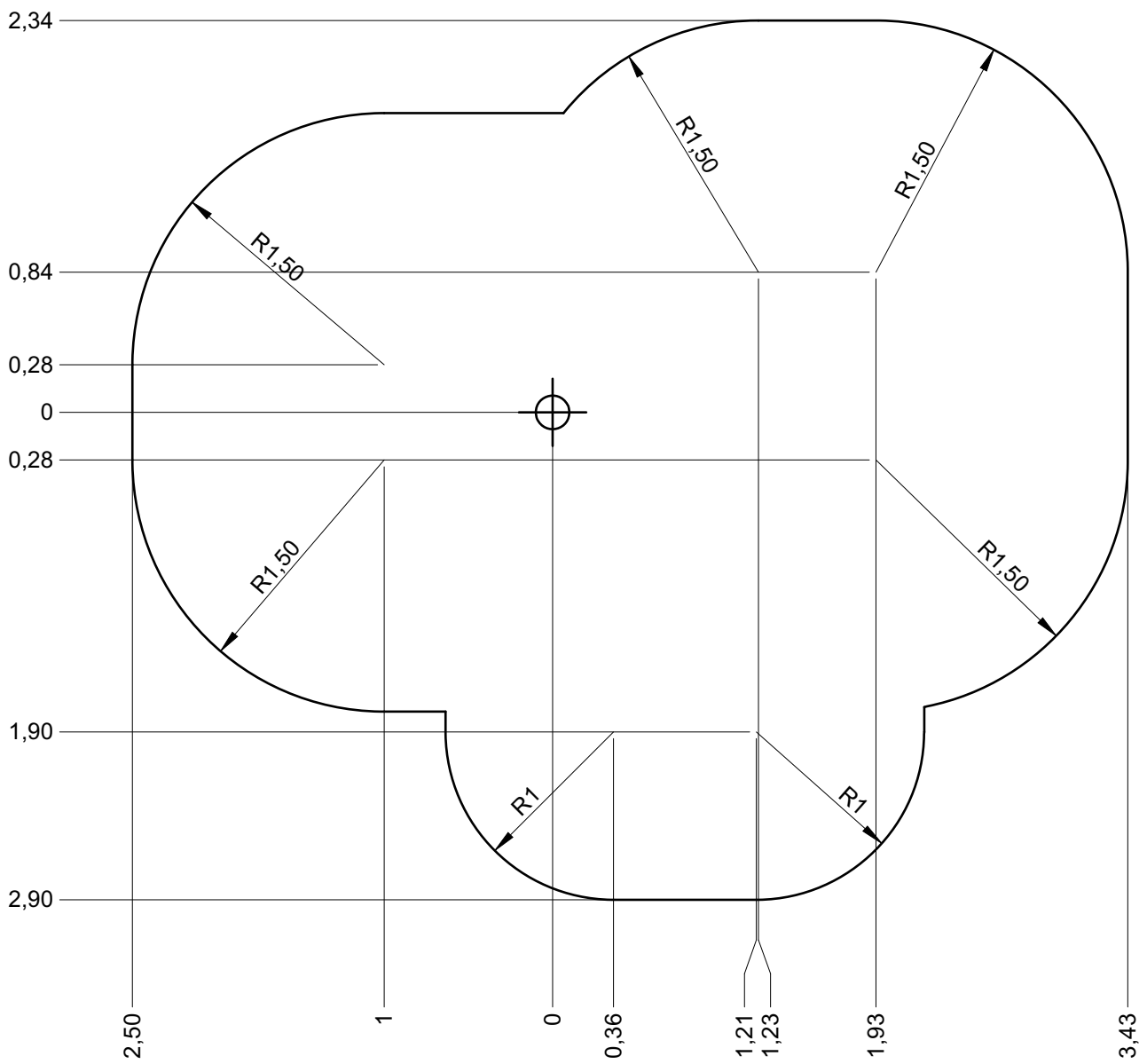
EN1176-1:2017
EN1176-3:2017





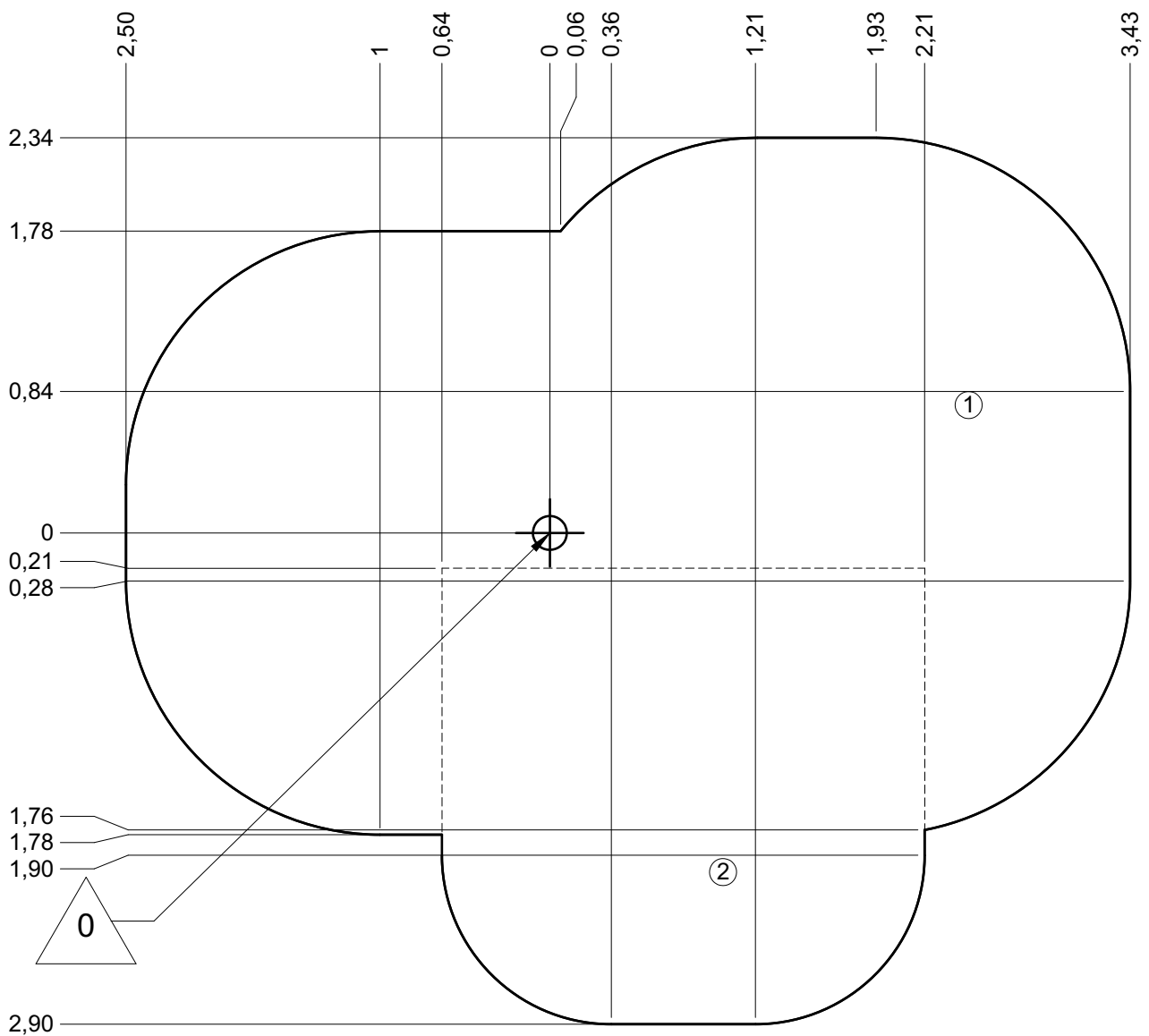
— Zone d'impact
 Impact area
 Area de impacto
 Fallraum
 Valzone

24 m²



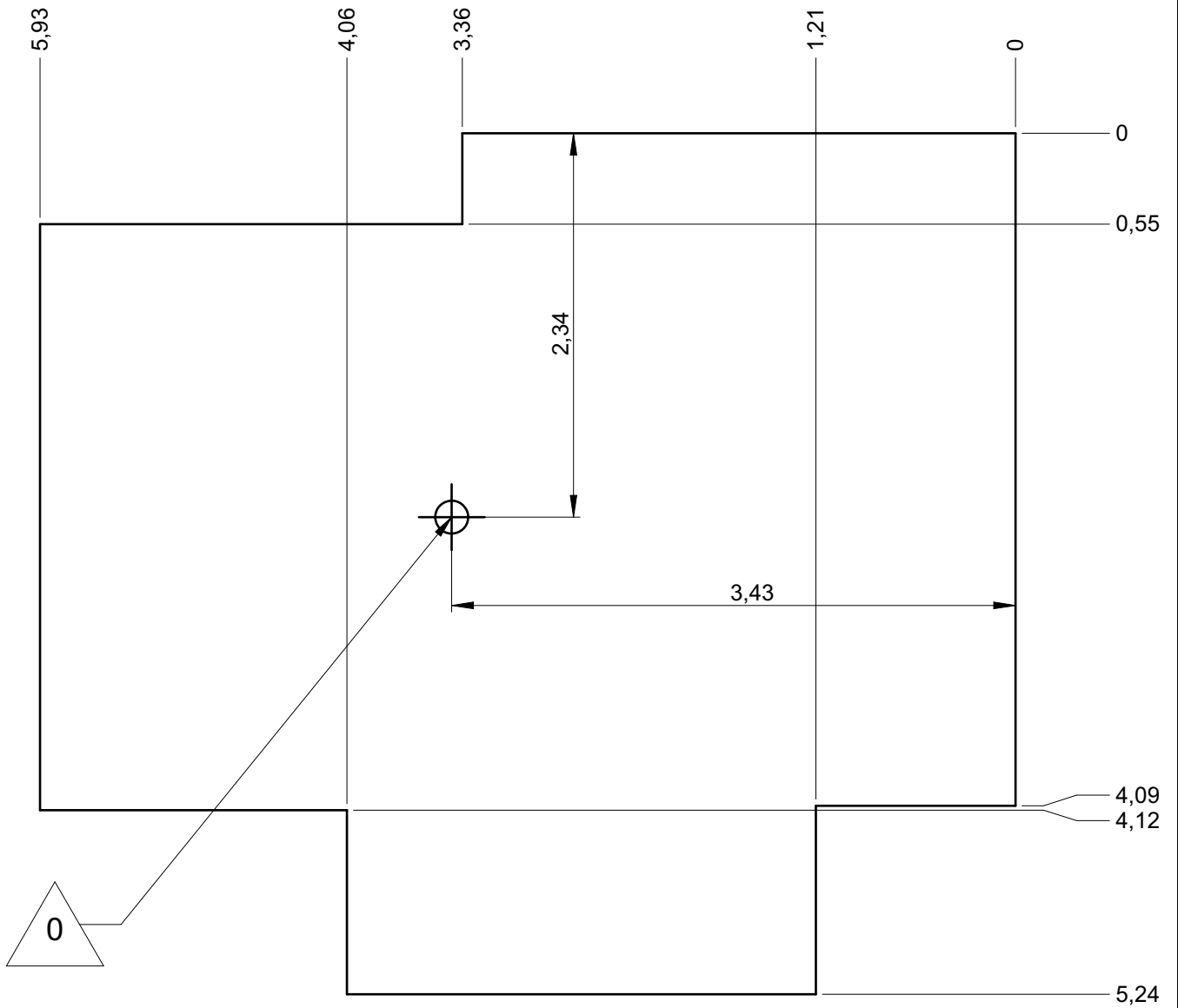
— Sol souple
 Wepour
 Caucho continuo
 Synthetischer Fallschutz
 Gietvloer

24 m²

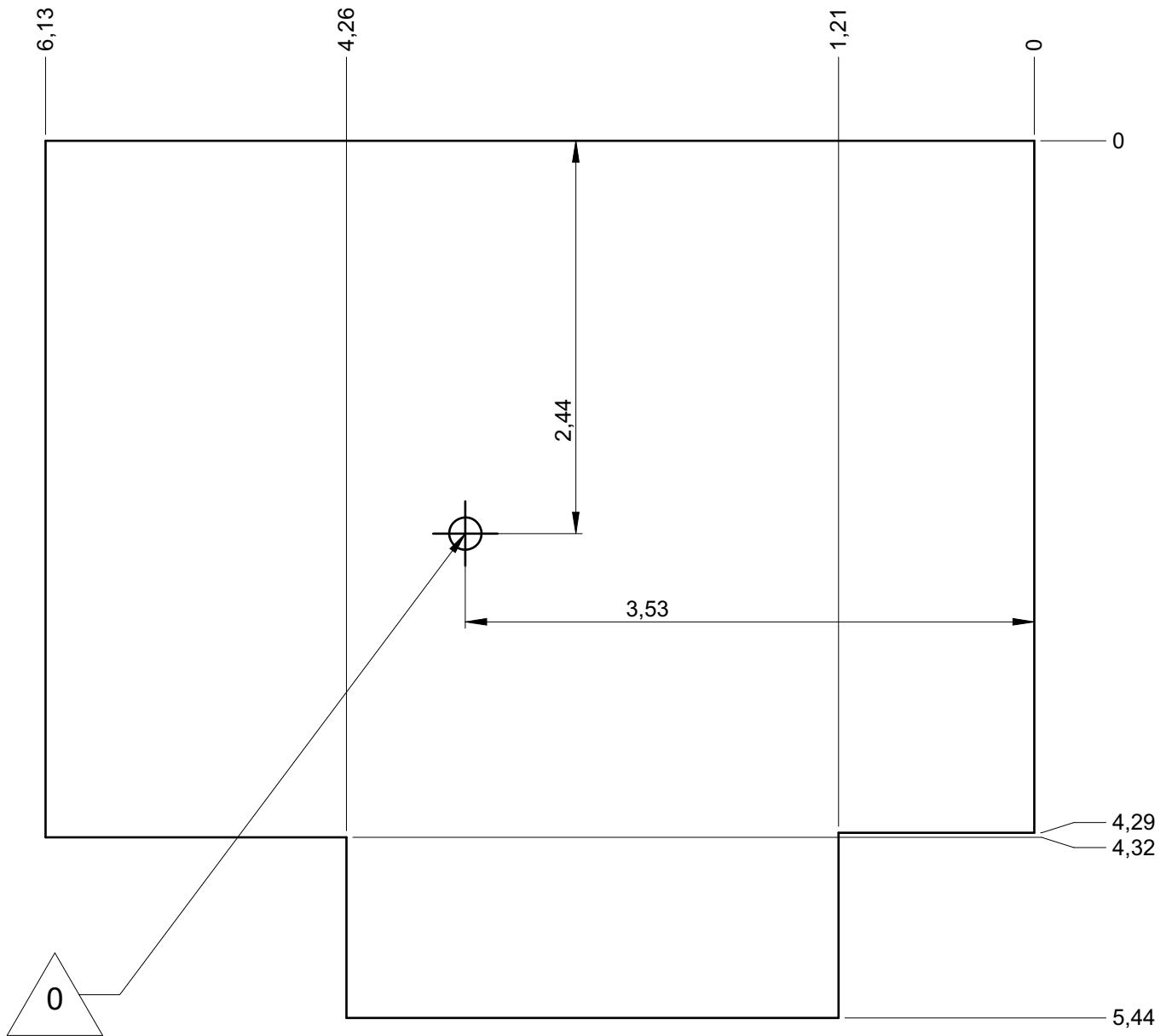


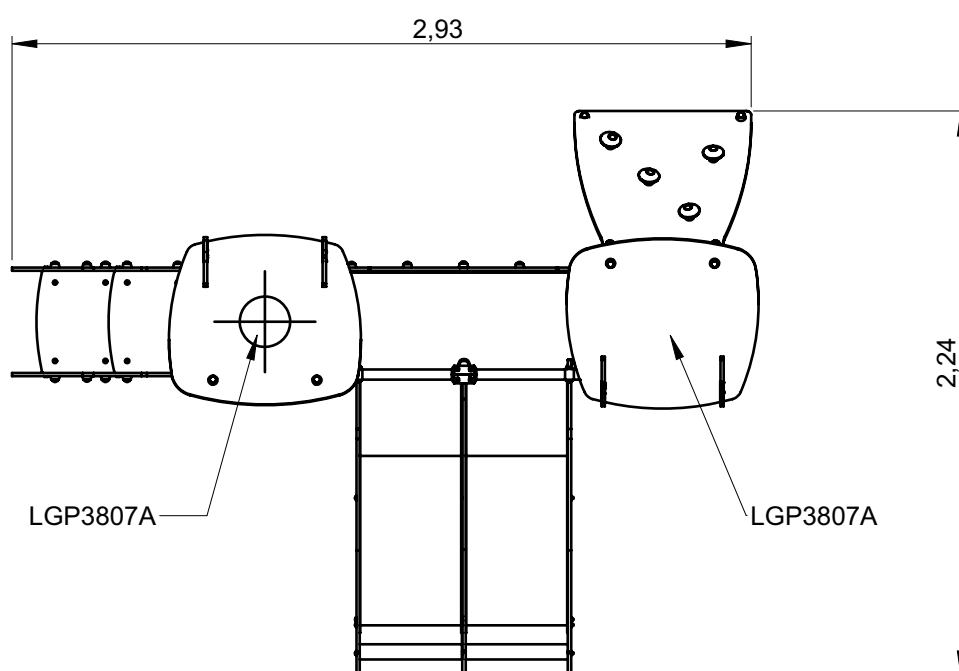
— Dalle béton
 Concrete pad
 Solera de hormigon
 Beton Bodenplatte
 Betonnen bodemplaat

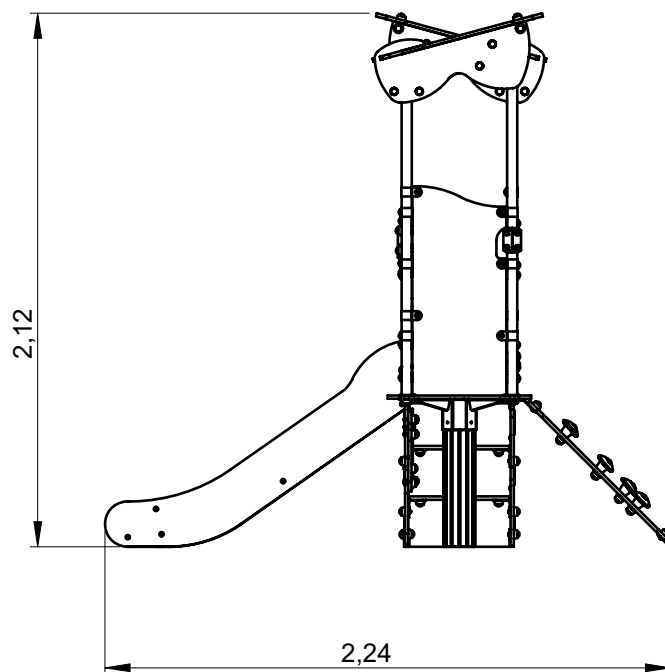
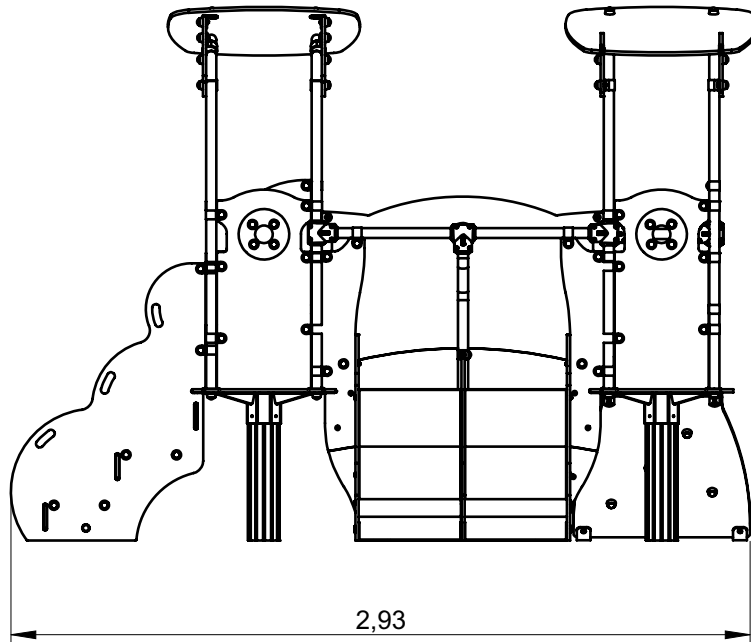
23 m
 27 m²



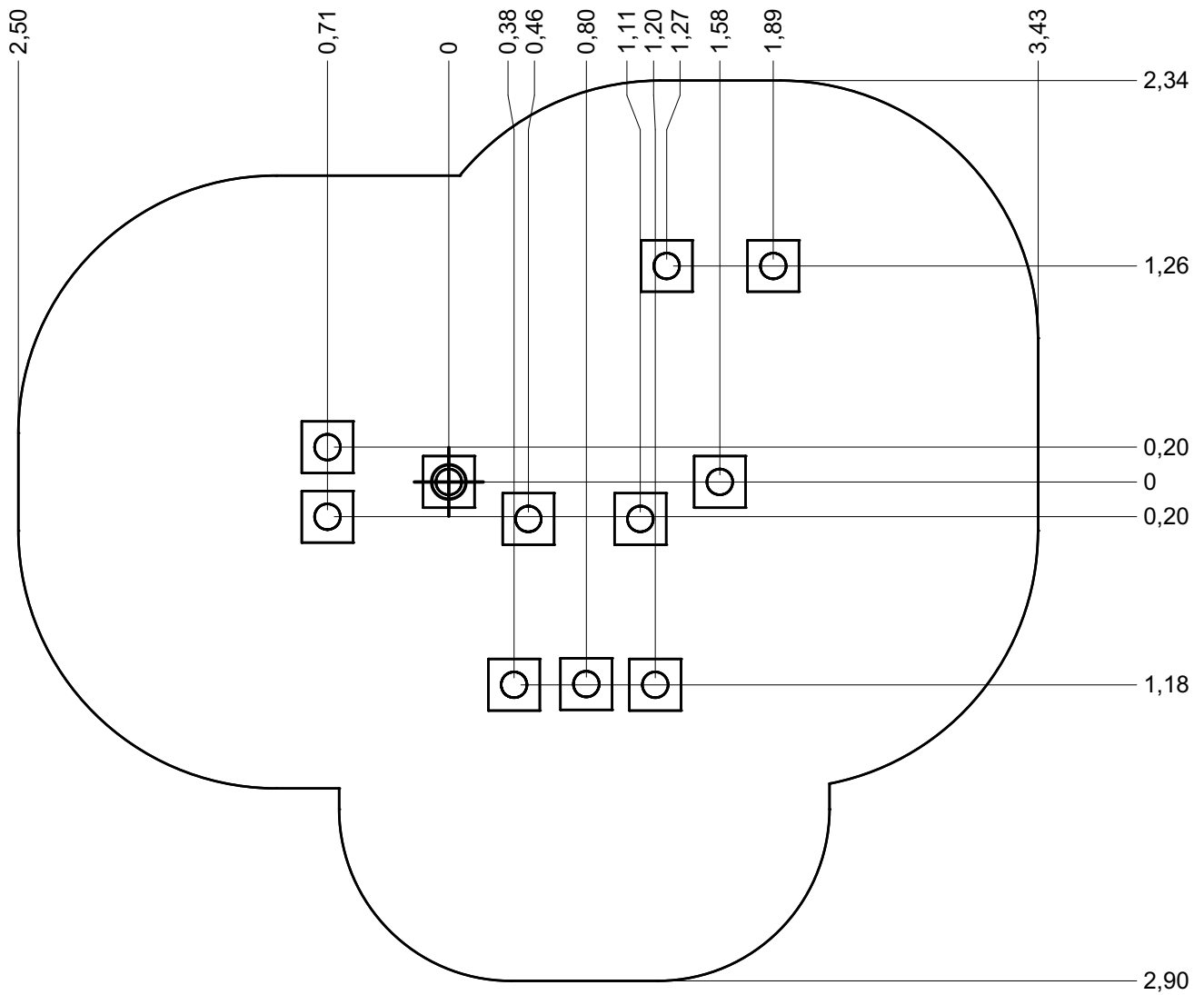
— Sol fluent
 — Loos particule material
 — Arenero
 — Loses Bodenmaterial
 — Los bodemmaterial
24 m
30 m²



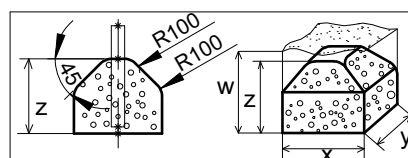







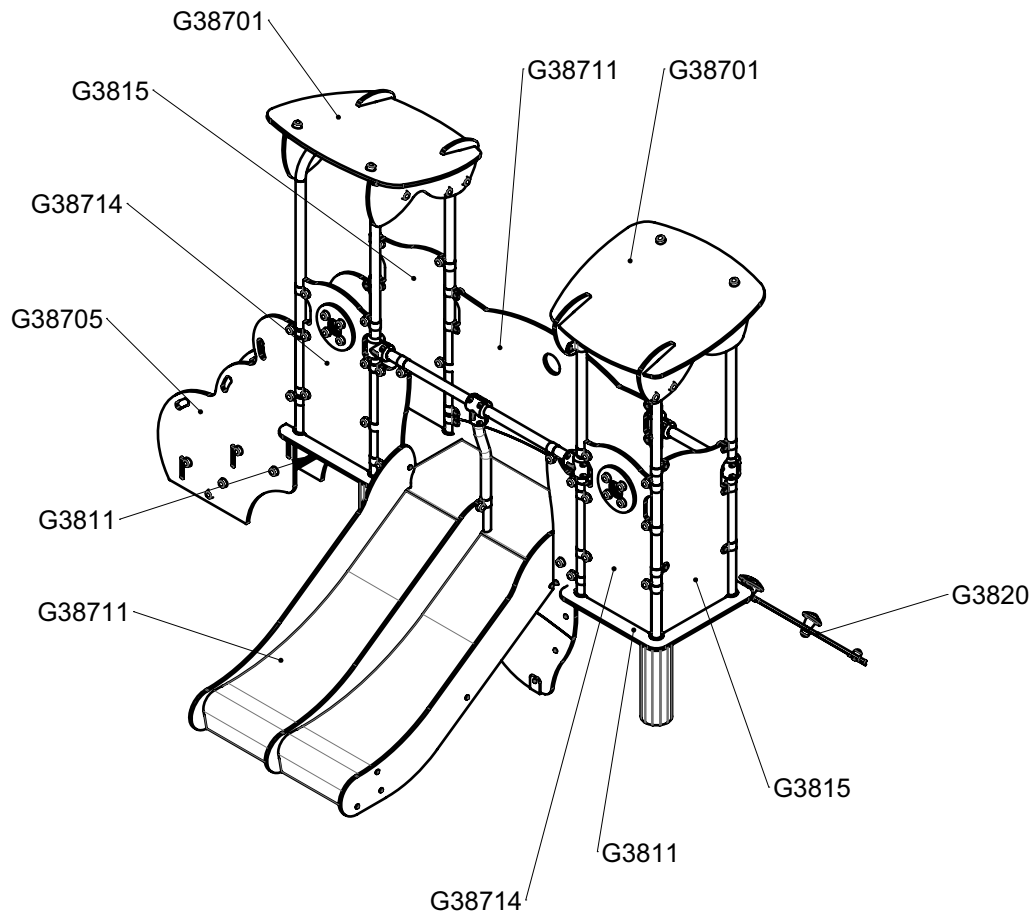
Implantation
 Footing plan
 Implantación
 Fundamentplan
 Funderingstekening



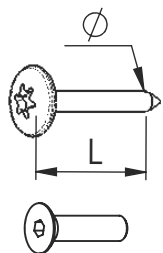
 x2
 5H
 0.3 m³



	x	y	z	w
	0.3	0.3	0.3	0.6
	0.4	0.4	0.3	0.6
	0.6	0.3	0.3	0.6



Réf	Qté
G3811	2
G3815	2
G3820	1
G38701	2
G38705	1
G38711	1
G38714	2



VBT 6 x 30
 \varnothing L (mm)

VFHC



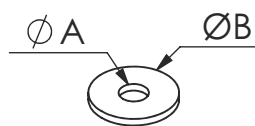
VEC M10
 \varnothing




VEF




VEB



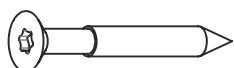
VR6x18
 $\varnothing A$ $\varnothing B$



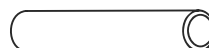
1000 - 1800 tr/min
 Vitesse de rotation
 Rotation speed



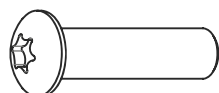
14 N.m
 Couple de rupture
 Torque of break



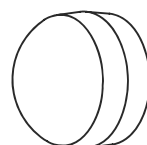
VWT



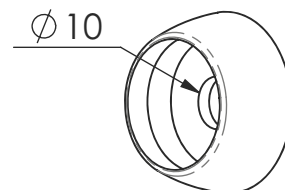
VGC



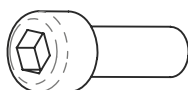
VCBHC



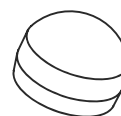
M10 440N



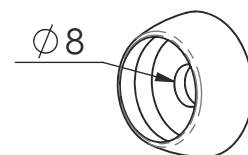
M10 310 N



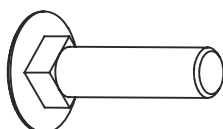
VBTR



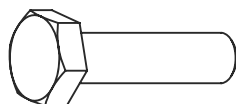
M8440N



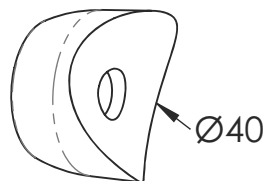
M8310N



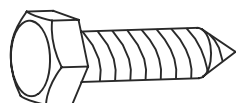
VTRCC



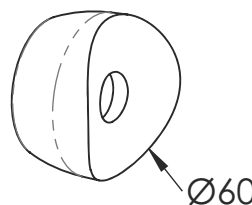
VTH



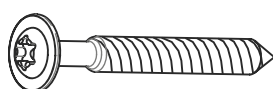
MI2503



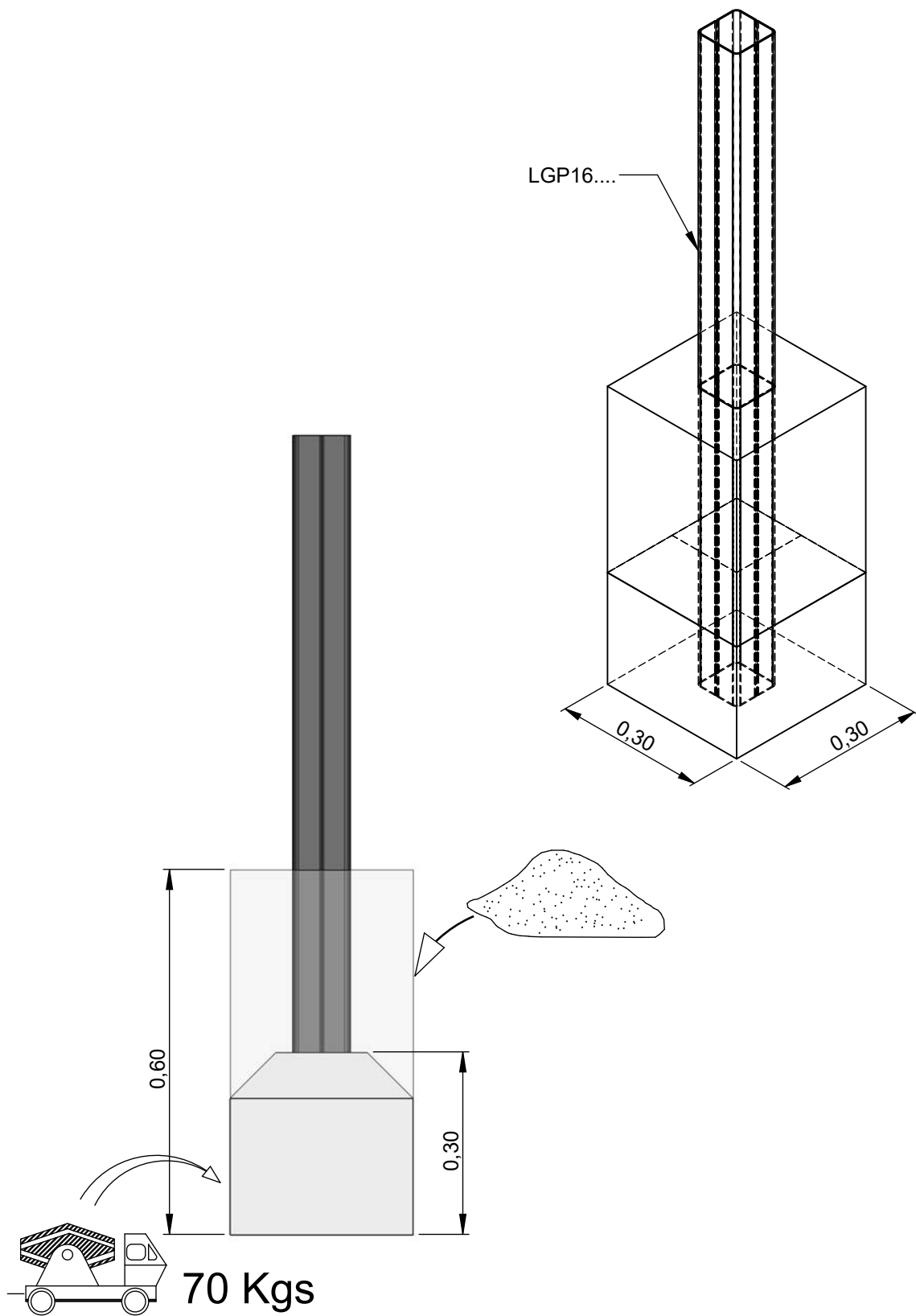
VTF



MI2701

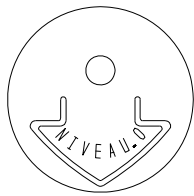


VBT



A

Proludic



MI0002

VCBHCM10

M10310N
VEFM10
M10440N

LG08

M10440N
VEFM10
MI2503

LG3802

M10440N
VTH10*80
MI2503

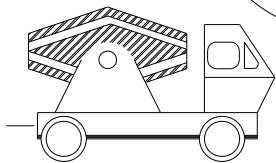
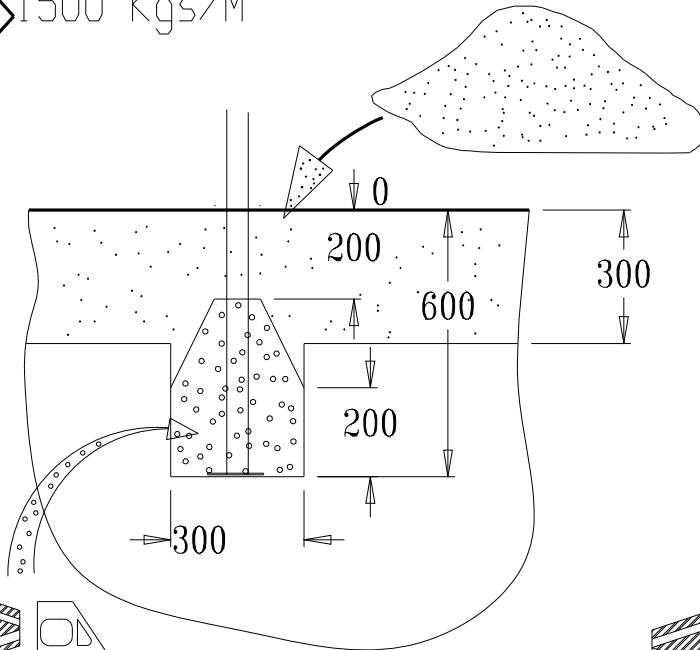
LG3804



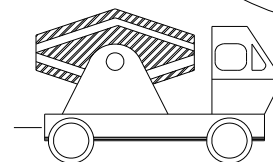
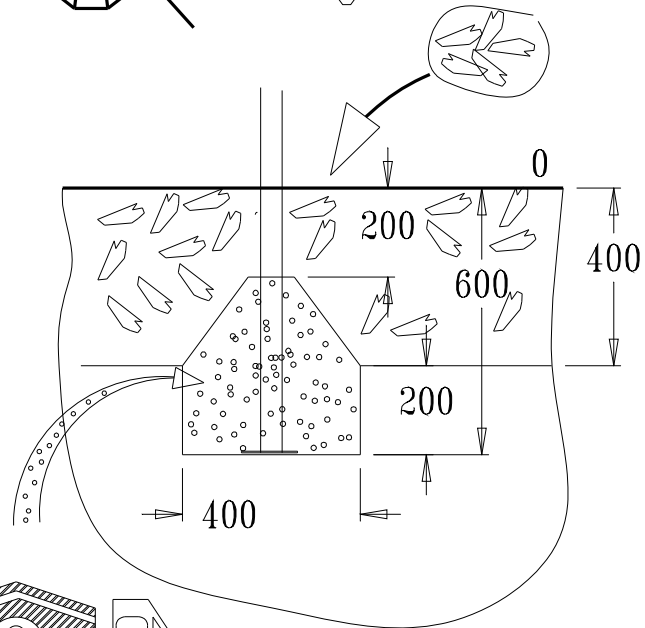
> 1500 Kgs/M³



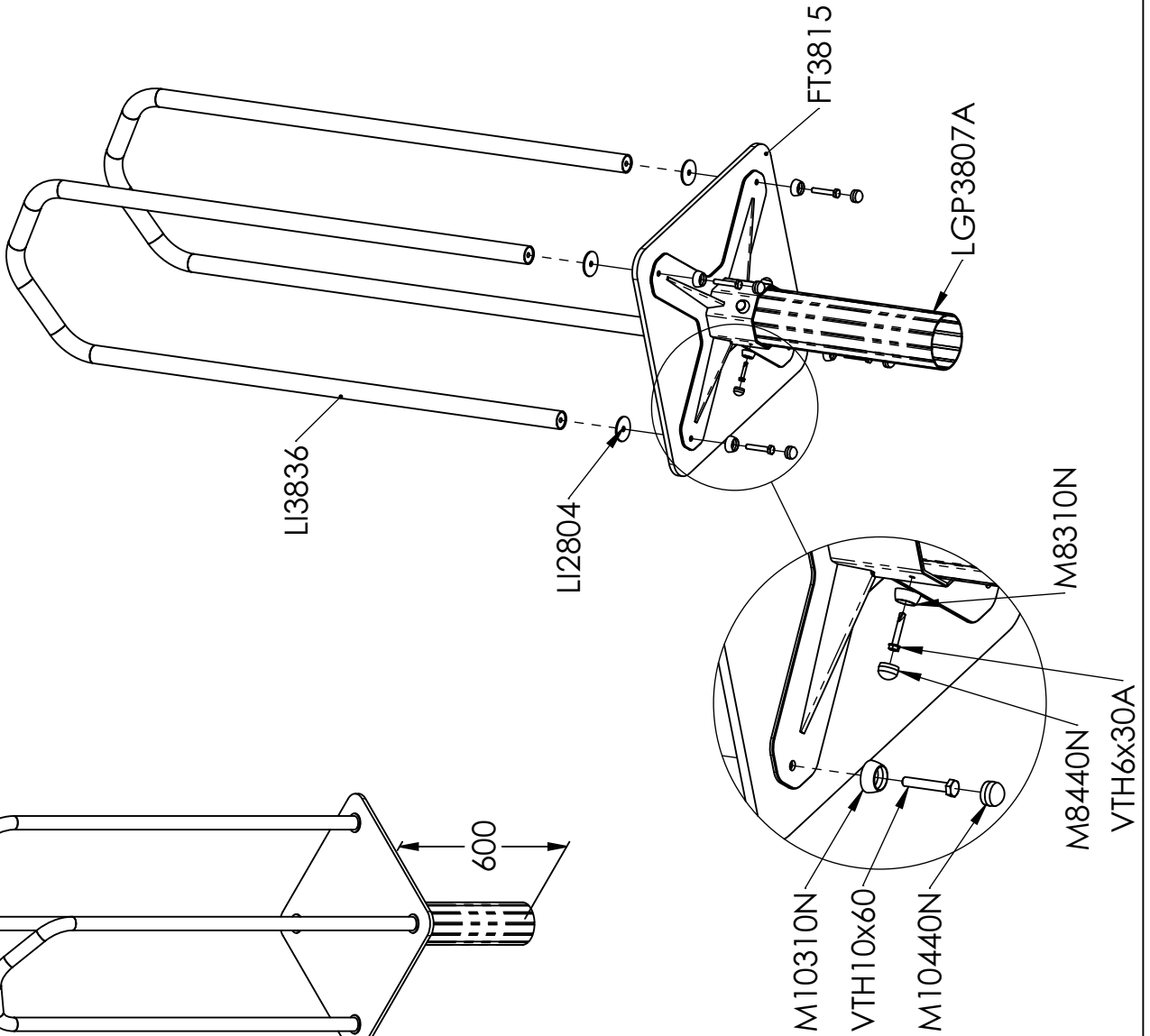
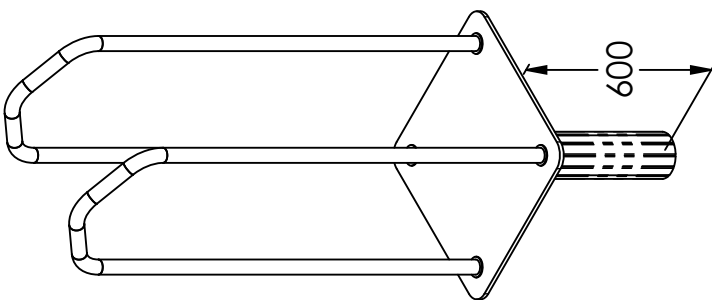
< 1500 Kgs/M³



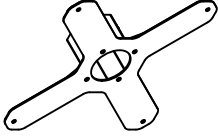
50 Kgs



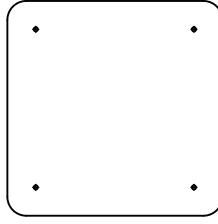
90 Kgs



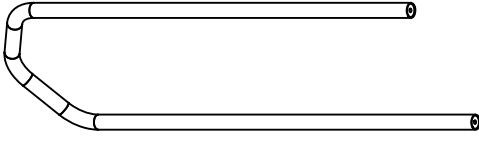
LG3810



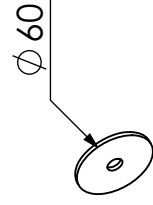
FT3815



L13836

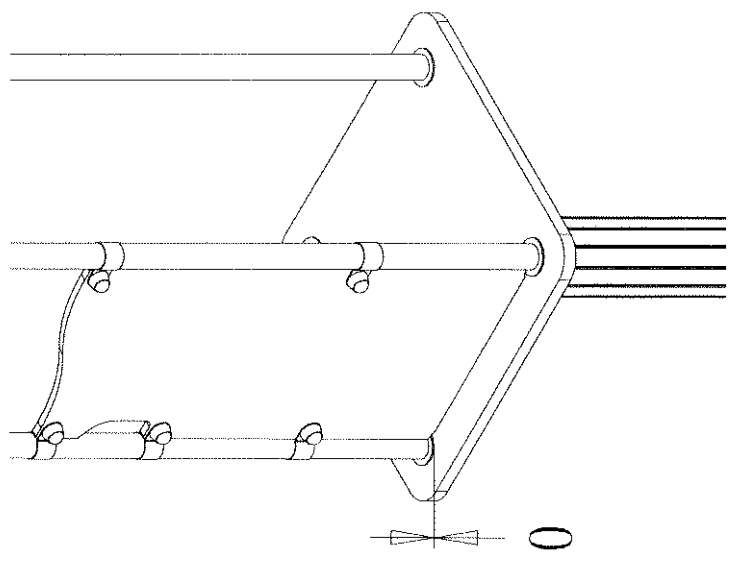
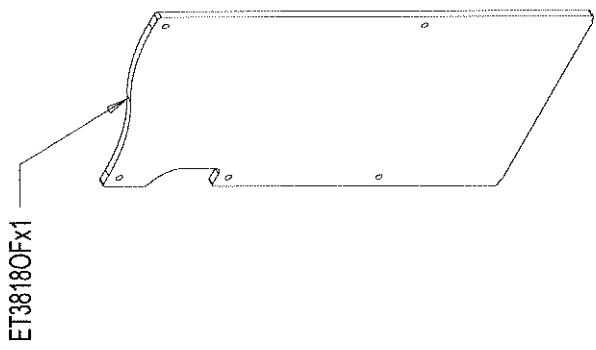
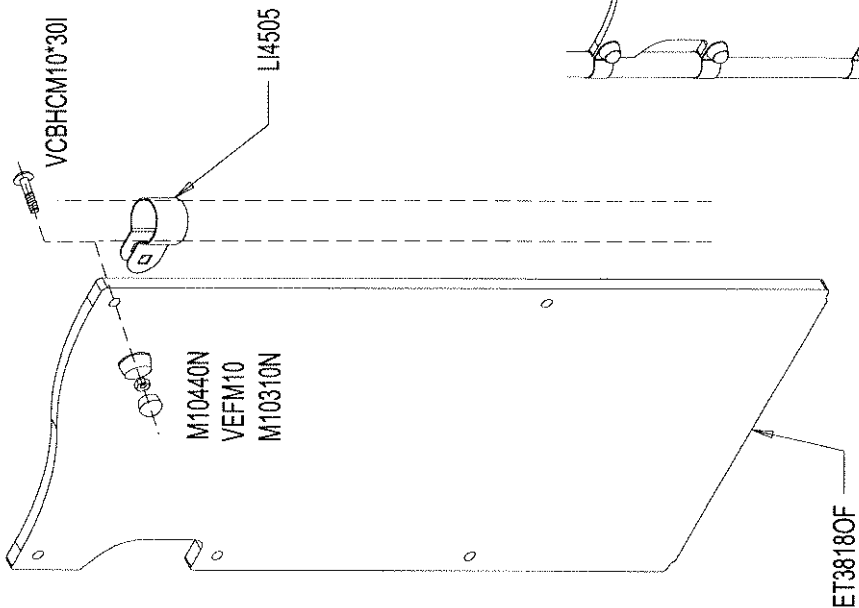


LGP3807A

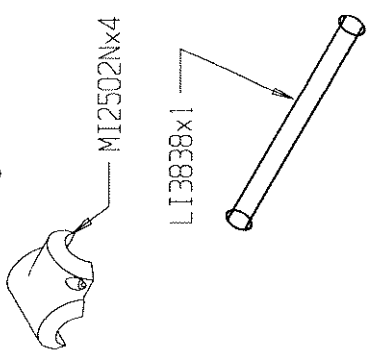
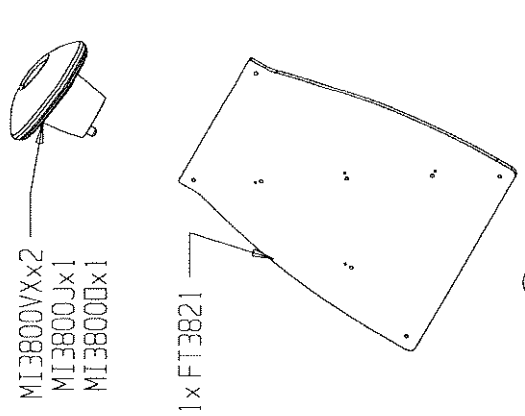
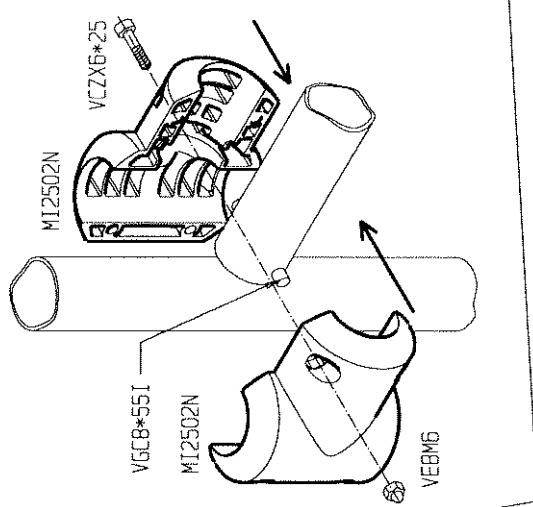
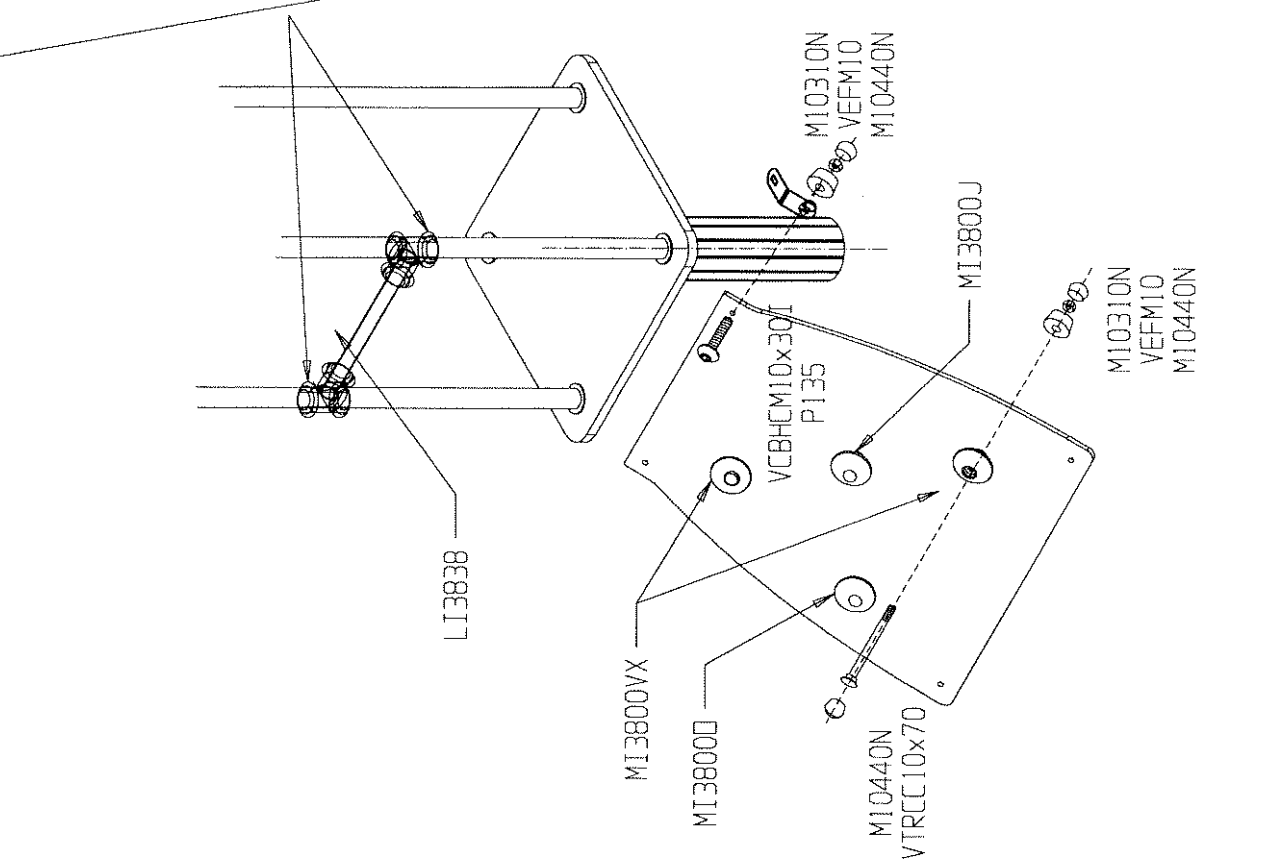


L12804

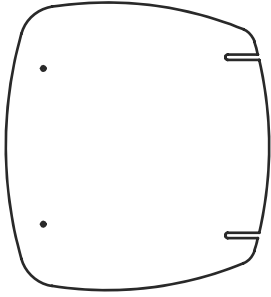
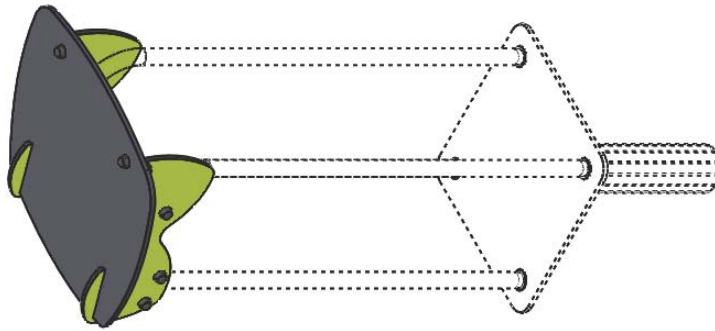
Réf	Qte
FT3815	1
LG3810	1
LGP3807A	1
L12804	4
L13836	2
M8310N	4
M8440N	4
M10310N	4
M10440N	4
VTH6x30A	4
VTH10x60	4



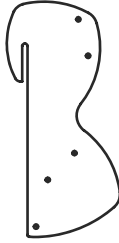
	VEFM10	5
	VCBHCM10*30I	5
	M10310N	5
	M10440N	5
	LI4505	5



	MI0310N	6
	MI10440N	10
	VCZX 6x25	8
	VEBM6	8
	VEFM10	6
	VTRCC10x70	4
	VCBHEM10x30I	2
	70 mm	
	135° :P135	2



ET38703GA



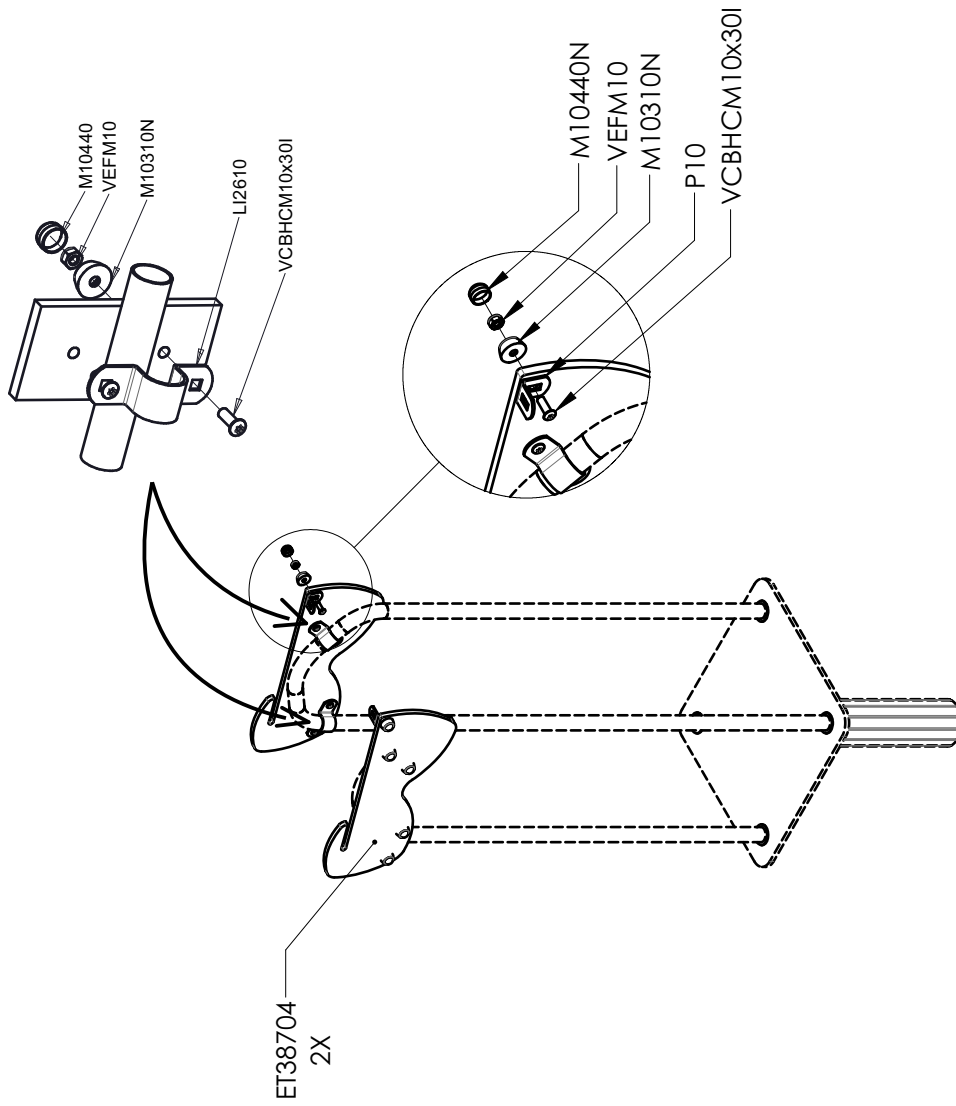
ET38704PV



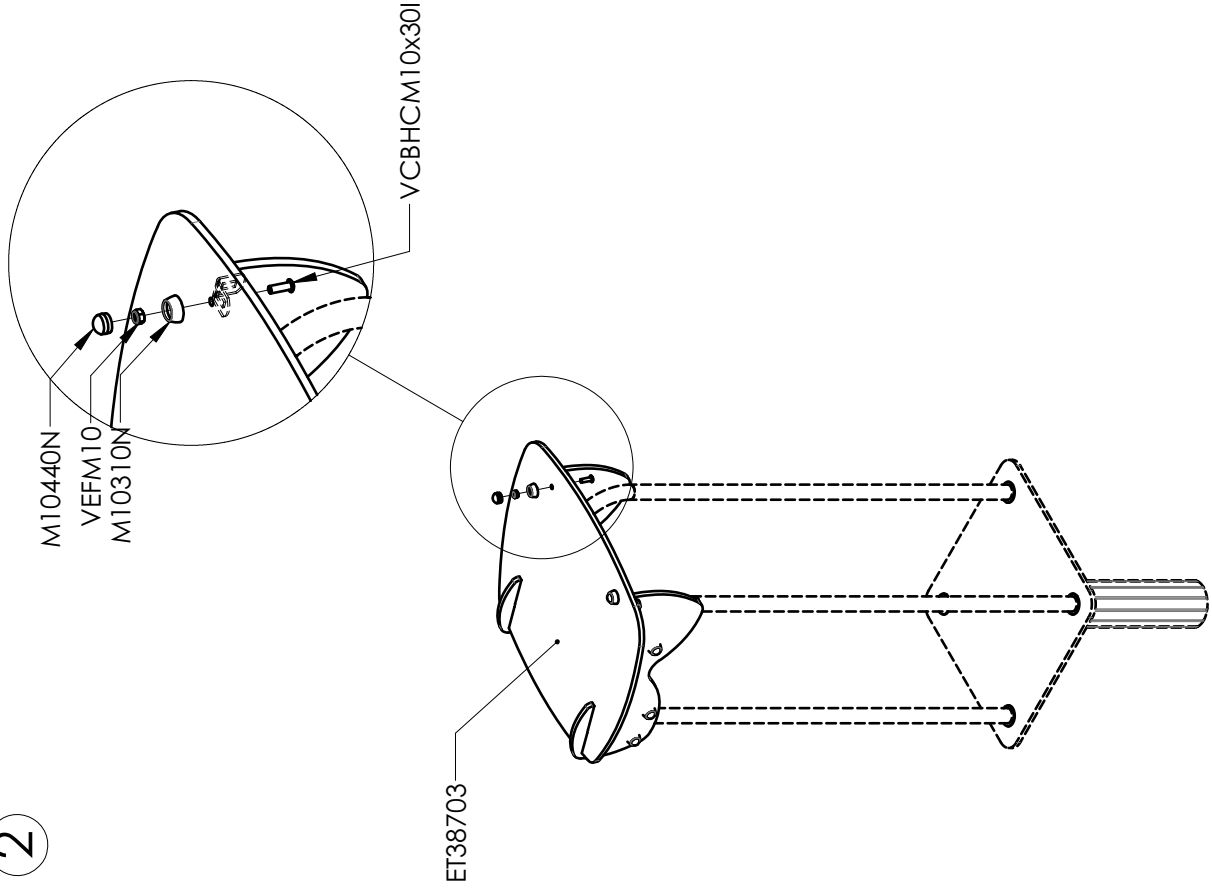
LI2610

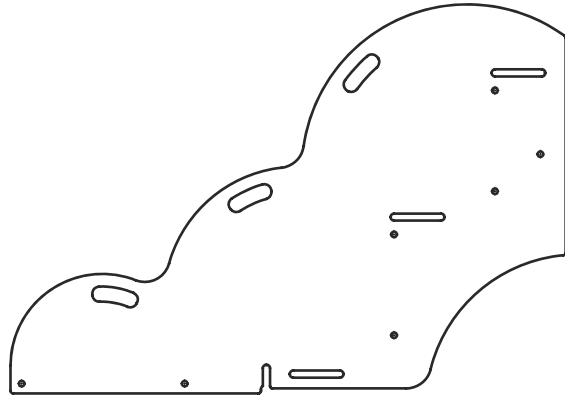
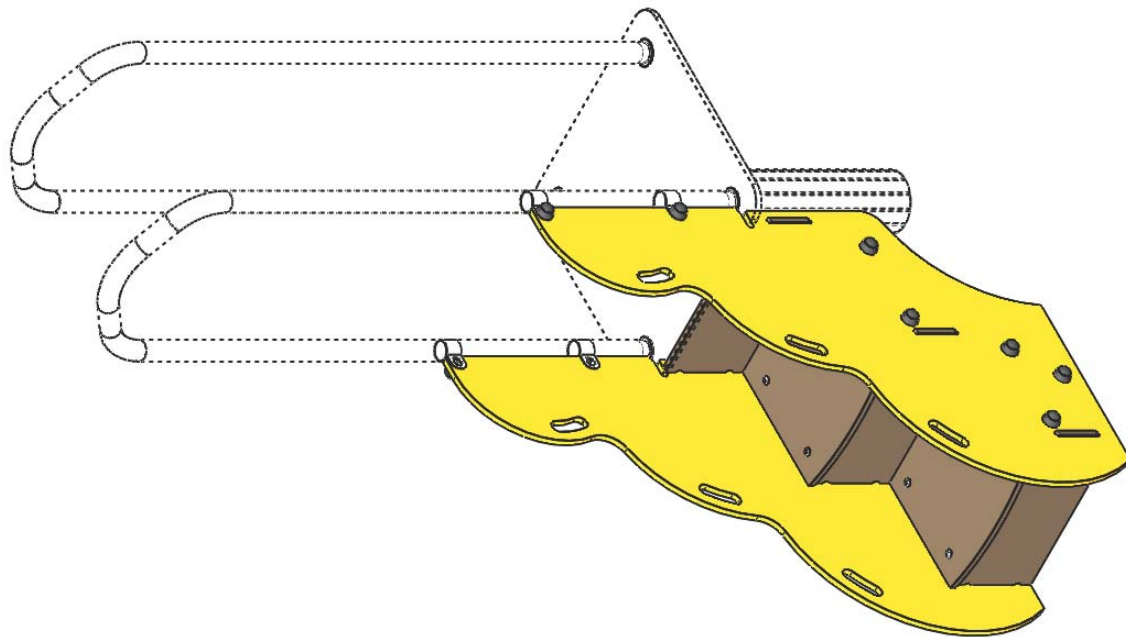
Réf	Qté
ET38703GA	1
ET38704PV	2
LI2610	4
M10310N	12
M10440N	12
P10	2
VCBHC10x30I	12
VEFM10	12

1

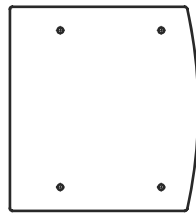


2

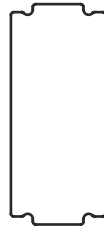




ET38706J



FT38708



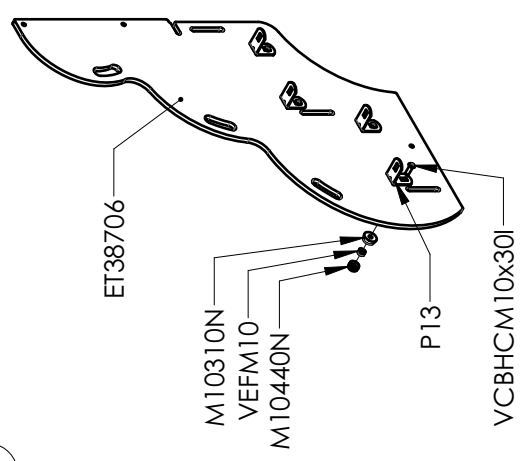
FT38709



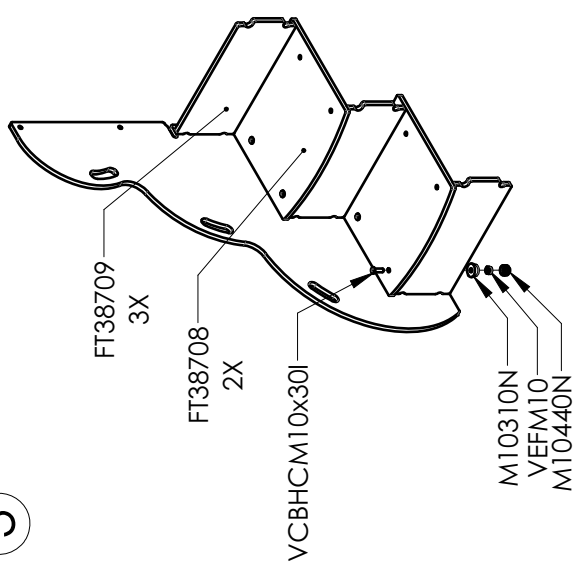
LI4505

Réf	Qté
ET38706J	2
FT38708	2
FT38709	3
LI4505	4
M10310N	22
M10440N	22
P13	8
VCBHC10x30I	22
VEFM10	22

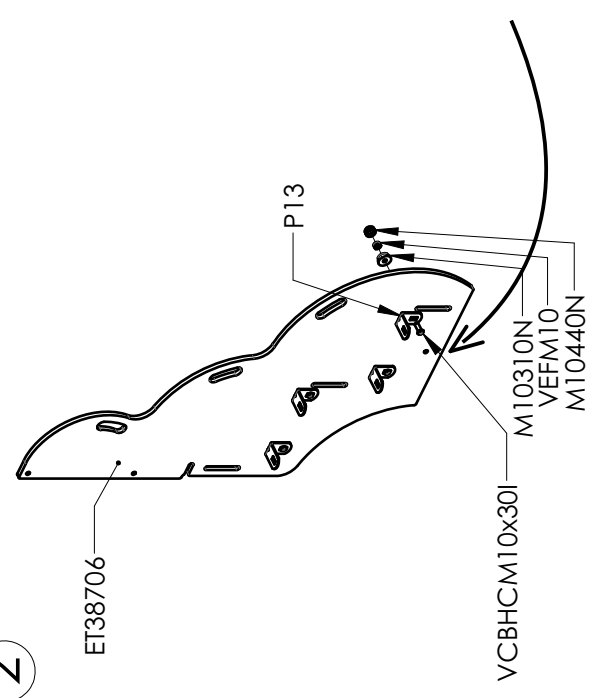
1



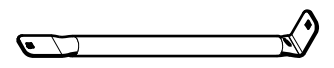
3



2

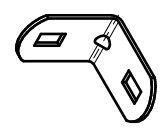


.....A



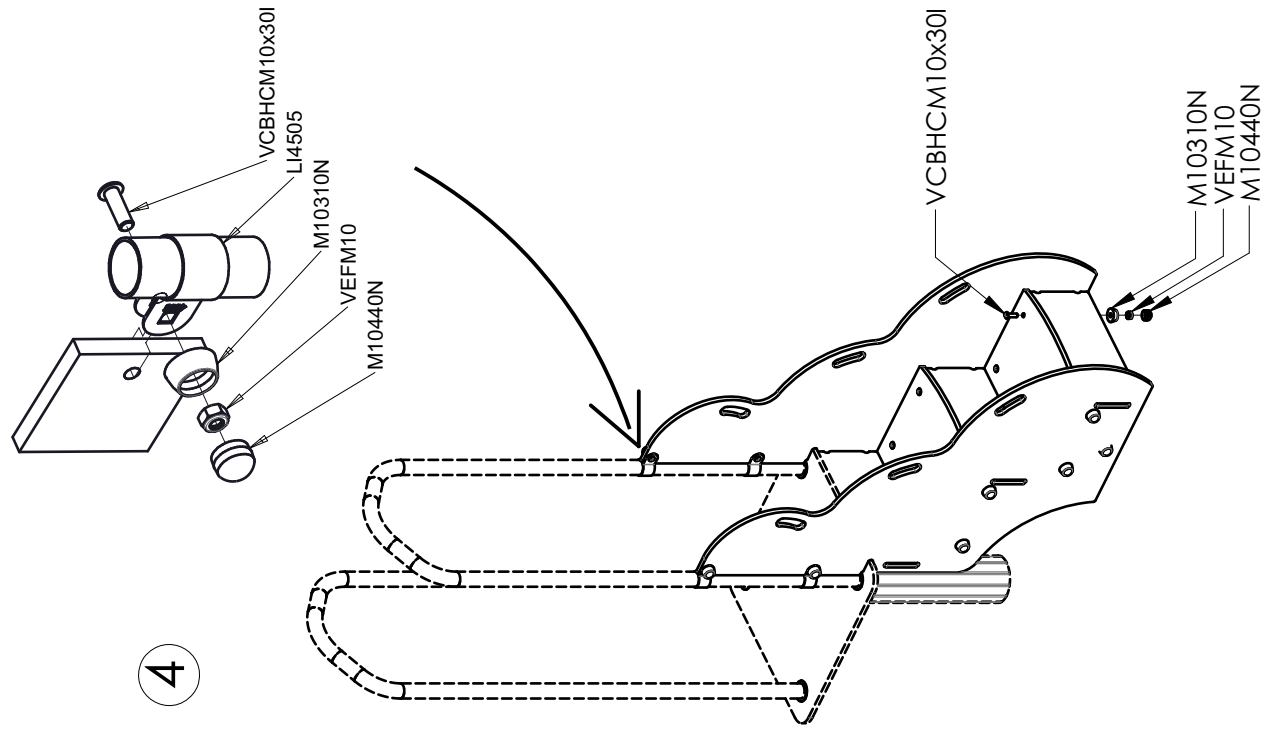
LG08

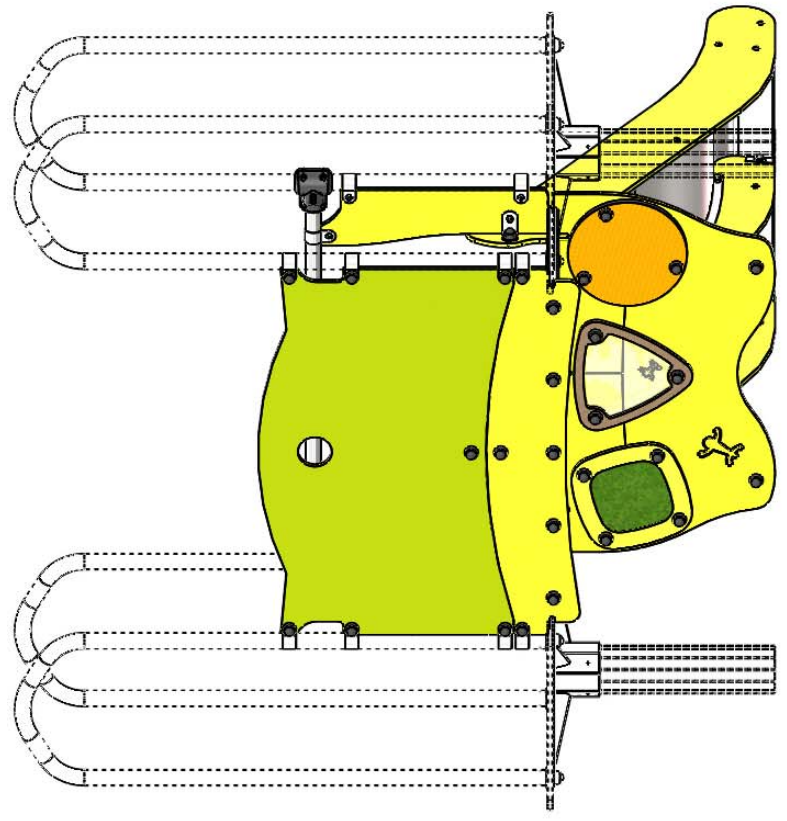
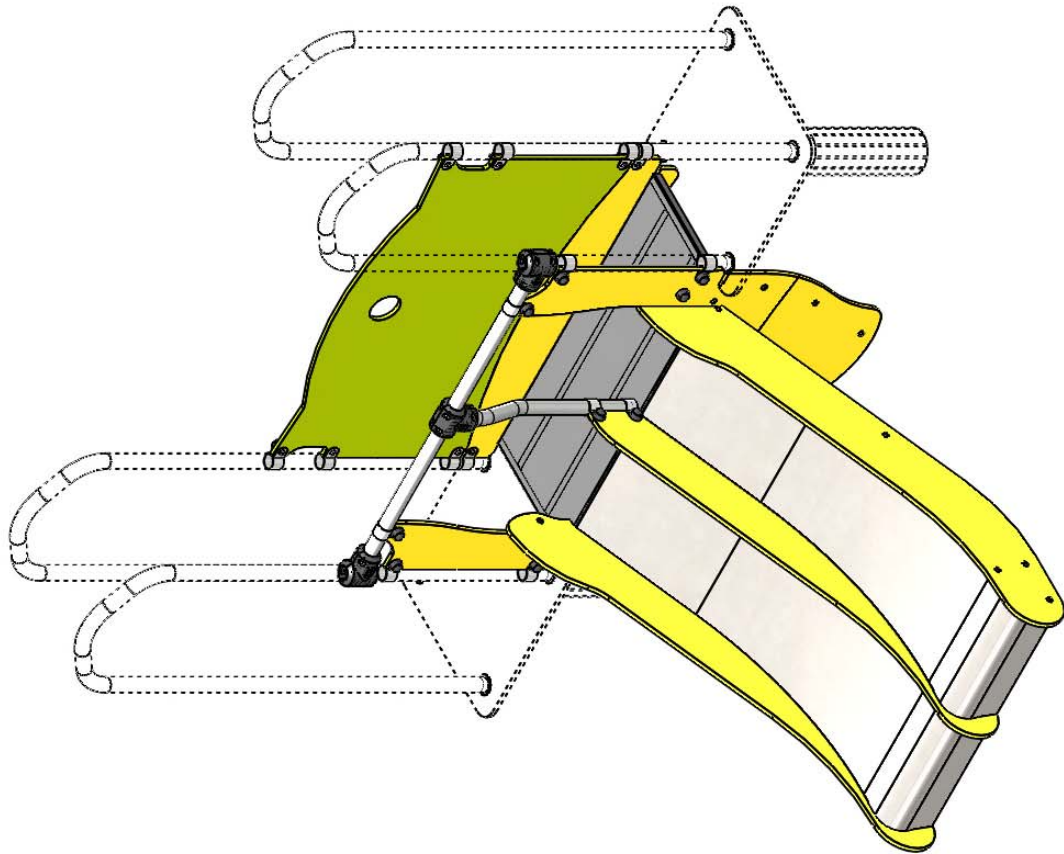
.....B

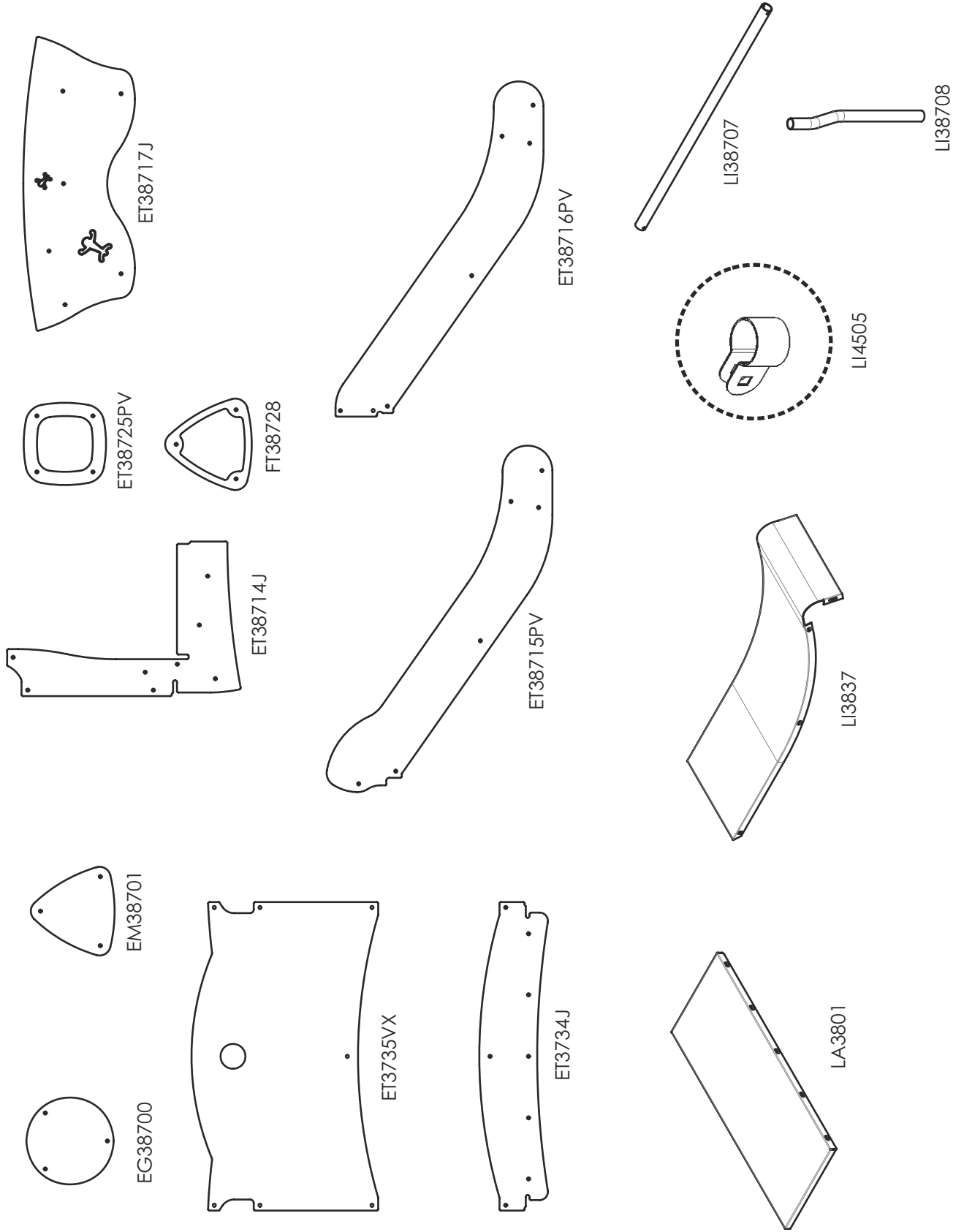


P13

4

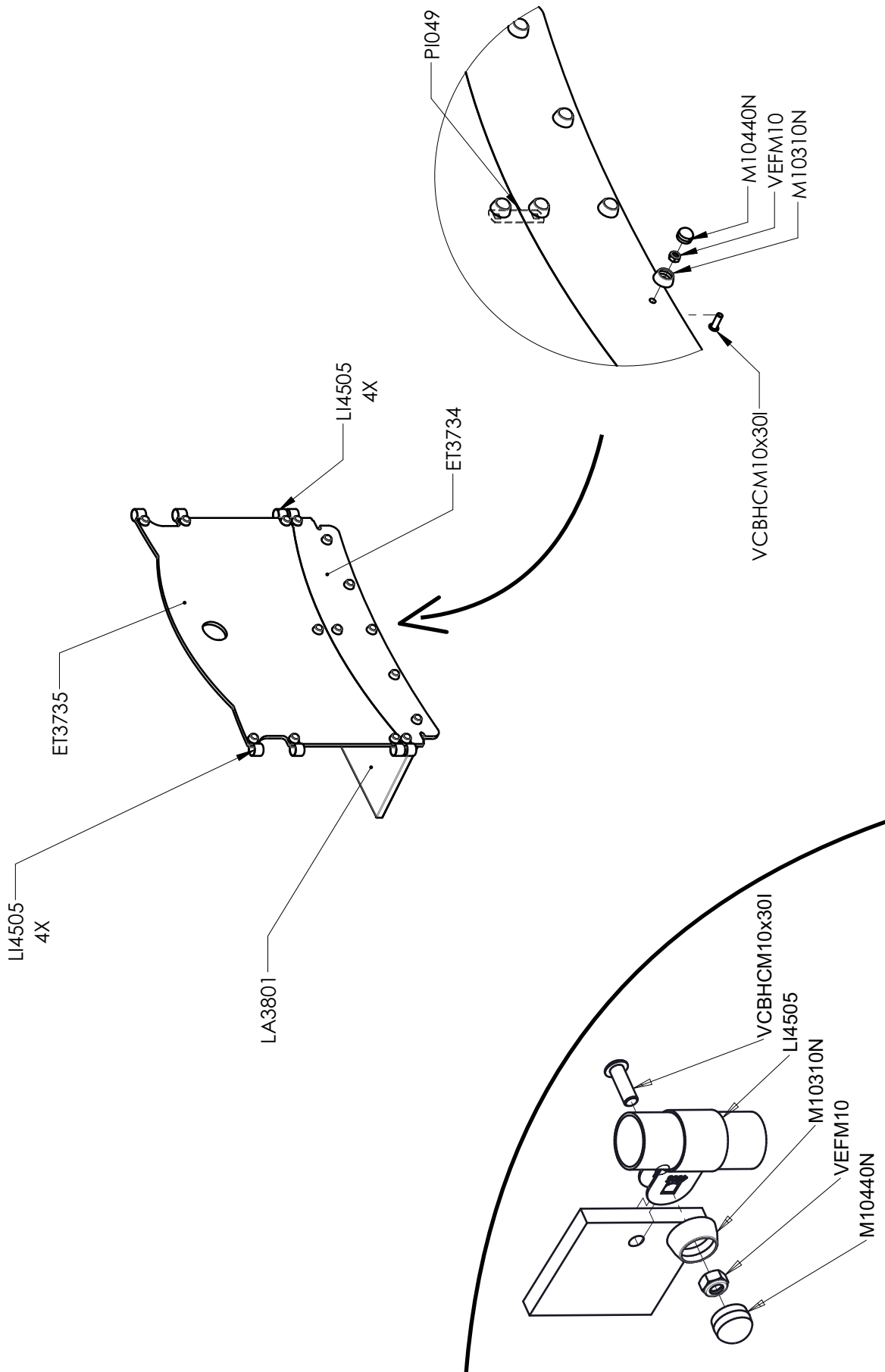




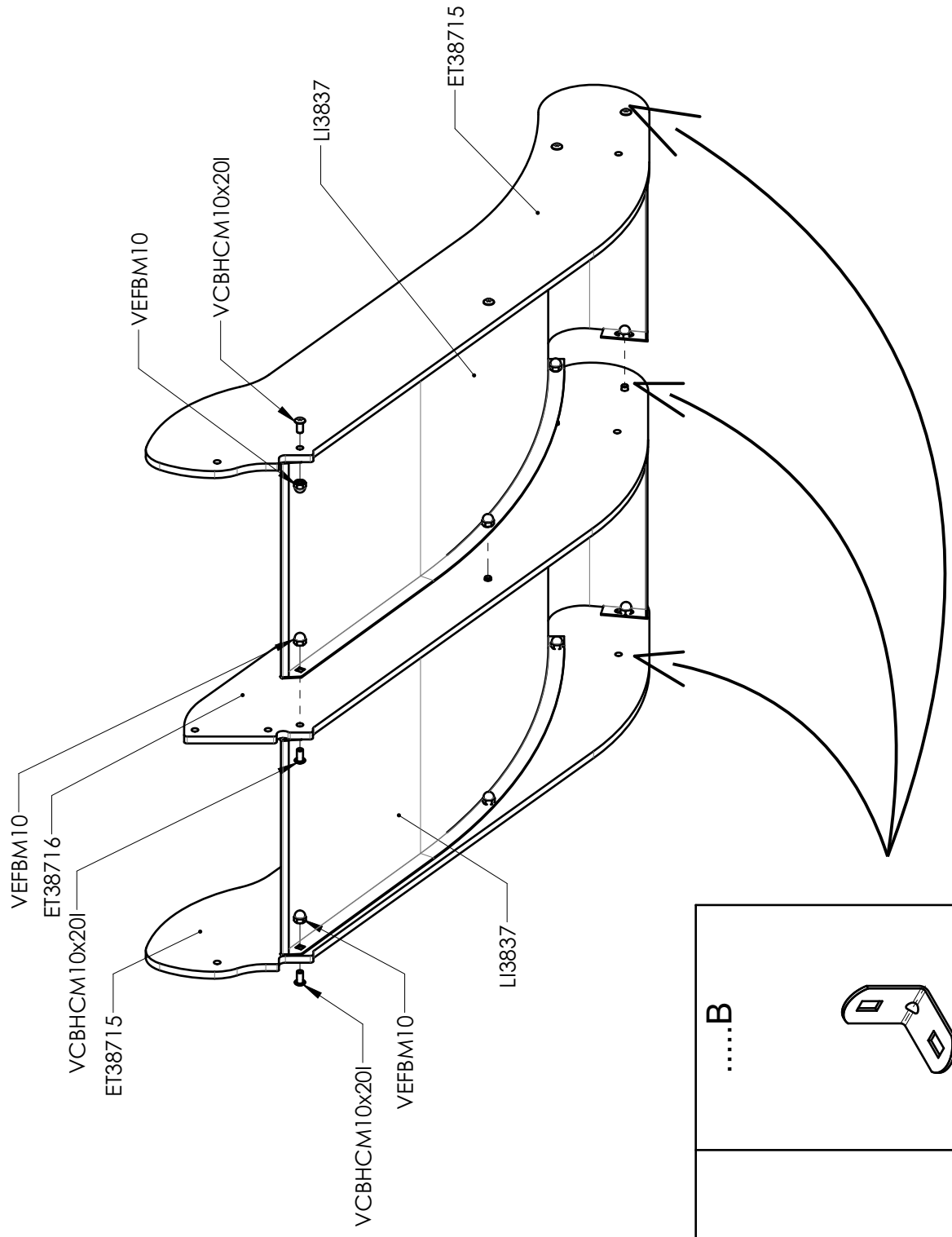


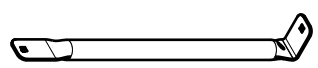
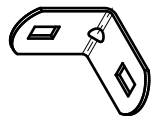
Réf	Qté
EG38700	1
EM38701	1
ET3734J	1
ET3735VX	1
ET38714J	2
ET38715PV	2
ET38716PV	1
ET38717J	1
ET38725PV	1
FT38728	1
LA3801	1
LI3837	2
LI4505	16
LI38707	1
LI38708	1
M10310N	43
M10440N	43
M12502N	6
P20	2
PI049	1
R38701	1
VCBHC6x25I	12
VCBHC10x20I	14
VCBHC10x30I	32
VCBHC10x40I	7
VCBHC10x50I	3
VEBM6	12
VEFBM10	14
VEFM10	42
VGC8x55I	3
VTH10x30	1

1

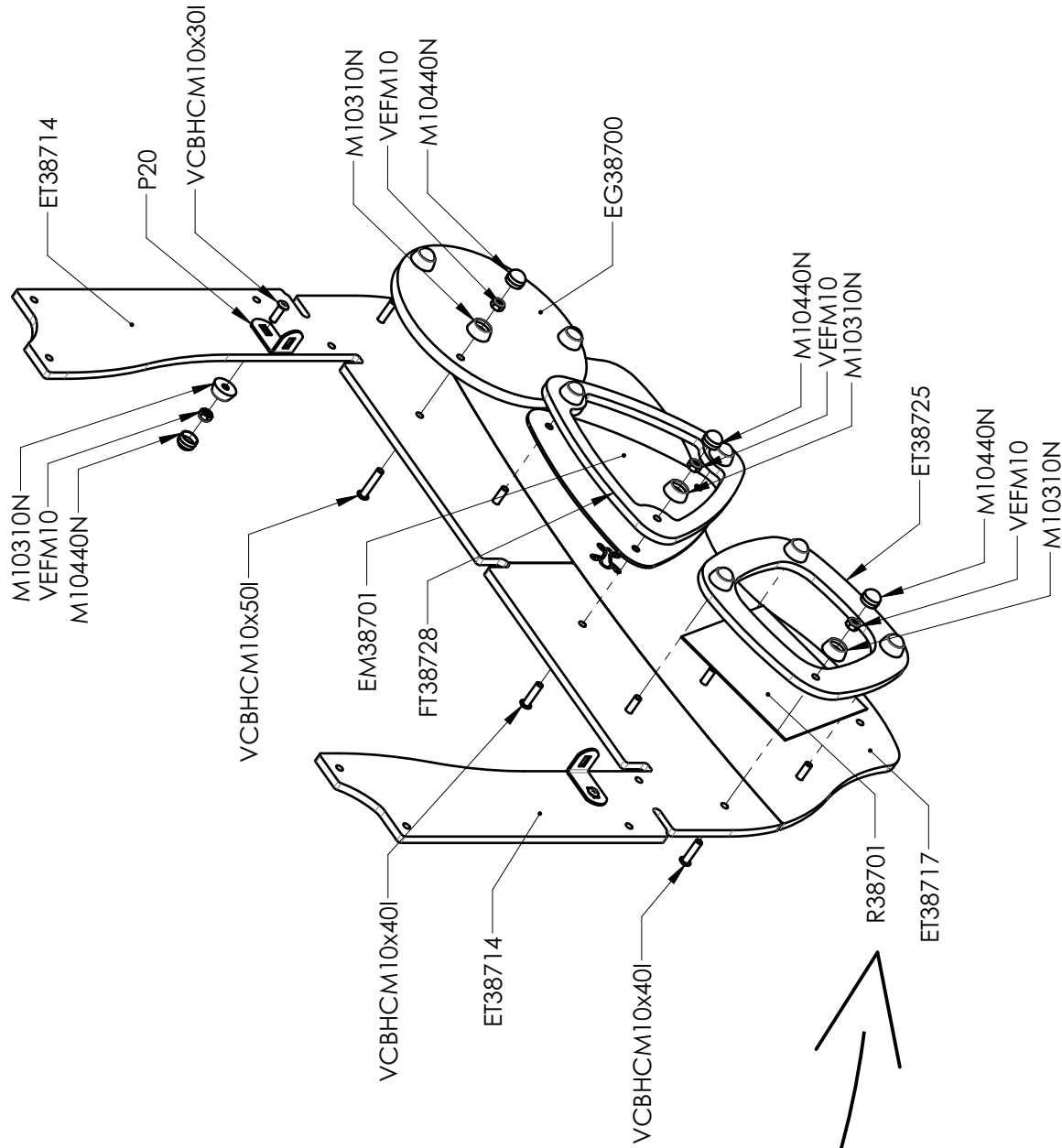
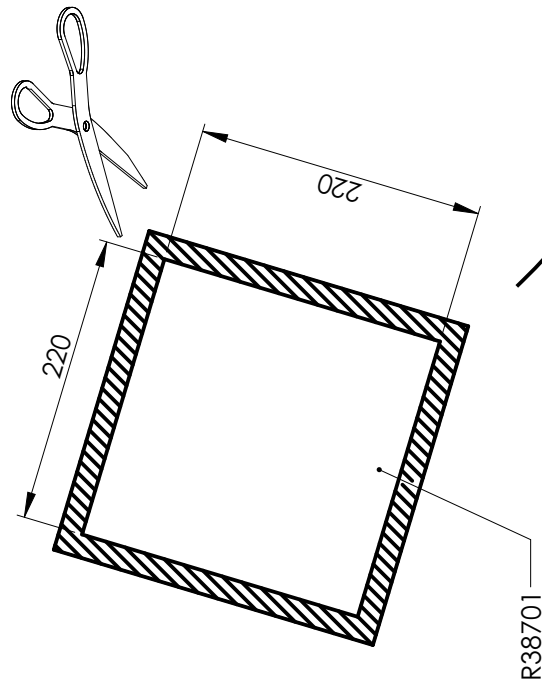


2

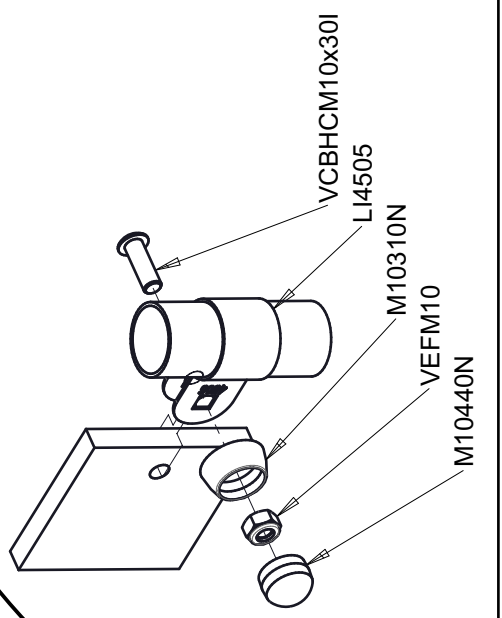
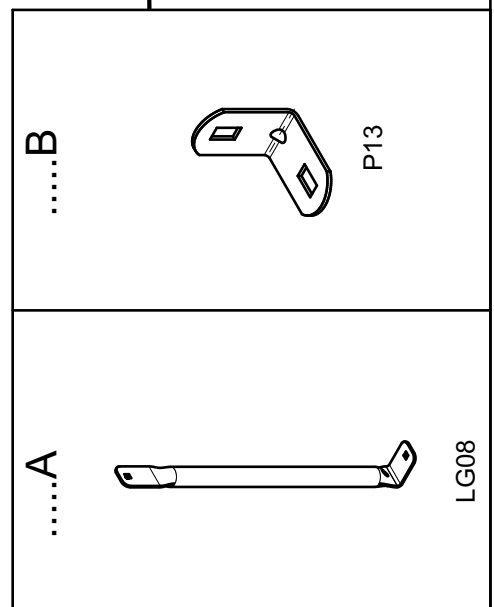
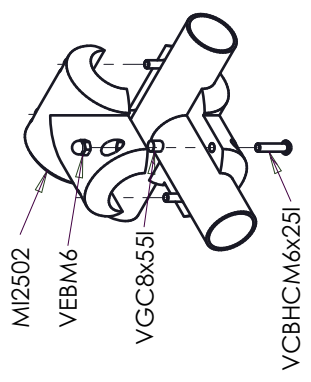
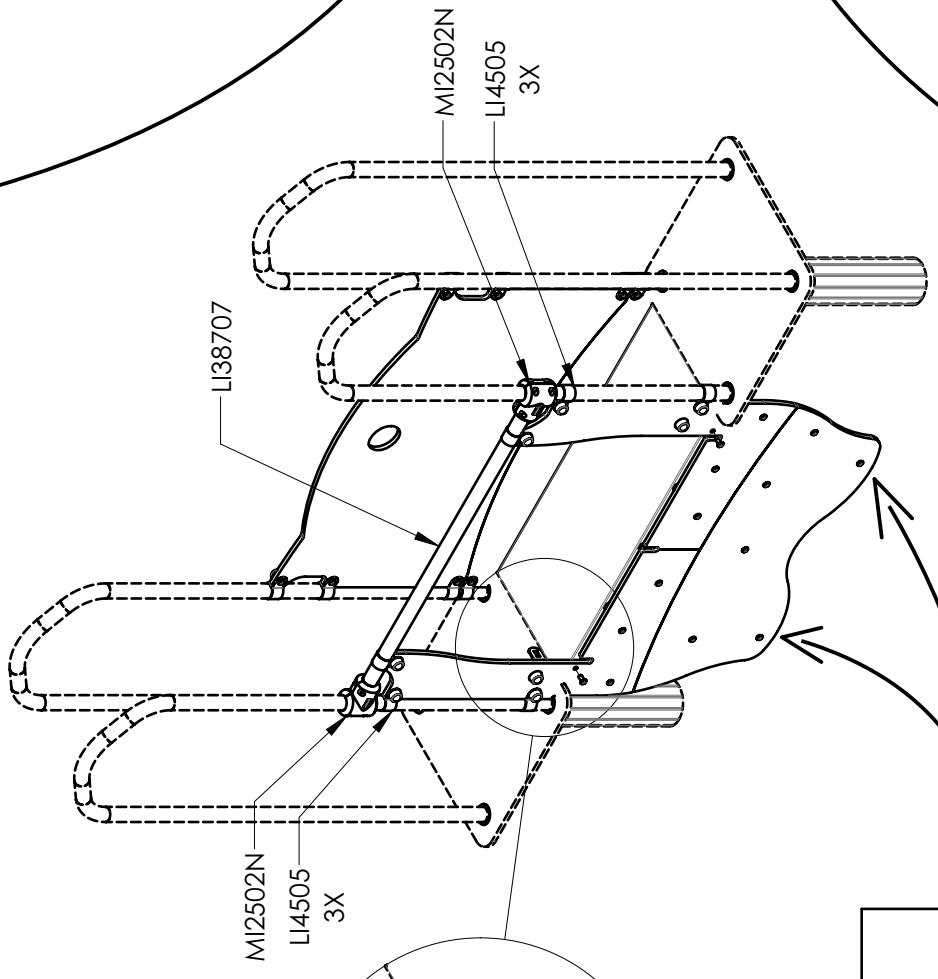


<p>.....A</p>  <p>LG08</p>	<p>.....B</p>  <p>P13</p>
---	--

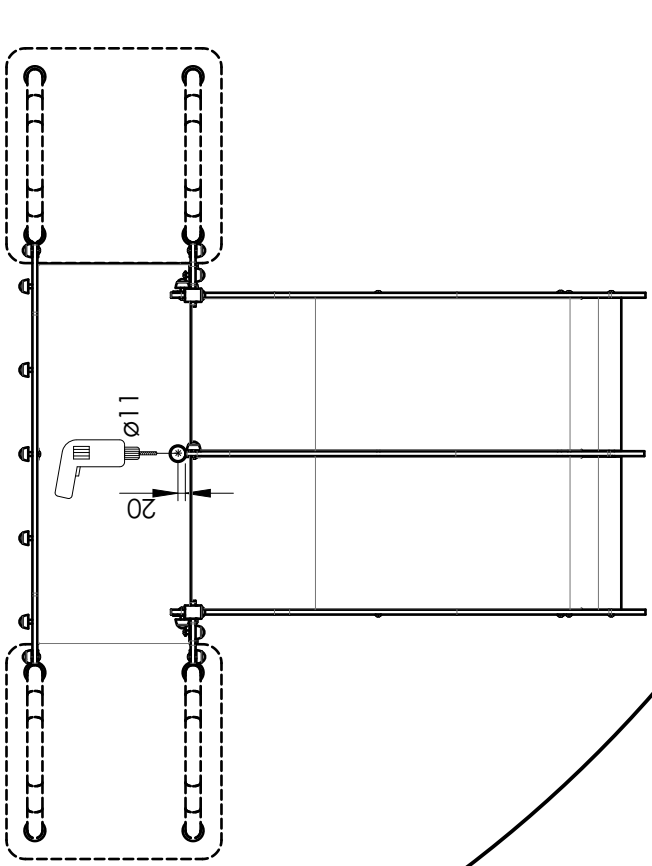
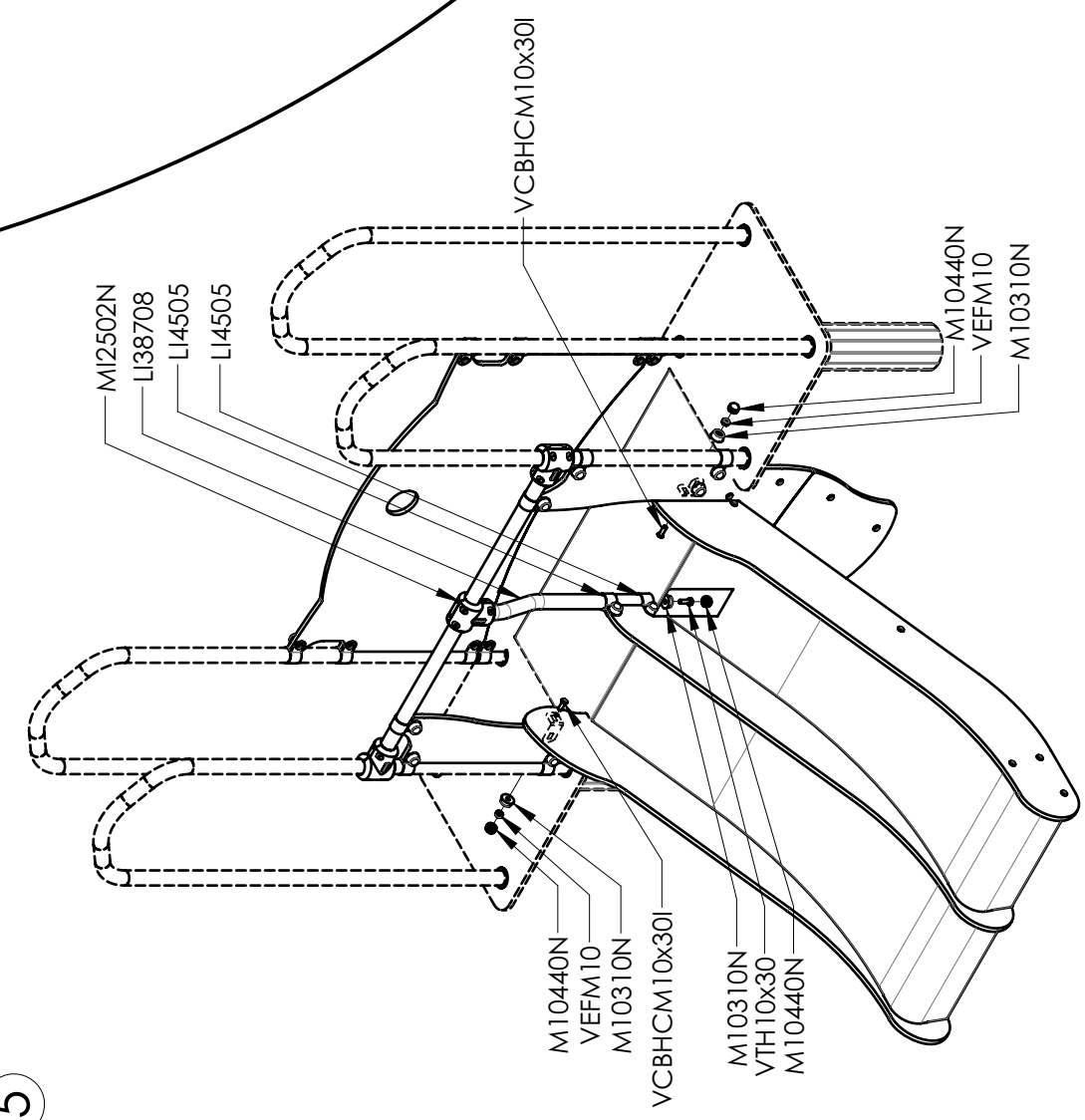
3

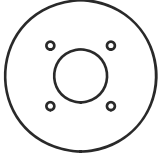
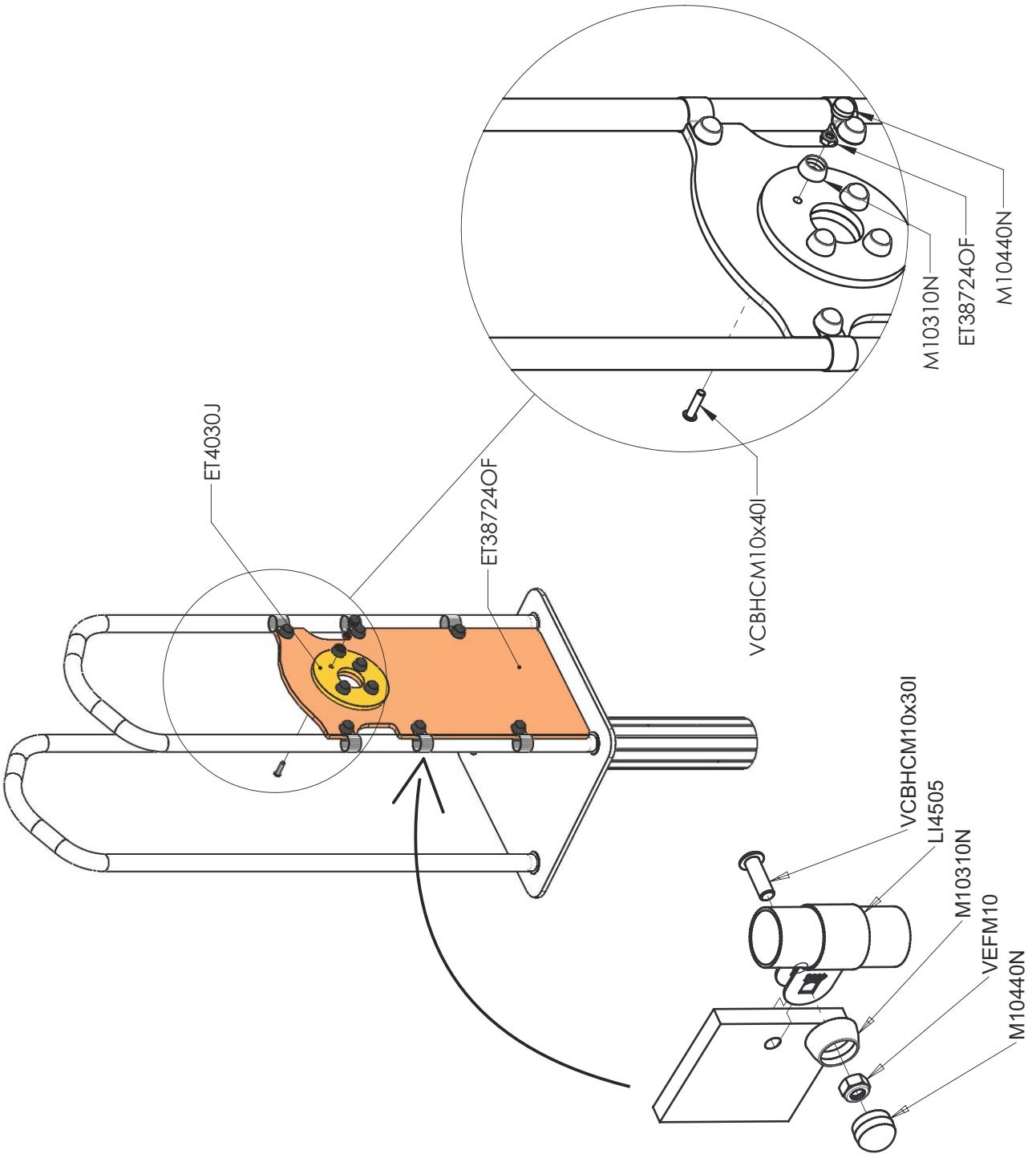


4

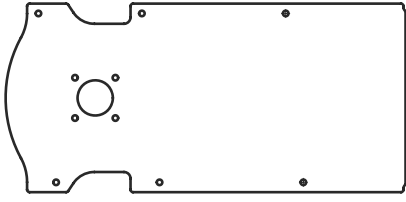


5





ET4030J



ET38724OF

Réf	Qté
ET4030J	1
ET38724OF	1
LI4505	6
M10310N	10
M10440N	10
VCBHCM10x30I	6
VCBHCM10x40I	4
VEFM10	10