

N°		
1	0.6 m	27 m ²

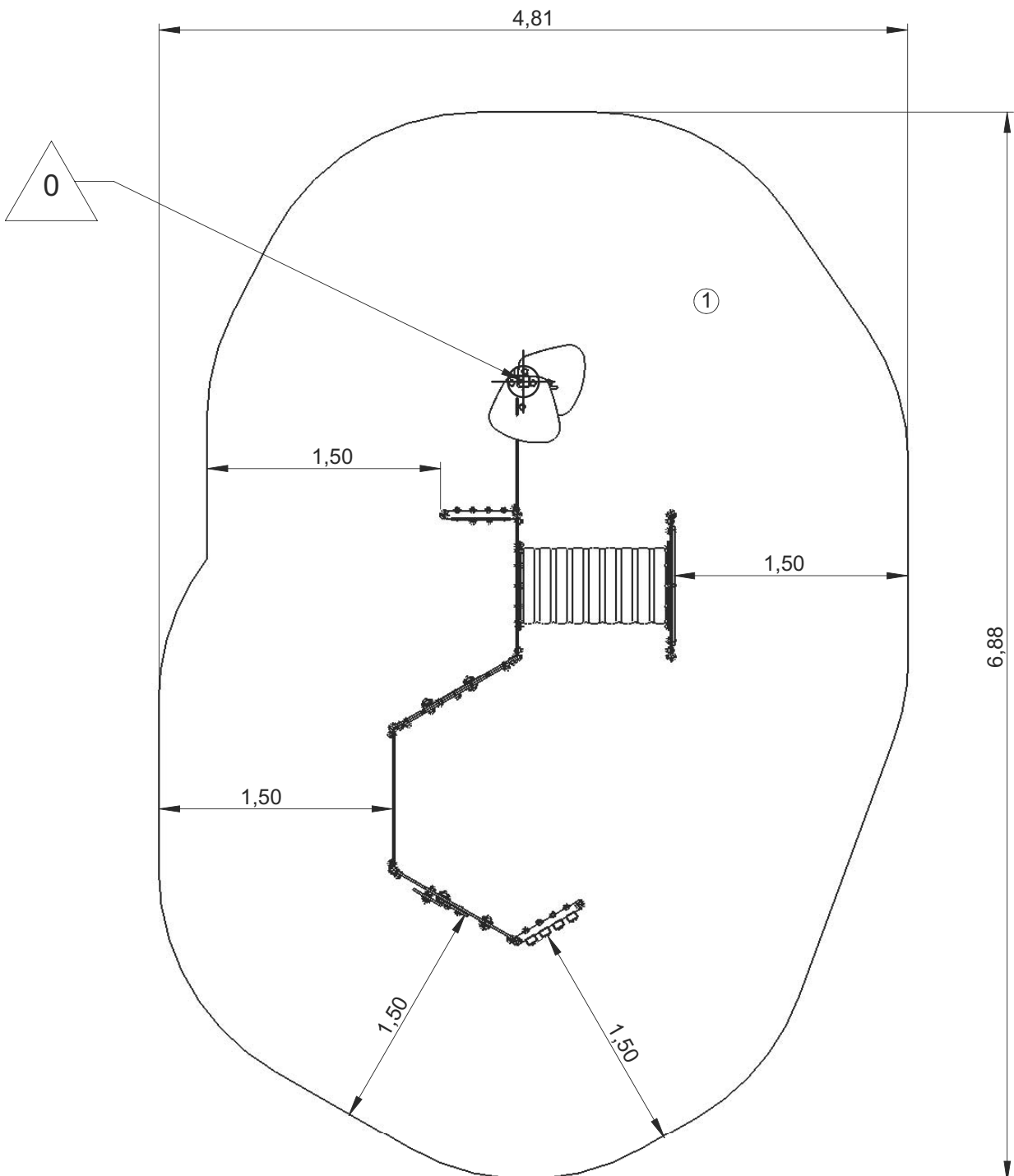
— Zone d'impact
Impact area
Area de impacto
Fallraum
Valzone

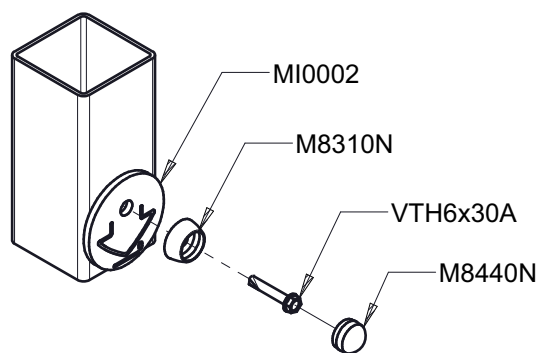
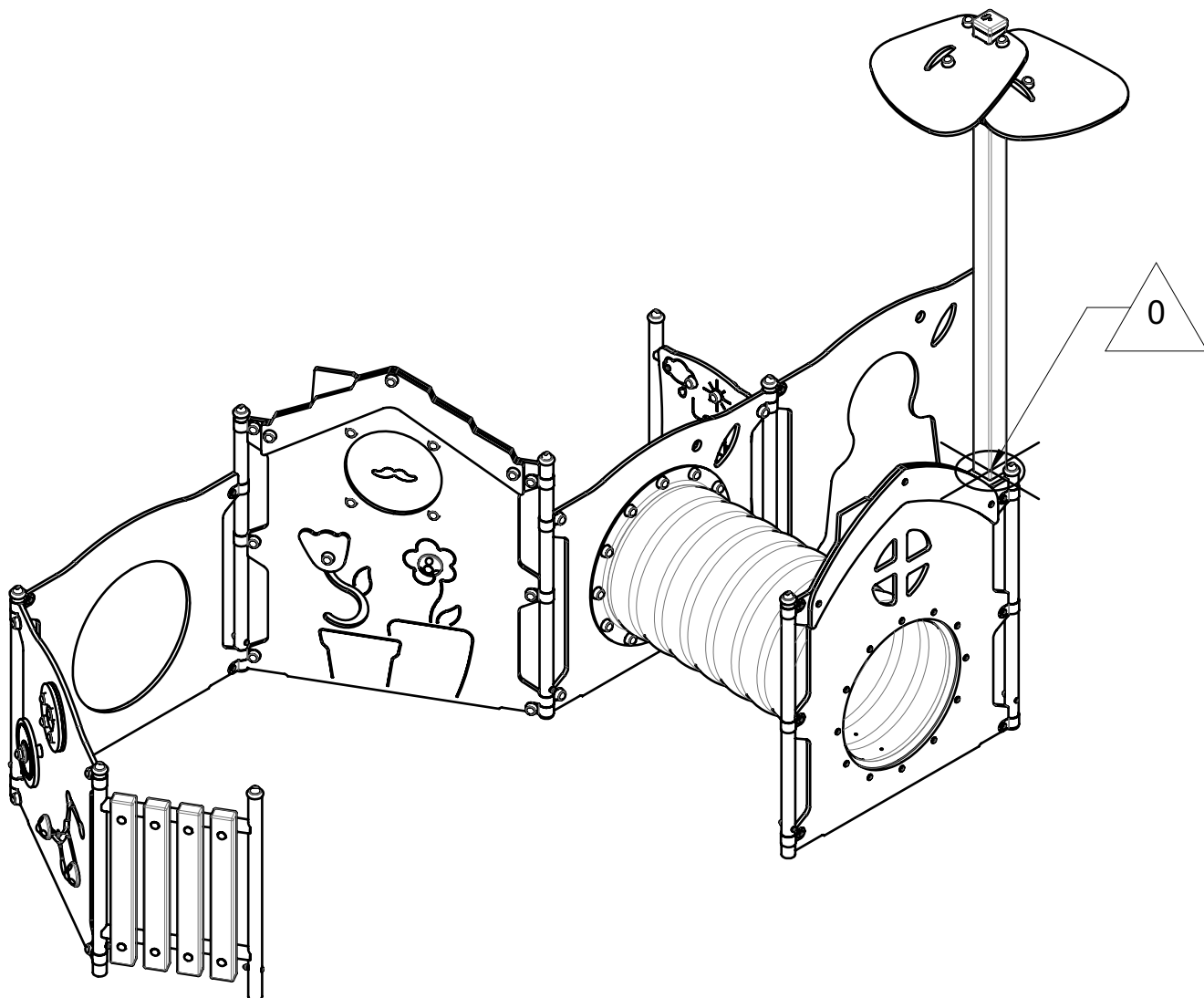


Point de référence
Setting out point
Punto de referencia
Bezugspunkt
Referentiepunt

- - - Espace libre
Free space
Espacio libre
Freiraum
Vrije ruimte

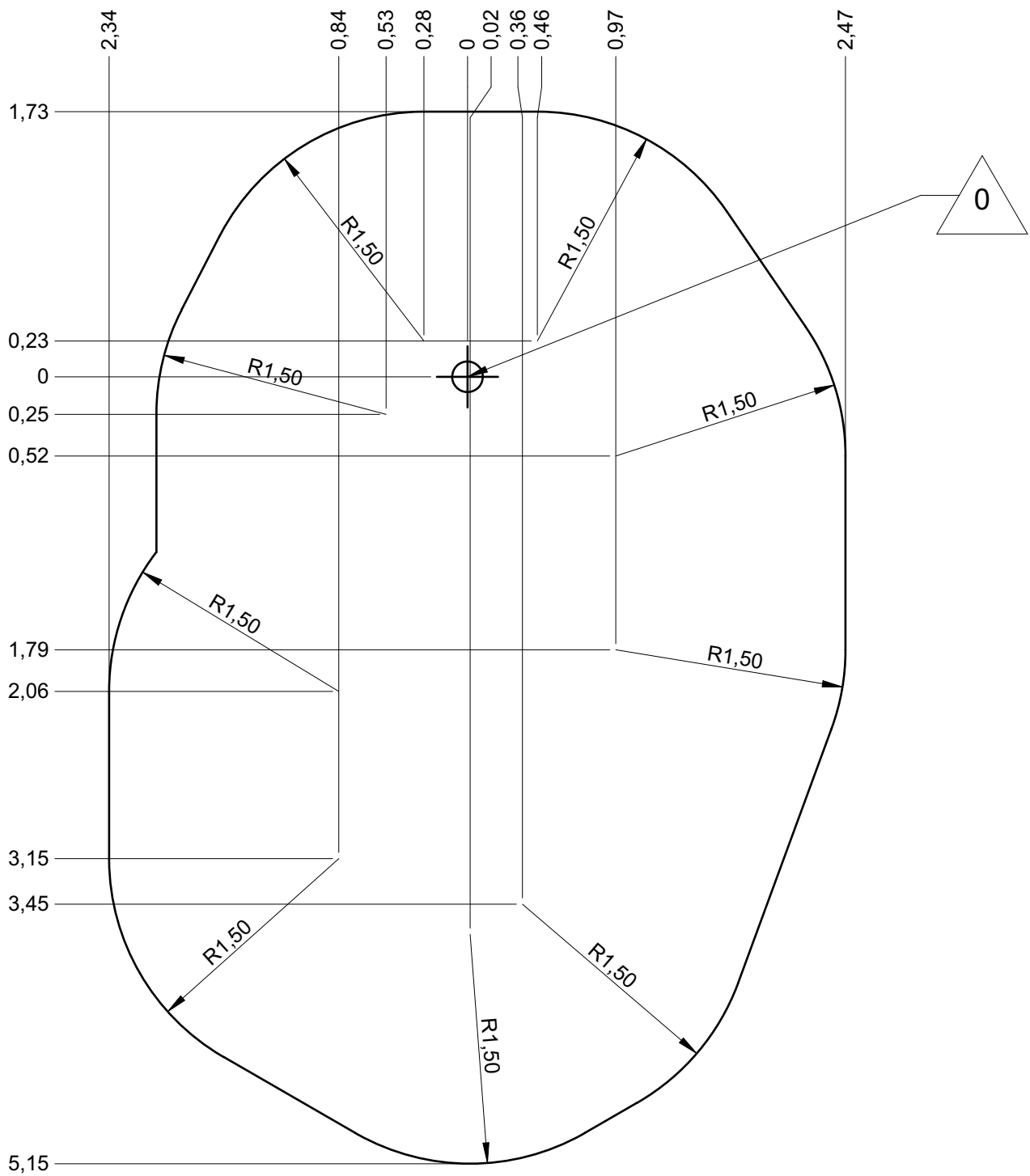
EN1176-1:2017





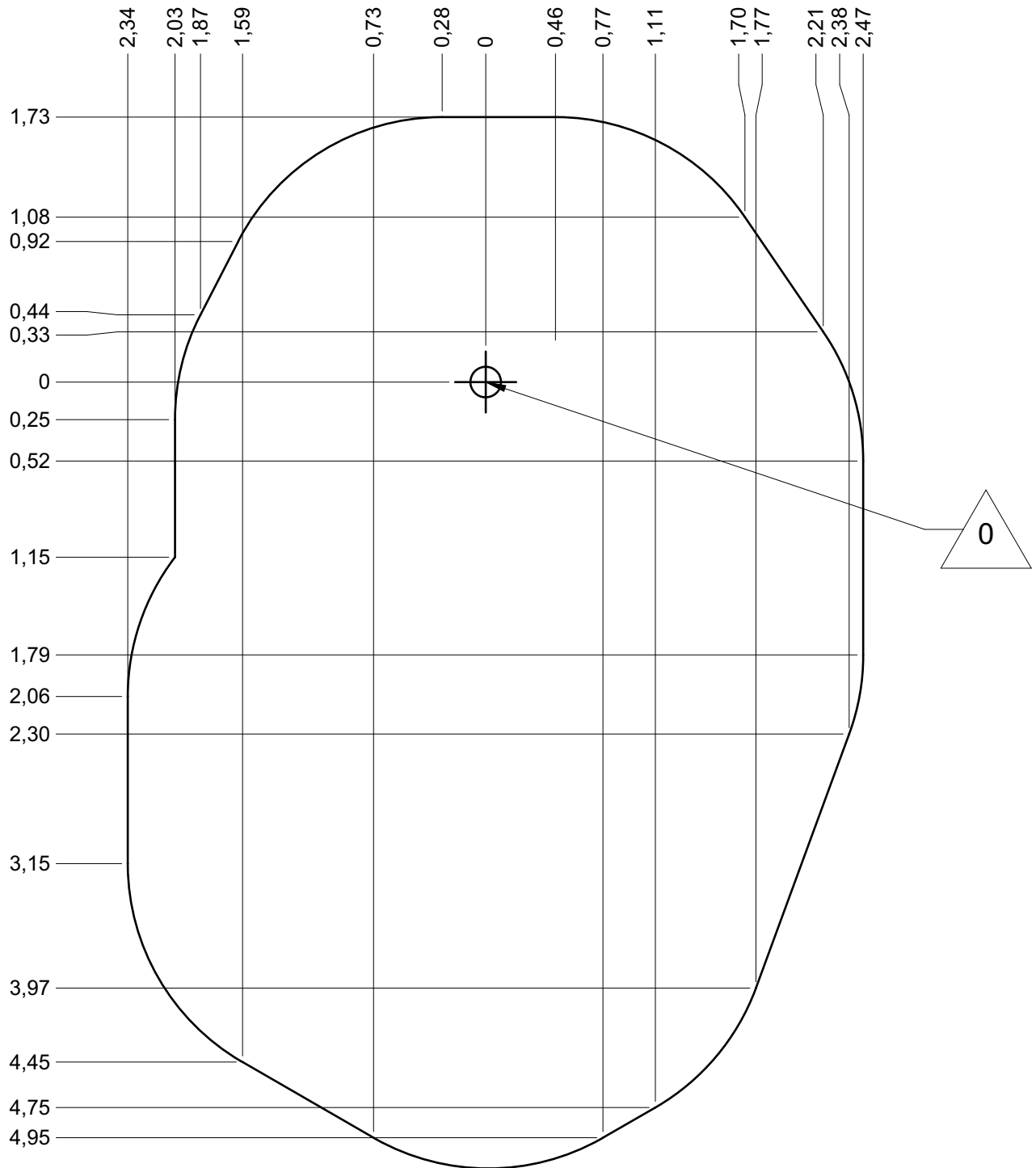
— Zone d'impact
 Impact area
 Area de impacto
 Fallraum
 Valzone

27 m²



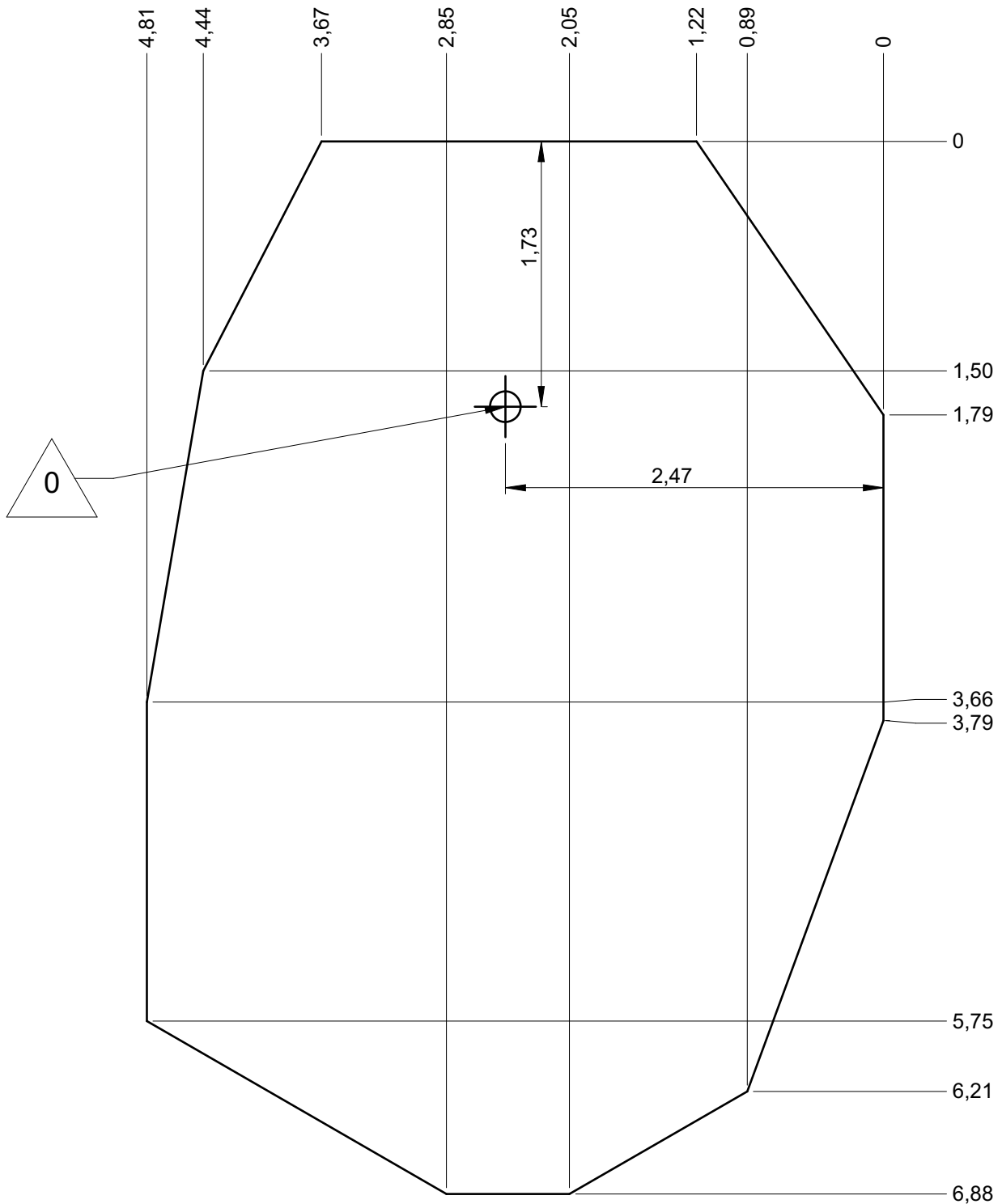
— Sol souple
 Wepour
 Caucho continuo
 Synthetischer Fallschutz
 Gietvloer

27 m²

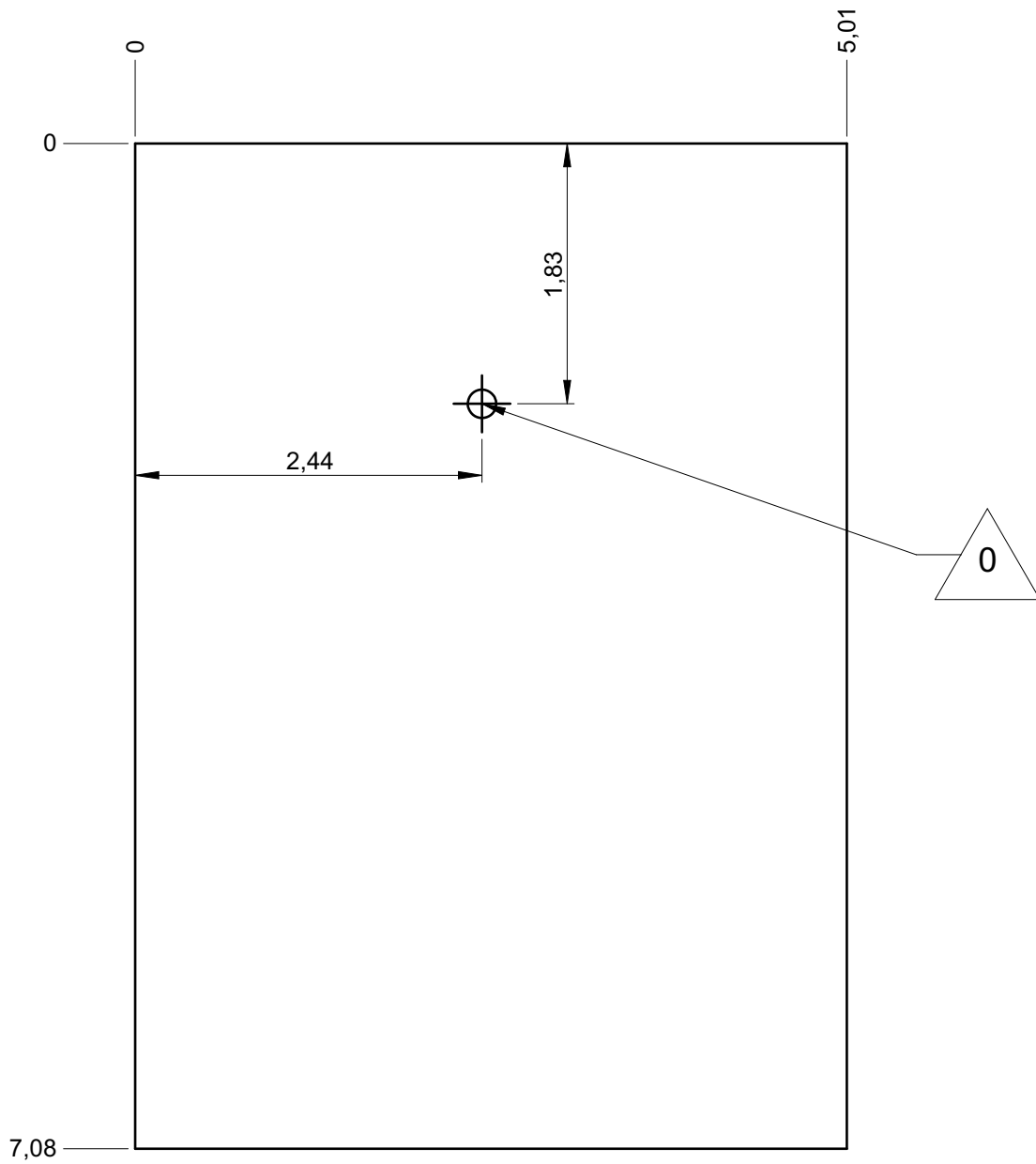


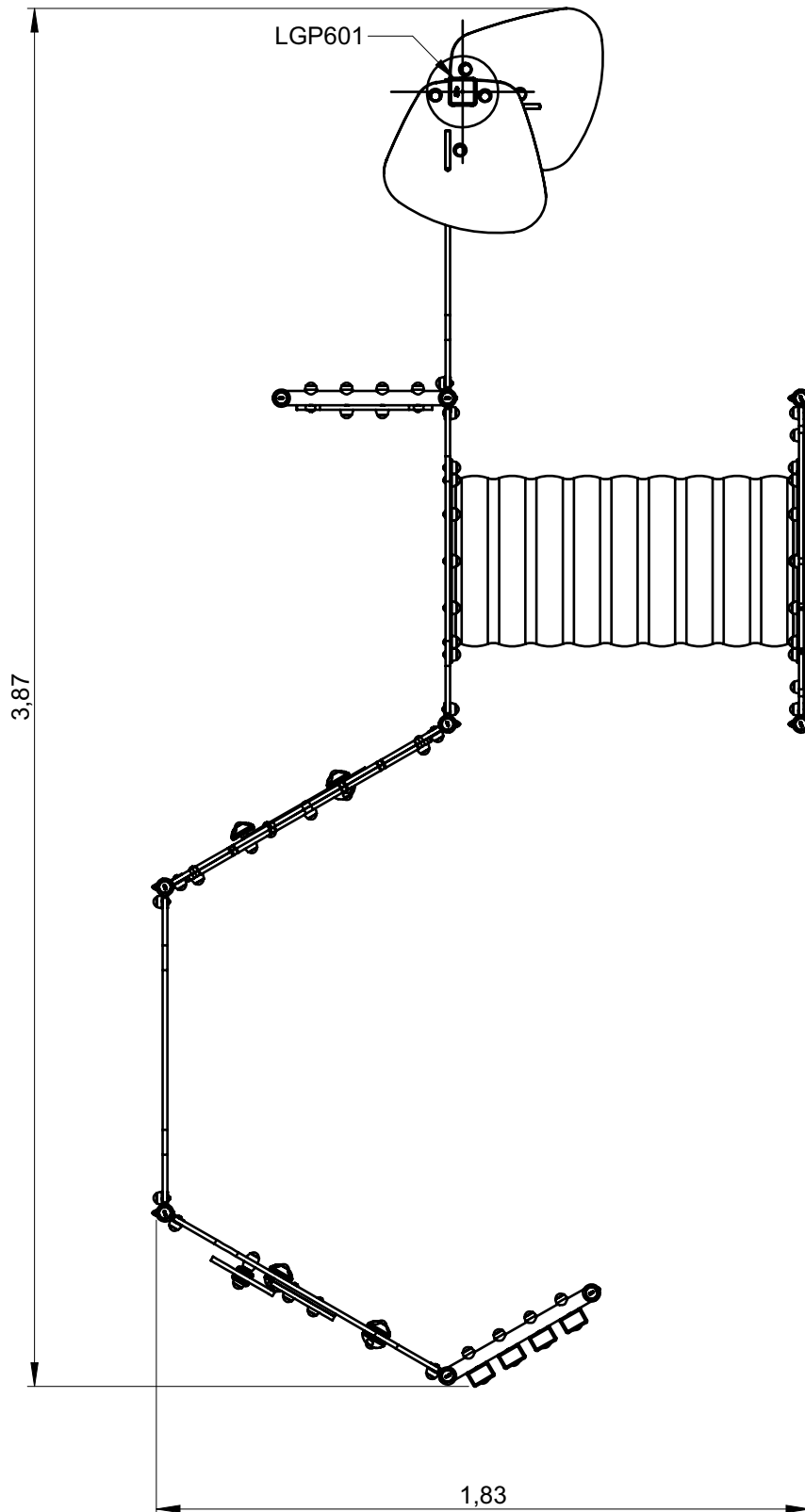
— Dalle béton
 Concrete pad
 Solera de hormigon
 Beton Bodenplatte
 Betonnen bodemplaat

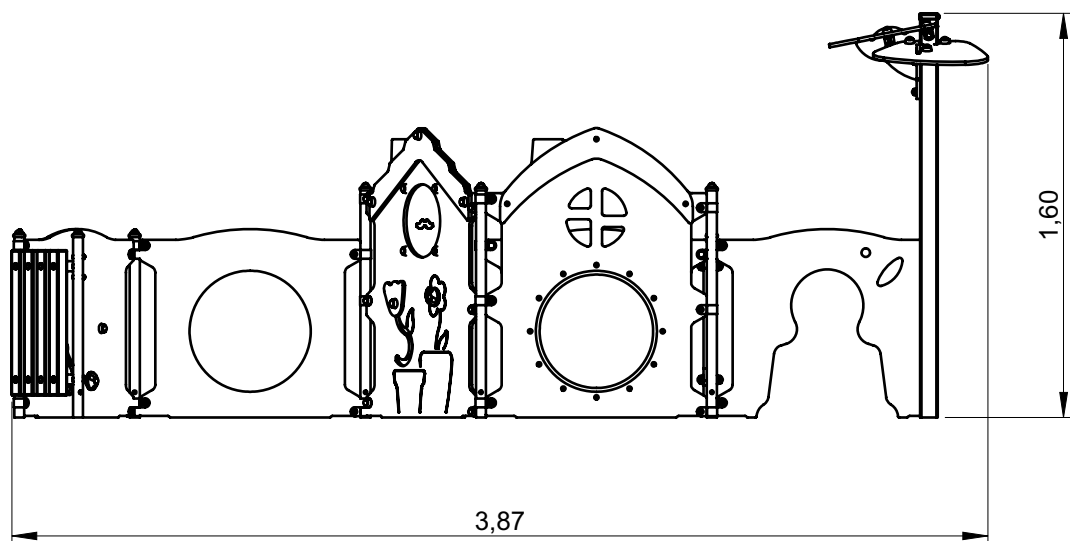
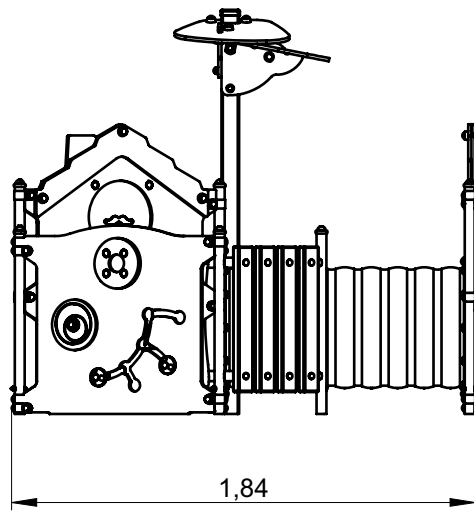
20 m
 27,5 m²



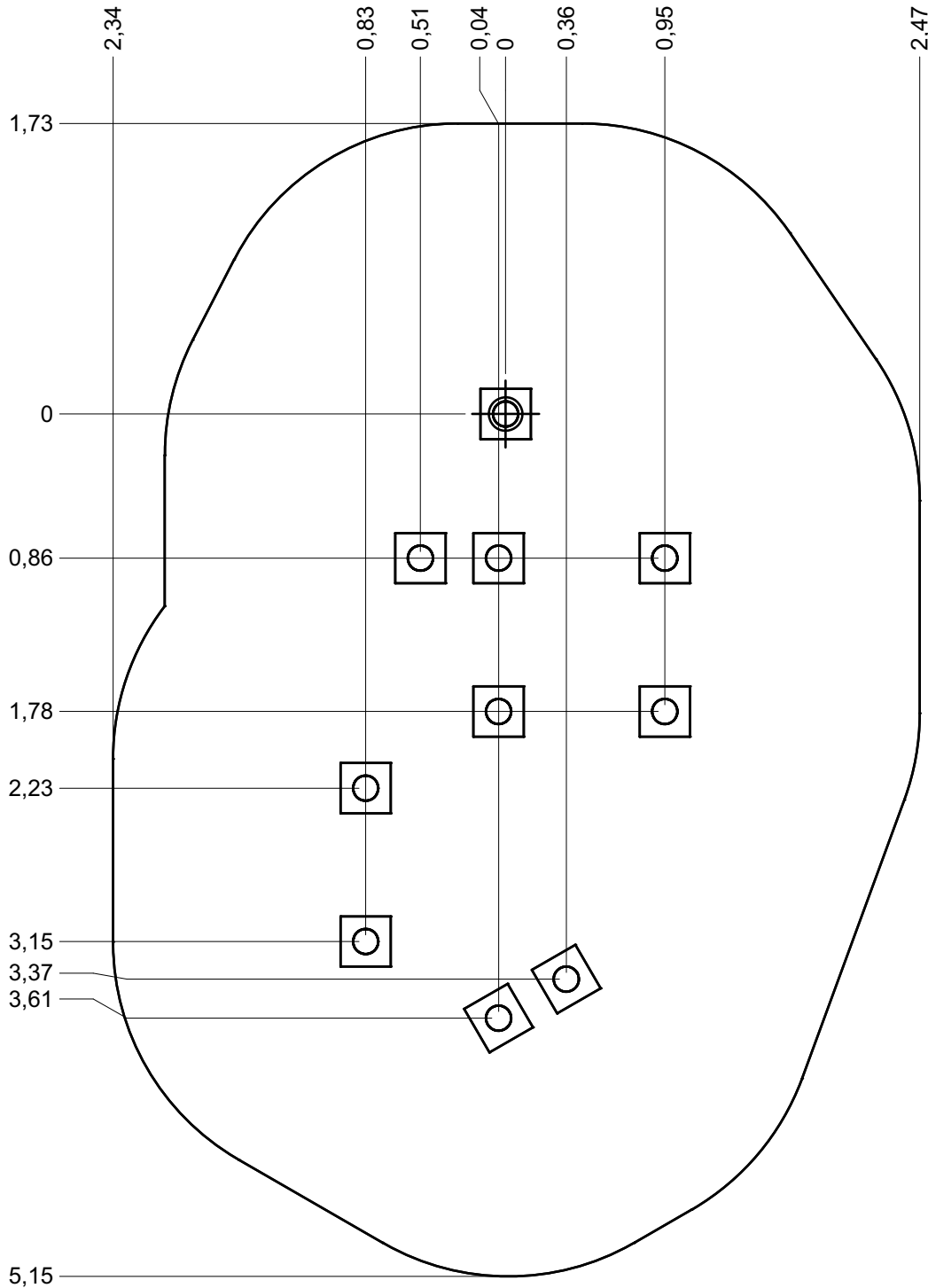
— Sol fluent
Loos partucule material 25 m
Arenero
Loses Bodenmaterial 35,5 m²
Los bodemateriaal







Implantation
 Footing plan
 Implantación
 Fundamentplan
 Funderingstekening



x2

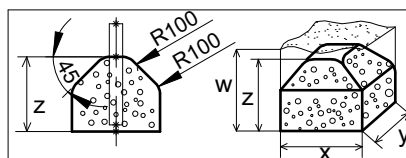


5H

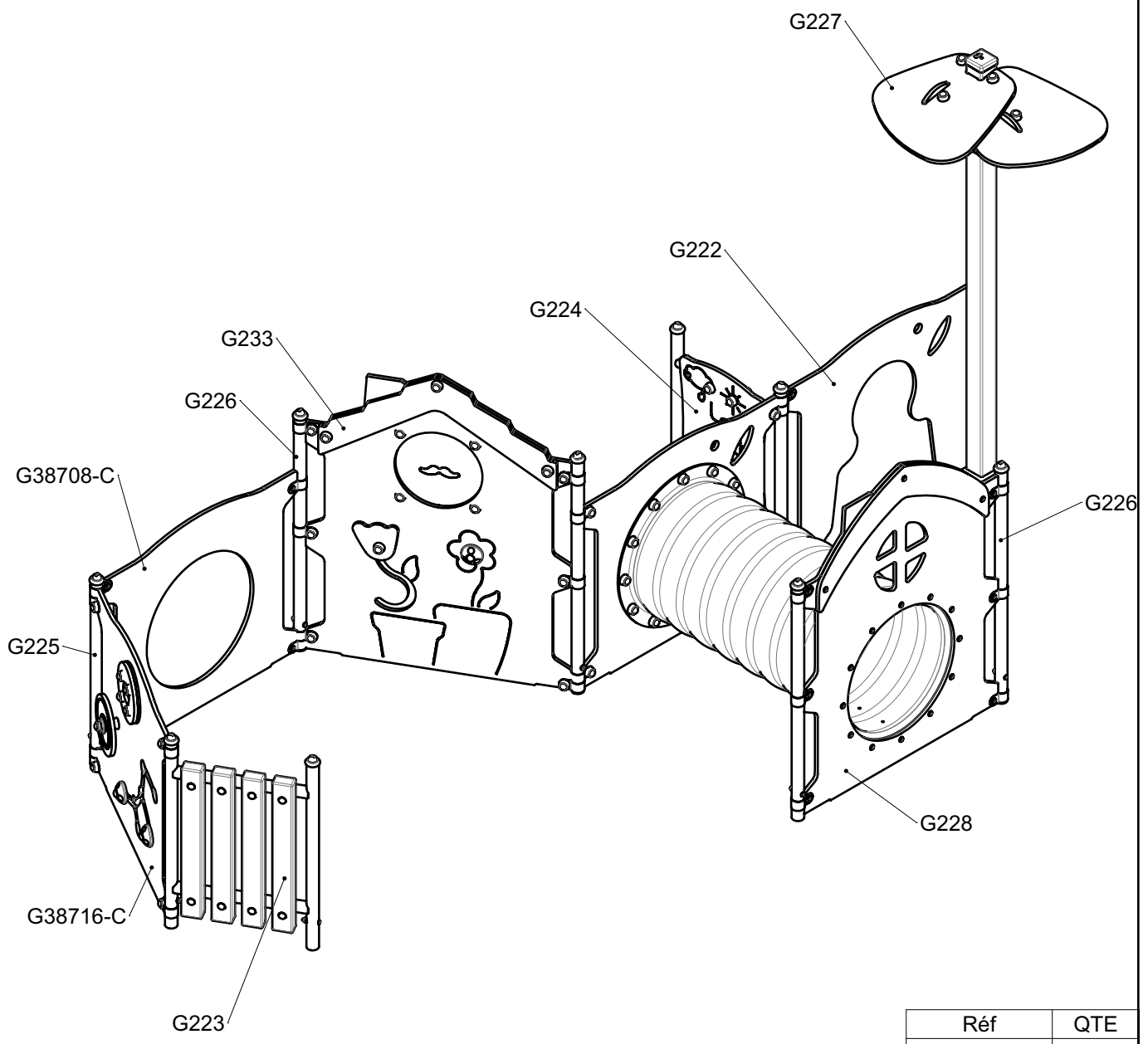


0.27

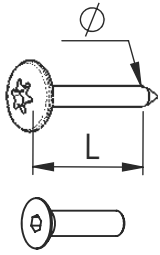
m³



	x	y	z	w
	0.3	0.3	0.3	0.6
	0.4	0.4	0.3	0.6
	0.6	0.3	0.3	0.6

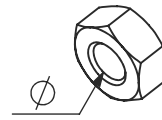


Réf	QTE
G227	1
G222	1
G224	1
G228	1
G226	4
G233	1
G38708-C	1
G225	1
G223	1
G38716-C	1

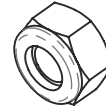


VBT 6 x 30
 \varnothing L (mm)

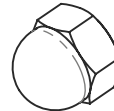
VFHC



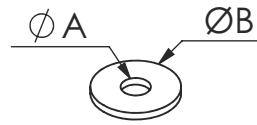
VEC M10
 \varnothing



VEF



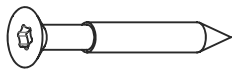
VEB



VR6x18
 $\varnothing A$ $\varnothing B$

1000 - 1800 tr/min
 Vitesse de rotation
 Rotation speed

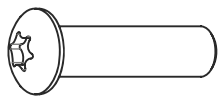
14 N.m
 Couple de rupture
 Torque of break



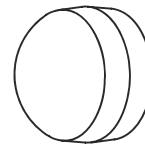
VWT



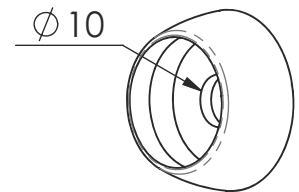
VGC



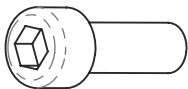
VCBHC



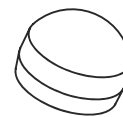
M10 440N



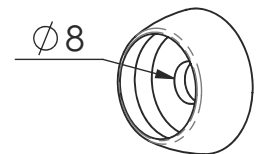
M10 310 N



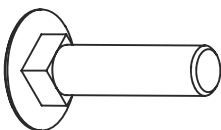
VBTR



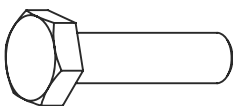
M8440N



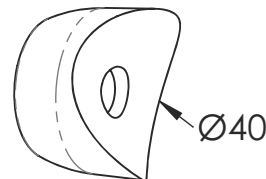
M8310N



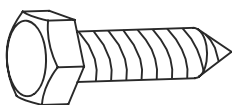
VTRCC



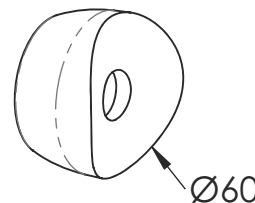
VTH



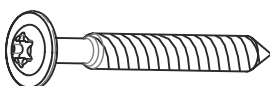
MI2503



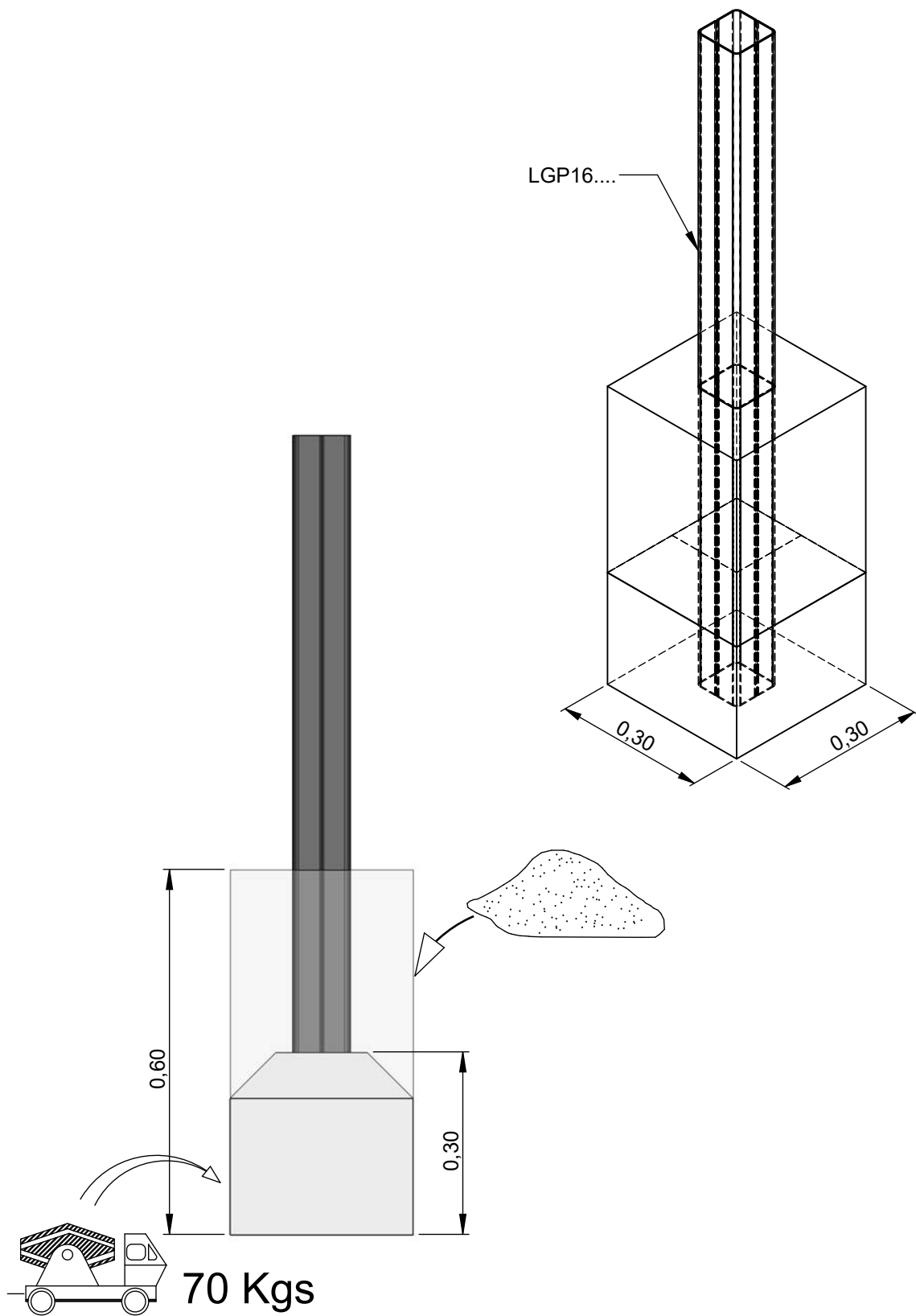
VTF



MI2701

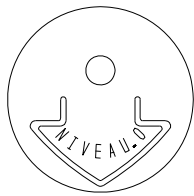


VBT



A

Proludic



MI0002

VCBHCM10

M10310N
VEFM10
M10440N

LG08

M10440N
VEFM10
MI2503

LG3802

M10440N
VTH10*80
MI2503

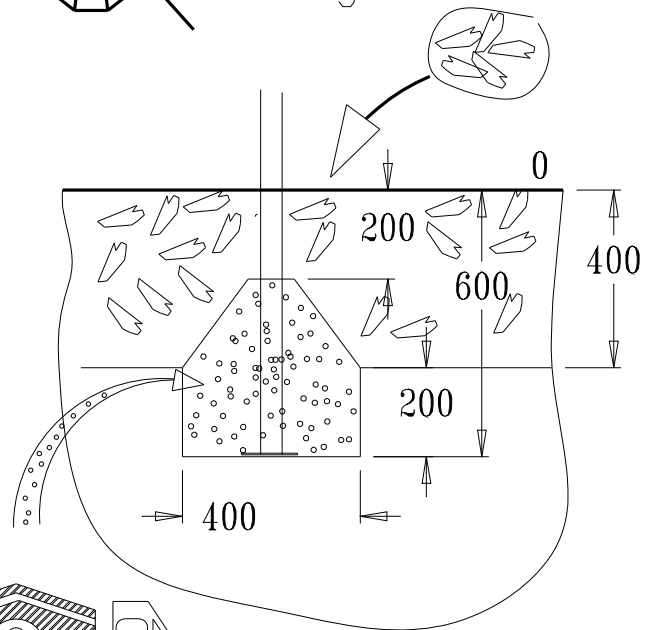
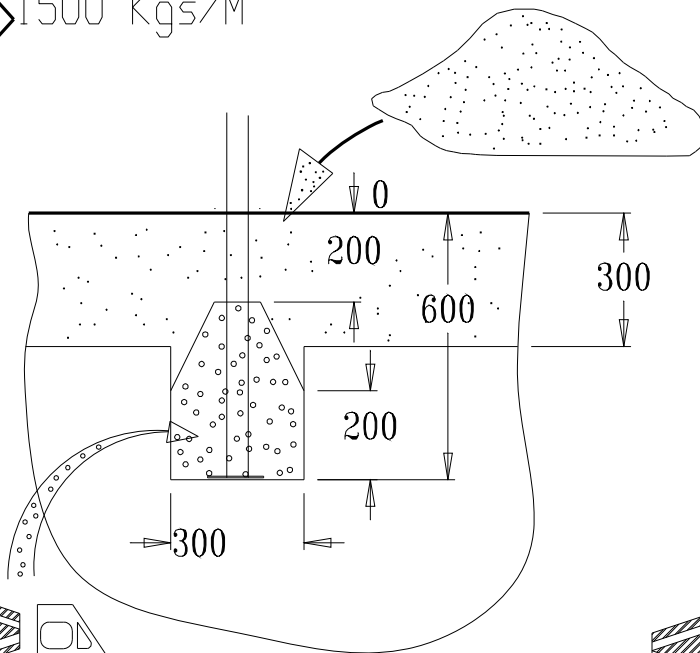
LG3804

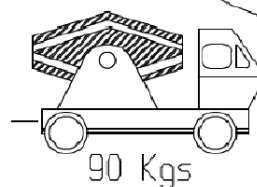
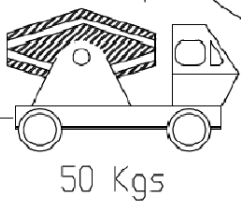
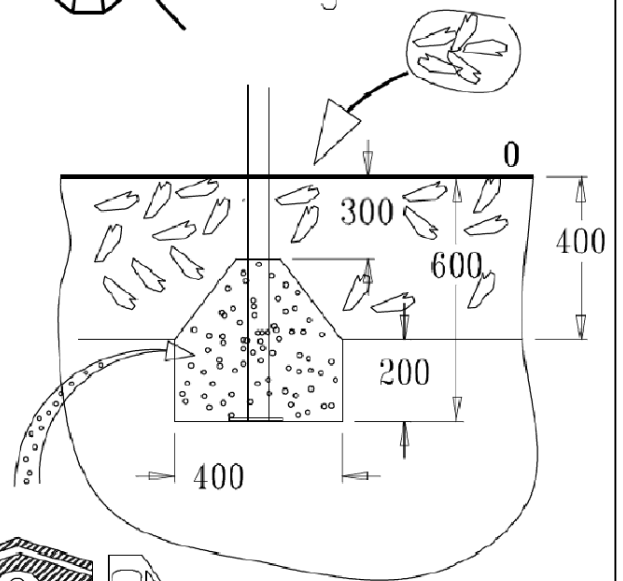
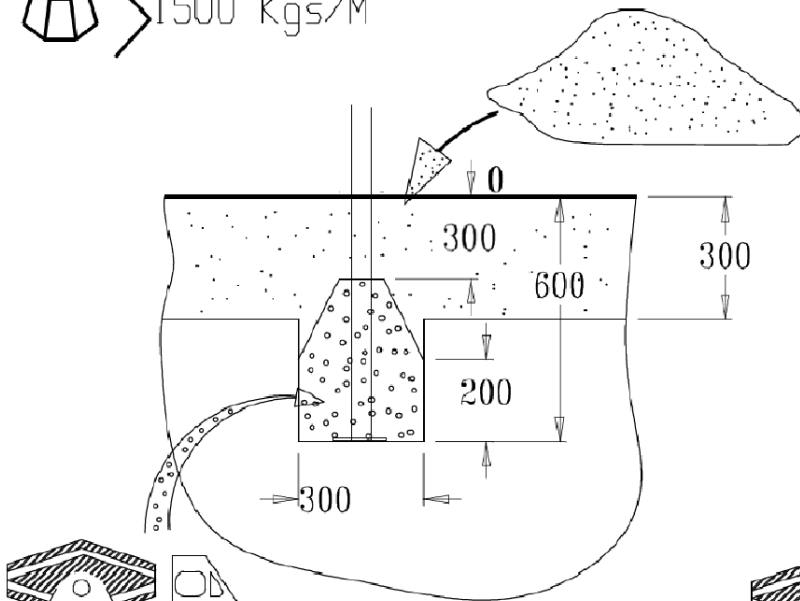
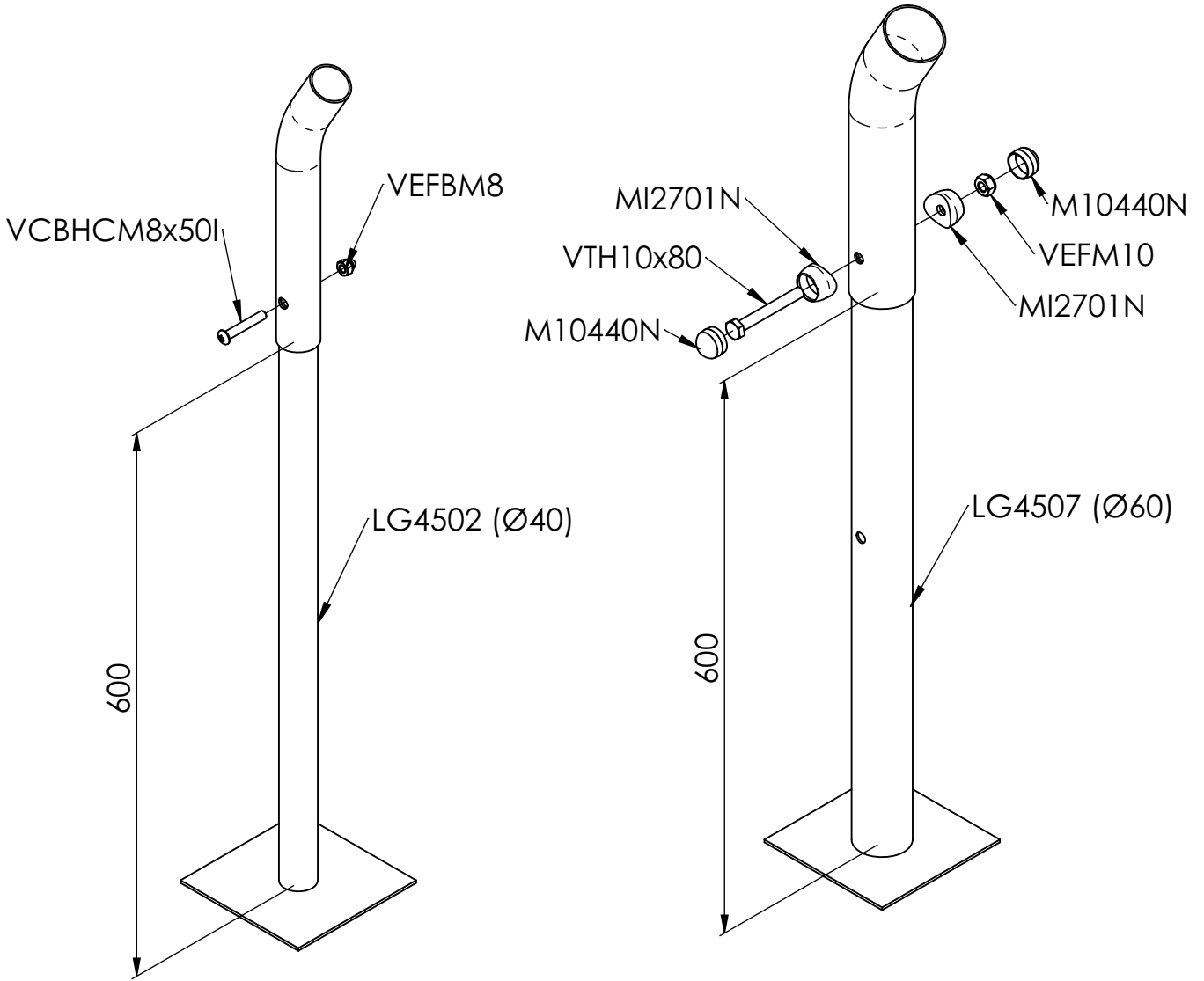


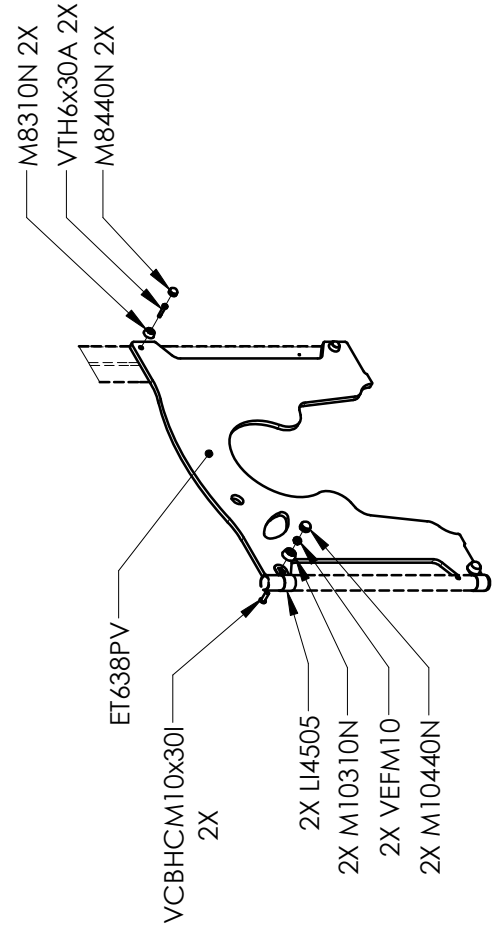
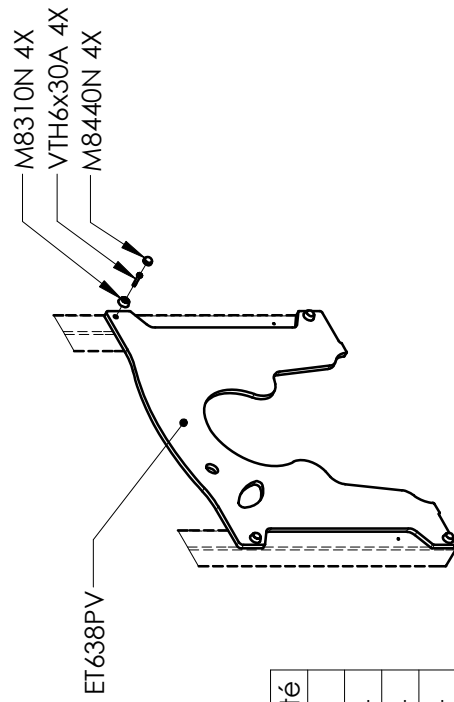
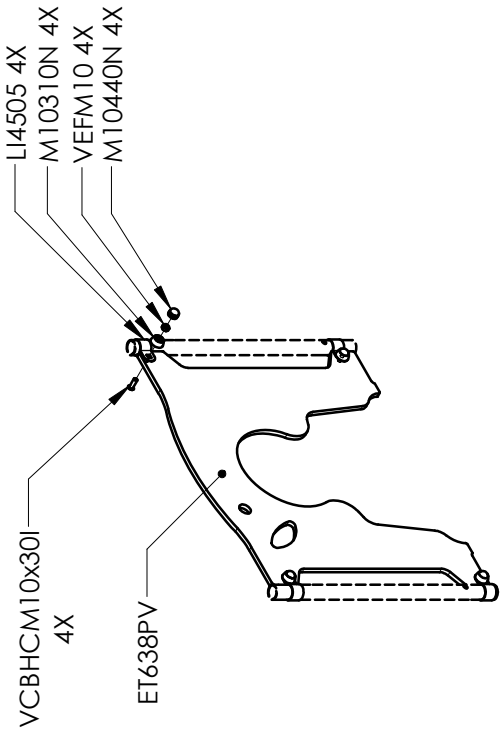
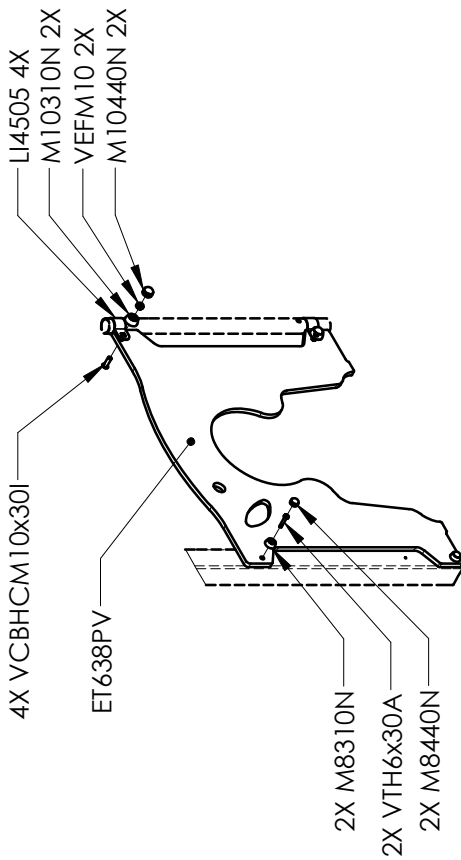
> 1500 Kgs/M³



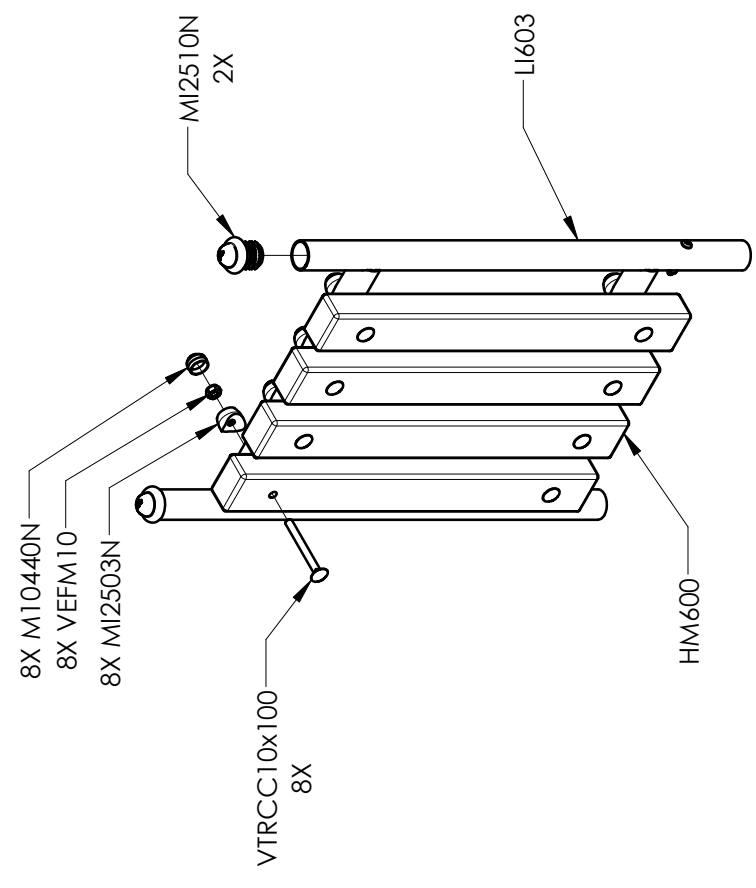
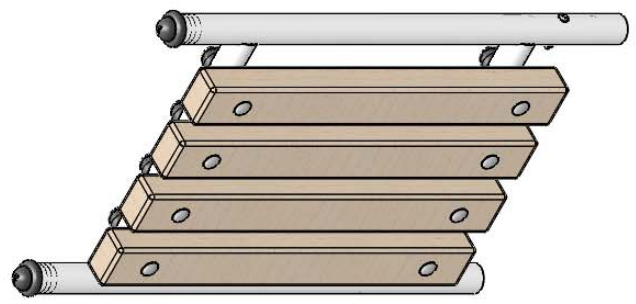
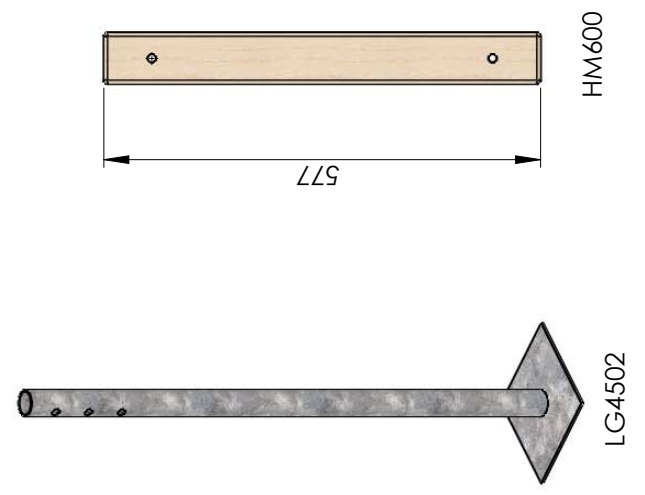
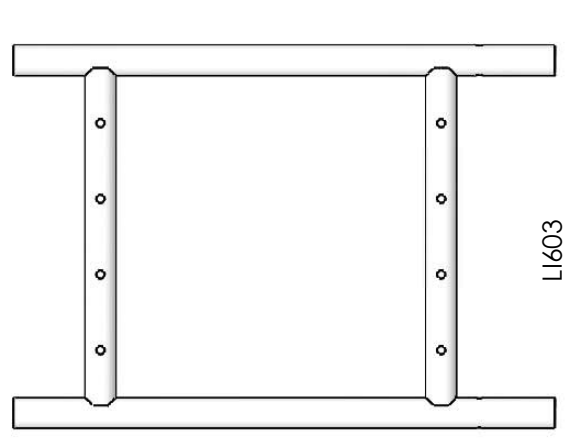
< 1500 Kgs/M³



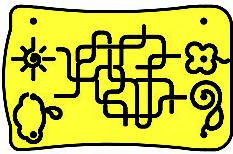




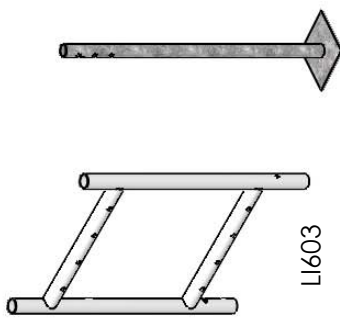
Réf	Qté
ET638PV	1
LI4505	4
M8310N	4
M8440N	4
M10310N	4
M10440N	4
VCBHCM10x30I	4
VEFM10	4
VTH6x30A	4



Réf	Qté
HM600	4
LG4502	2
LI603	1
M10440N	8
MI2503N	8
MI2510N	2
VCBHC8x50I	2
VEFBM8	2
VEFM10	8
VTRCC10x100	8



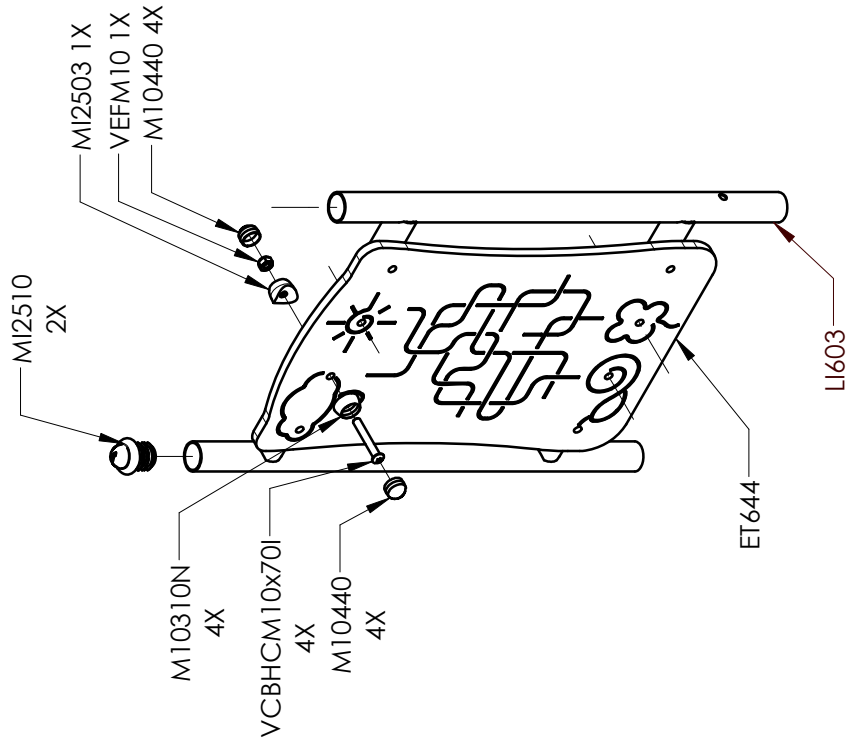
ET644J



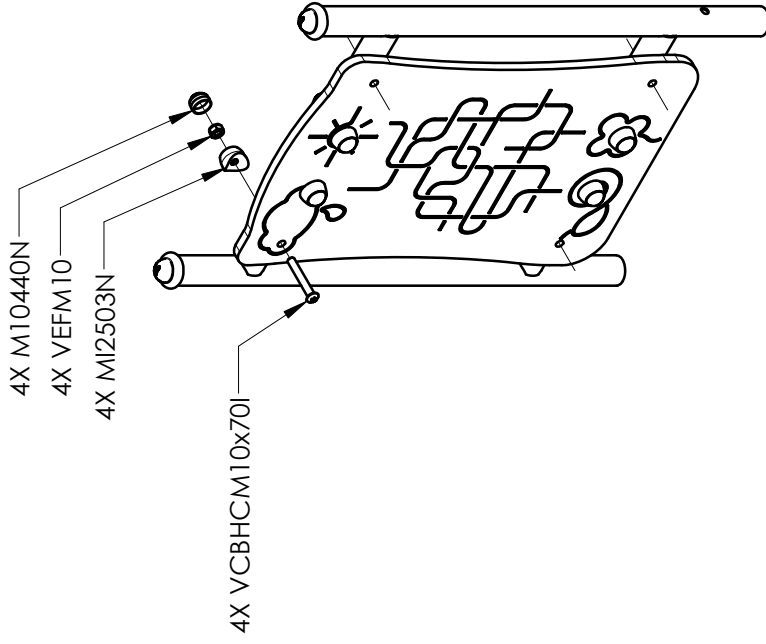
LI603

LG4502

1

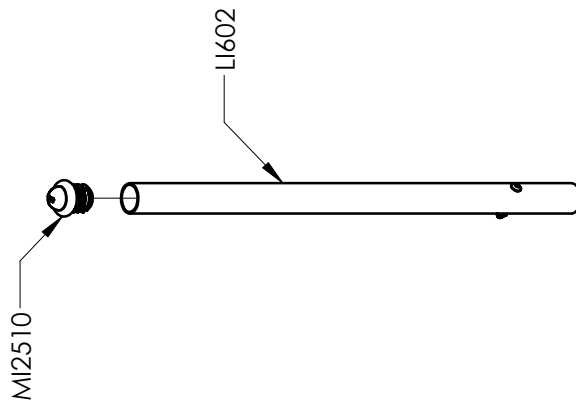


2



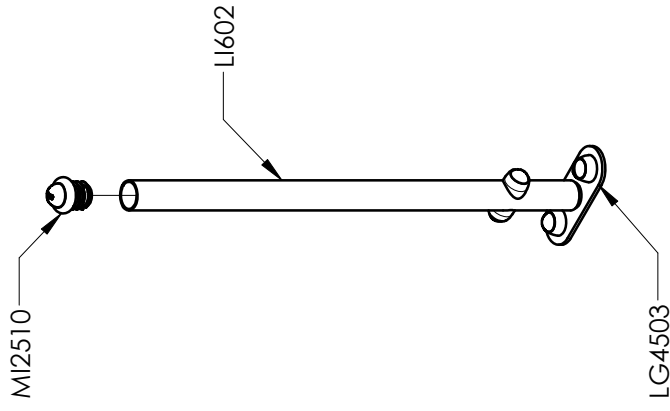
Réf	Qté
ET644J	1
LG4502	2
LI603	1
M10310N	4
M10440N	12
MI2503N	8
MI2510N	2
VCBHCM8x50I	2
VCBHCM10x70I	8
VEFBM8	2
VEFM10	8

G225A



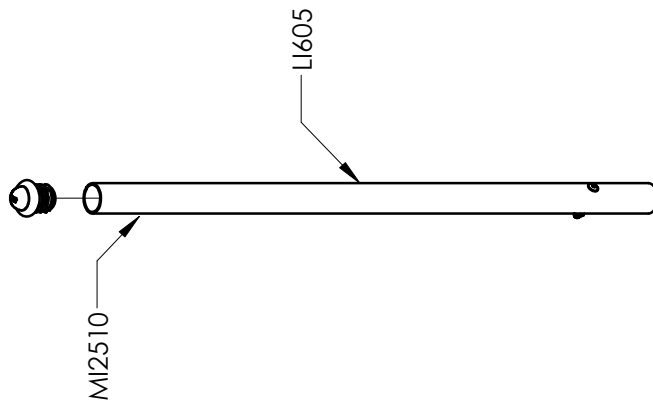
Réf	Qté
LG4502	1
LI602	1
MI2510N	1
VCBHC8x50I	1
VEFBM8	1

G225B



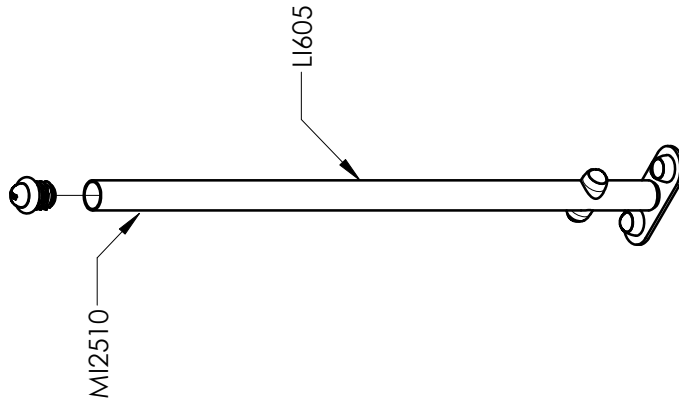
Réf	Qté
LG4503	1
LI602	1
M10310N	2
M10440N	4
MI2503N	2
MI2510N	1
RD14M10	2
VEFM10	1
VTH10x60	1

G226A

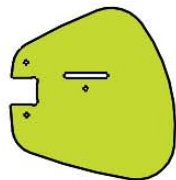
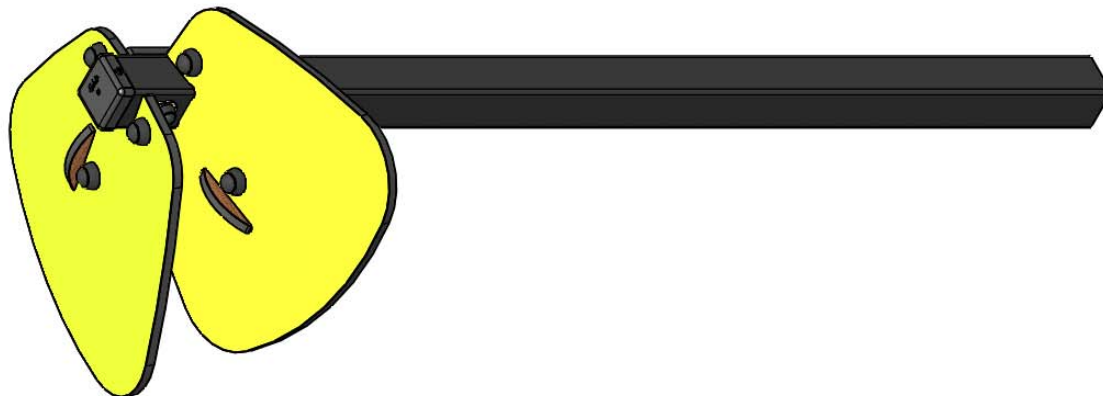


Réf	Qté
LG4502	1
LI605	1
MI2510N	1
VCBHC8x50I	1
VEFBM8	1

G226B



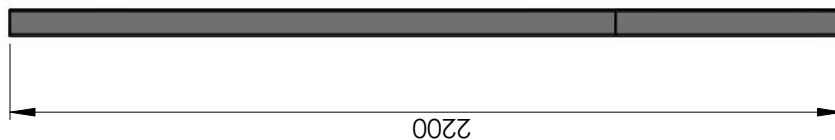
Réf	Qté
LG4503	1
LI605	1
M10310N	2
M10440N	4
MI2503N	2
MI2510N	1
RD14M10	2
VEFM10	1
VTH10x60	1



ET639PV



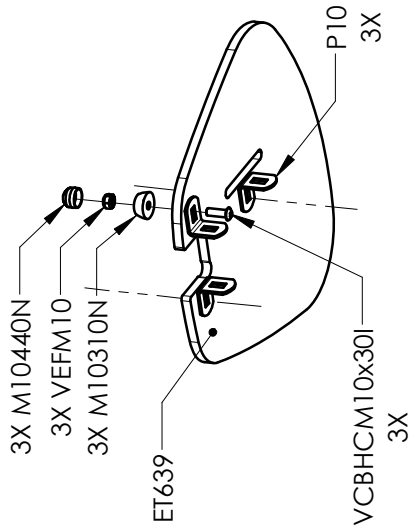
ET640CH



LGP601

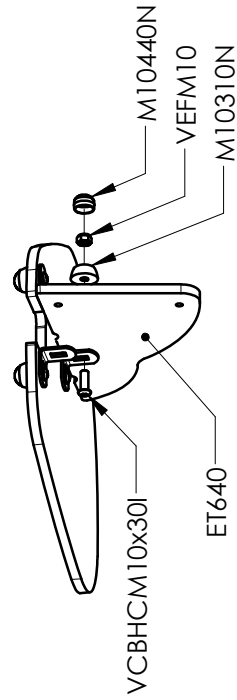
Réf	Qté
ET639PV	2
ET640CH	2
LGP601	1
M68x68	1
M8310N	6
M8440N	6
M10310N	8
M10440N	8
P10	6
RRAV6	1
VCBHC10x30I	8
VEFM10	8
VTH6x30A	6

1



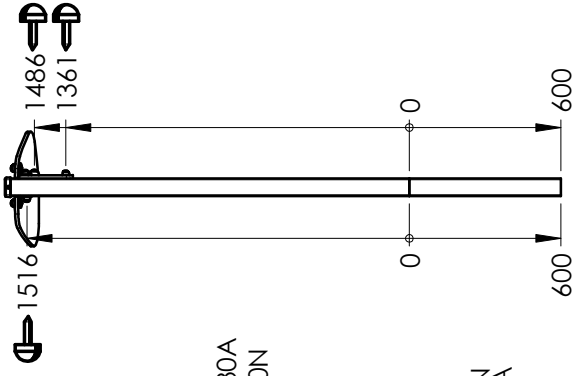
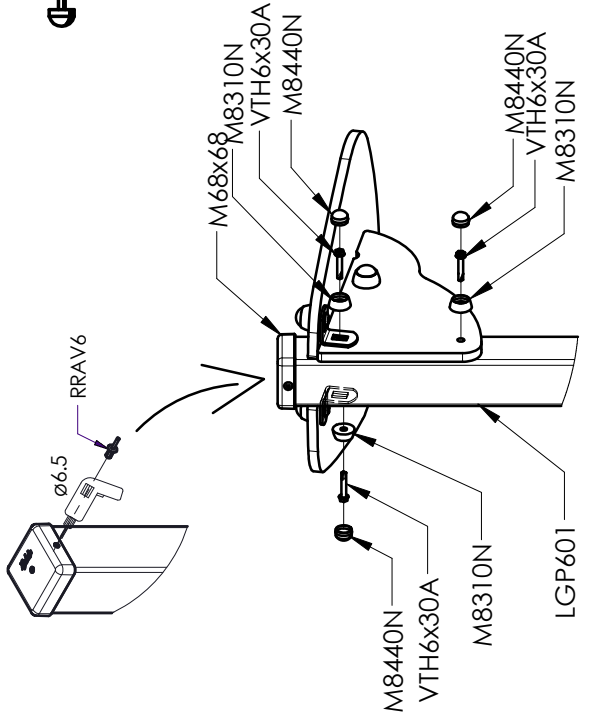
X2

2

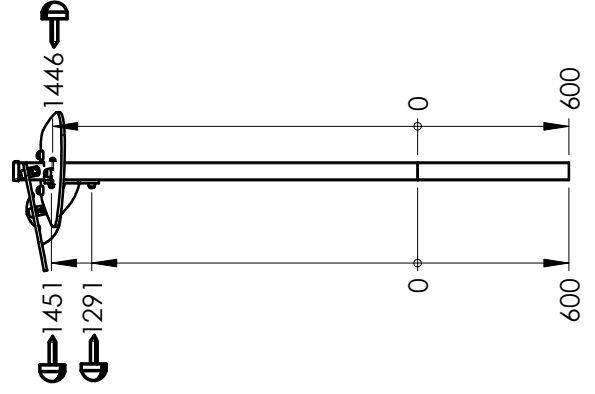
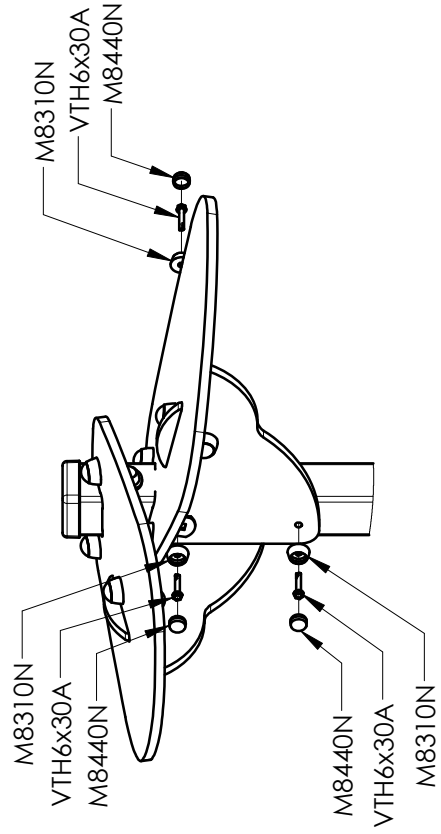


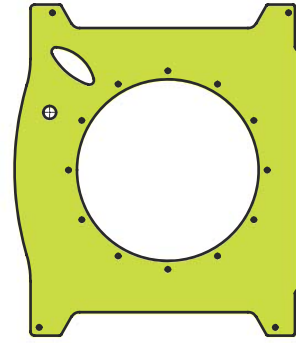
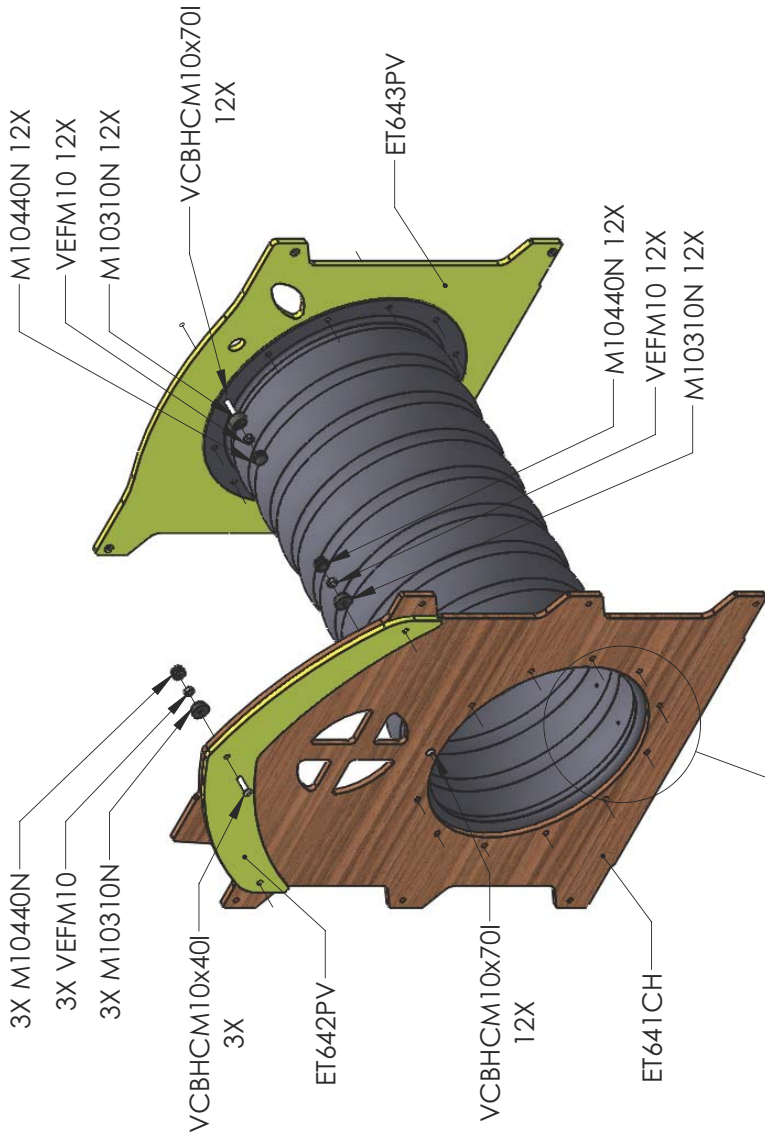
X2

3

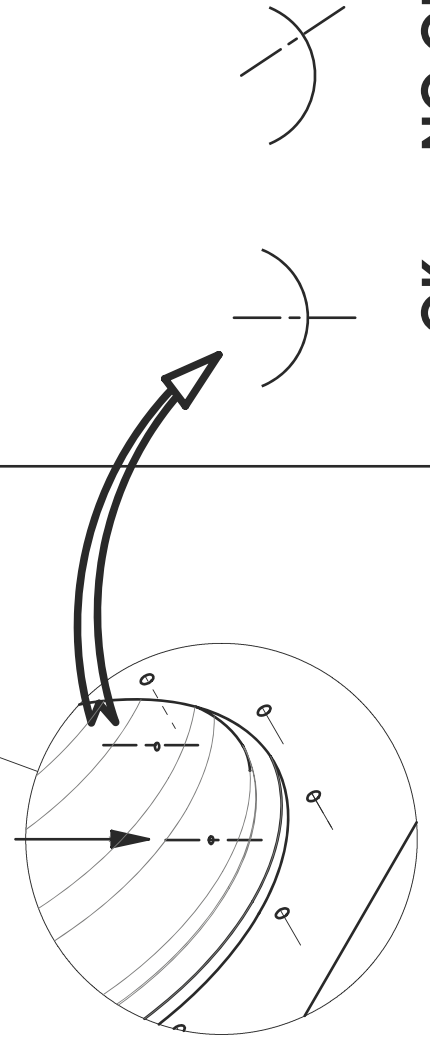


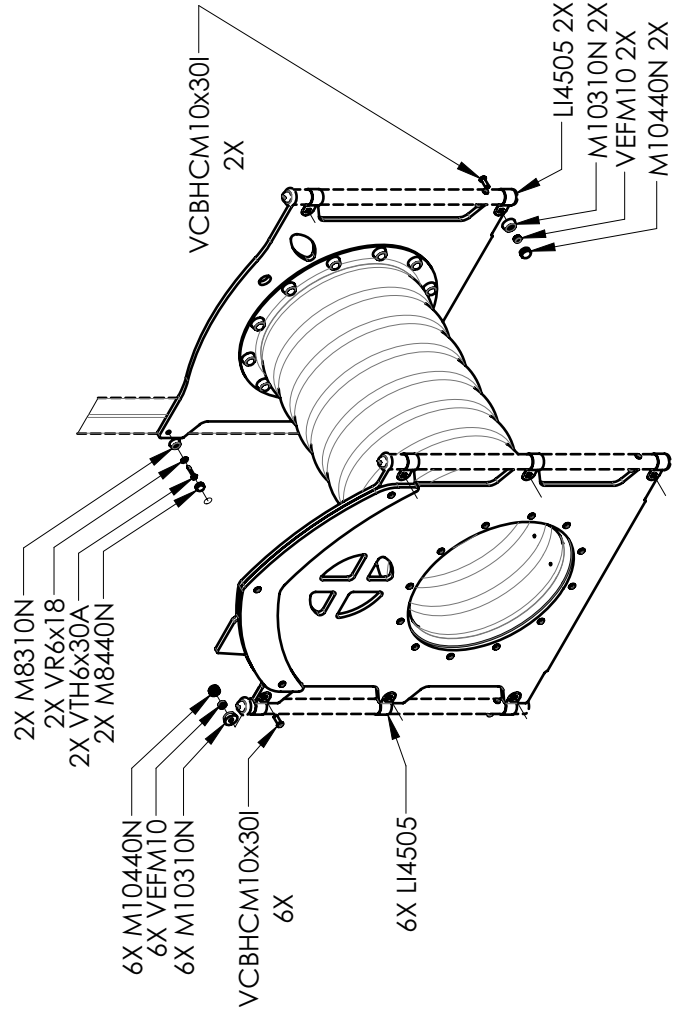
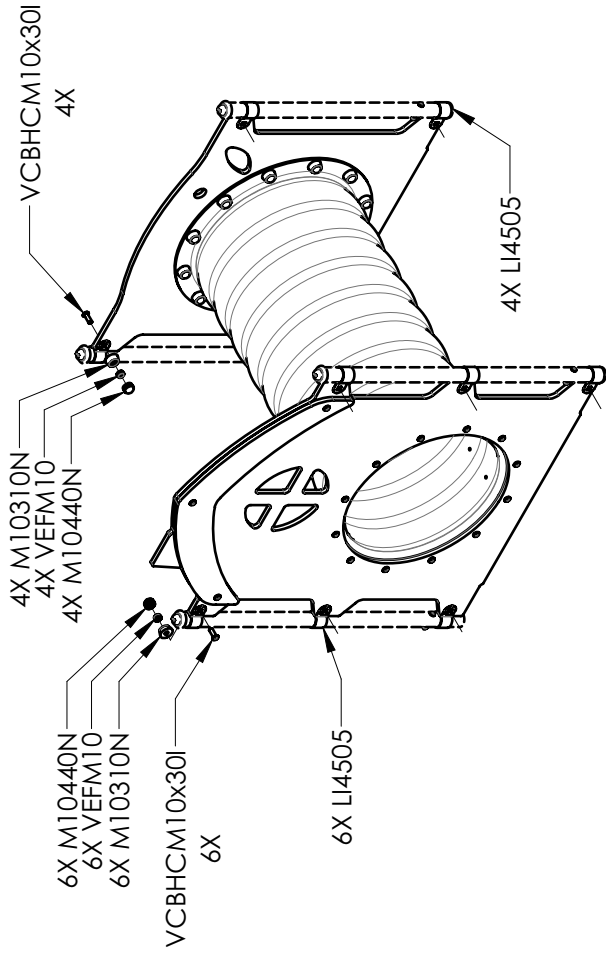
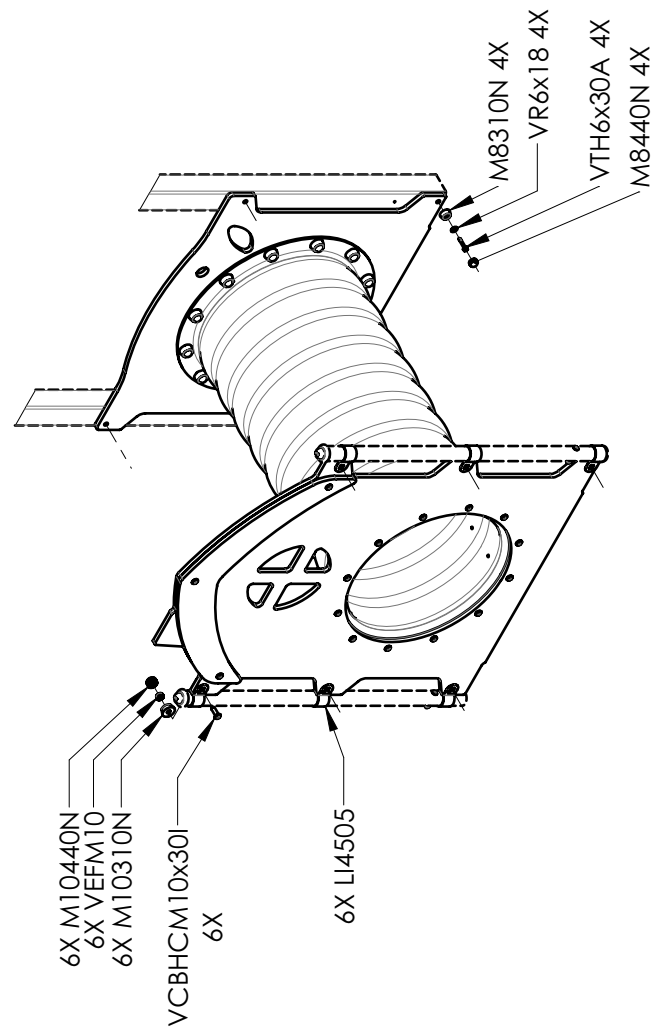
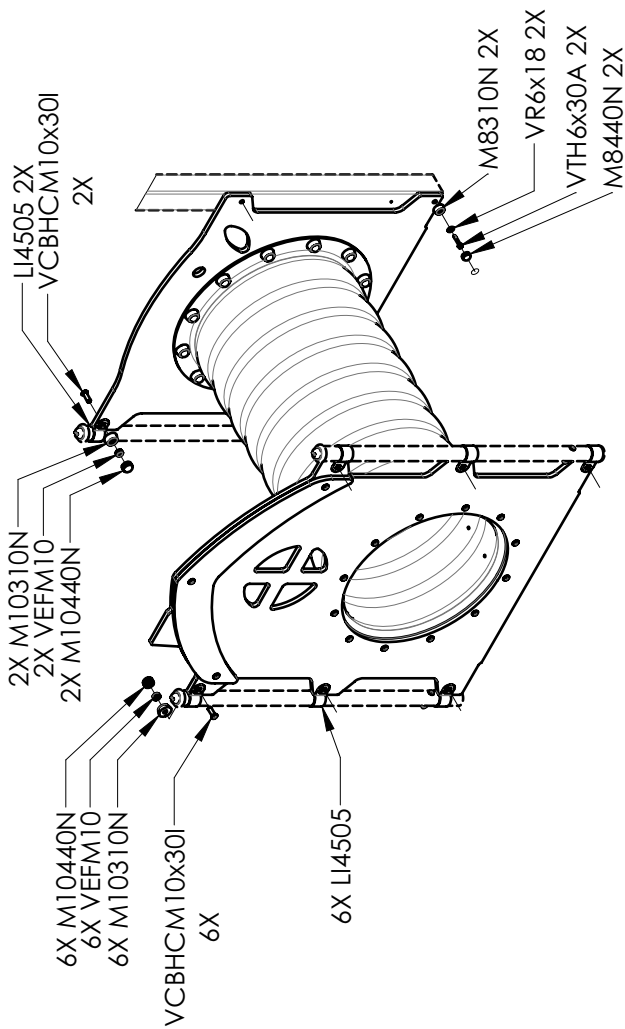
4

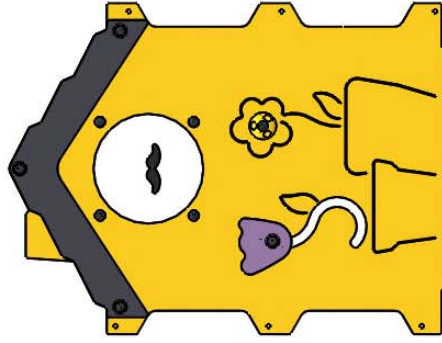
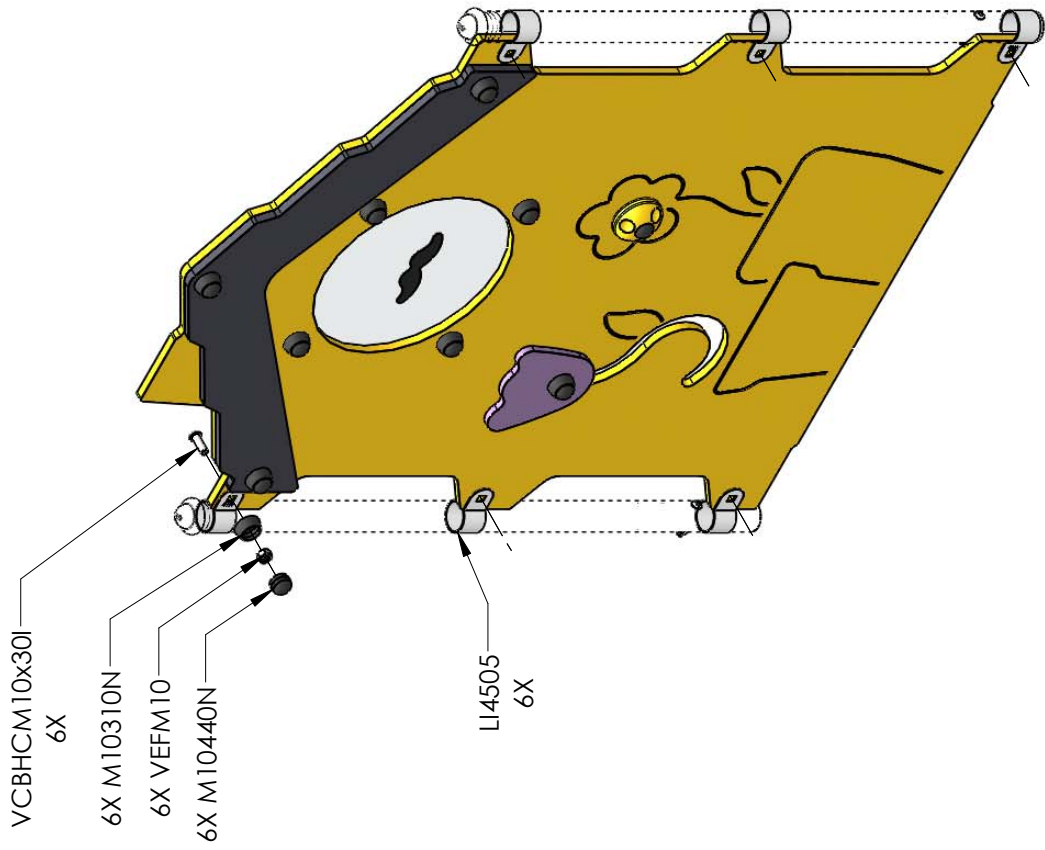




Réf	Qté
ET641CH	1
ET642PV	1
ET643PV	1
LI4505	10
M8310N	4
M8440N	4
M10310N	35
M10440N	35
M55117	1
VCBHCMI0x30I	8
VCBHCMI0x40I	27
VEFM10	35
VR6x18	4
VTH6x30A	4
VCBHCMI0x30I	2
M10310N	2
VEFM10	2
M10440N	2

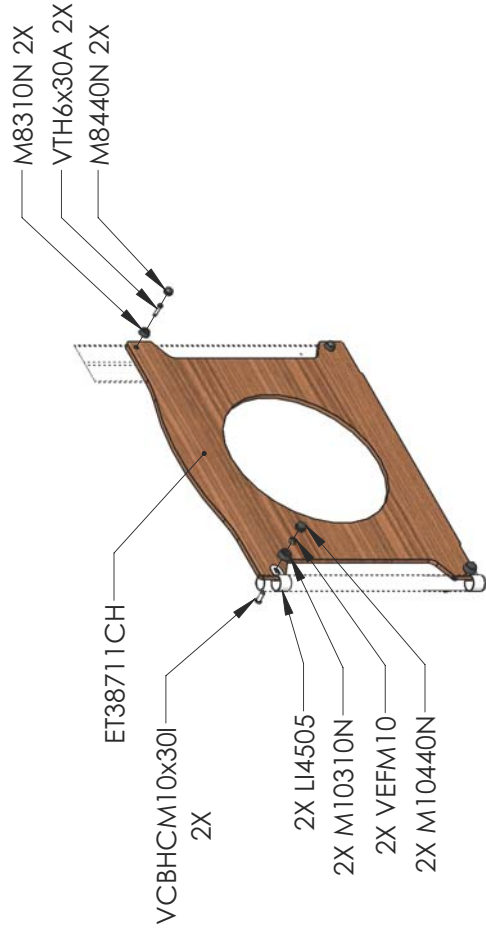
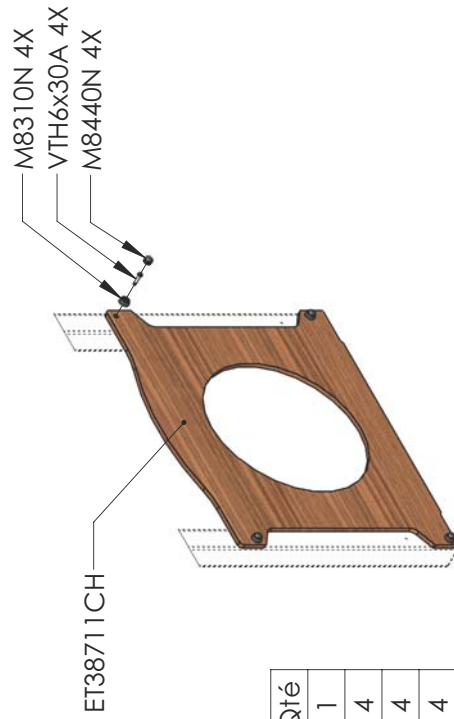
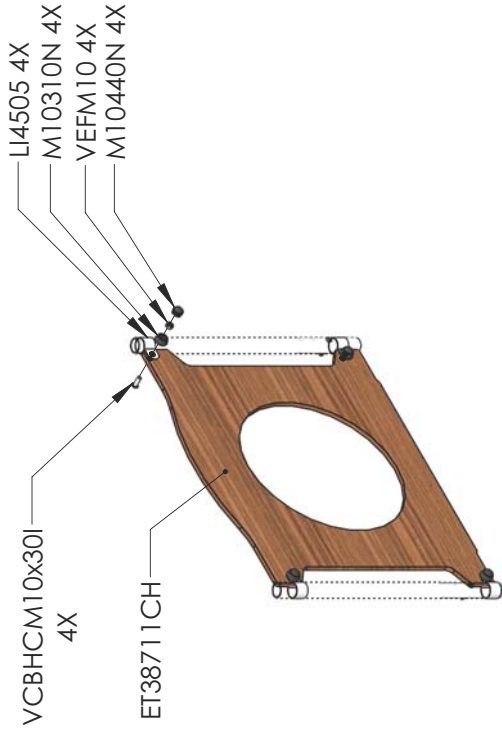
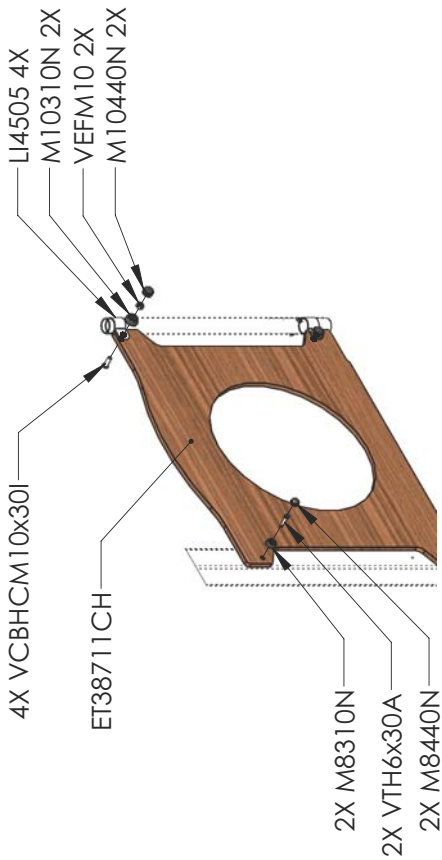




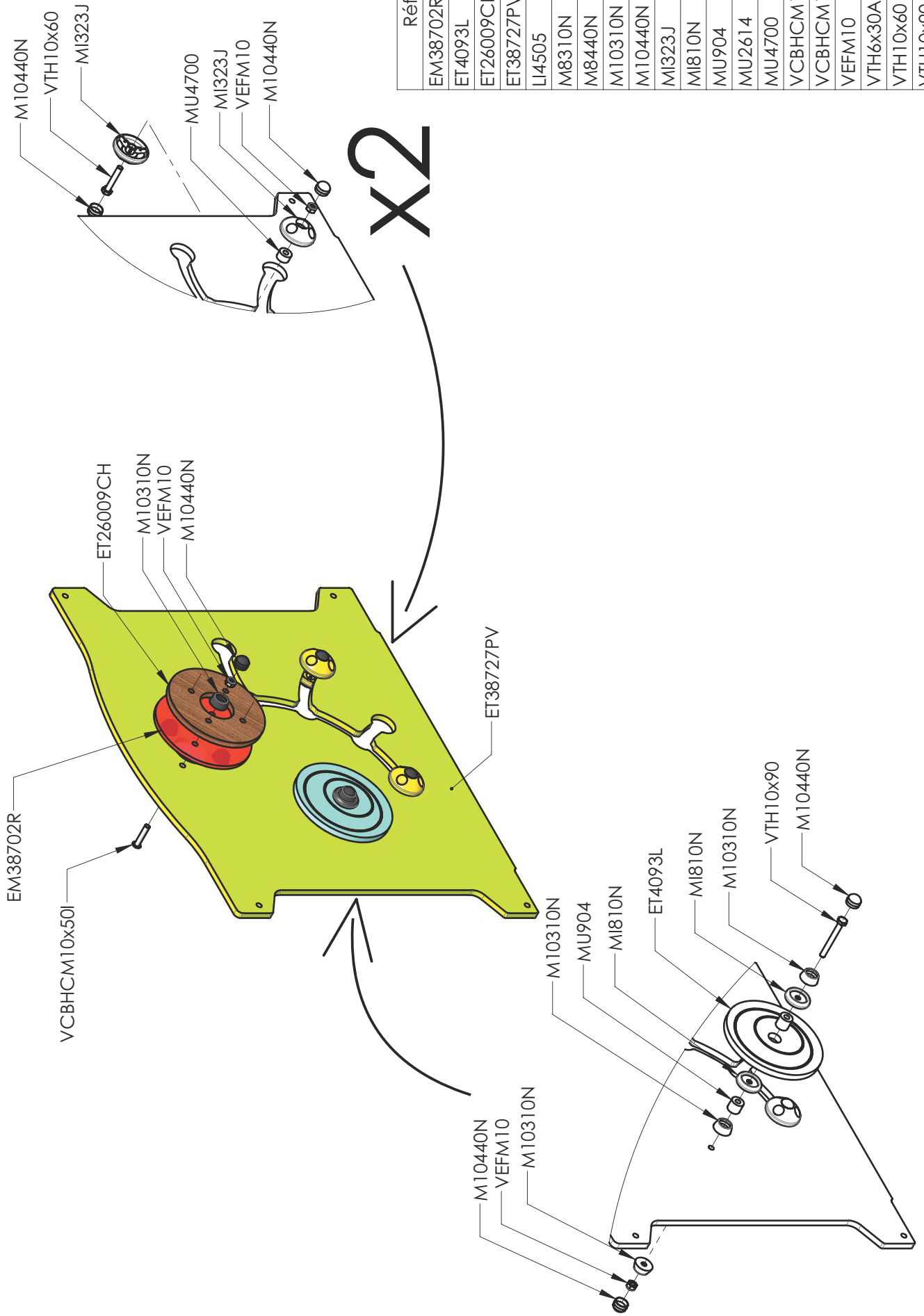


U202

Réf	Qté
U202	1
LI4505	6
M10310N	6
M10440N	6
VCBHCM10x30I	6
VEFM10	6



Réf	Qté
ET38711CH	1
LI4505	4
M8310N	4
M8440N	4
M10310N	4
M10440N	4
VCBHCM10x30I	4
VEFM10	4
VTH6x30A	4



Réf	Qté
EM38702R	1
ET4093L	1
ET26009CH	1
ET38727PV	1
LI4505	4
M8310N	4
M8440N	4
M10310N	11
M10440N	14
MI323J	4
M1810N	2
MU904	1
MU2614	1
MU4700	2
VCBHC10x30I	4
VCBHC10x50I	4
VEFM10	11
VTH6x30A	4
VTH10x60	2
VTH10x90	1

