



N°		
1	0.6 m	26.5 m <sup>2</sup>
2	1 m	7.5 m <sup>2</sup>

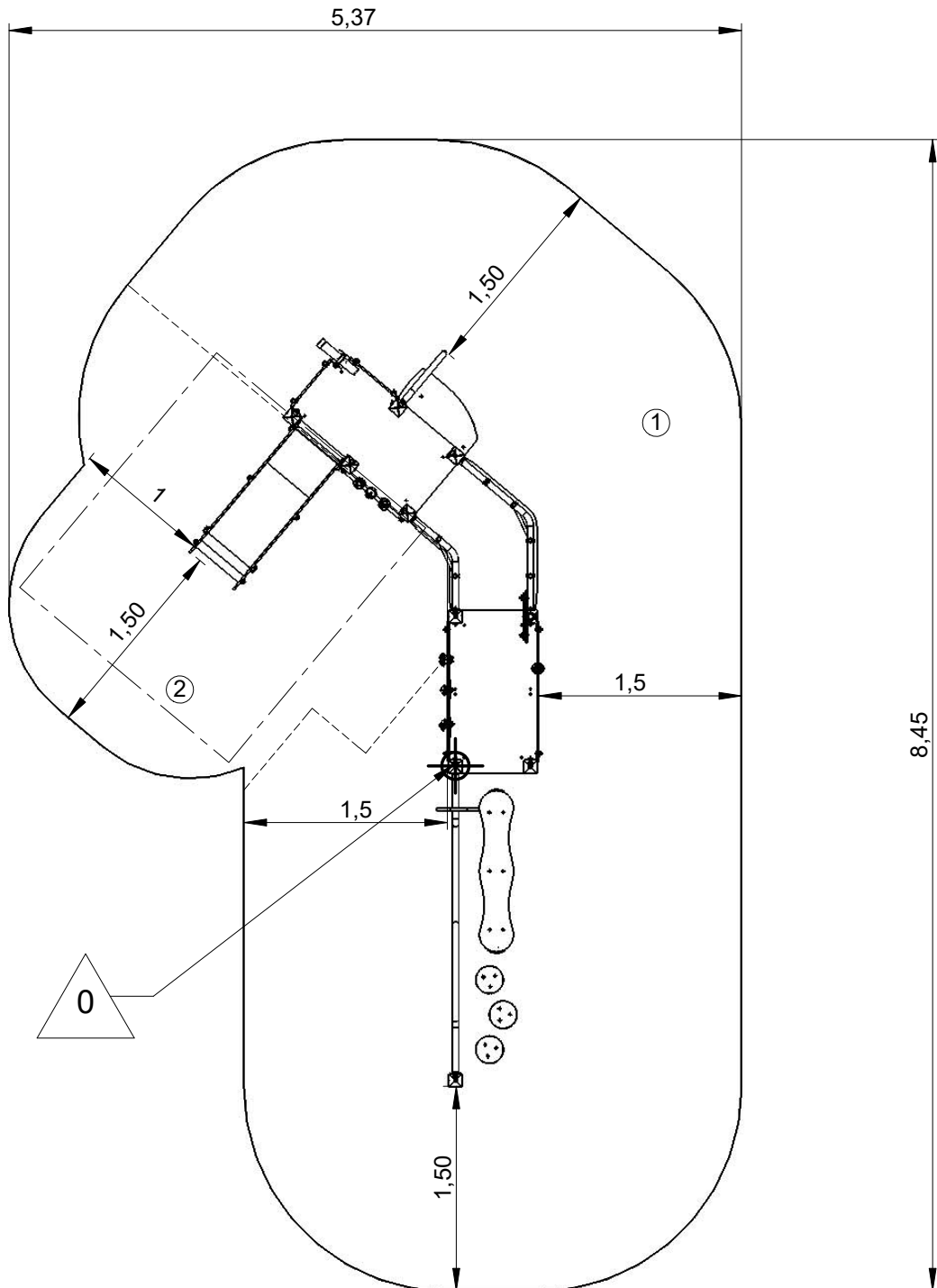
— Zone d'impact  
Impact area  
Area de impacto  
Fallraum  
Valzone

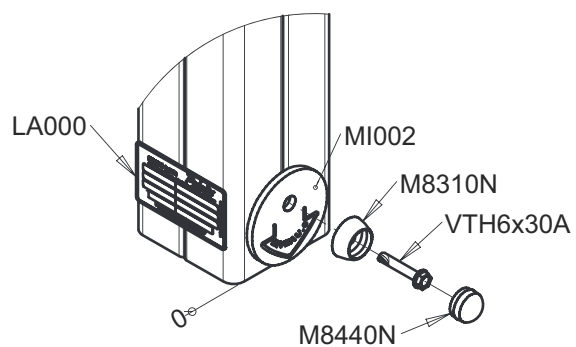
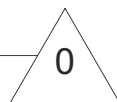
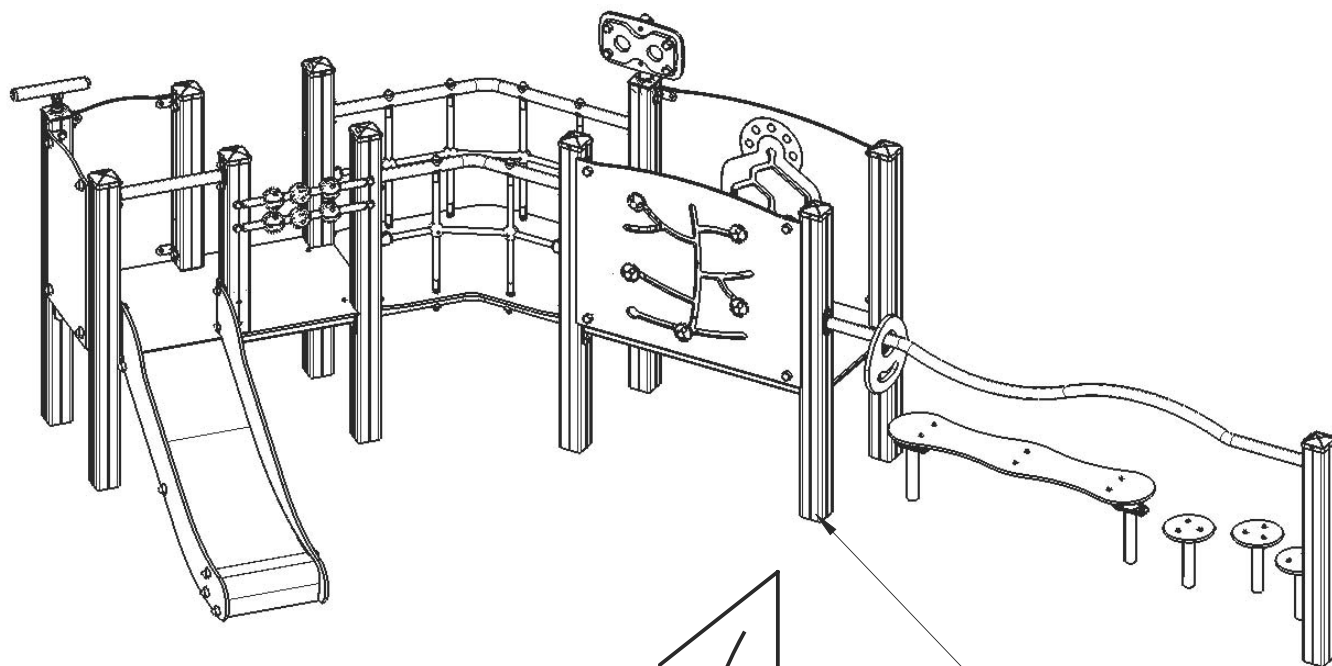


Point de référence  
Setting out point  
Punto de referencia  
Bezugspunkt  
Referentiepunt

- - - Espace libre  
Free space  
Espacio libre  
Freiraum  
Vrije ruimte

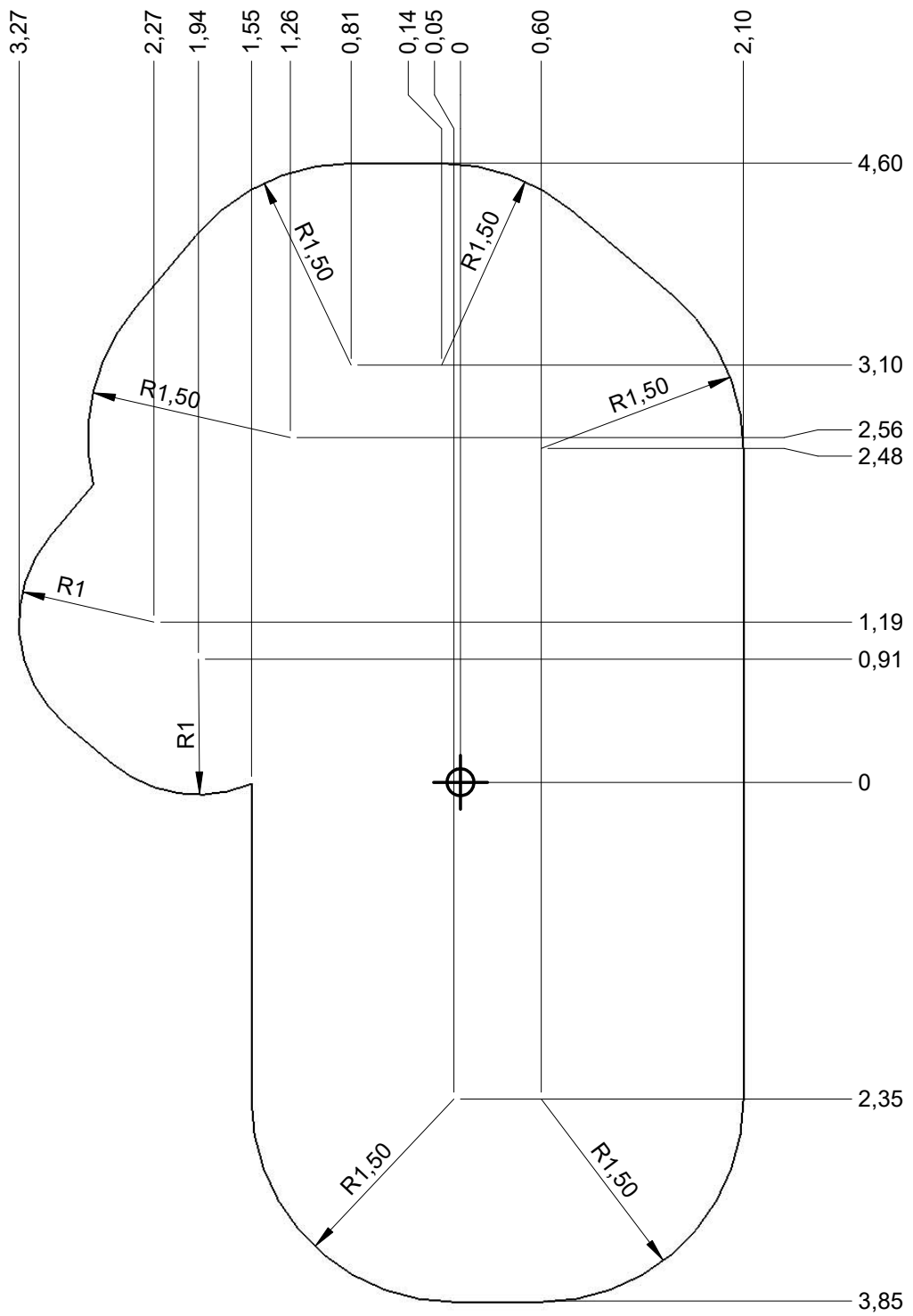
EN1176-1:2017  
EN1176-3:2017





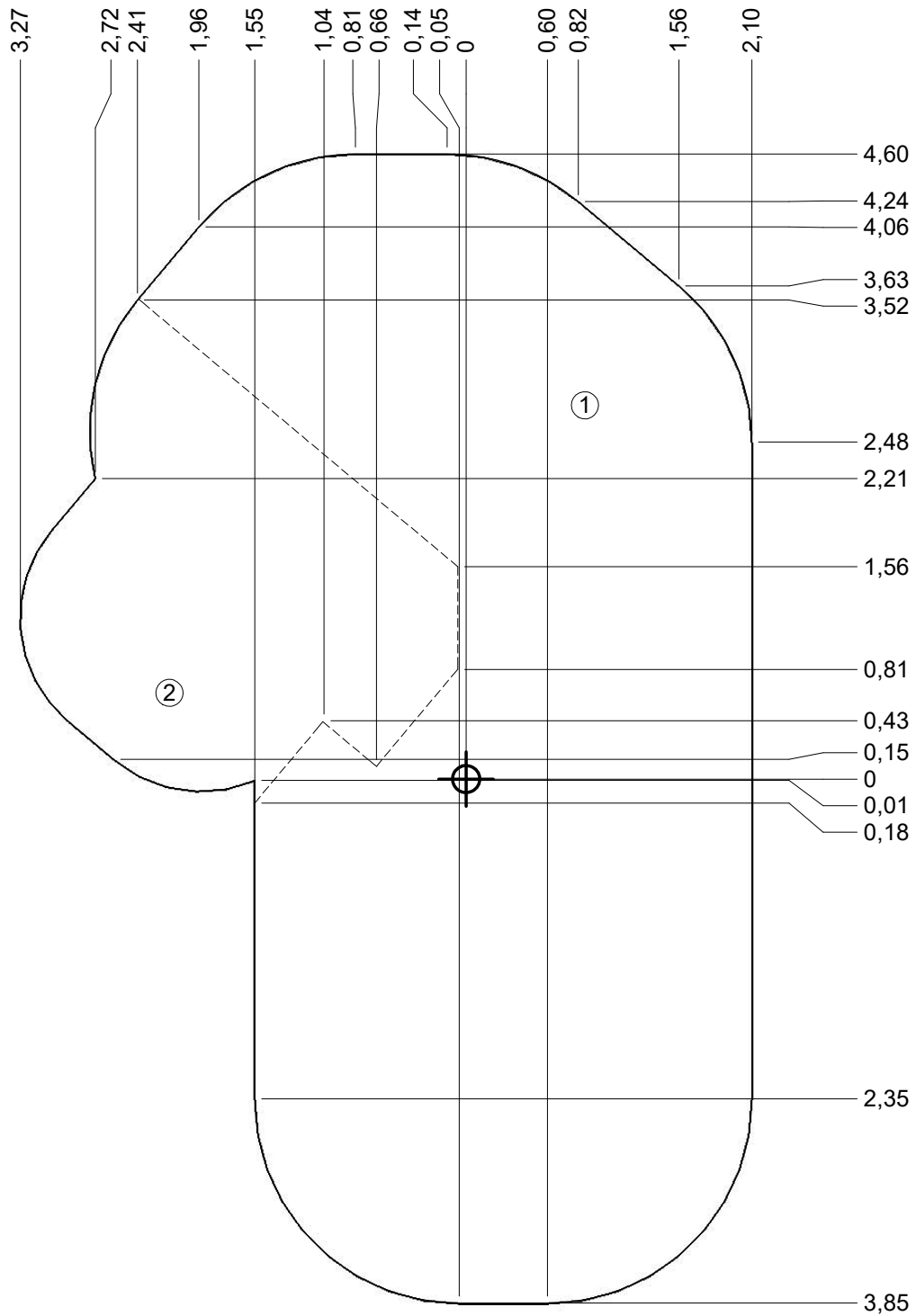
— Zone d'impact  
 Impact area  
 Area de impacto  
 Fallraum  
 Valzone

34.5 m<sup>2</sup>



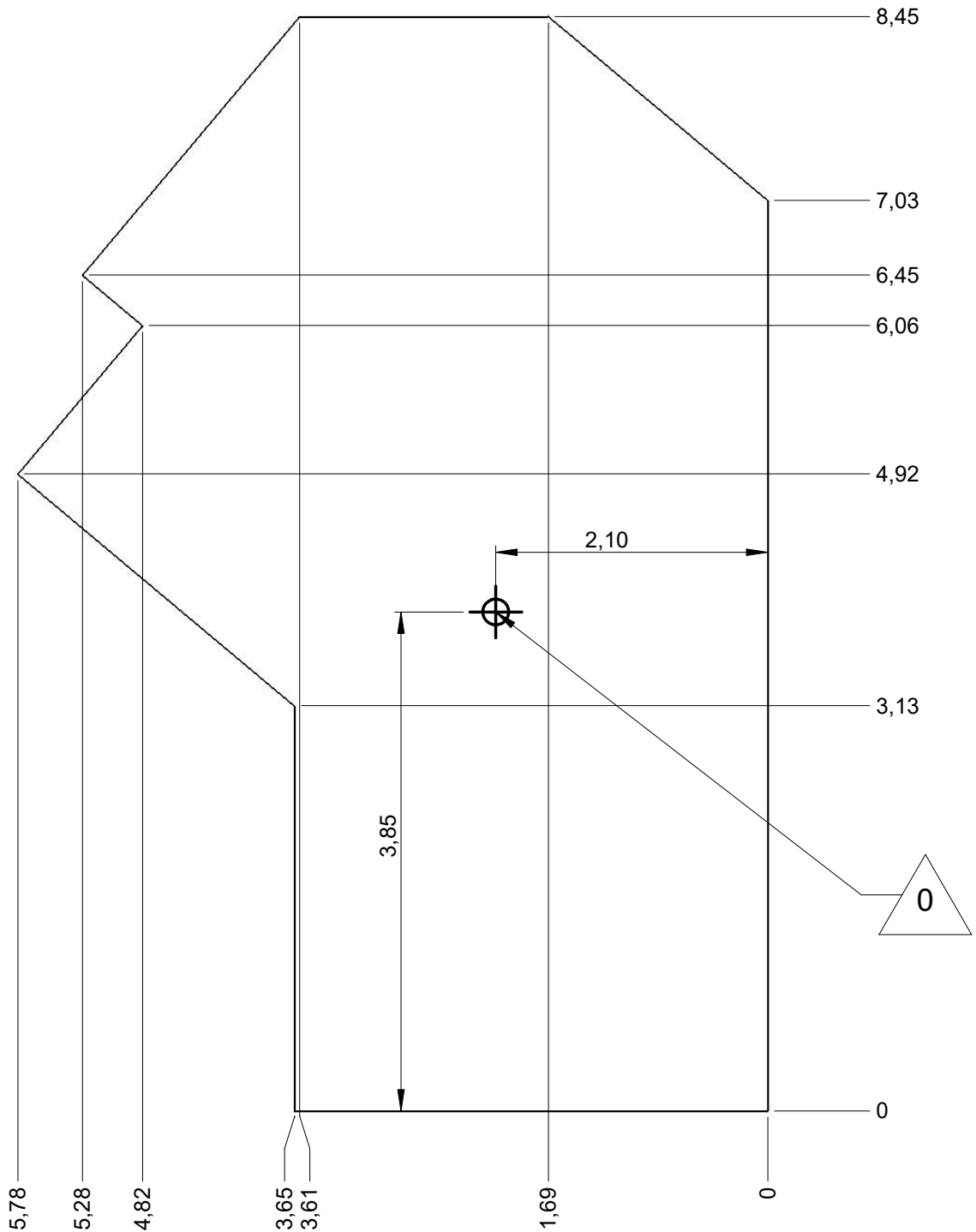
— Sol souple  
 Wetpour  
 Caucho continuo  
 Synthetischer Fallschutz  
 Gietvloer

34.5 m<sup>2</sup>

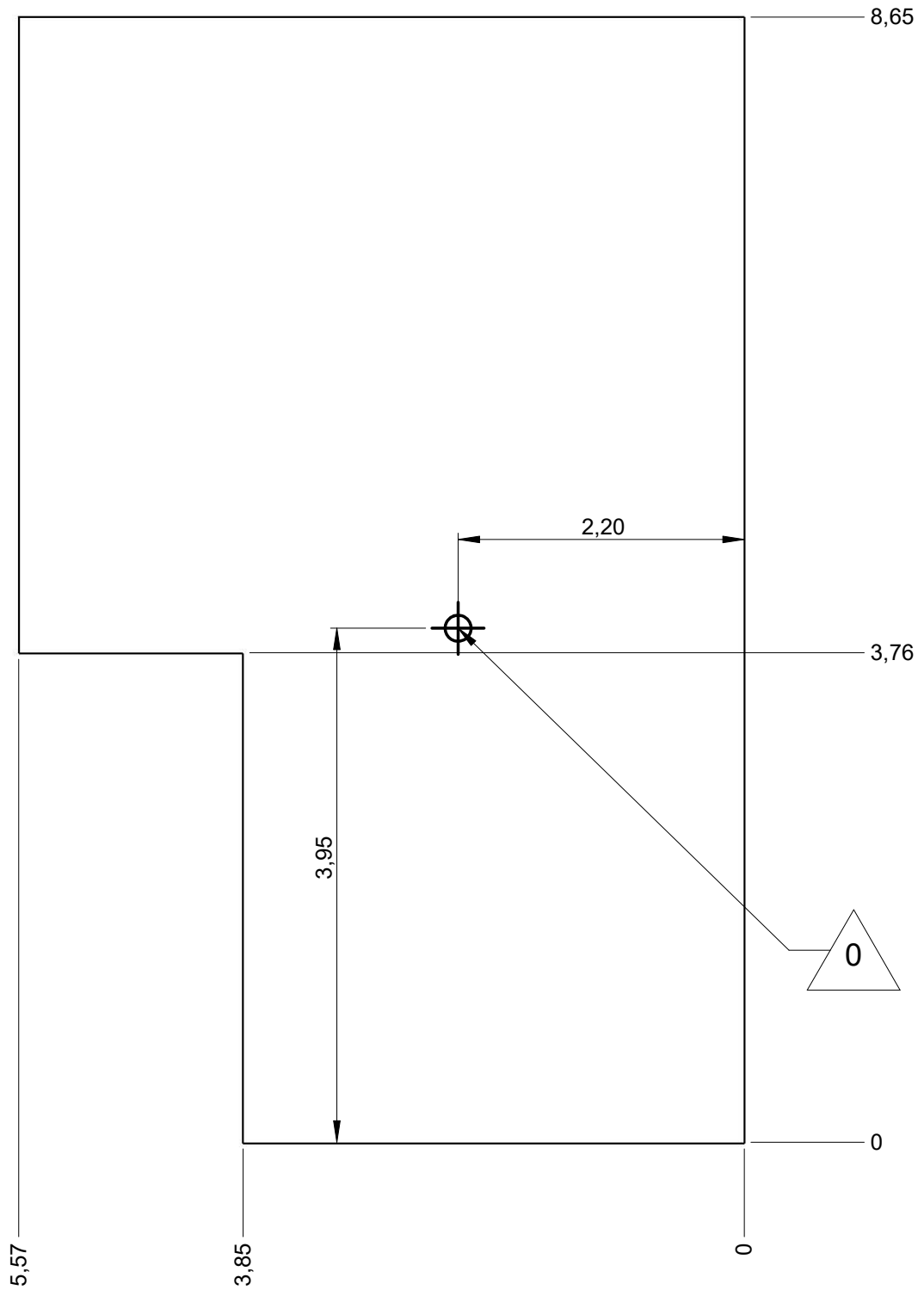


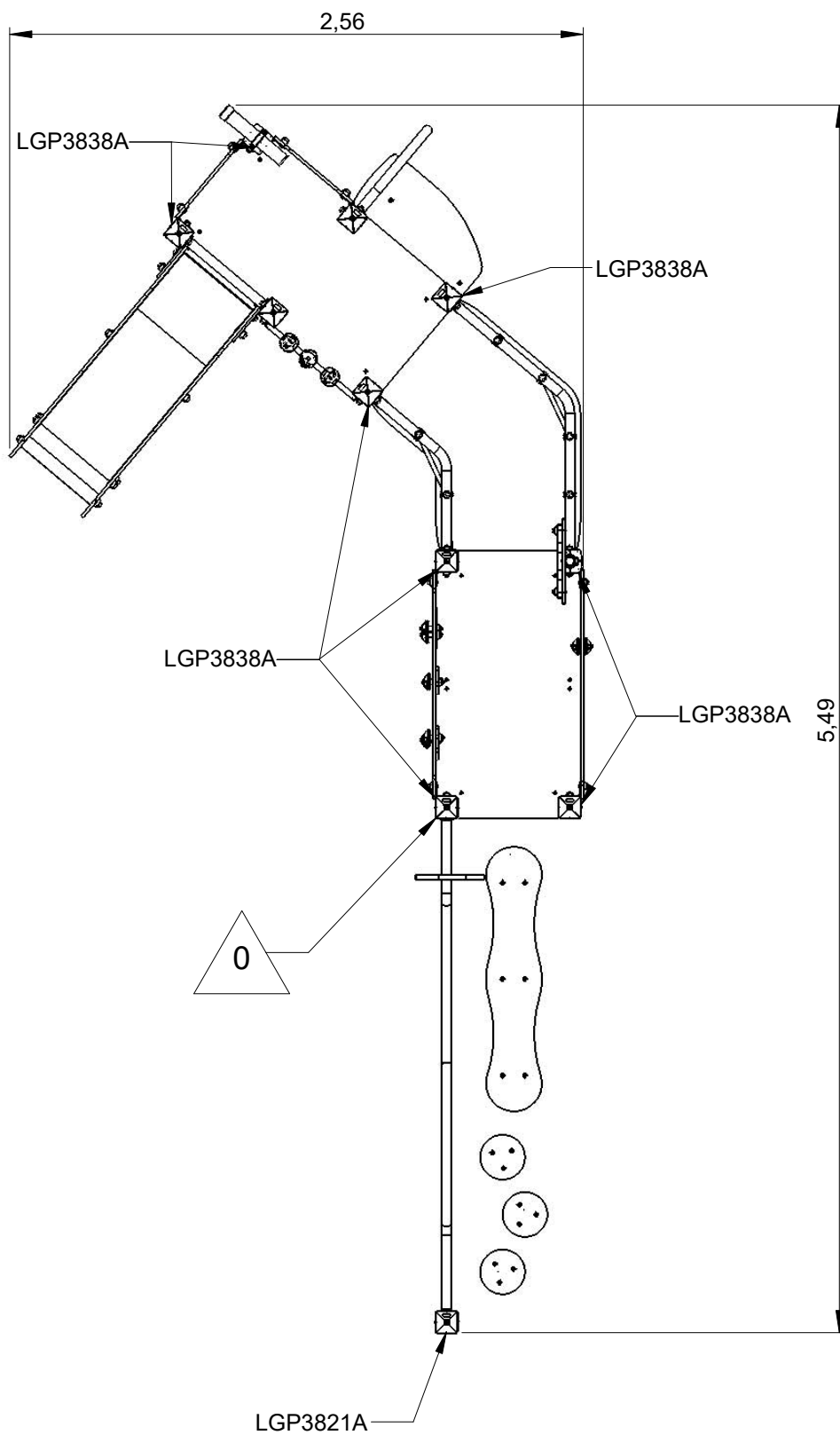
— Dalle béton  
 Concrete pad  
 Solera de hormigon  
 Beton Bodenplatte  
 Betonnen bodemplaat

26 m  
 36 m<sup>2</sup>

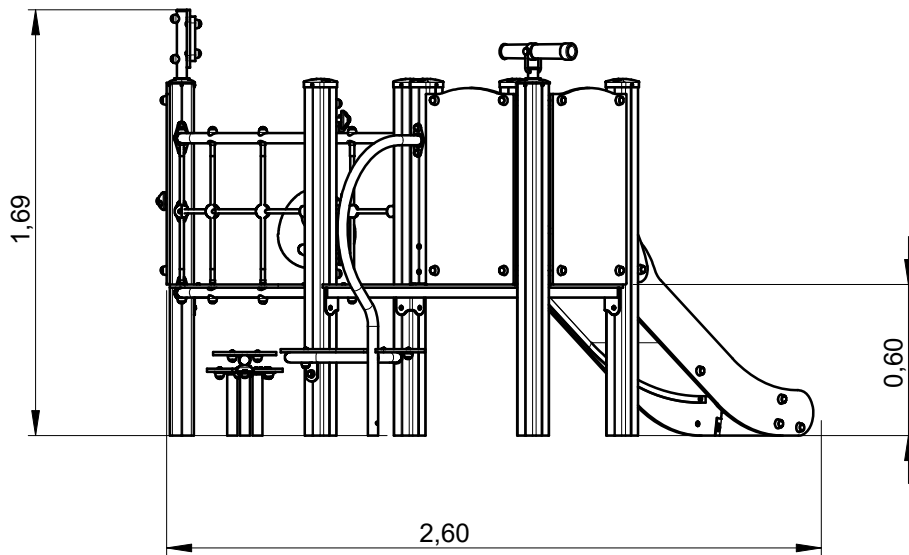
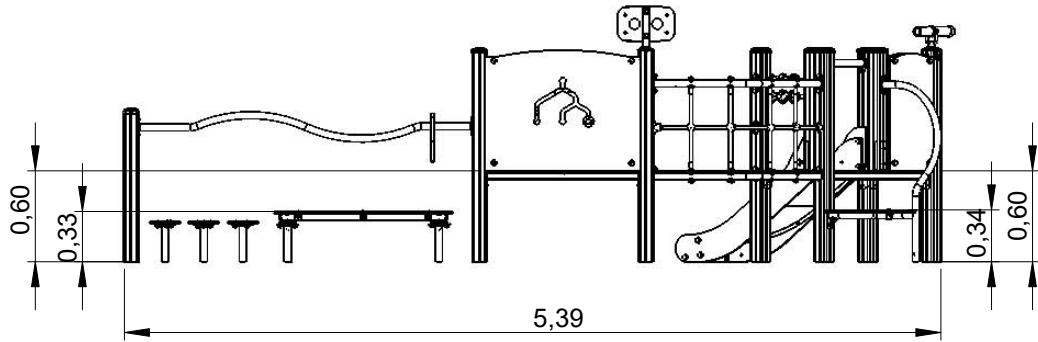


— Sol fluent  
Loos partucule material 28.5 m  
Arenero  
Loses Bodenmaterial 42 m<sup>2</sup>  
Los bodemmaterial

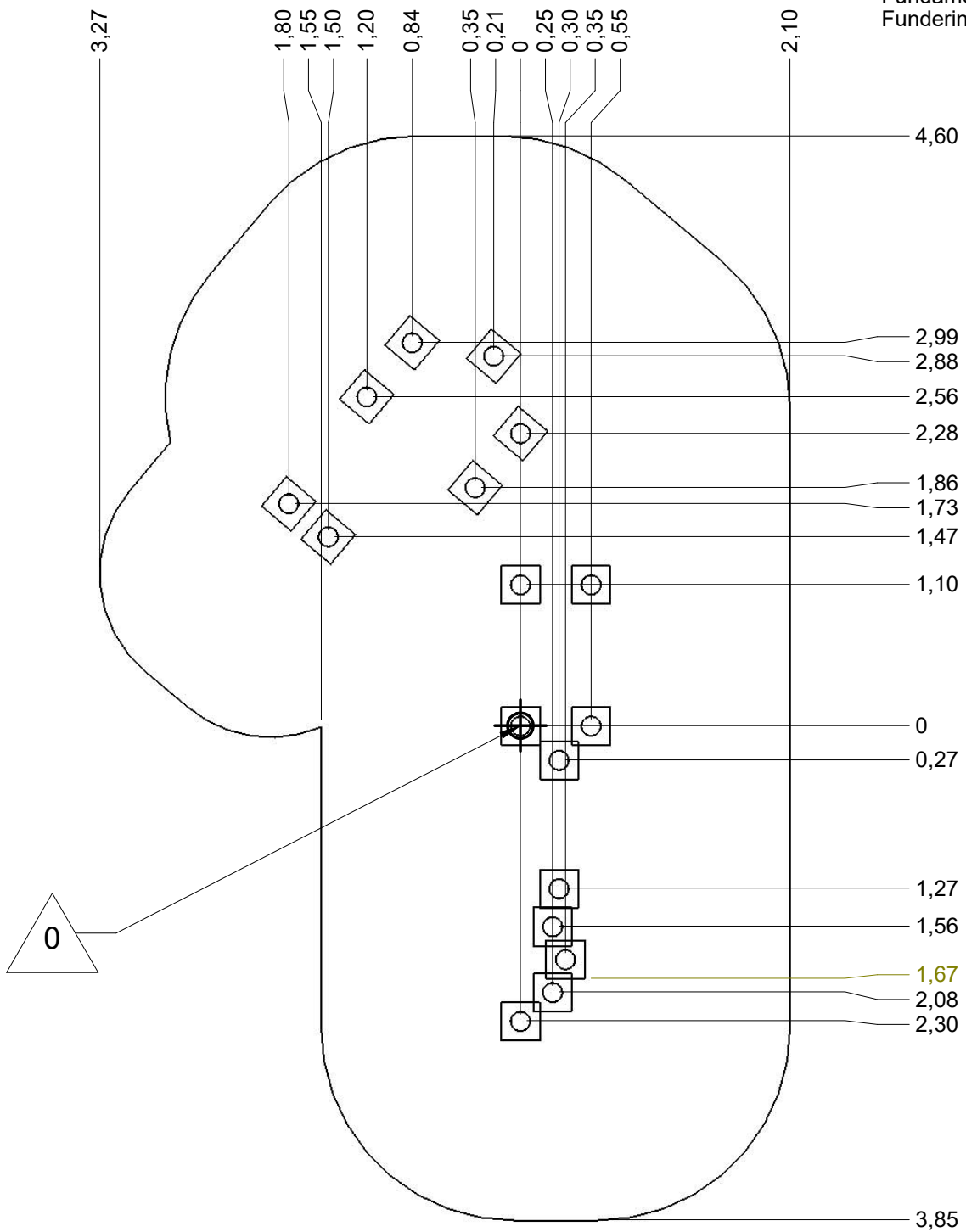




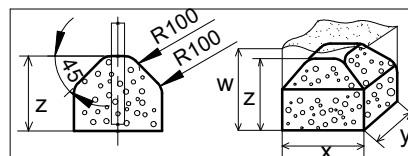







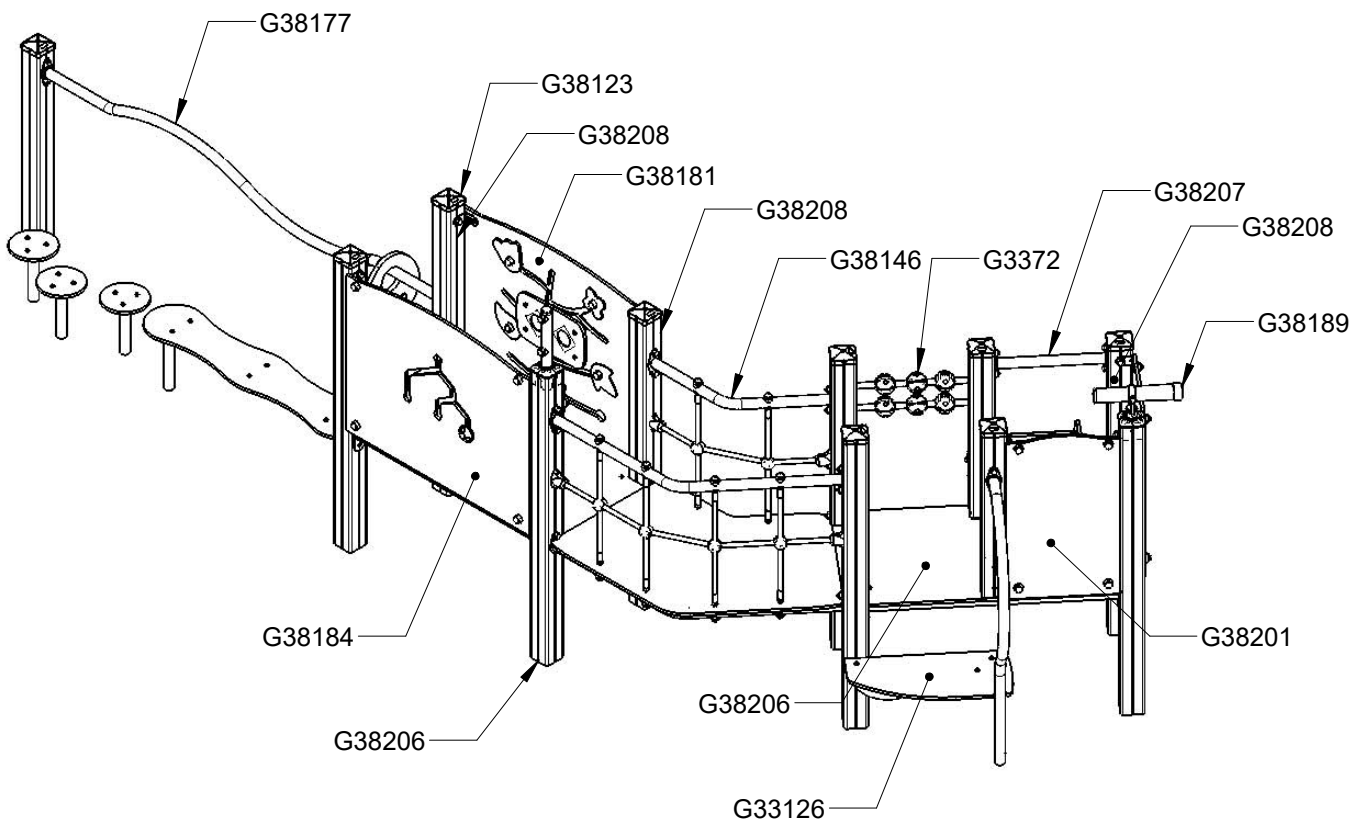
Implantation  
 Footing plan  
 Implantación  
 Fundamentplan  
 Funderingstekening



 x2  
 12H  
 0.5 m<sup>3</sup>

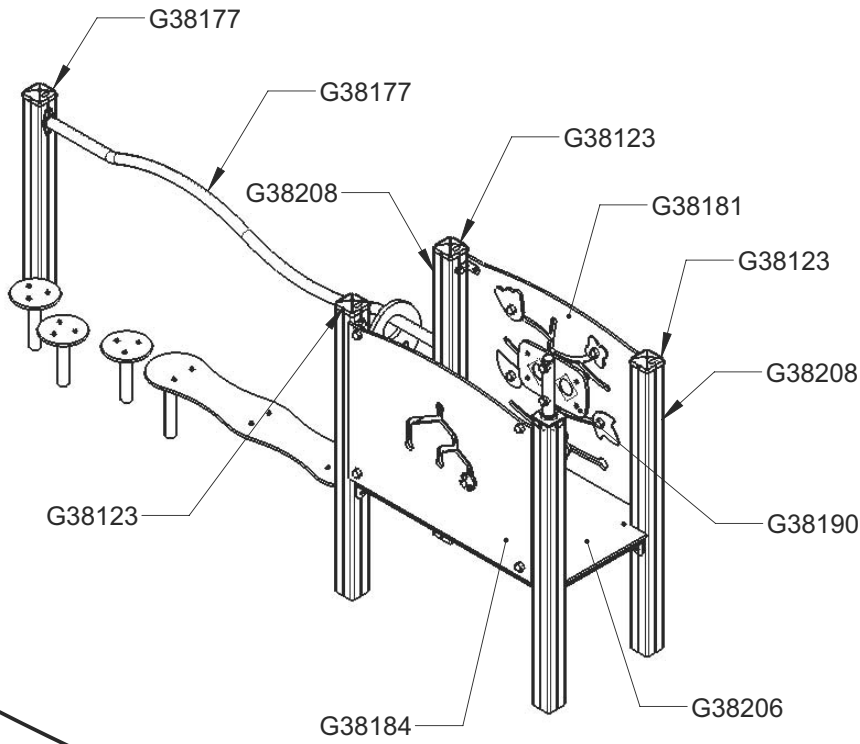


	x	y	z	w
	0.3	0.3	0.3	0.6
	0.4	0.4	0.3	0.6
	0.6	0.3	0.3	0.6

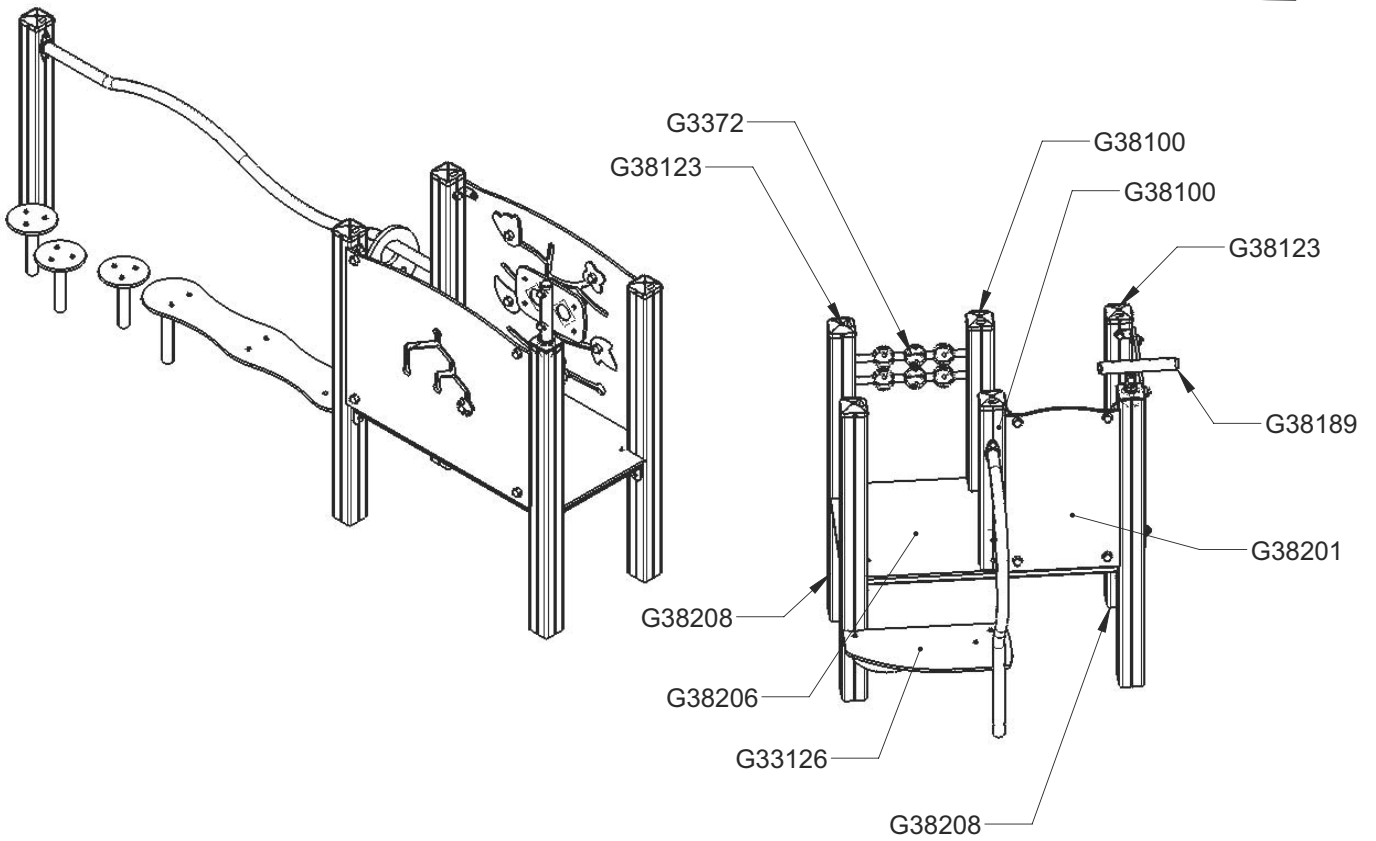


Réf	Qté
G3372	1
G33126	1
G38100	2
G38123	8
G38146	1
G38177	1
G38181	1
G38184	1
G38189	1
G38190	1
G38201	2
G38206	2
G38207	1
G38208	4

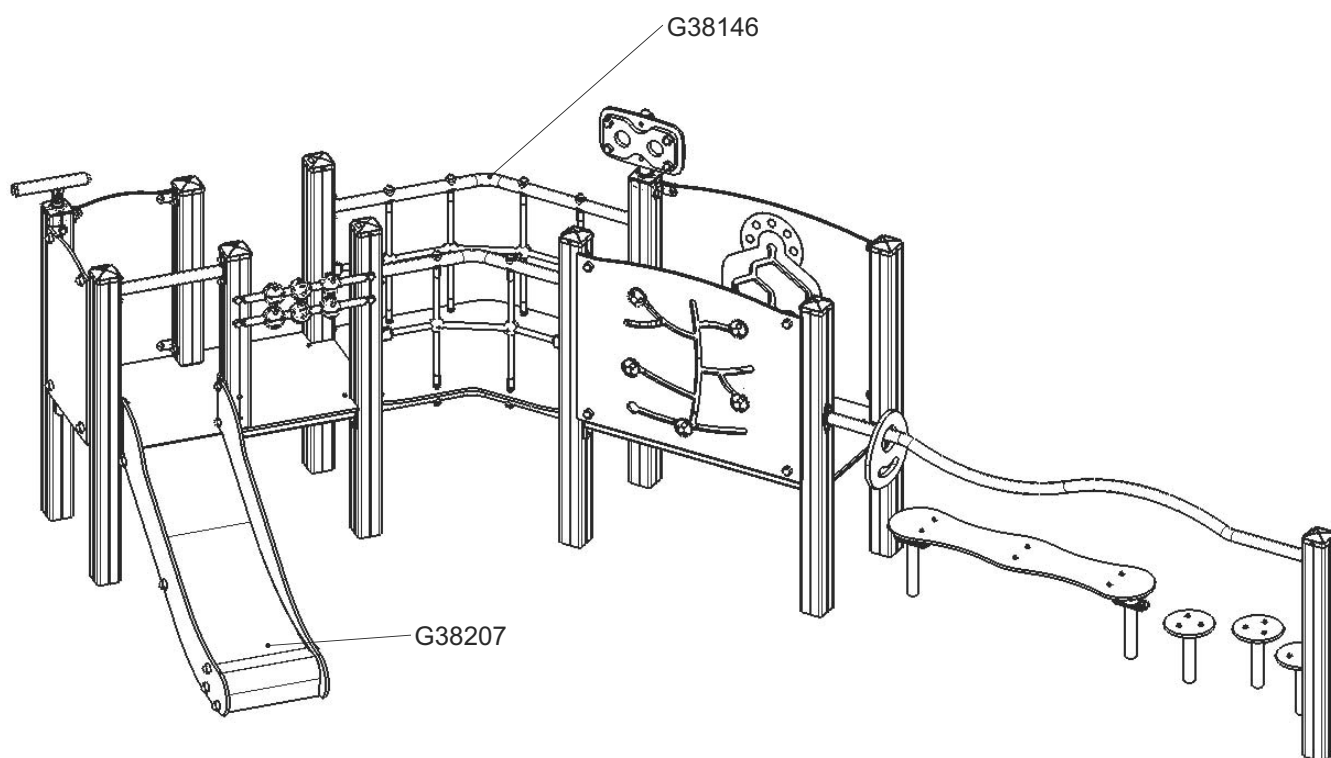
1

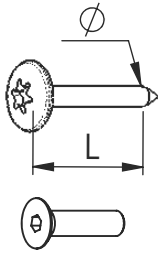


2



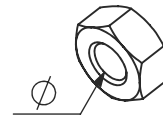
3



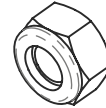


VBT 6 x 30  
 $\varnothing$  L (mm)

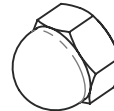
VFHC



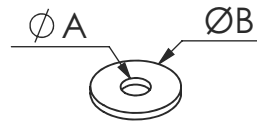
VEC M10  
 $\varnothing$



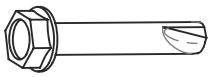
VEF



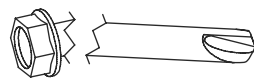
VEB



VR6x18  
 $\varnothing A$   $\varnothing B$



VTHA

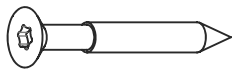


**1000 - 1800 tr/min**

Vitesse de rotation  
 Rotation speed

**14 N.m**

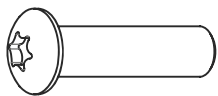
Couple de rupture  
 Torque of break



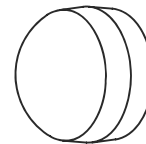
VWT



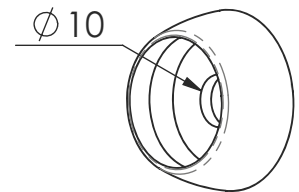
VGC



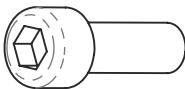
VCBHC



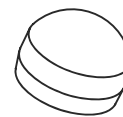
M10 440N



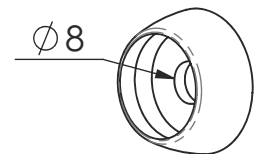
M10 310 N



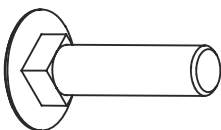
VBTR



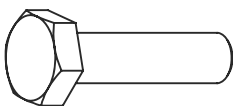
M8440N



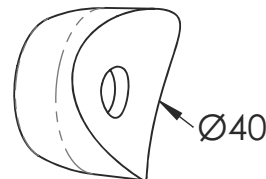
M8310N



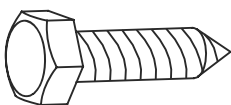
VTRCC



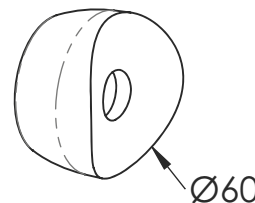
VTH



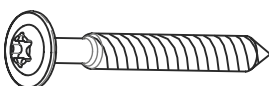
MI2503



VTF

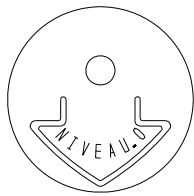


MI2701



VBT

# A



MI0002

VCBHCM10

M10310N  
VEFM10  
M10440N

LG08

M10440N  
VEFM10  
MI2503

LG3802

M10440N  
VTH10\*80  
MI2503

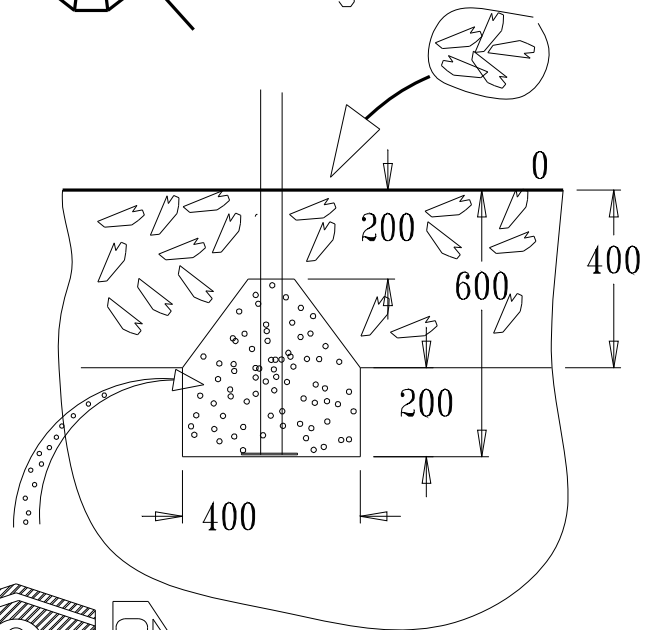
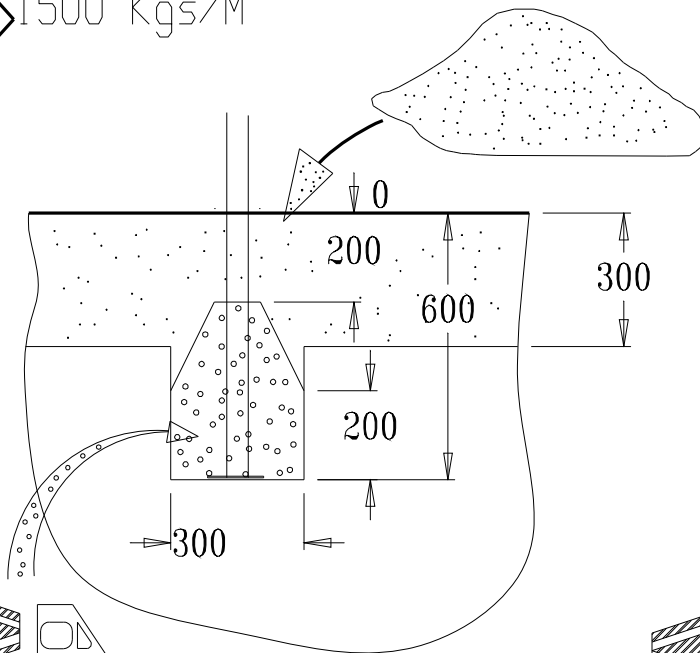
LG3804

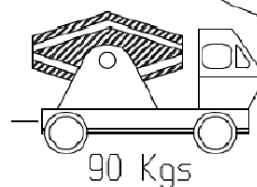
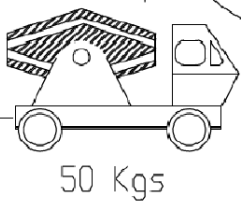
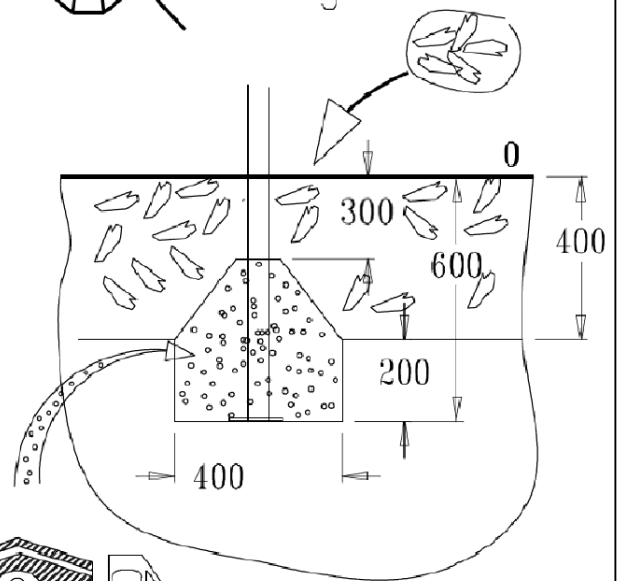
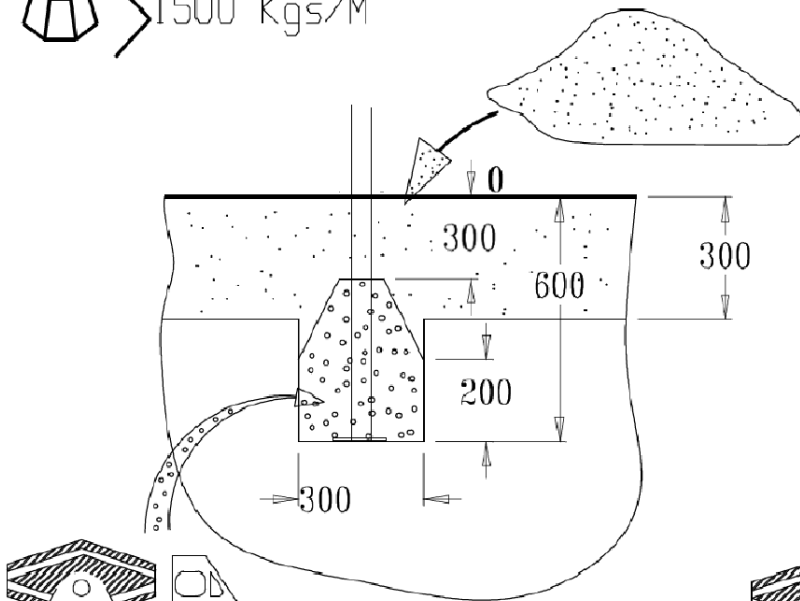
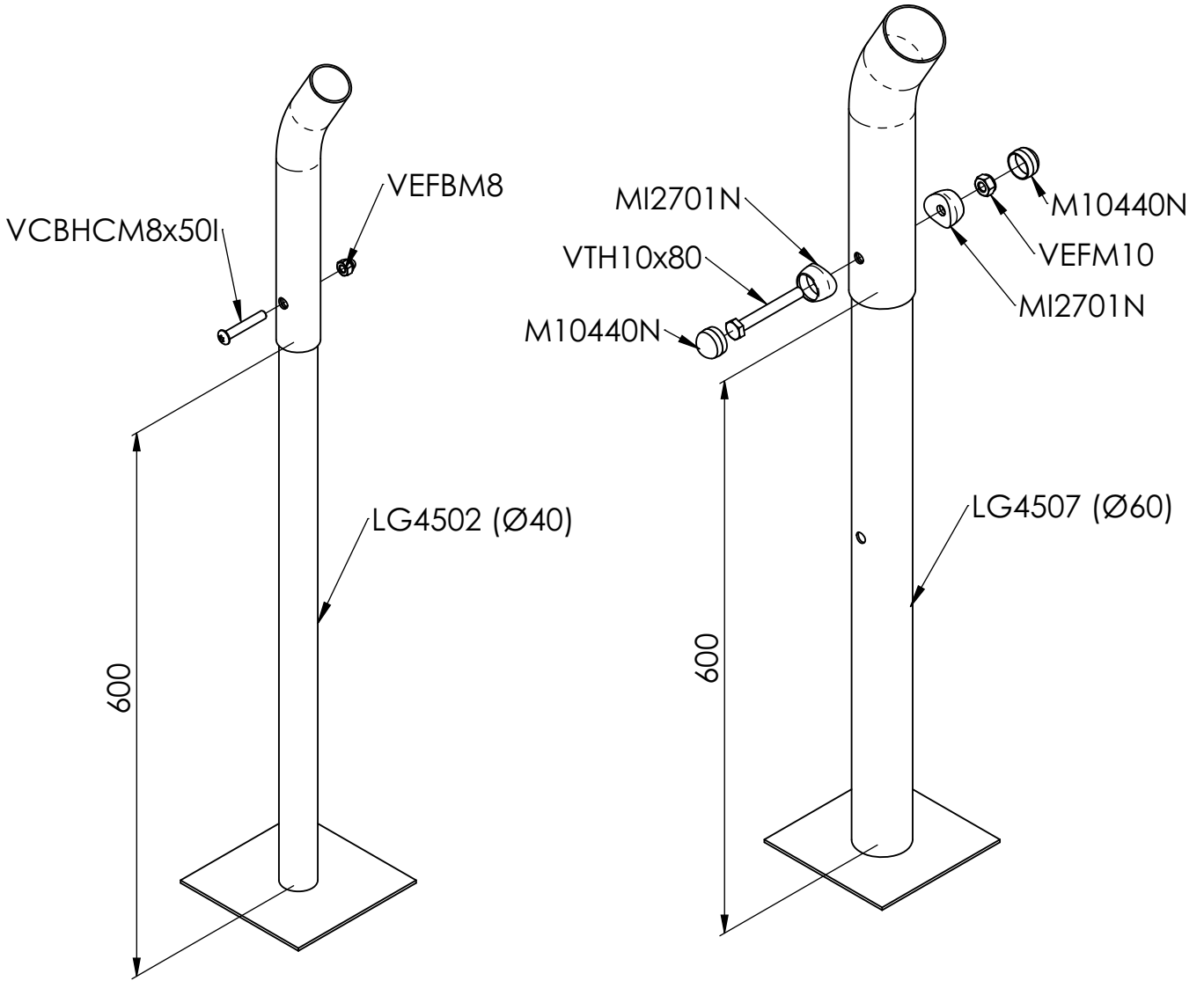


> 1500 Kgs/M<sup>3</sup>



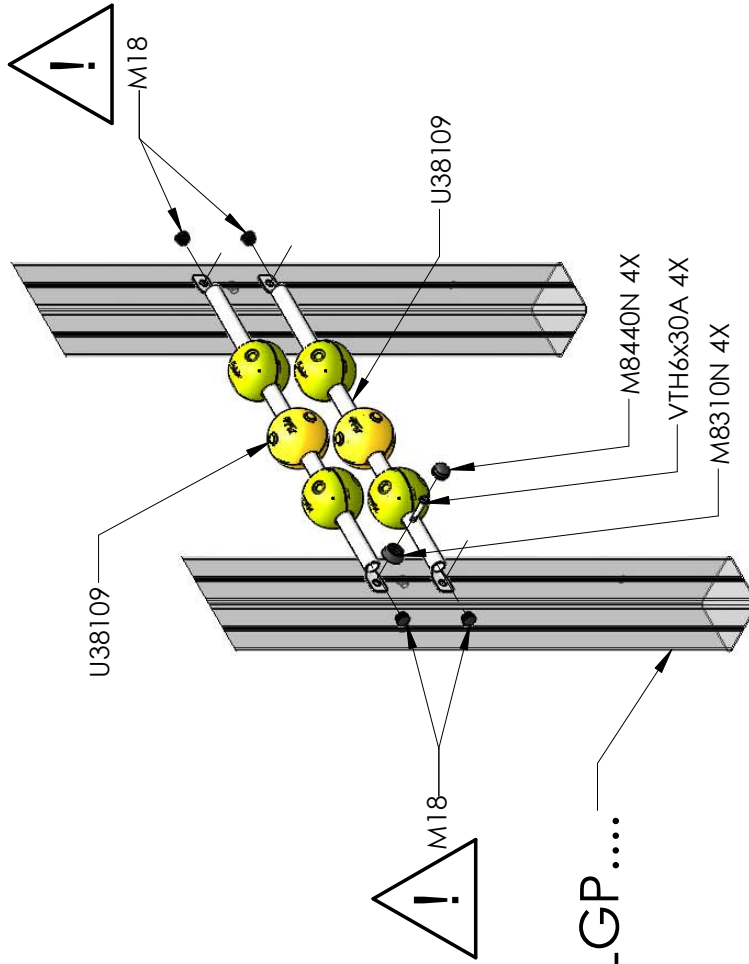
< 1500 Kgs/M<sup>3</sup>



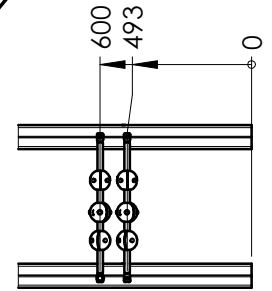




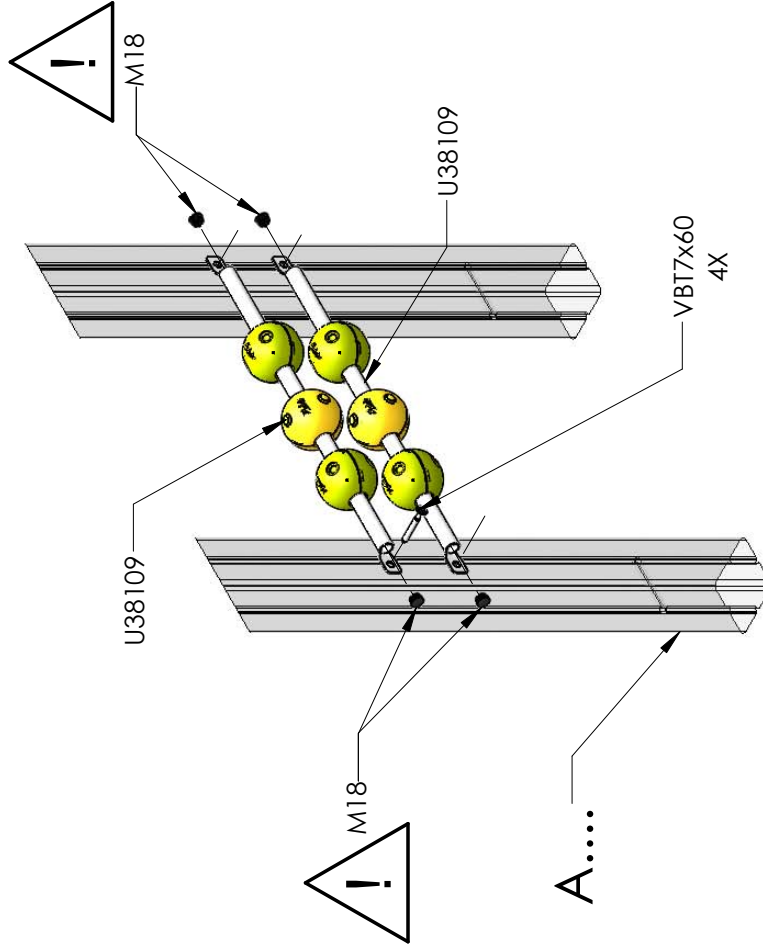
# LGP.....



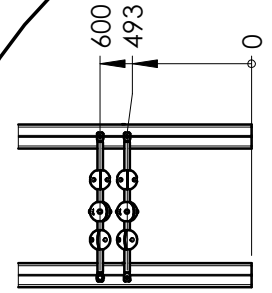
Réf	Qté
M18	4
M8310N	4
M8440N	4
U38109	2
VTH6x30A	4

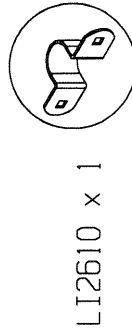
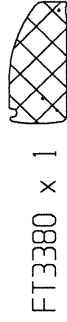
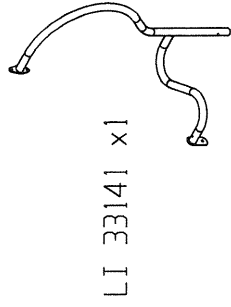
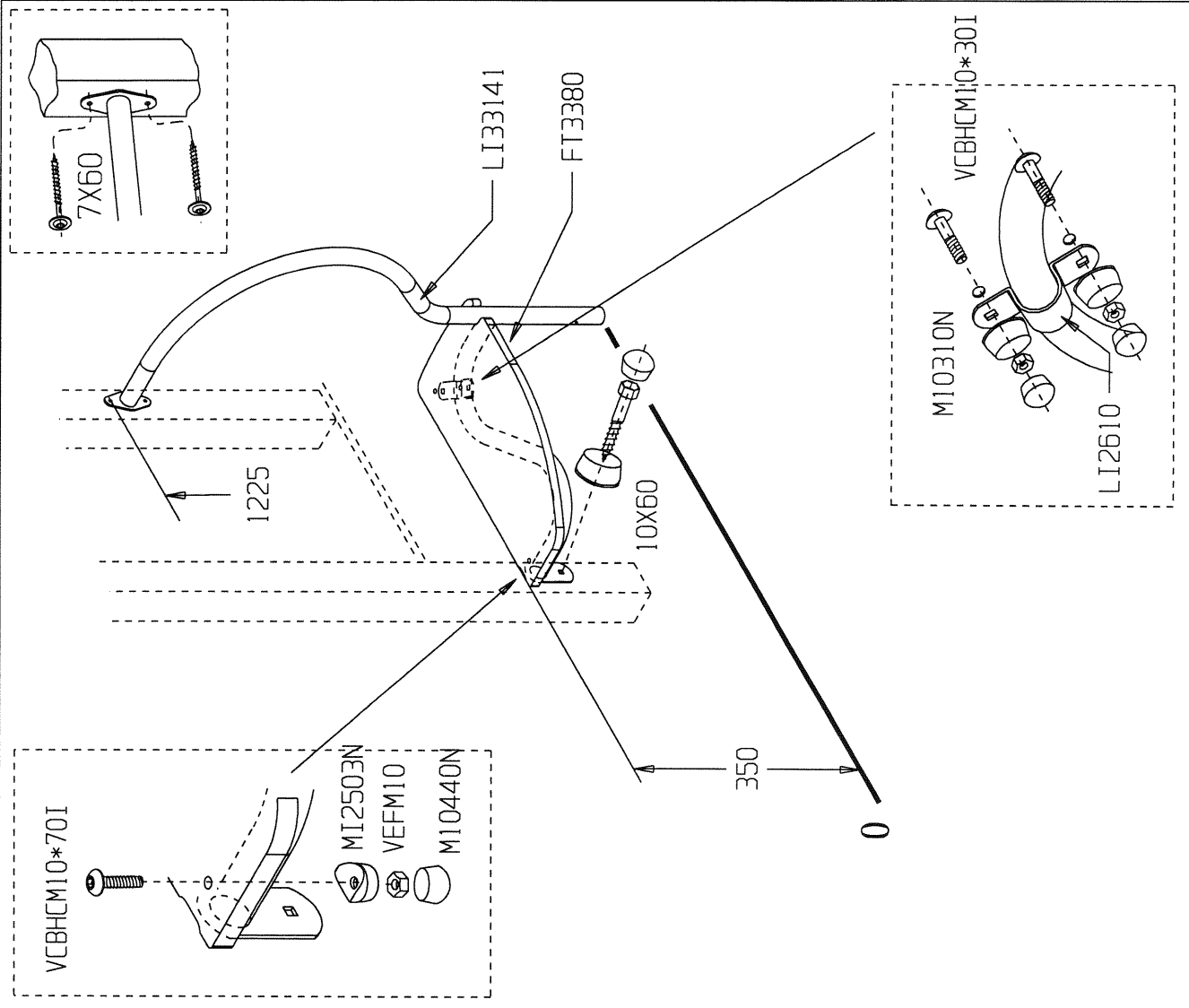


# A.....

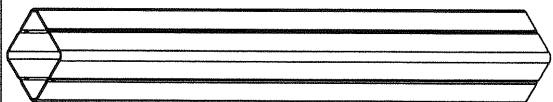


Réf	Qté
M18	4
U38109	2
VBT7x60	4





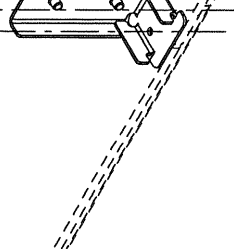
	VBT 7x60	2
	VCBHCM10*30I	2
	VCBHCM10*70I	1
	VTF 10x60	1
	M10310N	3
	M10440N	4
	VEFM10	3
	M2503	1



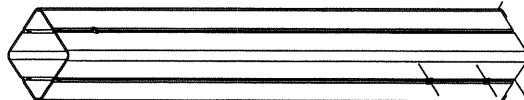
1



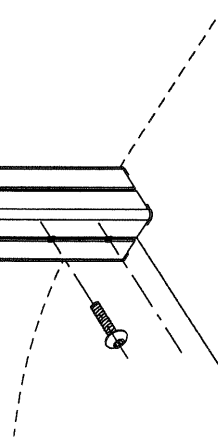
VCBHC8\*30I  
X2



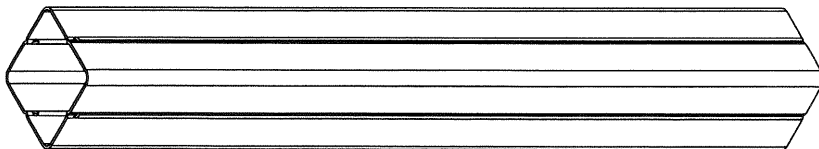
2



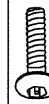
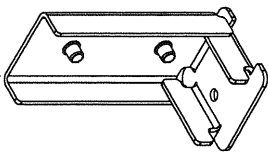
VCBHC10\*30I  
X2



LGP3834

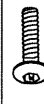


LG3812



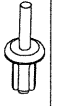
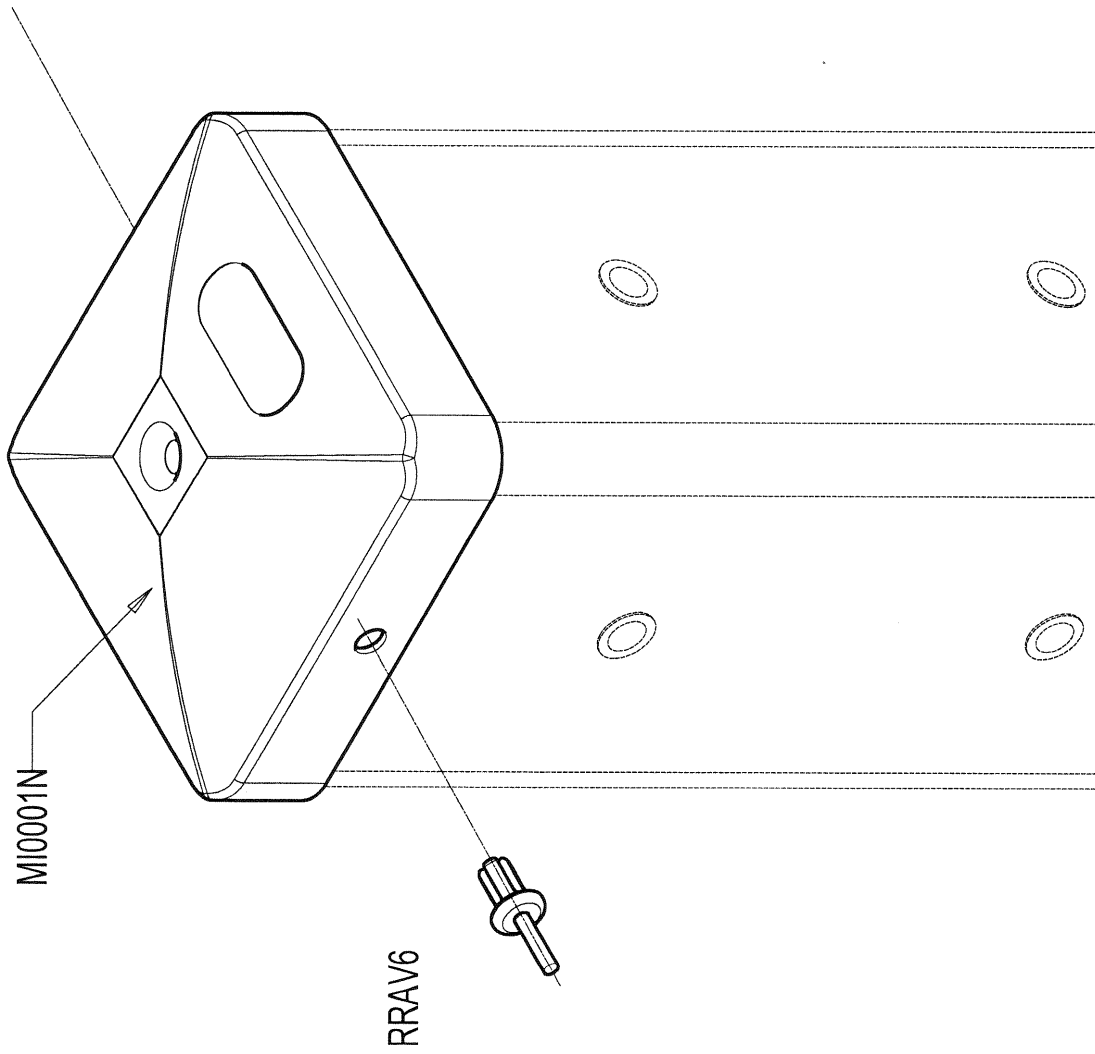
VCBHC10X30I

2



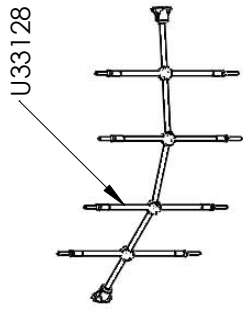
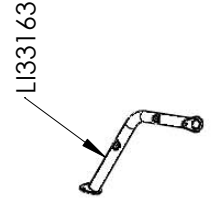
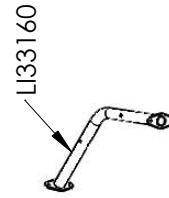
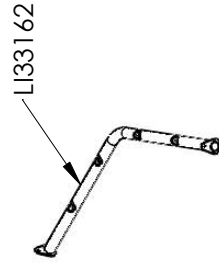
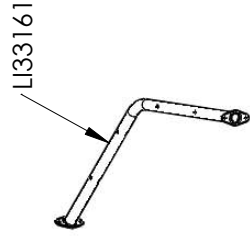
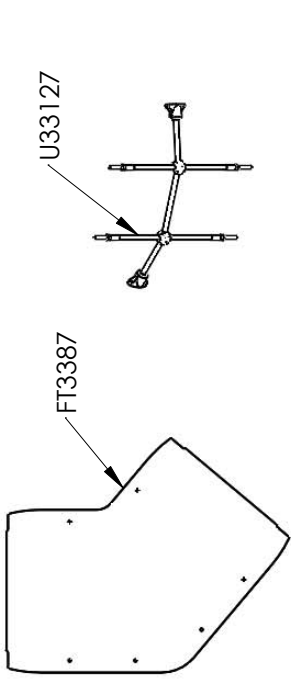
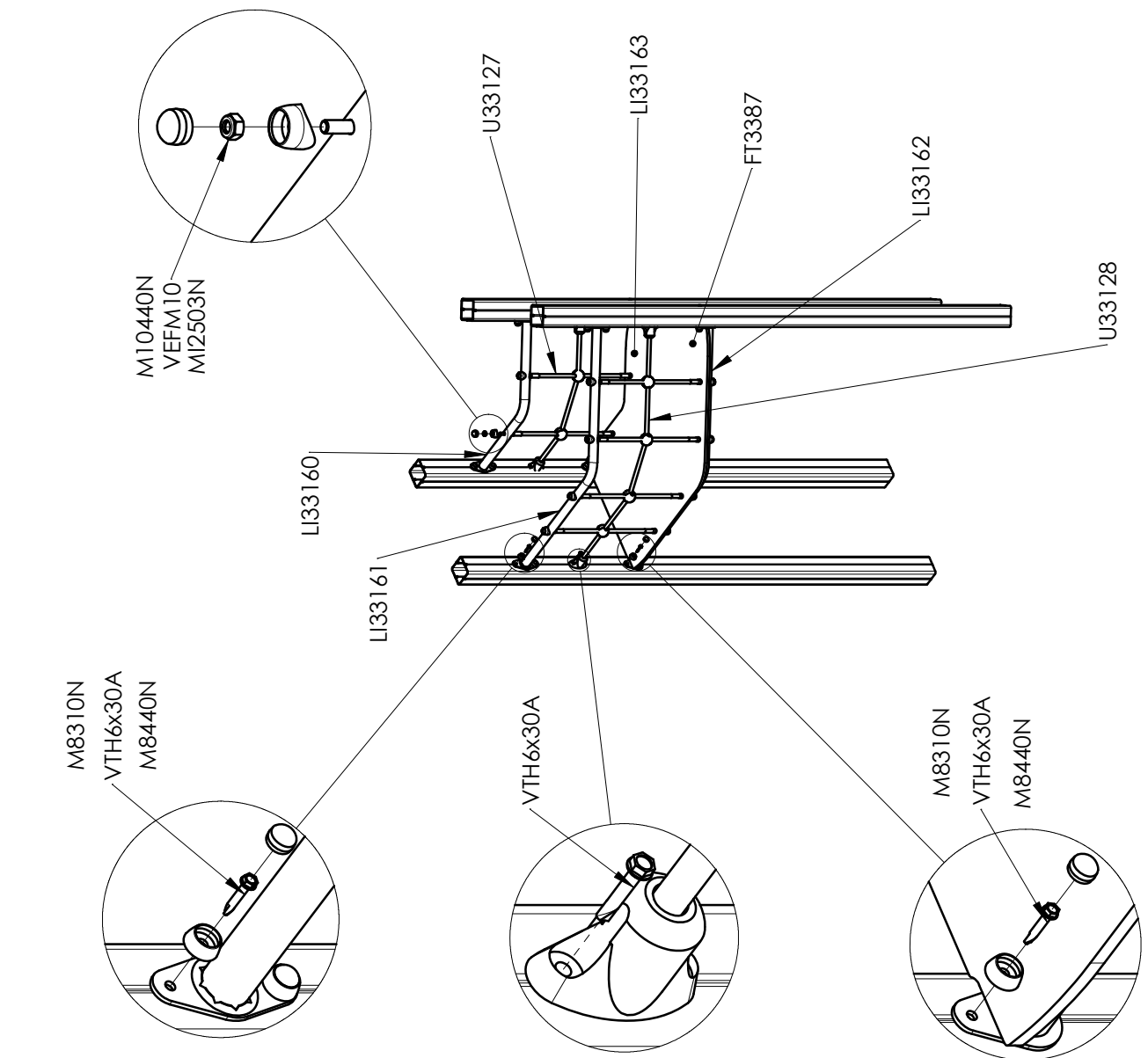
VCBHC8X30I

2

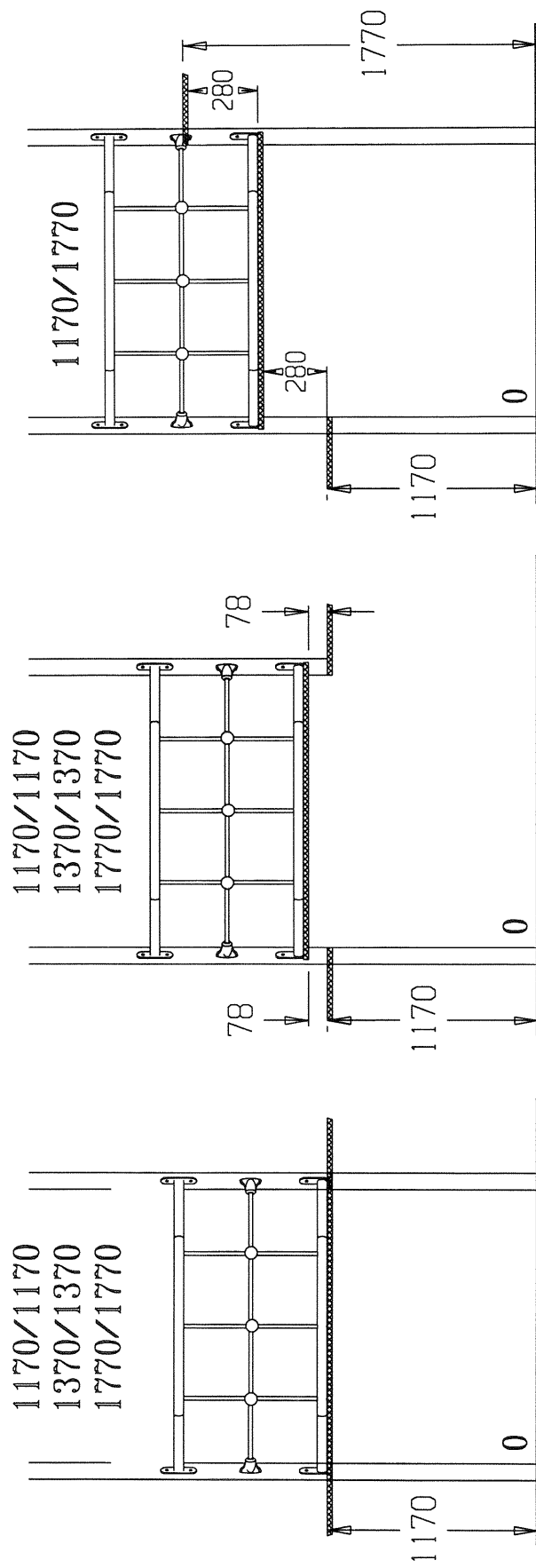
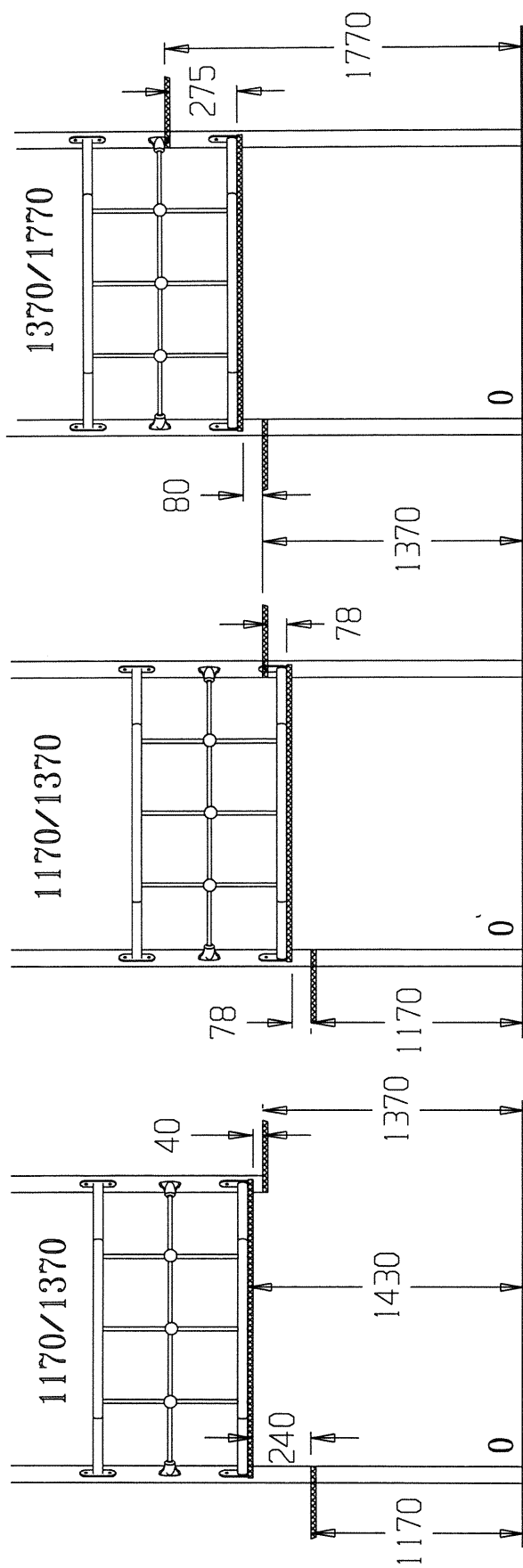


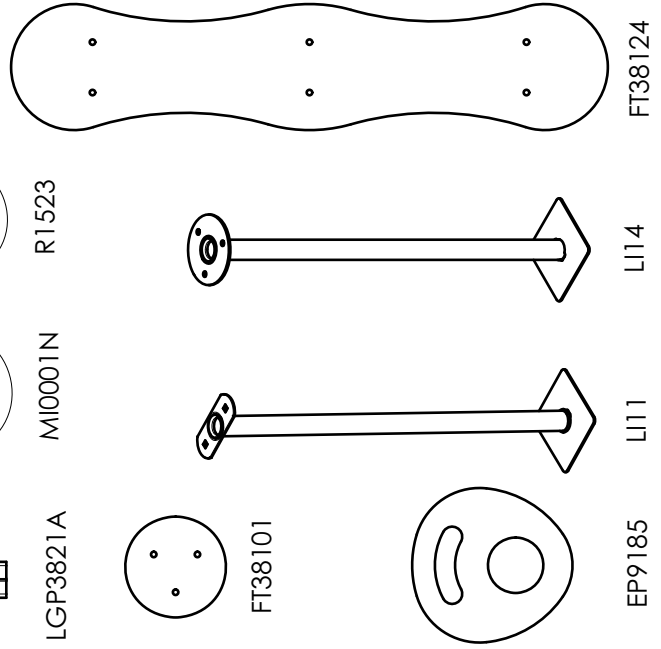
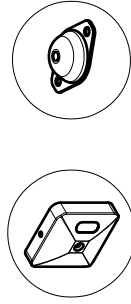
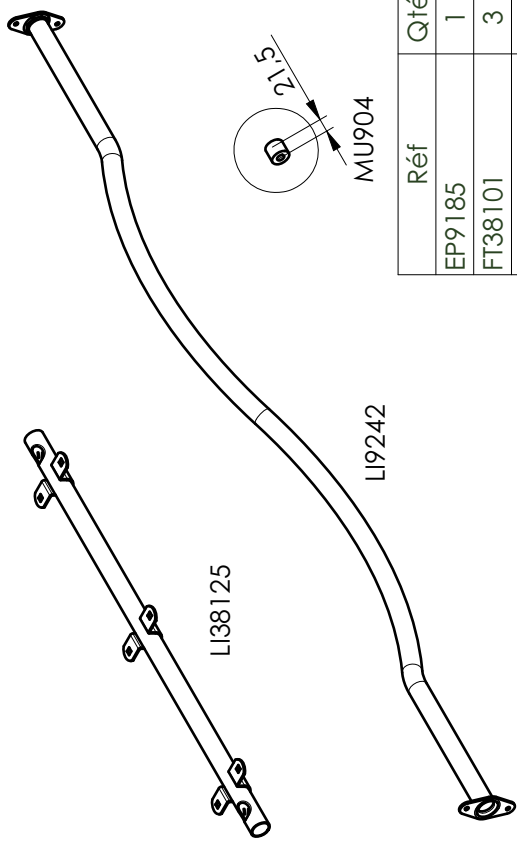
RRAV6

2

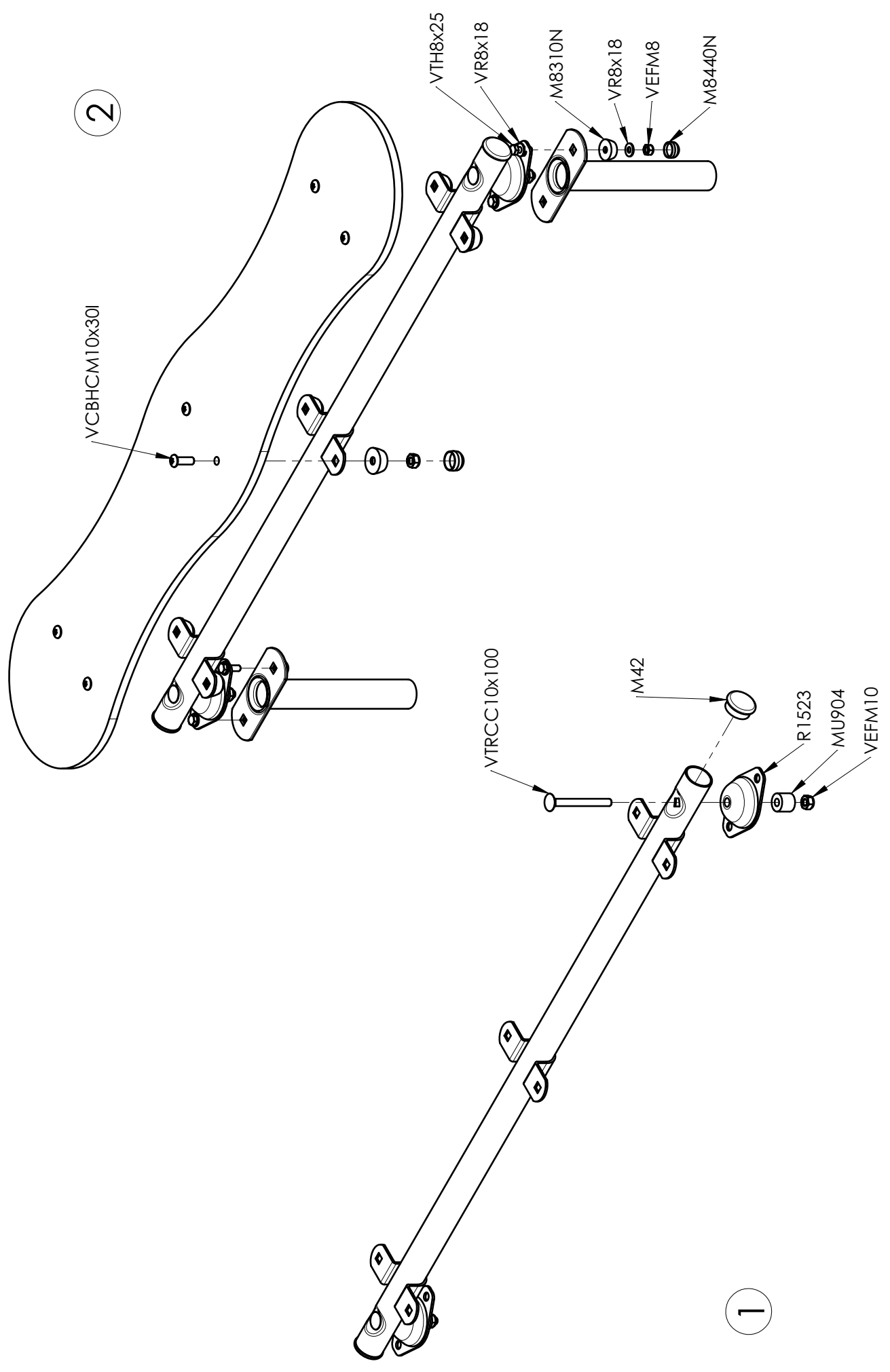


Réf	Qté
FT3387	1
LI33160	1
LI33161	1
LI33162	1
LI33163	1
M8310N	12
M8440N	12
M10440N	12
MI2503N	12
U33127	1
U33128	1
VEFM10	12
VTH6x30A	20

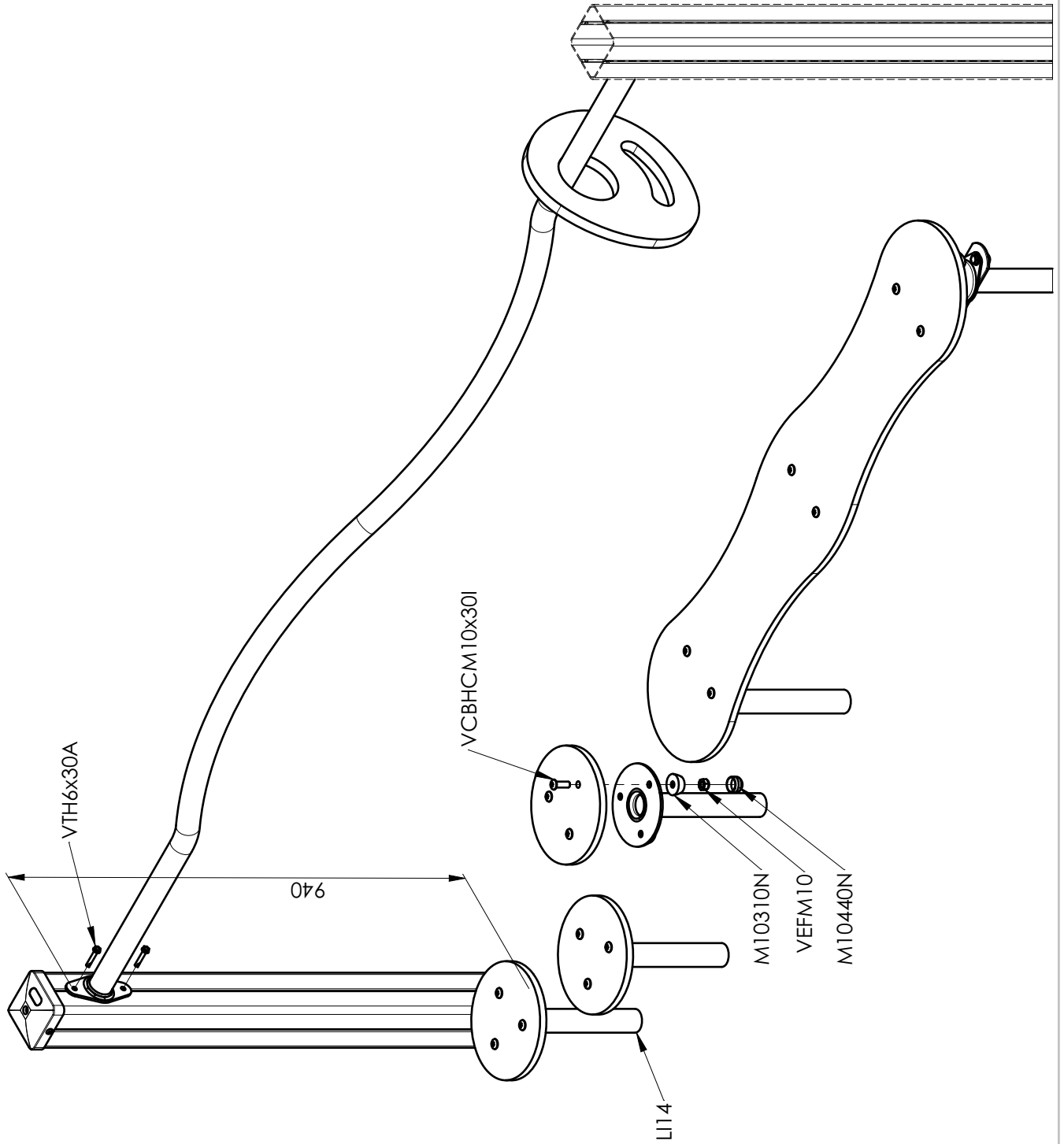




Réf	Qté
EP9185	1
FT38101	3
FT38124	1
LGP3821A	1
LI11	2
LI14	3
LI9242	1
LI38125	1
M42	2
M8310N	4
M8440N	4
M10310N	15
M10440N	15
MI0001N	1
MU904	2
R1523	2
RRAV6	2
VCBHC10x30I	15
VEFM8	4
VEFM10	17
VR8x18	8
VTH6x30A	2
VTH8x25	4
VTRCC10x100	2







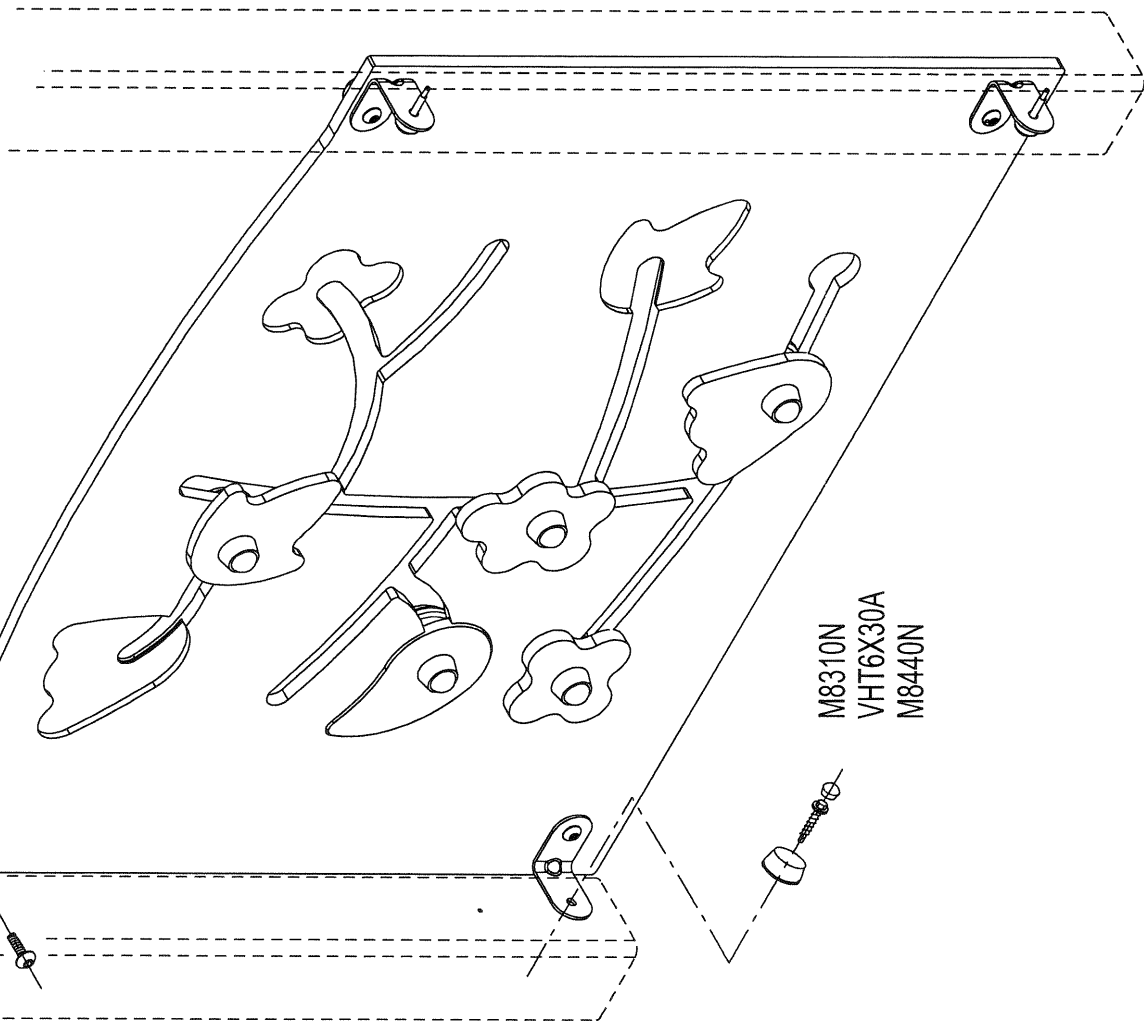
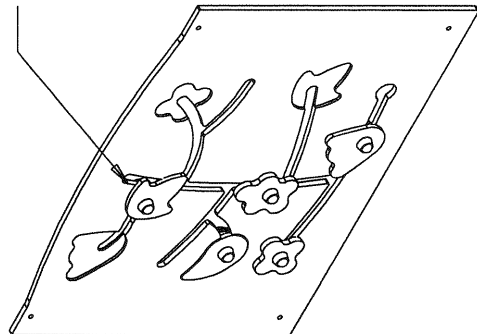
M10440N  
VEFM10  
M10310N

VCBHC10X30I

M8310N  
VHT6X30A  
M8440N

U3843

P30  
x4

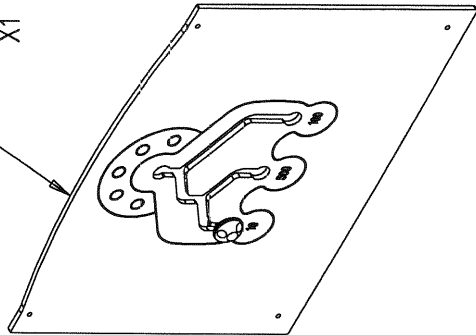


	VCBHC10x30I	4
	M8440N	4
	M8310N	4
	M10440N	4
	M10310N	4
	VEFM10	4
	VTH6X30A	4

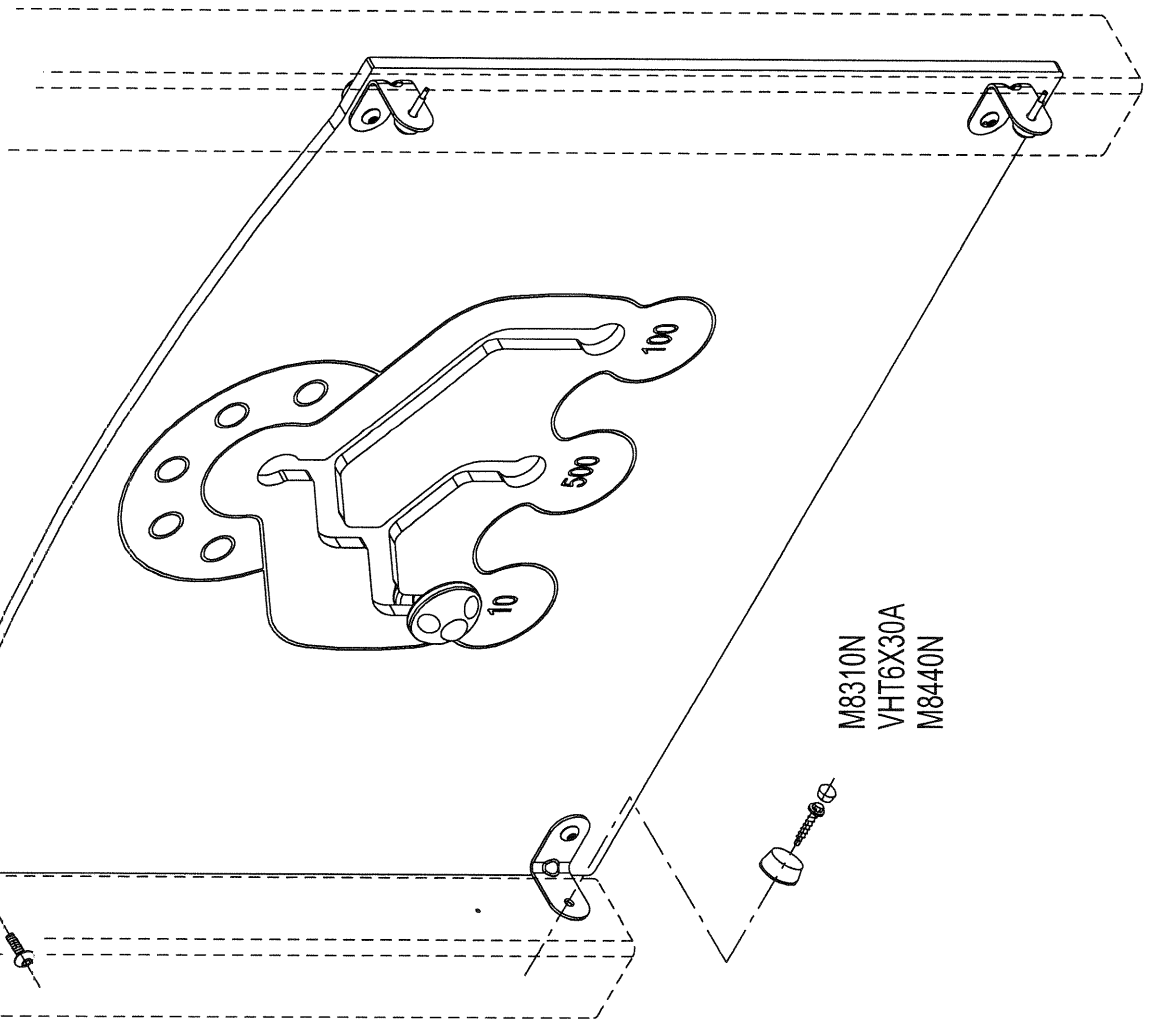
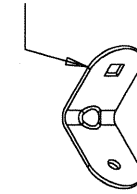
M10440N  
VEFM10  
M10310N

VCBHC10X30I

U3832  
X1

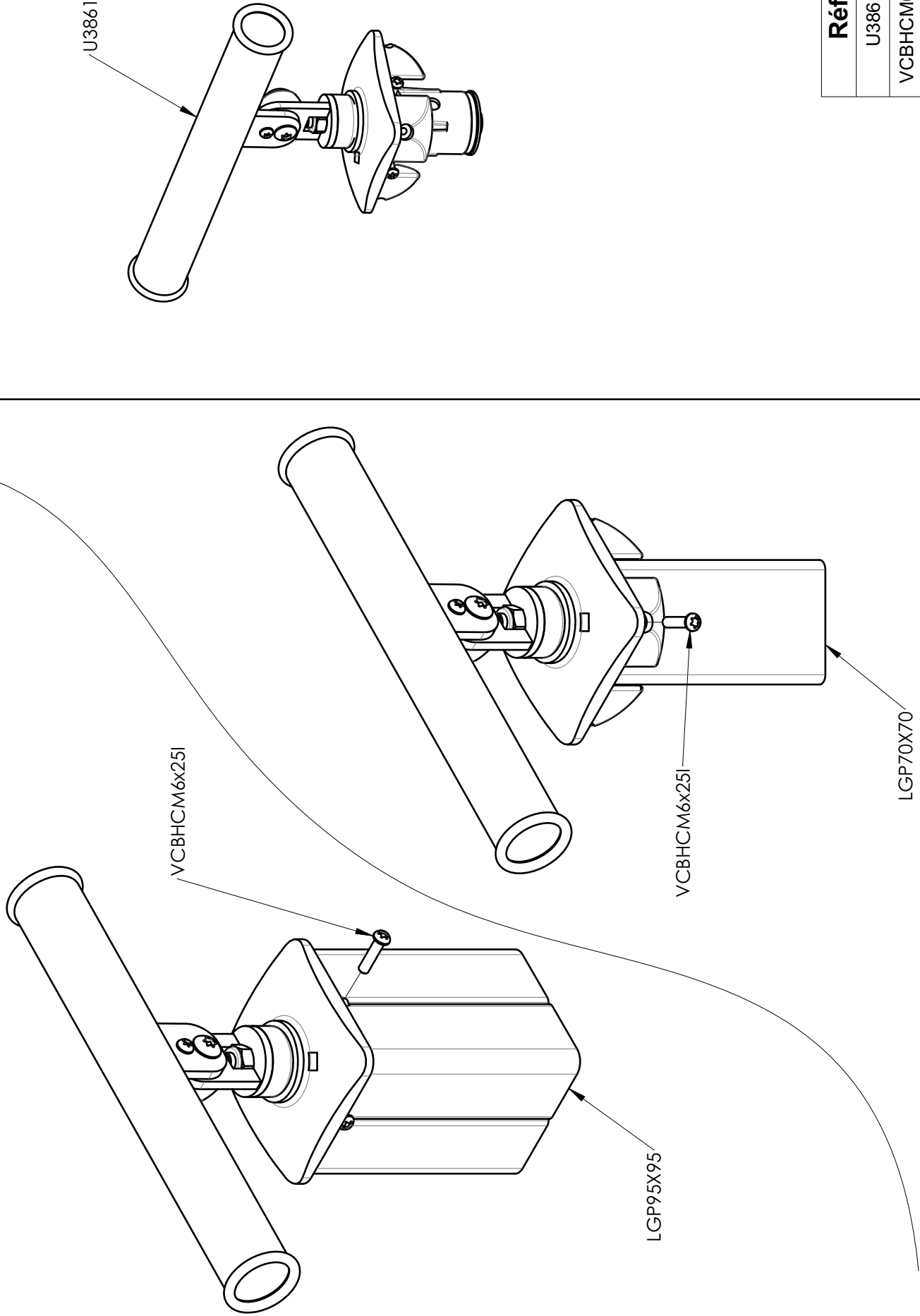


P30  
x4

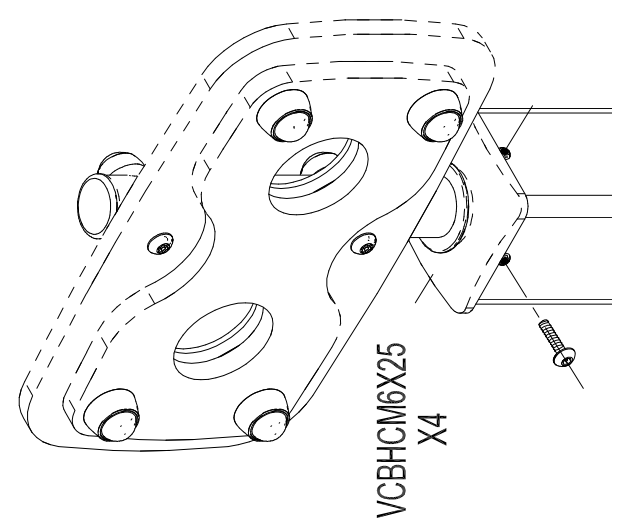
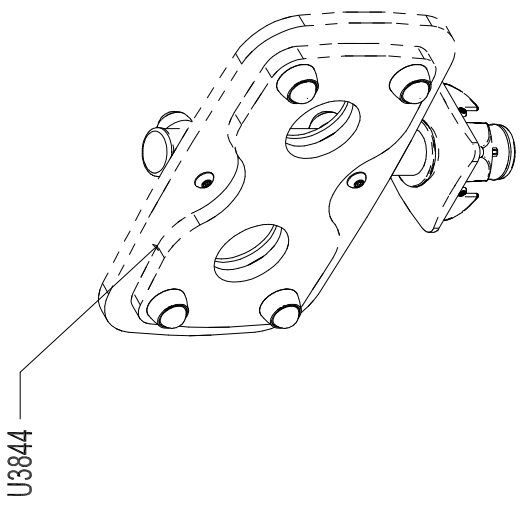


M8310N  
VHT6X30A  
M8440N

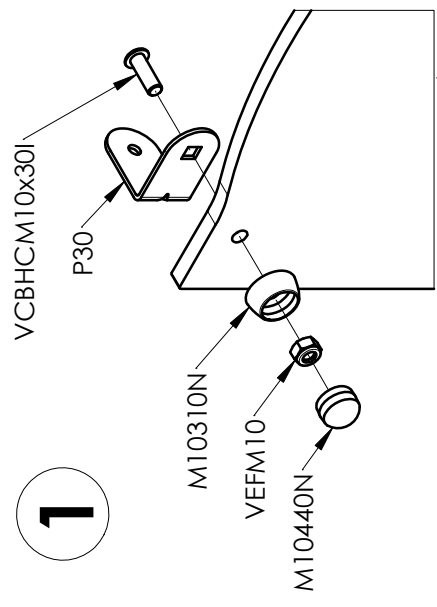
	VCBHC10x30I	4
	M8440N	4
	M8310N	4
	M10440N	4
	M10310N	4
	VEFM10	4
	VTH6X30A	4



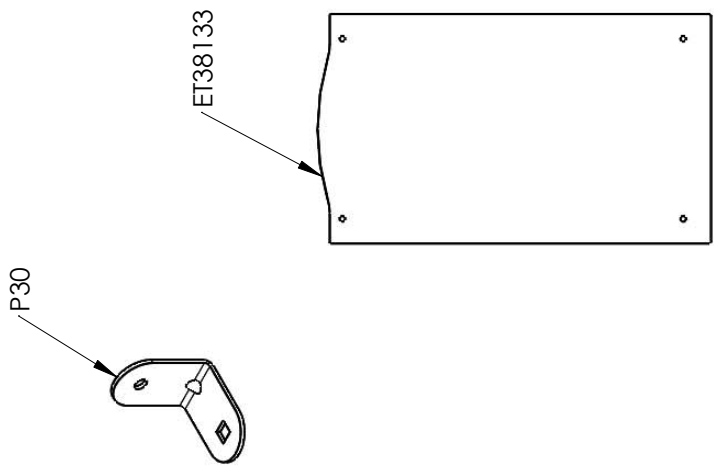
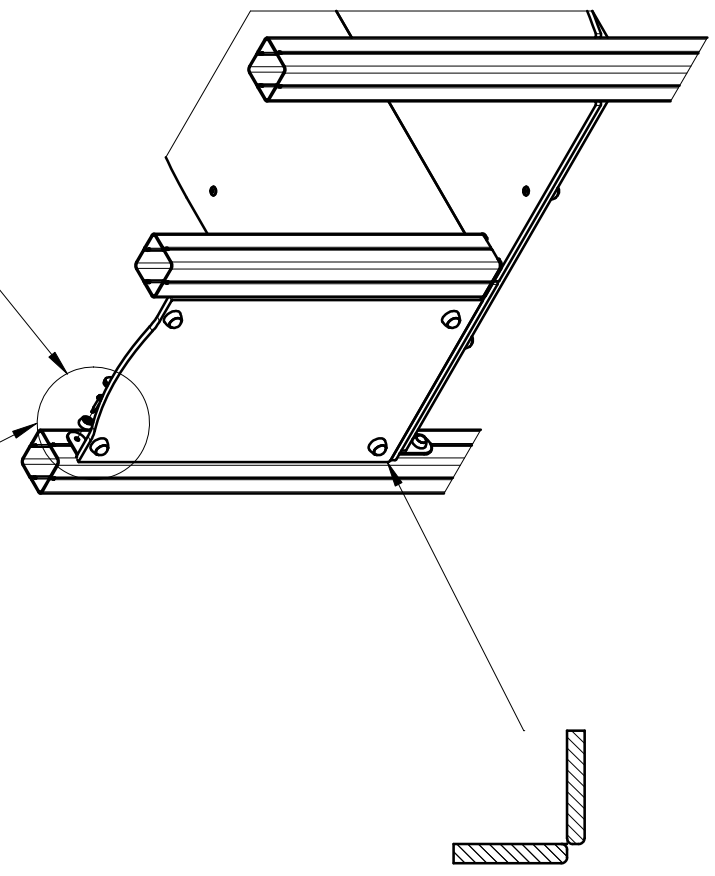
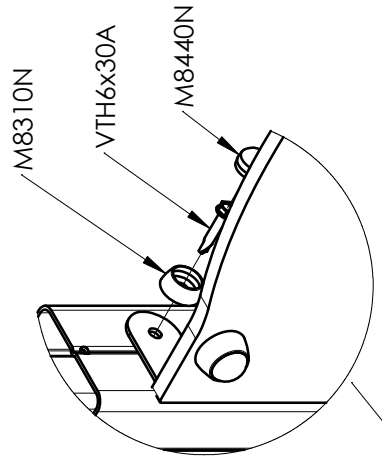
Réf	Qté
U3861	1
VCBHCM6x25I	4



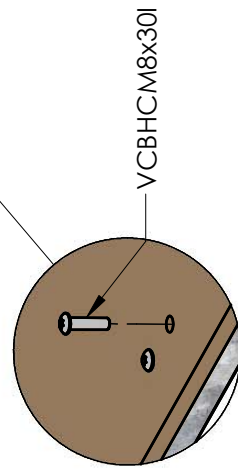
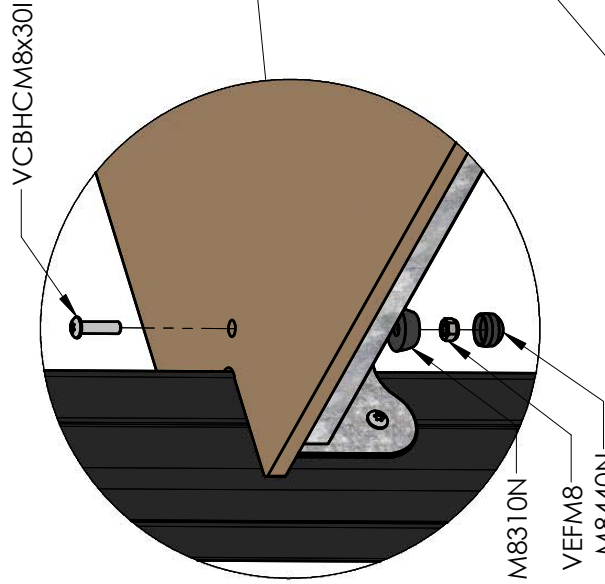
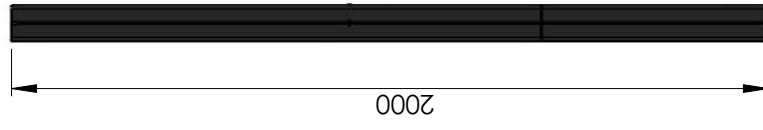
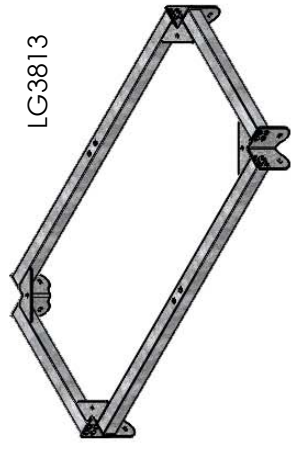
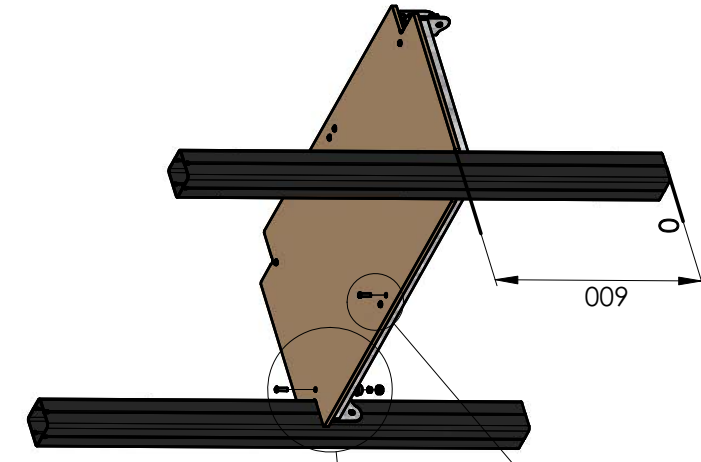
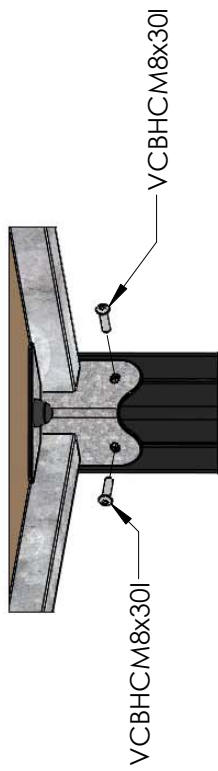
**1**



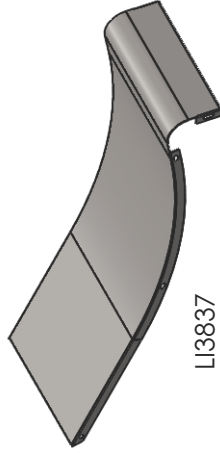
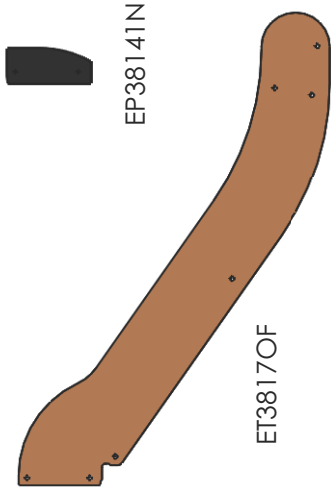
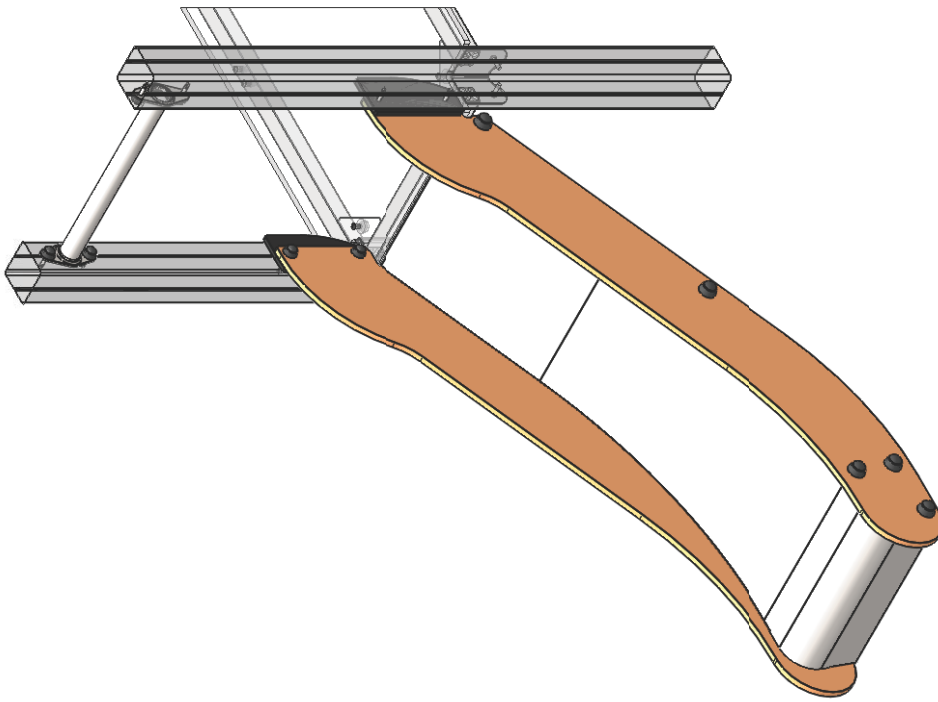
**2**



Réf	Qté
ET38133J	1
M8310N	4
M8440N	4
M10310N	4
M10440N	4
P30	4
VCBHCM10x30I	4
VEFM10	4
VTH6x30A	4



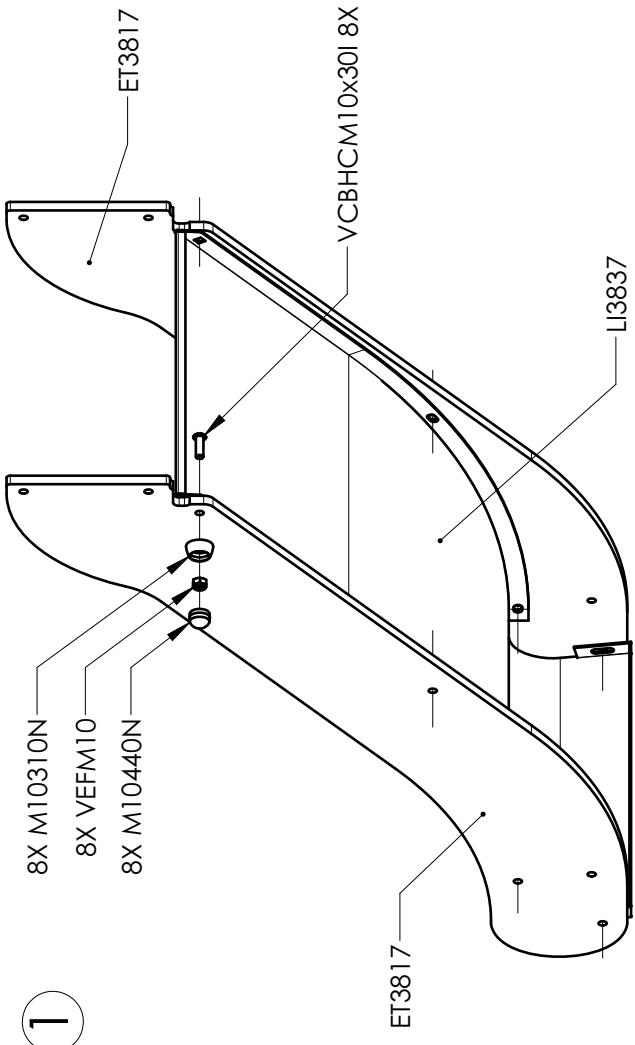
Réf	Qté
FT3858	1
LG3813	1
LGP3838A	2
M8310N	4
M8440N	4
VCBHCM8x30I	16
VEFM8	4



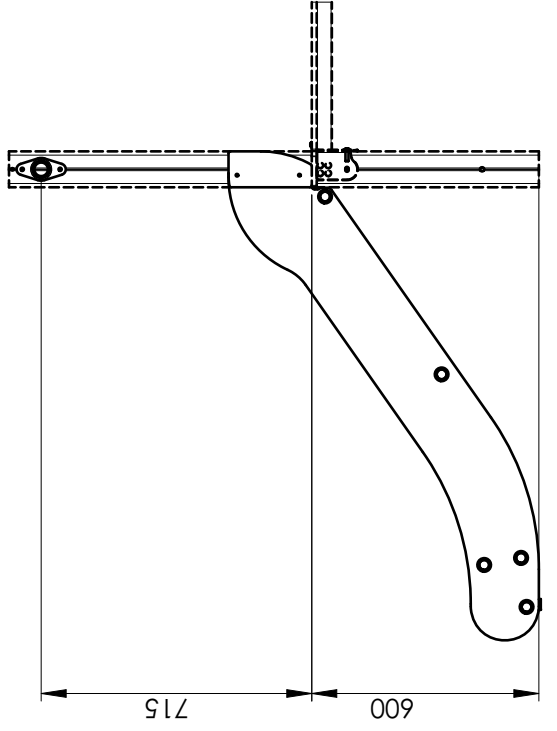
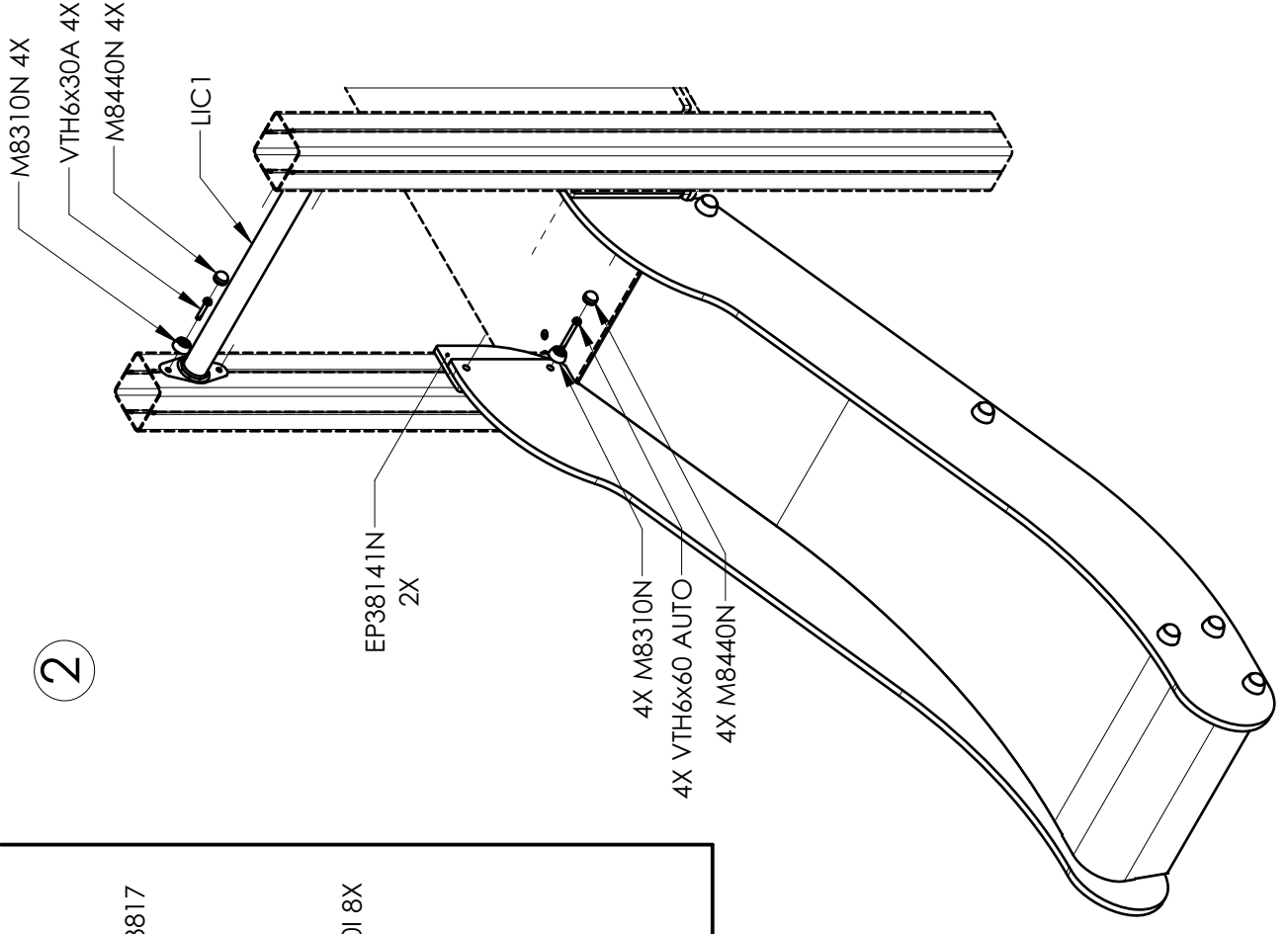
EP38141N	2
ET3817OF	2
LI3837	1
LIC1	1
M8310N	8
M8440N	8
M10310N	10
M10440N	10
VCBHC M10x30I	10
VEFM10	10
VTH6x30A	4
VTH6x60 AUTO	4

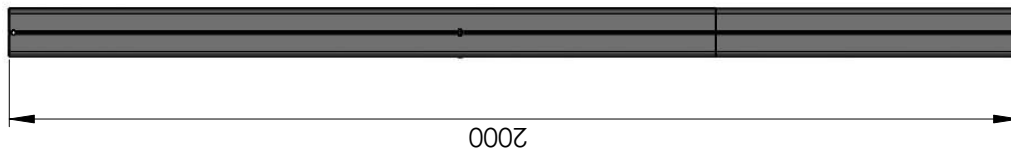
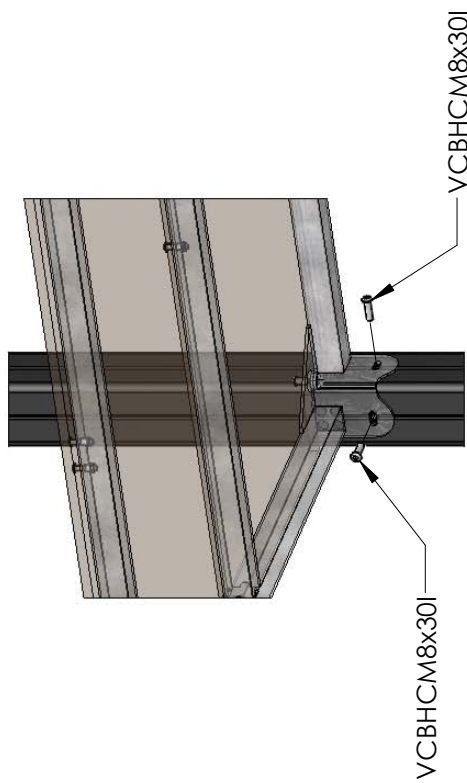
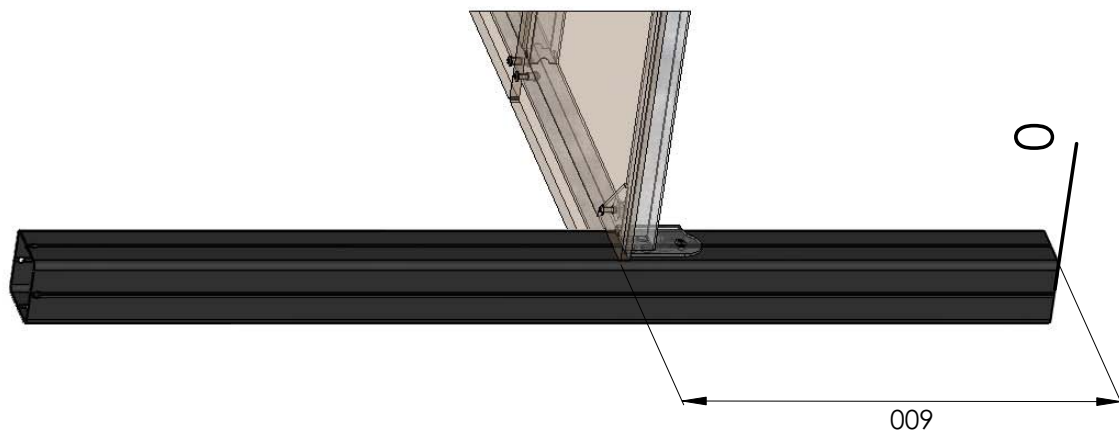


1



2





LGP3838A

Réf	Qfé
LGP3838A	1