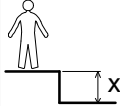
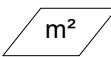


J38117

Proludic





N°		
1	0.6 m	3 m ²
2	1 m	7.5 m ²
3	1.77 m	30 m ²
4	2.3 m	8 m ²
5	2.4 m	31.5 m ²
6	2.5 m	13.5 m ²

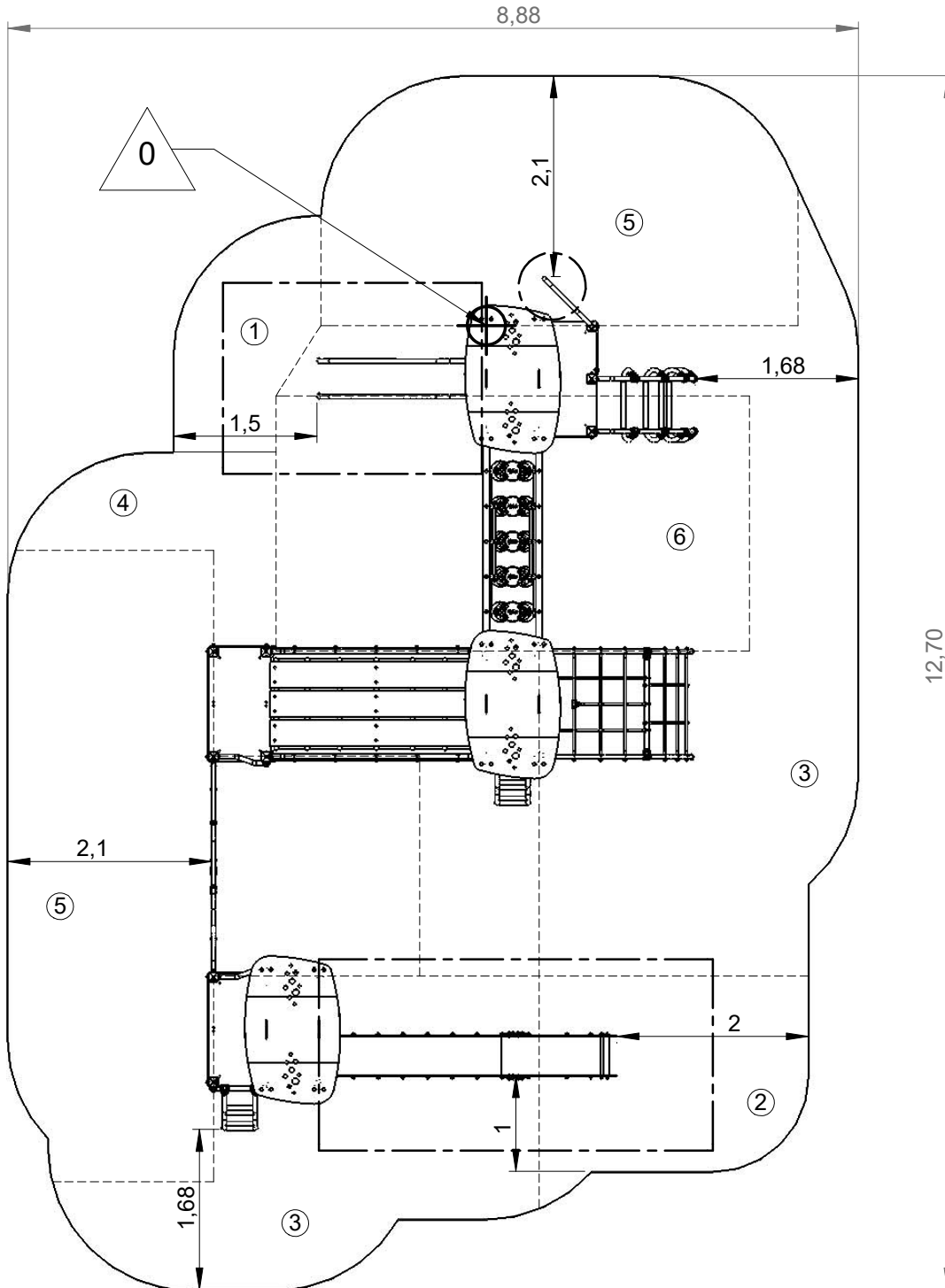
— Zone d'impact
Impact area
Area de impacto
Fallraum
Valzone

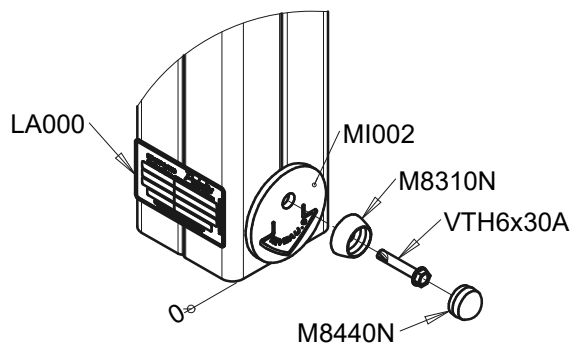
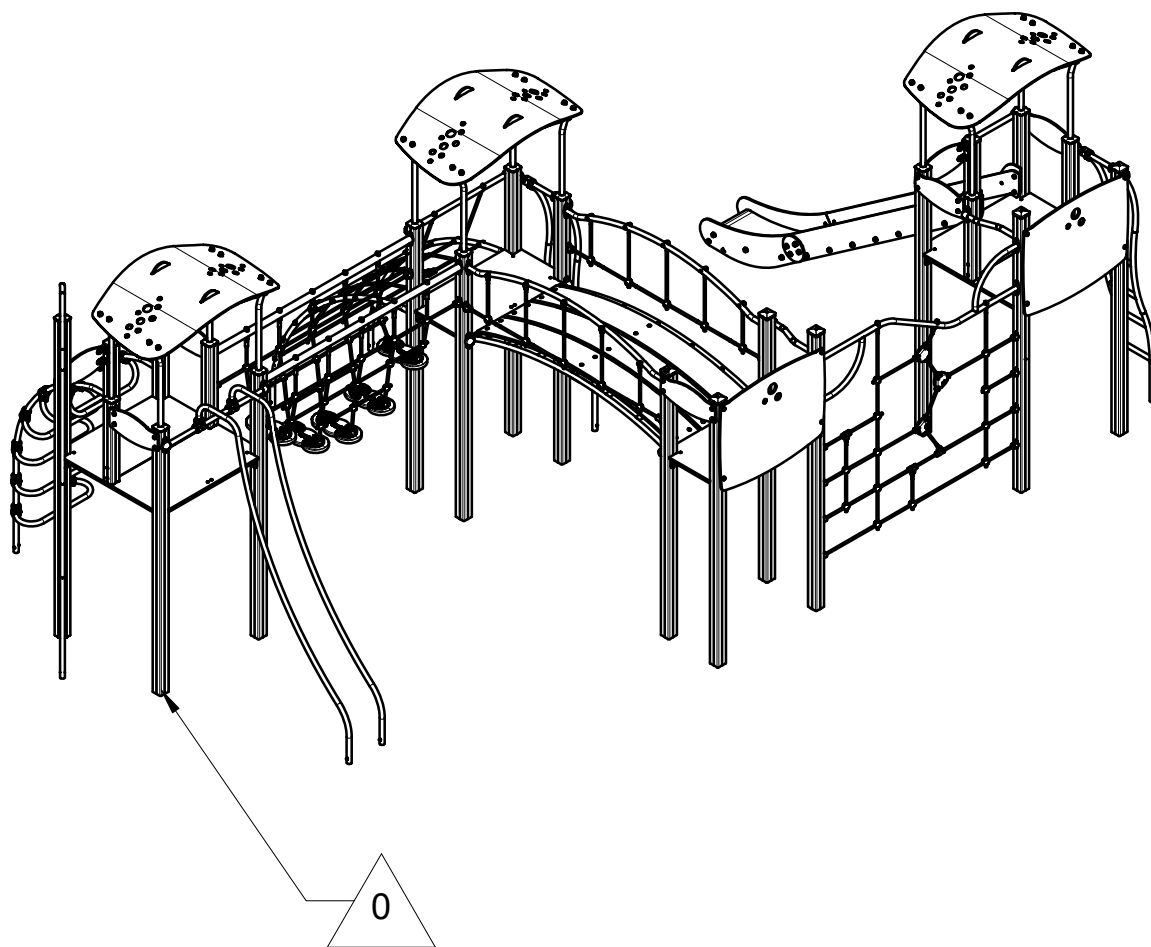
- - - Espace libre
Free space
Espacio libre
Freiraum
Vrije ruimte



Point de référence
Setting out point
Punto de referencia
Bezugspunkt
Referentiepunt

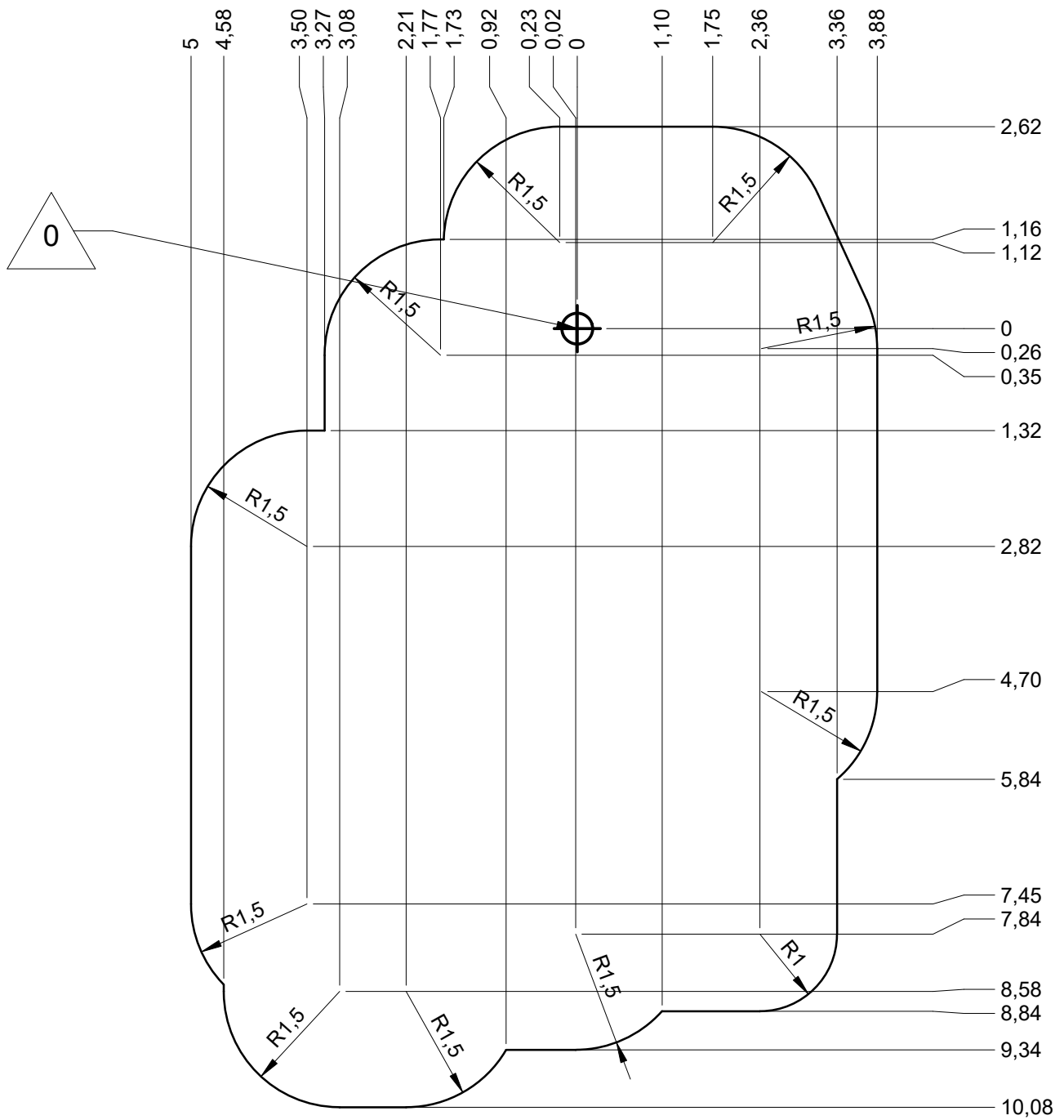
EN1176-1:2017
EN1176-3:2017





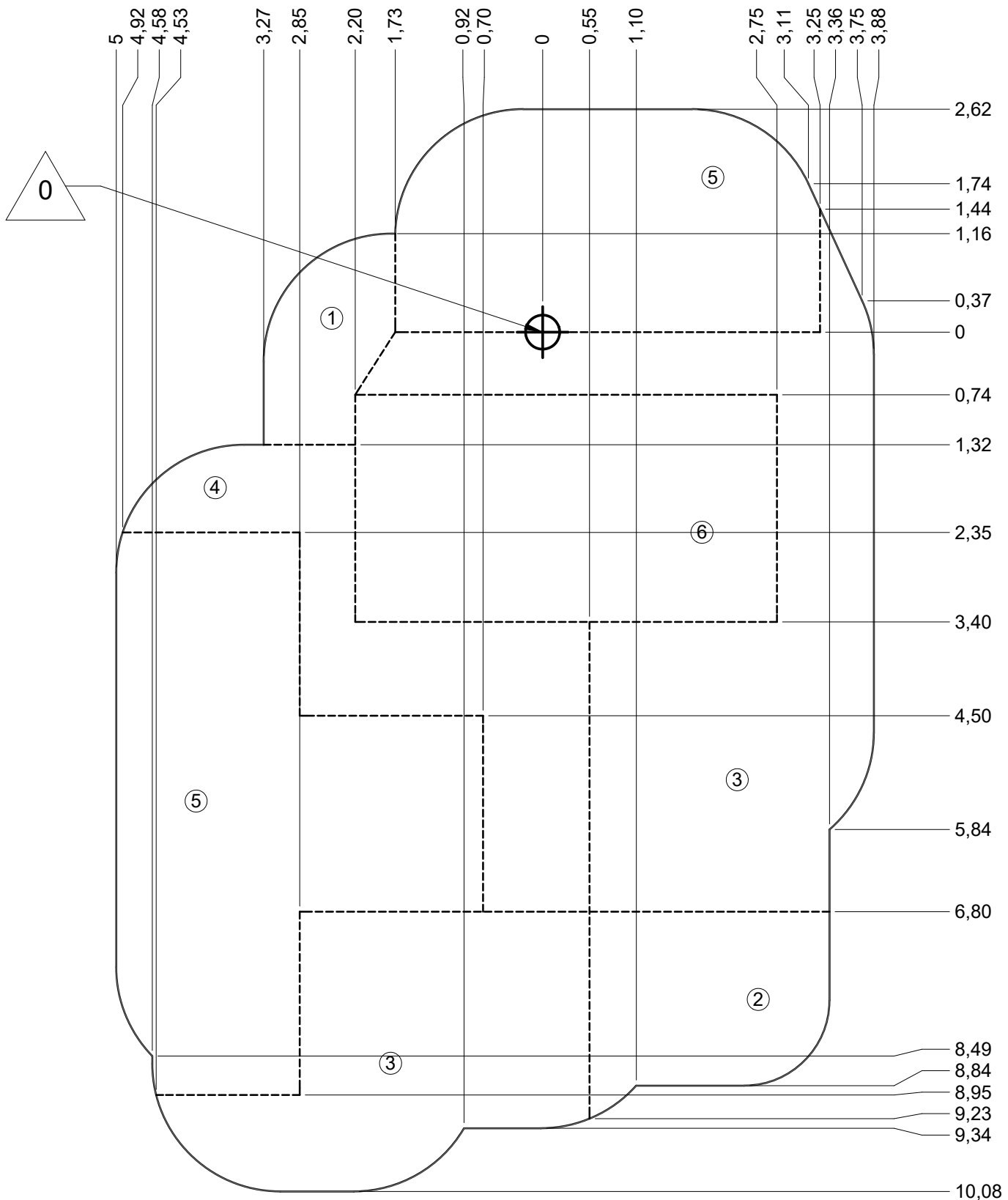
— Zone d'impact
 Impact area
 Area de impacto
 Fallraum
 Valzone

93.5 m²



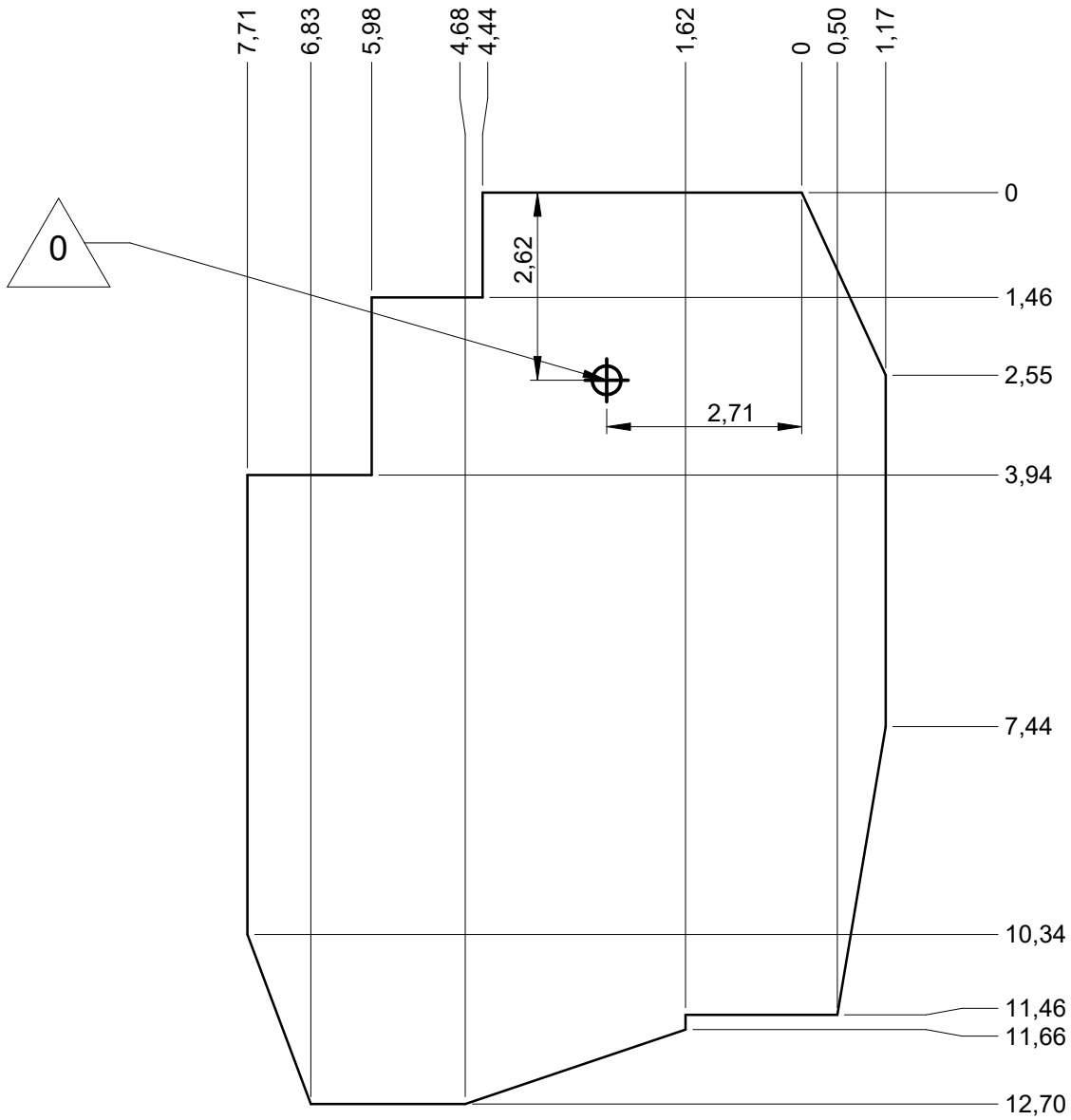
— Sol souple
 Wetpour
 Caucho continuo
 Synthetischer Fallschutz
 Gietvloer

93.5 m²



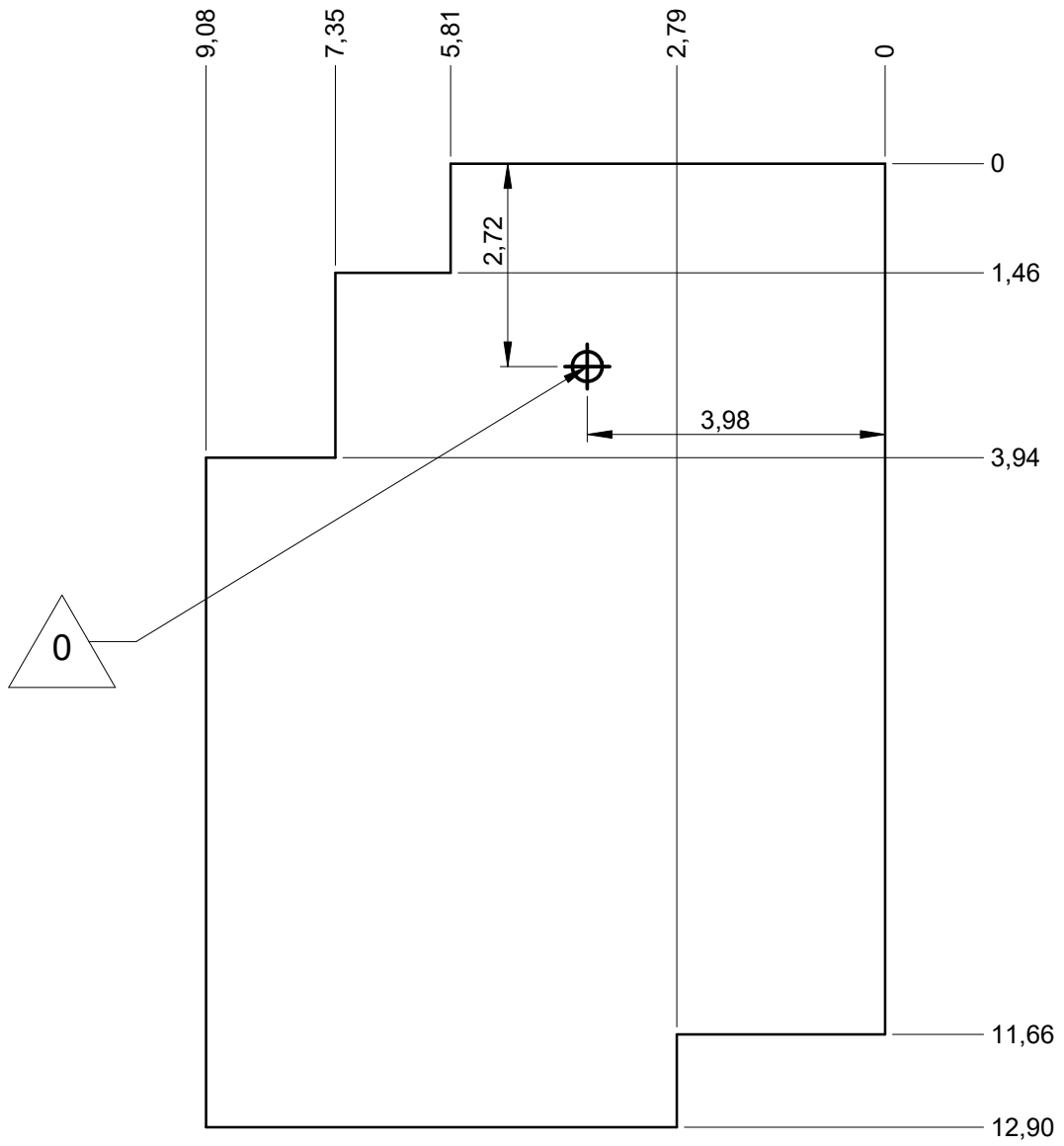
— Dalle béton
 Concrete pad
 Solera de hormigon
 Beton Bodenplatte
 Betonnen bodemplaat

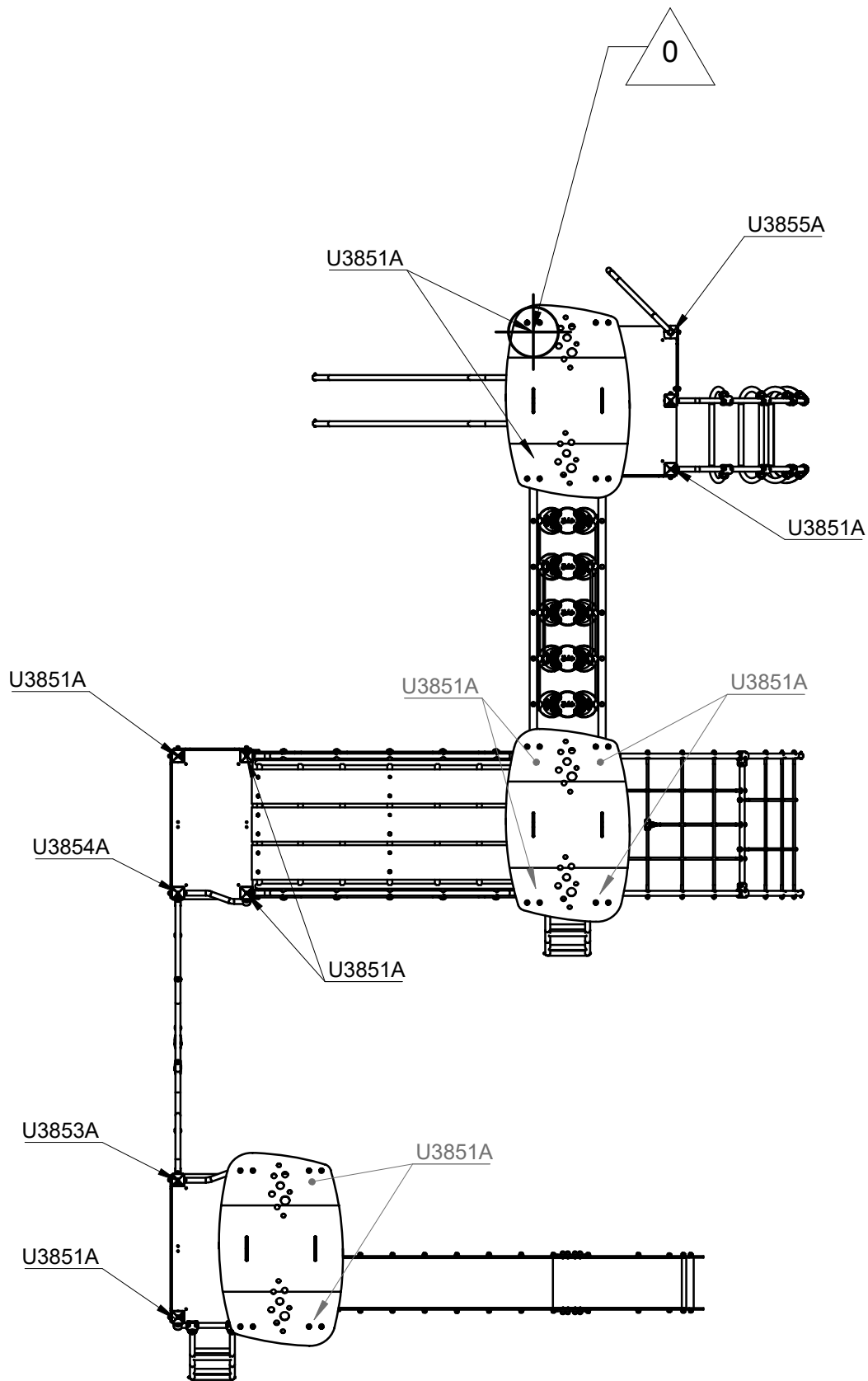
40 m
 95 m²

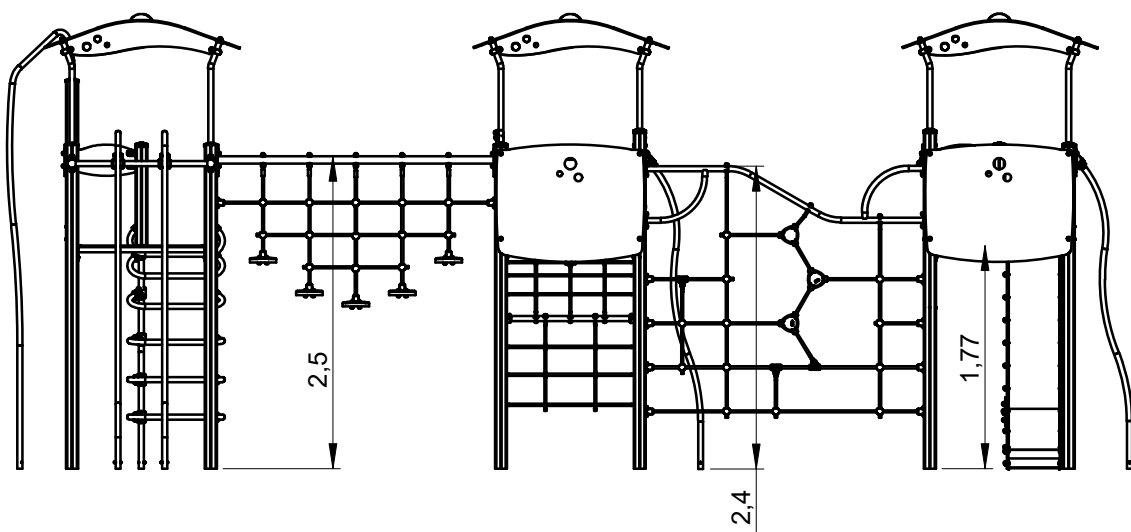
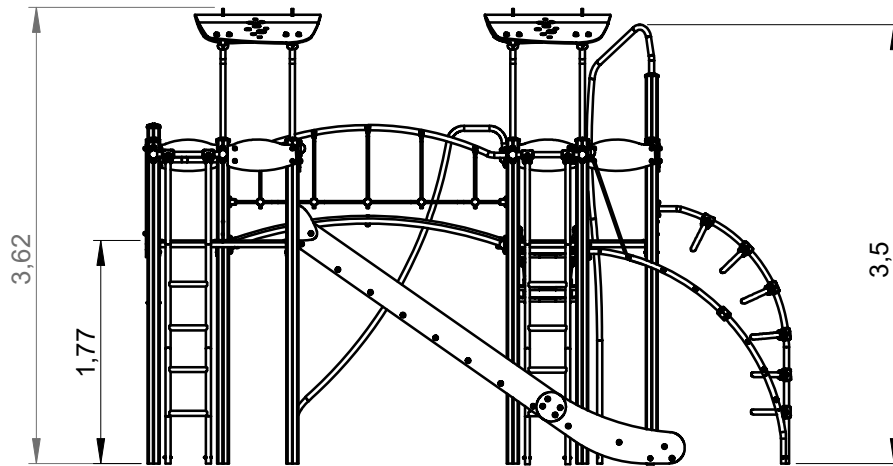


— Sol fluent
 Loos partucule material
 Arenero
 Loses Bodenmaterial
 Los bodemmaterialaal

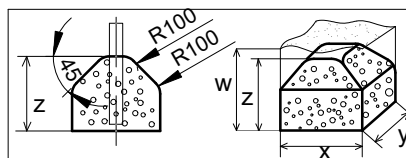
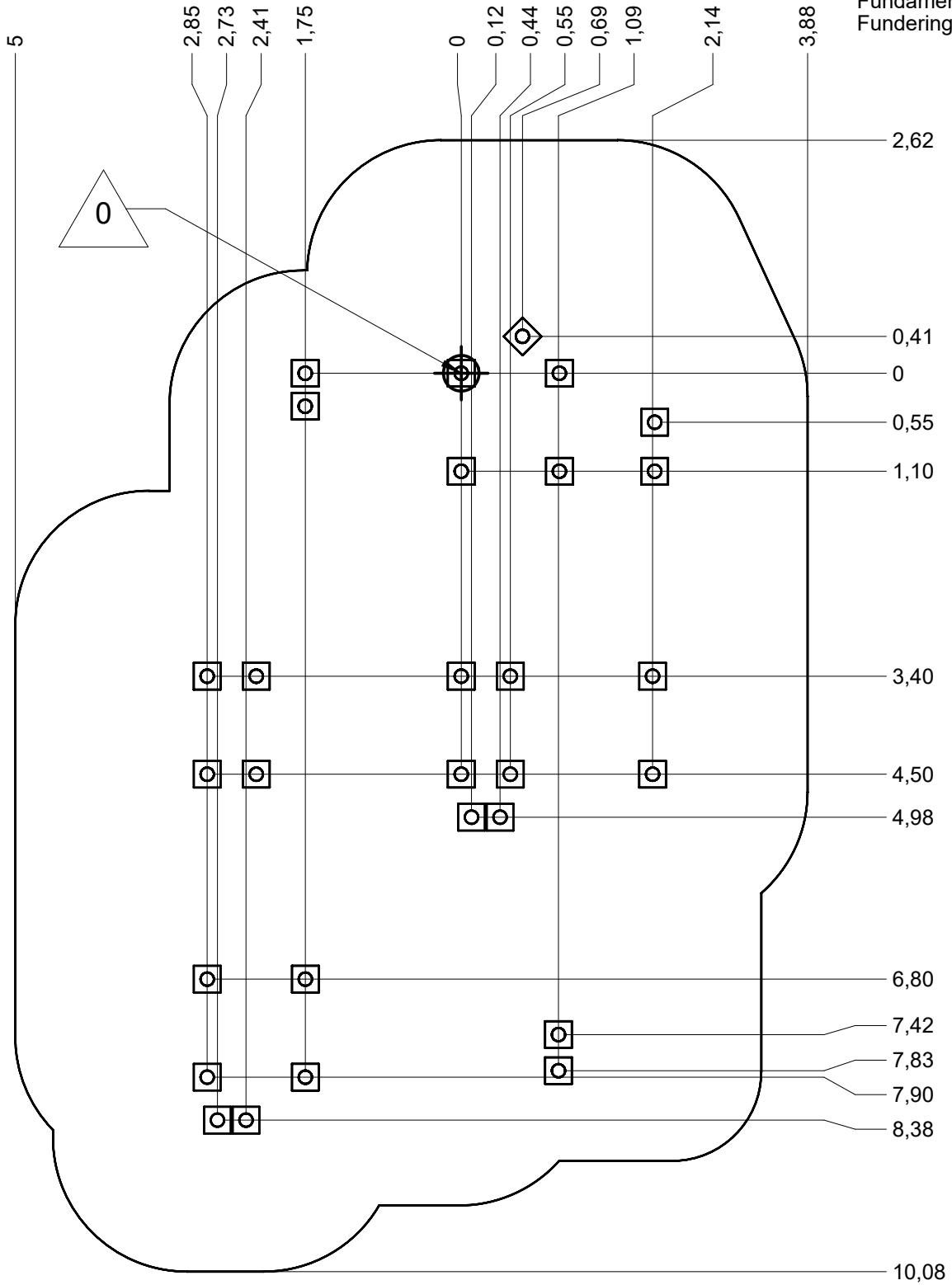
45 m
105 m²





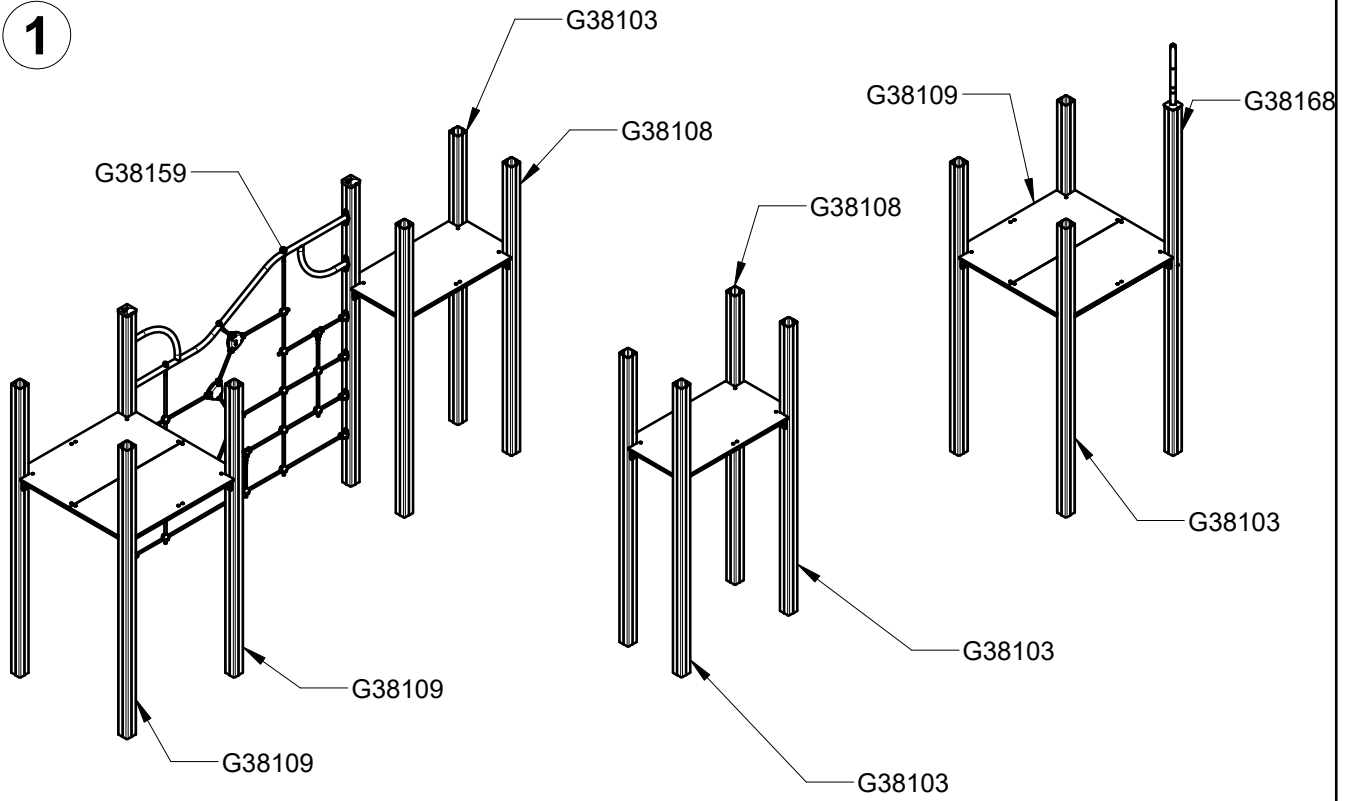


Implantation
 Footing plan
 Implantación
 Fundamentplan
 Funderingstekening

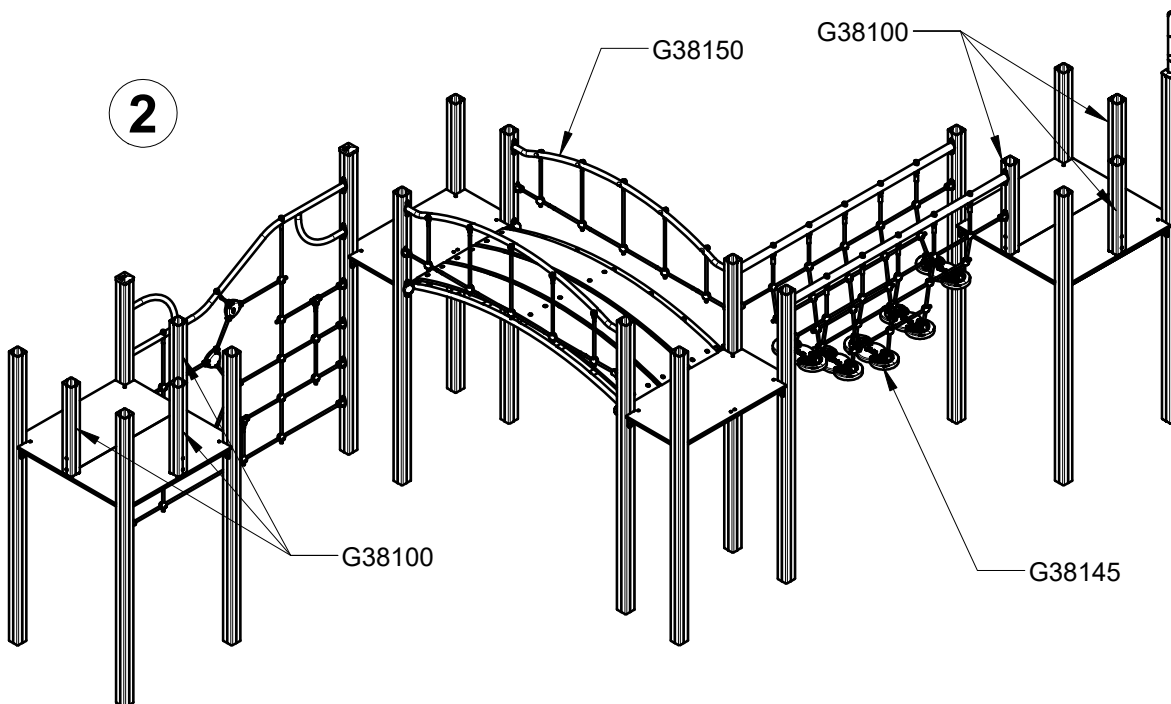


	x	y	z	w
	0.3	0.3	0.3	0.6
	0.4	0.4	0.3	0.6
	0.6	0.3	0.3	0.6

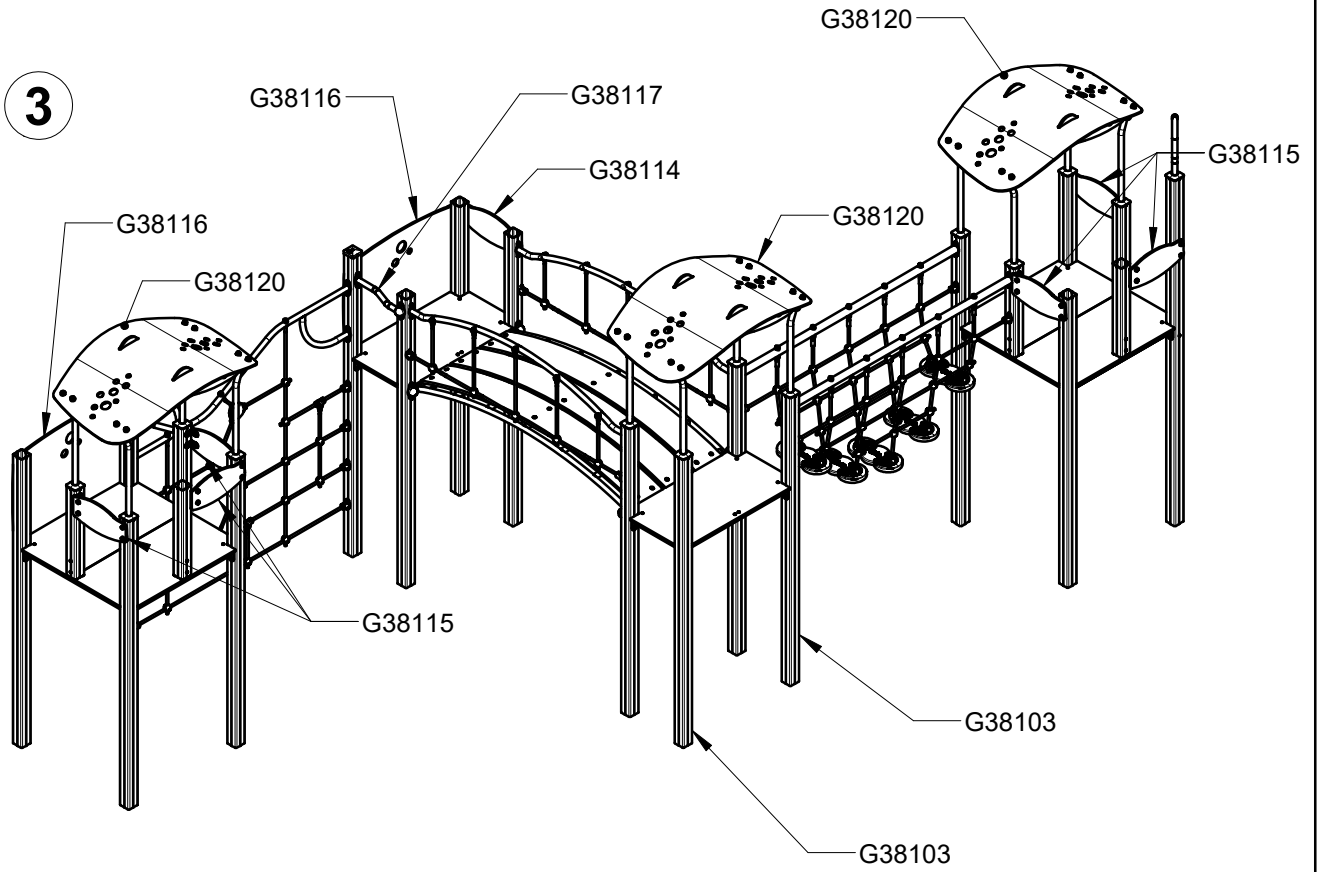
1



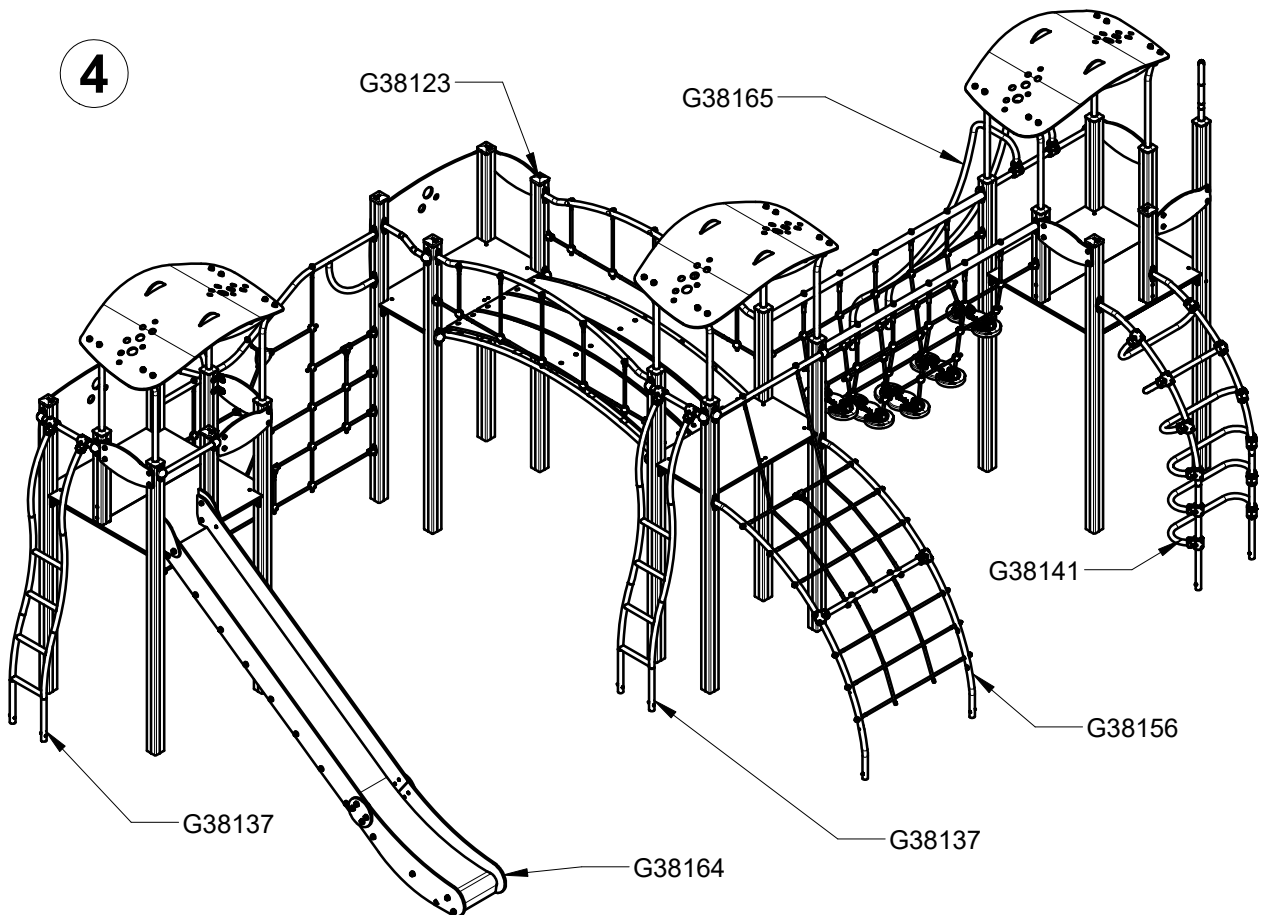
2

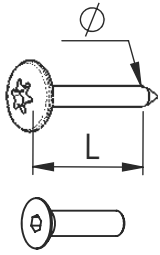


3



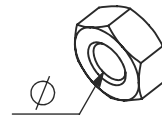
4



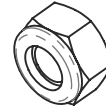


VBT 6 x 30
 \varnothing L (mm)

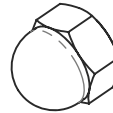
VFHC



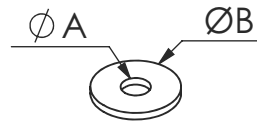
VEC M10
 \varnothing



VEF



VEB

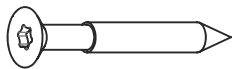


VR6x18
 $\varnothing A$ $\varnothing B$

VTHA

1000 - 1800 tr/min
 Vitesse de rotation
 Rotation speed

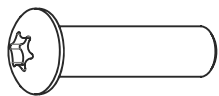
14 N.m
 Couple de rupture
 Torque of break



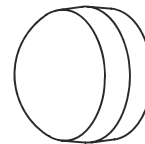
VWT



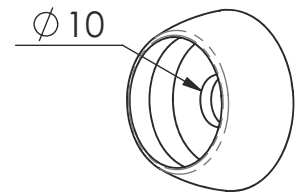
VGC



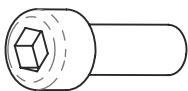
VCBHC



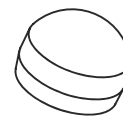
M10 440N



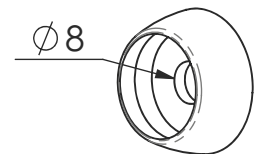
M10 310 N



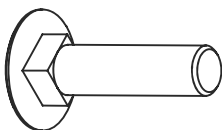
VBTR



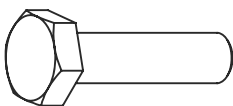
M8440N



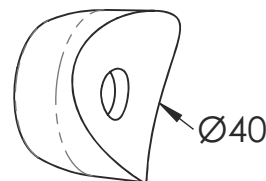
M8310N



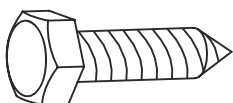
VTRCC



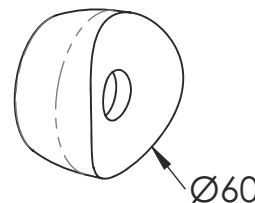
VTH



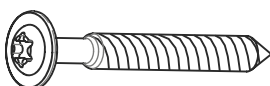
MI2503



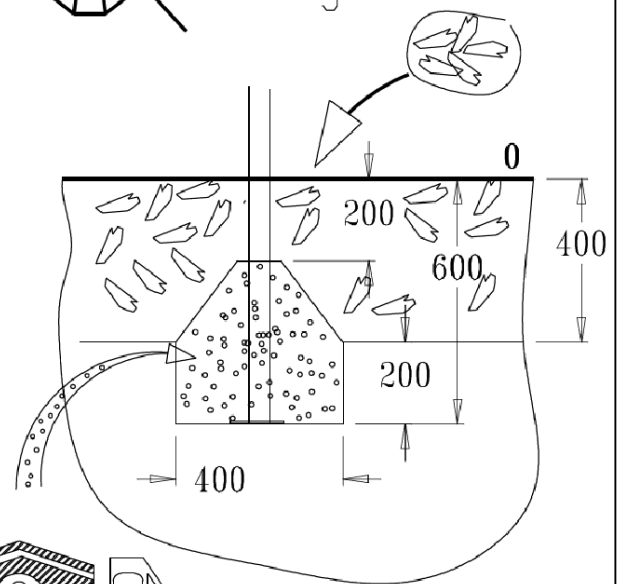
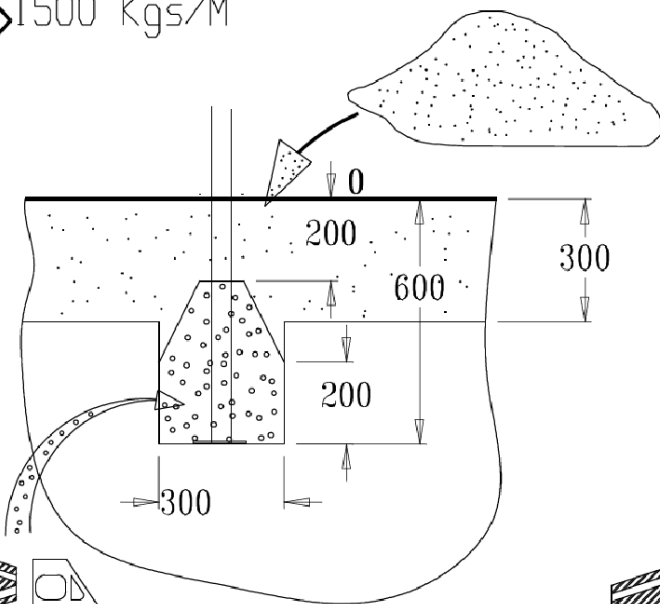
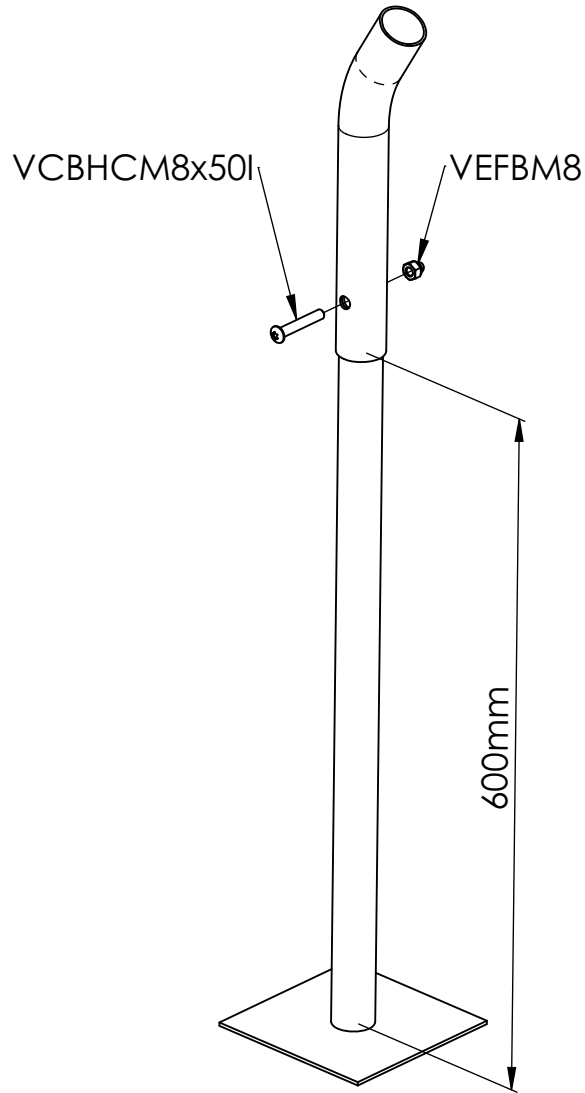
VTF



MI2701

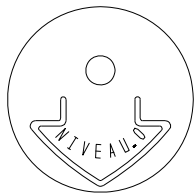


VBT



A

Proludic



MI0002

VCBHCM10

M10310N
VEFM10
M10440N

LG08

M10440N
VEFM10
MI2503

LG3802

M10440N
VTH10*80
MI2503

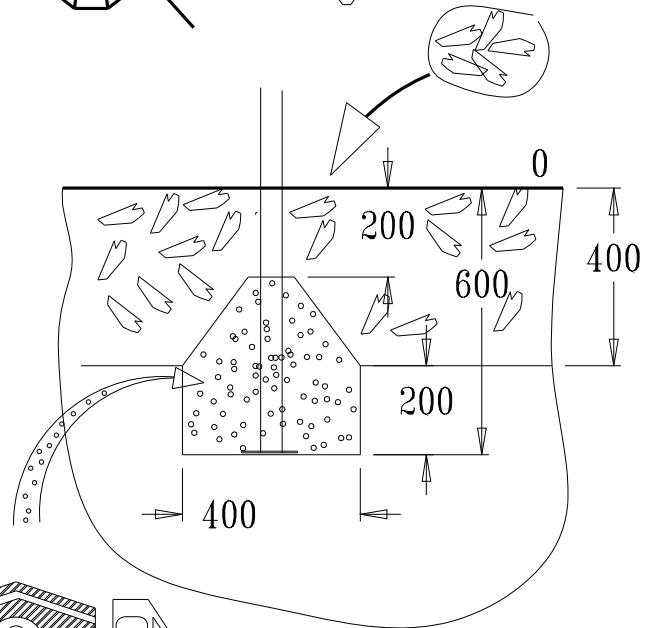
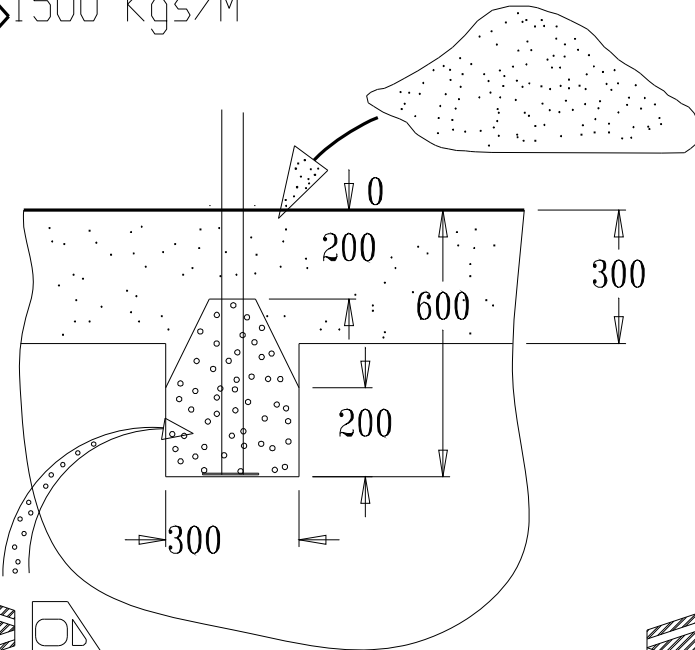
LG3804

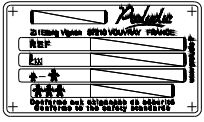


> 1500 Kgs/M³

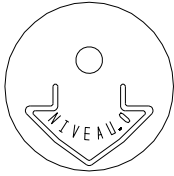


< 1500 Kgs/M³

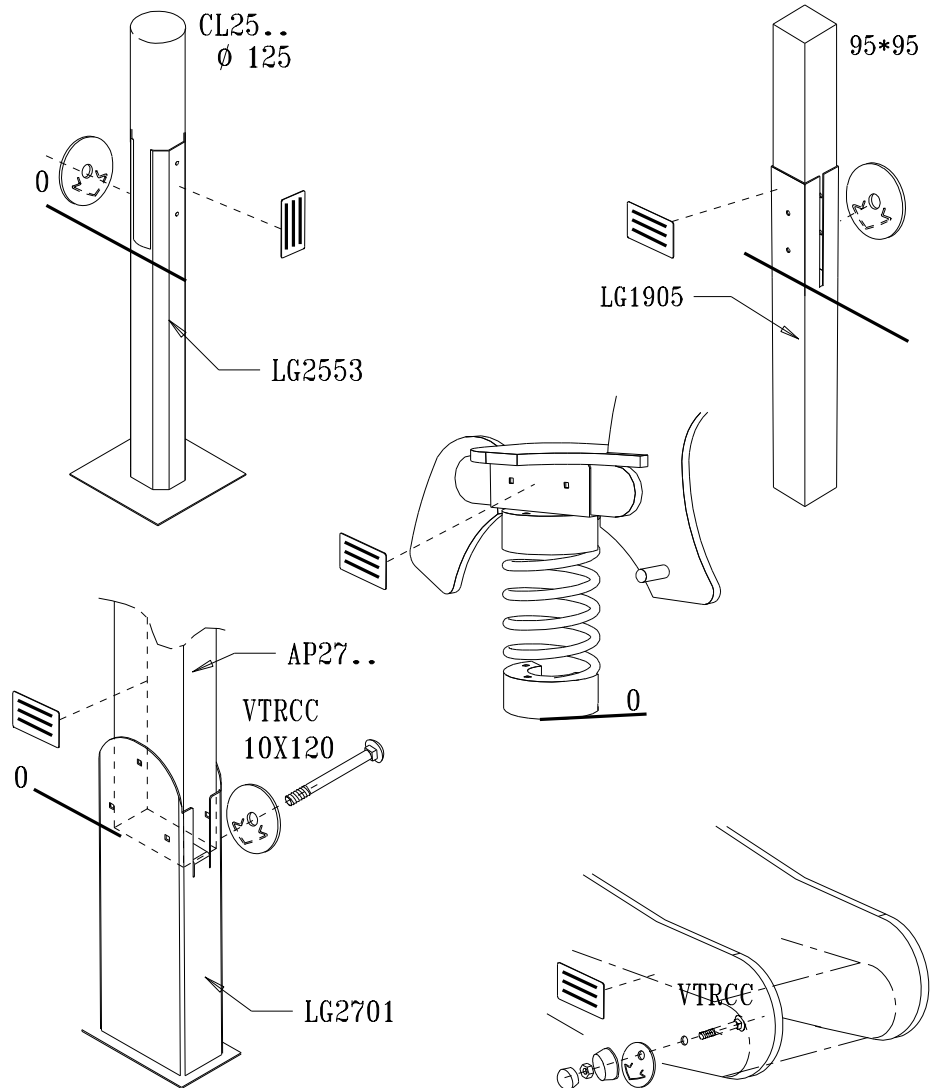
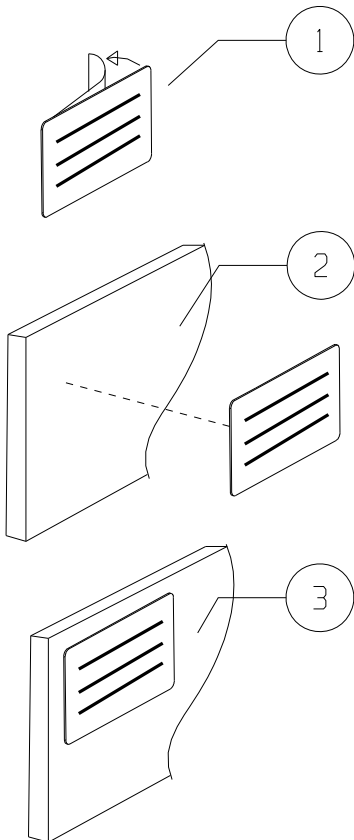
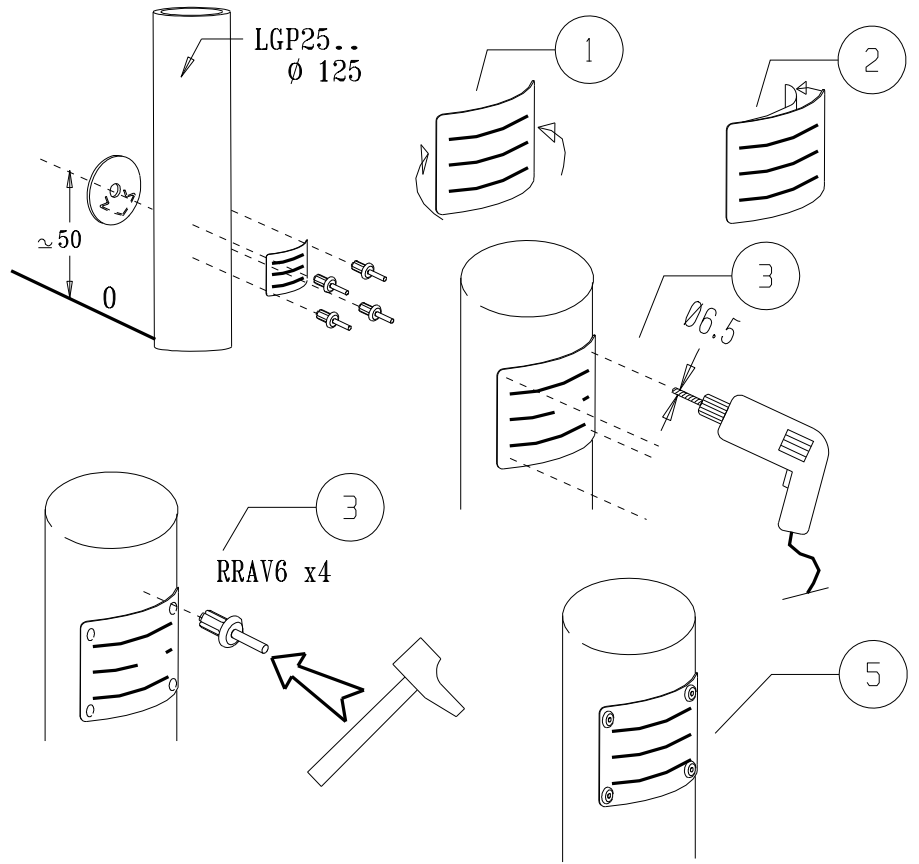


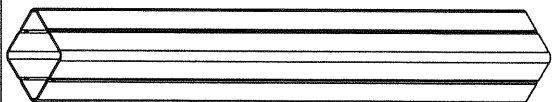


LA000



MI0002



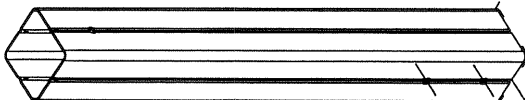


1

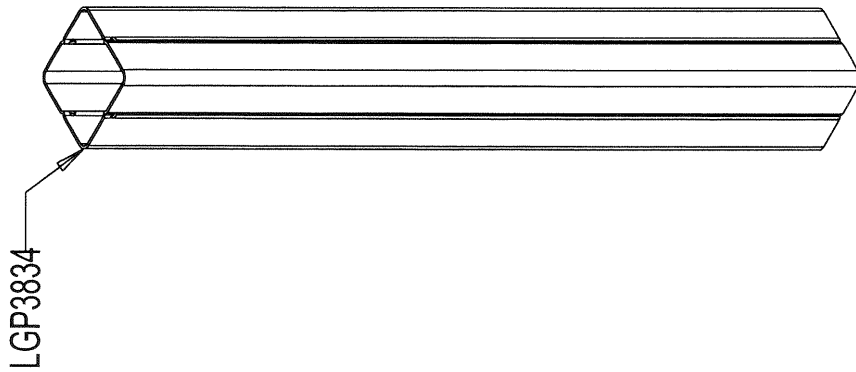


VCBHC8*30I
X2

2

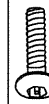
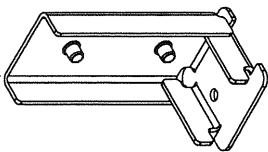


VCBHC10*30I
X2



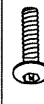
LGP3834

LG3812



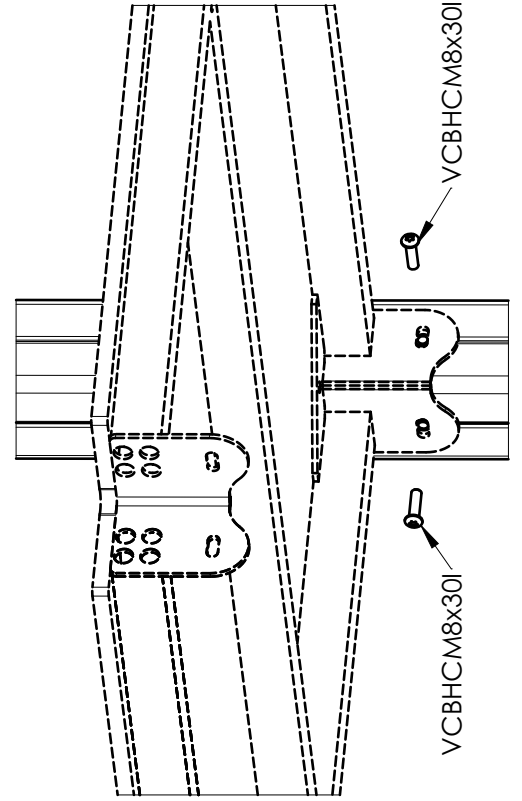
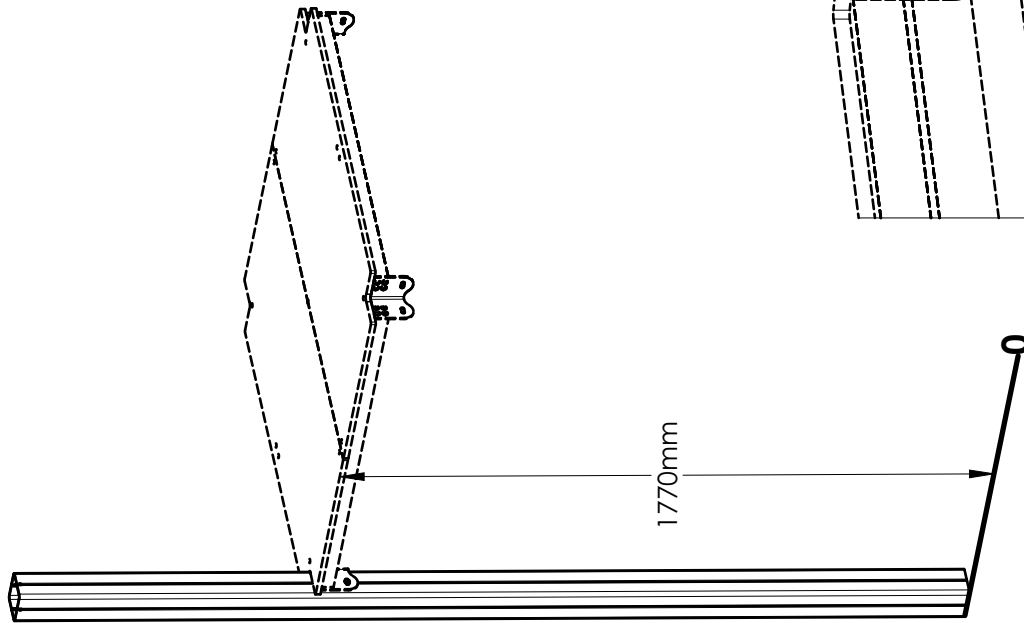
VCBHC10X30I

2

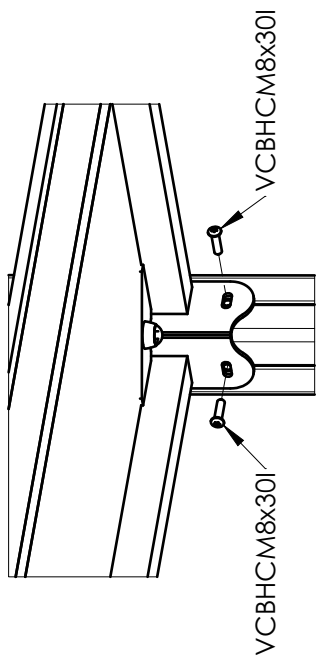


VCBHC8X30I

2



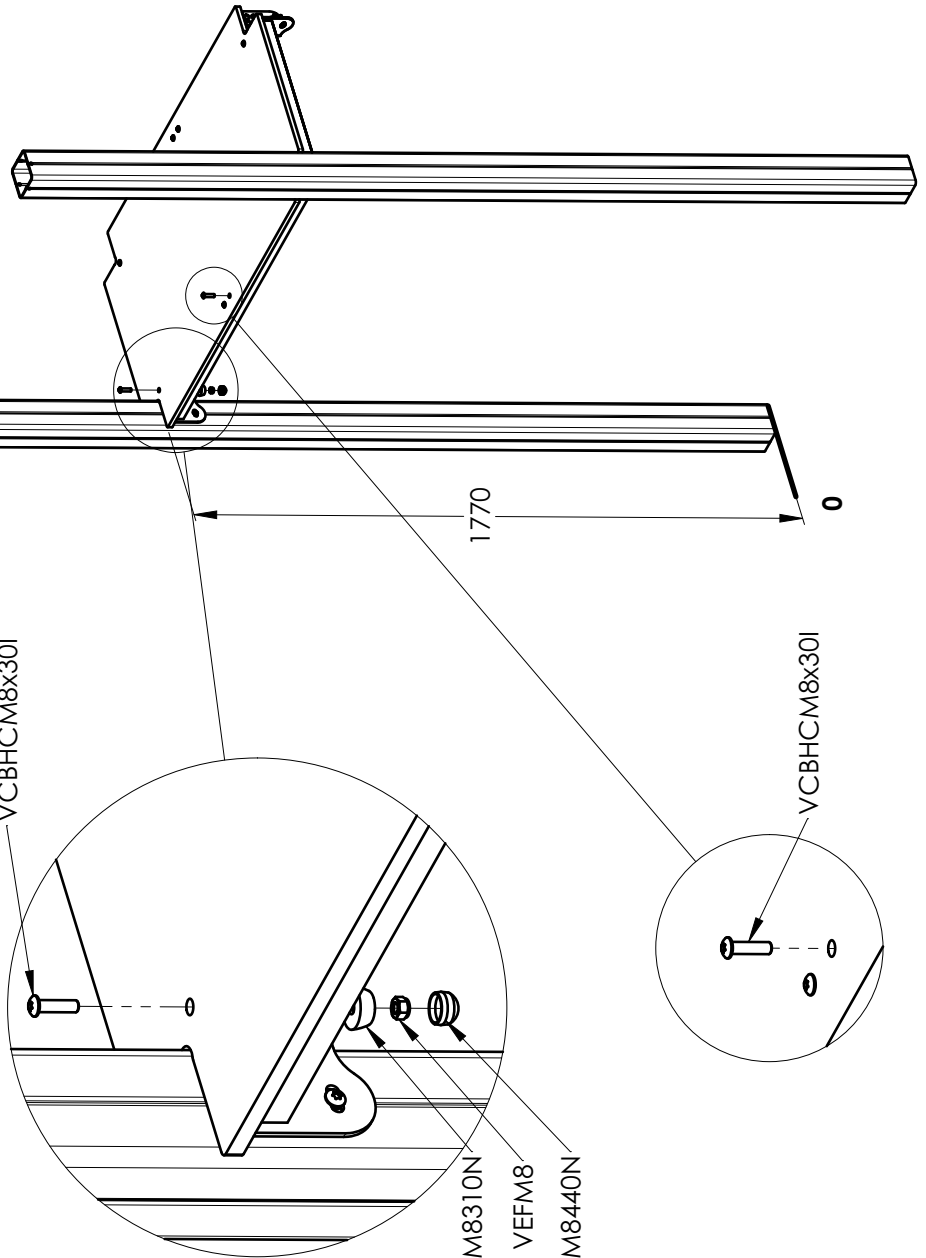
Réf	Qté
VC8HC8M8x30I	2
U3851A	1



VCBHCM8x30I

VCBHCM8x30I

VCBHCM8x30I



1770

0

M8310N

VEFM8

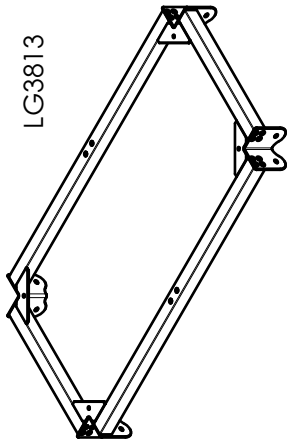
M8440N

VCBHCM8x30I

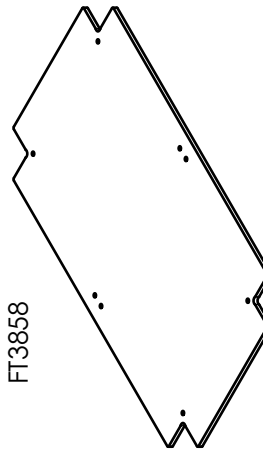
U3851A



LG3813



FT3858



Réf	Qté
FT3858	1
LG3813	1
M8310N	4
M8440N	4
U3851A	2
VCBHCM8x30I	16
VEFM8	4

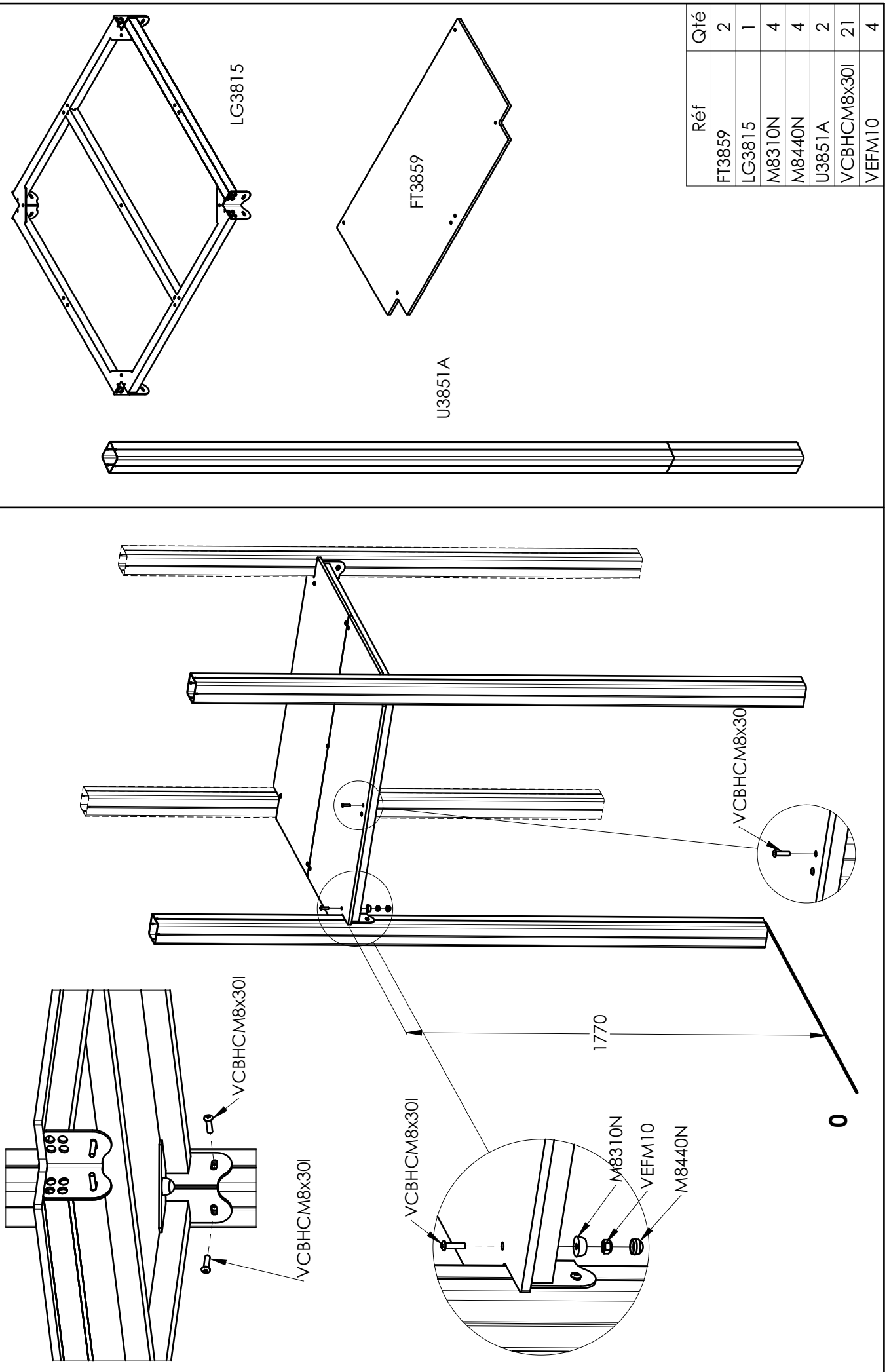
G38109A

HT 1770mm

1 / 1

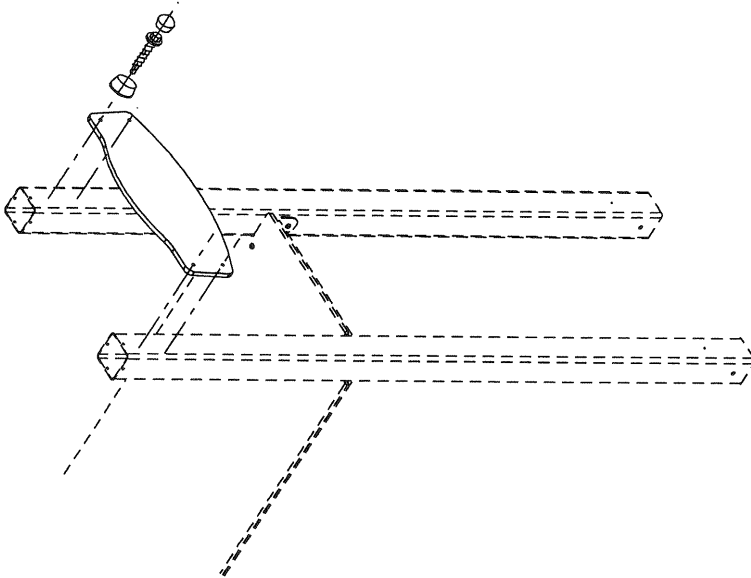
01/10/2017

Proaluc

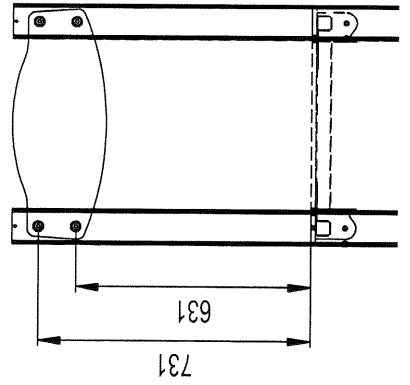
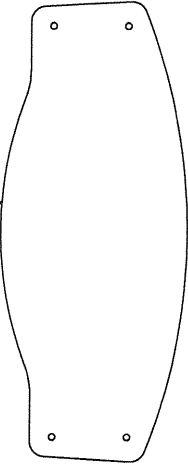


Réf	Qté
FT3859	2
LG3815	1
M8310N	4
M8440N	4
U3851A	2
VCBHCM8x30I	21
VEFM10	4

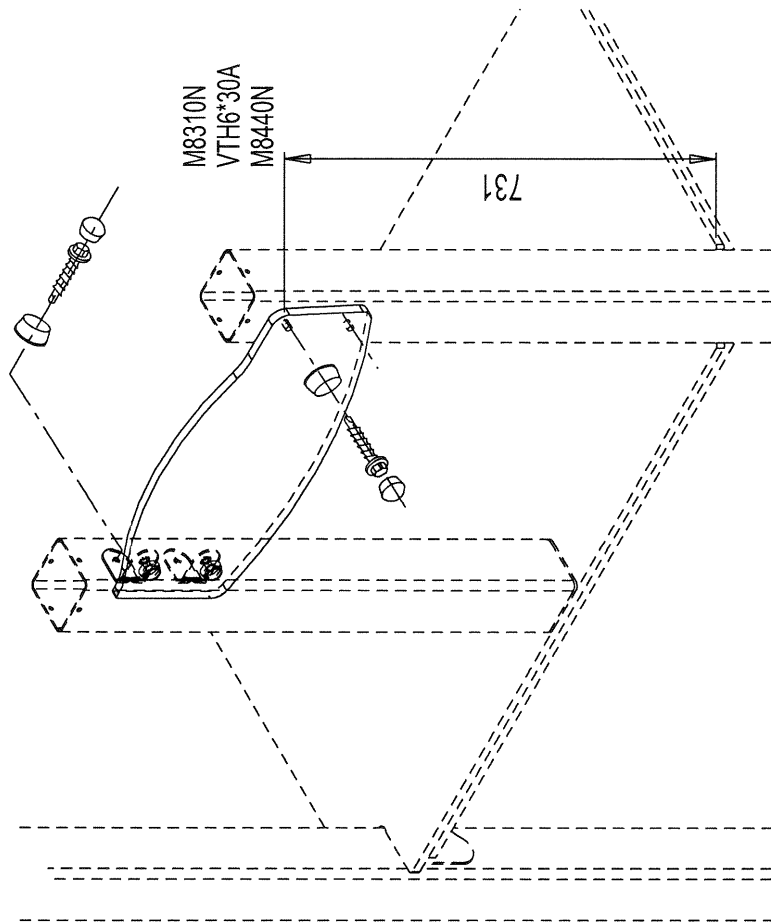
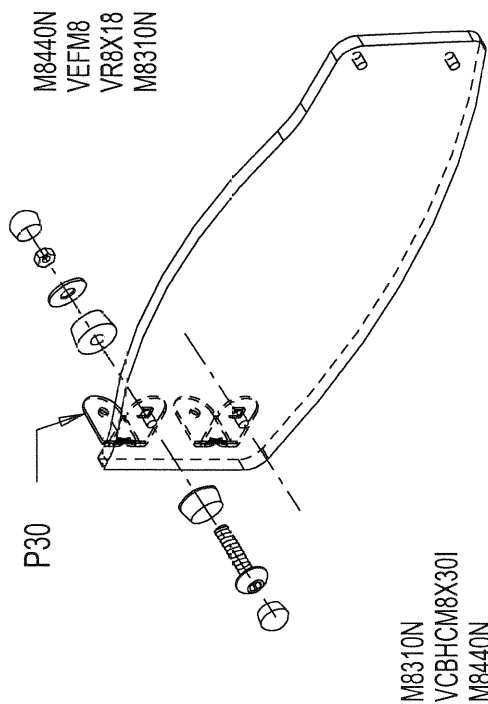
M8310N
VTH6*30A
M8440N



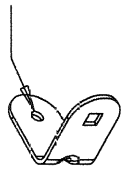
ET3871VX



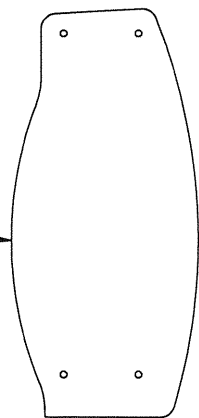
	M8440N	4
	M8310N	4
	VTH6X30A	4



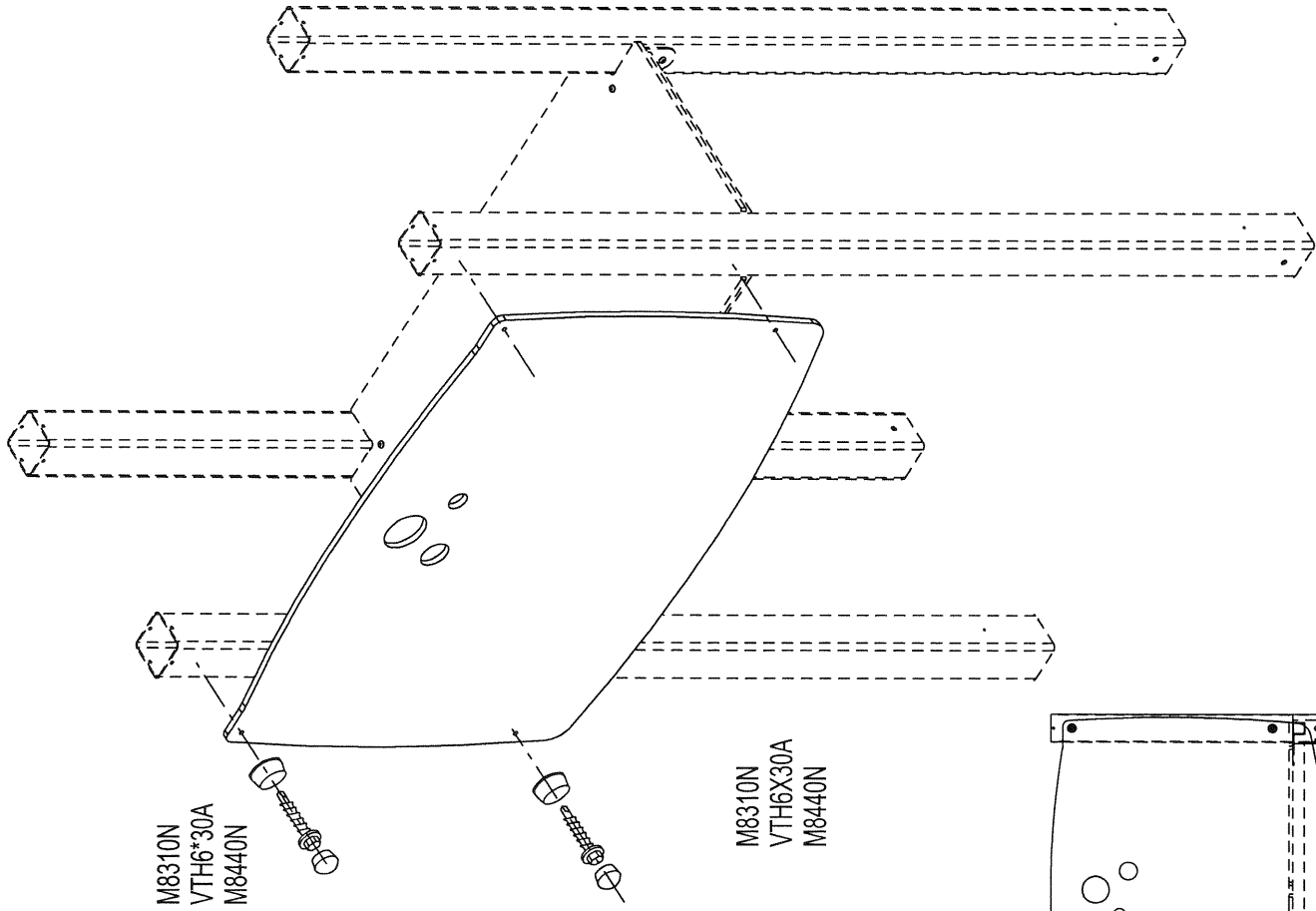
P30
X2



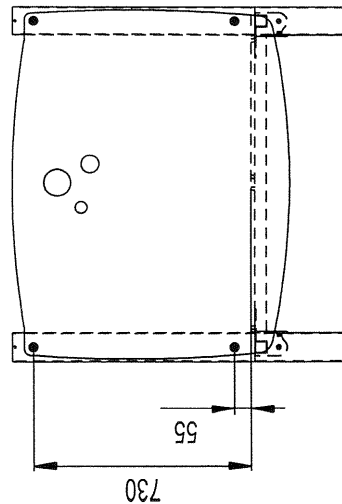
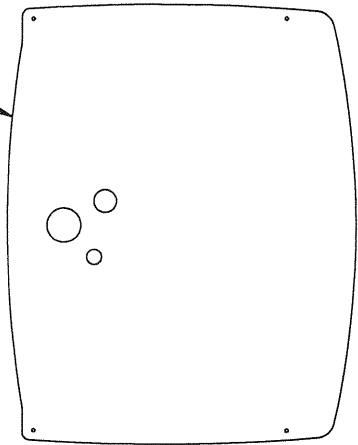
ET38720F



	VTH6X30A	4
	VEFM8	2
	M8310N	8
	VR8X18	2
	VCBHCM8X30I	2
	M8440N	8

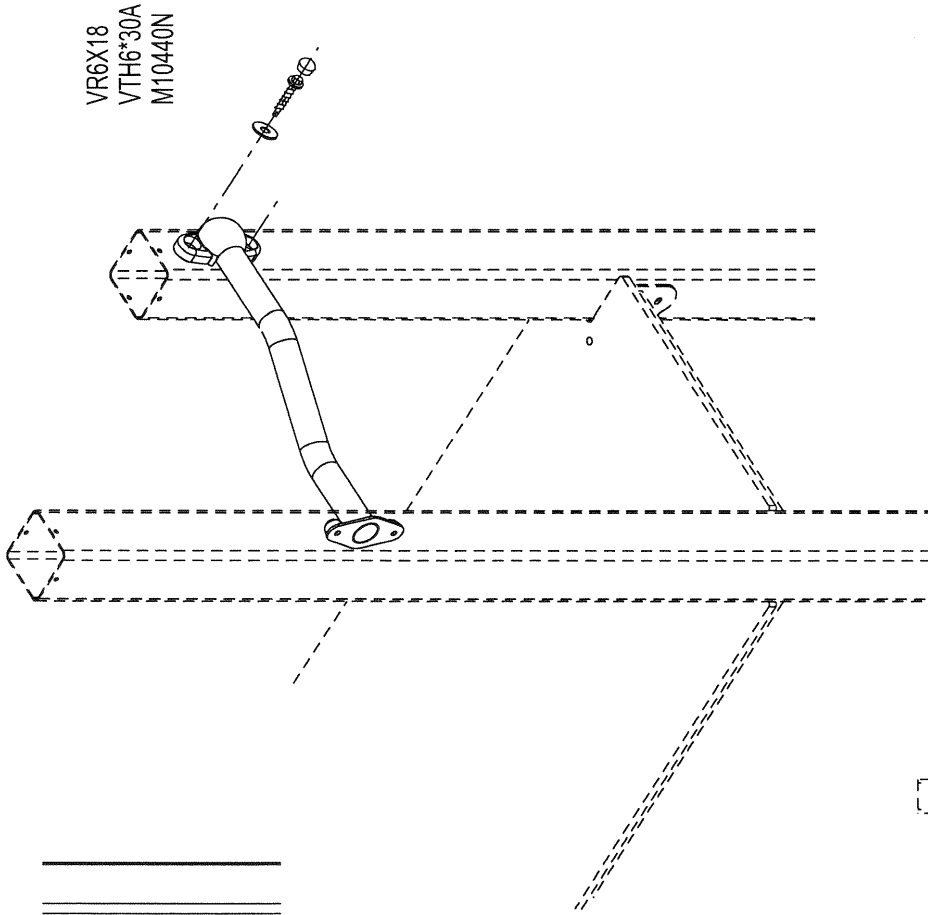
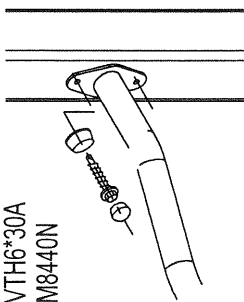


ET3870J

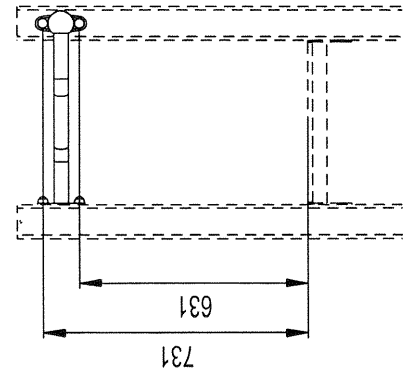
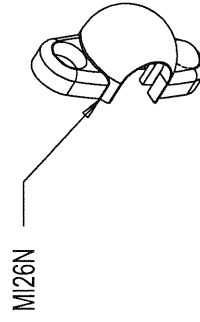
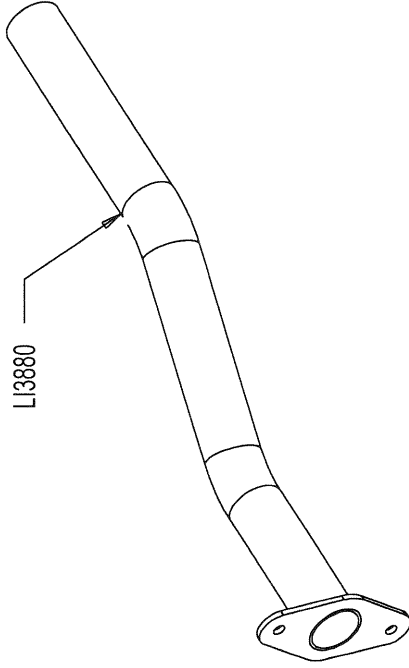


	M8440N	4
	M8310N	4
	VTH6X30A	4

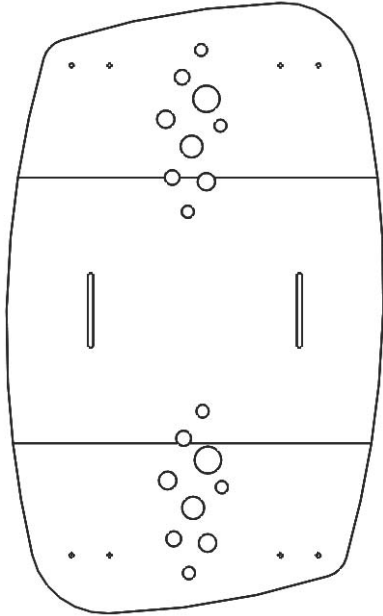
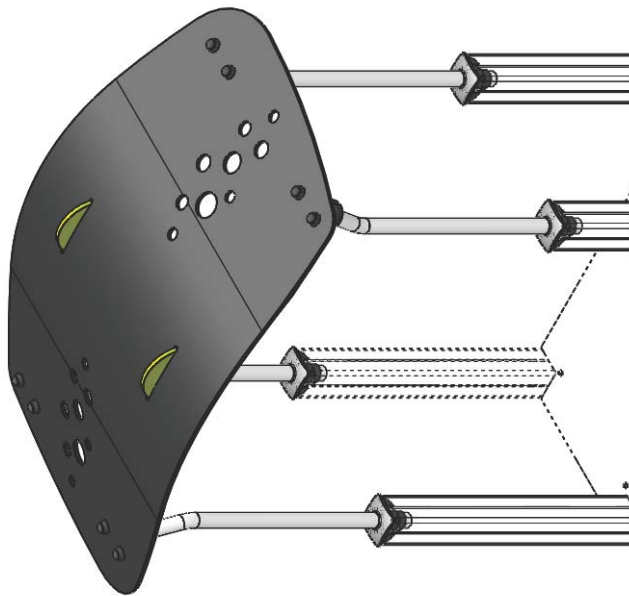
M8310N
VTH6*30A
M8440N



VR6X18
VTH6*30A
M10440N



	VR6X18	2
	VTH6X30A	4
	M8440N	2
	M8310N	2
	M10440N	2



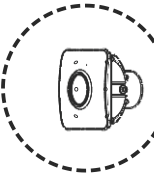
EP38136N



ET38138VX



LI38137



LAP3800



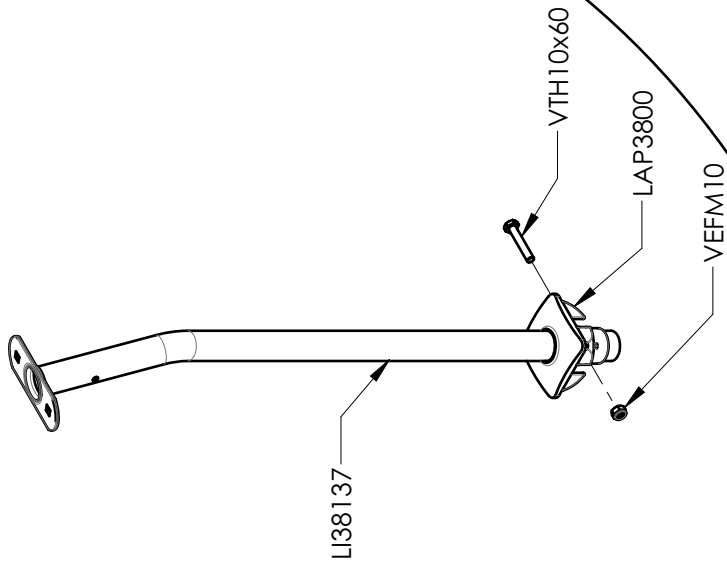
MI4502N



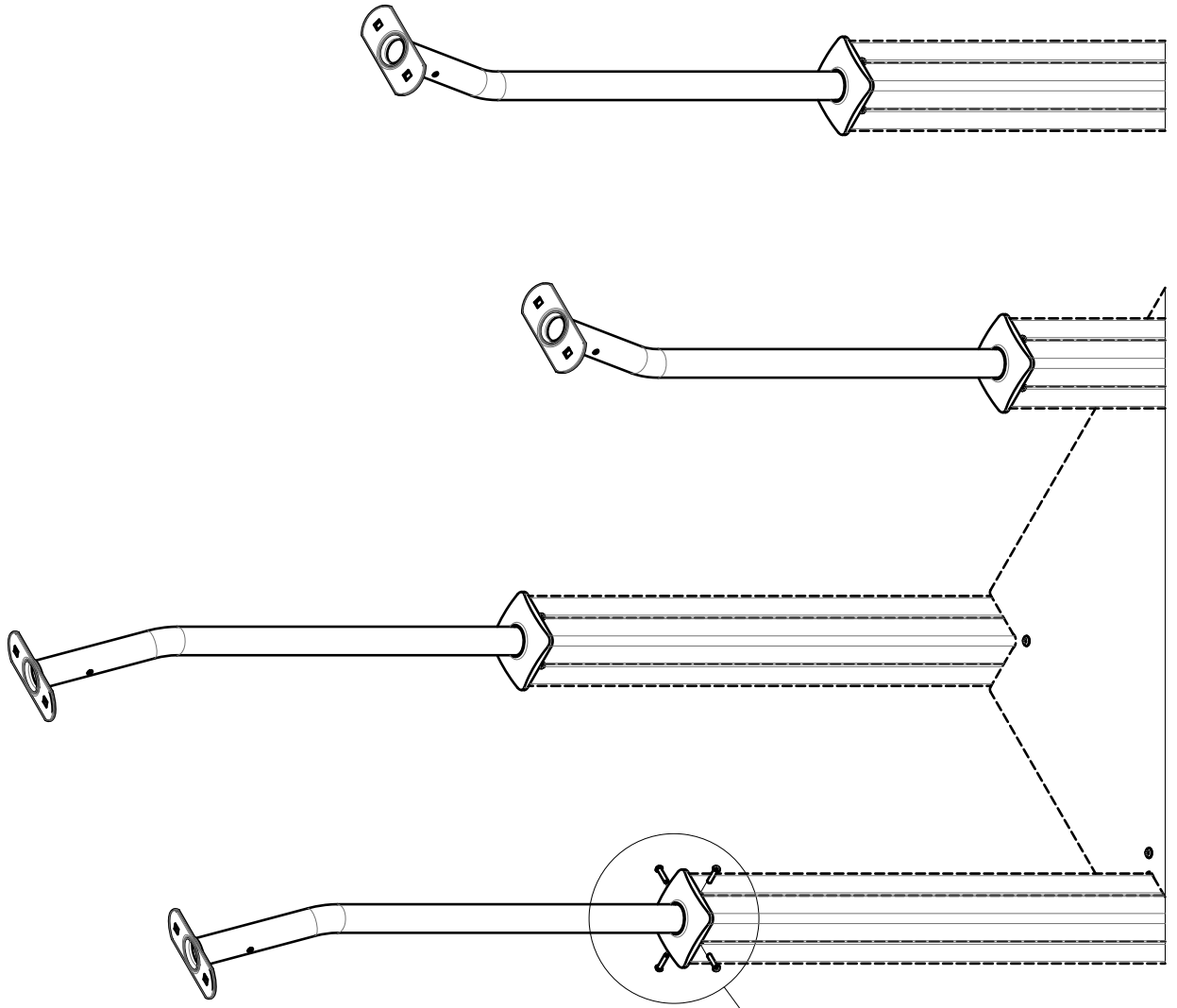
MI4503

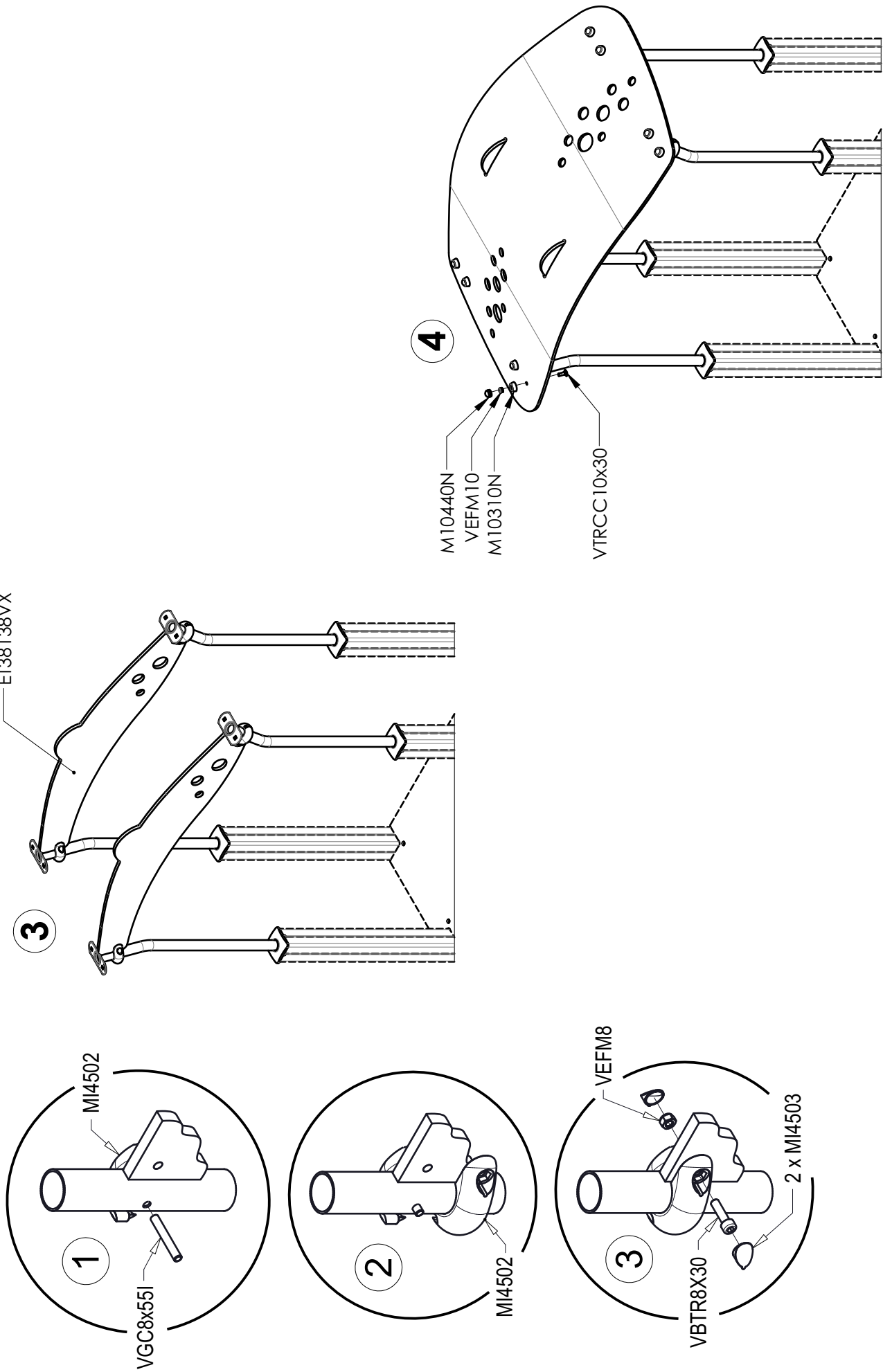
Réf	Qté
EP38136N	1
ET38138VX	2
LAP3800	4
LI38137	4
M10310N	8
M10440N	8
MI4502N	8
MI4503	8
VBTR8X30	4
VCBHCM6x25I	16
VEFM8	4
VEFM10	12
VGC8x55I	4
VTH10x60	4
VTRCC10x30	8

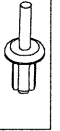
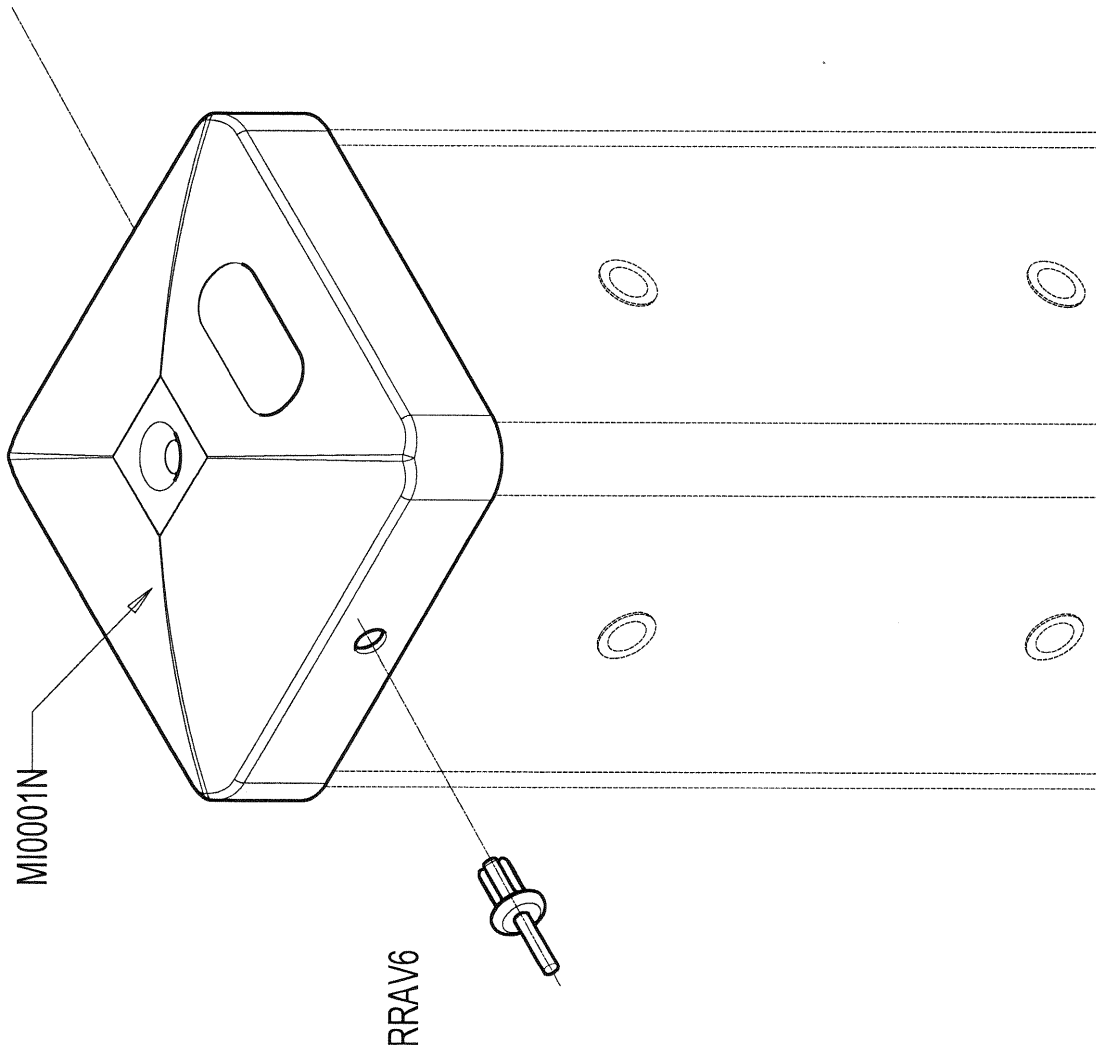
1



2







RRAV6

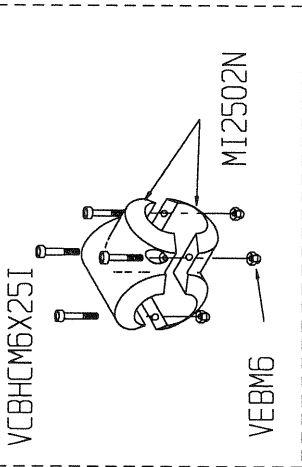
2

G38137

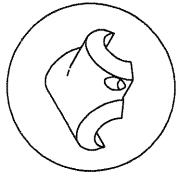
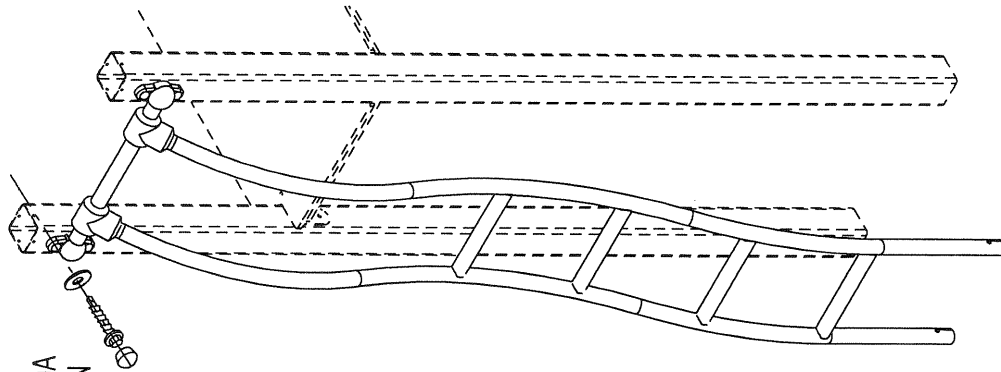
HT 1770

17/08/14

ProLudic

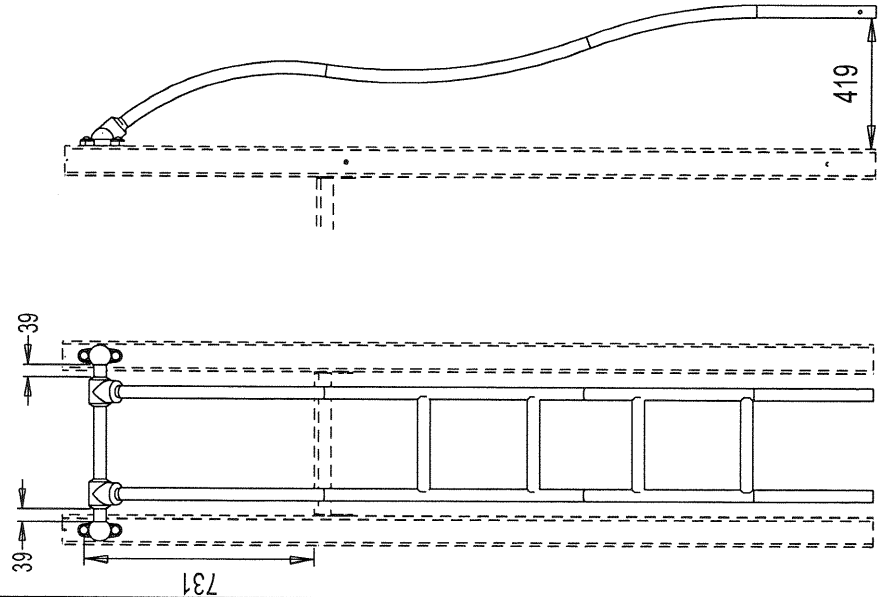
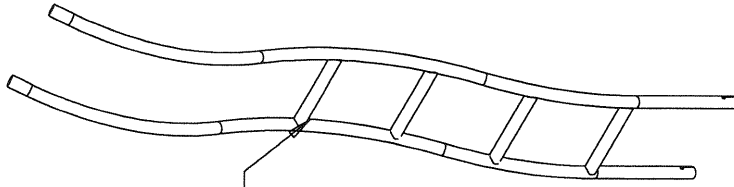
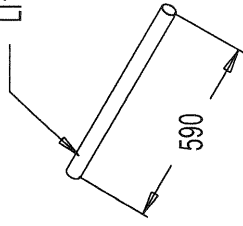


VR6*18
VTH6*30A
M10440N

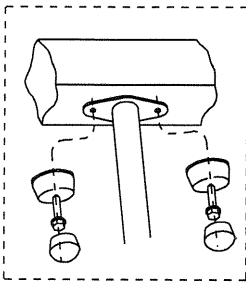
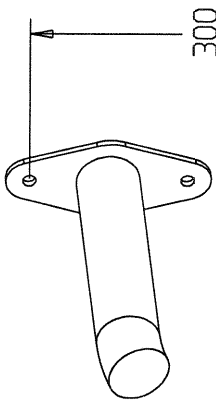


MI2502N x 4

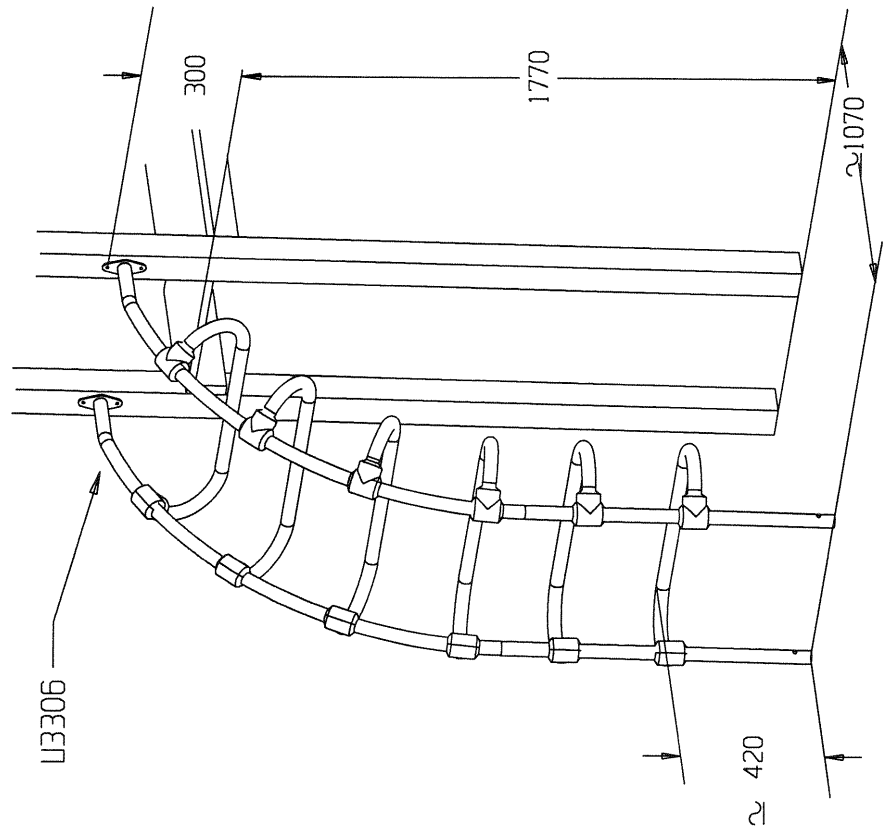
LI1801



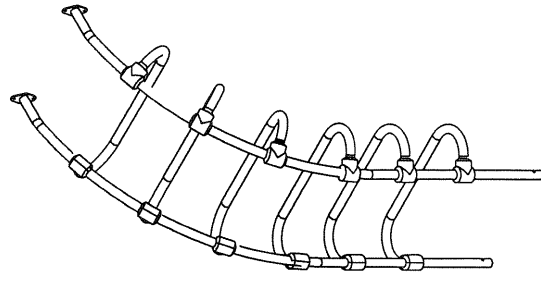
	VR6X18	4
	MI26N	2
	VTH6X30A	4
	VCBH6X25I	8
	VEBM6	8
	M10440N	4






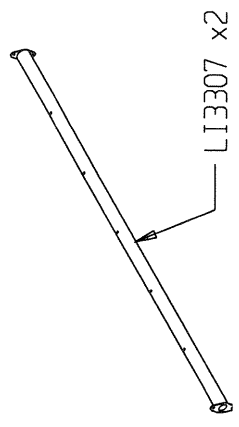
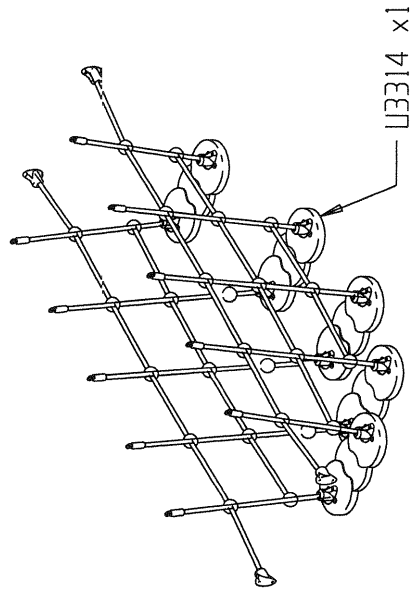
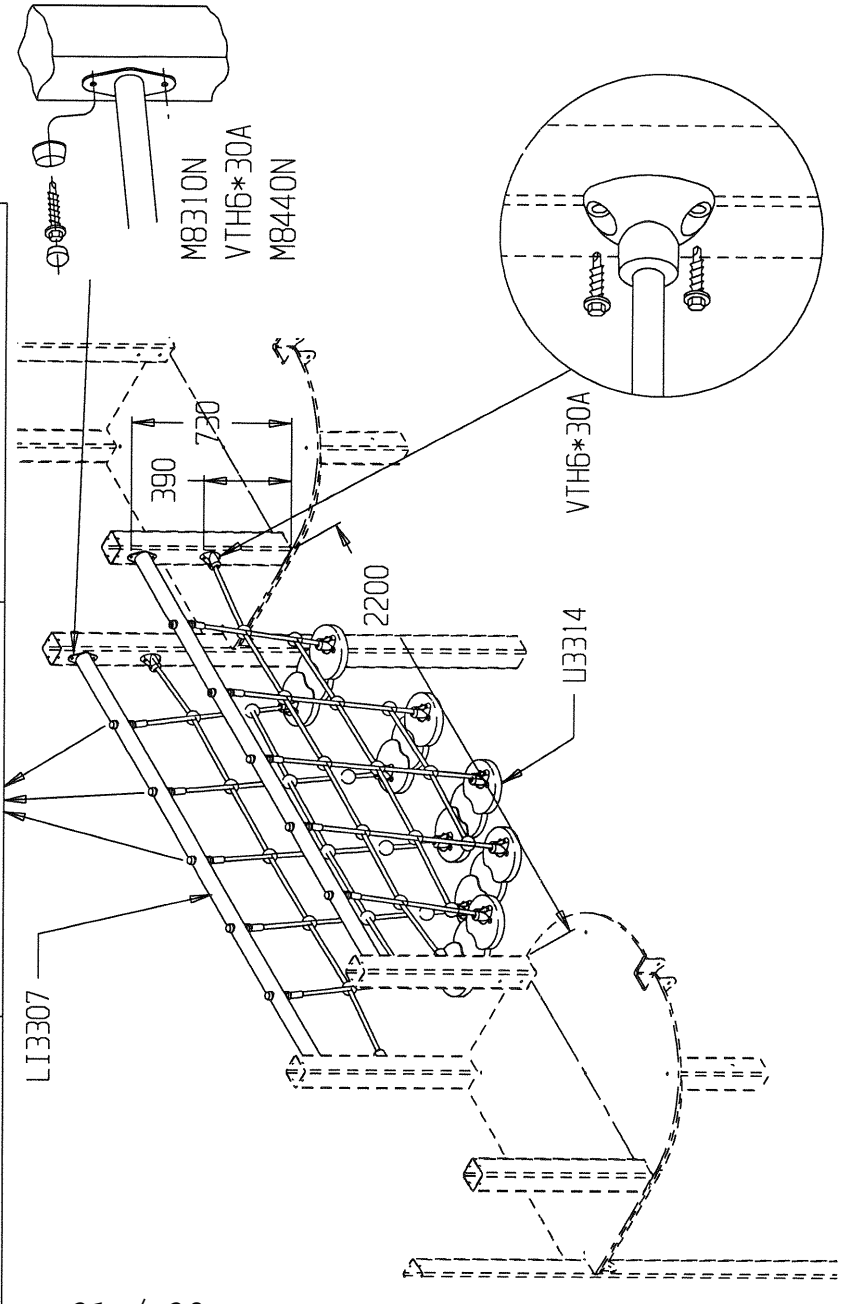
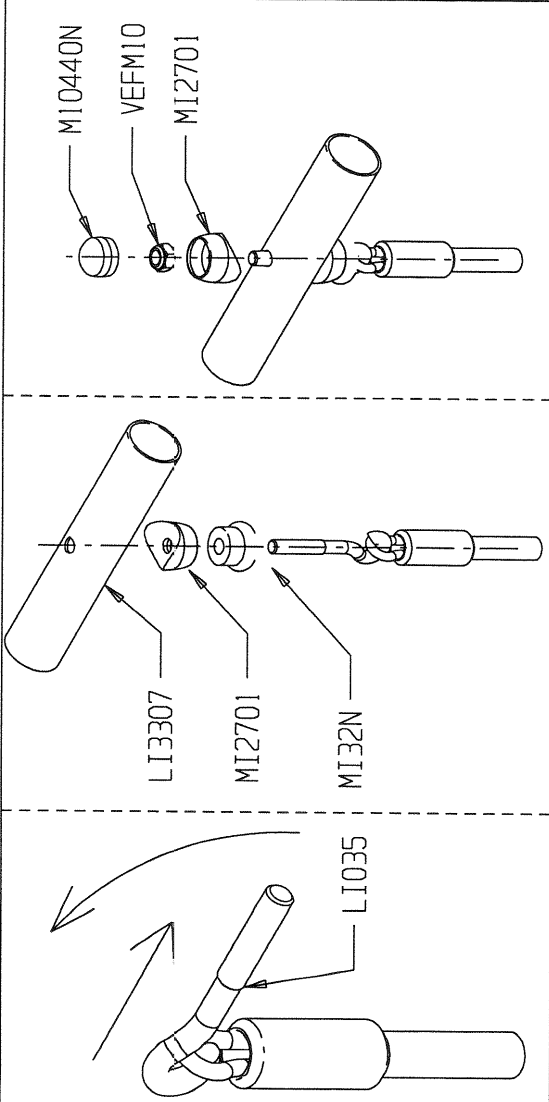
M8310N
VTH6*30A
M8440N



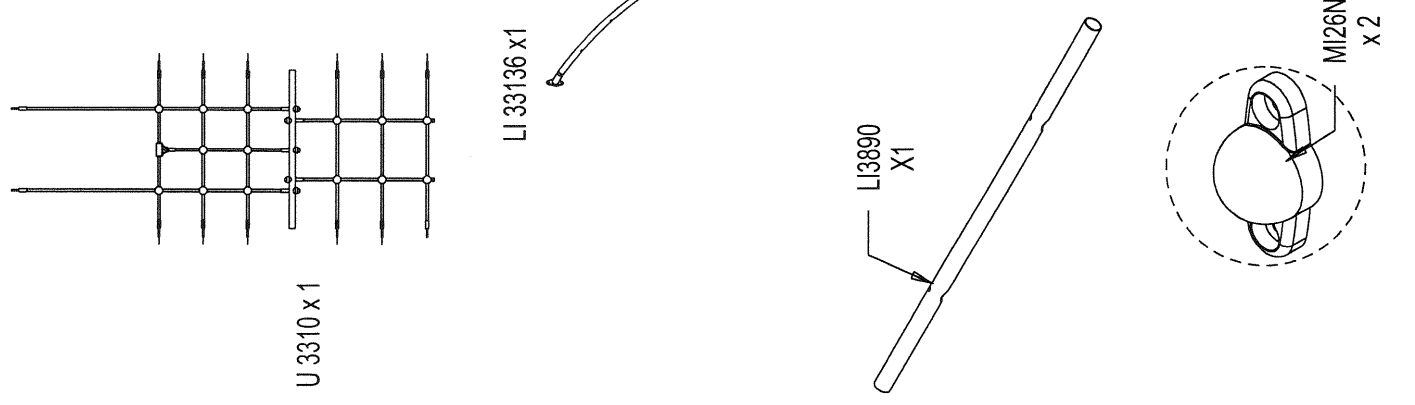
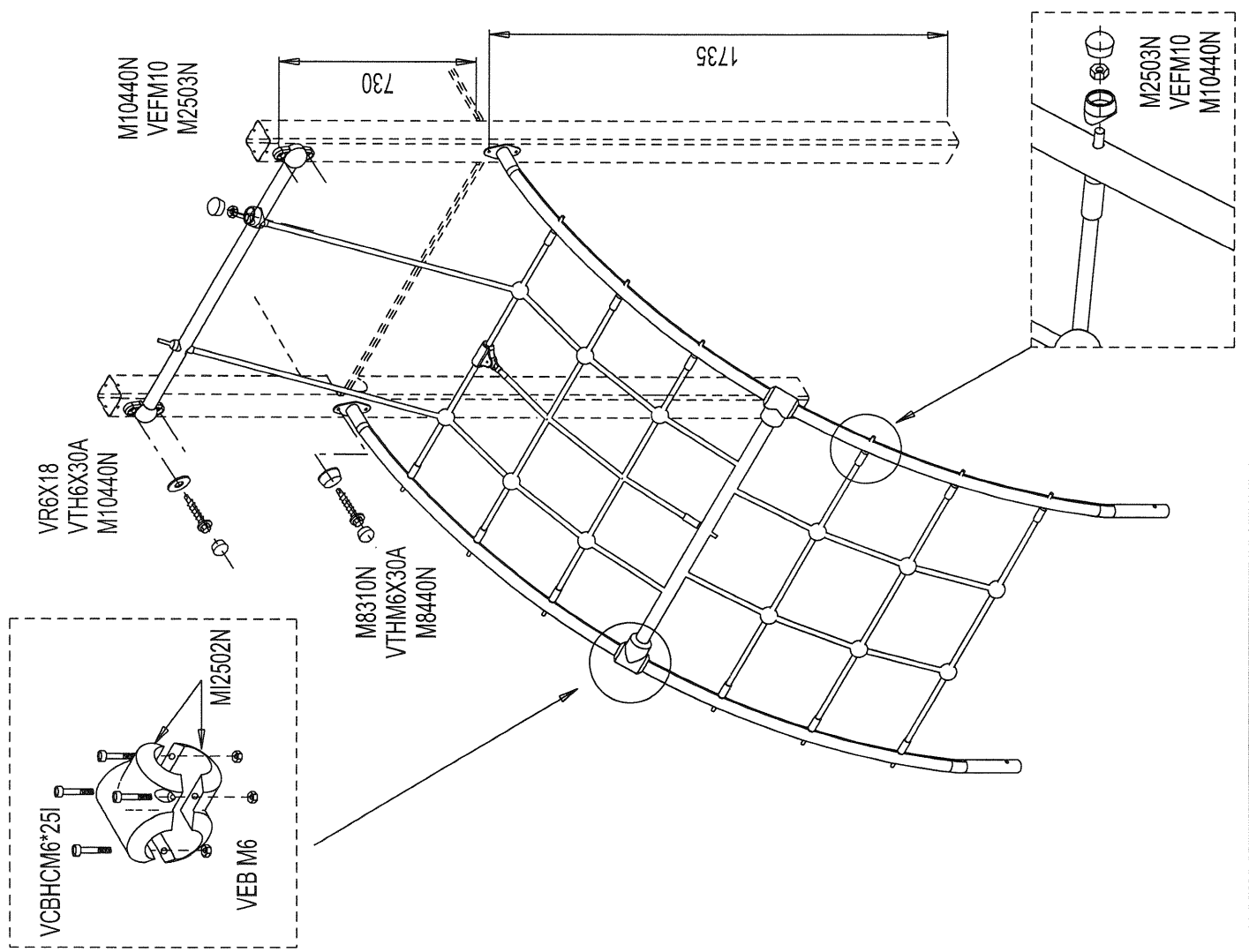
LJ 3306 x 1



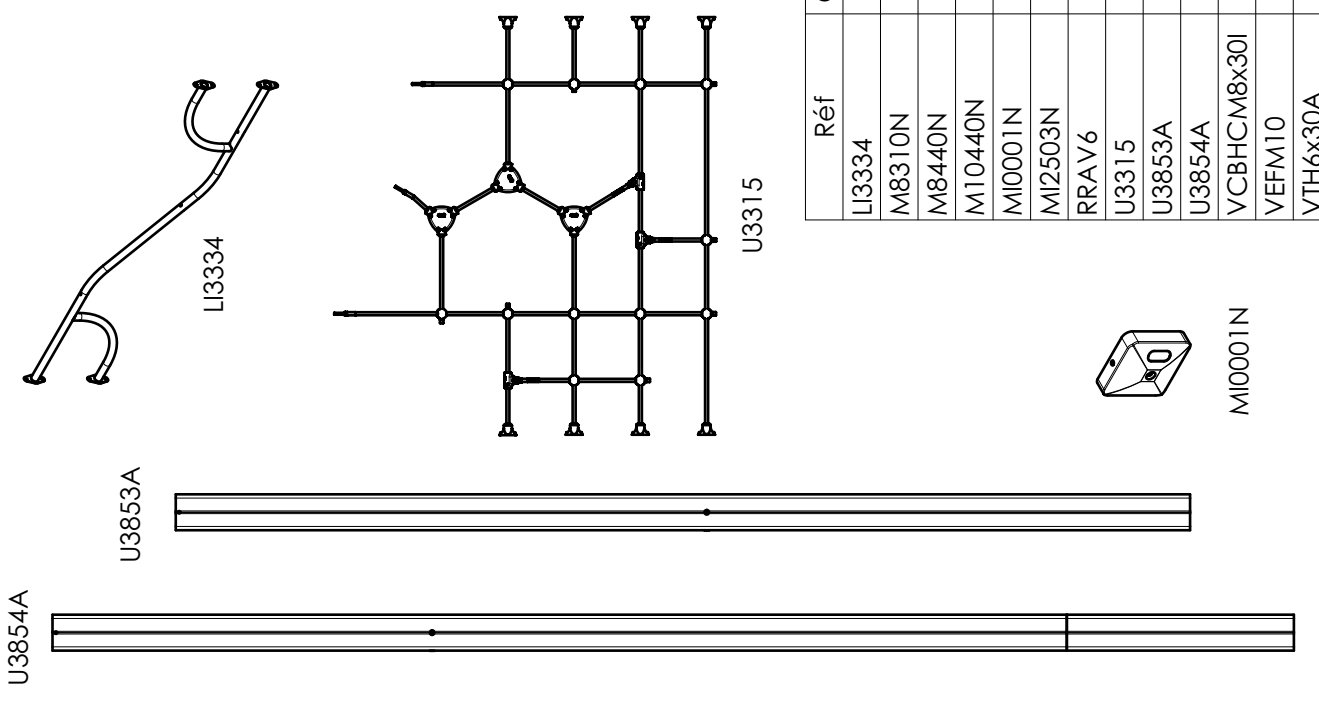
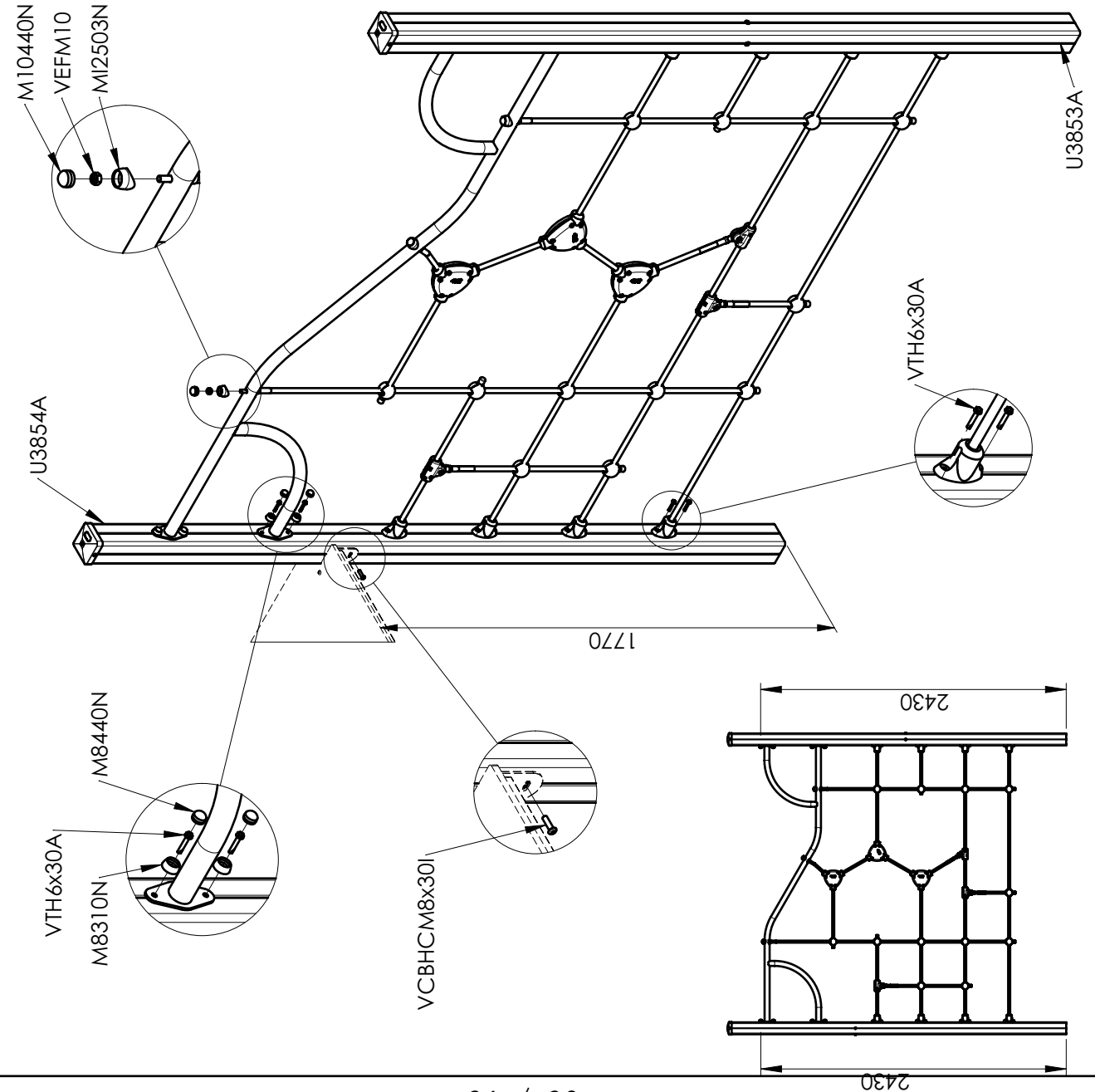
	M8310N	4
	M8440N	4
	VTH6*30A	4



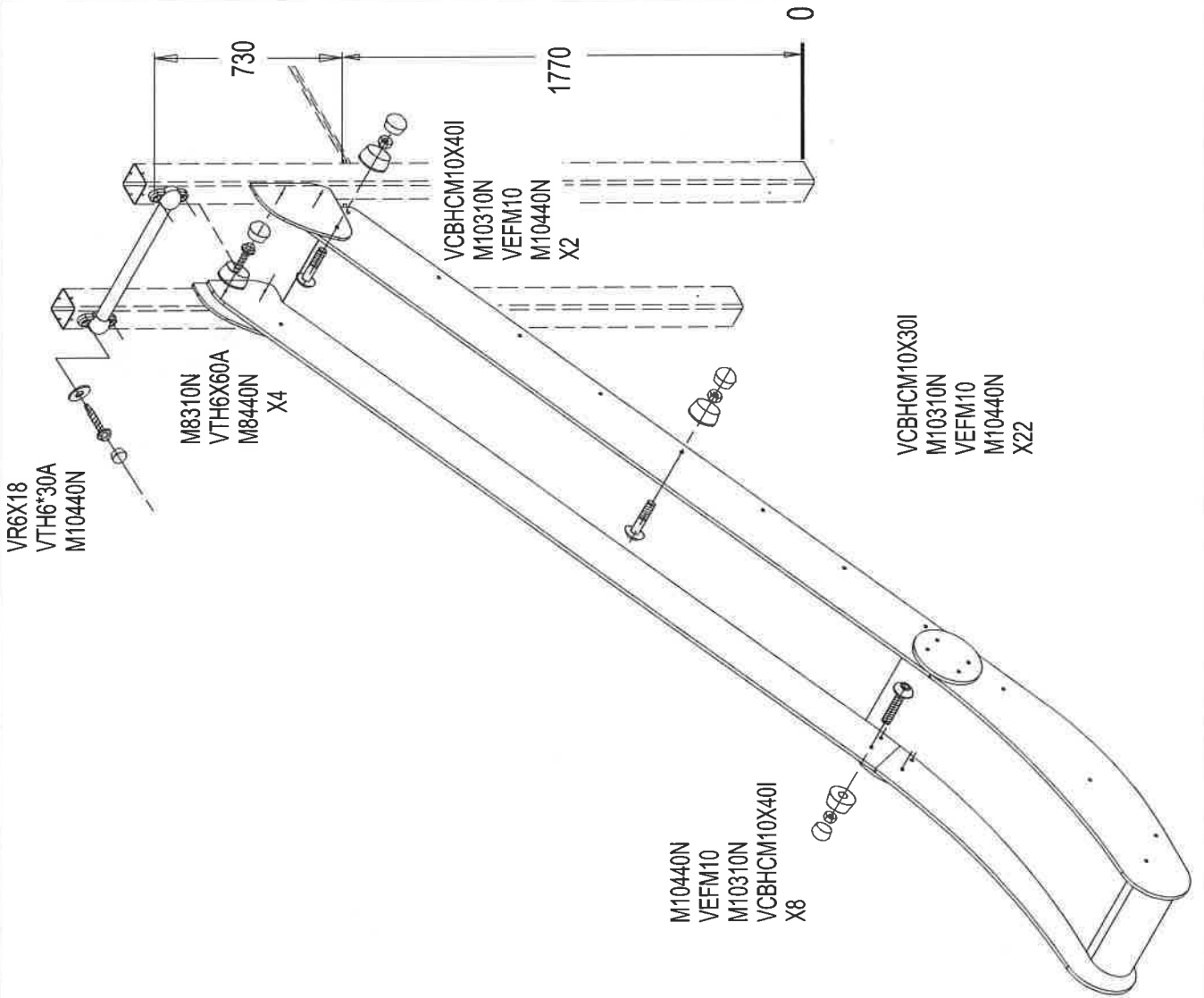
	MI0440N	8
	VEFM10	8
	MI2701	10
	LI3307	10
	MI32N	10
	VEFM10	10
	VTH6*30A	16
	MI2701	20
	MI0440N	10



	M8440N	4
	VR6X18	4
	VCBHCM6X25I	8
	VEBM6	8
	M12503N	12
	M10440N	16
	M8310N	4
	VEFM10	12
	VTH6X30A	8



Réf	Qté
LI3334	1
M8310N	8
M8440N	8
M10440N	3
M10001N	2
M12503N	3
RRAV6	4
U3315	1
U3853A	1
U3854A	1
VCBHCM8x30I	6
VEFM10	3
VTH6x30A	24



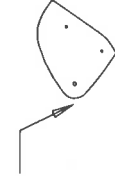
ET38780F
X2



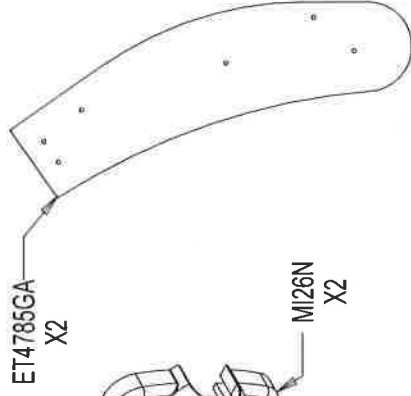
ET4784GA
X2



EP3876M
X2



ET4785GA
X2



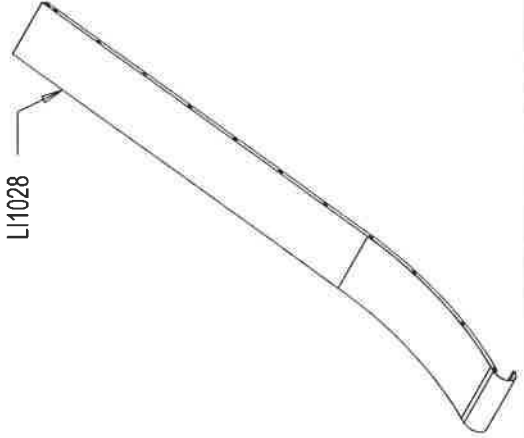
LI1801



MI26N
X2

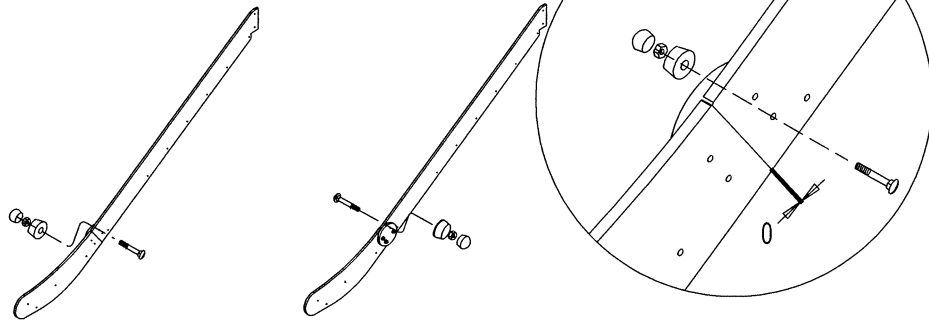


LI1028

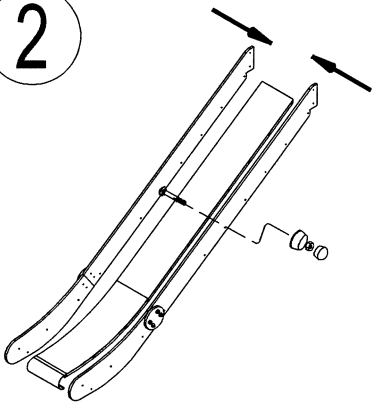


	VR6X18	4
	VCBHC M10X40I	10
	VCBHC M10X30I	22
	M8440N	4
	M8310N	4
	M10440N	36
	M10310N	32
	VEFM10	32
	VTH6X30A	4
	VTH6X60A	4

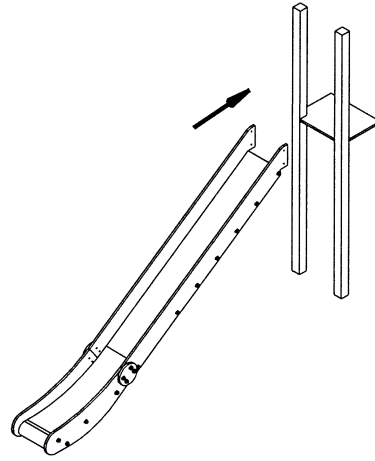
1



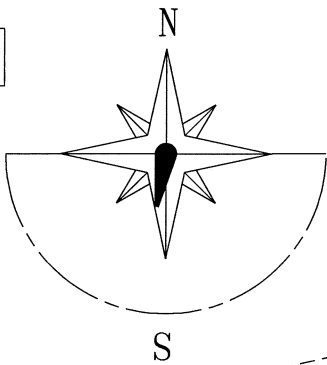
2



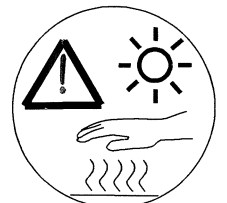
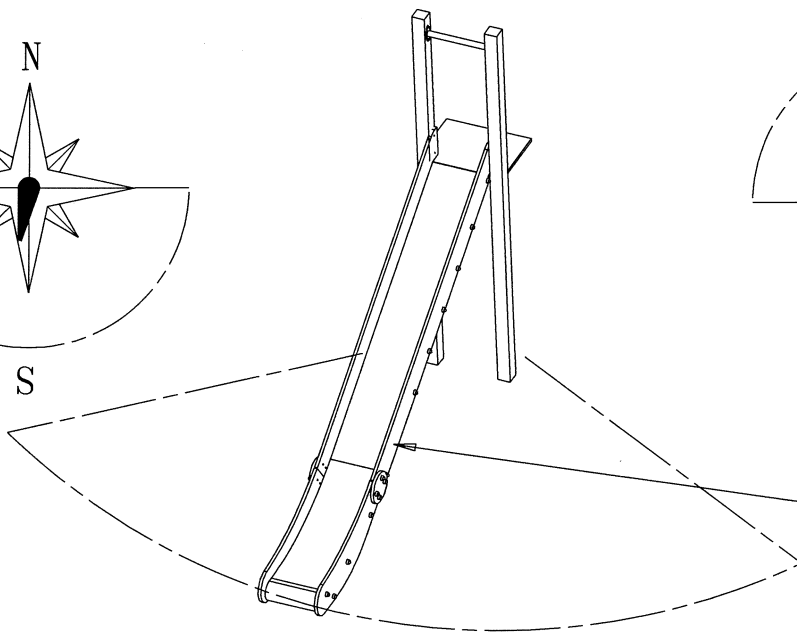
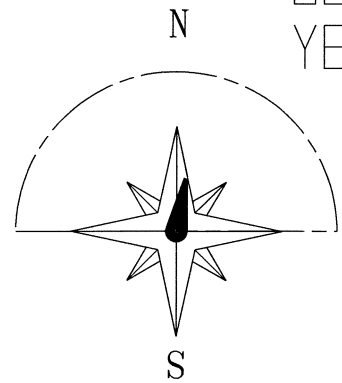
3



NON
NO



OUI
YES

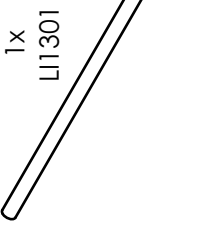
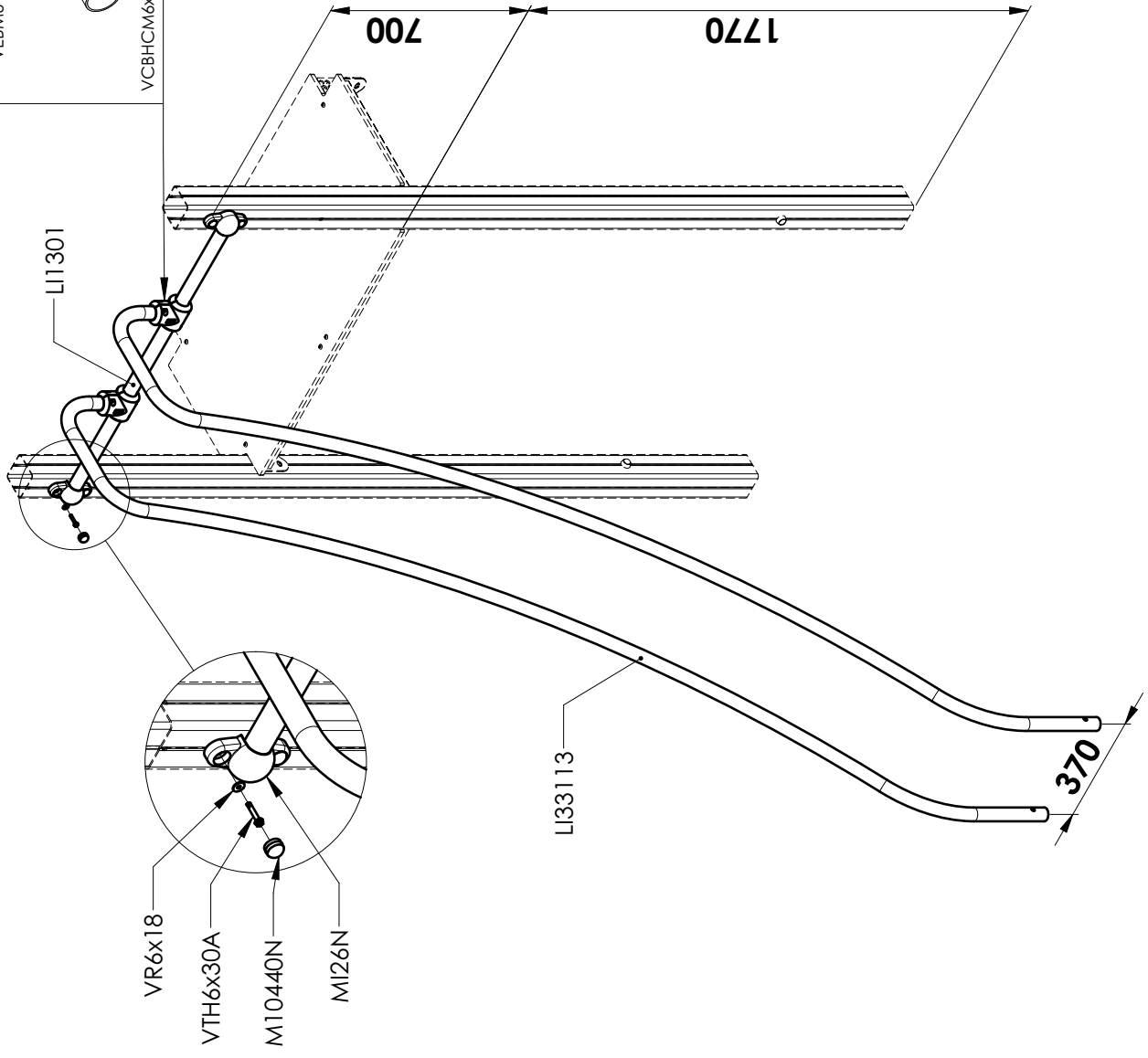
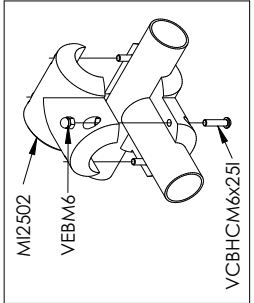


STOBG

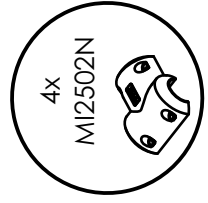
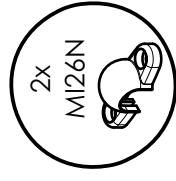
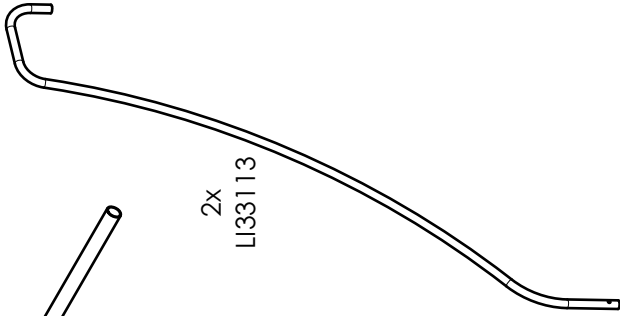
FR

Il est recommandé de ne pas orienter la glissière Sud / Sud Ouest

1

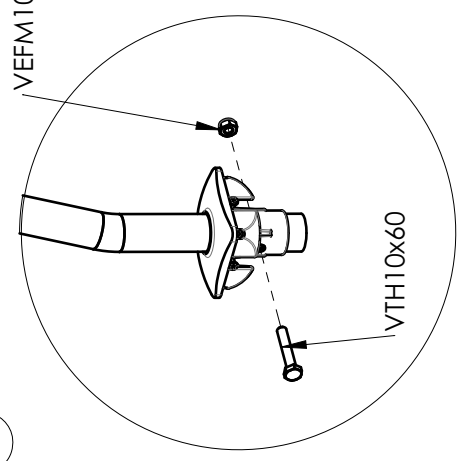


2x
LI33113

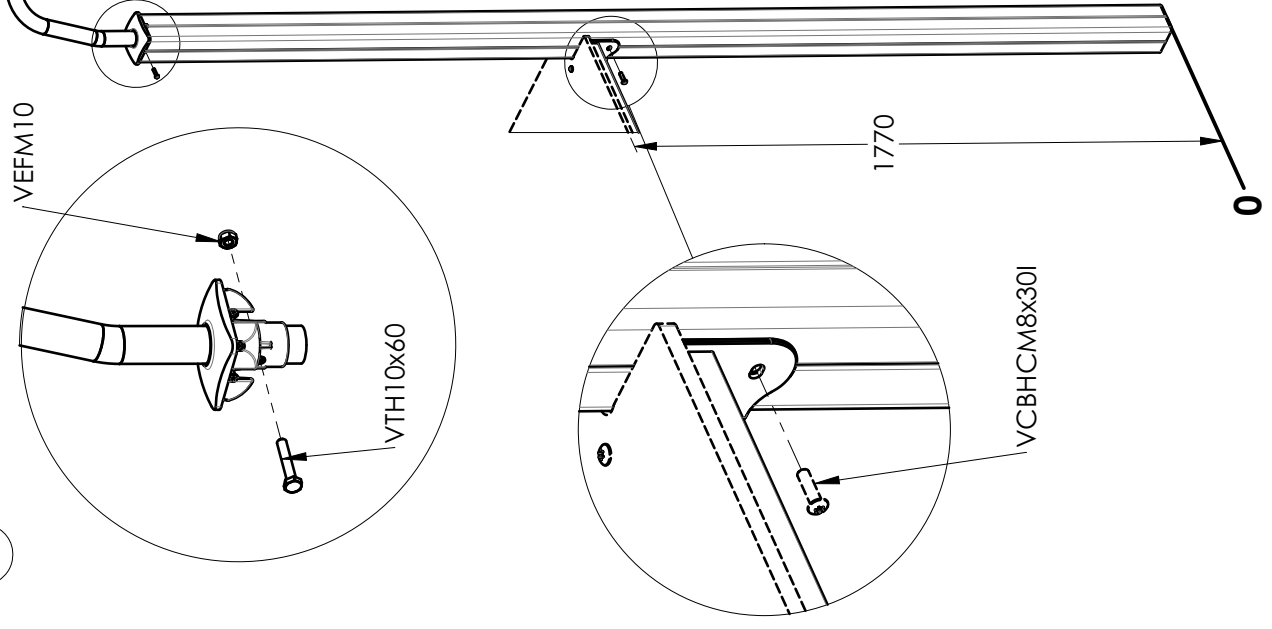
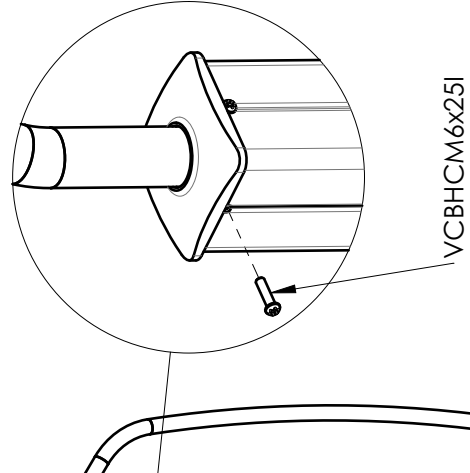


LI1301	1
LI33113	2
M10440N	4
MI26N	2
MI2502N	4
VCBHCM6x25I	8
VEBM6	8
VR6x18	4
VTH6x30A	4

1



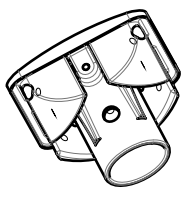
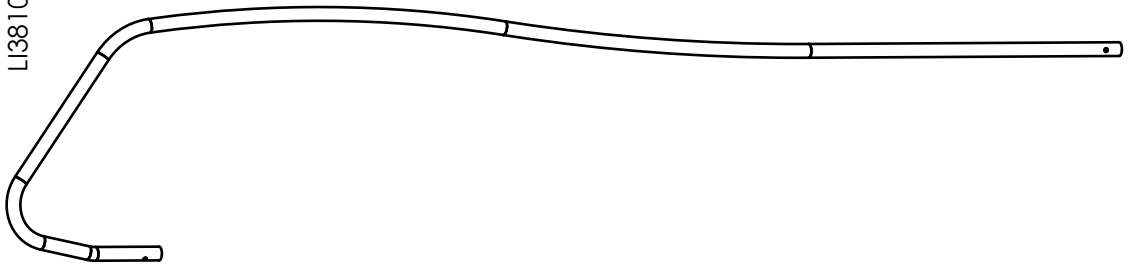
2



U3855A



LI38106



LAP3800

Réf	Qté
LI38106	1
U3855A	1
VCBHCM6x25I	4
VEFM10	1
VTH10x60	1
LAP3800	1