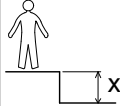
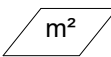




N°		
1	1 m	5 m ²
2	1.37 m	16 m ²
3	2 m	10.5 m ²
4	2.6 m	17 m ²

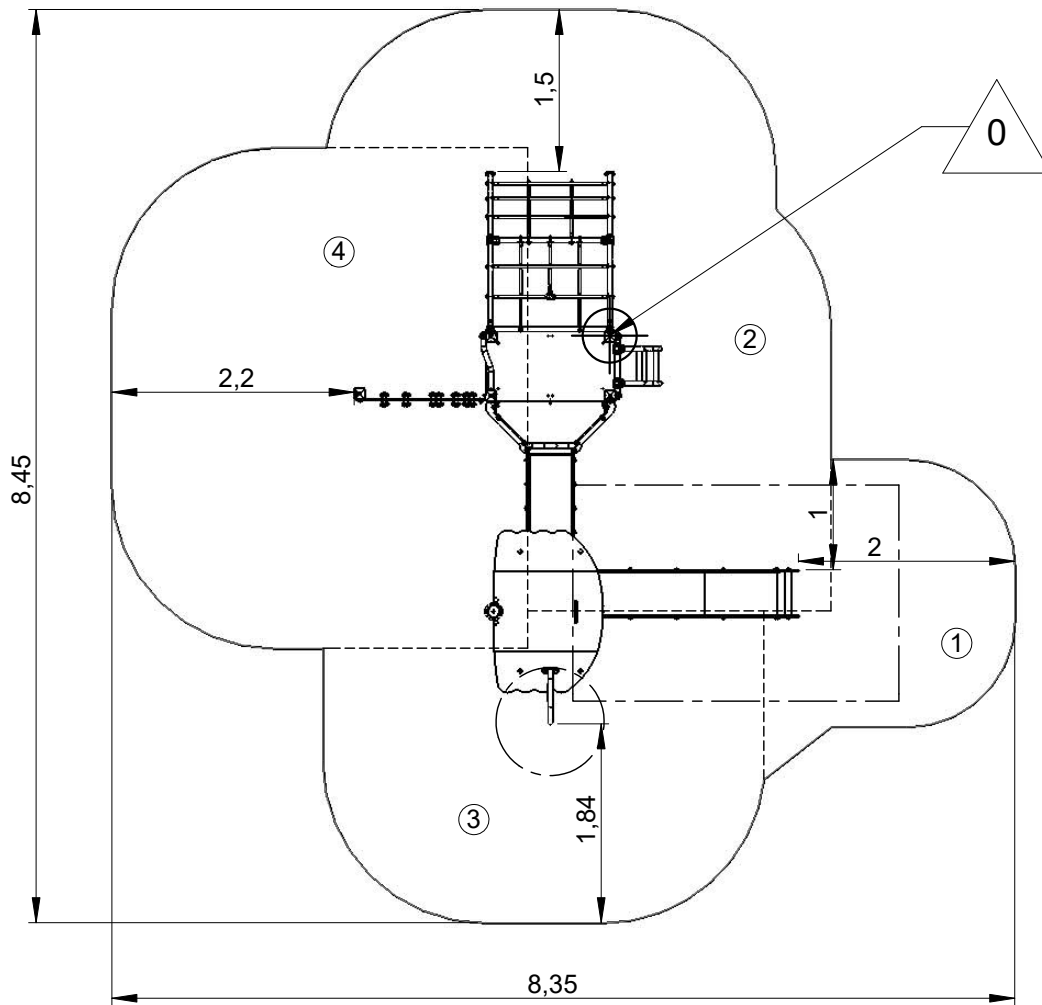
— Zone d'impact
Impact area
Area de impacto
Fallraum
Valzone

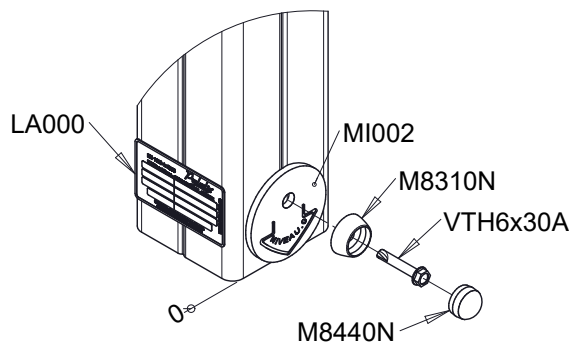
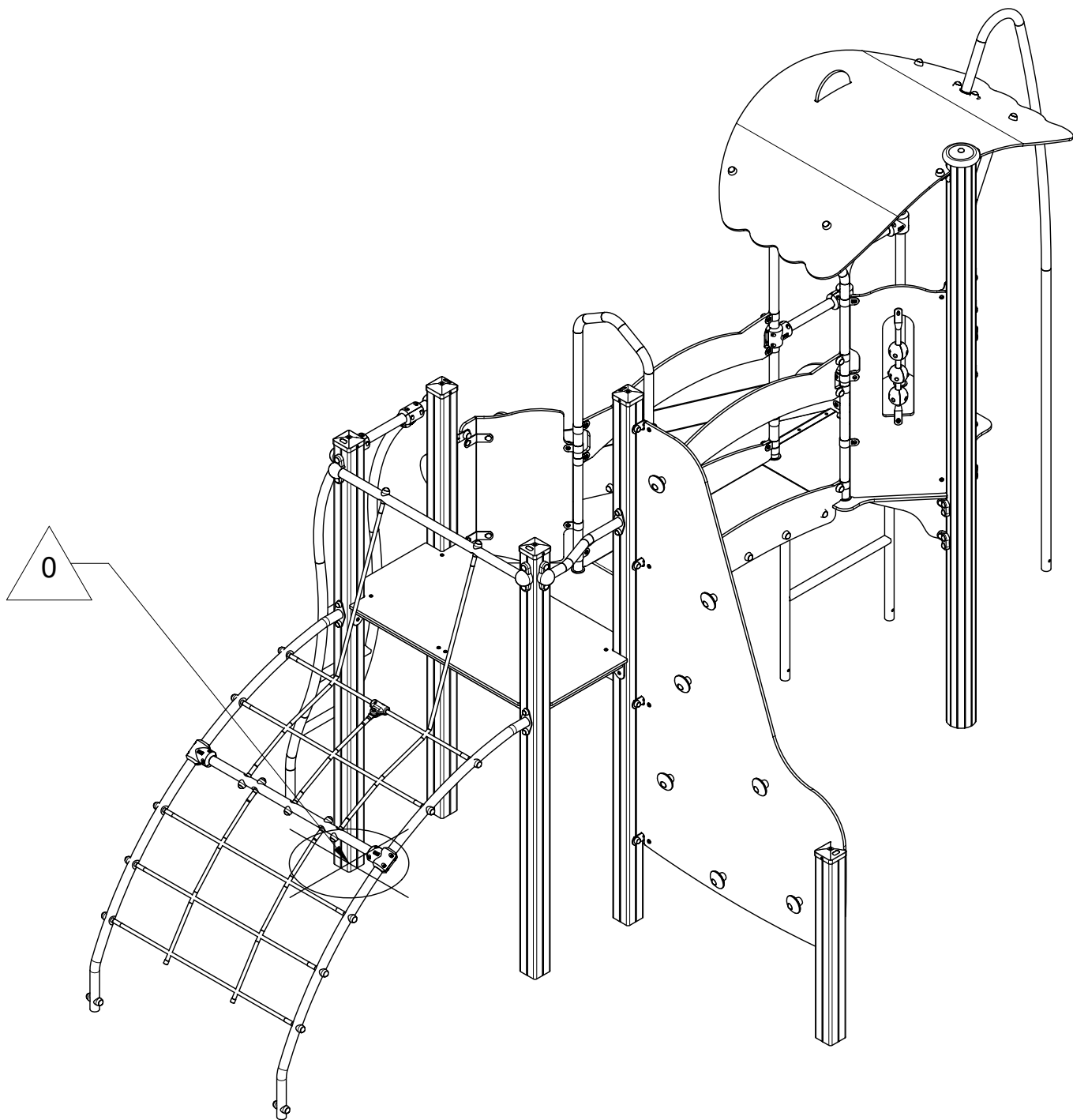
- - - Espace libre
Free space
Espacio libre
Freiraum
Vrije ruimte



Point de référence
Setting out point
Punto de referencia
Bezugspunkt
Referentiepunt

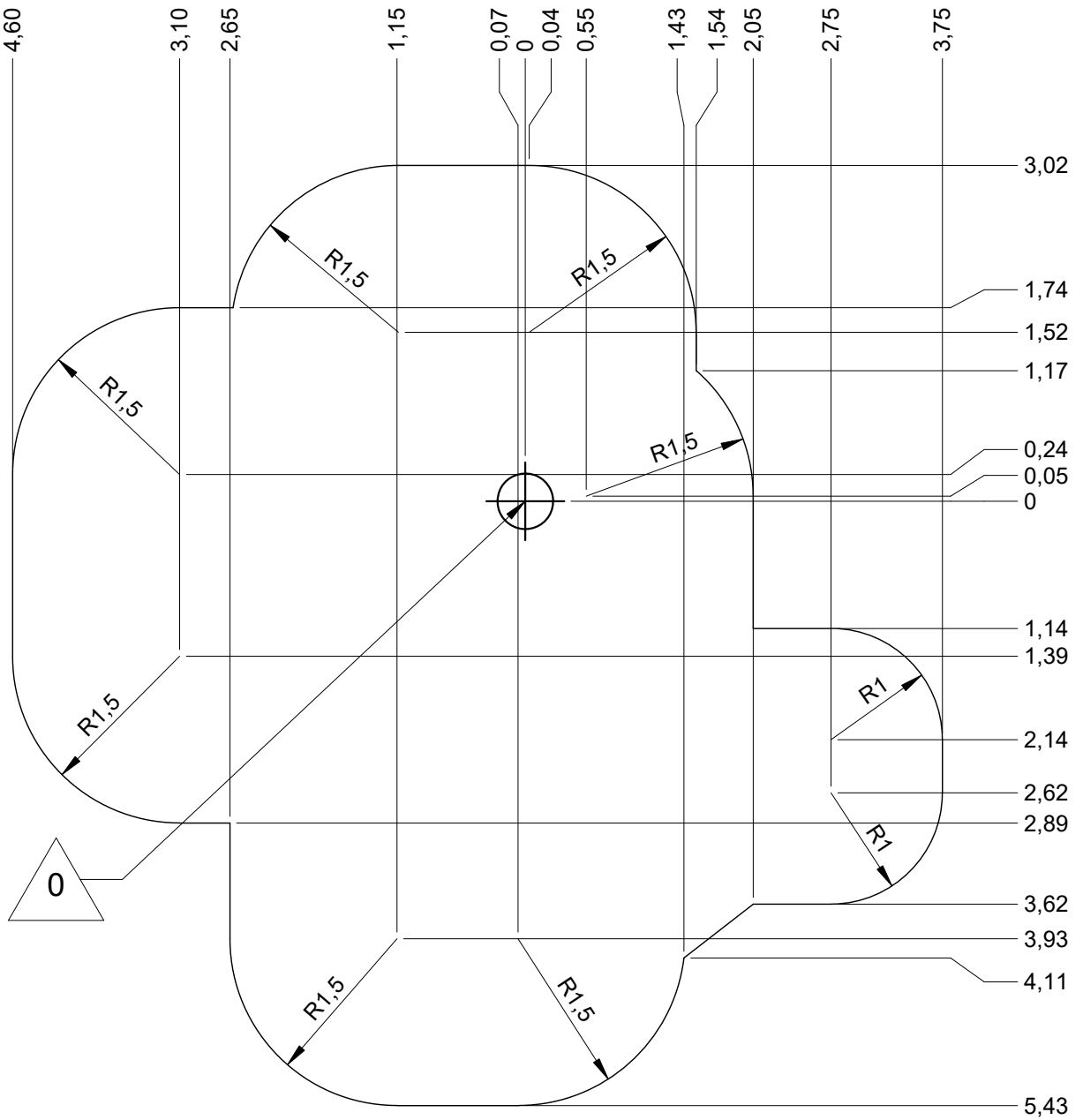
EN1176-1:2017
EN1176-3:2017





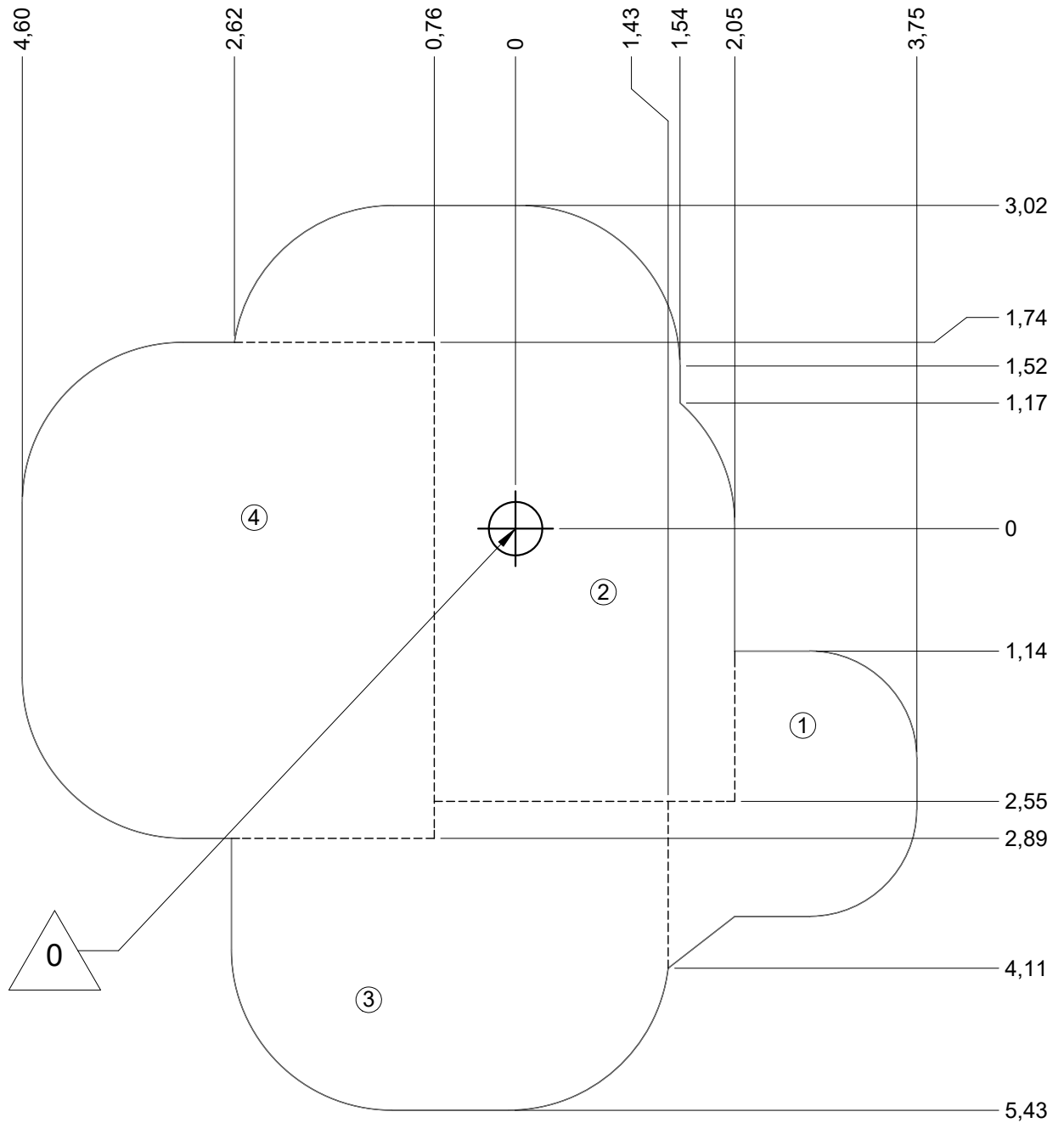
— Zone d'impact
 Impact area
 Area de impacto
 Fallraum
 Valzone

48.5 m²



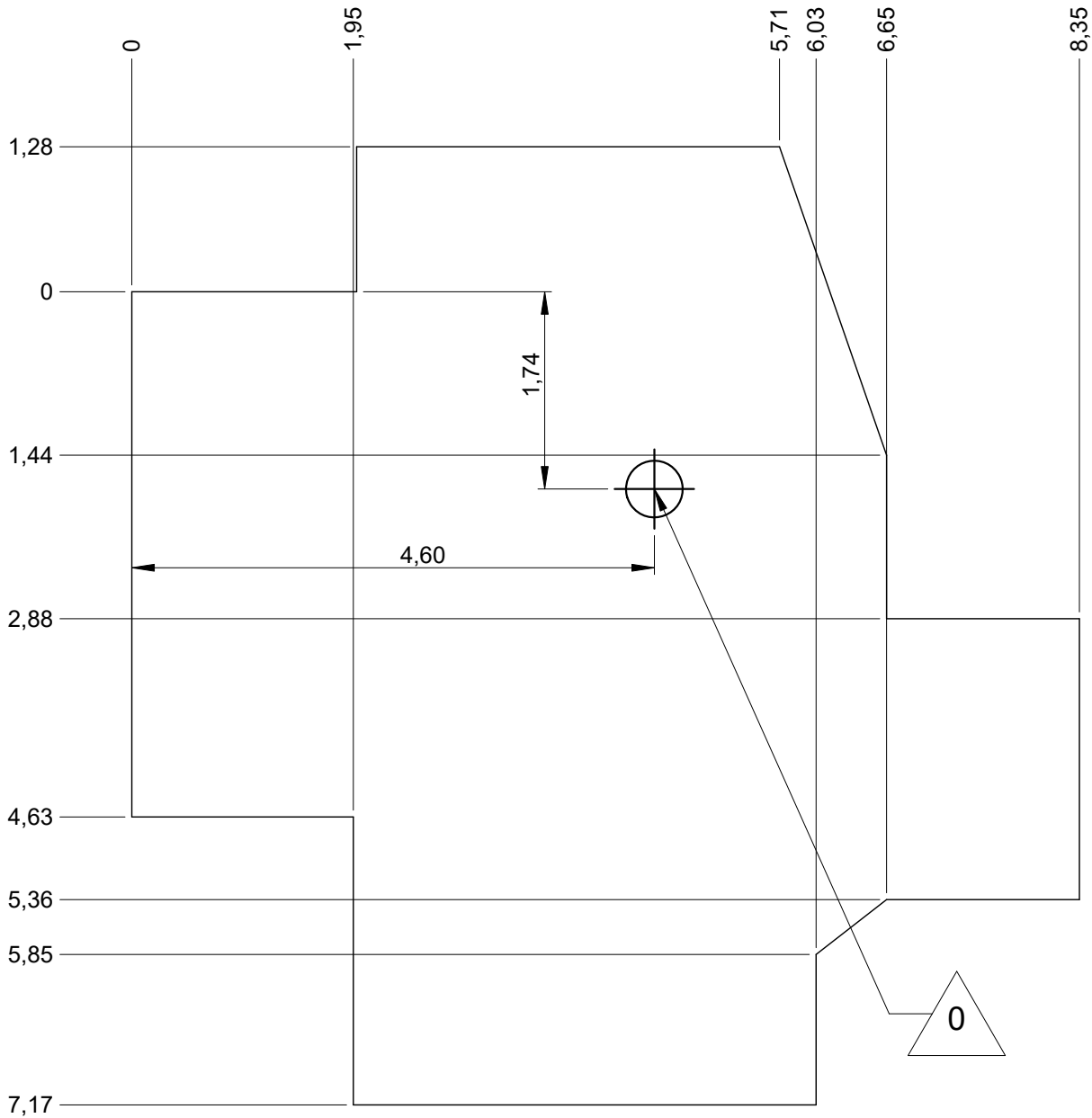
— Sol souple
 Wepour
 Caucho continuo
 Synthetischer fallschutz
 Gietvloer

48.5 m²



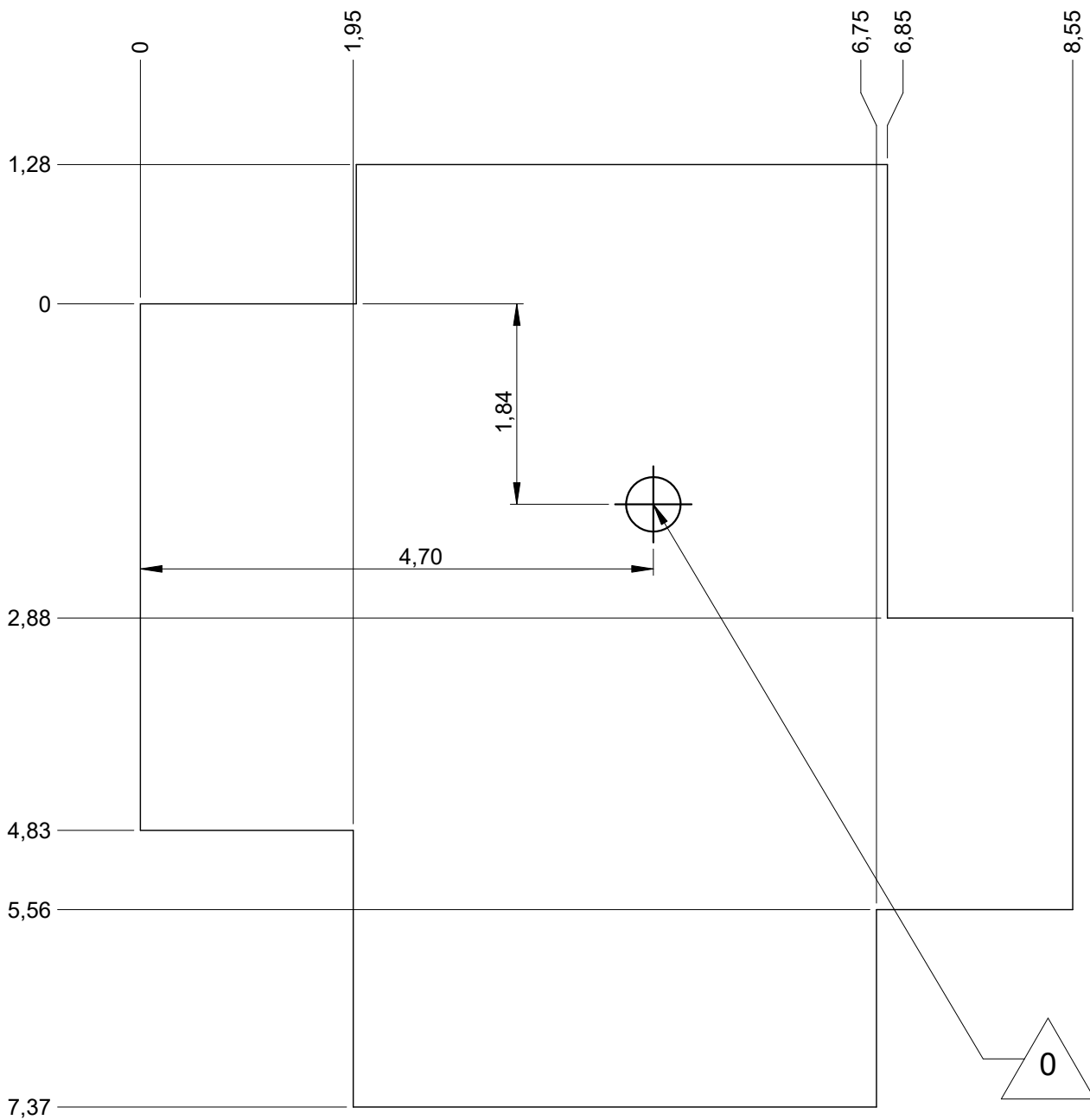
— Dalle béton
 Concrete pad
 Solera de hormigon
 Beton bodenplatte
 Betonnen bodemplaat

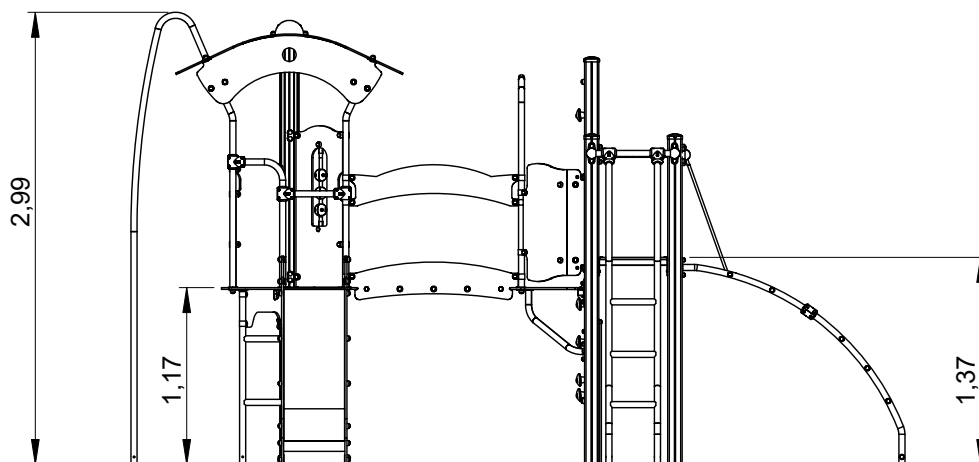
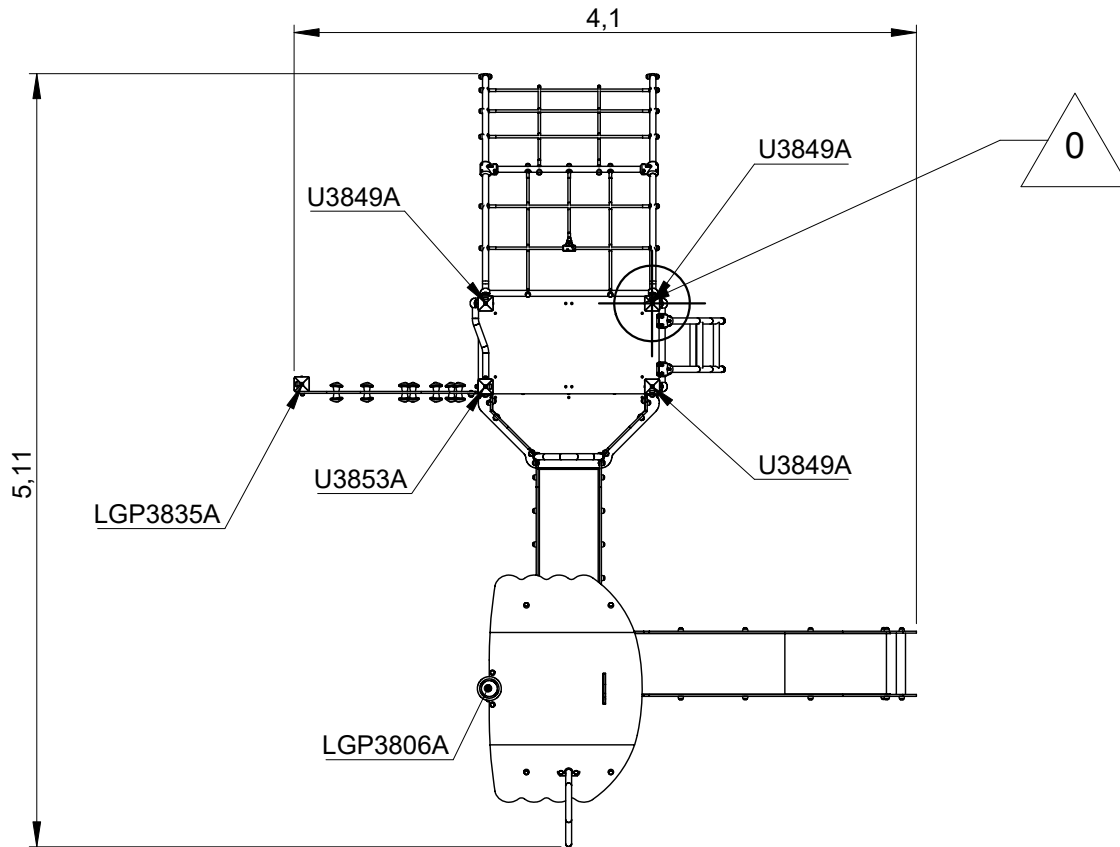
33 m
51 m²



— Sol fluent
 Loos partucule material
 Arenero
 Loses Bodenmaterial
 Los bodemmaterialaal

35 m
56 m²

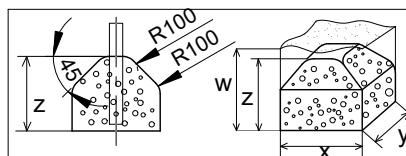
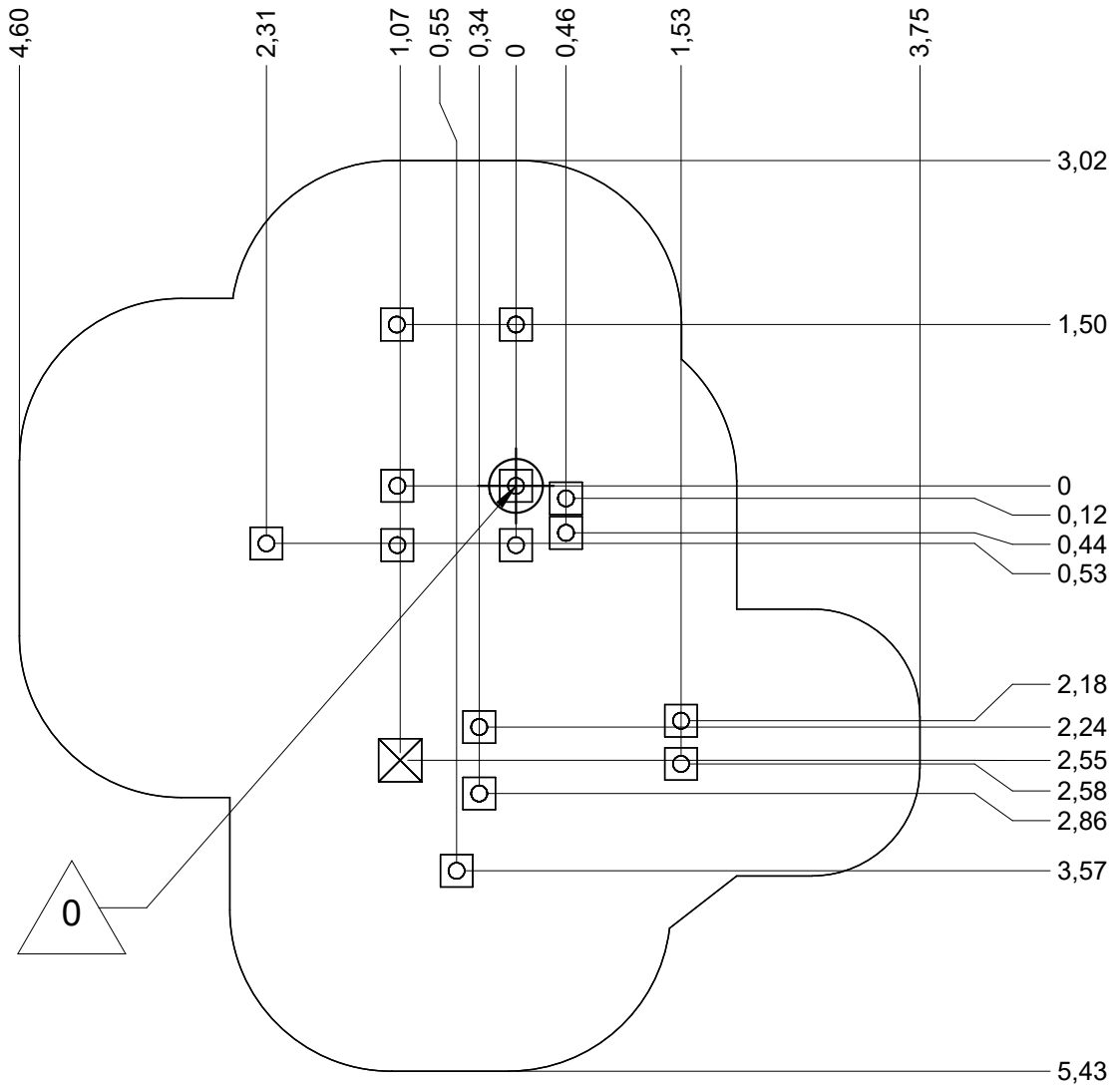




J38102A-C

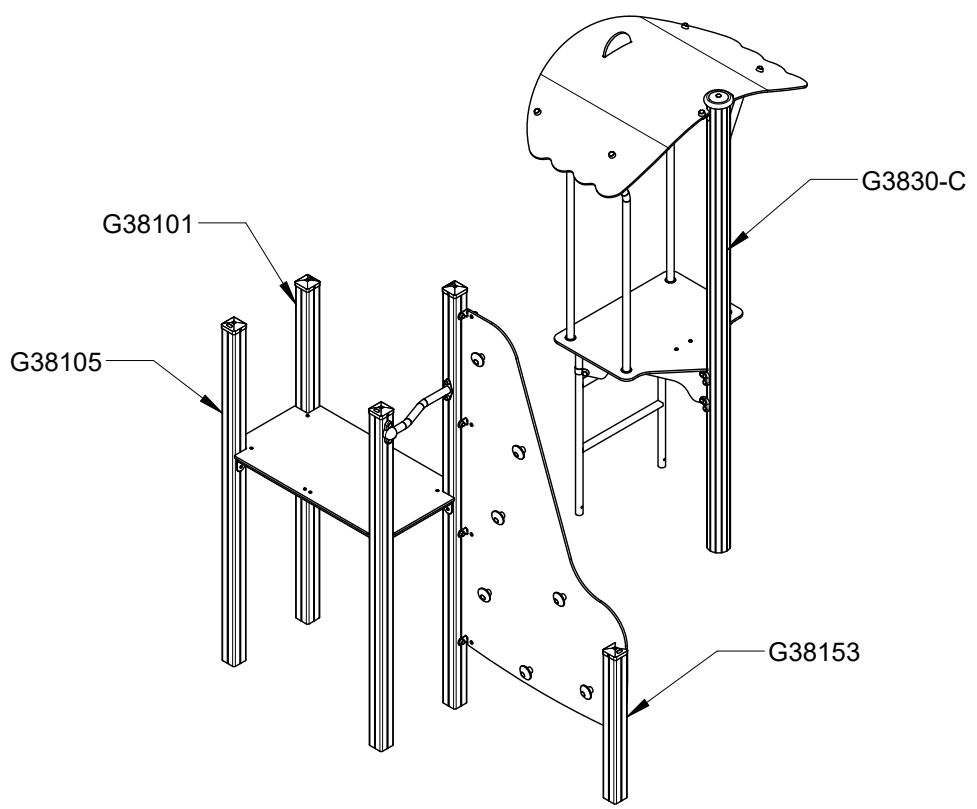


Implantation
 Footing plan
 Implantación
 Fundamentplan
 Funderingstekening

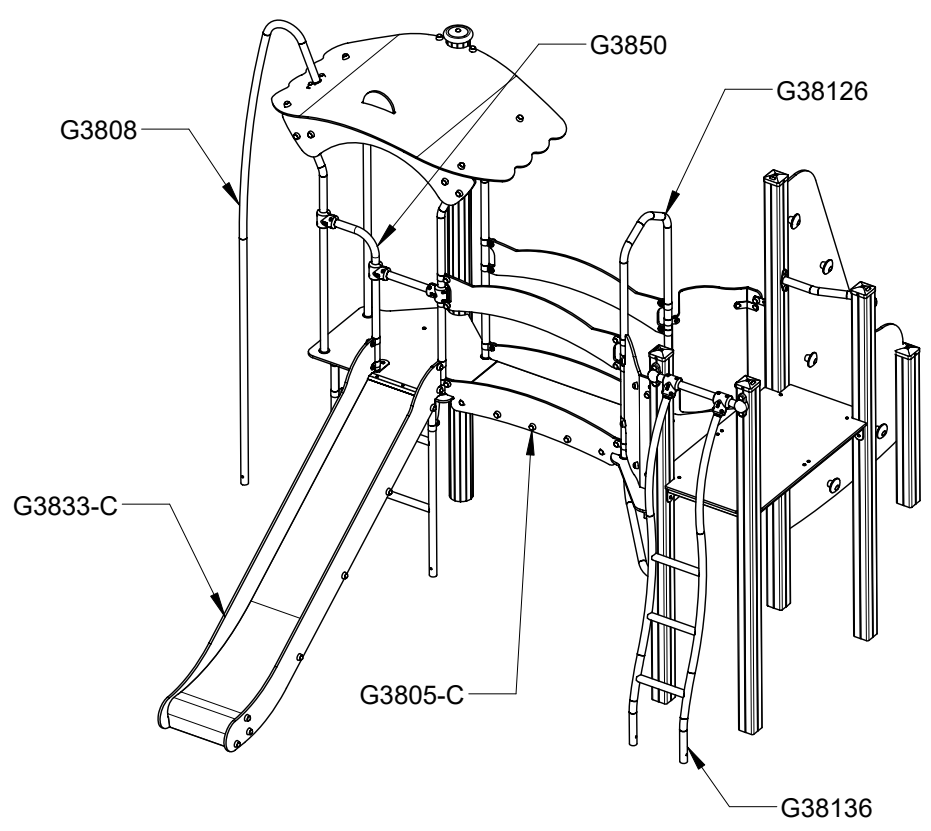


	x	y	z	w
	0.3	0.3	0.3	0.6
	0.4	0.4	0.3	0.6
	0.6	0.3	0.3	0.6

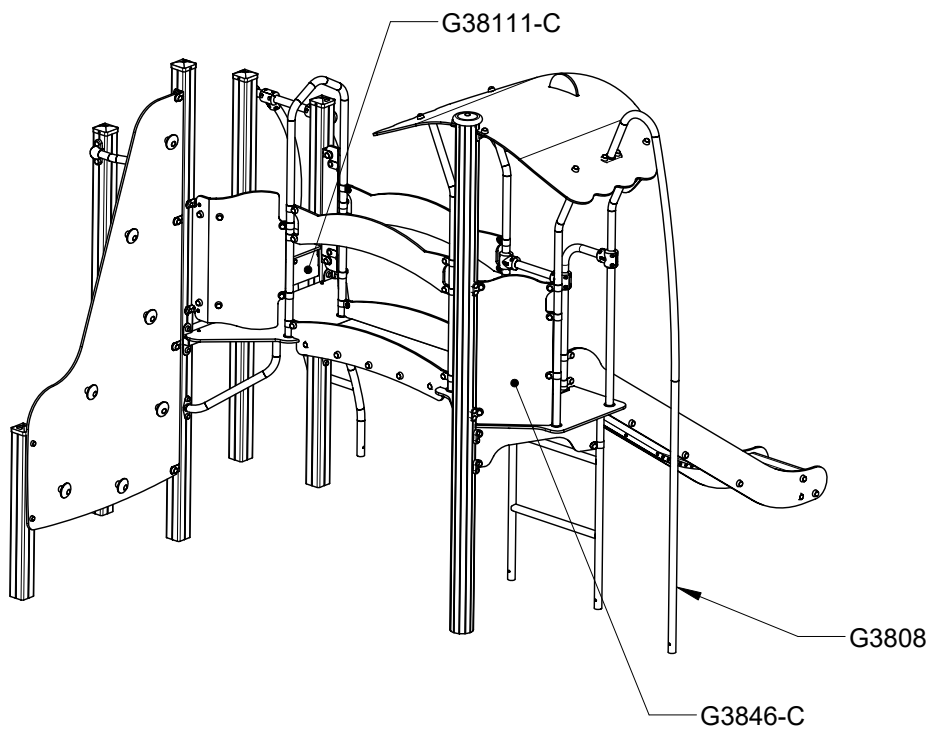
1



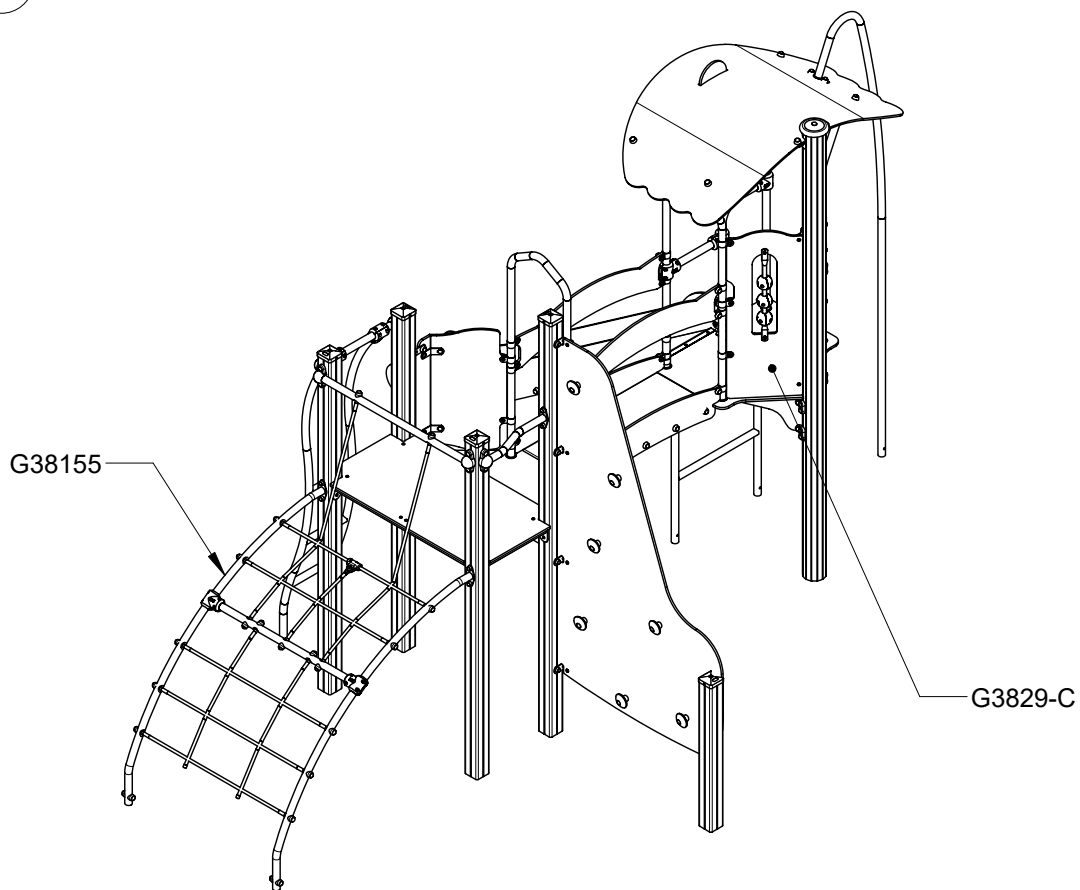
2

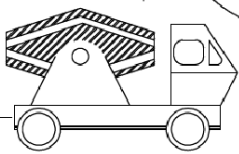
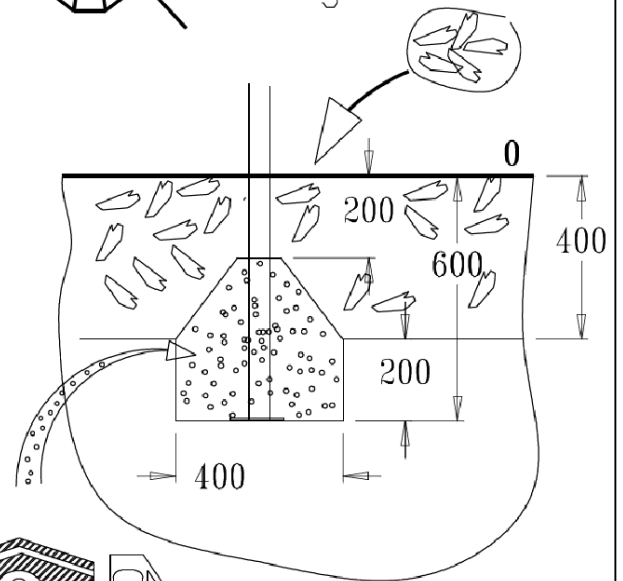
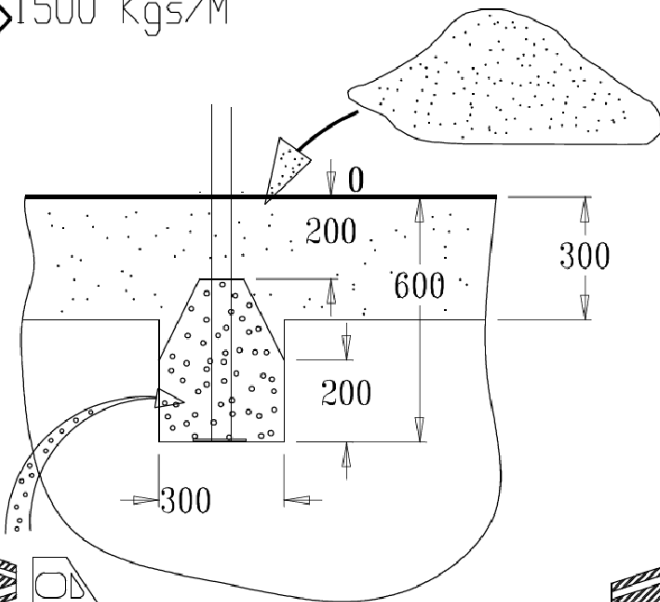
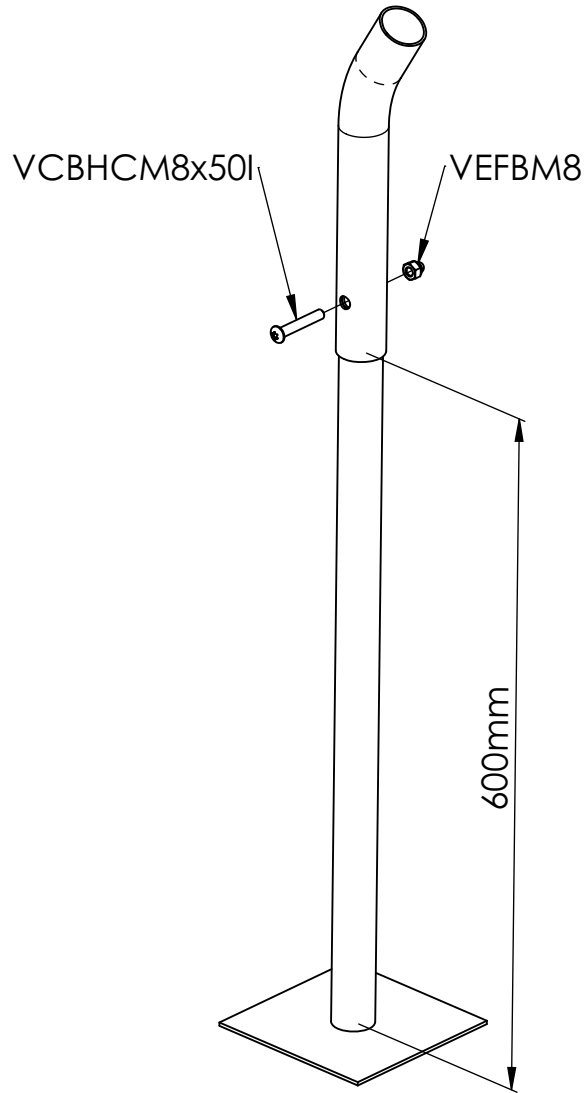


3

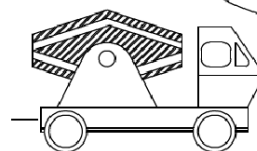


4





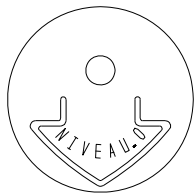
50 Kgs



90 Kgs

A

Proludic



MI0002

VCBHCM10

M10310N
VEFM10
M10440N

LG08

M10440N
VEFM10
MI2503

LG3802

M10440N
VTH10*80
MI2503

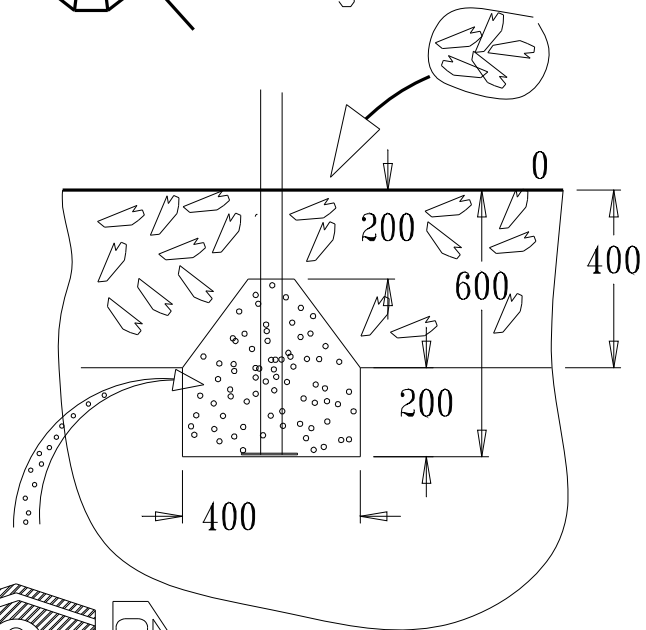
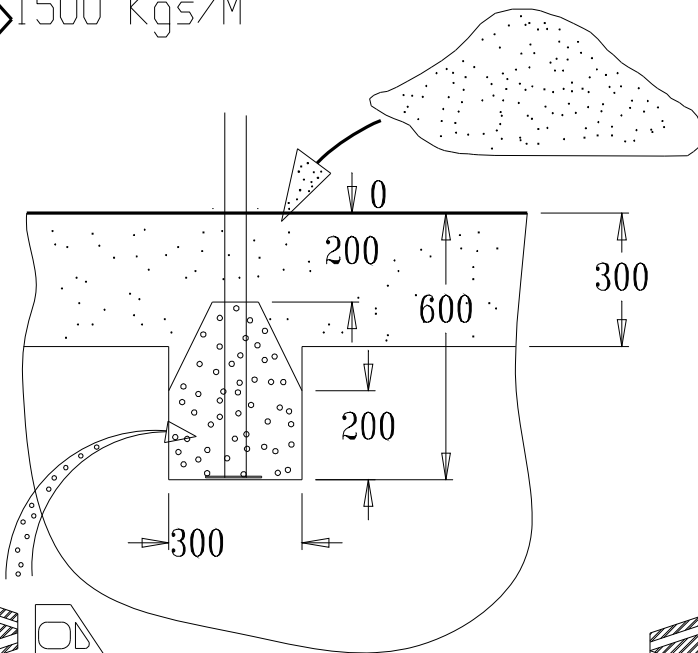
LG3804

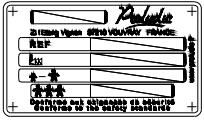


> 1500 Kgs/M³

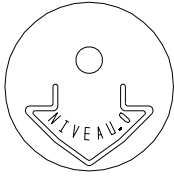


< 1500 Kgs/M³

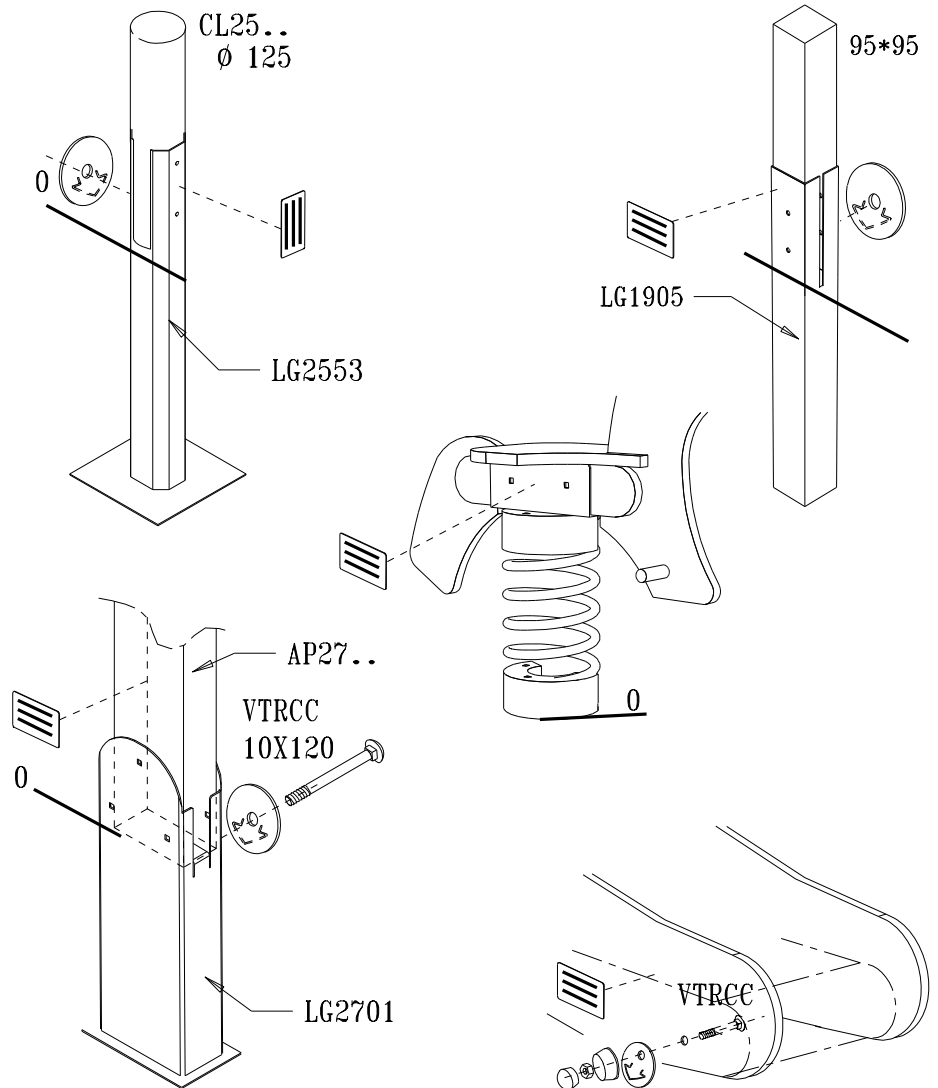
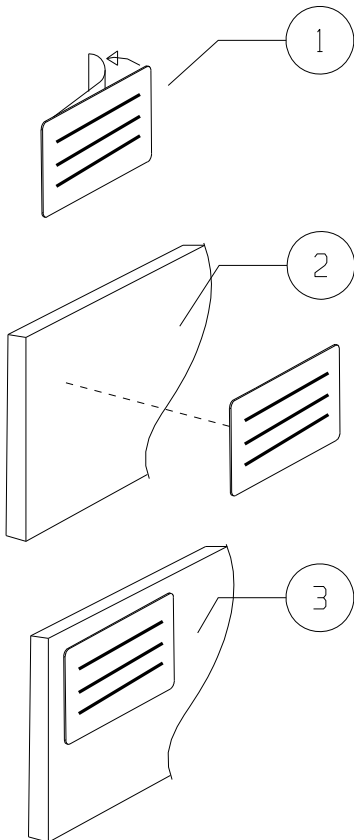
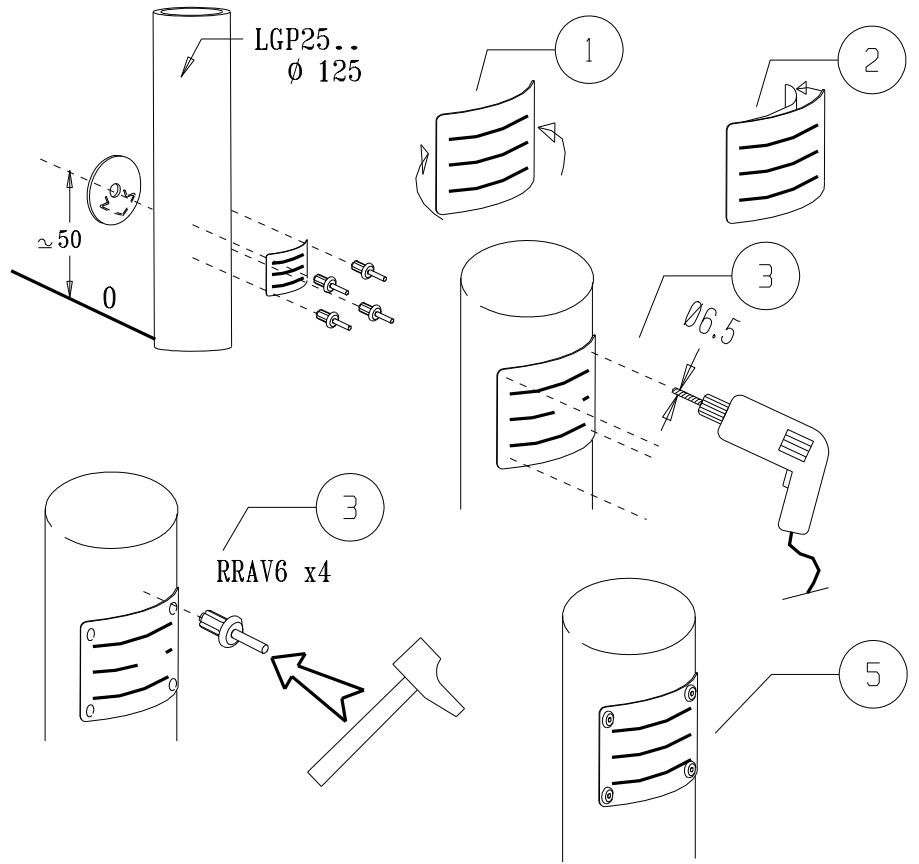


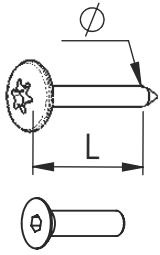


LA000



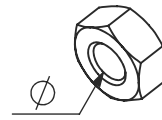
MI0002



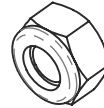


VBT 6 x 30
 \varnothing L (mm)

VFHC



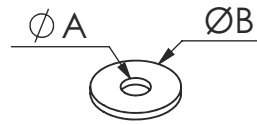
VEC M10
 \varnothing



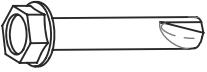
VEF




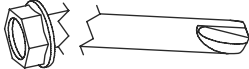
VEB



VR6x18
 $\varnothing A$ $\varnothing B$




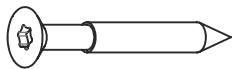
VTHA

1000 - 1800 tr/min
 Vitesse de rotation
 Rotation speed

14 N.m
 Couple de rupture
 Torque of break

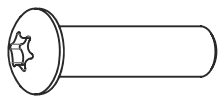




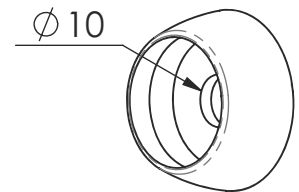
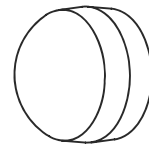
VWT



VGC

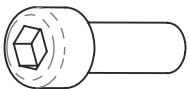


VCBHC

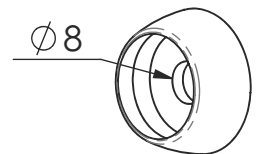
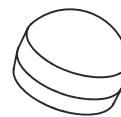


M10 440N

M10 310 N

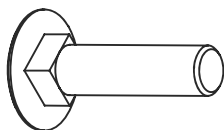


VBTR

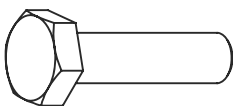


M8440N

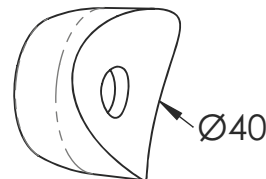
M8310N



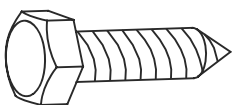
VTRCC



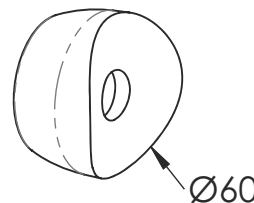
VTH



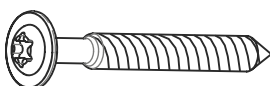
MI2503



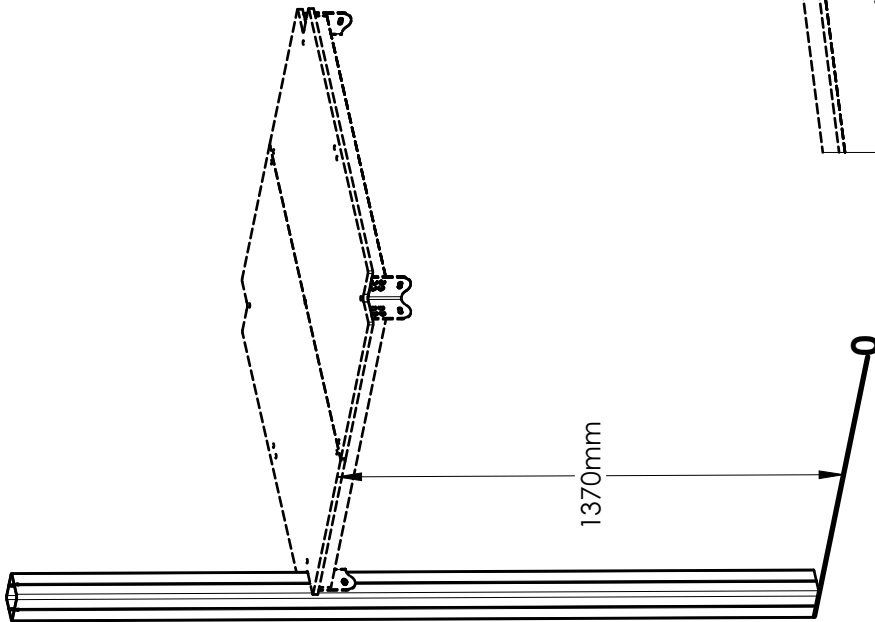
VTF



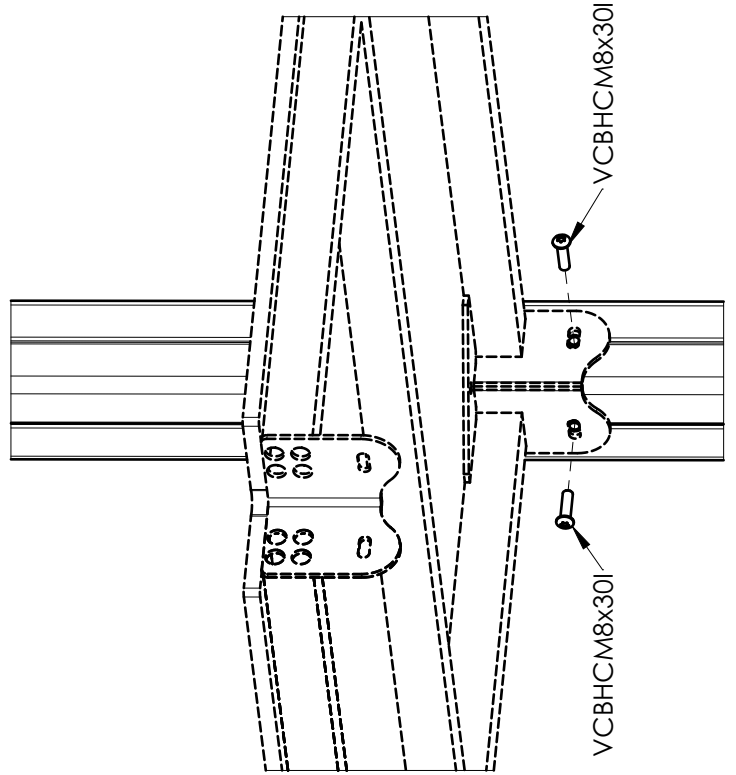
MI2701



VBT



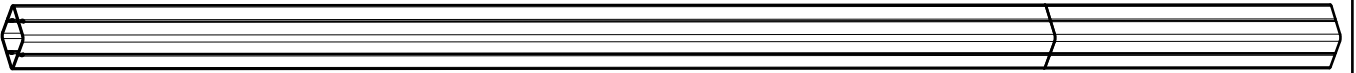
1370mm



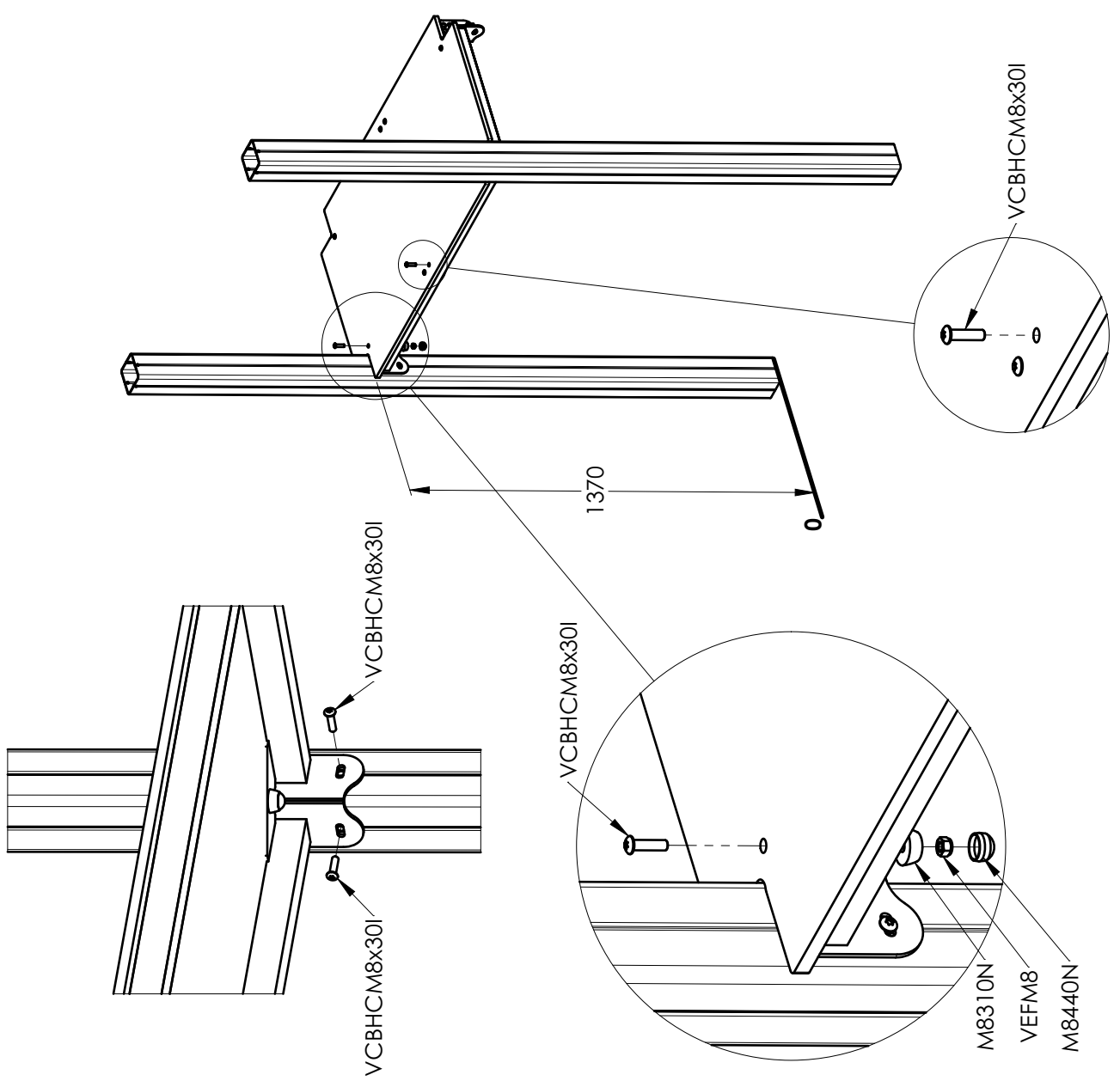
VCBHC8x30I

VCBHC8x30I

U3849A



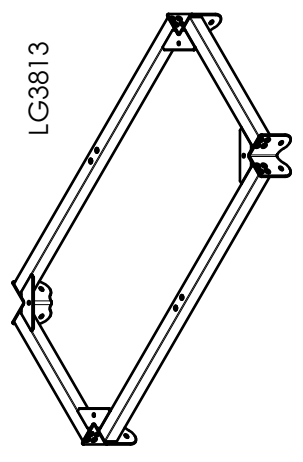
Réf	Qté
VCBHC8x30I	2
U3849A	1



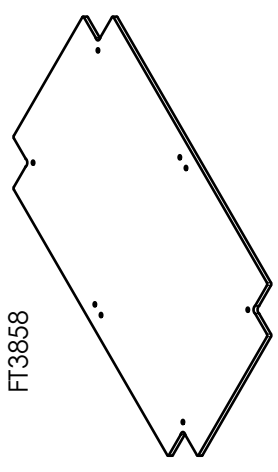
U3849A



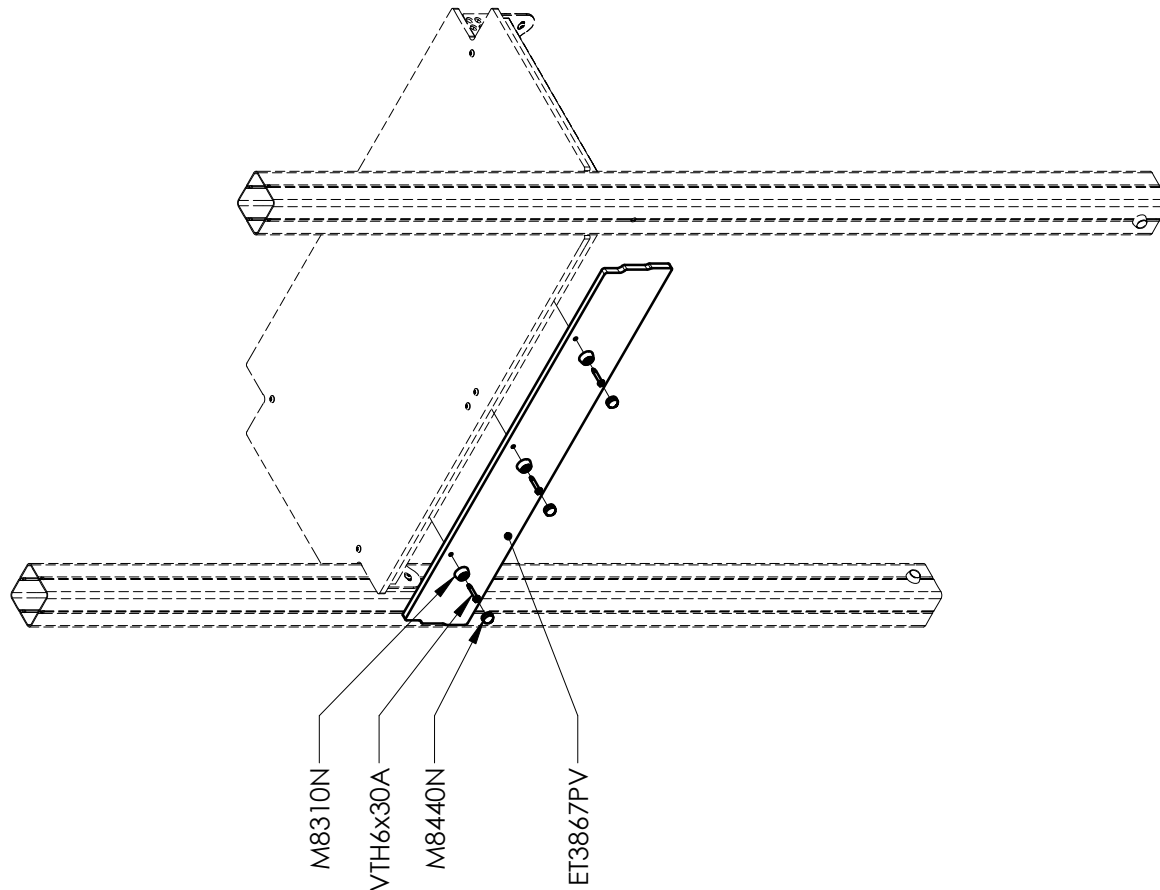
LG3813



FT3858



Réf	Qté
FT3858	1
LG3813	1
M8310N	4
M8440N	4
U3849A	2
VCBHCM8x30I	16
VEFM8	4



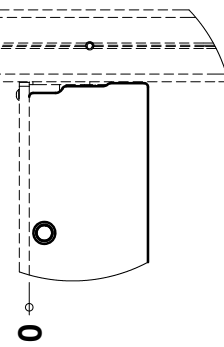
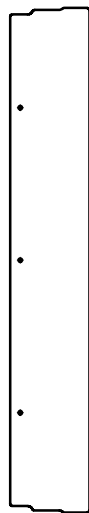
M8310N

VTH6x30A

M8440N

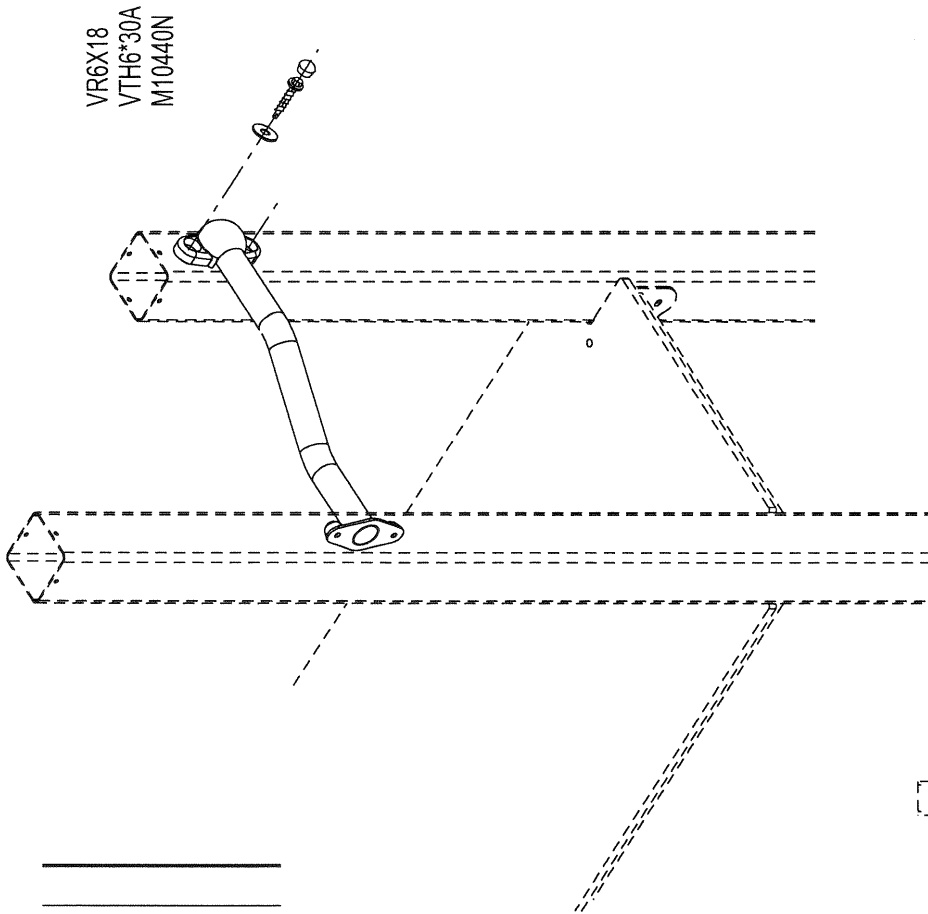
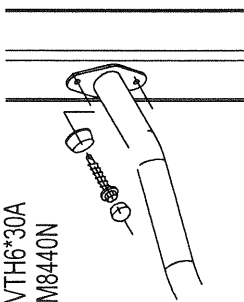
ET3867PV

1x
ET3867PV



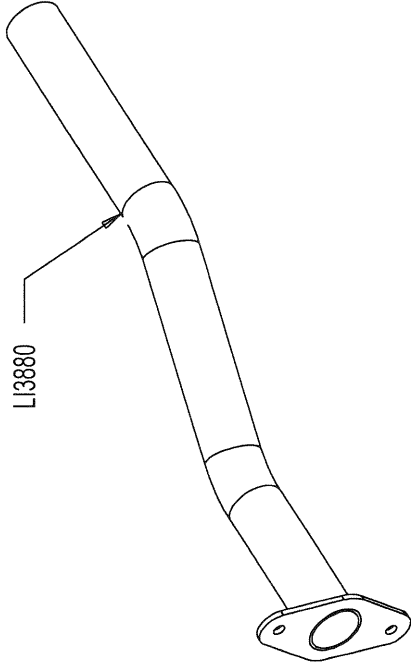
ET3867PV	1
M8310N	3
M8440N	3
VTH6x30A	3

M8310N
VTH6*30A
M8440N

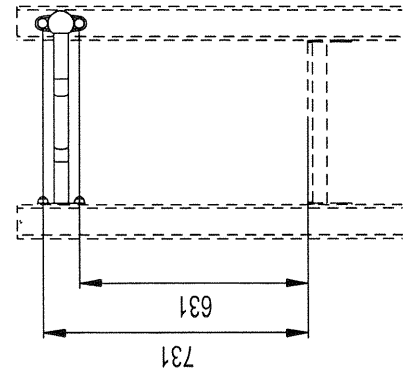


VR6X18
VTH6*30A
M10440N

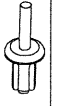
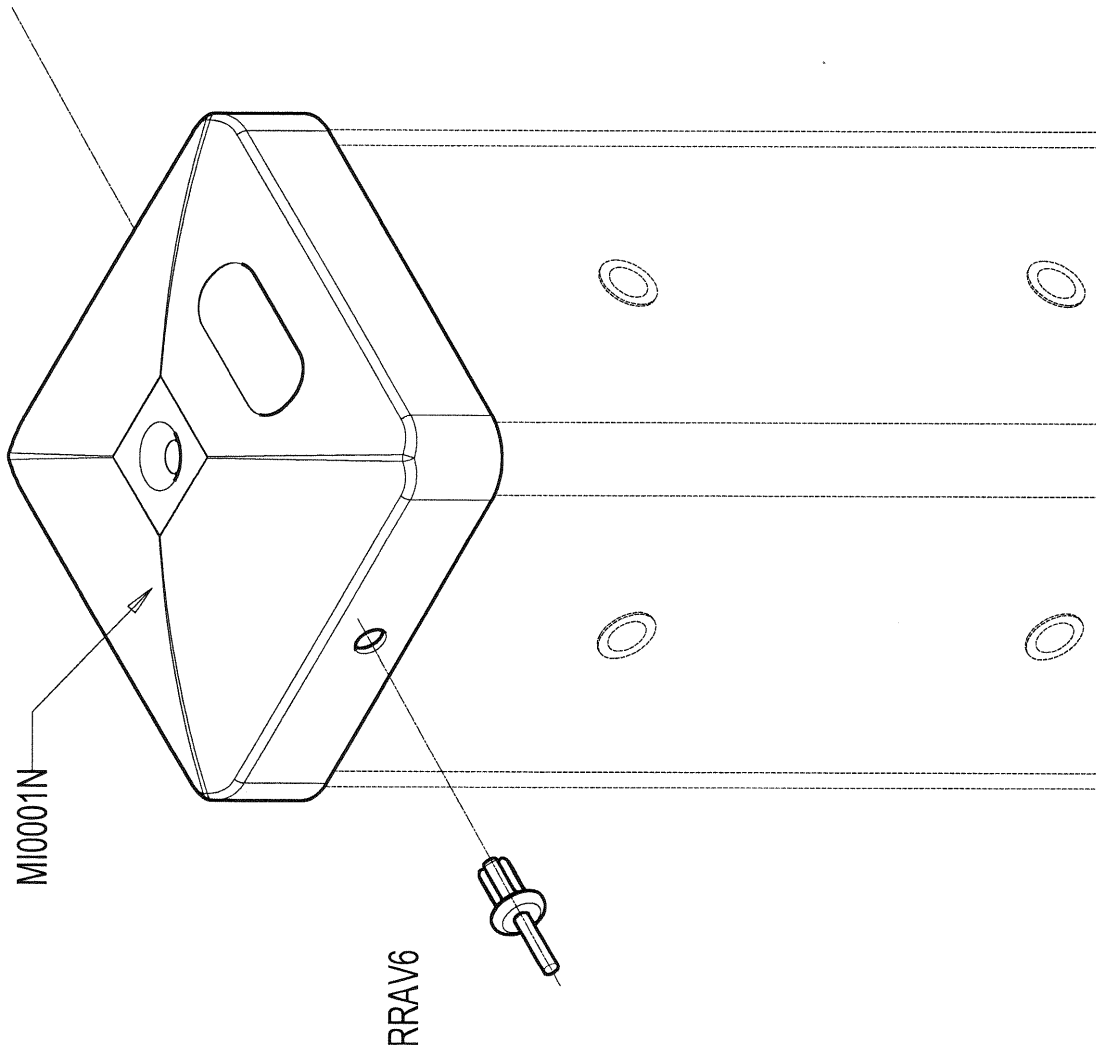
L13880



M126N



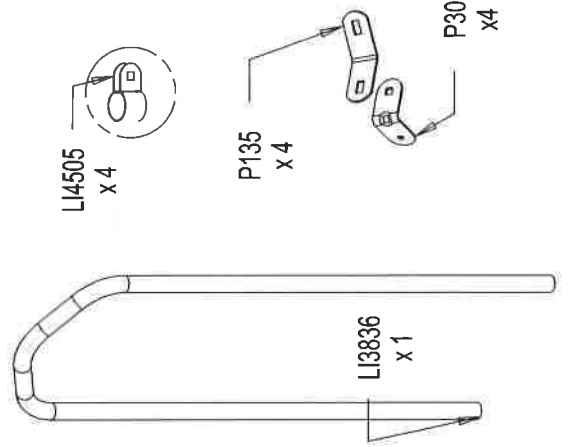
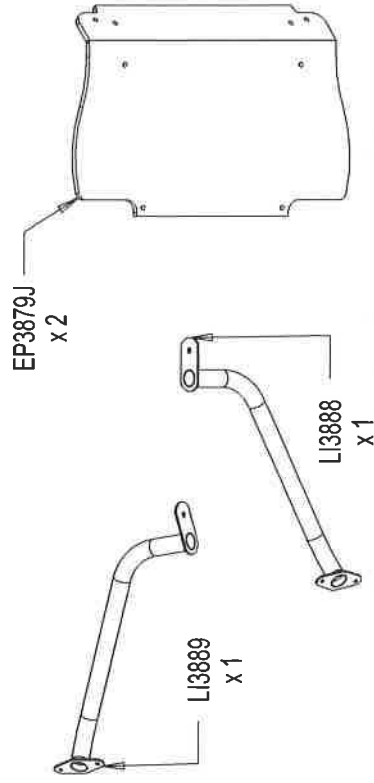
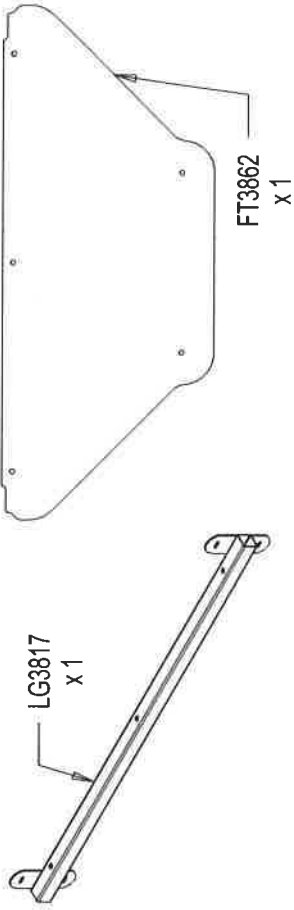
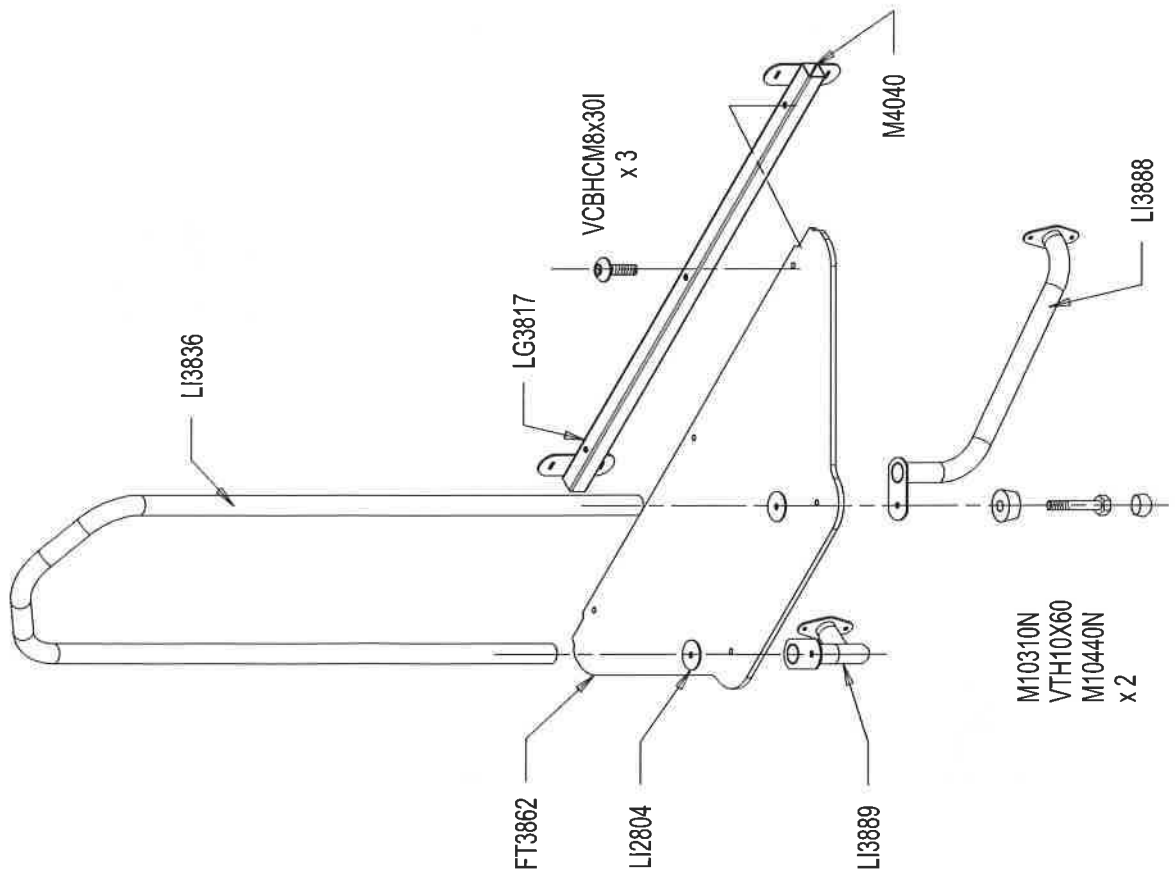
	VR6X18	2
	VTH6X30A	4
	M8440N	2
	M8310N	2
	M10440N	2



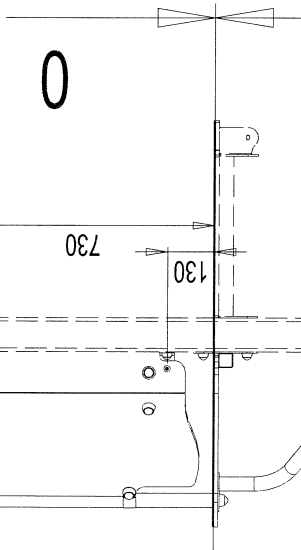
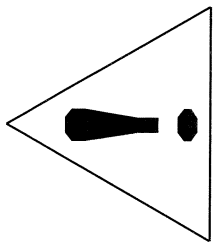
RRAV6

2

1



	VTH10X60	2
	LI2804	2
	M4040	2
	VCBHCM8X30I	3
	VTRCC10X30	8
	VCBHCM10X30I	8
	M8440N	12
	M8310N	12
	M10440N	14
	M10310N	14
	VEFM10	8
	VTH6X30A	12



2

M10310N
VEFM10
M10440N

EP3879J

P30

P135

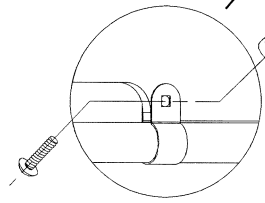
VTRCC10X30

VCBHC10X30I

M10310N
VEFM10
M10440N

VCBHC10X30I

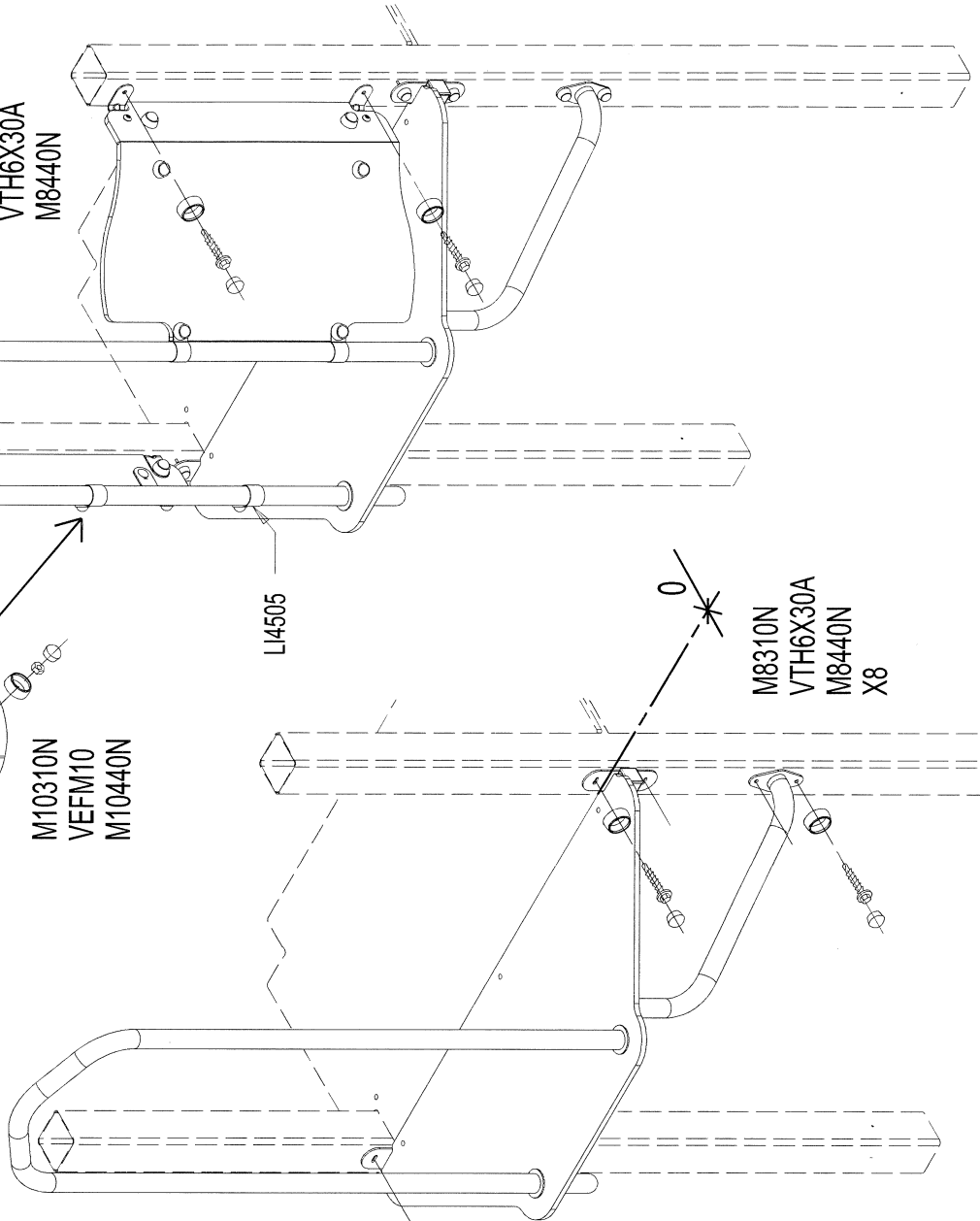
4



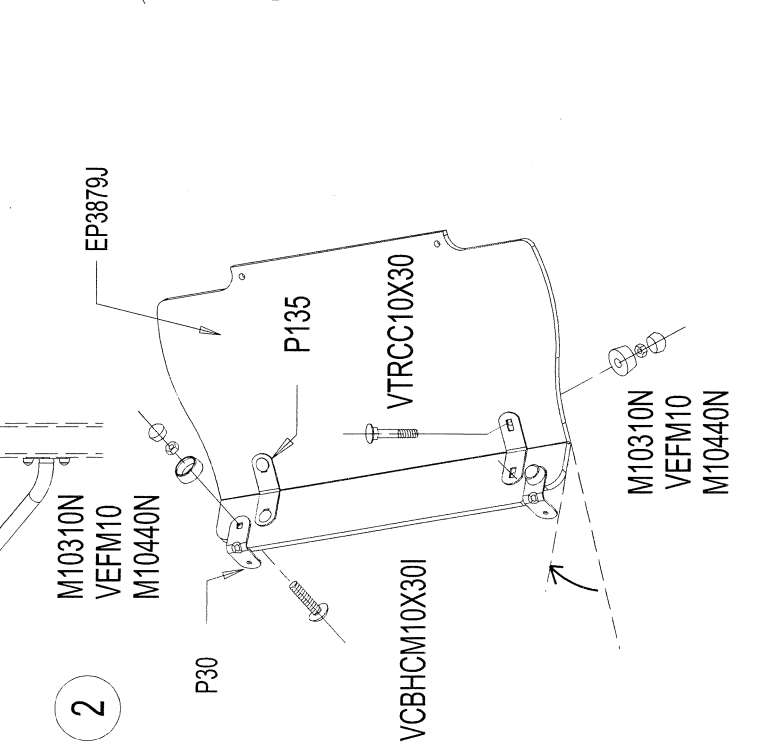
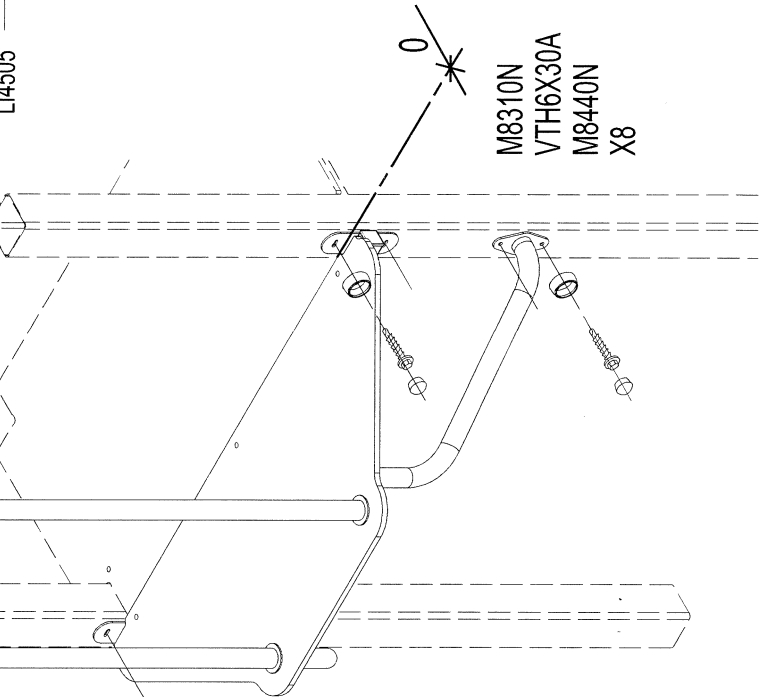
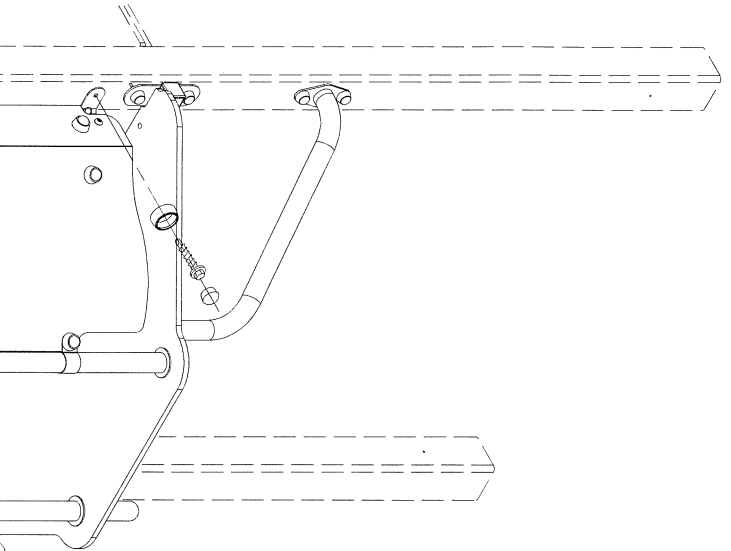
M10310N
VEFM10
M10440N

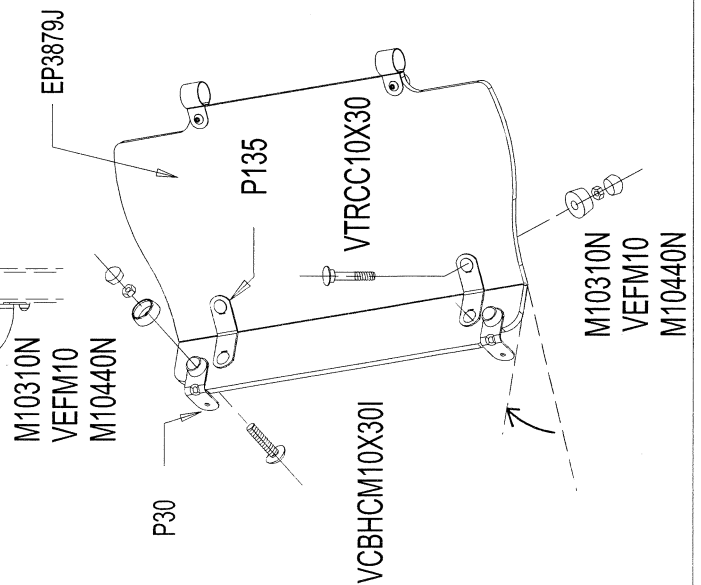
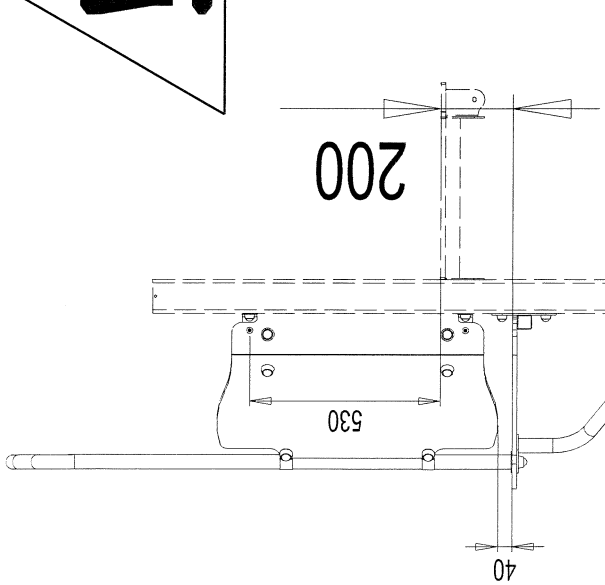
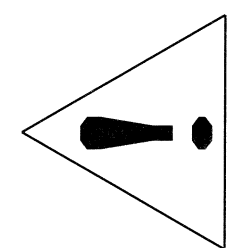
LI4505

3

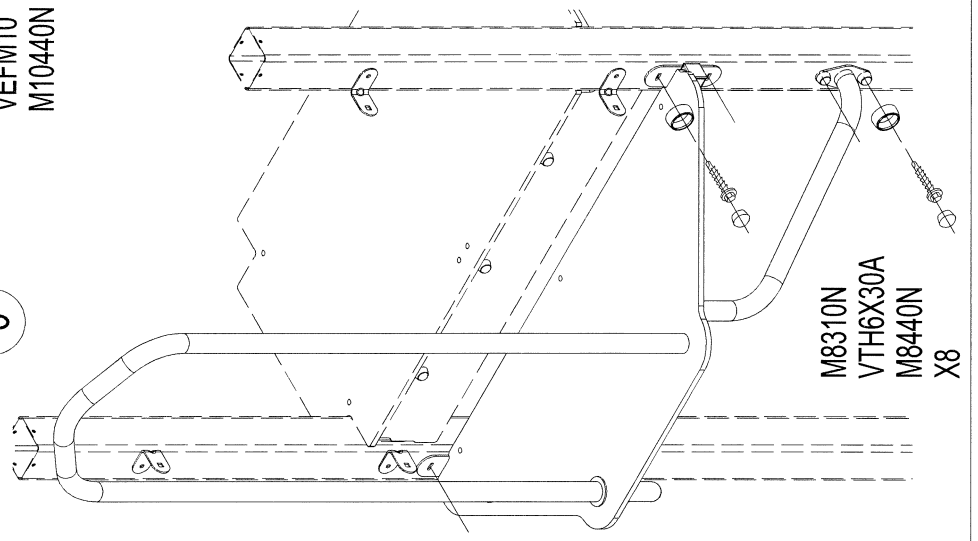


M8310N
VTH6X30A
M8440N
X8

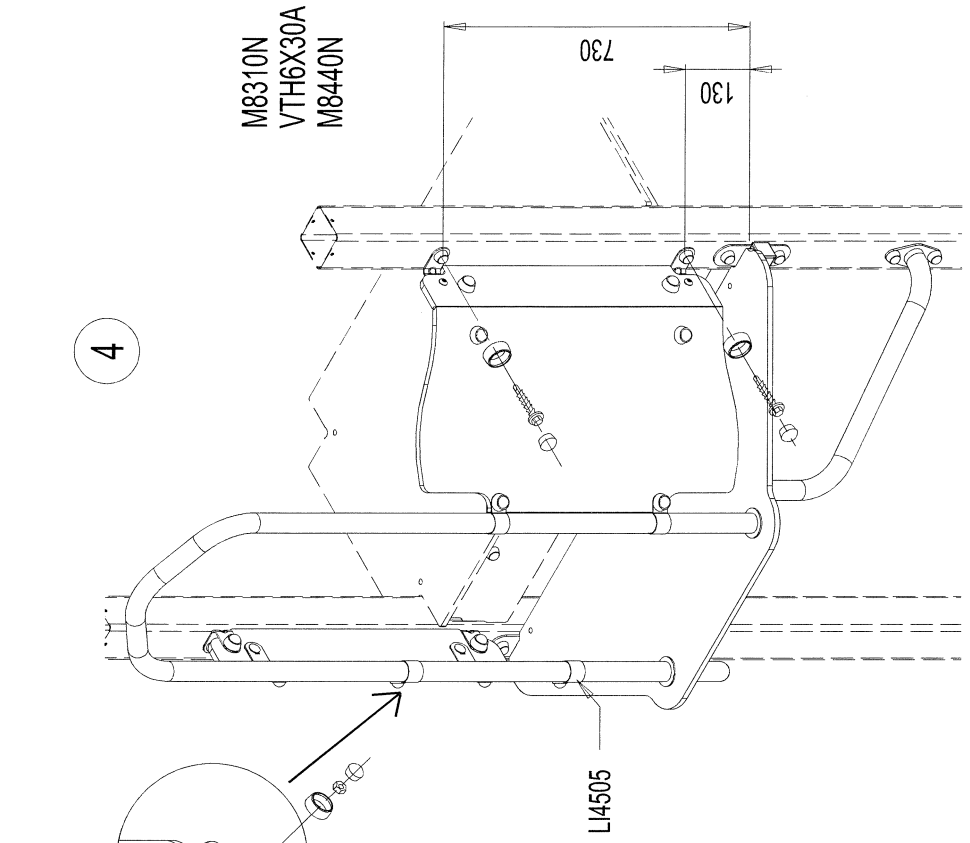




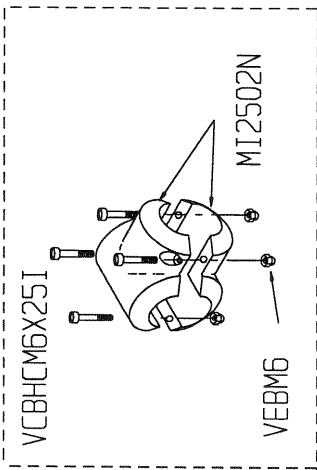
3



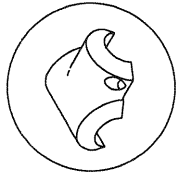
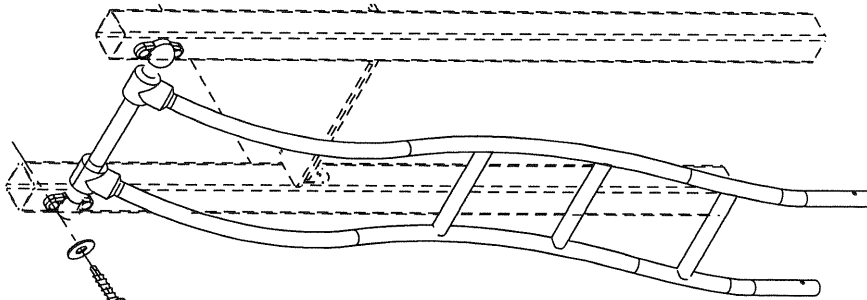
4



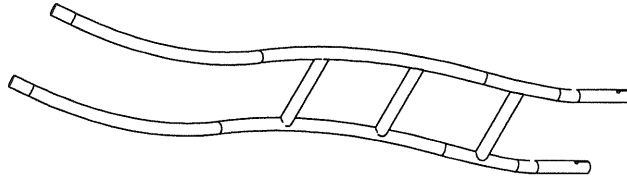
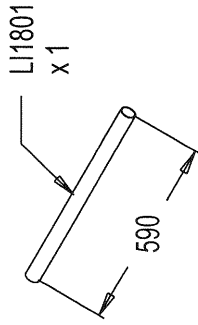
M8310N
VTH6X30A
M8440N



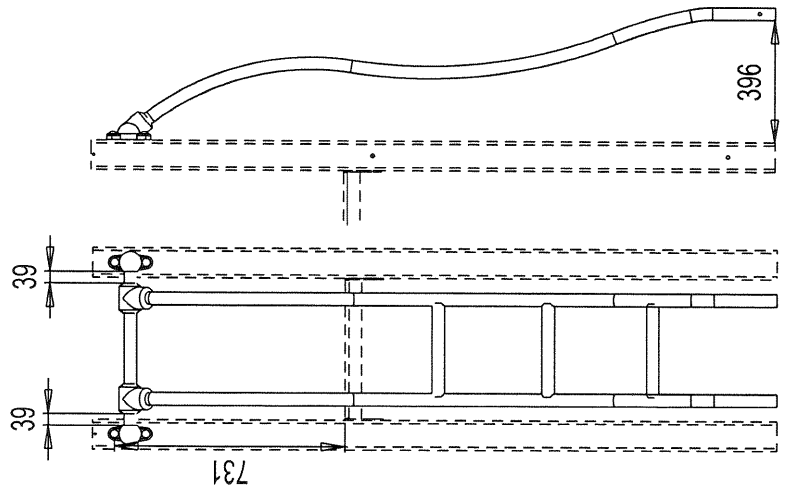
VR6*18
VTH6*30A
M10440N



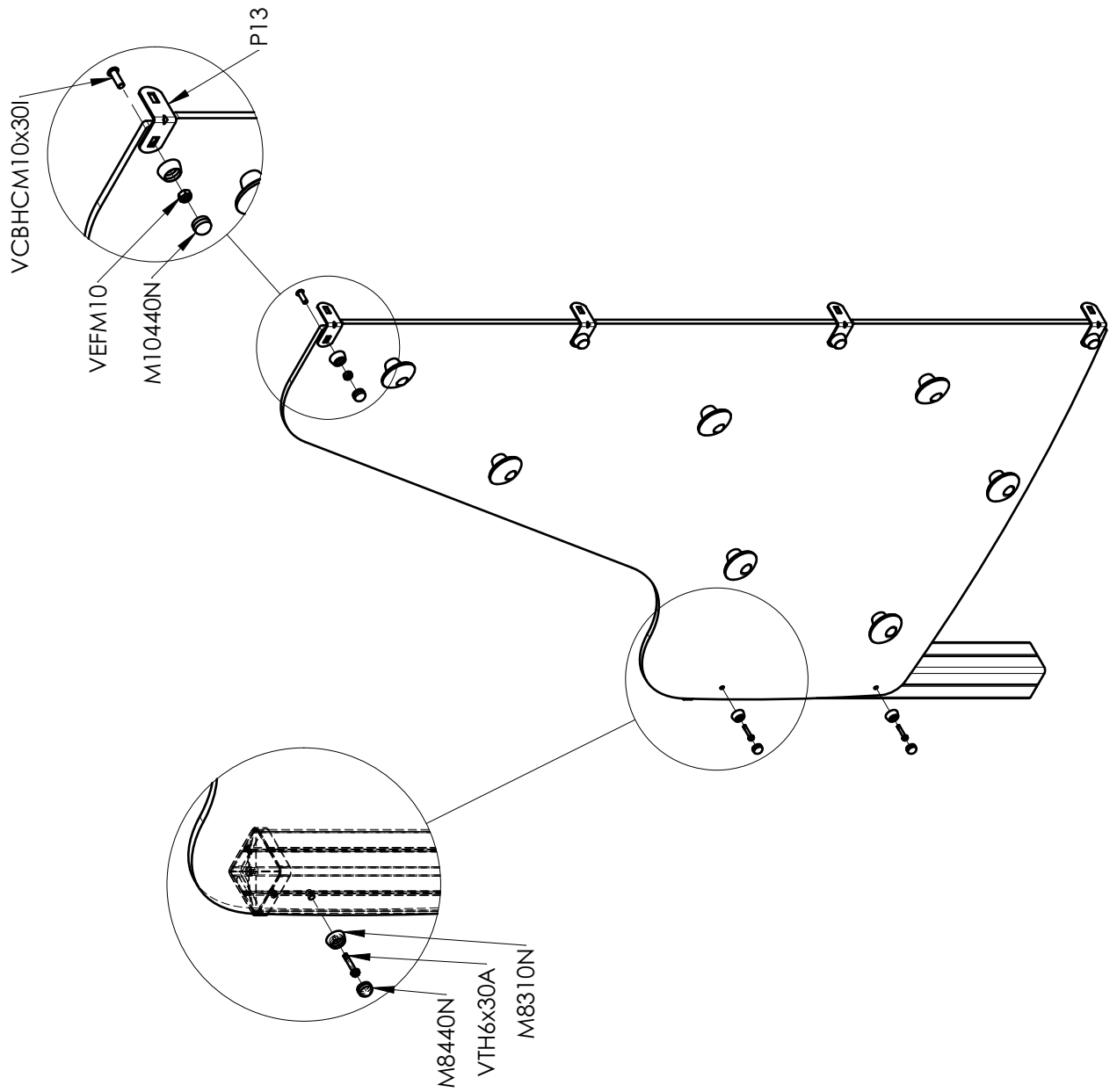
MI2502N x 4



LI33130 x 1



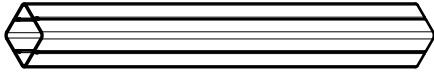
	VR6X18	4
	MI26N	2
	VTH6X30A	4
	VCBHCM6*25I	8
	VEBM6	8
	M10440N	4



U3853A



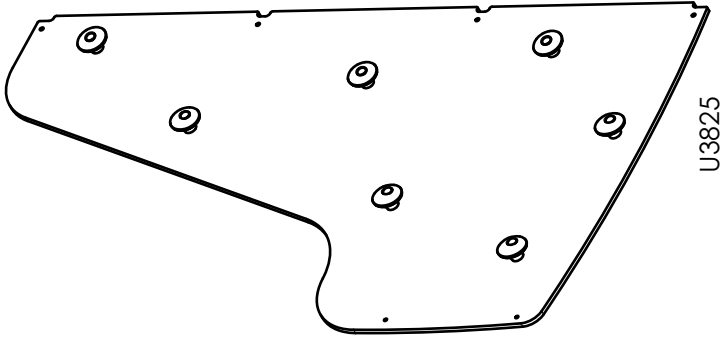
LGP3835A



MI0001N

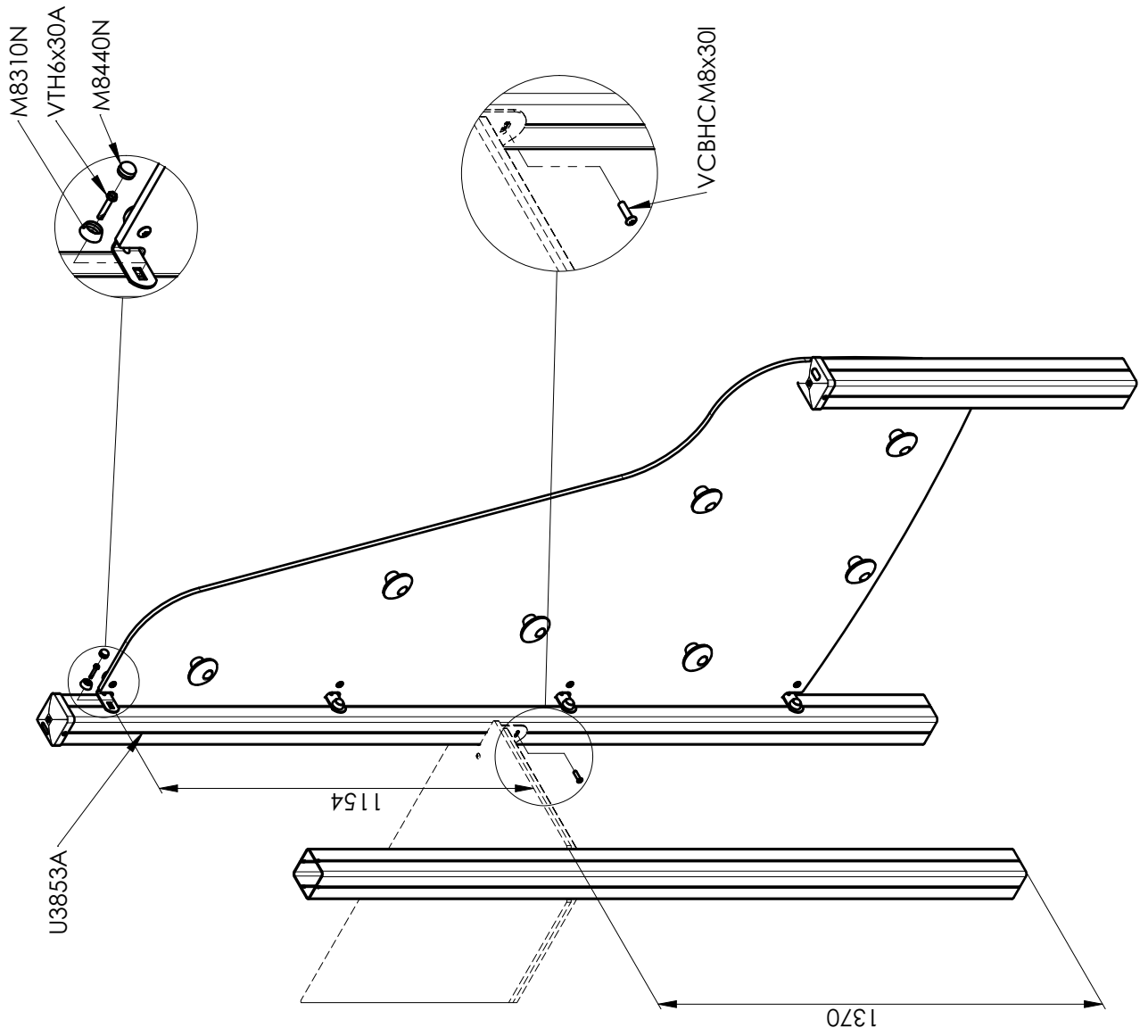


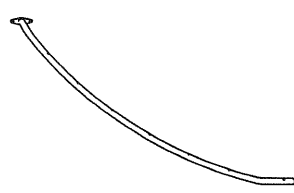
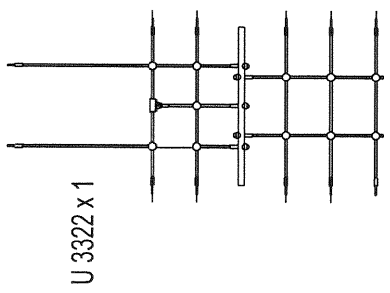
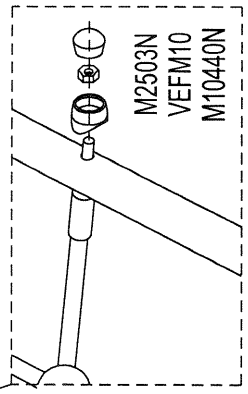
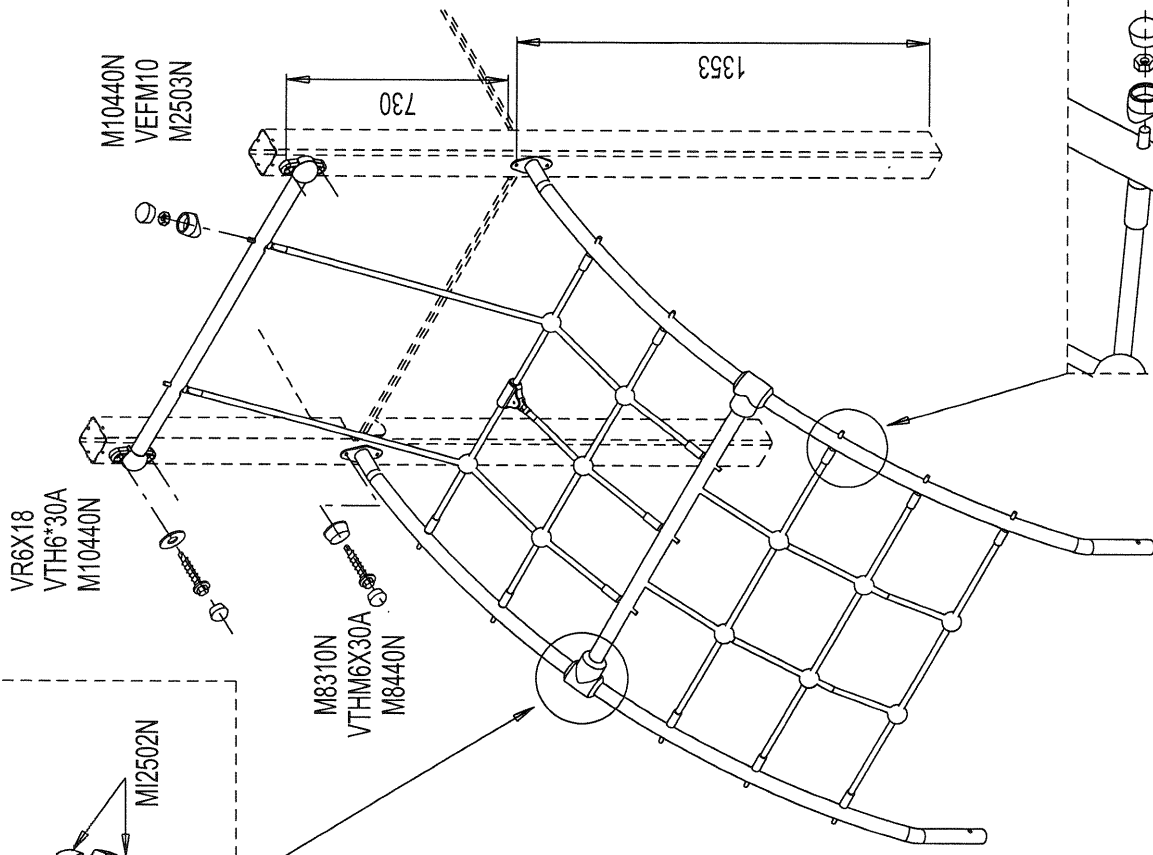
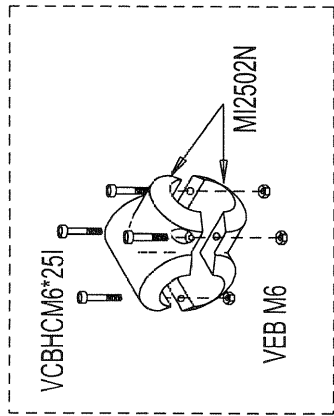
P13



U3825

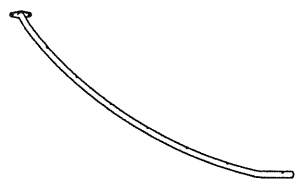
Réf	Qté
LGP3835A	1
M8310N	6
M8440N	6
M10310N	4
M10440N	4
MI0001N	2
P13	4
RRAV6	4
U3825	1
U3853A	1
VCBHCM8x30I	1
VCBHCM10x30I	4
VEFM10	4
VTH6x30A	6



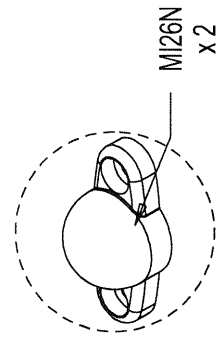
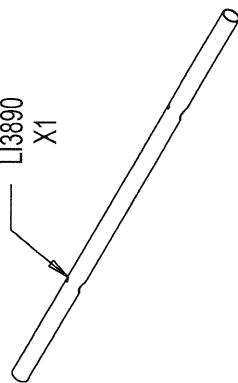


LI 33138 x 1

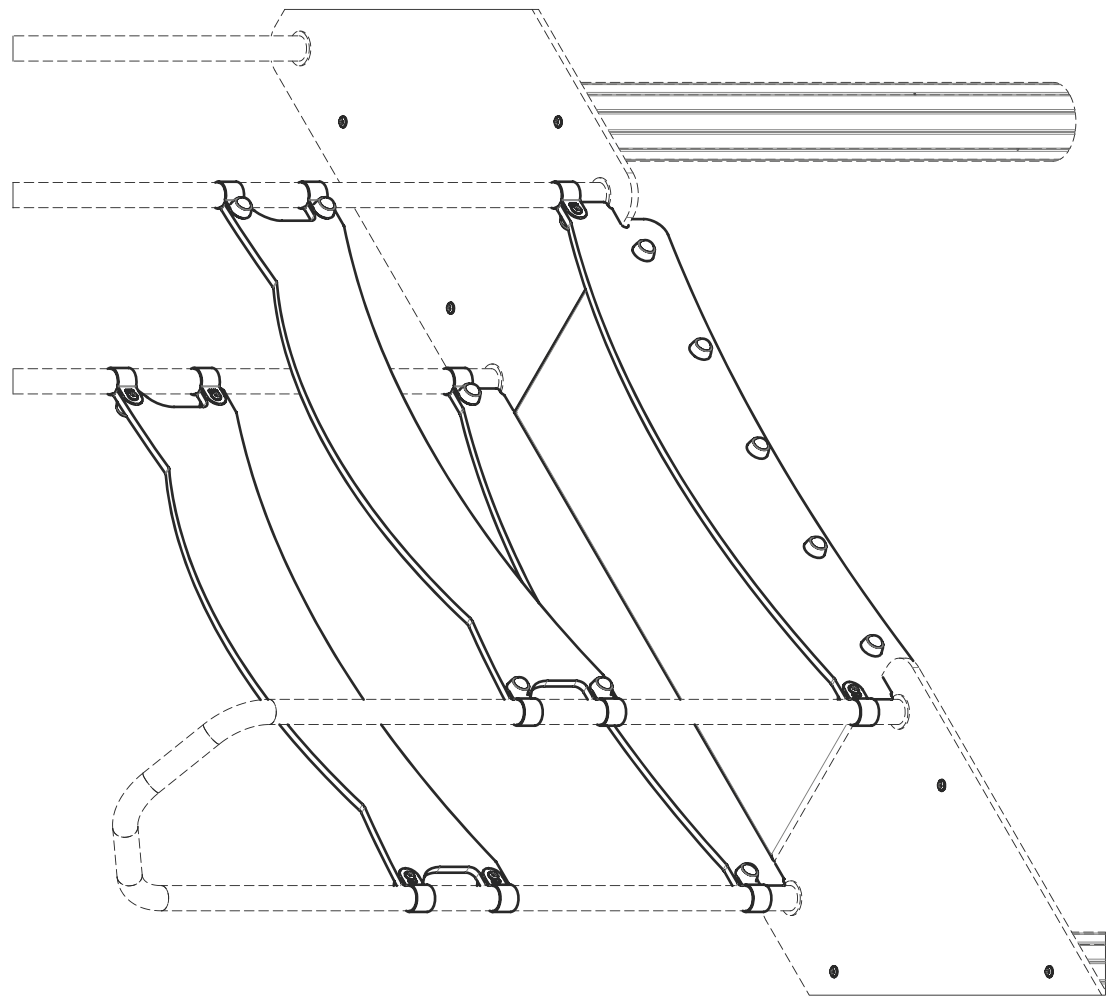
LI 33139 x 1



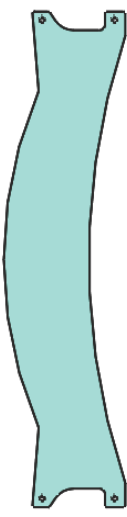
LI3890
X1



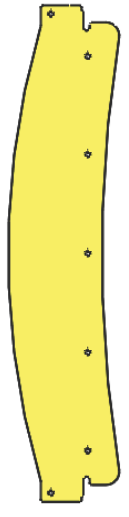
	M8440N	4
	VR6X18	4
	VCBHC6X25I	8
	VEBM6	8
	MI2503N	12
	M10440N	16
	M8310N	4
	VEFM10	12
	VTH6X30A	8



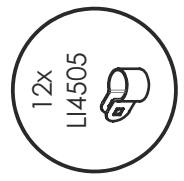
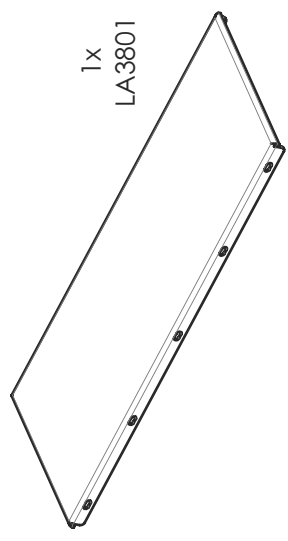
2x
ET3807L



2x
ET3853PV

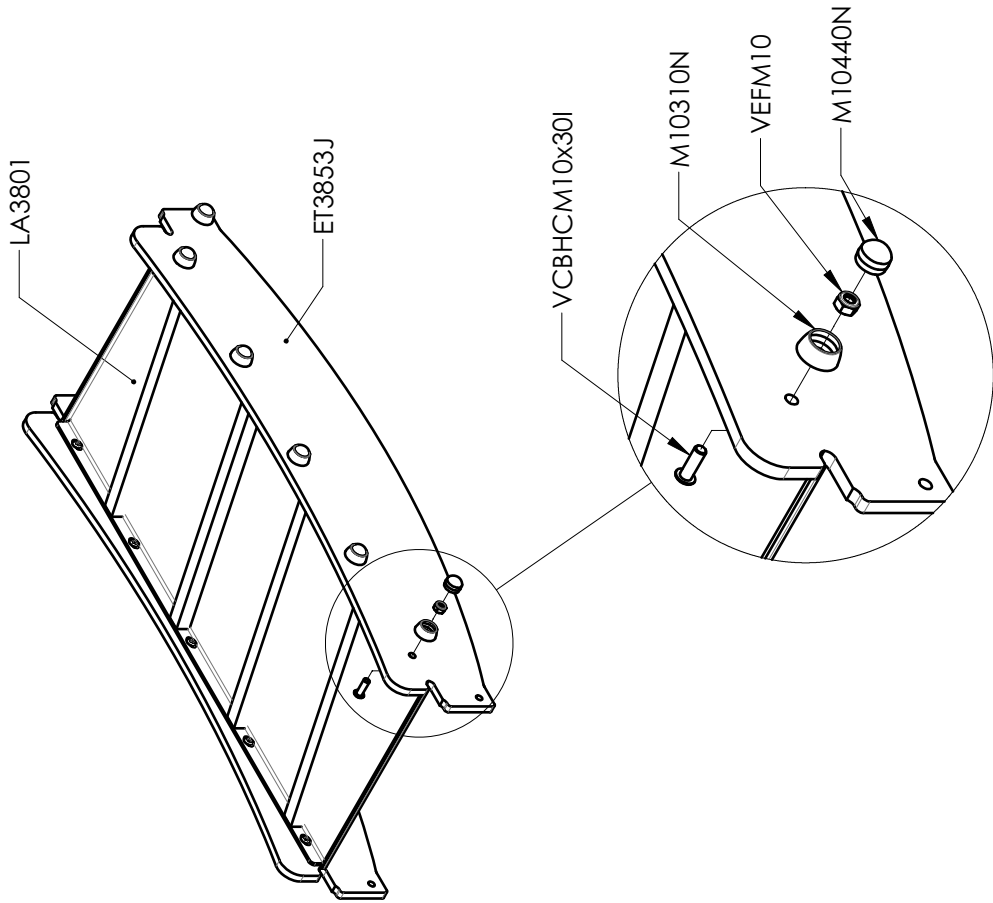


1x
LA3801

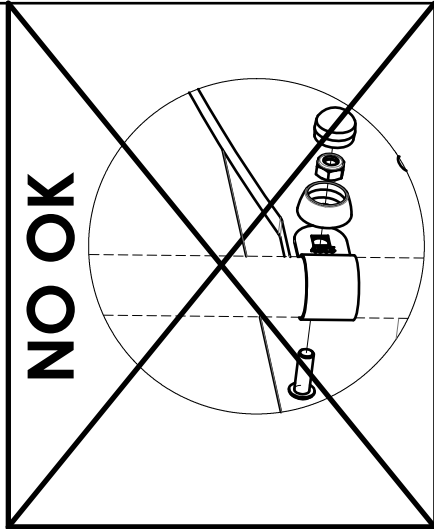
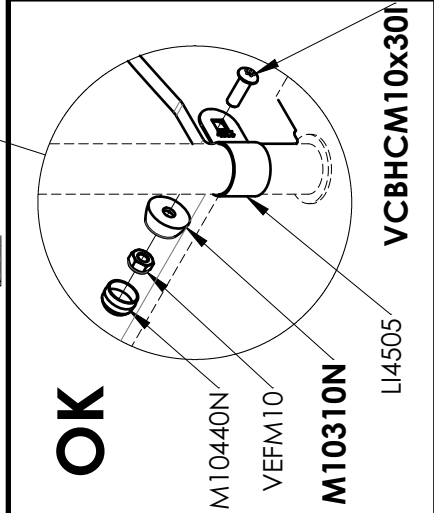
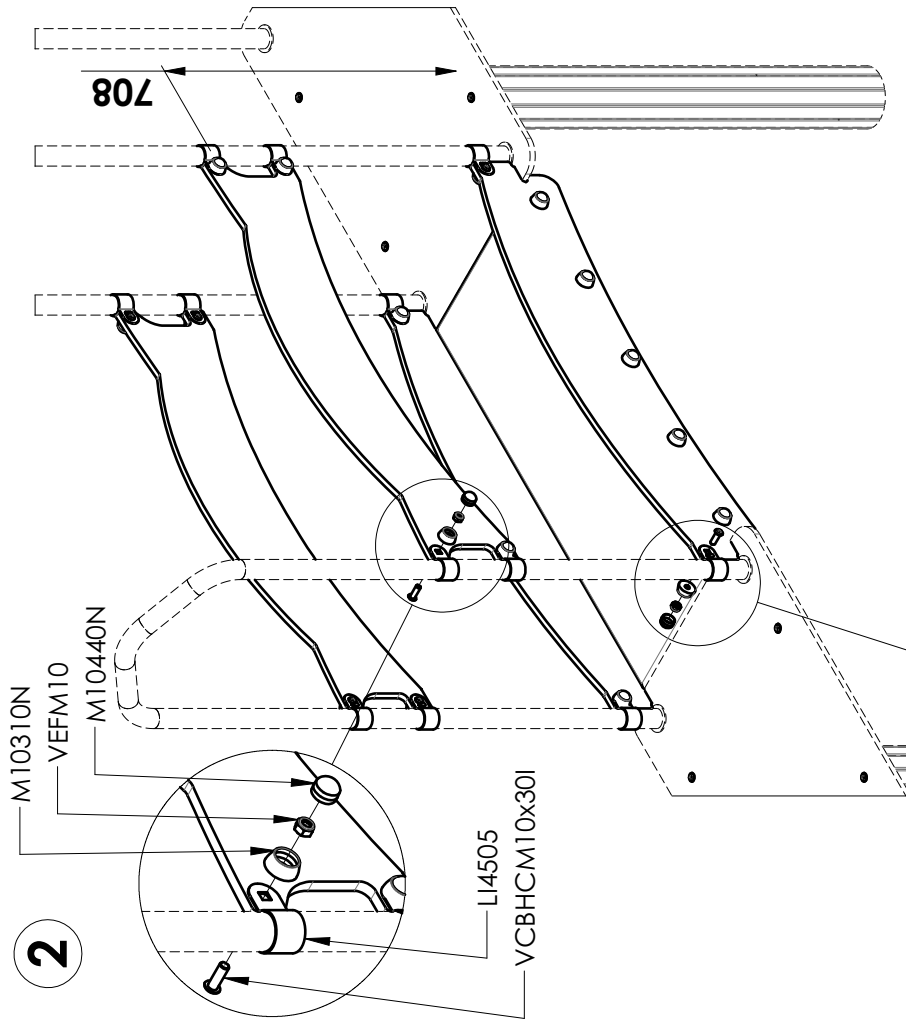


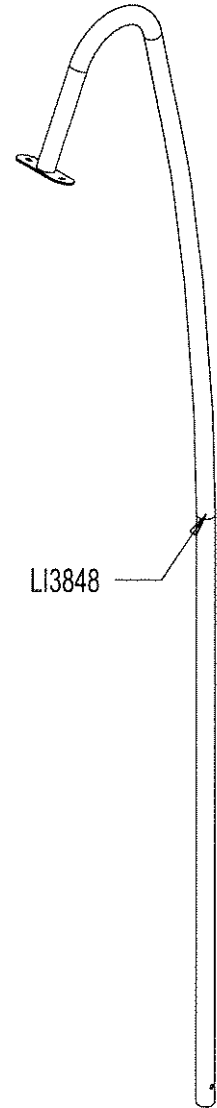
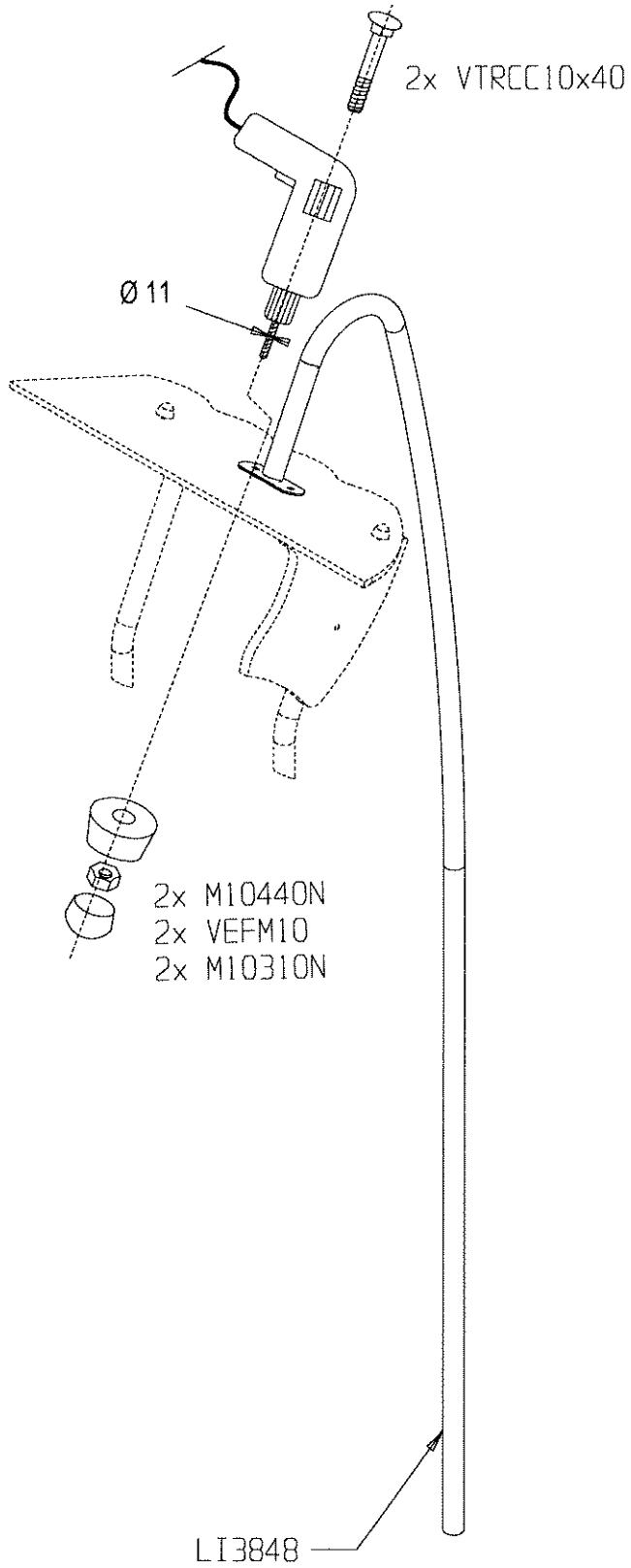
ET3807L	2
ET3853PV	2
LA3801	1
LI4505	12
M10310N	22
M10440N	22
VCBHC M10x30I	22
VEFM10	22

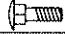



1

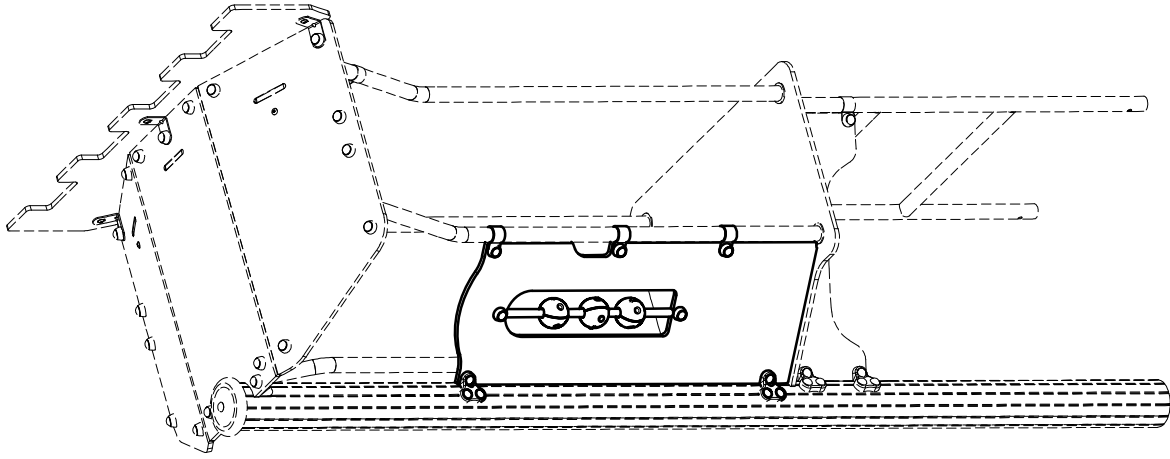


2

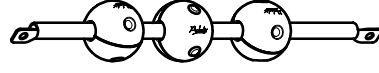
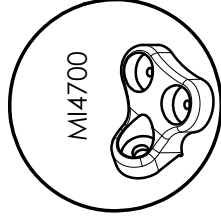
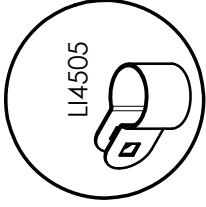
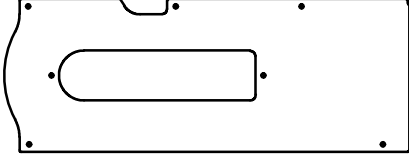




	VTRCC10x40	2
	VEFM10	2
	M10310N	2
	M10440N	2

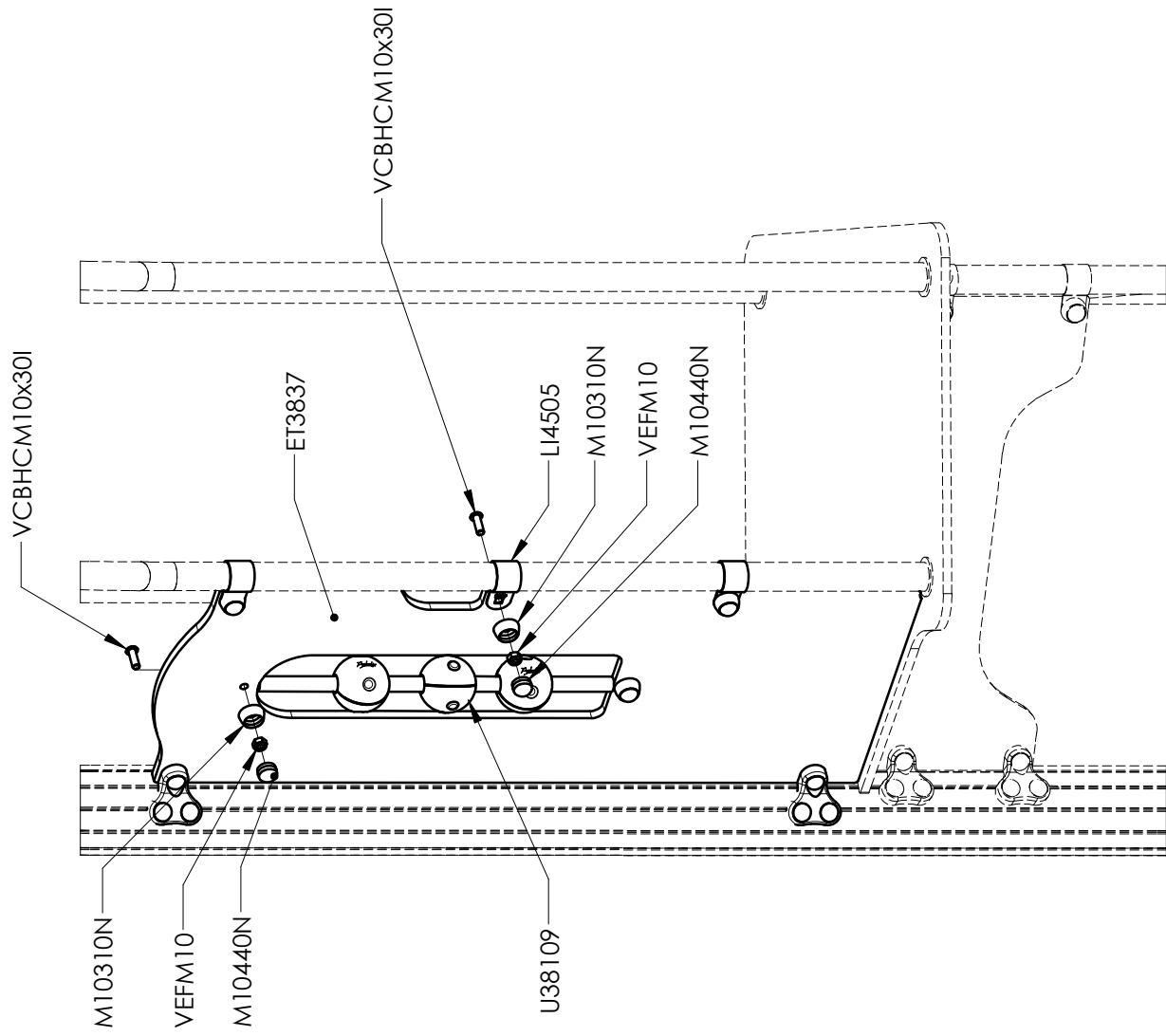


ET3837



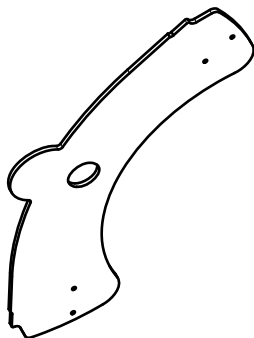
U38109

Réf	Qté
ET3837L	1
LI4505	3
M10310N	5
M10440N	11
MI4700	2
U38109	1
VCBHC M10x30I	7
VEFM10	7
VTH6x30A	4



LGP3806A

1x
ET3831



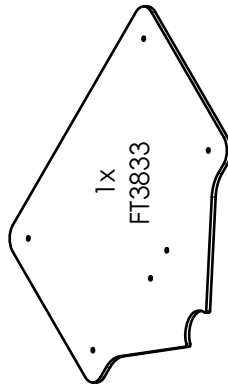
1x
LP3800N



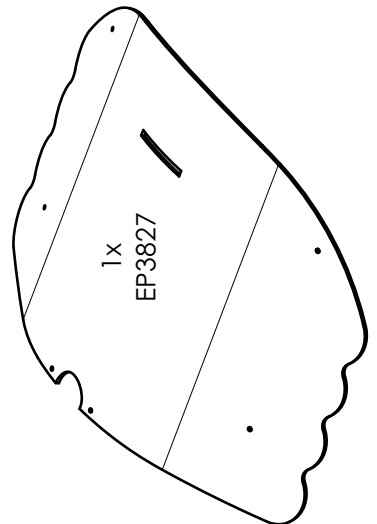
2x
ET3832



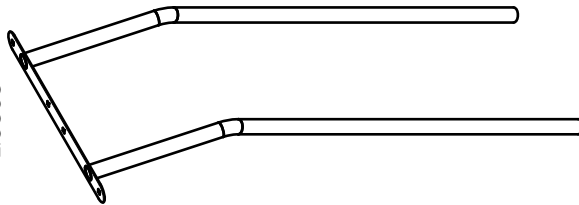
1x
FT3833



1x
EP3827



2x
LI3858



1x
LG4412



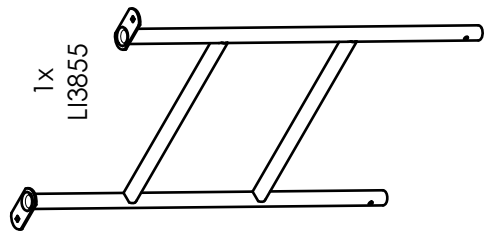
1x
MI025N



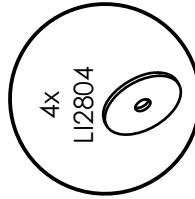
4x
MI4700



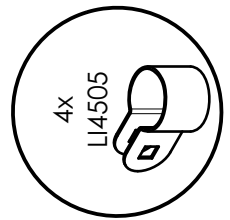
1x
LI3855



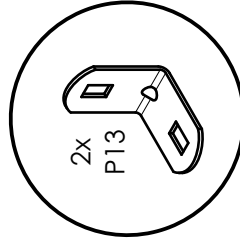
4x
LI2804



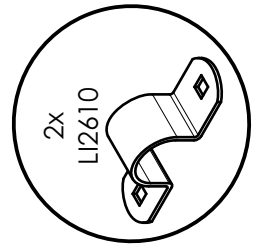
4x
LI4505



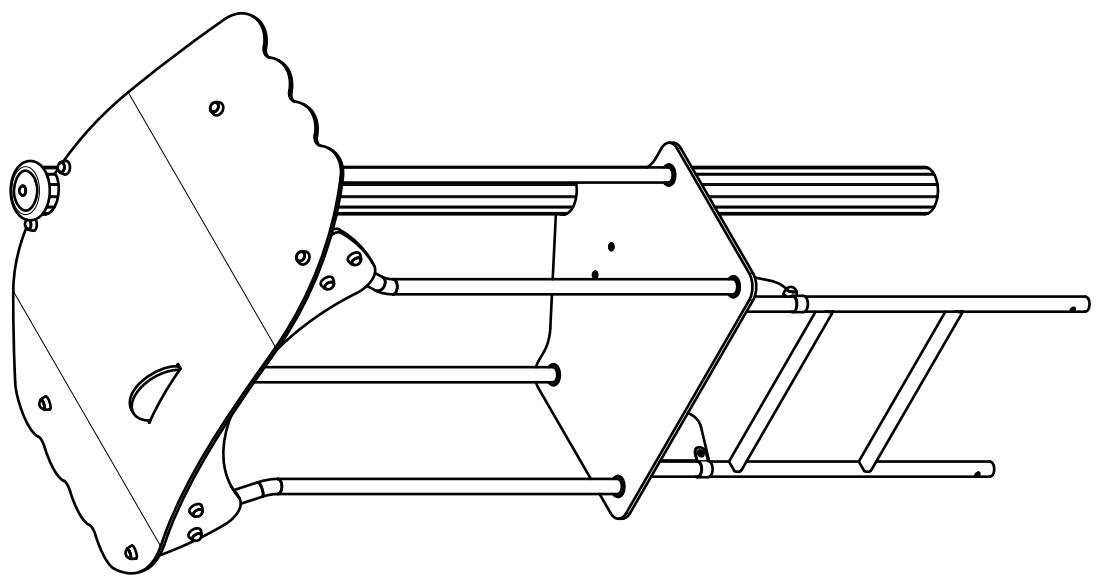
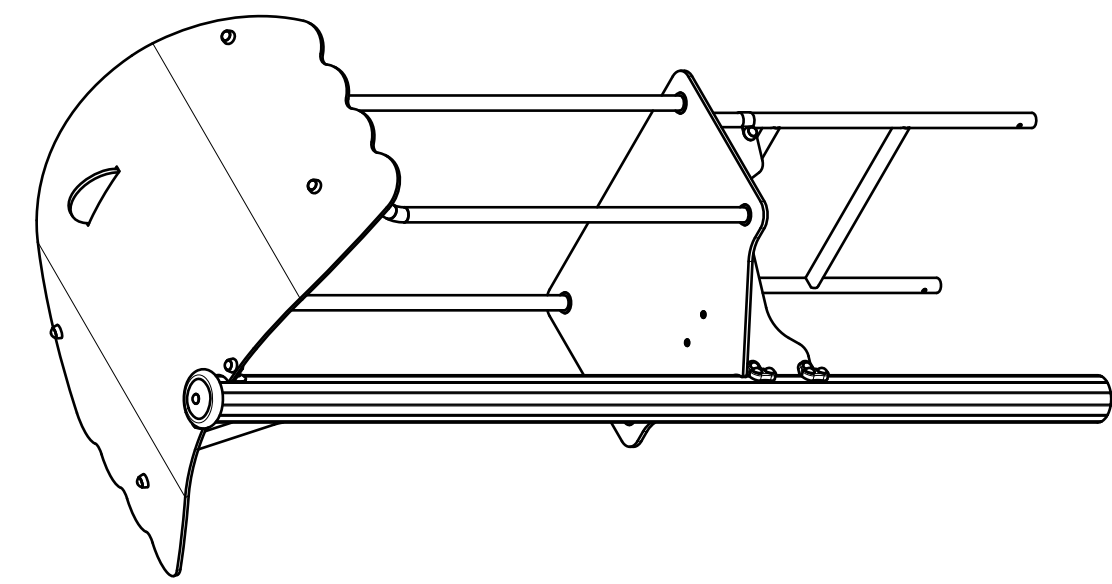
2x
P13

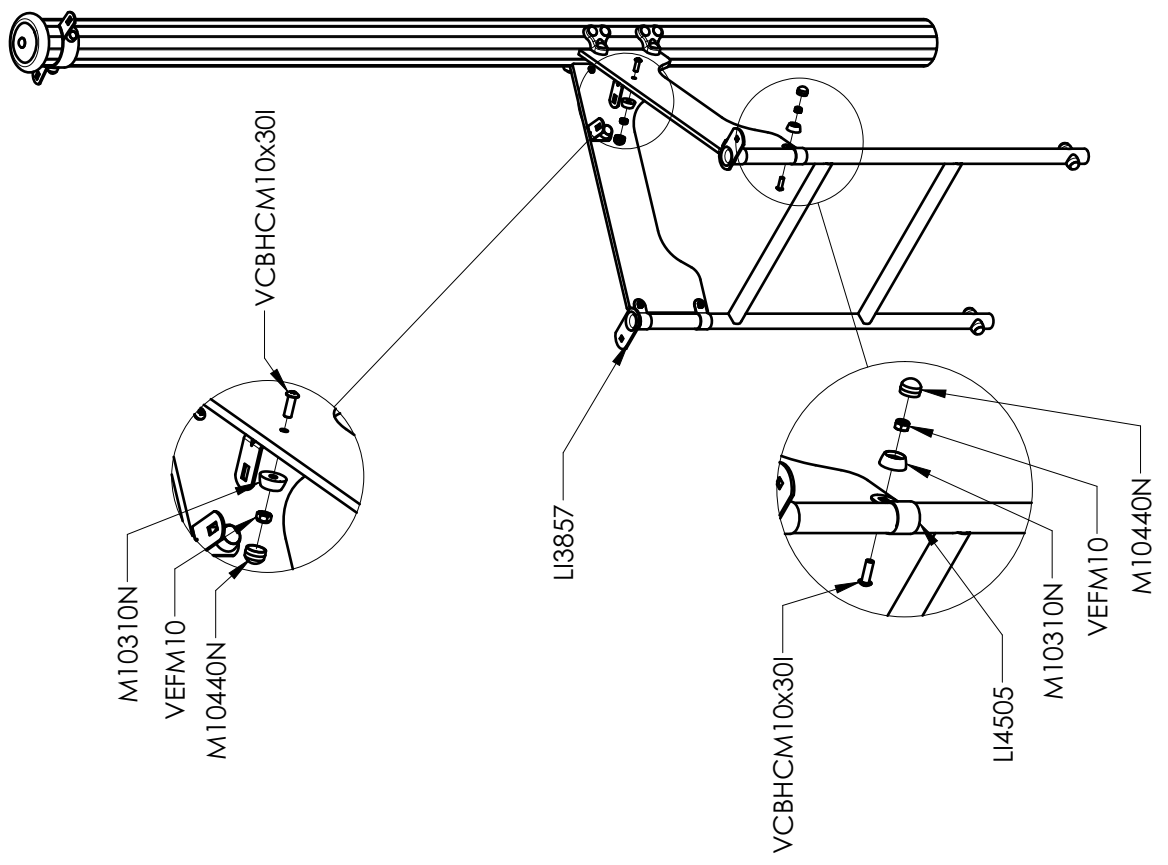
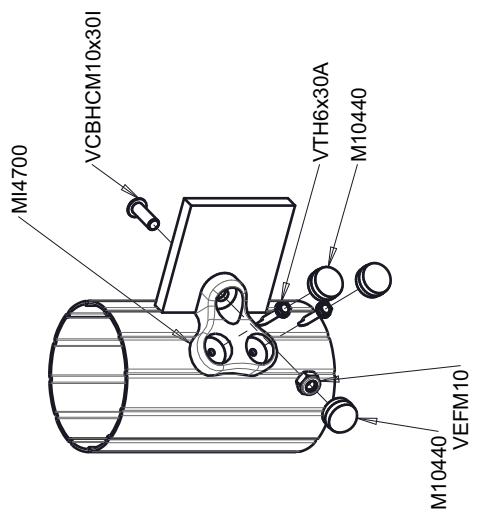
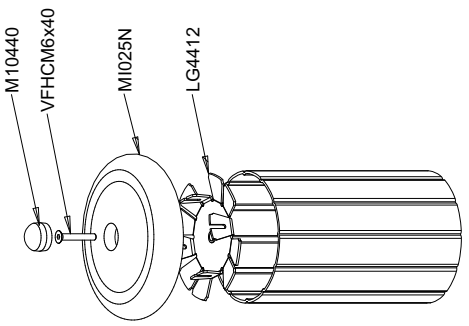
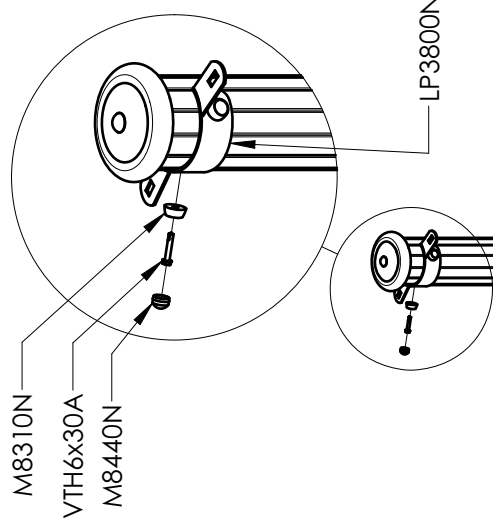


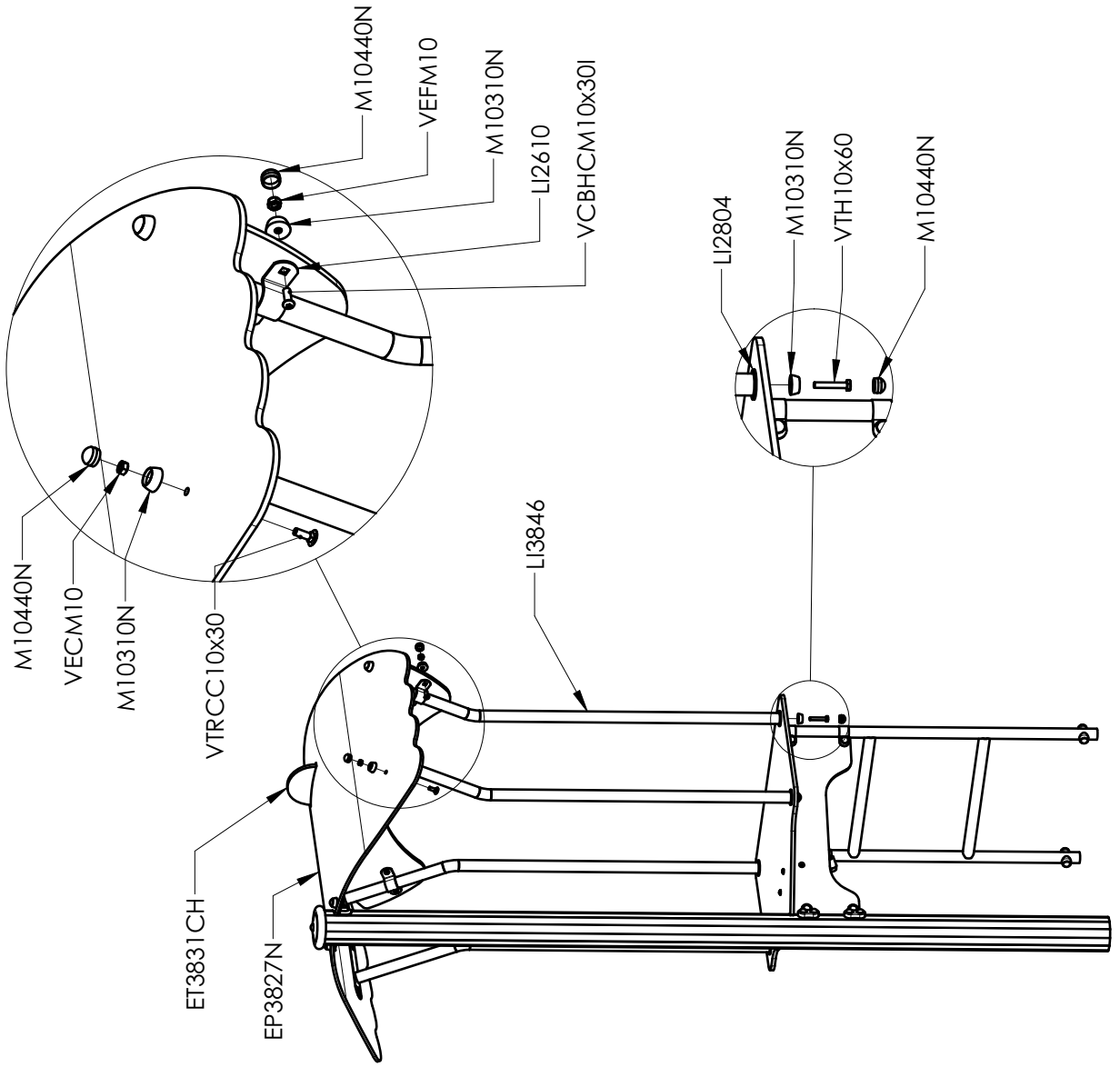
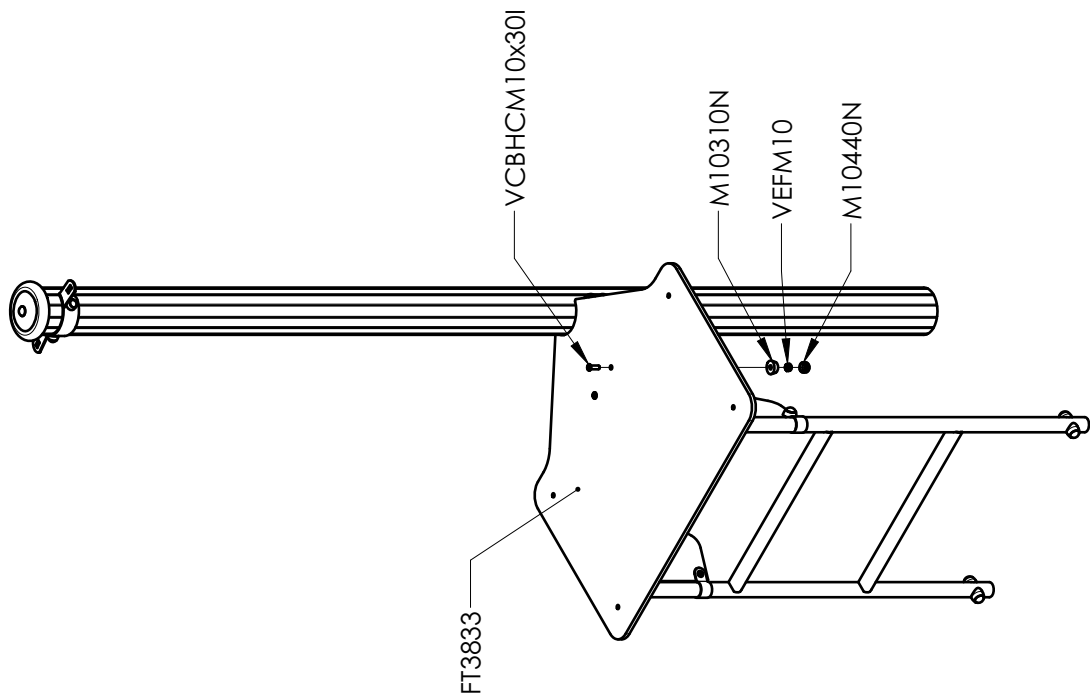
2x
LI2610

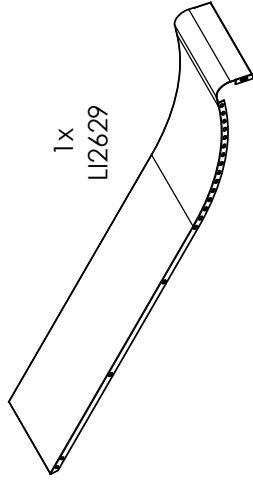
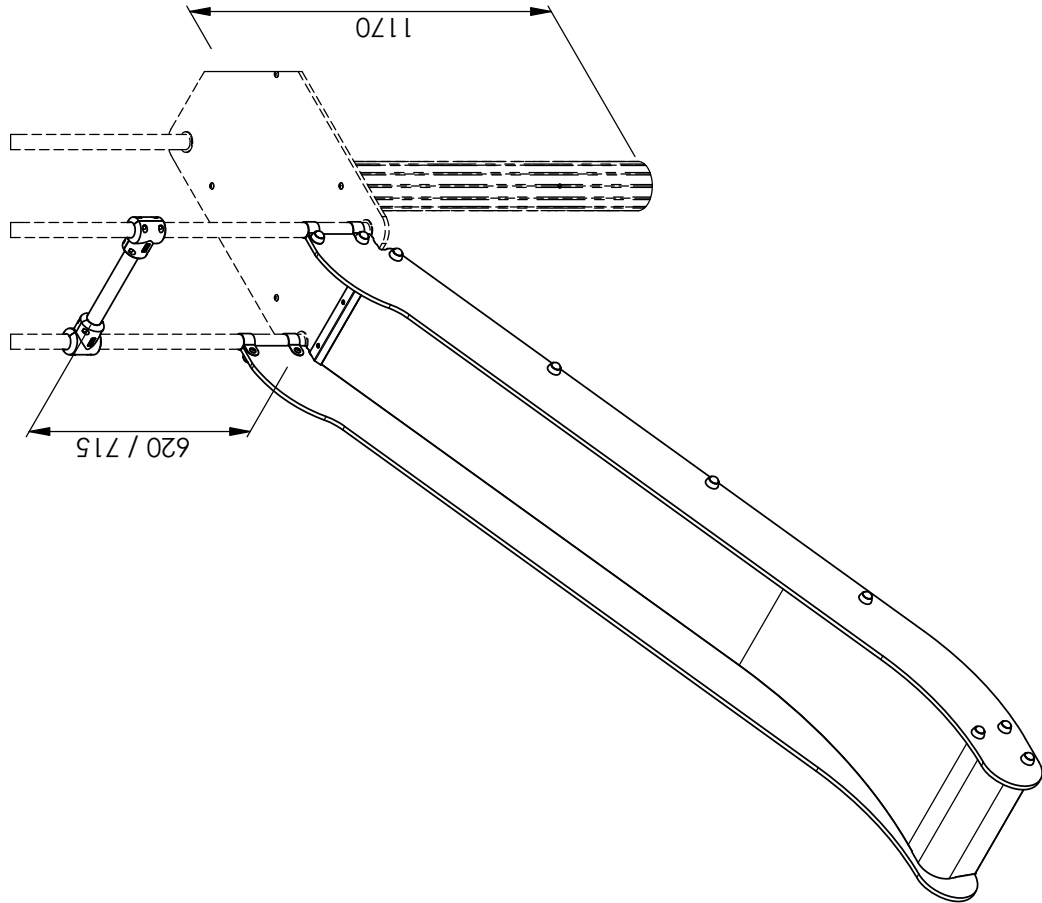


REF	QTE
EP3827N	1
ET3831CH	1
ET3832PV	2
FT3833	1
LG4412	1
LGP3806A	1
LI2610	2
LI2804	4
LI3855	1
LI3858	2
LI4505	4
LP3800N	1
M8310N	2
M8440N	2
M10310N	22
M10440N	35
MI025N	1
MI4700	4
P13	2
VCBHC10x30I	16
VECM10	6
VEFM10	16
VFHCM6x40	1
VTH6x30A	10
VTH10x60	4
VTRCC10x30	6

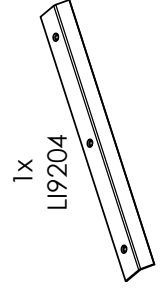
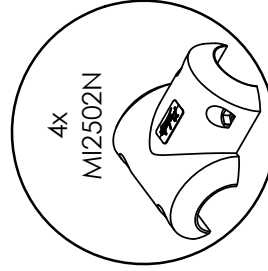
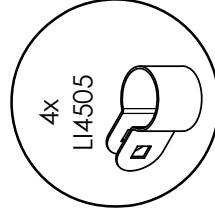
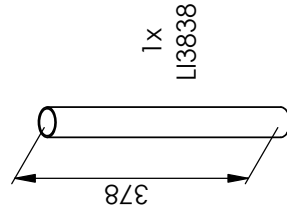
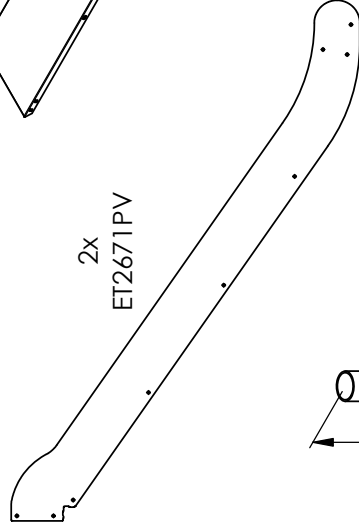






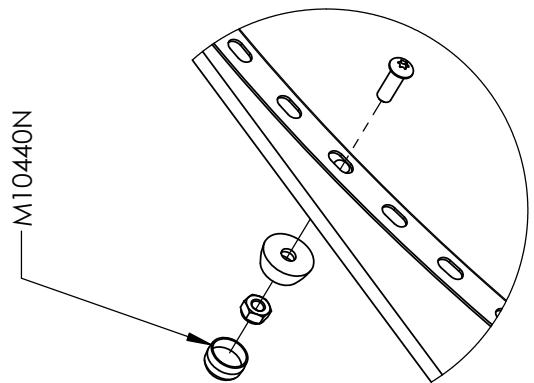
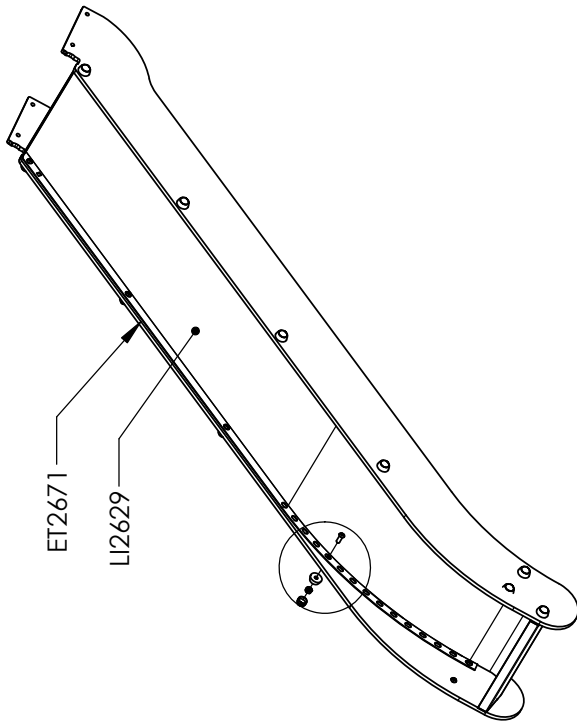


2x
ET2671PV

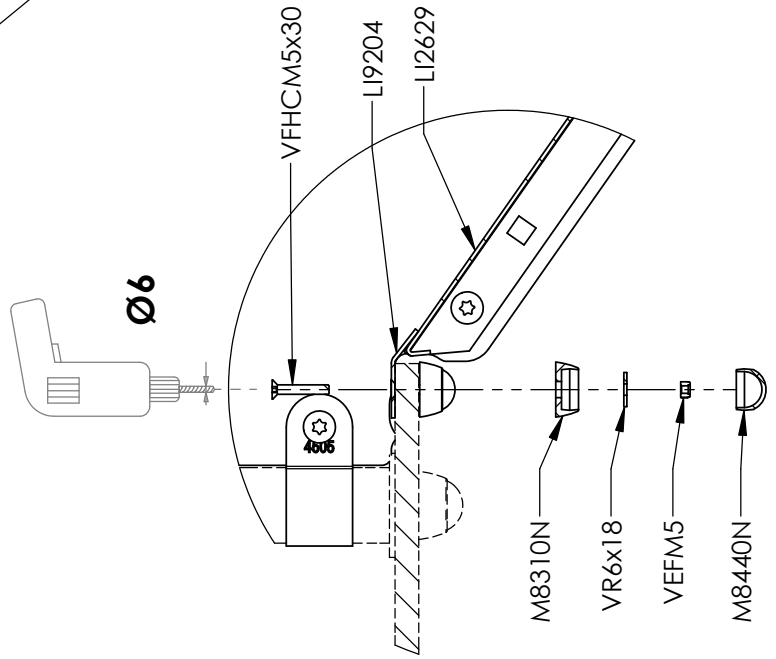
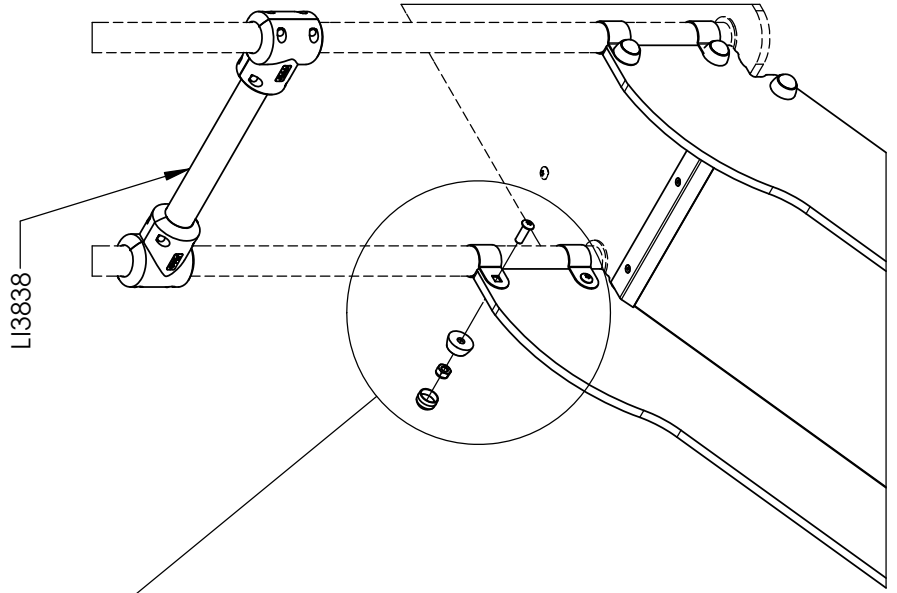
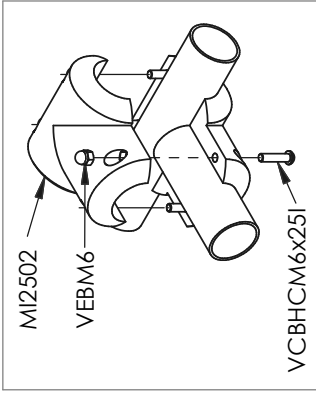
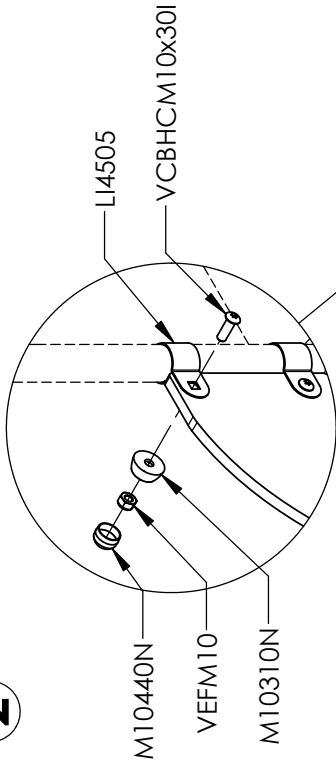


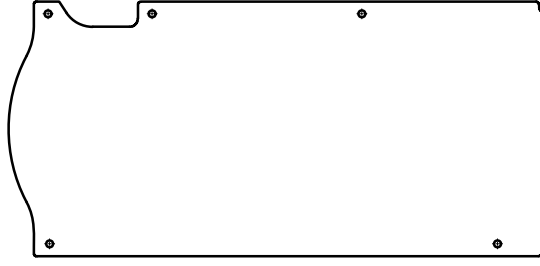
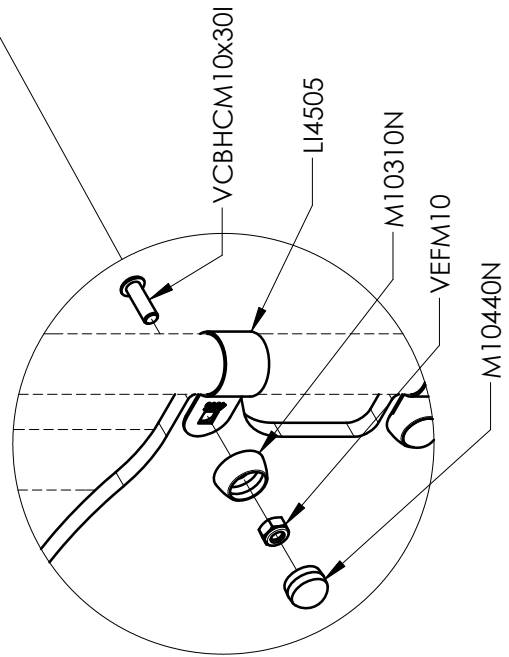
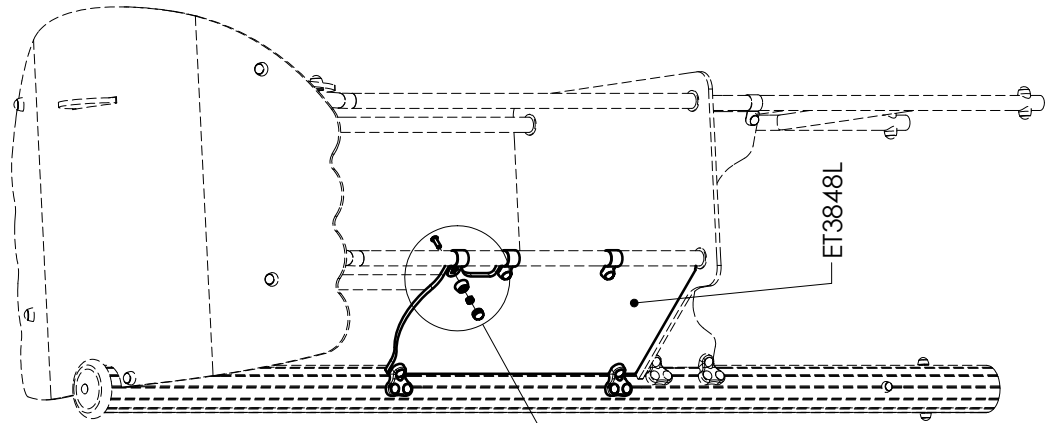
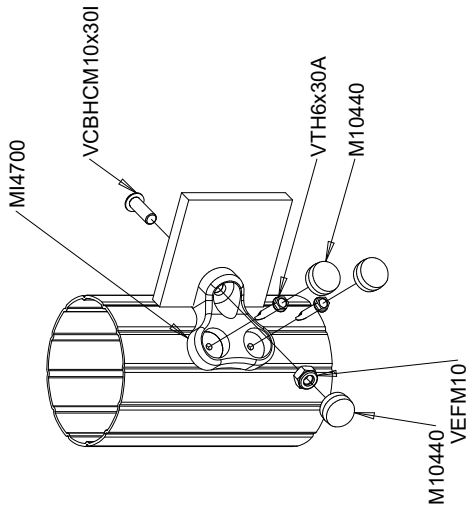
ET2671PV	2
LI2629	1
LI3838	1
LI4505	4
LI9204	1
M8310N	3
M8440N	3
M10310N	17
M10440N	17
MI2502N	4
VCBHC6x25I	8
VCBHC10x30I	17
VEBM6	8
VEFM5	3
VEFM10	17
VFHC5x30	3
VR6x18	3

1

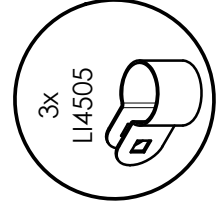
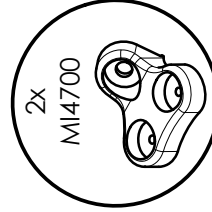


2

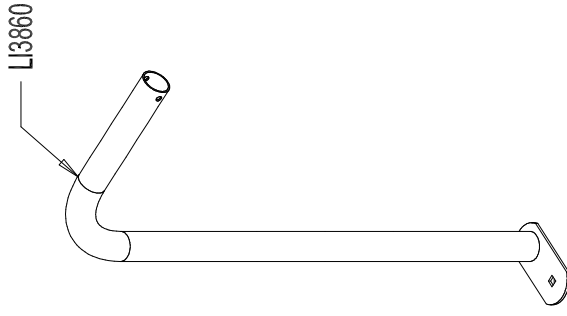
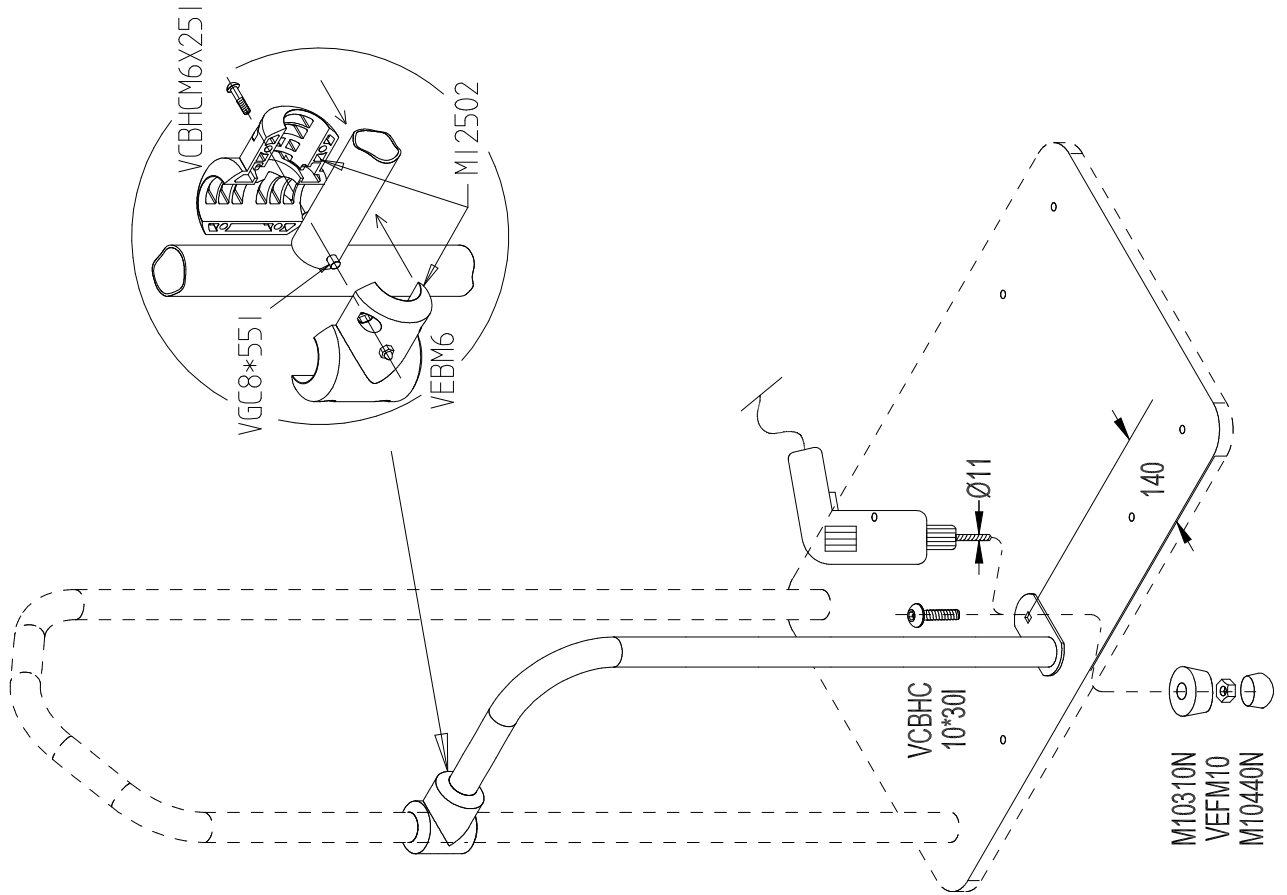




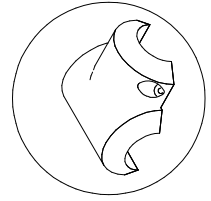
1x
ET3848L



ET3848L	1
LI4505	3
M10310N	3
M10440N	9
MI4700	2
VCBHCM10x30I	5
VEFM10	5
VTH6x30A	4



MI2502N x2



	VGC8*55I	1
	VEFM10	1
	M10310N	1
	M10440N	1
	VCBHC6*25I	4
	VEBM6	4
	VCBHC10*30I	1