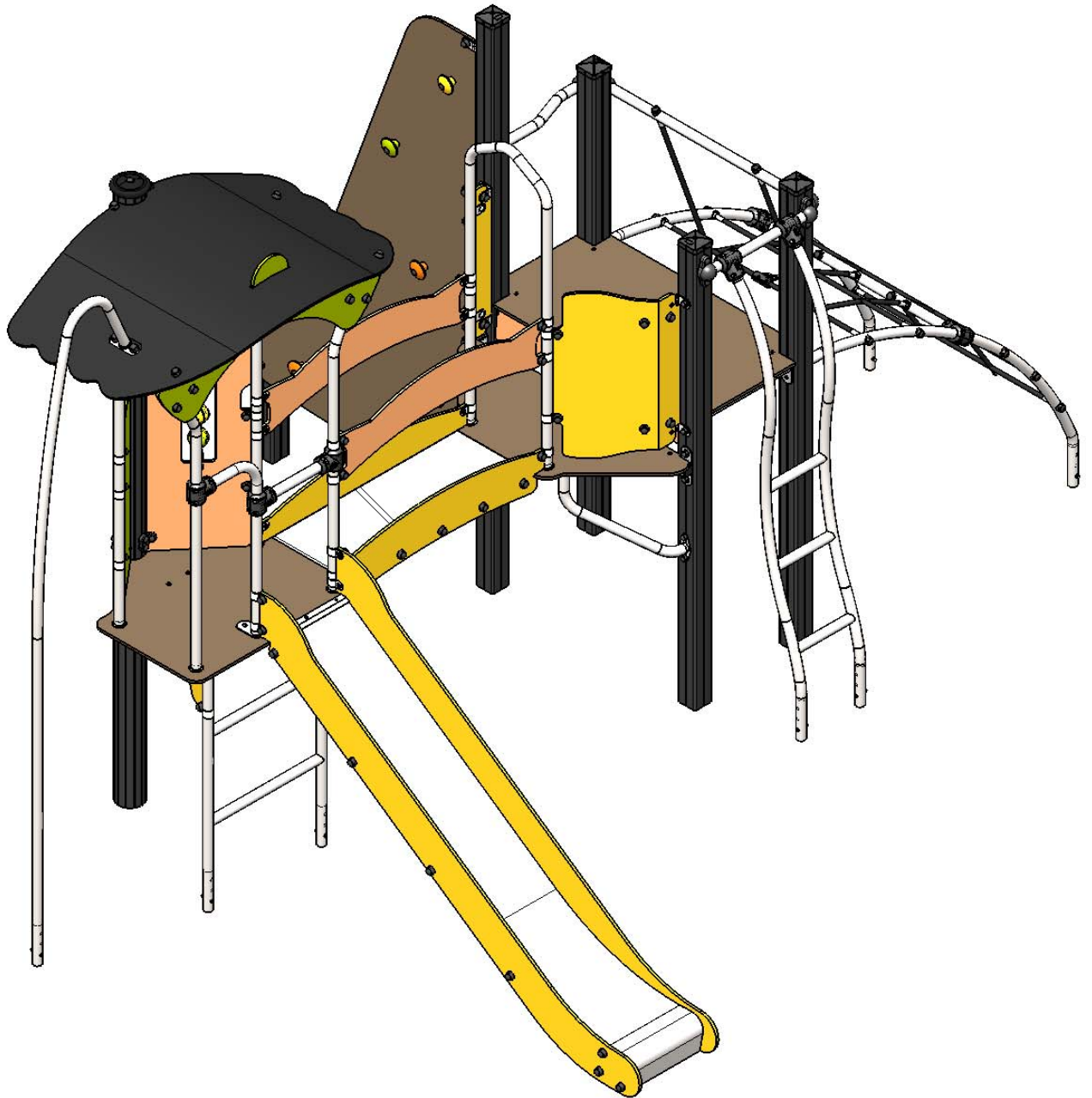
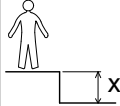
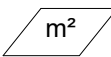


J38102

Proludic





N°		
1	1 m	5 m ²
2	1.37 m	16 m ²
3	2 m	10.5 m ²
4	2.6 m	17 m ²

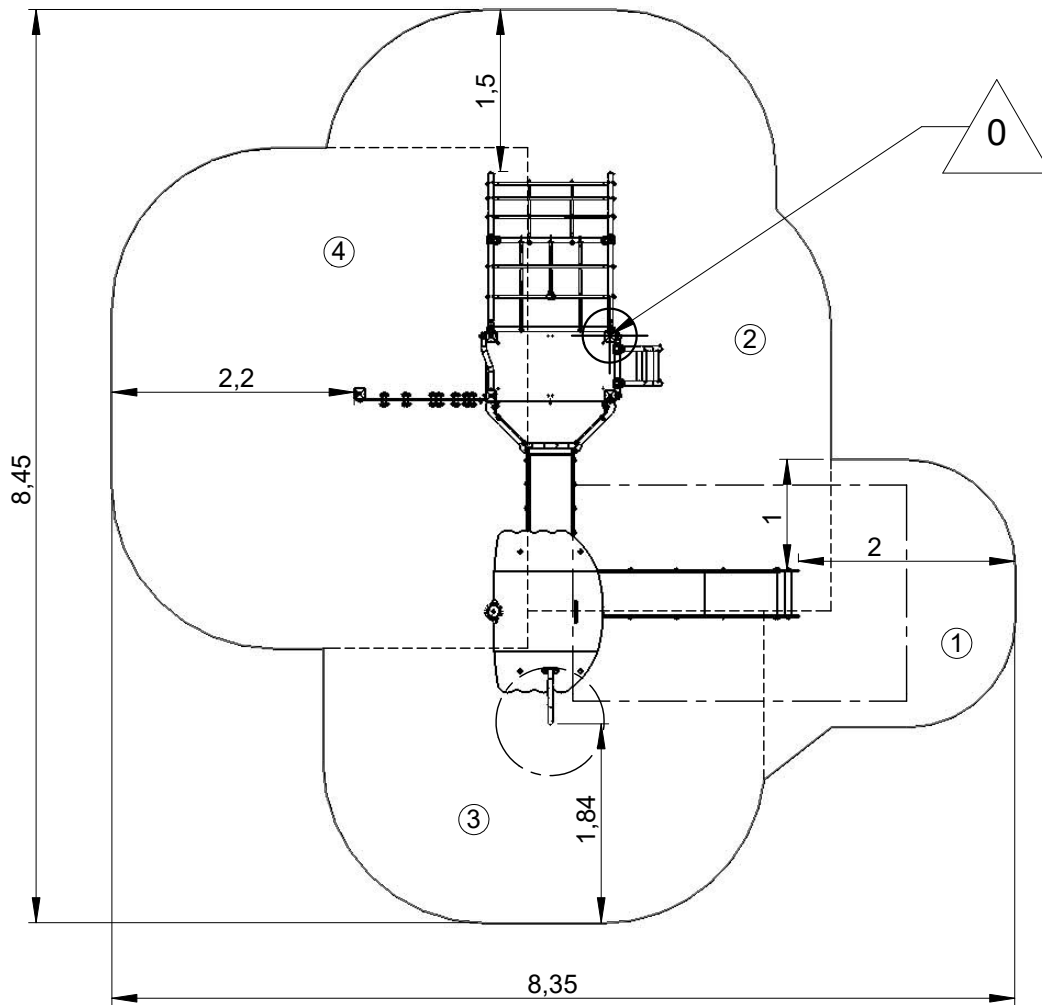
— Zone d'impact
Impact area
Area de impacto
Fallraum
Valzone

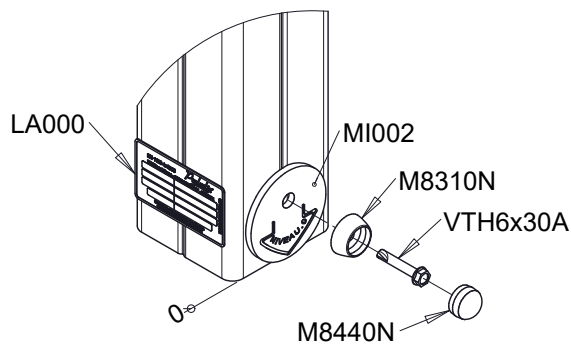
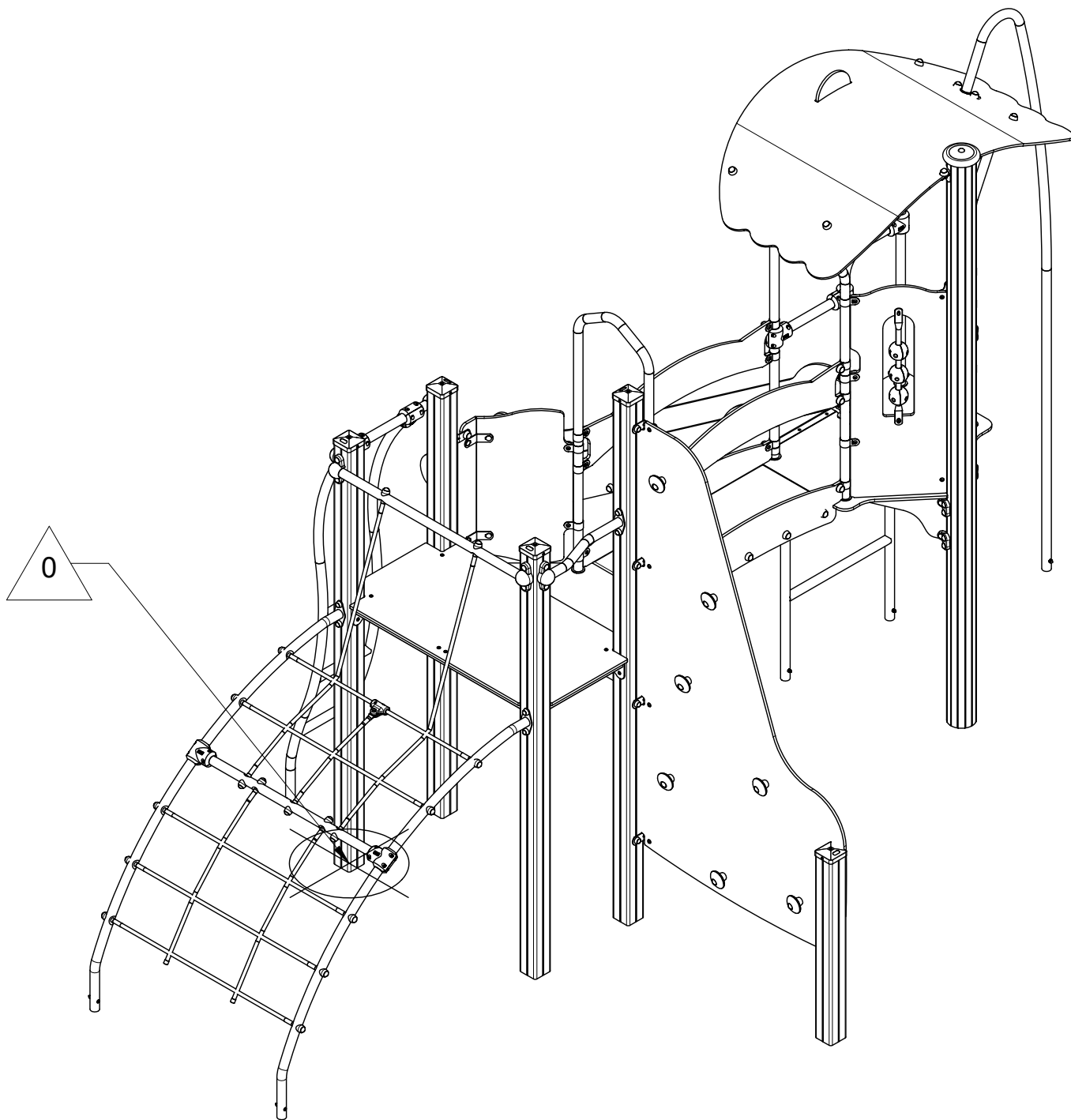
- - - Espace libre
Free space
Espacio libre
Freiraum
Vrije ruimte



Point de référence
Setting out point
Punto de referencia
Bezugspunkt
Referentiepunt

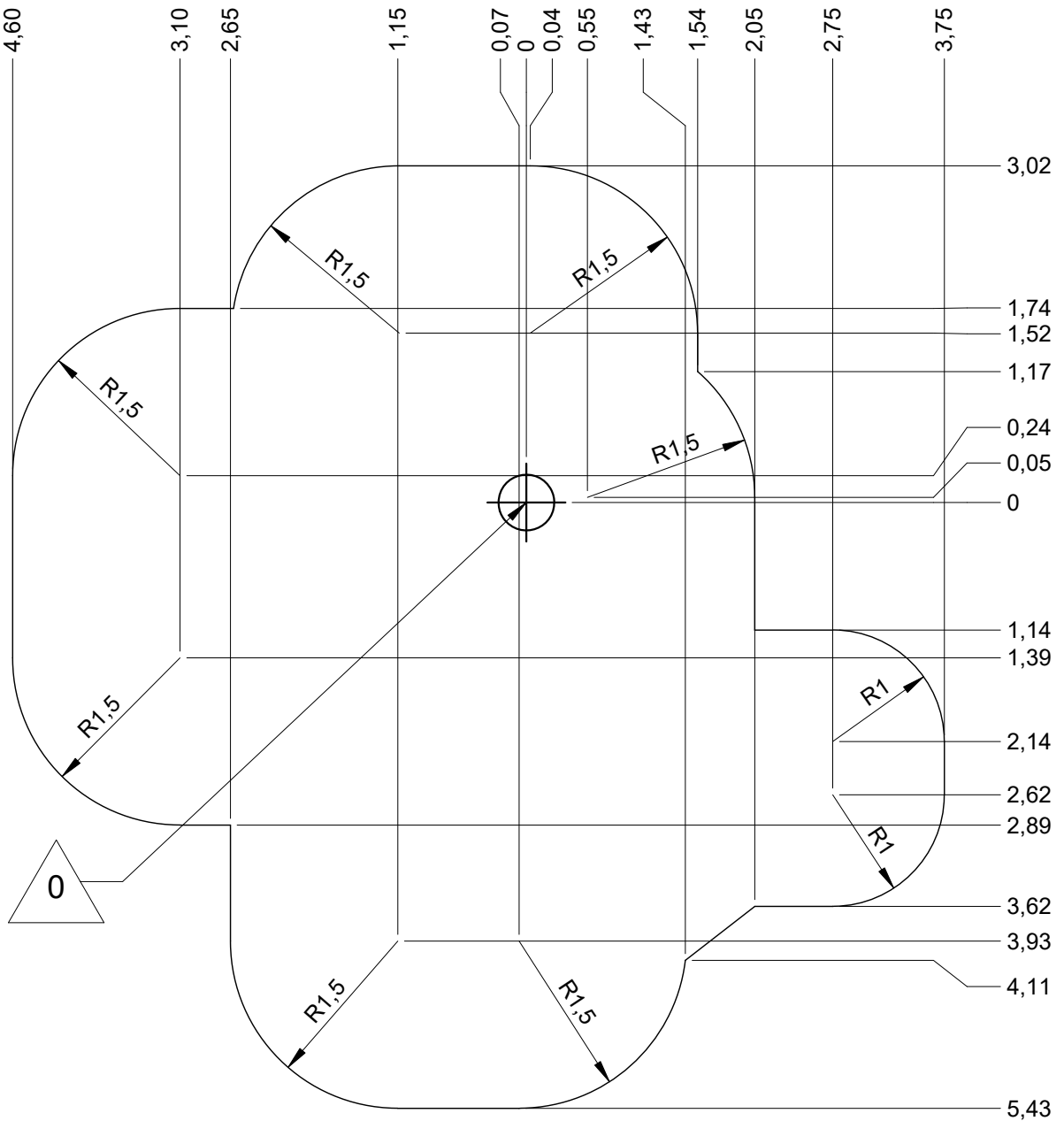
EN1176-1:2017
EN1176-3:2017





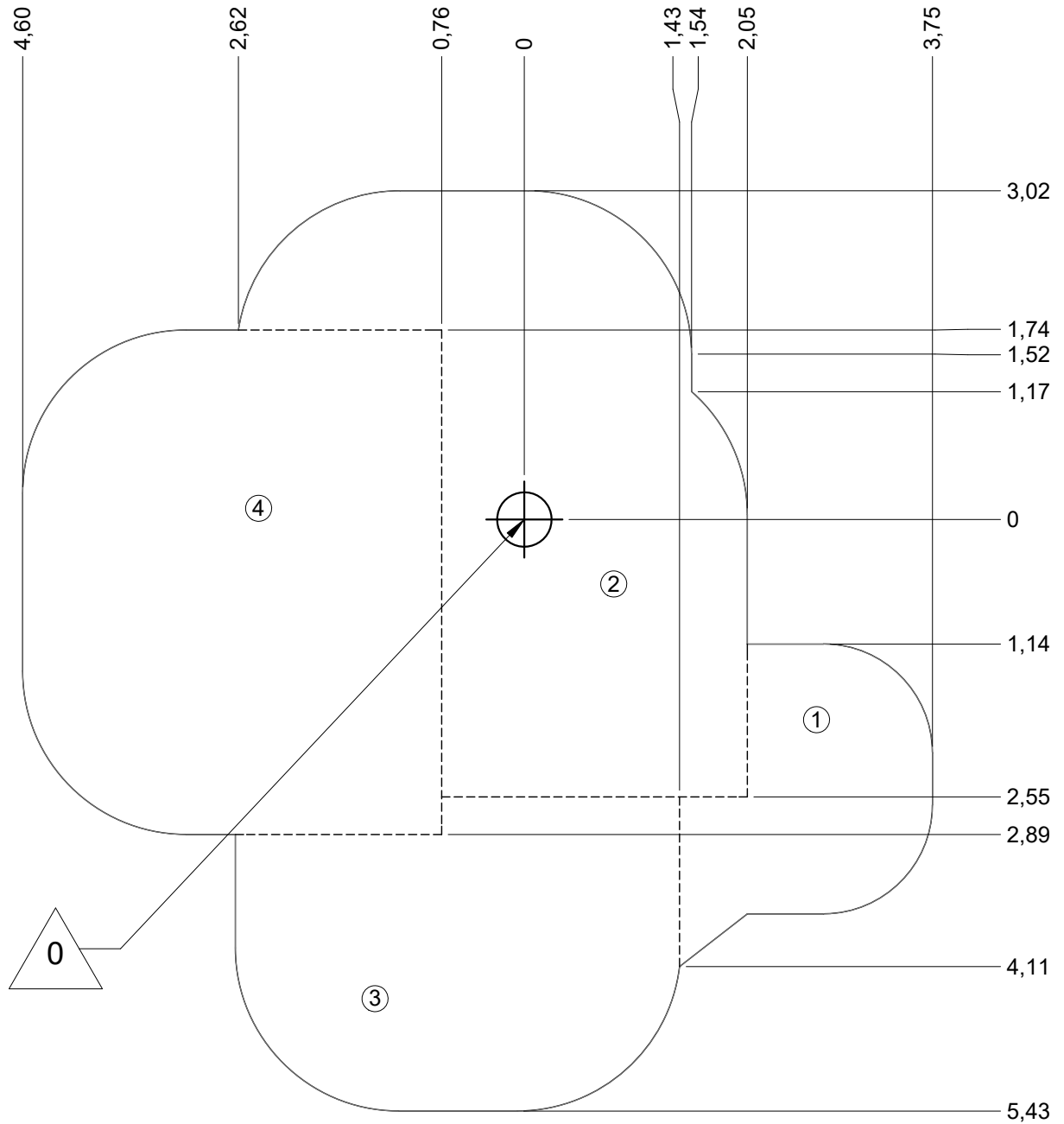
— Zone d'impact
 Impact area
 Area de impacto
 Fallraum
 Valzone

48.5 m²



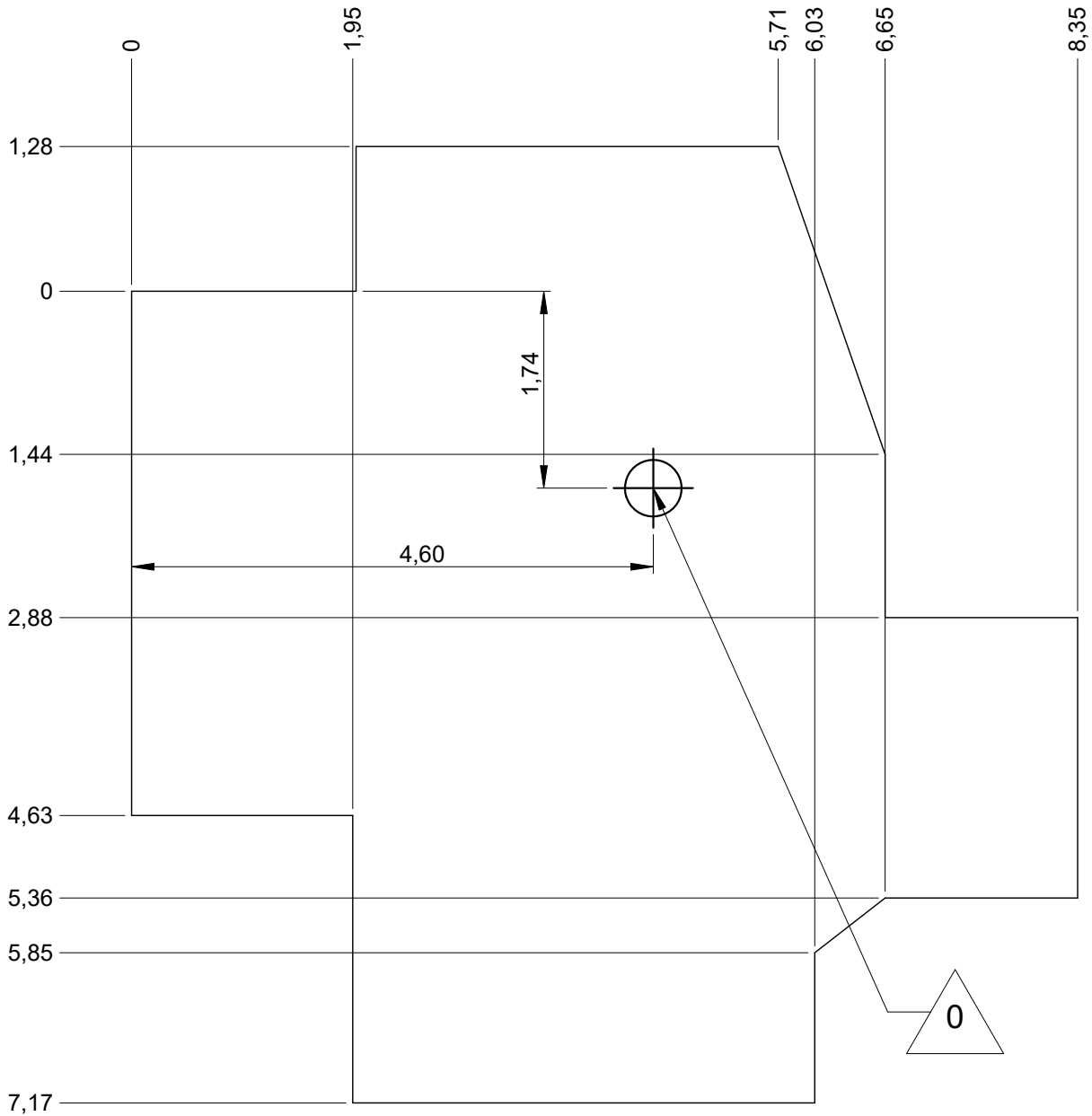
— Sol souple
 Wepour
 Caucho continuo
 Synthetischer fallschutz
 Gietvloer

48.5 m²

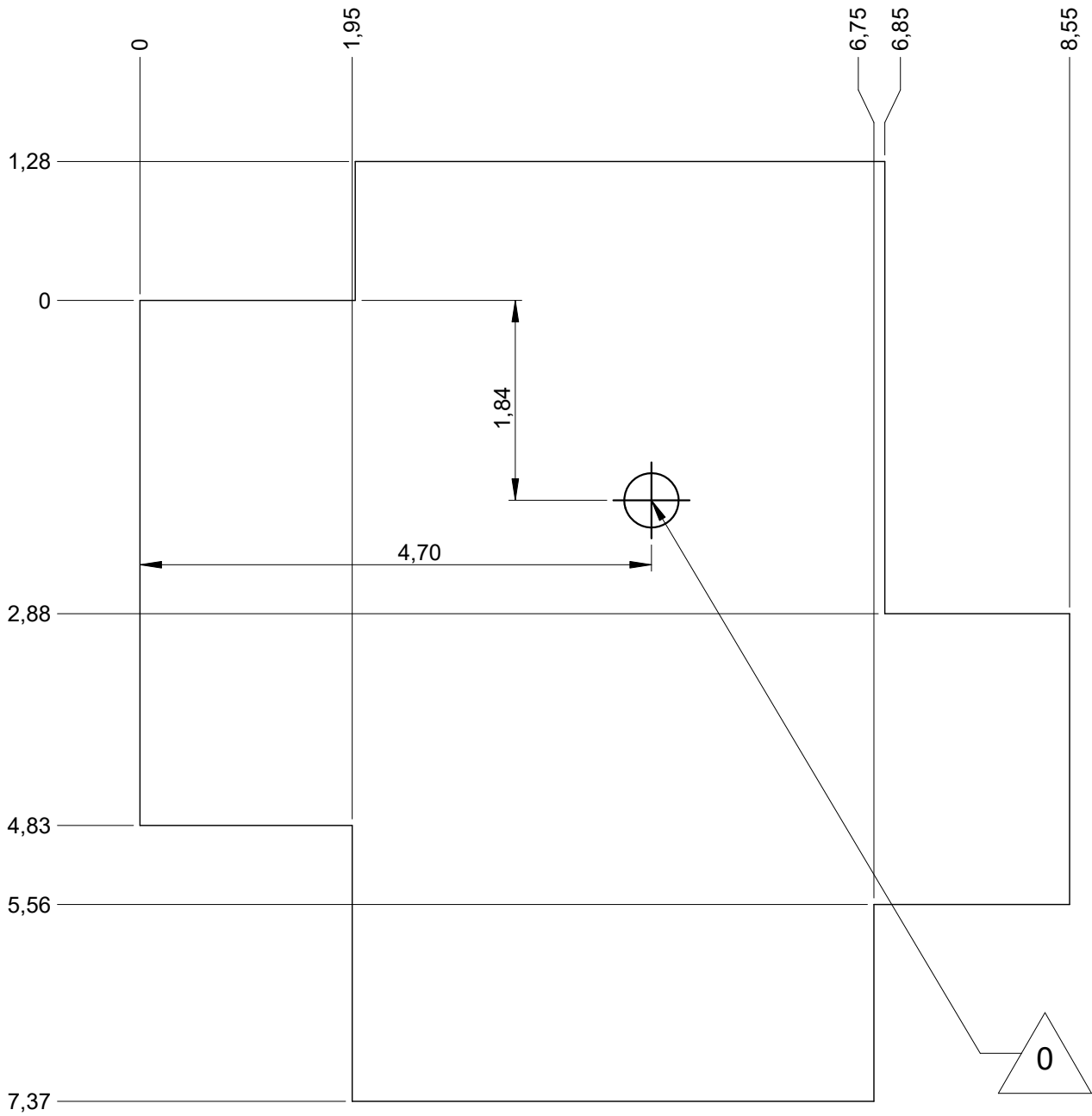


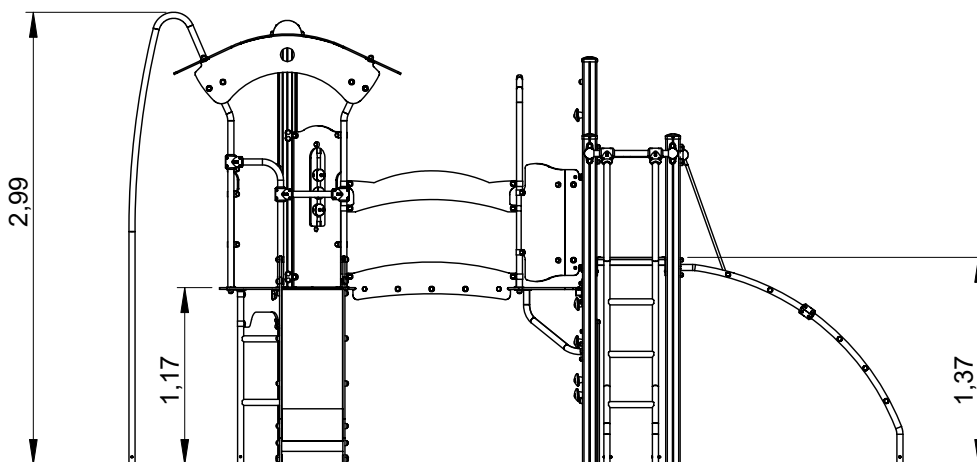
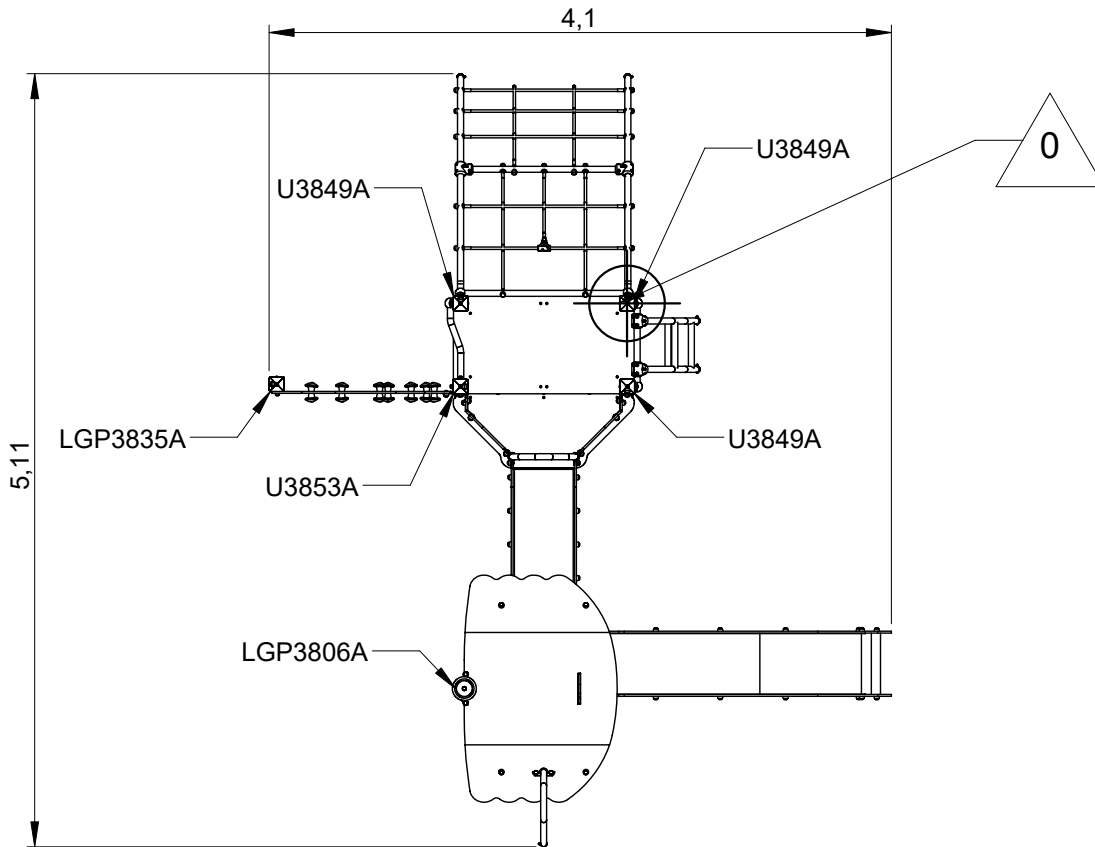
— Dalle béton
 Concrete pad
 Solera de hormigon
 Beton bodenplatte
 Betonnen bodemplaat

33 m
51 m²

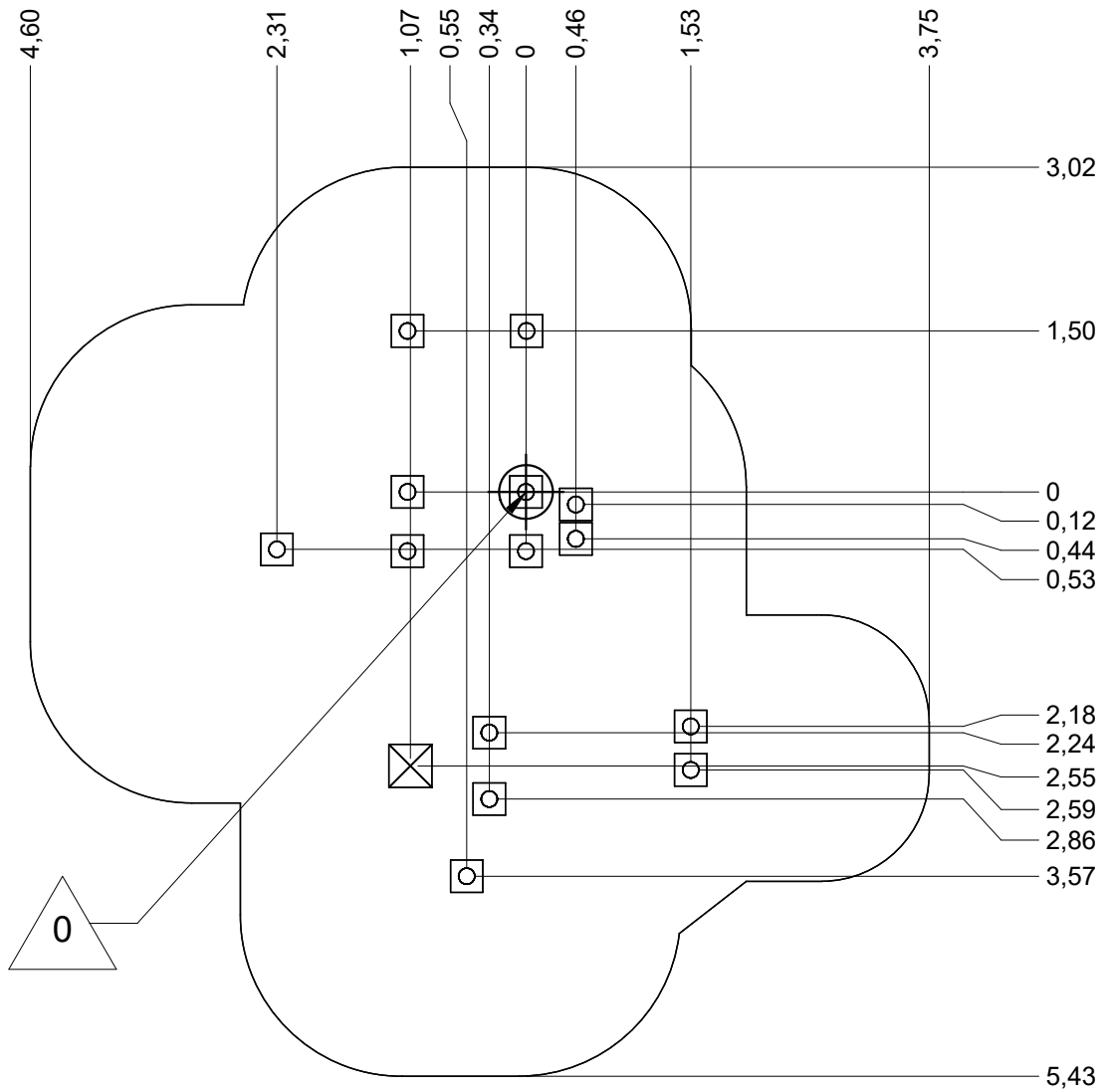


— Sol fluent
 Loos partucule material
 Arenero
 Loses Bodenmaterial
 Los bodemmaterial 35 m
 56 m²





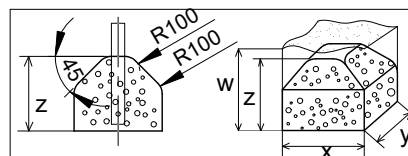
Implantation
 Footing plan
 Implantación
 Fundamentplan
 Funderingstekening



x2

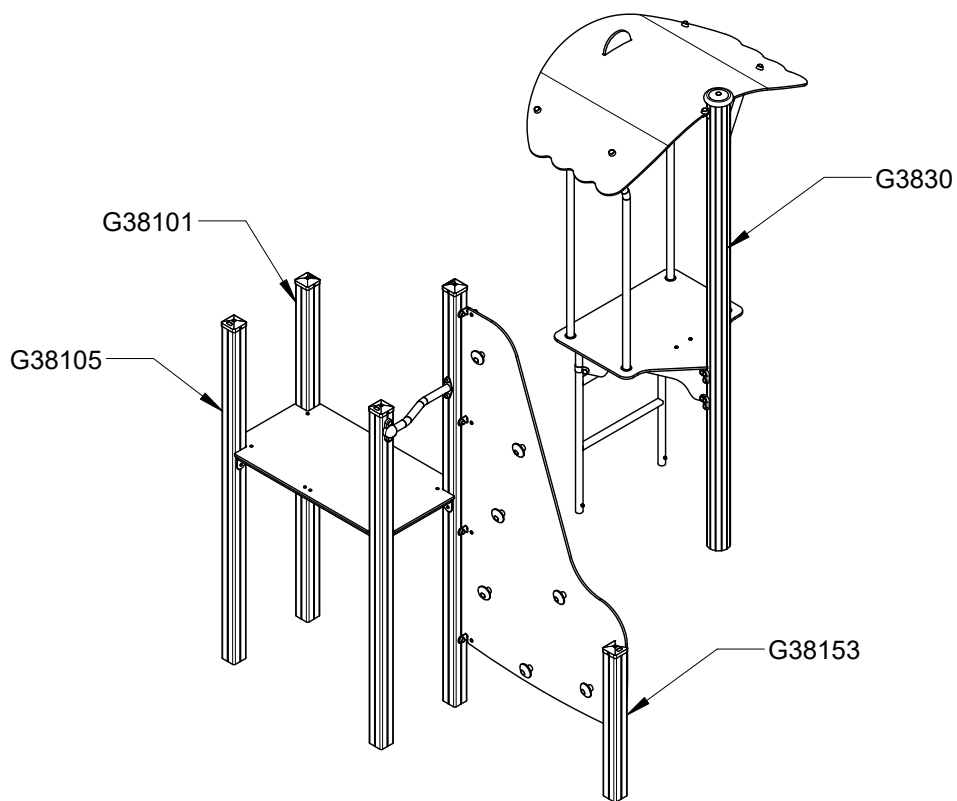
14H

0.4 m³

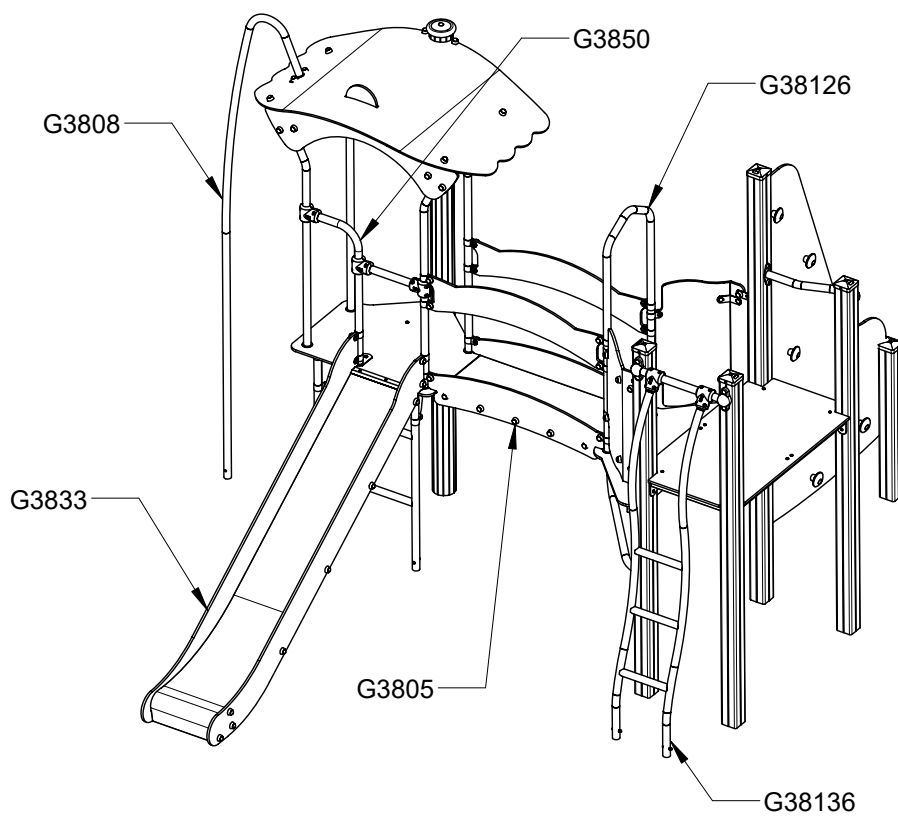


	x	y	z	w
	0.3	0.3	0.3	0.6
	0.4	0.4	0.3	0.6
	0.6	0.3	0.3	0.6

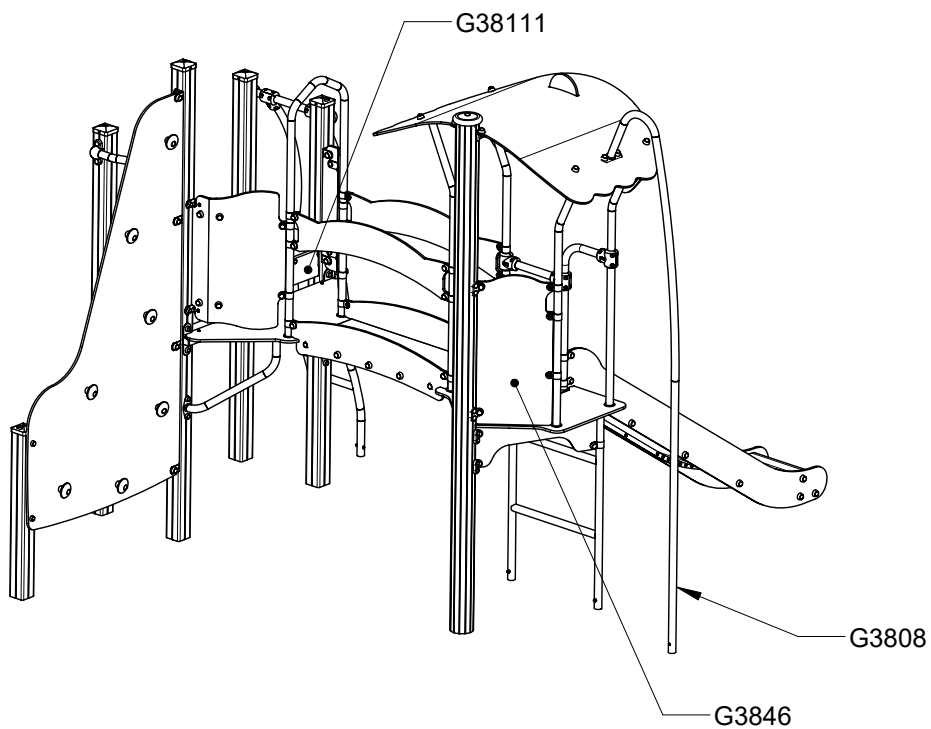
1



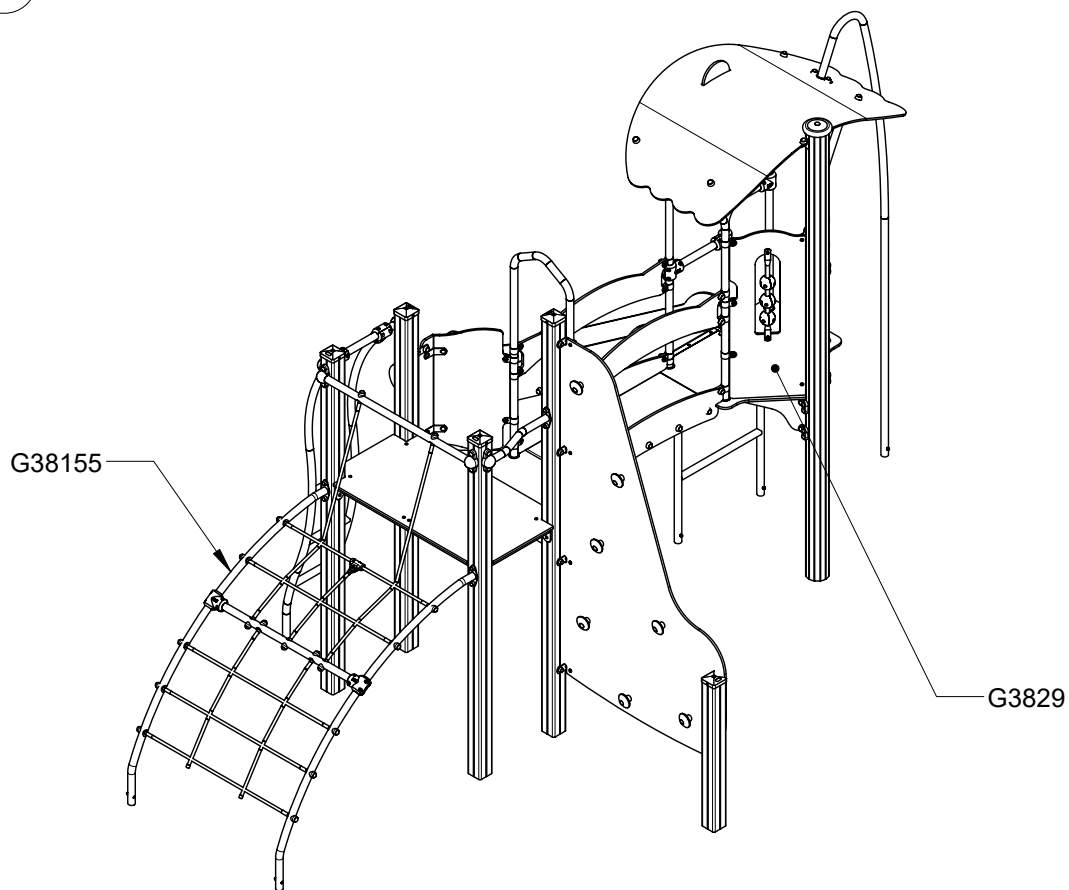
2

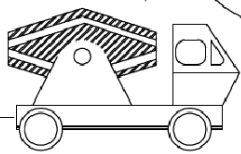
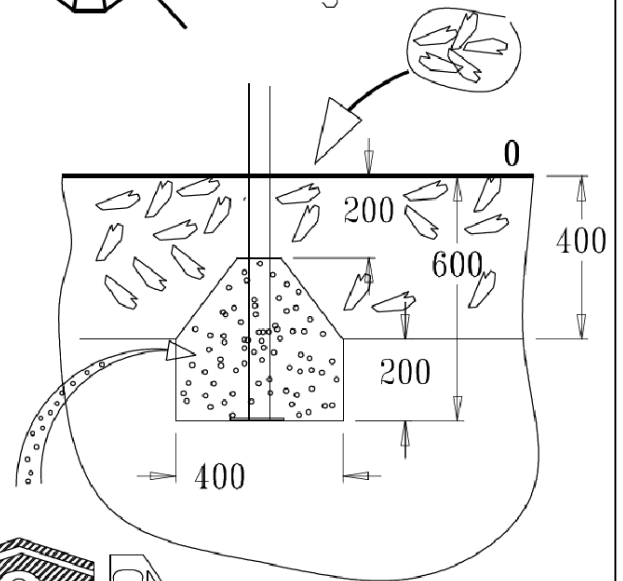
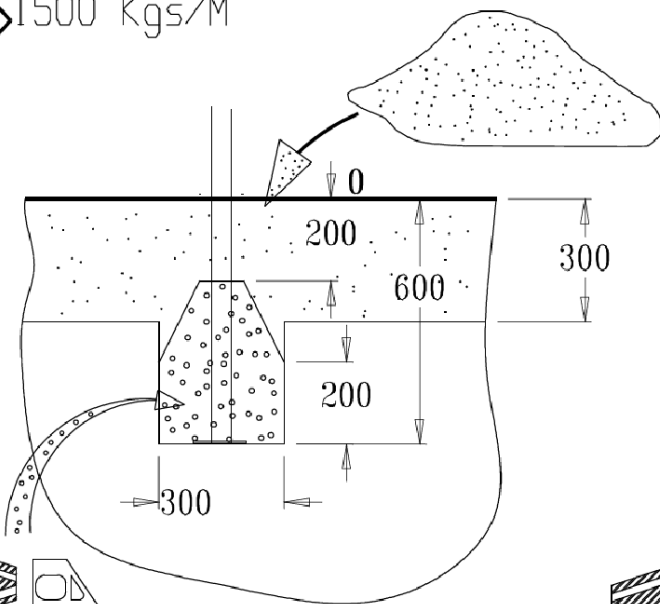
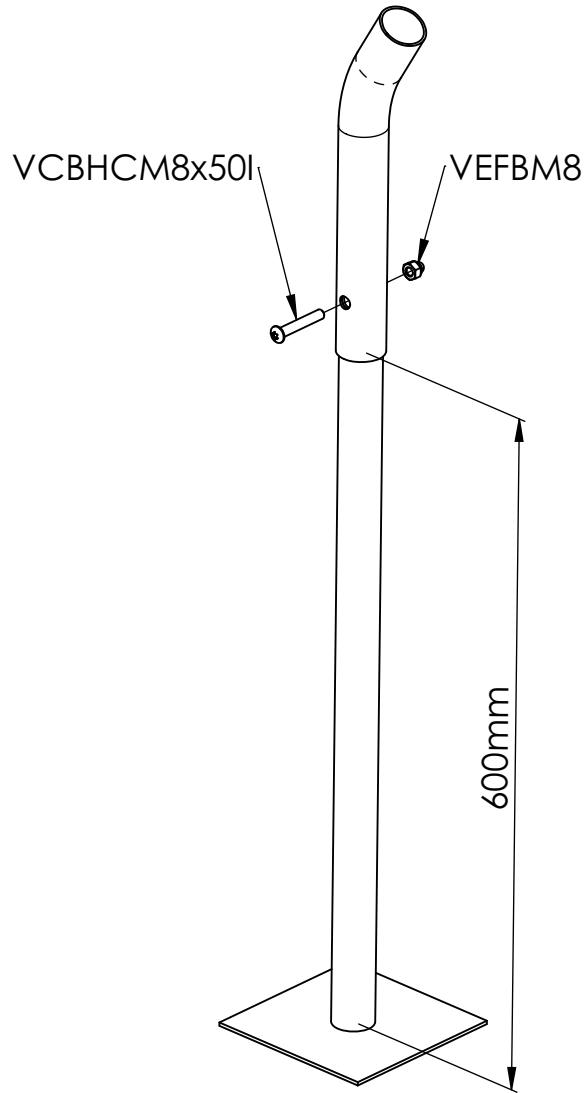


3

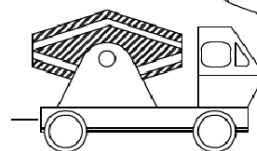


4



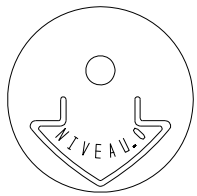


50 Kgs



90 Kgs

A



MI0002

VCBHCM10

M10310N
VEFM10
M10440N

LG08

M10440N
VEFM10
MI2503

M10440N
VTH10*80
MI2503

LG3802

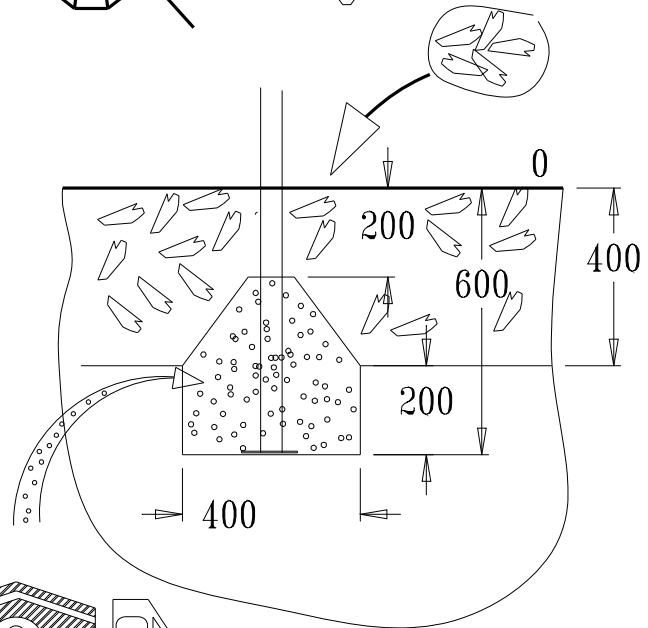
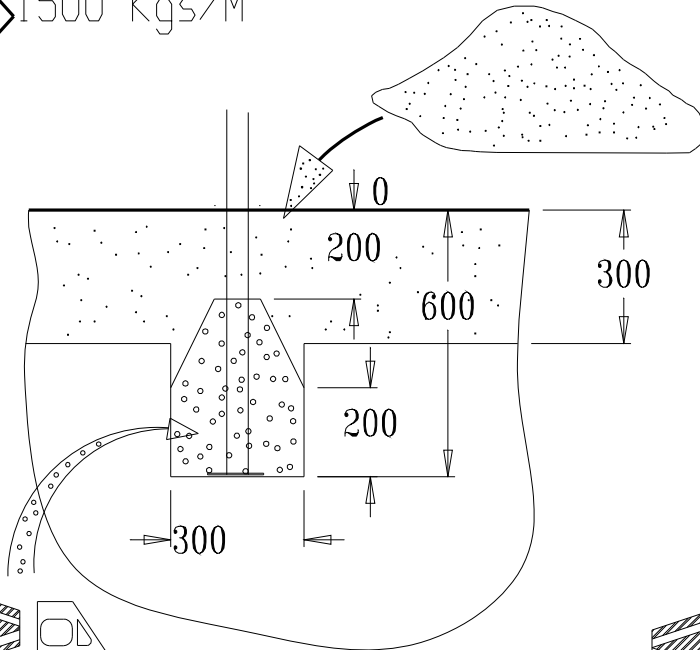
LG3804

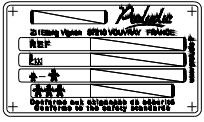


> 1500 Kgs/M³

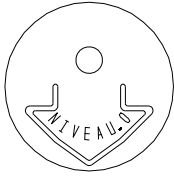


< 1500 Kgs/M³

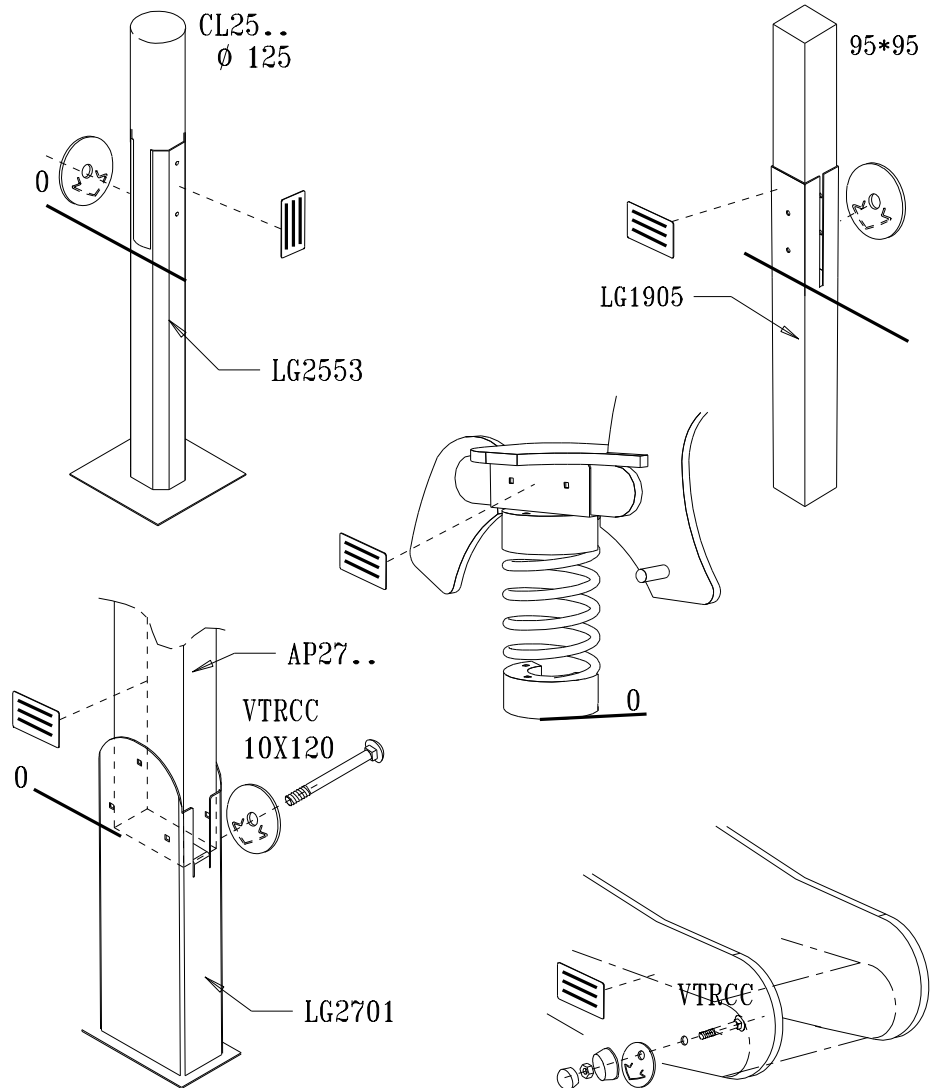
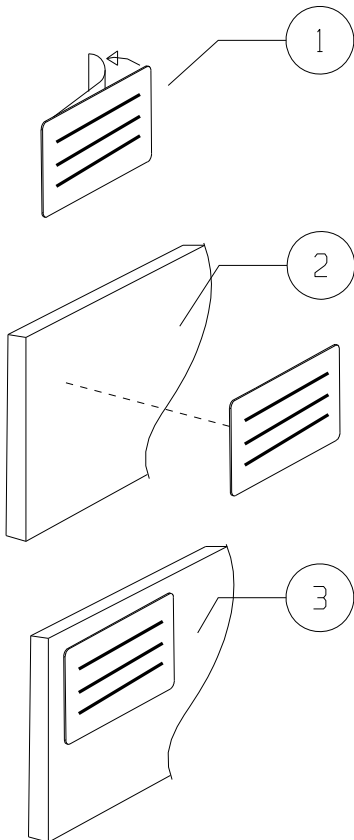
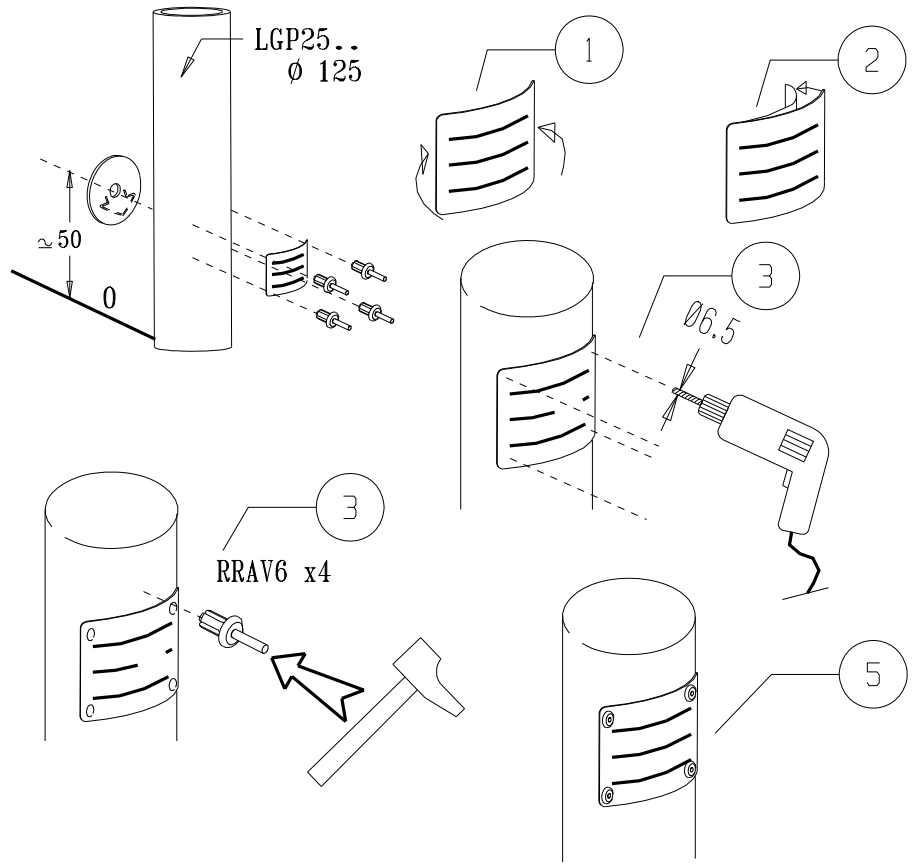


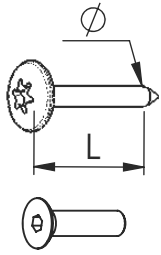


LA000



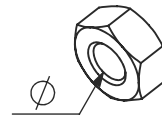
MI0002



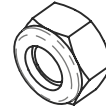


VBT 6 x 30
 \varnothing L (mm)

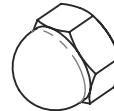
VFHC



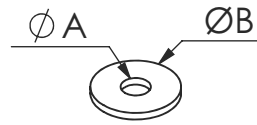
VEC M10
 \varnothing




VEF




VEB



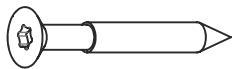
VR6x18
 $\varnothing A$ $\varnothing B$



1000 - 1800 tr/min
 Vitesse de rotation
 Rotation speed



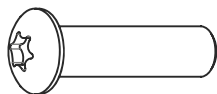
14 N.m
 Couple de rupture
 Torque of break



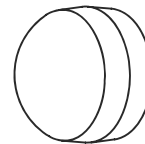
VWT



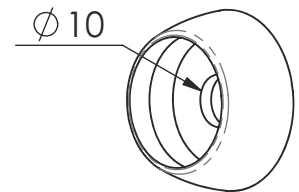
VGC



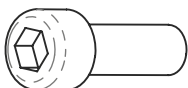
VCBHC



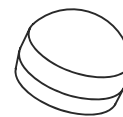
M10 440N



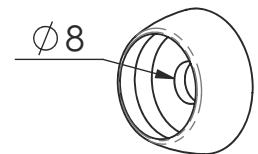
M10 310 N



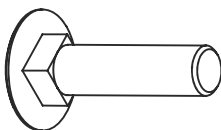
VBTR



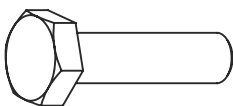
M8440N



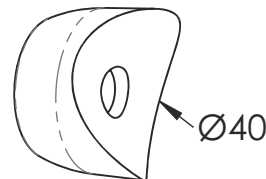
M8310N



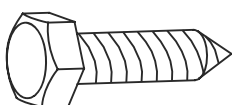
VTRCC



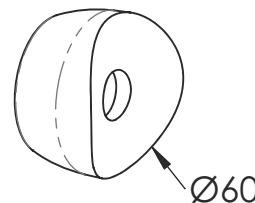
VTH



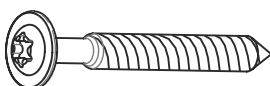
MI2503



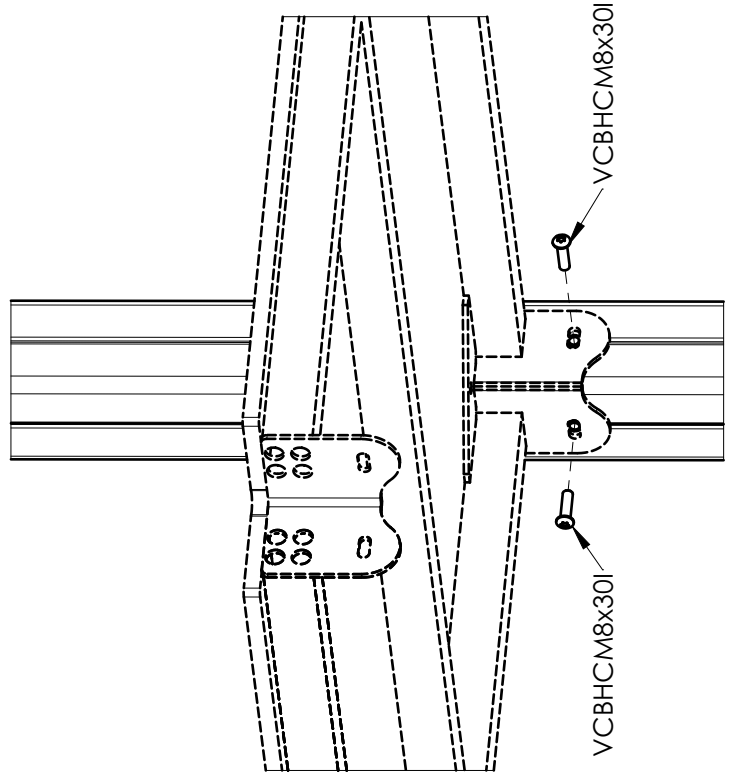
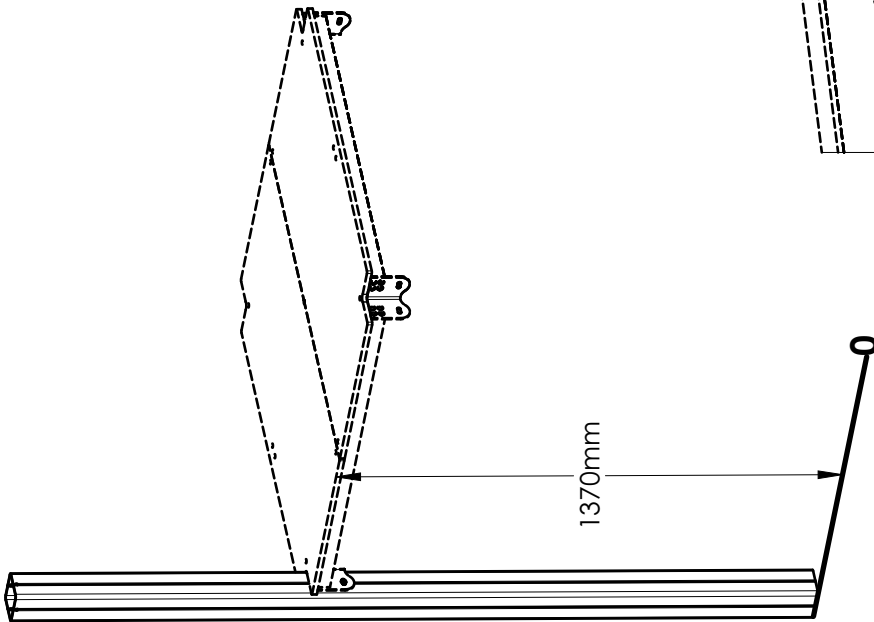
VTF



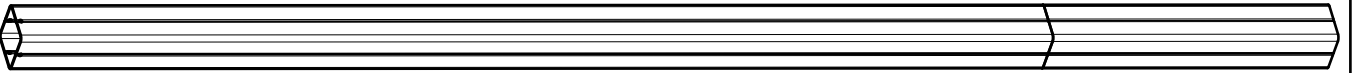
MI2701



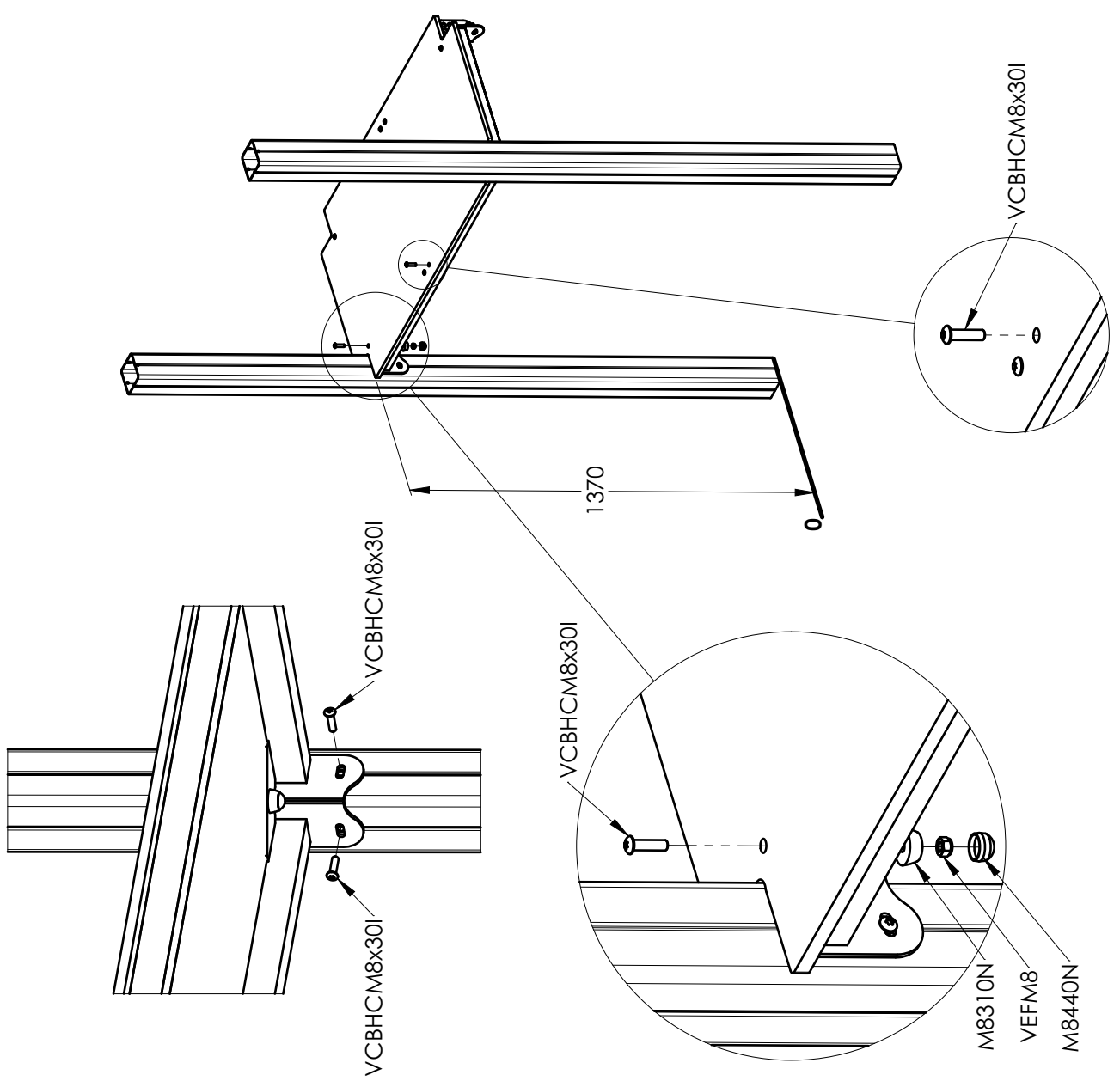
VBT



U3849A



Réf	Qté
VCBHCM8x30I	2
U3849A	1

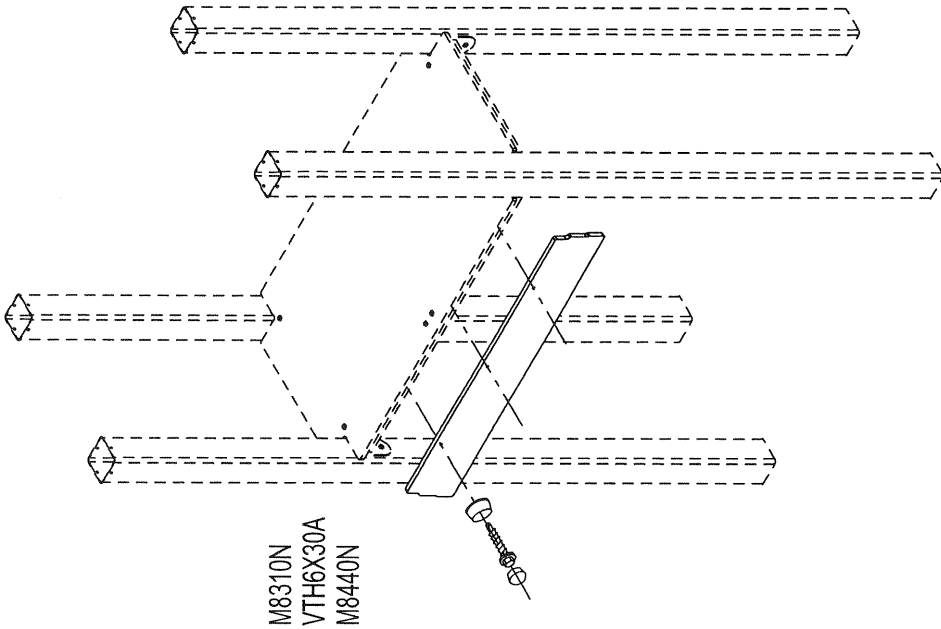


U3849A

LG3813

FT3858

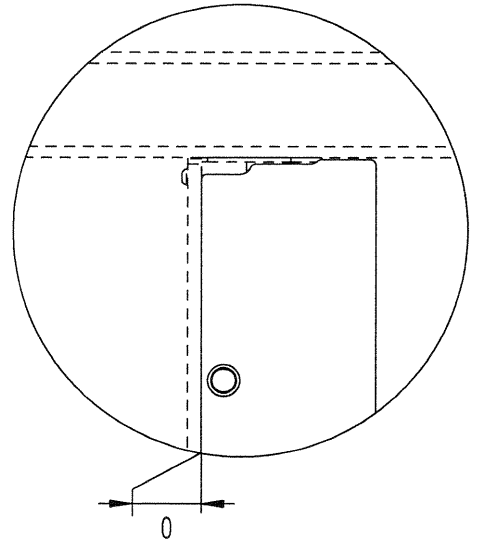
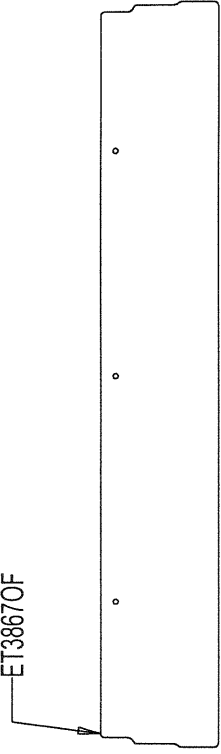
Réf	Qté
FT3858	1
LG3813	1
M8310N	4
M8440N	4
U3849A	2
VCBHC8x30I	16
VEFM8	4



M8310N
 VTH6X30A
 M8440N

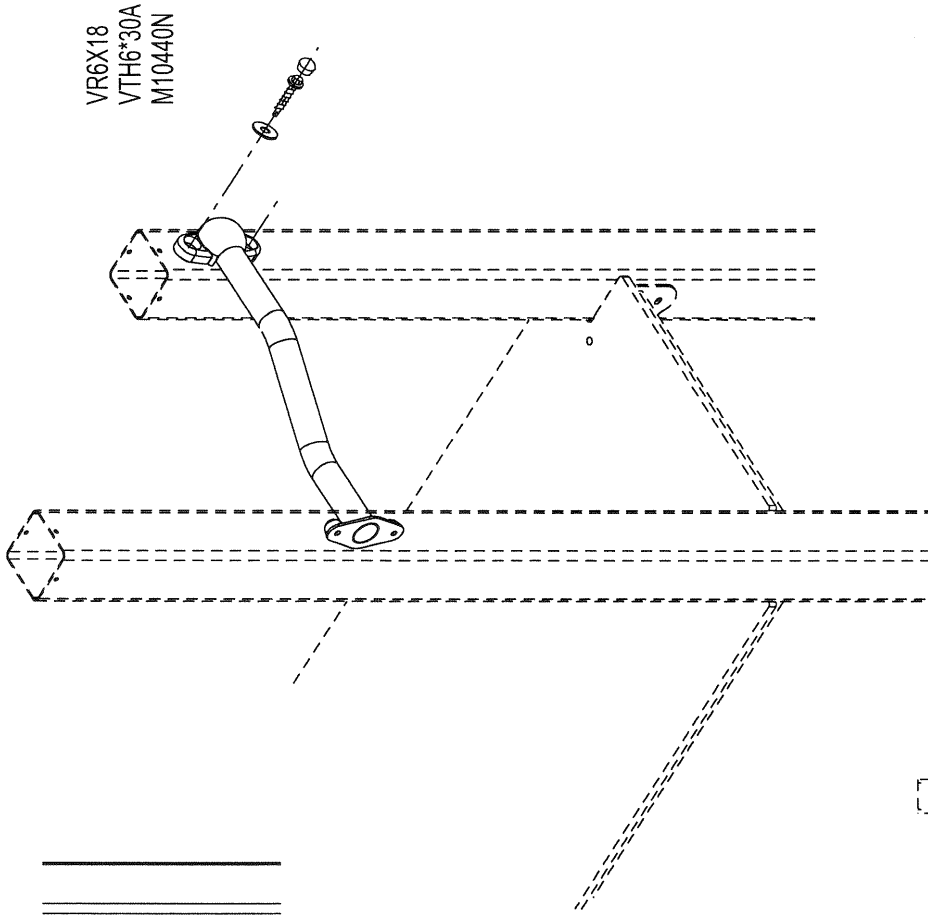
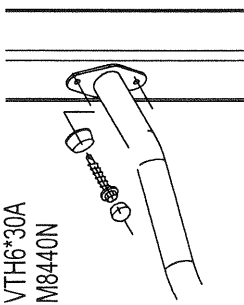
M8310N
 VTH6X30A
 M8440N

ET38670F

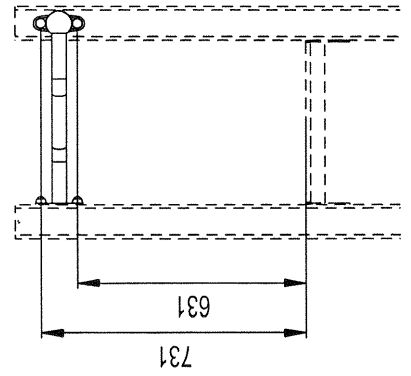
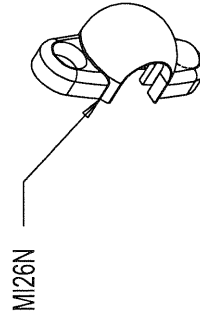
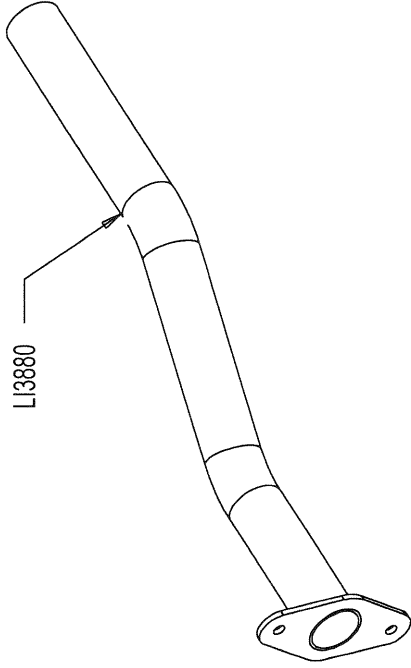


	M8440N	3
	M8310N	3
	VTH6X30A	3

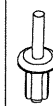
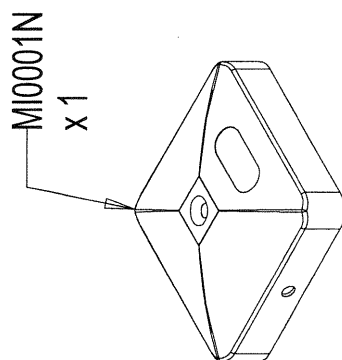
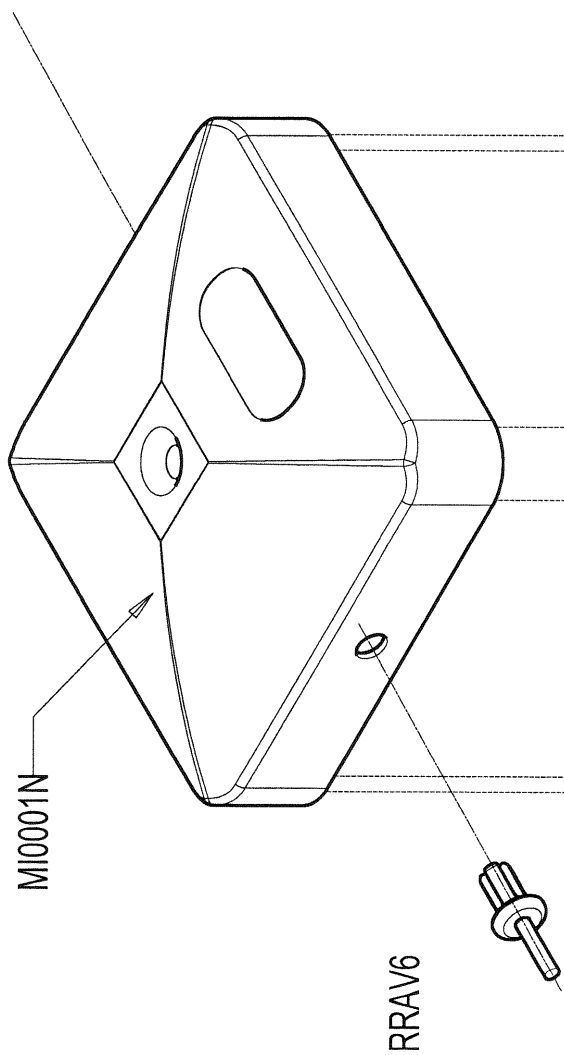
M8310N
VTH6*30A
M8440N



VR6X18
VTH6*30A
M10440N



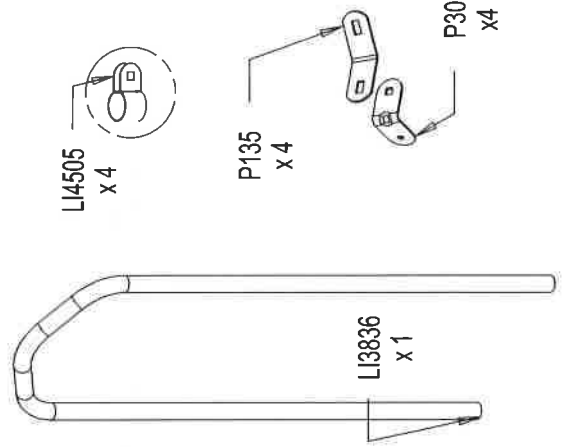
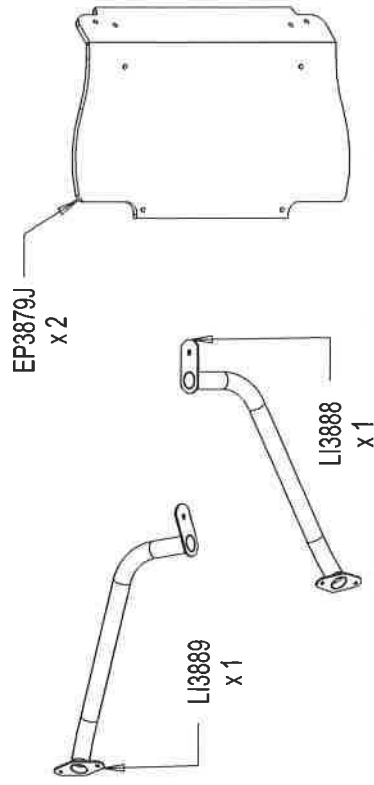
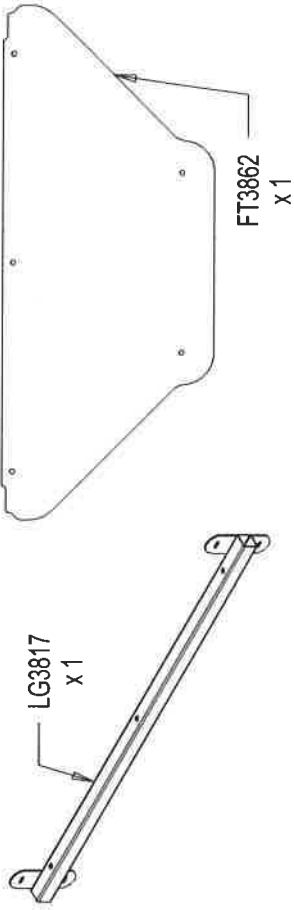
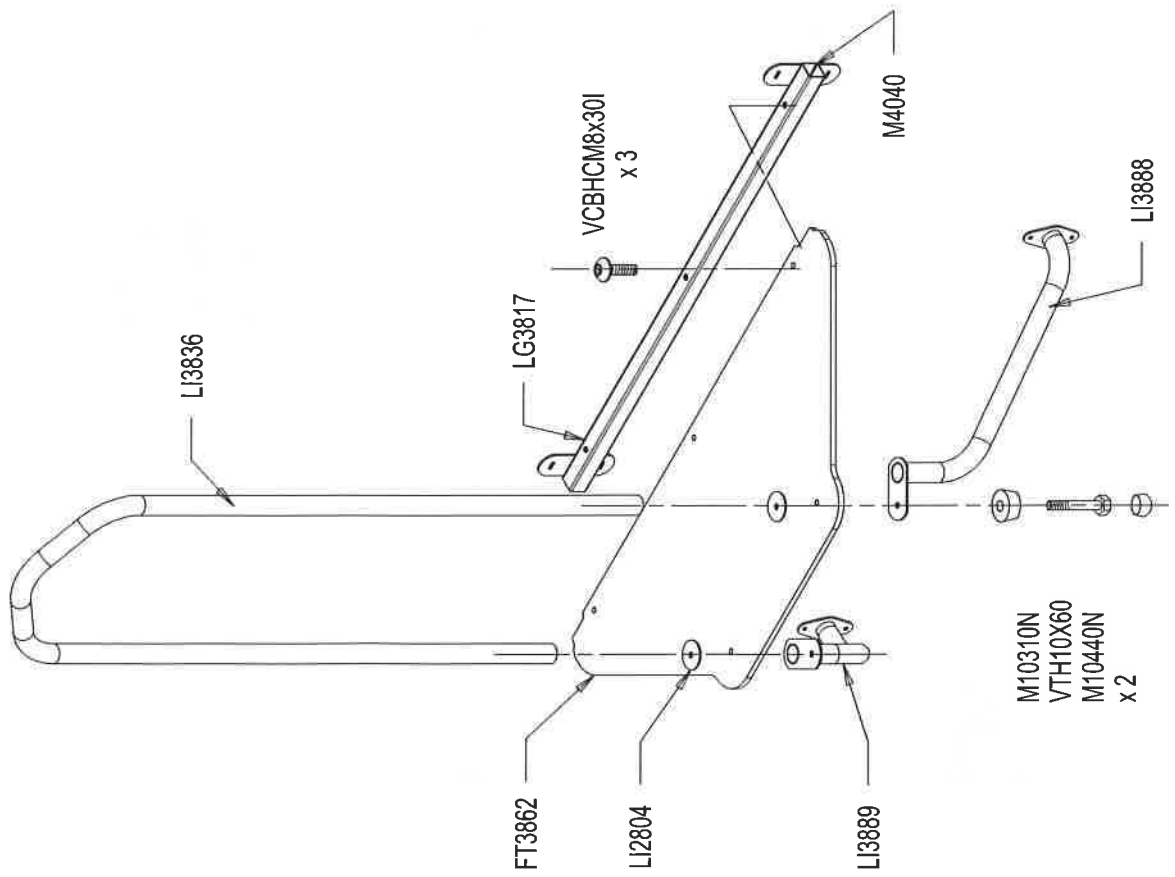
	VR6X18	2
	VTH6X30A	4
	M8440N	2
	M8310N	2
	M10440N	2



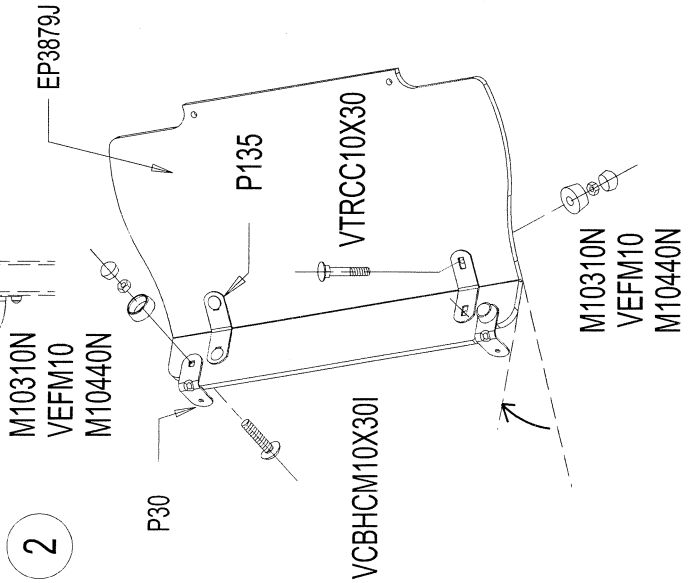
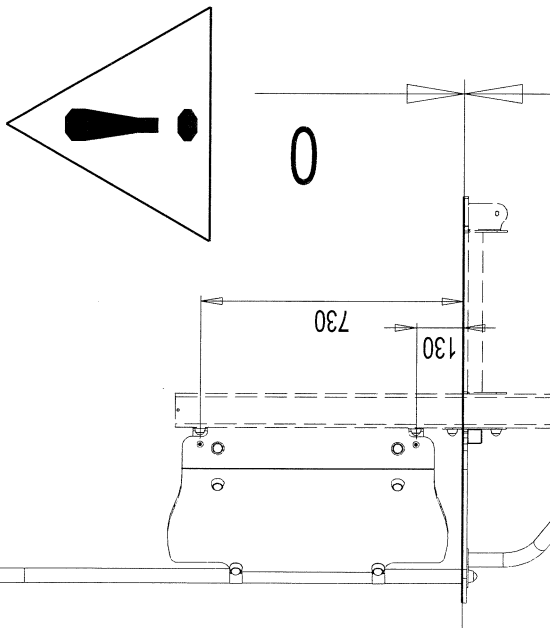
RRAV6

2

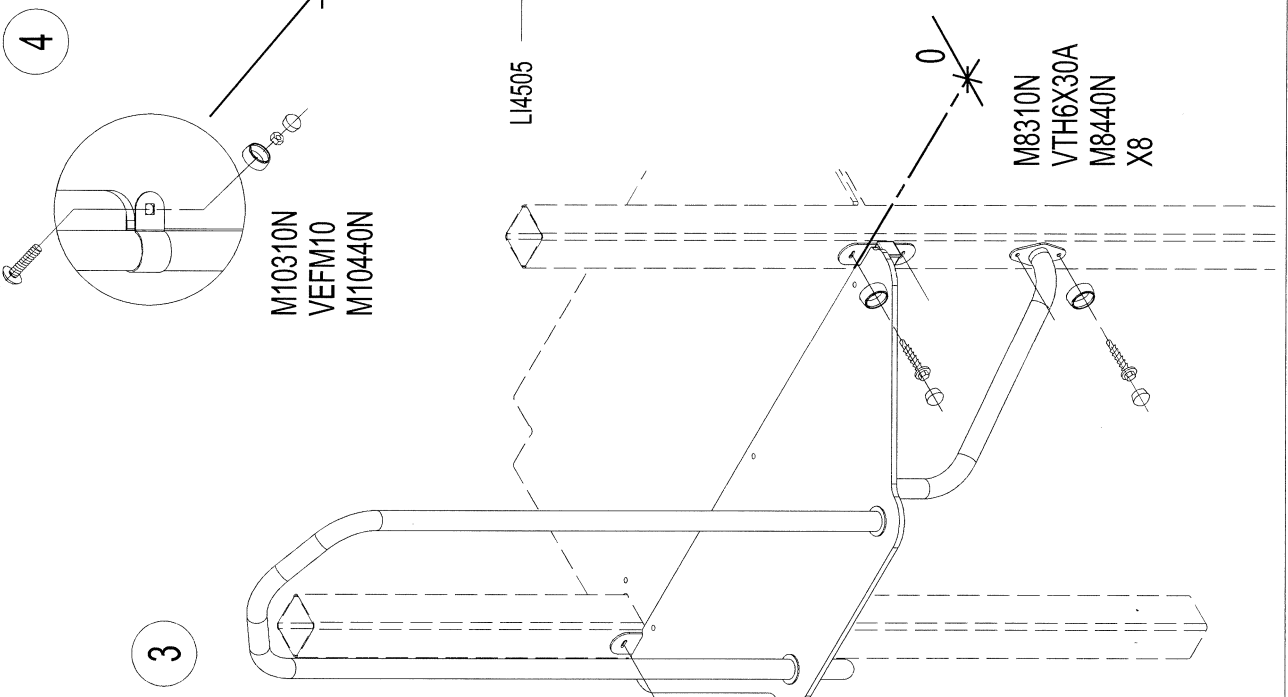
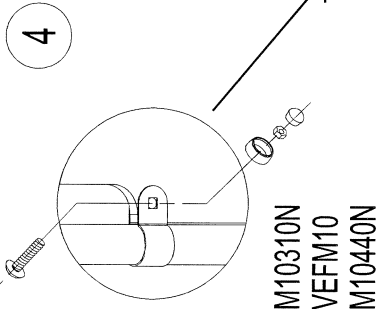
1

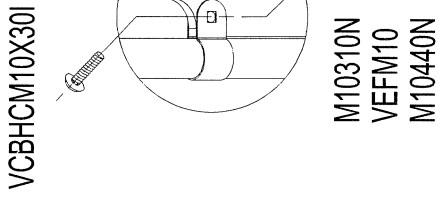
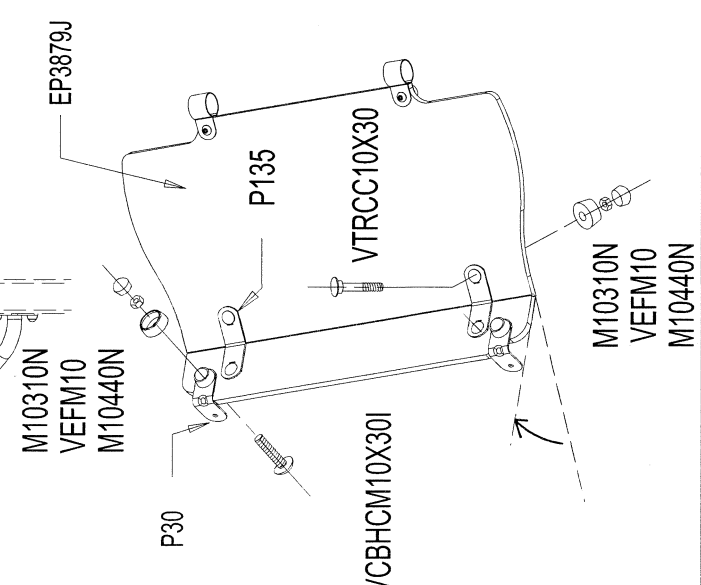
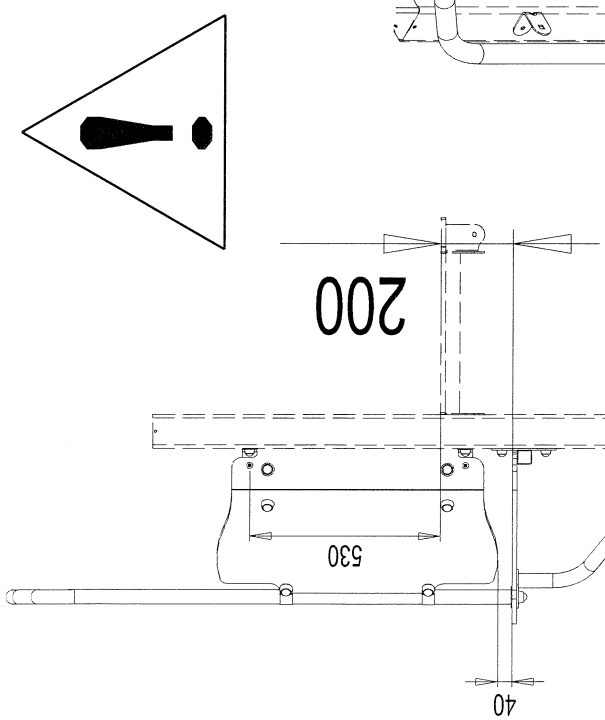


	VTH10X60	2
	LI2804	2
	M4040	2
	VCBHCM8X30I	3
	VTRCC10X30	8
	VCBHCM10X30I	8
	M8440N	12
	M8310N	12
	M10440N	14
	M10310N	14
	VEFM10	8
	VTH6X30A	12

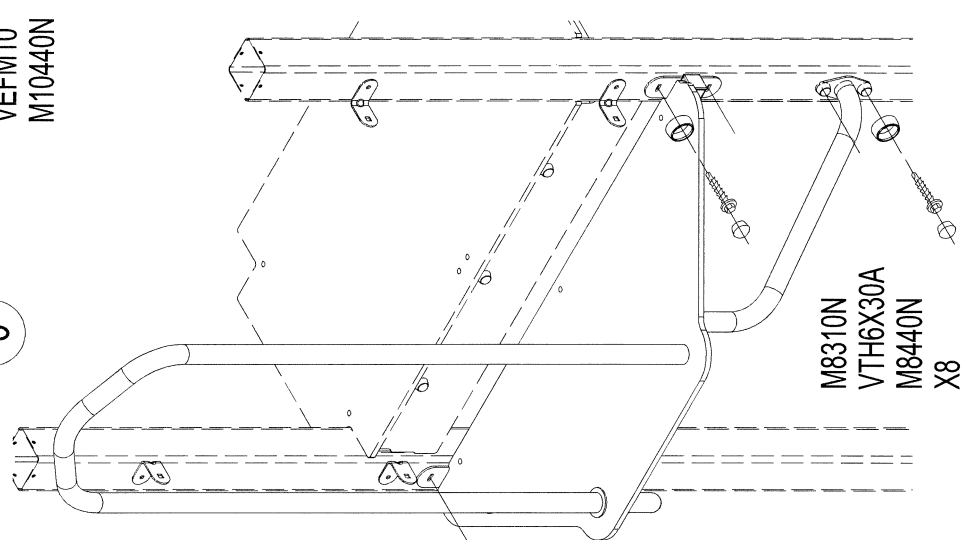


VCBHCM10X30I

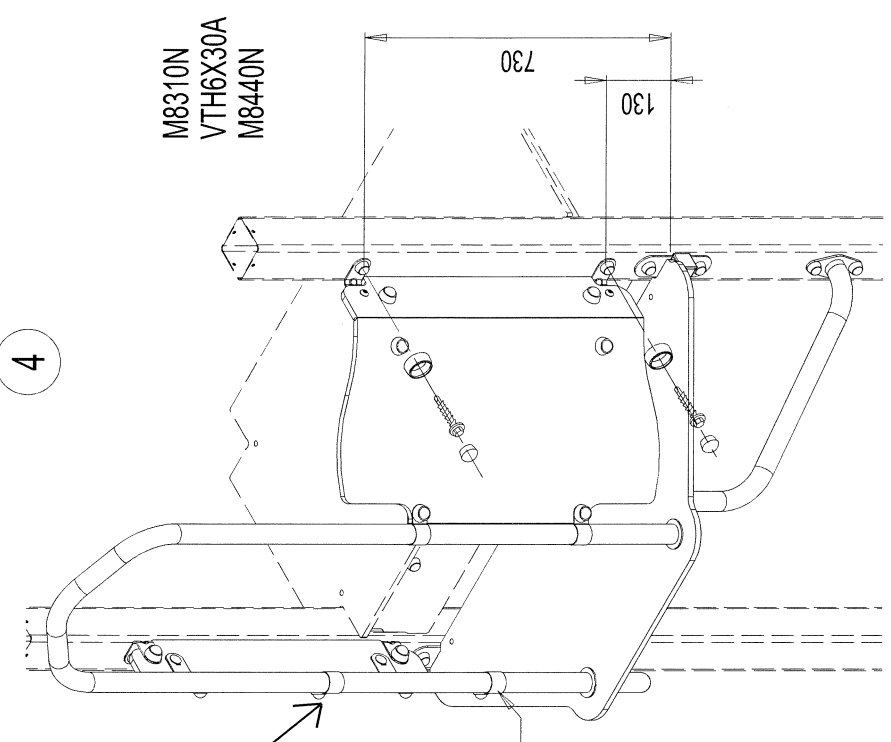


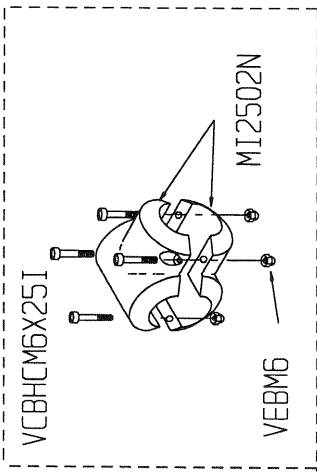


3

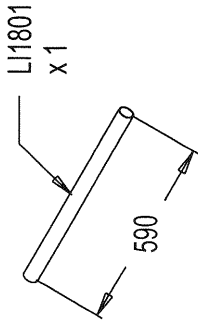
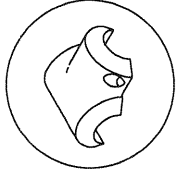


4

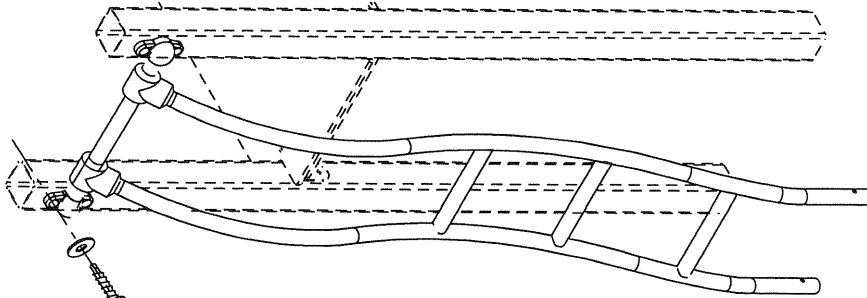




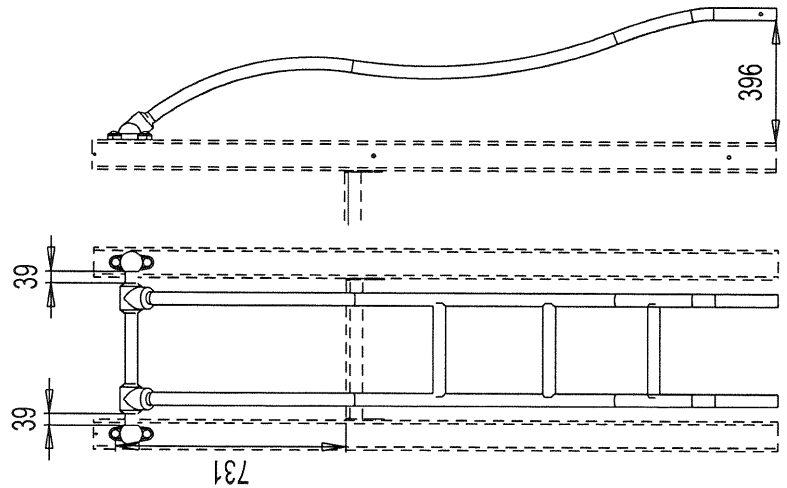
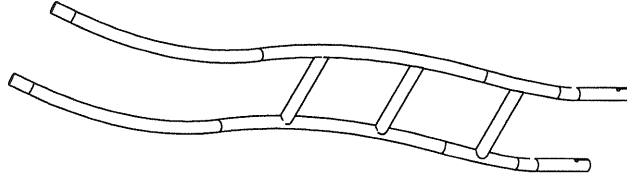
MI2502N x 4



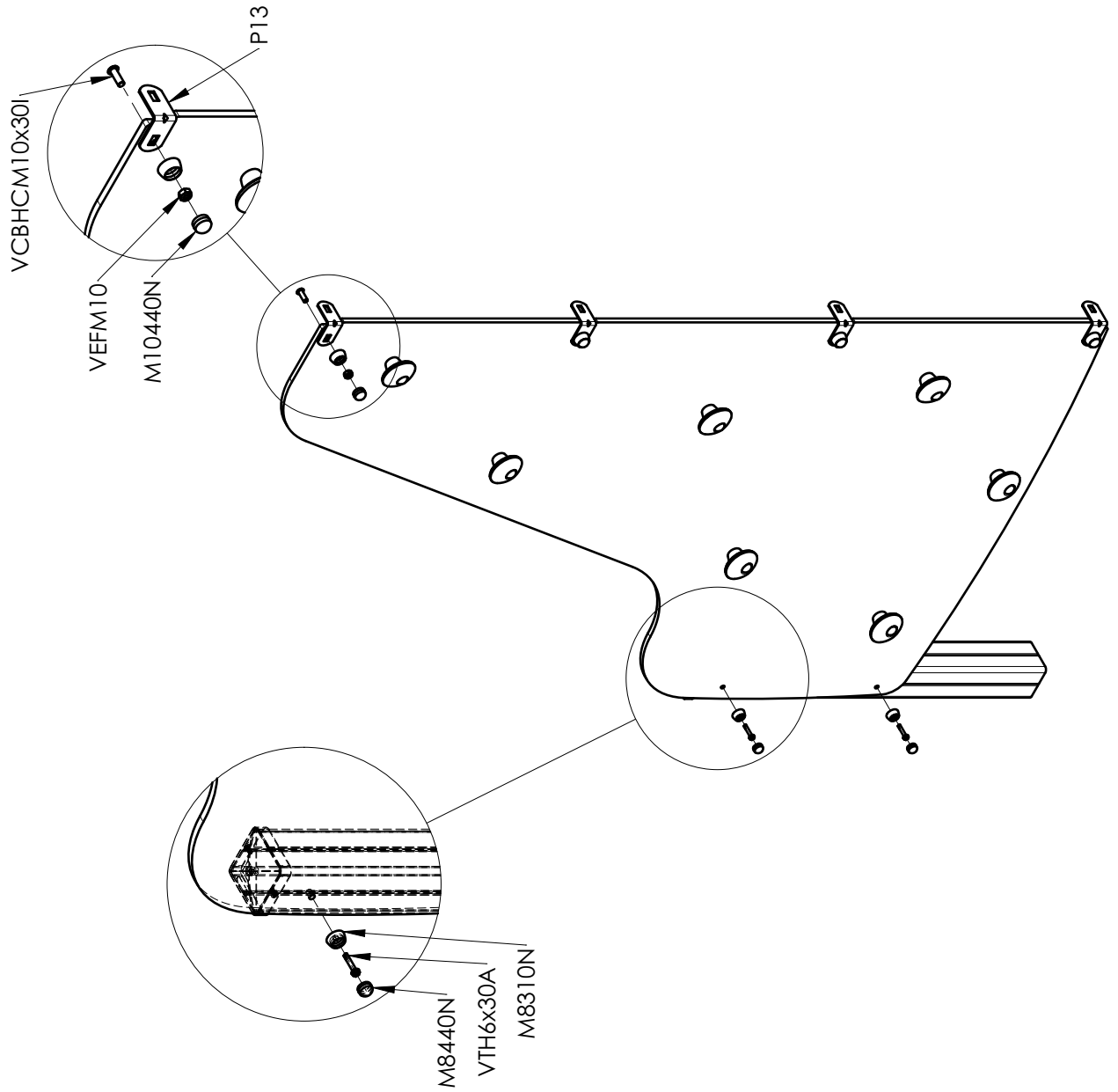
VR6*18
VTH6*30A
M10440N



LI33130 x 1



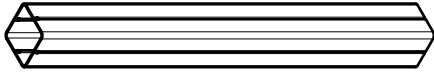
	VR6X18	4
	MI26N	2
	VTH6X30A	4
	VCBHCM6*25I	8
	VEBM6	8
	M10440N	4



U3853A



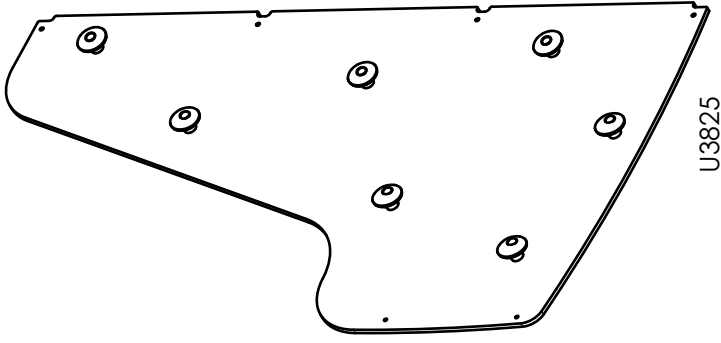
LGP3835A



MI0001N

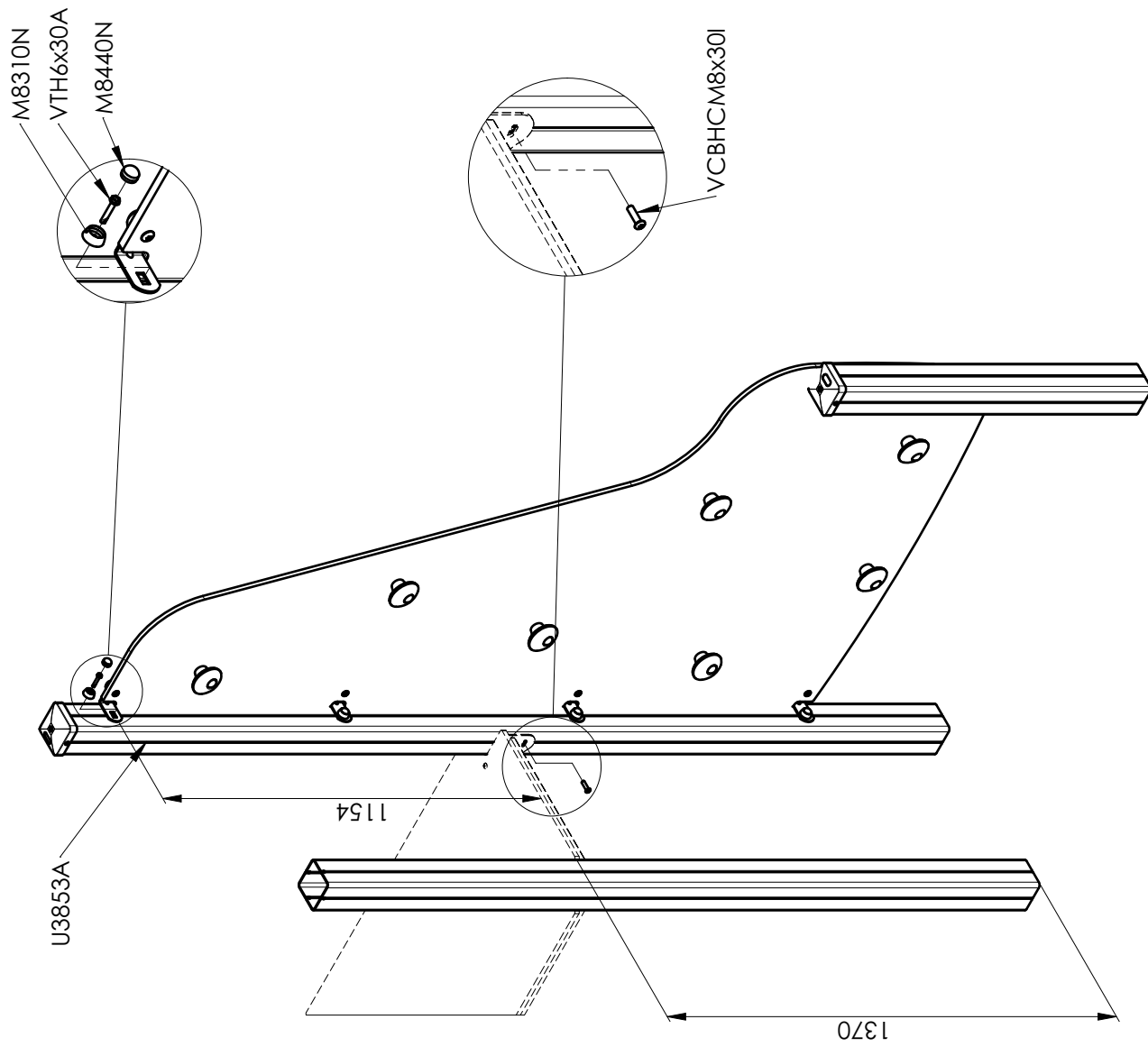


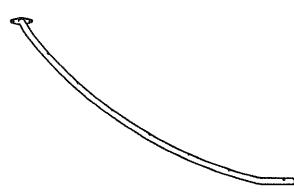
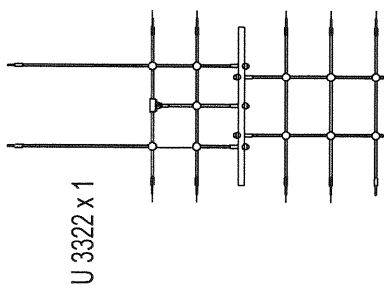
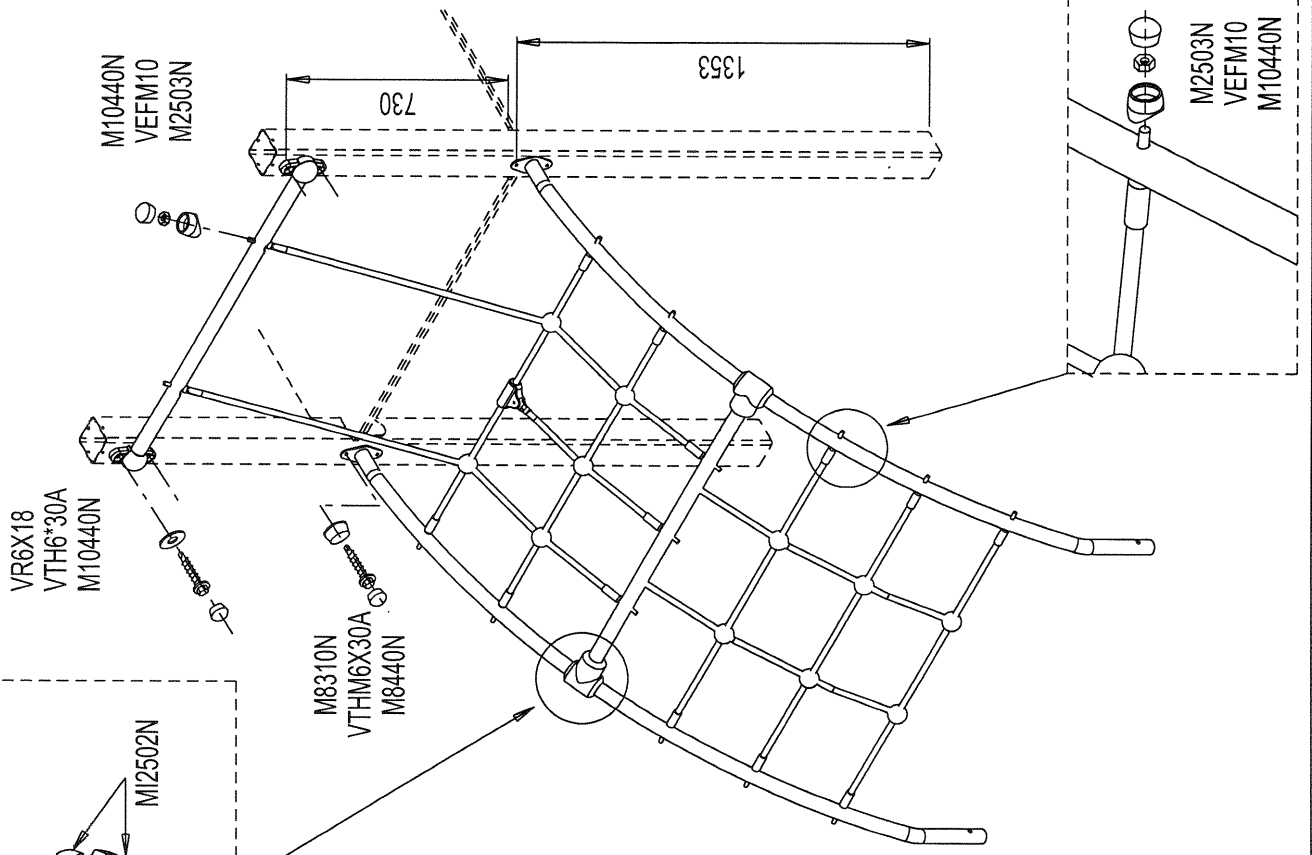
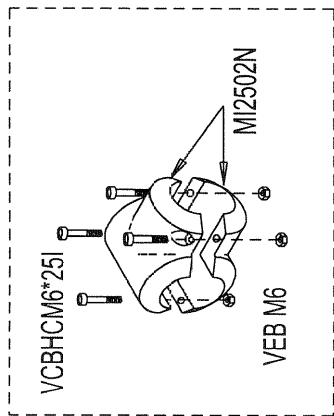
P13



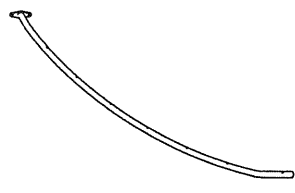
U3825

Réf	Qté
LGP3835A	1
M8310N	6
M8440N	6
M10310N	4
M10440N	4
MI0001N	2
P13	4
RRAV6	4
U3825	1
U3853A	1
VCBHCM8x30I	1
VCBHCM10x30I	4
VEFM10	4
VTH6x30A	6

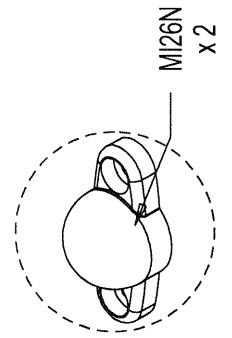
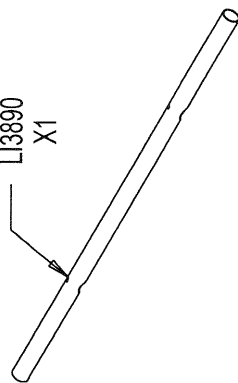




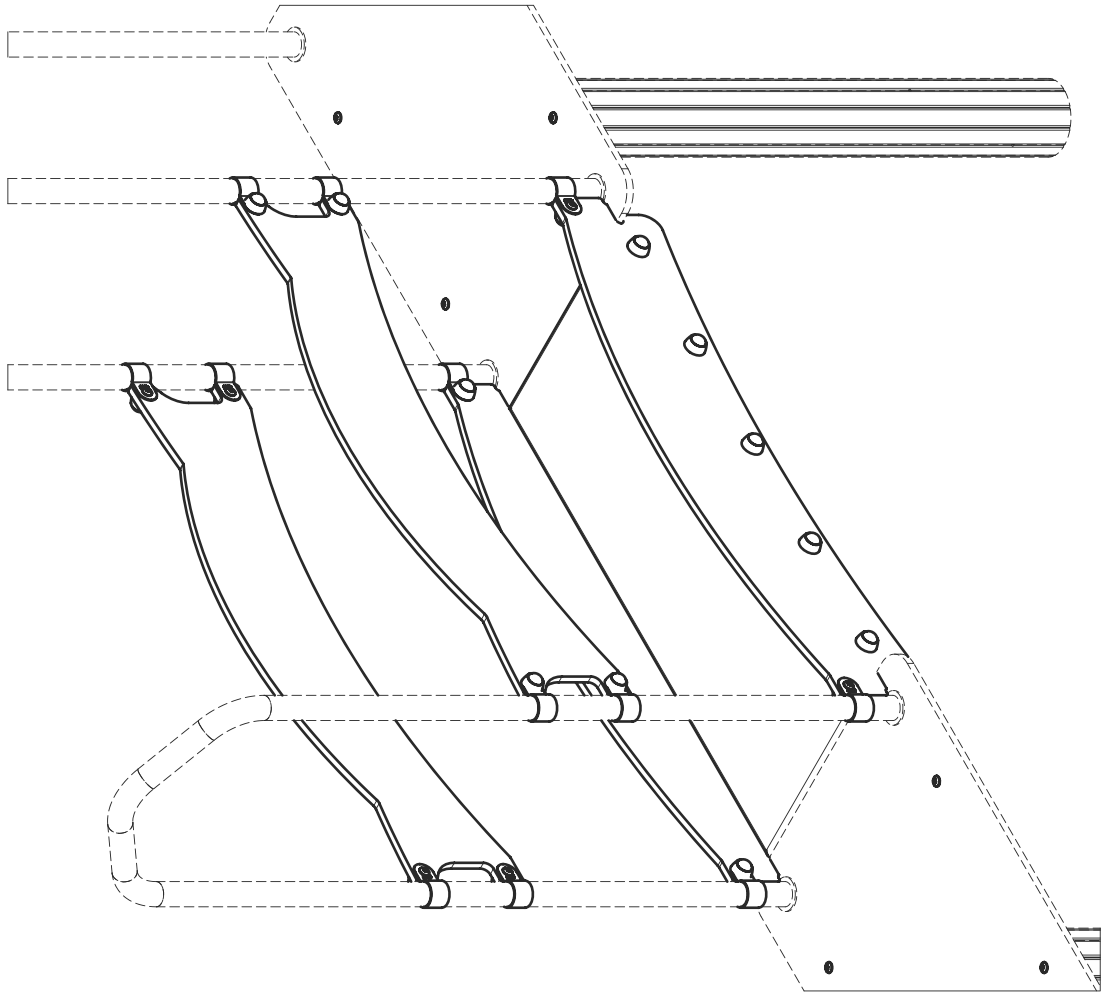
LI 33138 x 1



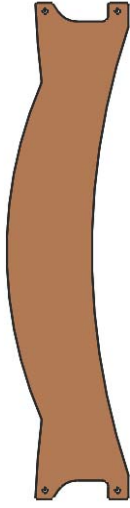
LI 3890
X1



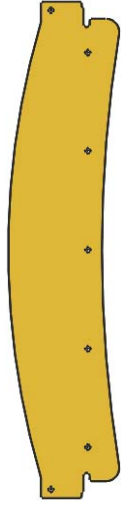
	M8440N	4
	VR6X18	4
	VCBHC6*25I	8
	VEBM6	8
	MI2503N	12
	M10440N	16
	M8310N	4
	VEFM10	12
	VTH6X30A	8



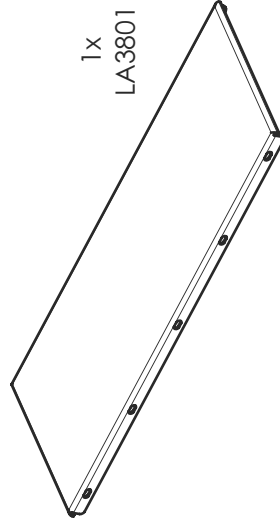
2x
ET3807OF



2x
ET3853J

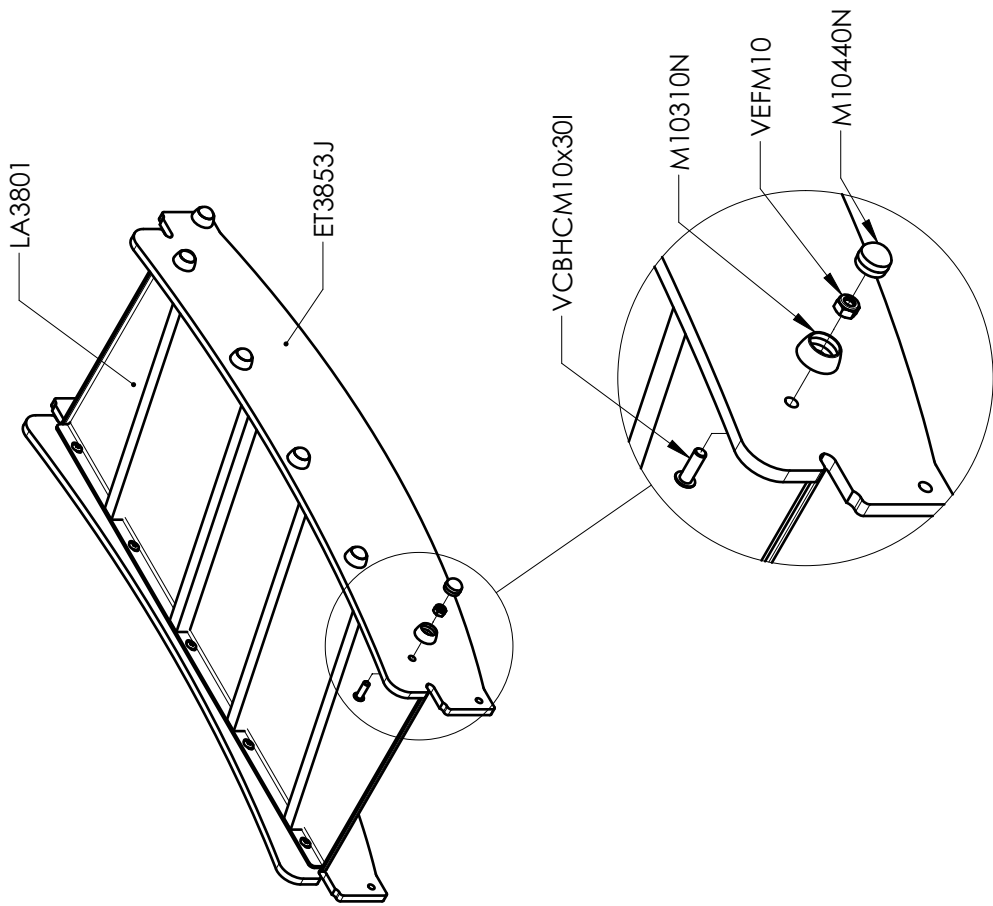


1x
LA3801

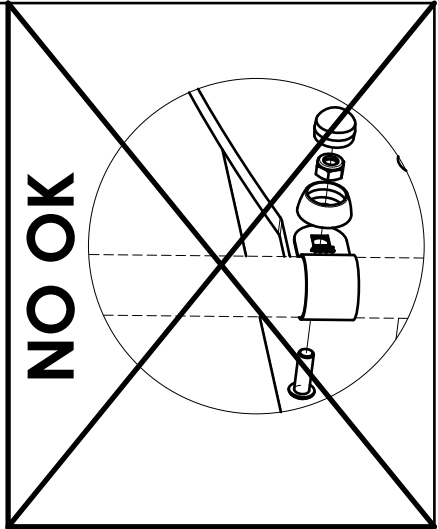
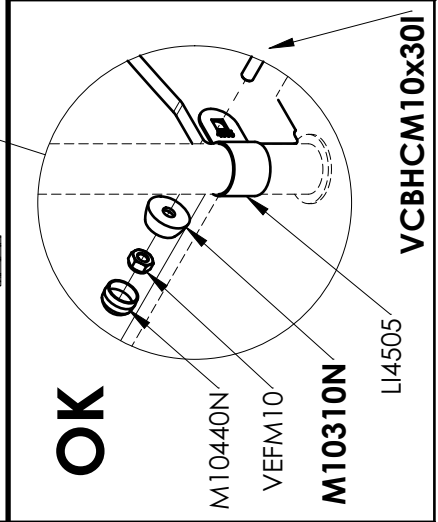
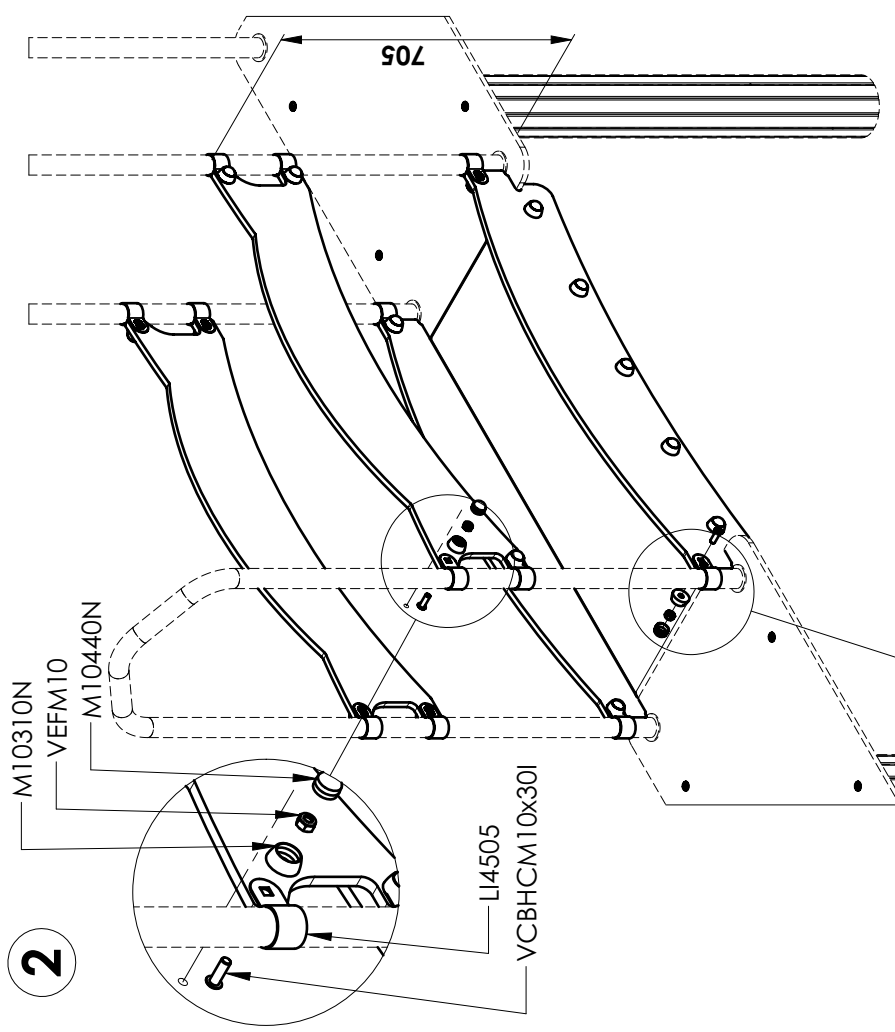


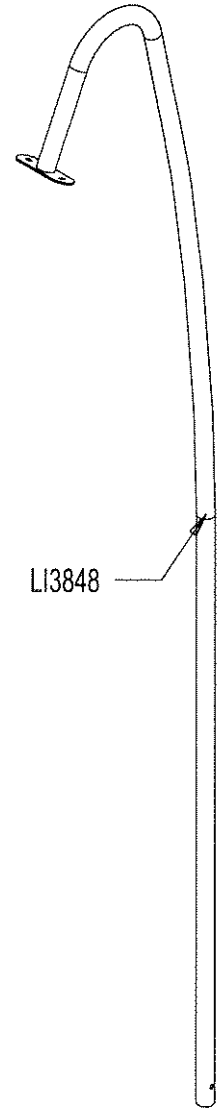
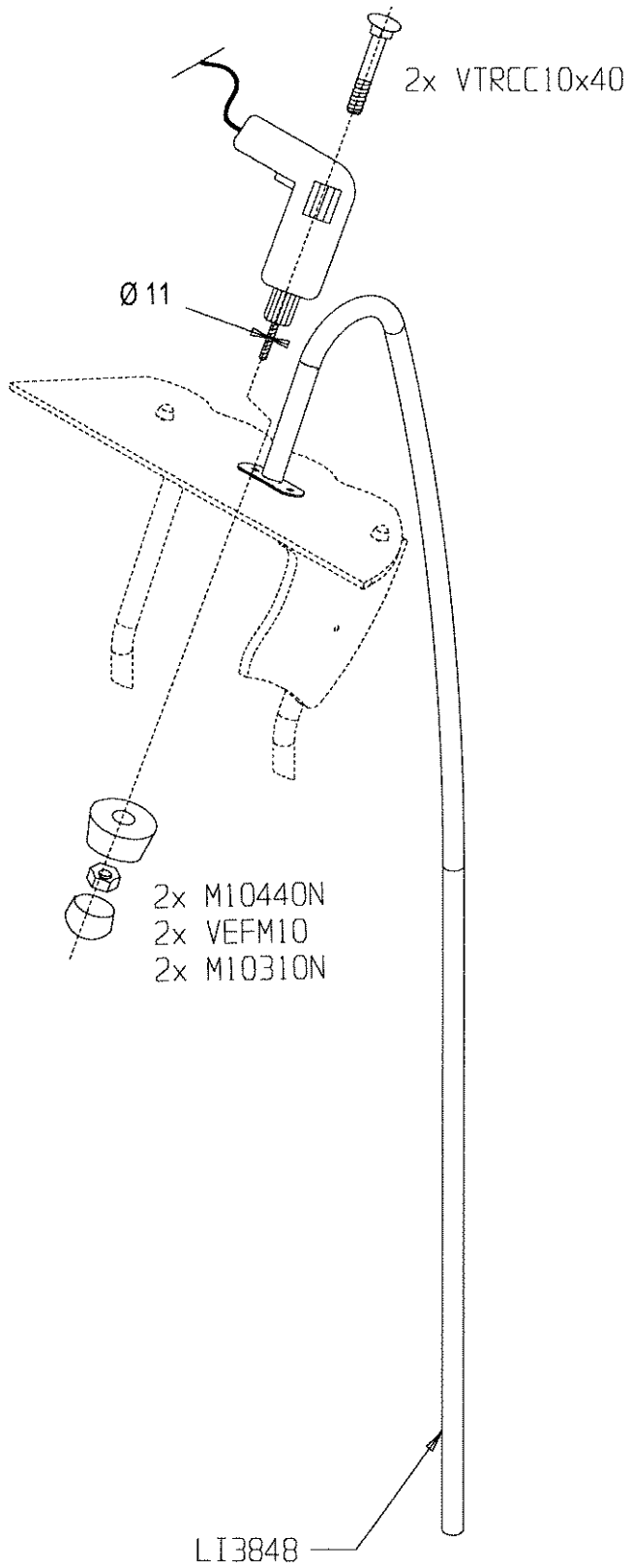
ET3807OF	2
ET3853J	2
LA3801	1
LI4505	12
M10310N	22
M10440N	22
VCBHC10x30I	22
VEFM10	22

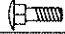



1

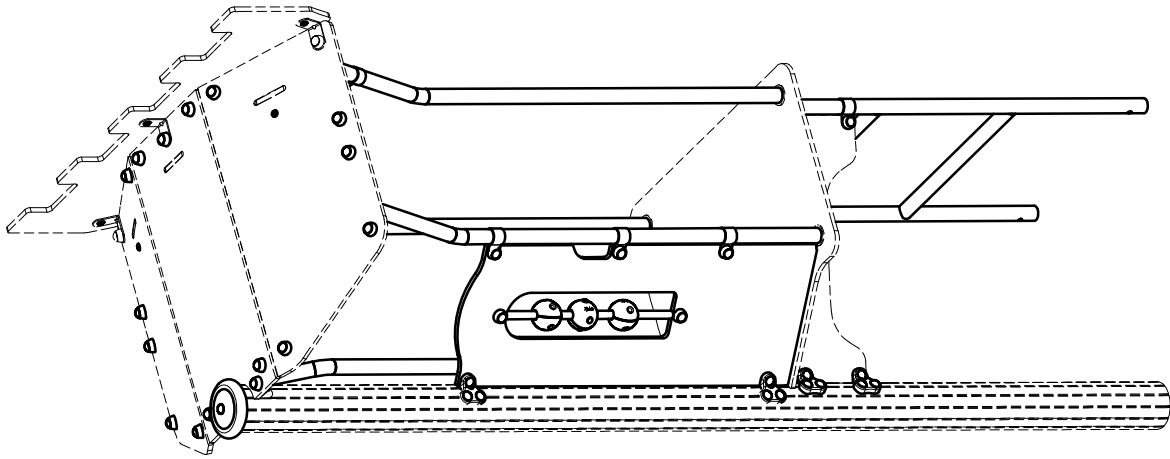


2

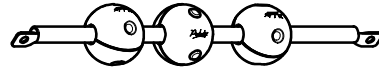
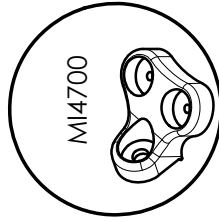
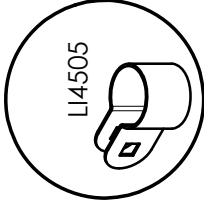
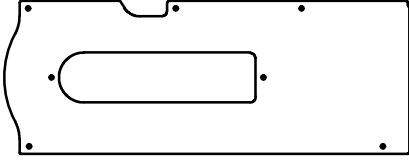




	VTRCC 10x40	2
	VEFM10	2
	M10310N	2
	M10440N	2

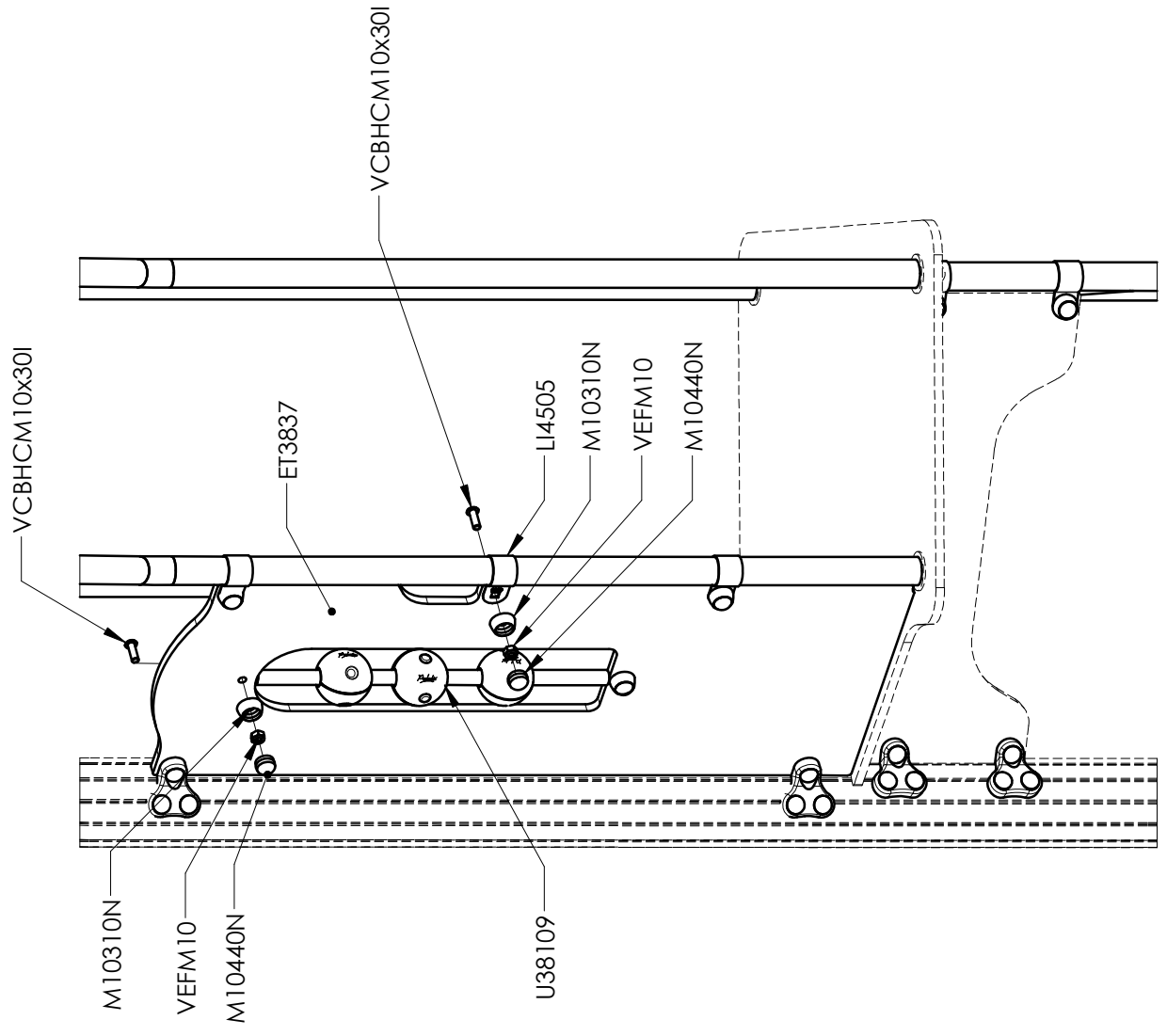


ET3837



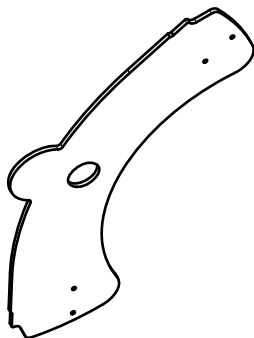
U38109

Réf	Qté
ET3837OF	1
LI4505	3
M10310N	5
M10440N	11
MI4700	2
U38109	1
VCBHCM10x30I	7
VEFM10	7
VTH6x30A	4



LGP3806A

1x
ET3831



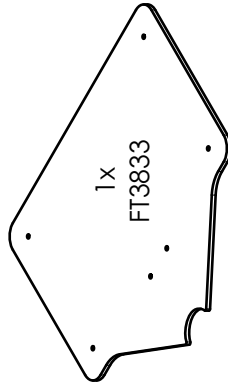
1x
LP3800N



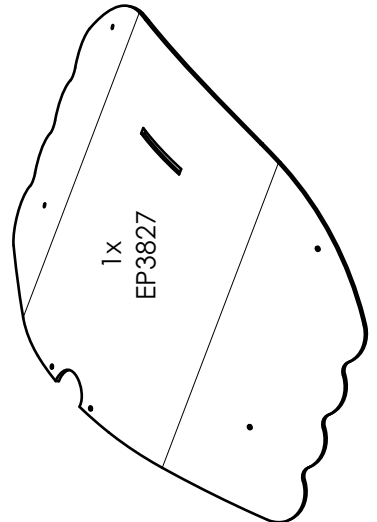
1x
ET3832



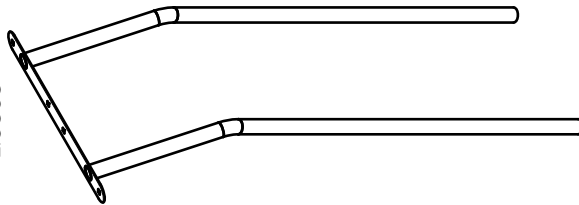
1x
FT3833



1x
EP3827



2x
LI3858



1x
LG4412



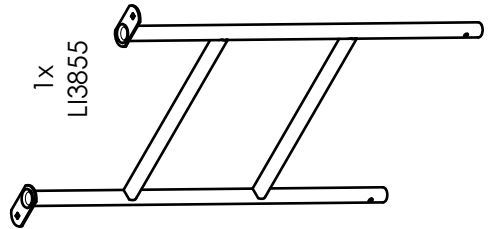
1x
MI025N



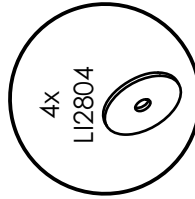
4x
MI4700



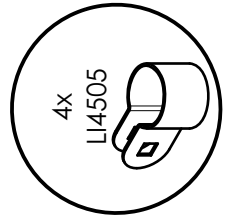
1x
LI3855



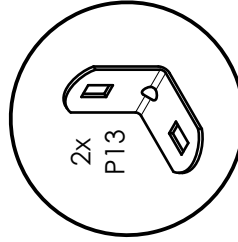
4x
LI2804



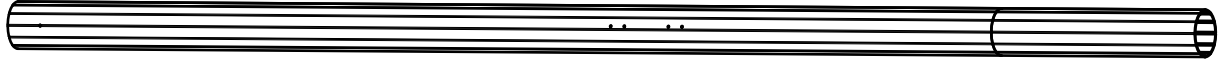
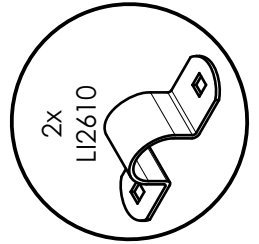
4x
LI4505



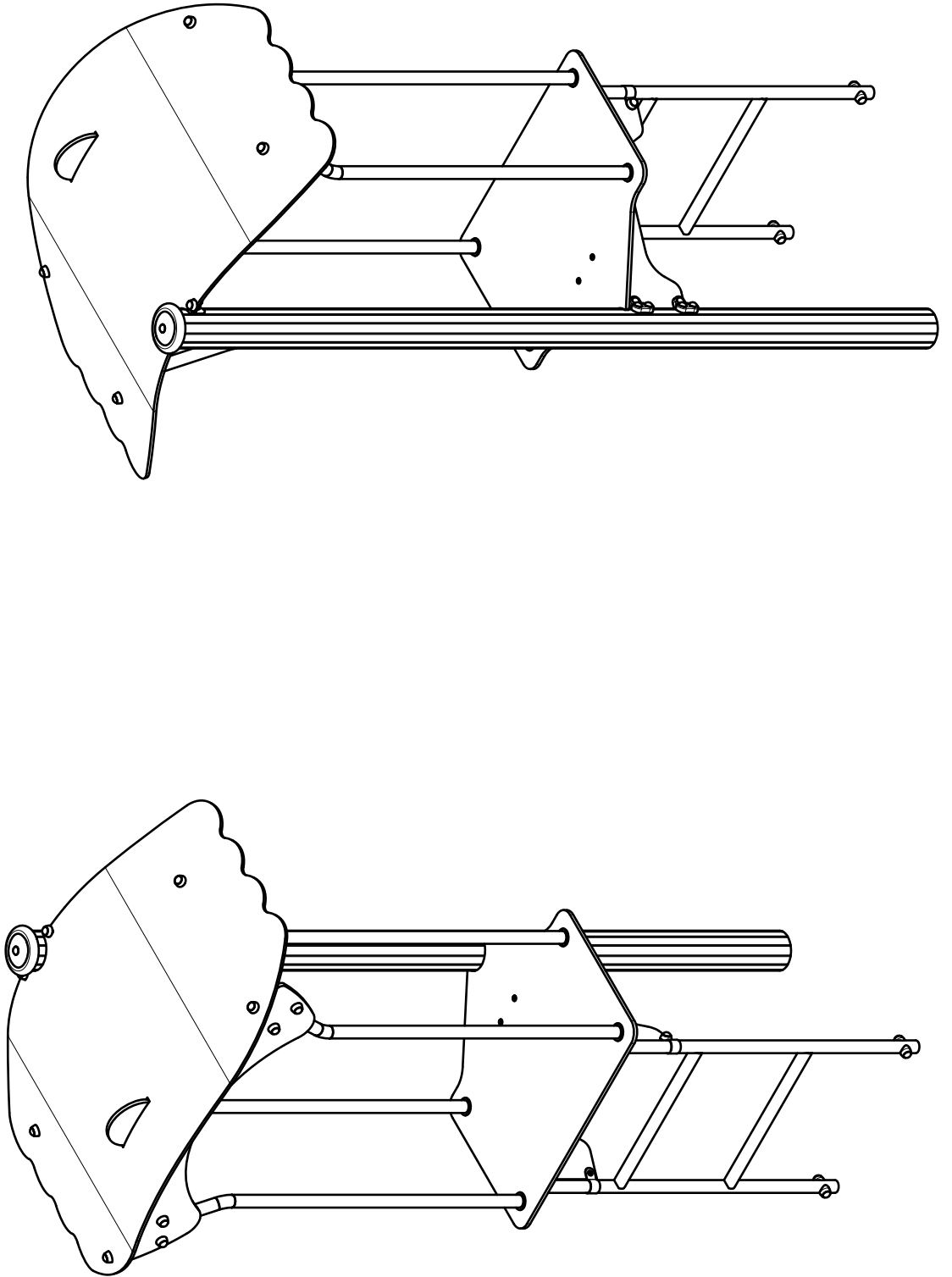
2x
P13

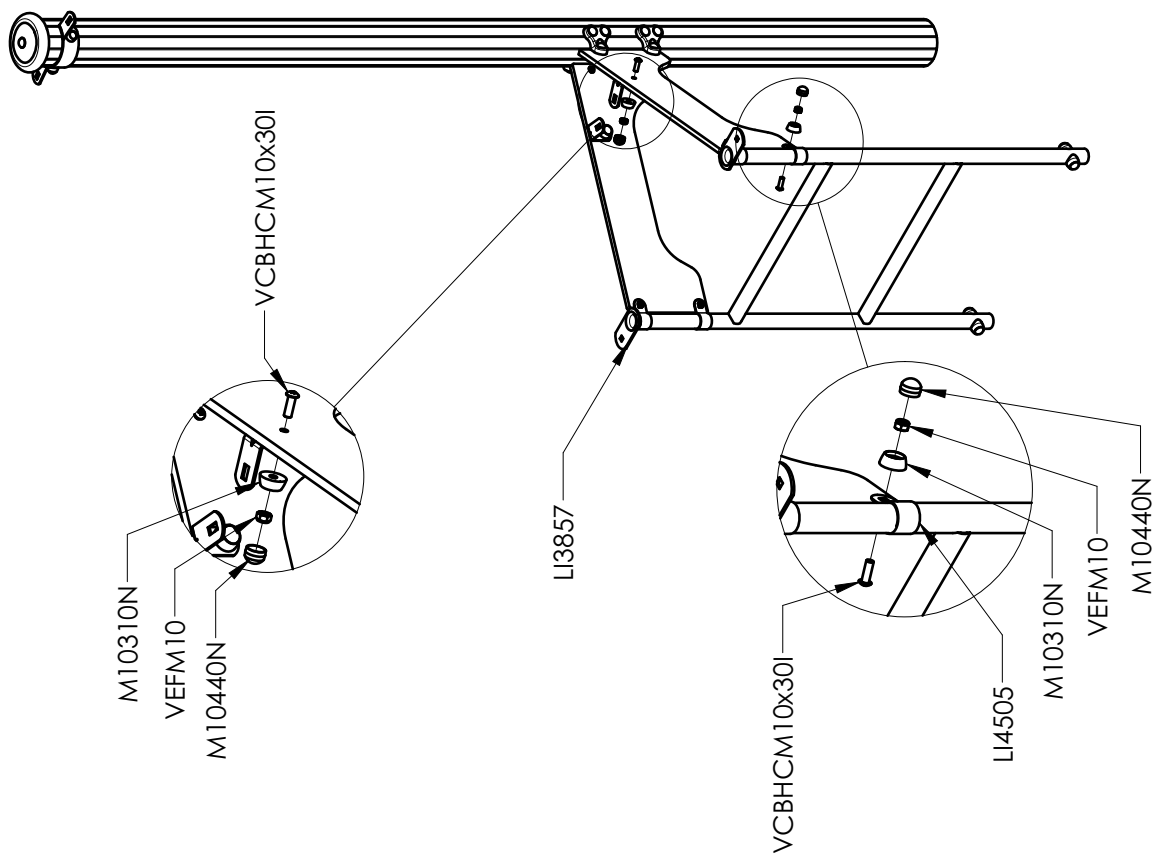
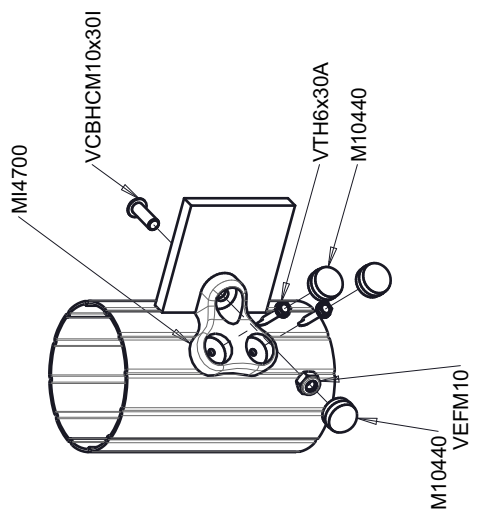
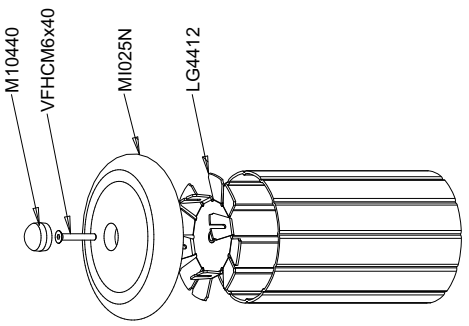
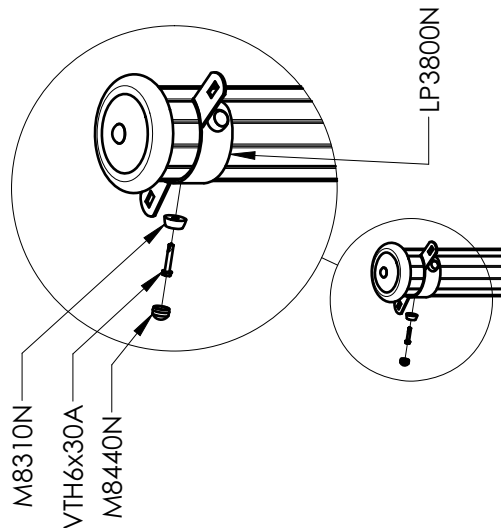


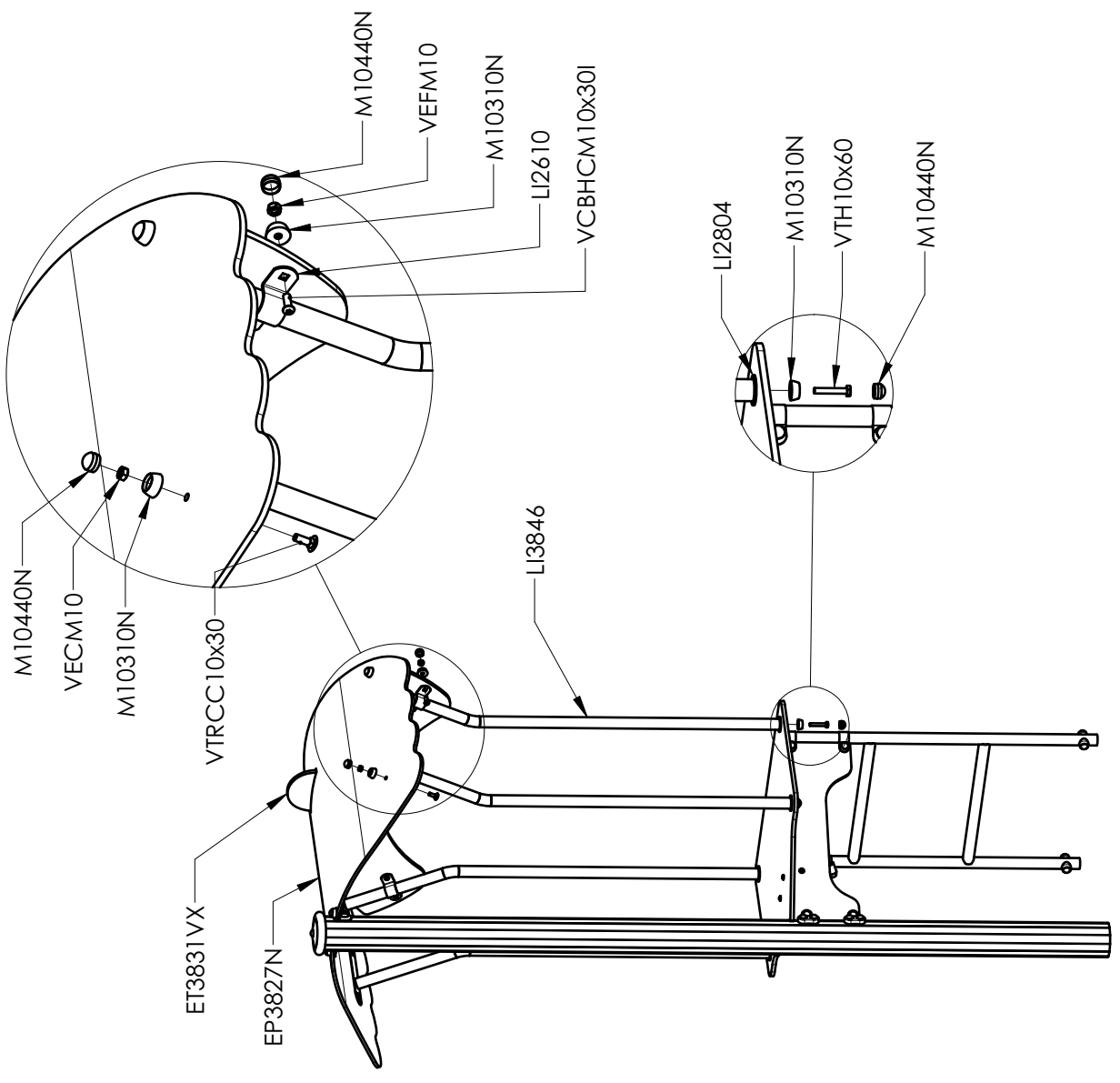
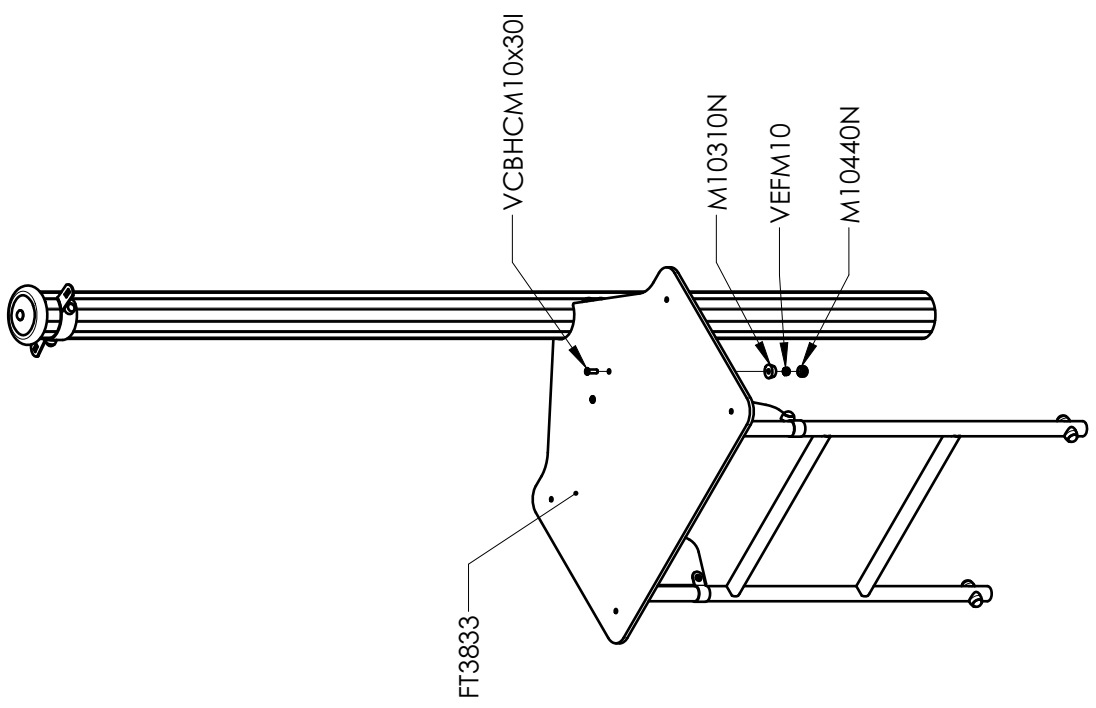
2x
LI2610

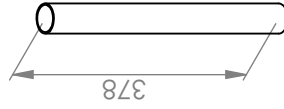
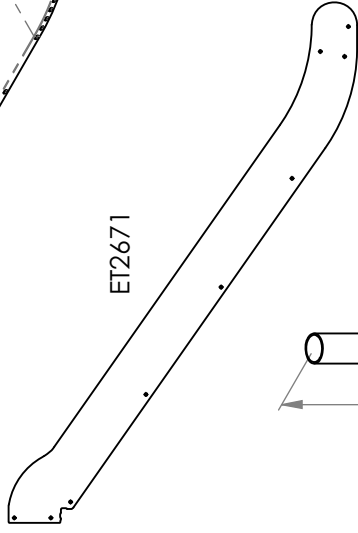
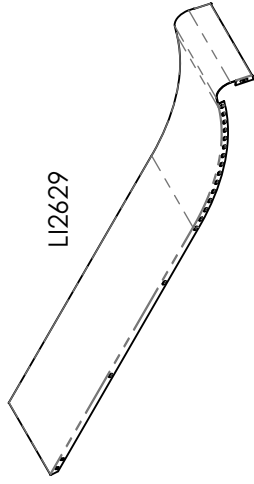
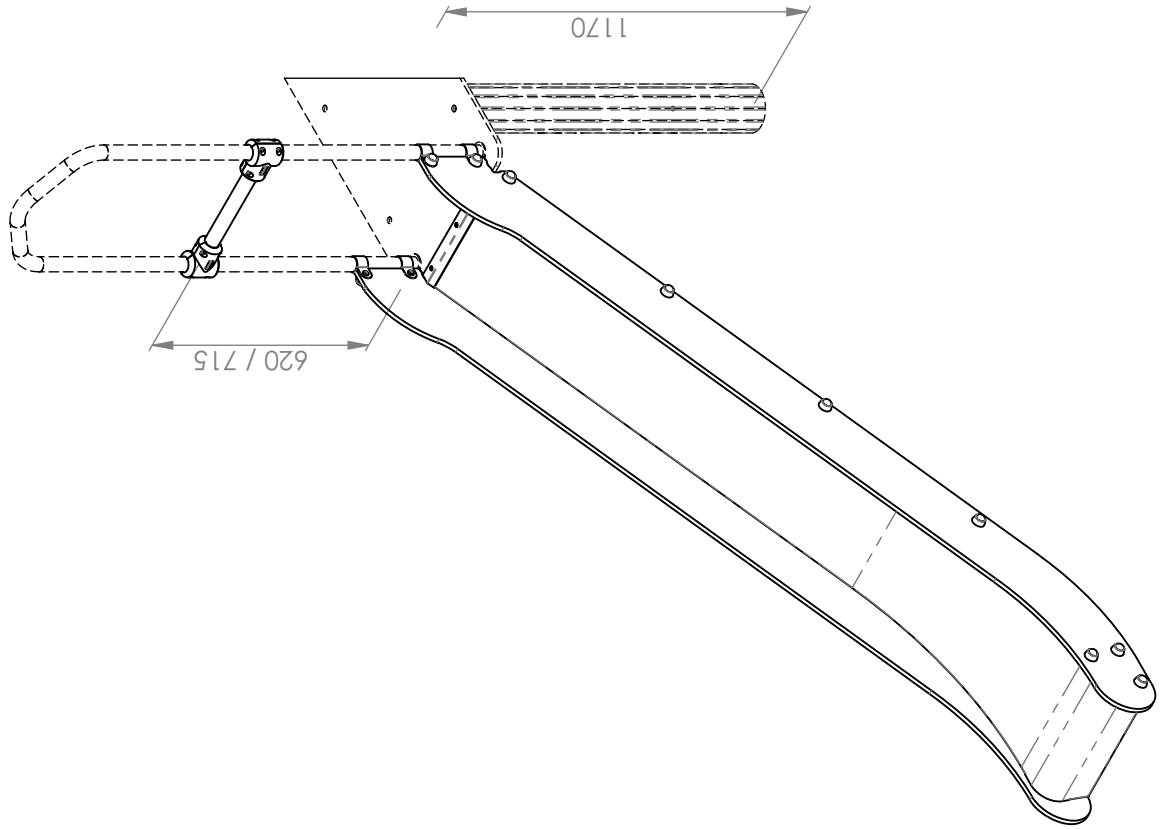


REF	QTE
EP3827N	1
ET3831VX	1
ET3832J	2
FT3833	1
LG4412	1
LG4502	2
LGP3806A	1
LI2610	2
LI2804	4
LI3855	1
LI3858	2
LI4505	4
LP3800N	1
M8310N	2
M8440N	2
M10310N	22
M10440N	39
MI025N	1
MI2503N	4
MI4700	4
P13	2
VCBHCMI0x30I	16
VECM10	6
VEFM10	18
VFHCM6x40	1
VTH6x30A	10
VTH10x60	6
VTRCC10x30	6









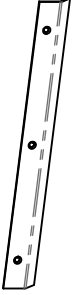
MI2502N



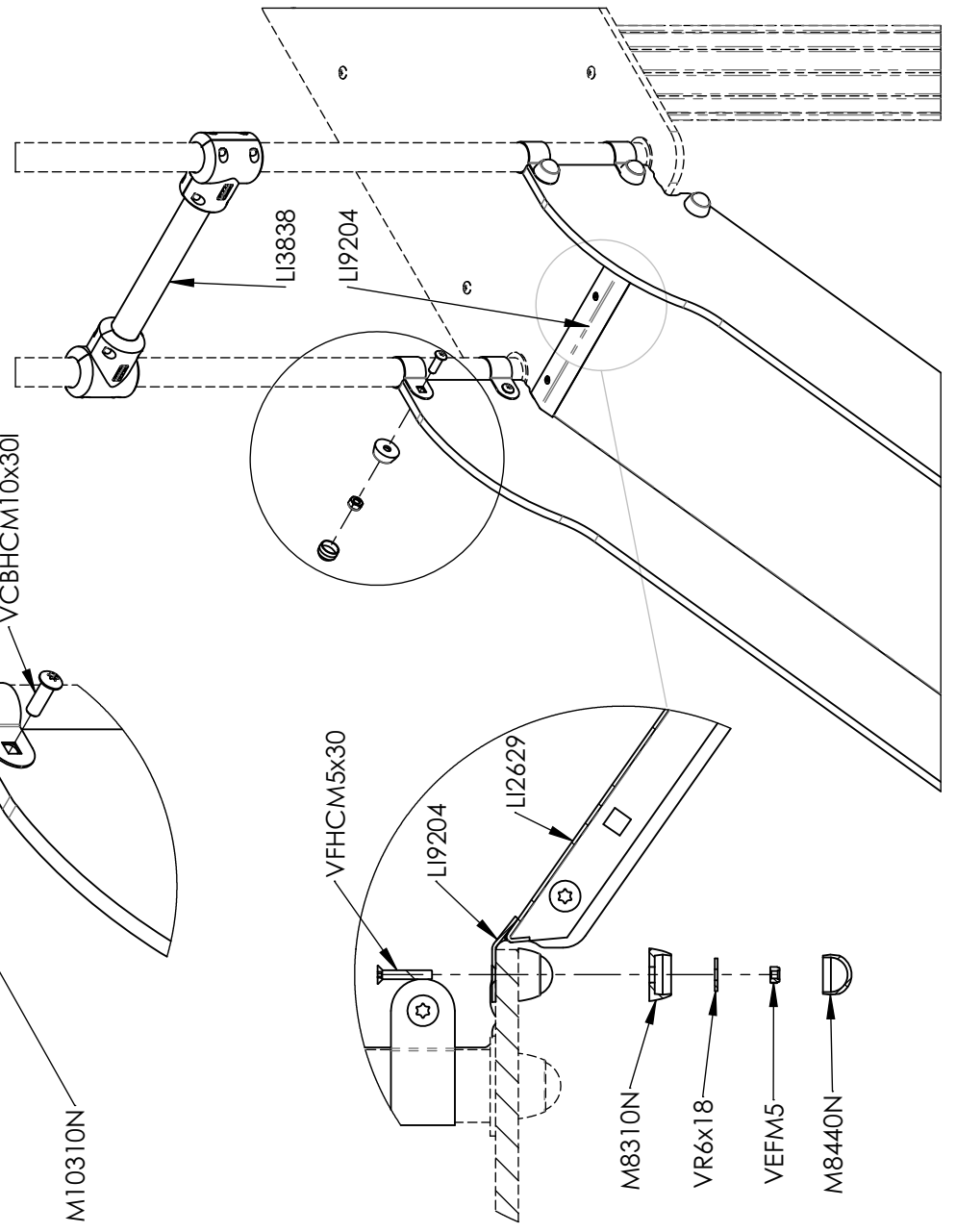
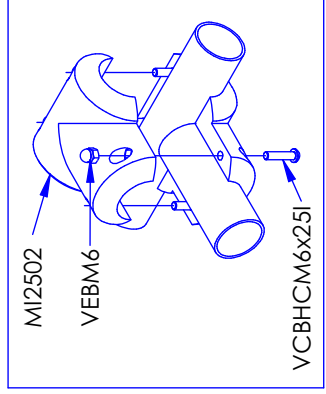
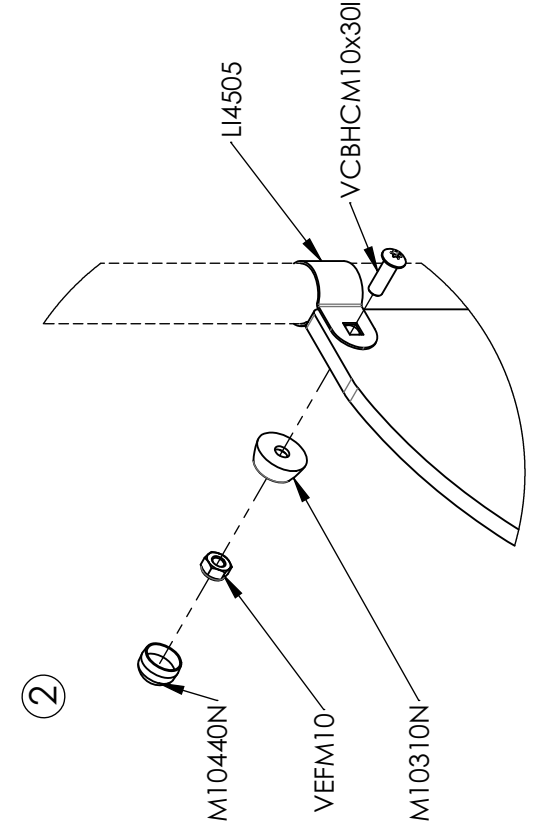
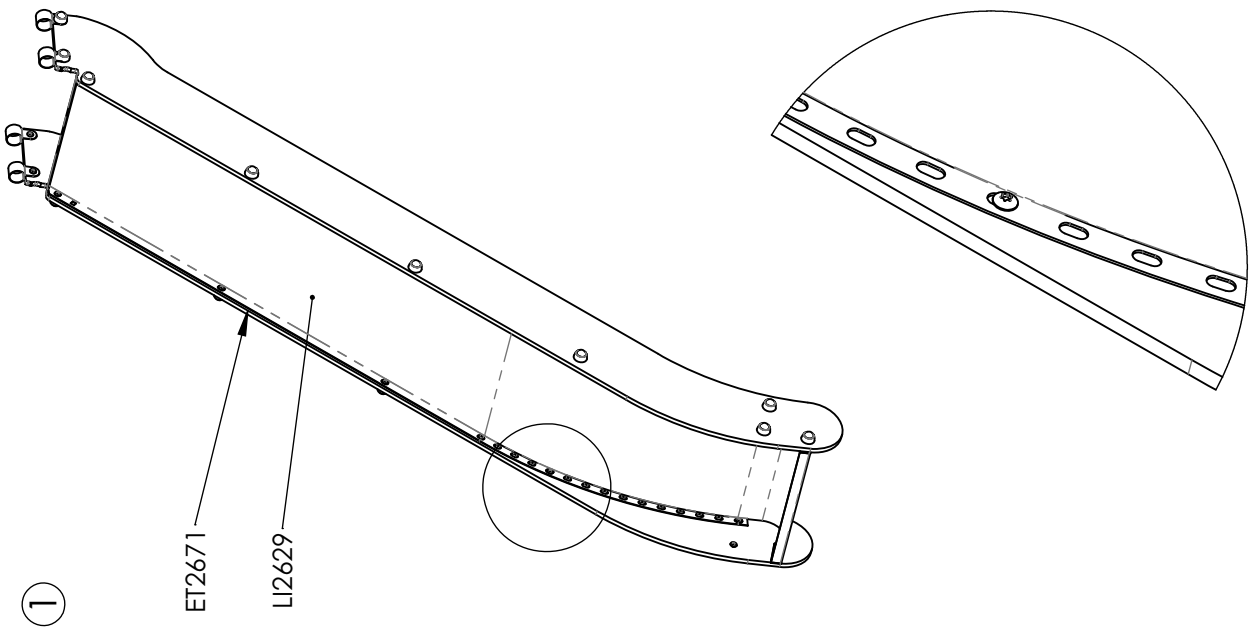
LI4505



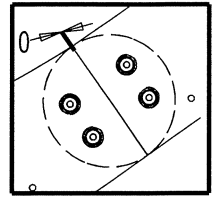
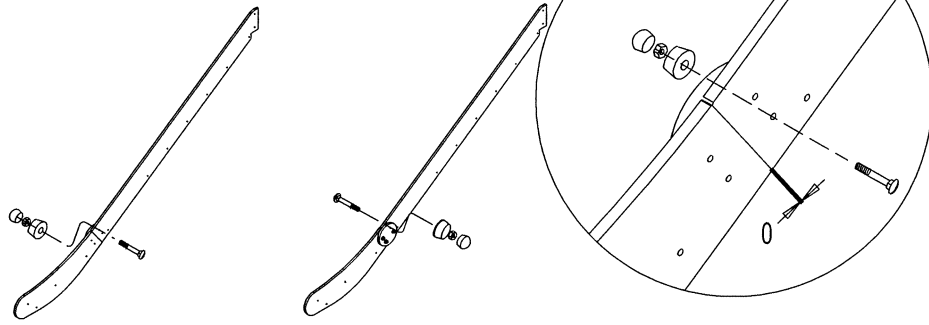
LI9204



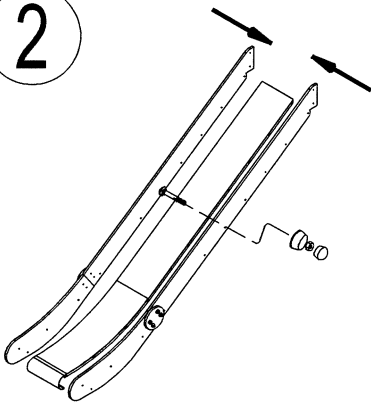
Réf	Qté
ET2671J	2
LI2629	1
LI3838	1
LI9204	1
M10310N	16
M10440N	16
MI2502N	4
VCBHC6M6x25I	8
VCBHC6M10x30I	16
VEFM5	3
VEFM10	16
VEBM6	8
M8310N	3
M8440N	3
LI4505	4
VFHCM5x30	3
VR6x18	3



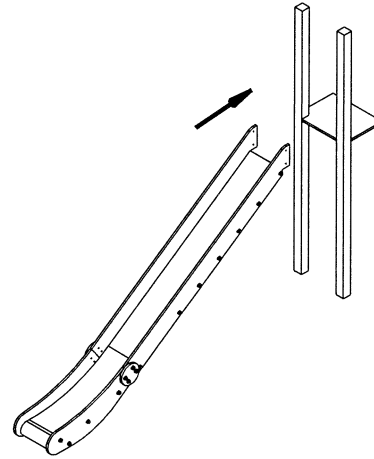
1



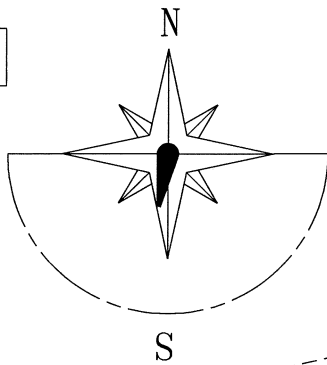
2



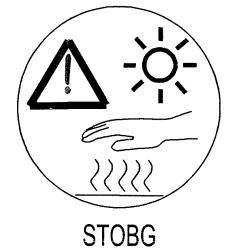
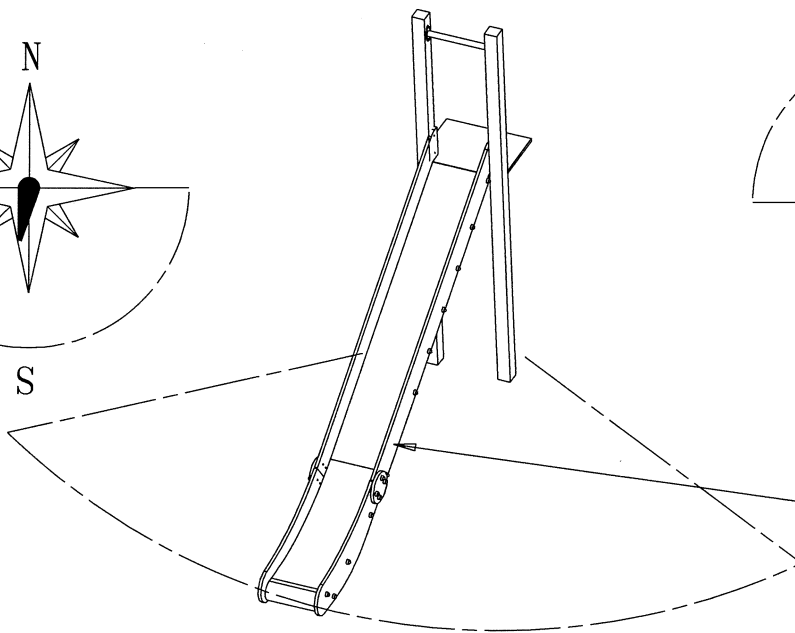
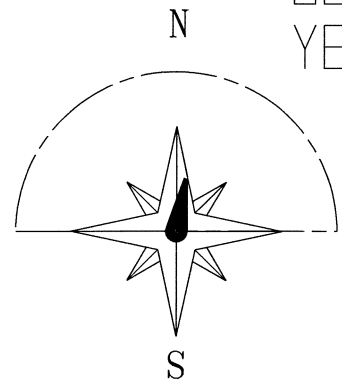
3



NON
NO

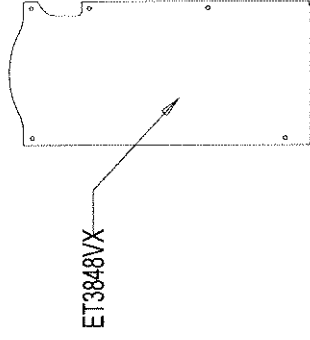


OUI
YES

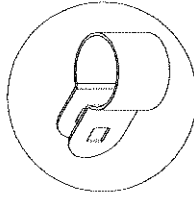


FR

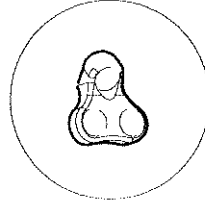
Il est recommandé de ne pas orienter la glissière Sud / Sud Ouest



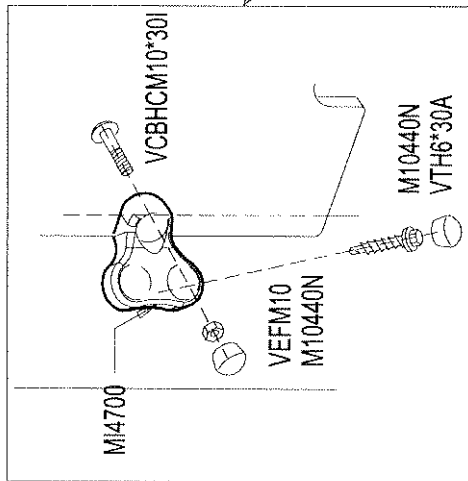
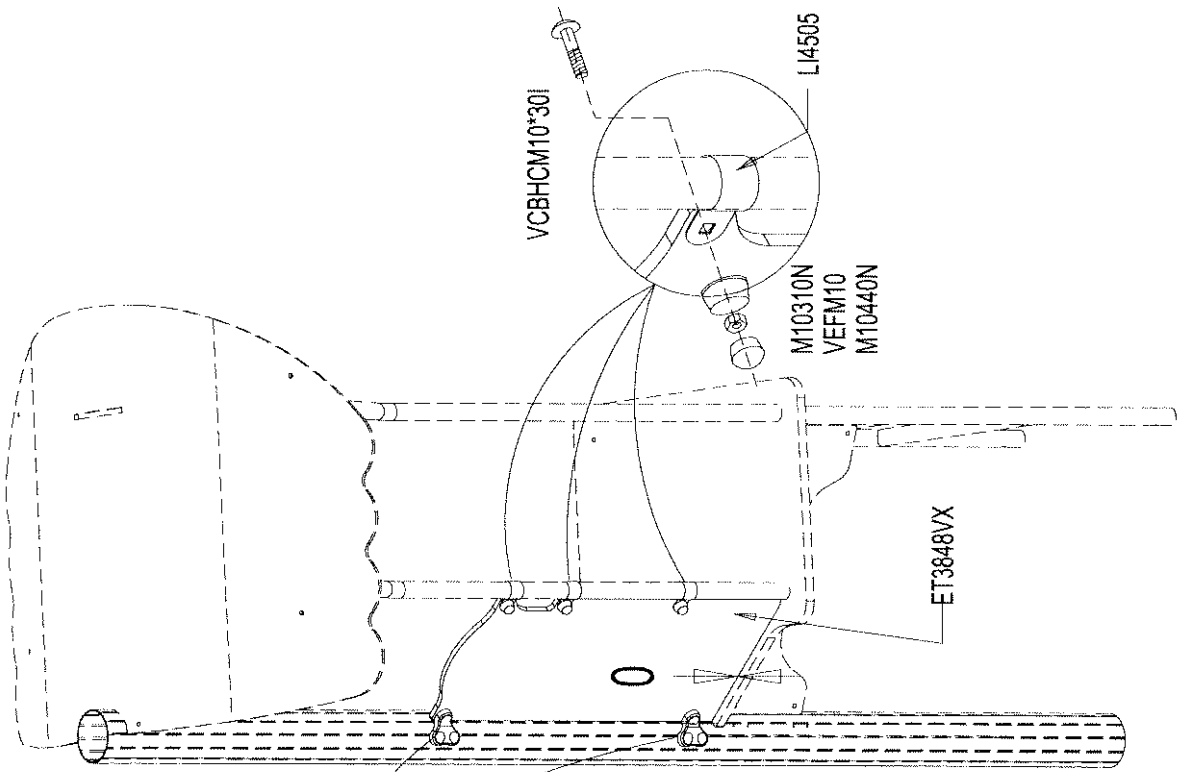
LI4505 x 3

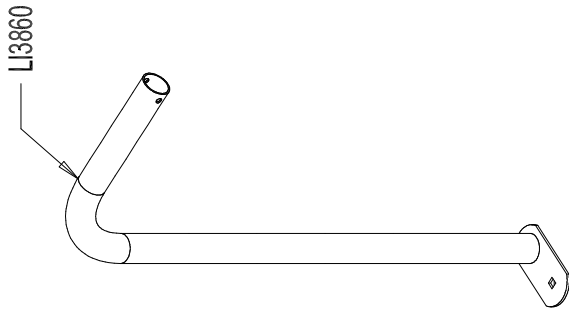
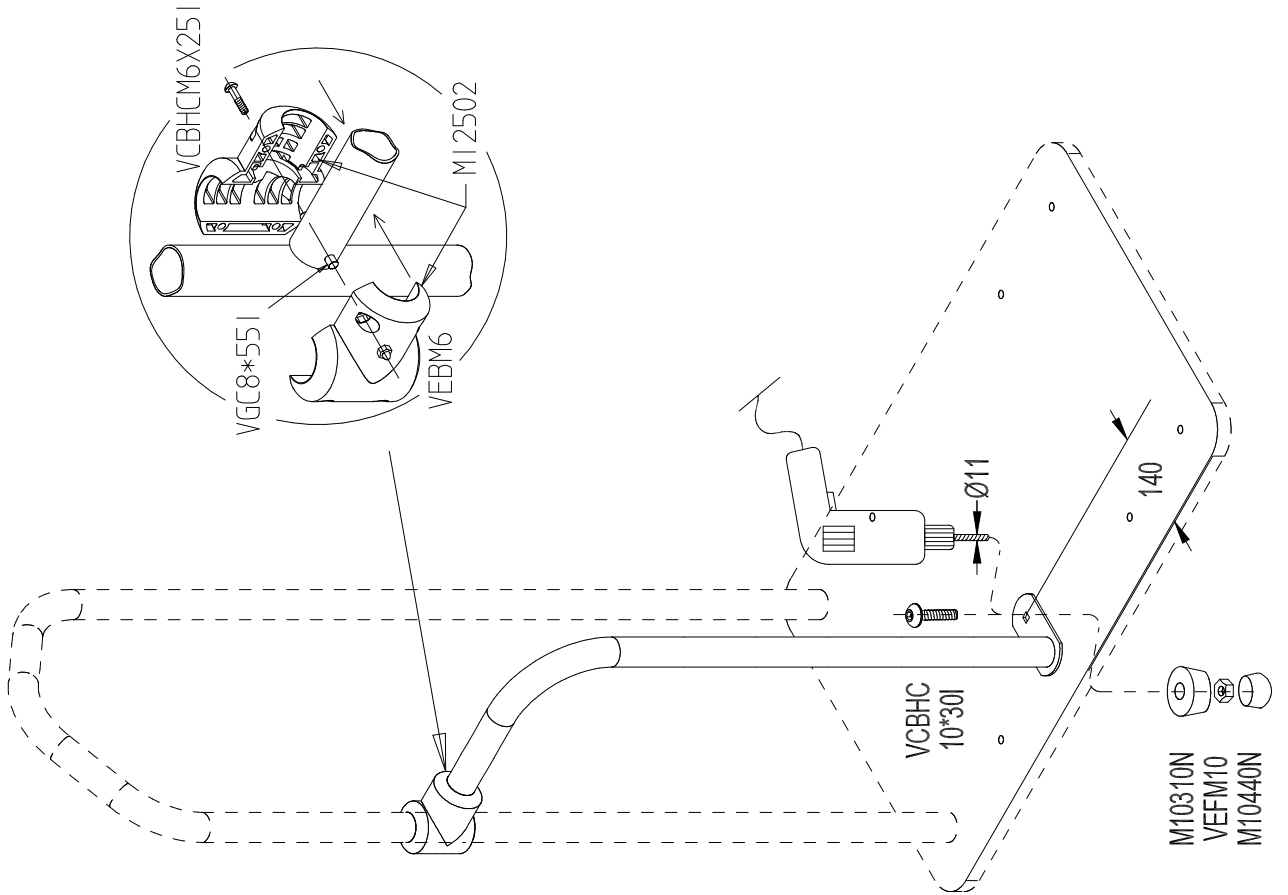


MI4700 X 2

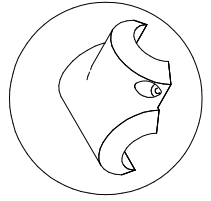


	VTH6*30A	4
	VEFM10	5
	VCBHCM10*30I	5
	M10310N	3
	M10440N	3





MI2502N x2



	VGC8*55I	1
	VEFM10	1
	M10310N	1
	M10440N	1
	VCBHC6*25I	4
	VEBM6	4
	VCBHC10*30I	1