

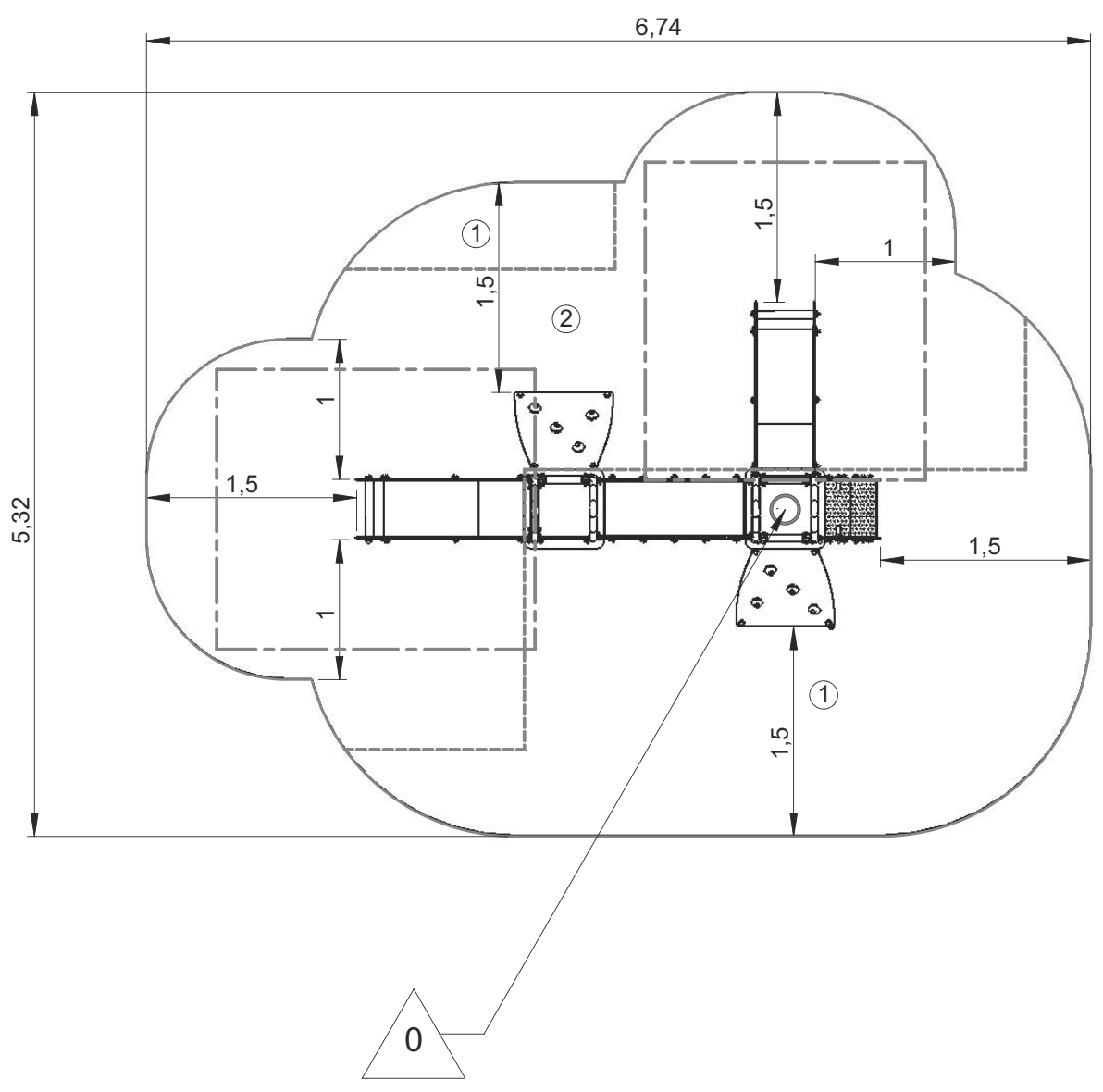
N°		m ²
1	0.6 m	12 m ²
2	1 m	15.5 m ²

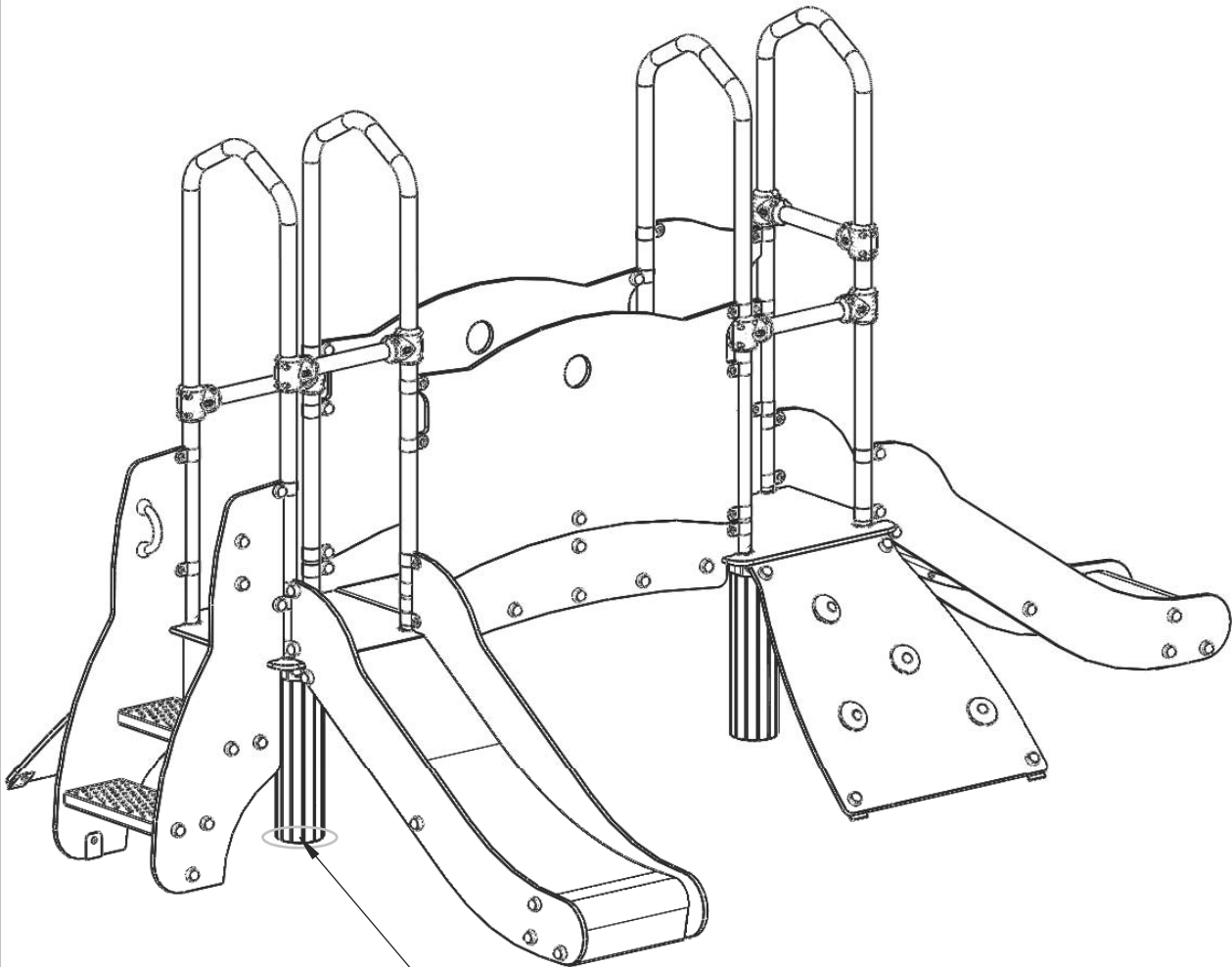
— Zone d'impact
Impact area
Area de impacto
Fallraum
Valzone

△ 0 Point de référence
Setting out point
Punto de referencia
Bezugspunkt
Referentiepunt

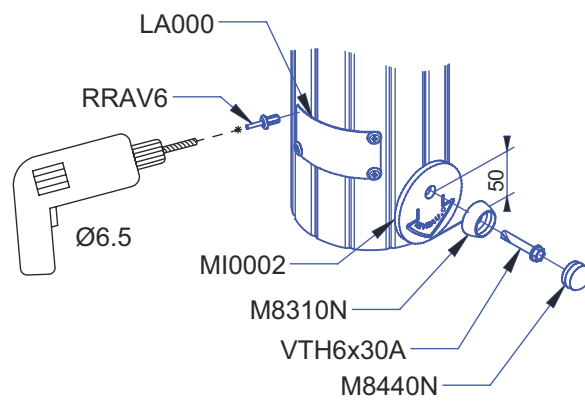
- - - Espace libre
Free space
Espacio libre
Freiraum
Vrije ruimte

EN1176-1:2017
EN1176-3:2017



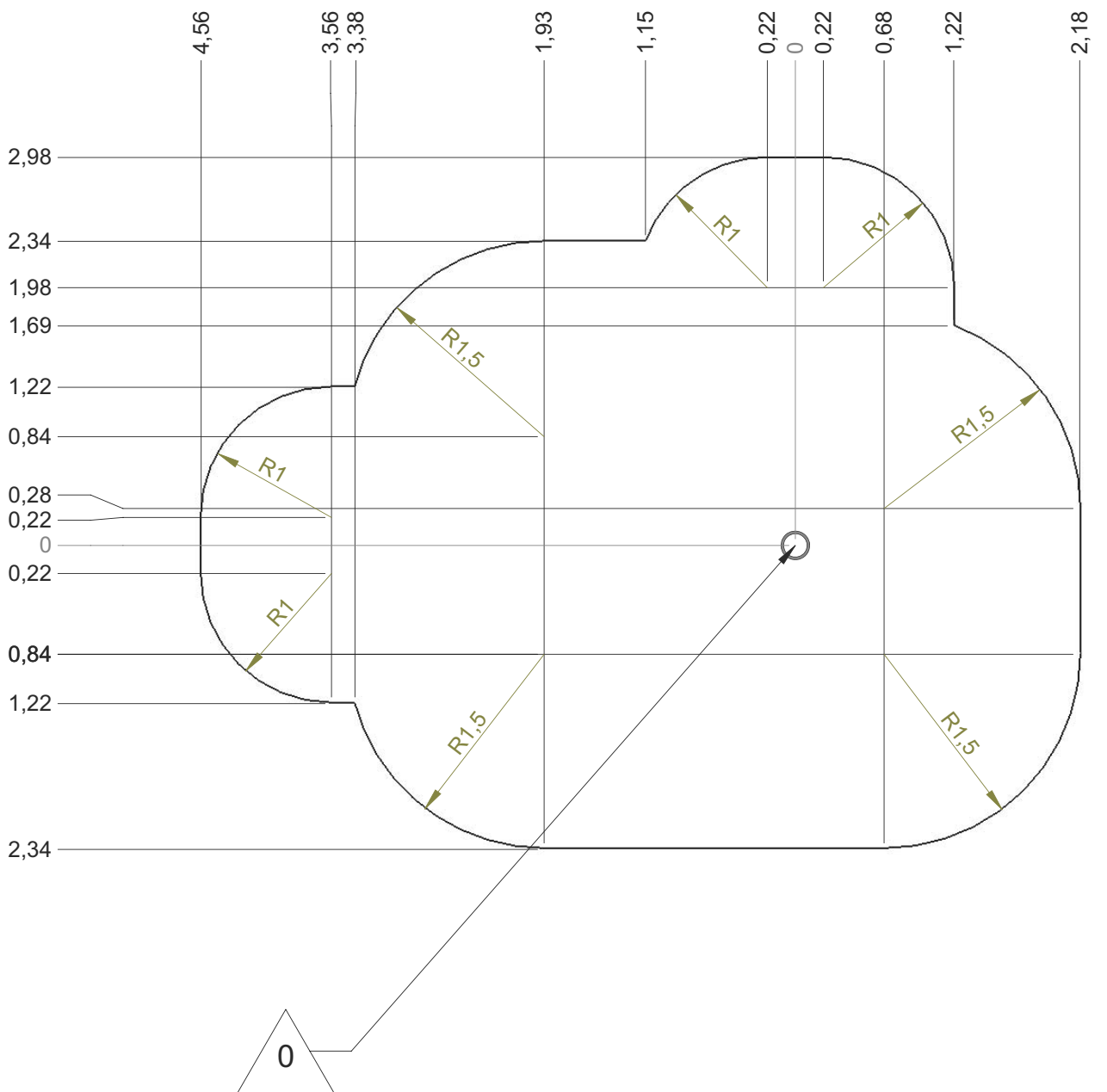


0



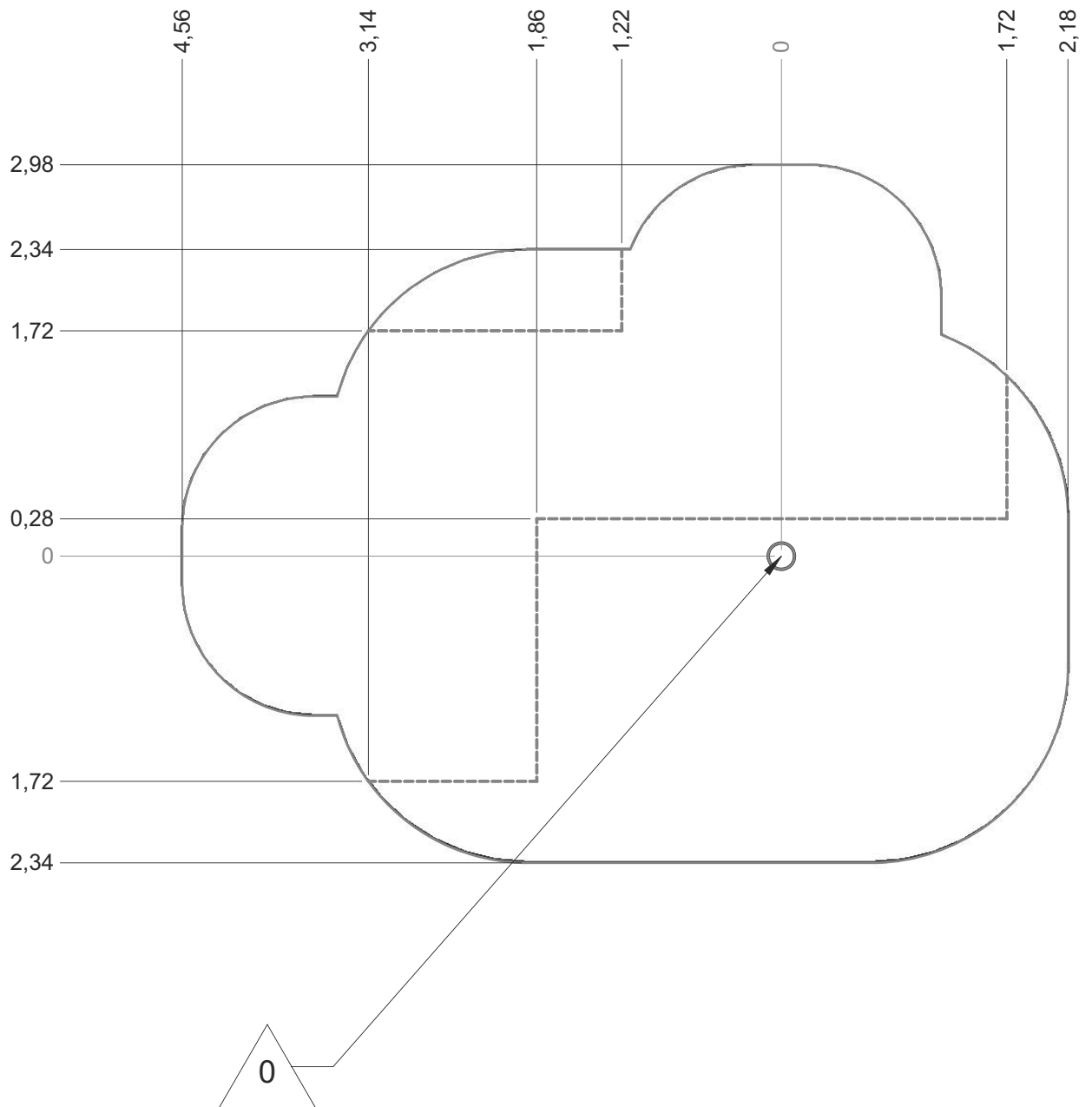
— Zone d'impact
 Impact area
 Area de impacto
 Fallraum
 Valzone

28 m²



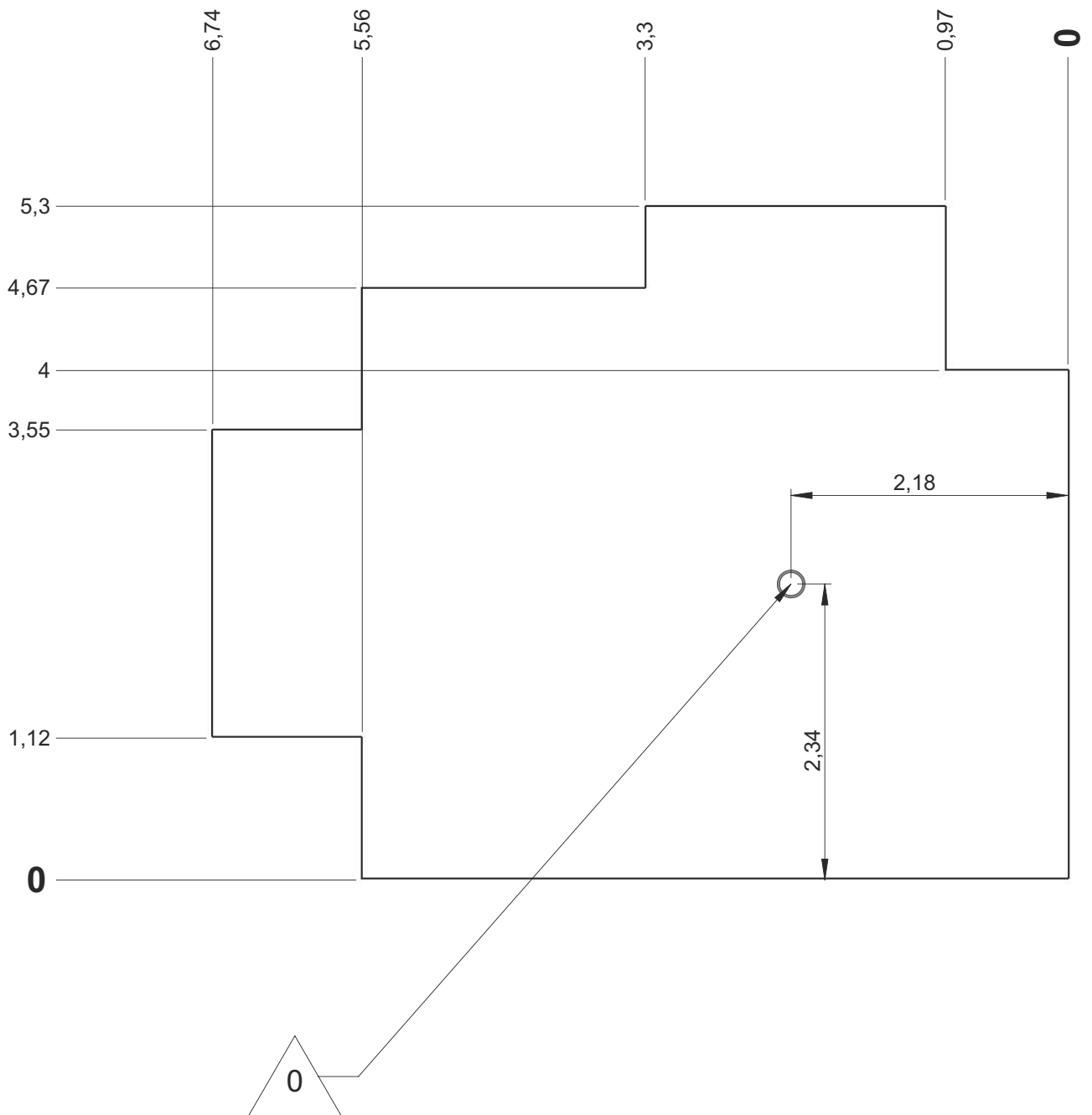
— Sol souple
 Wepour
 Caucho continuo
 Synthetischer fallschutz
 Gietvloer

28 m²



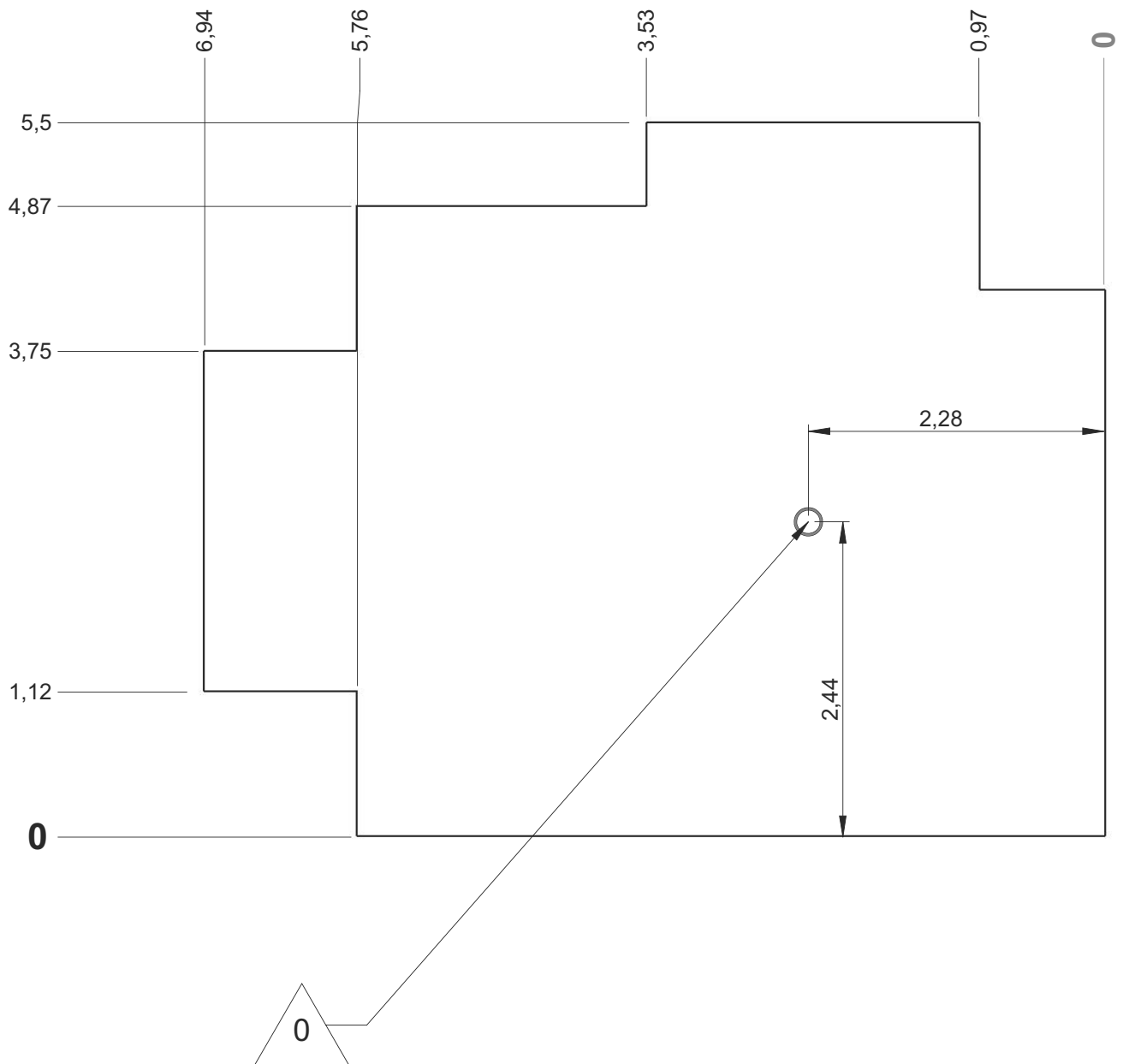
— Dalle béton
Concrete pad
Solera de hormigon
Beton bodenplatte
Betonnen bodemplaat

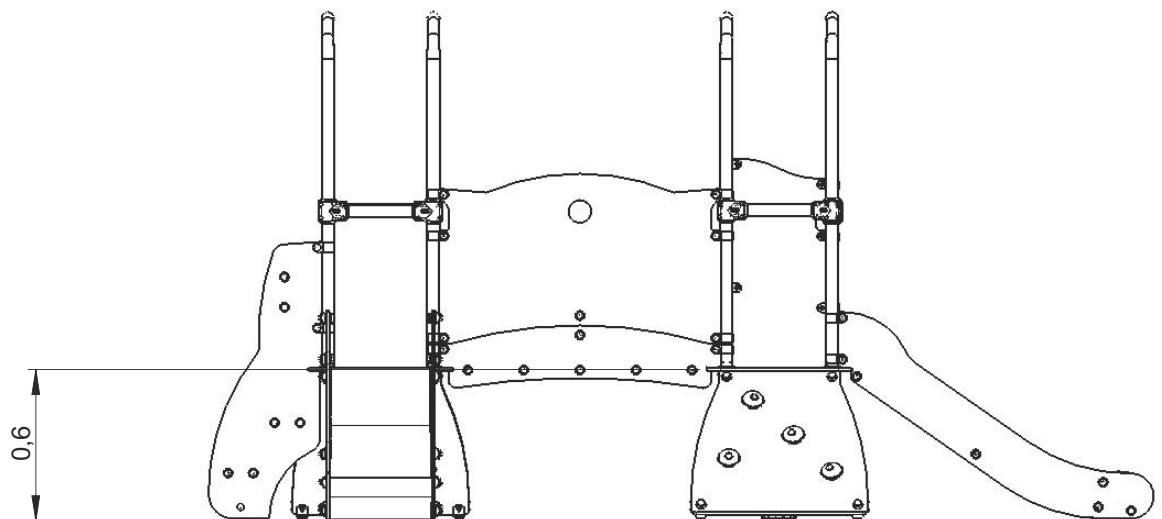
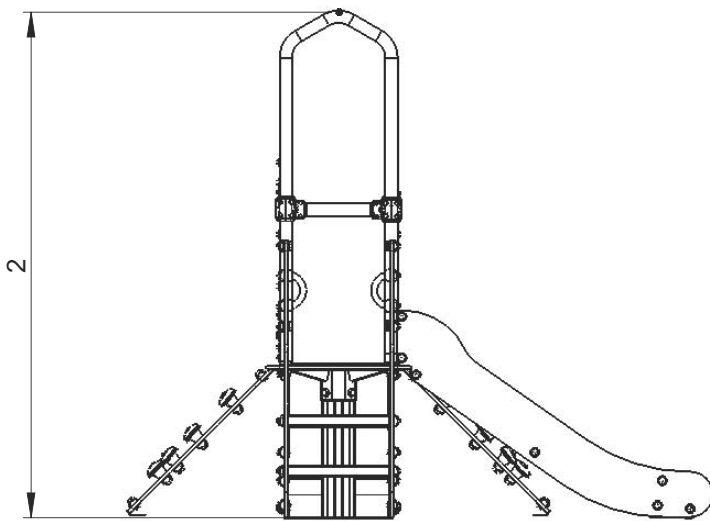
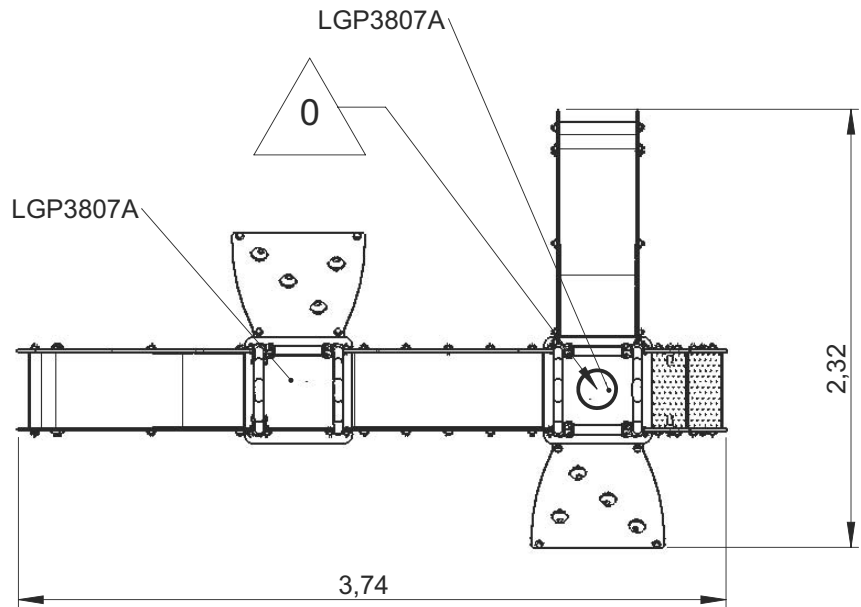
25 m
30 m²



— Sol fluent
 — Loos partucule material
 — Arenero
 — Loses Bodenmaterial
 — Los bodemmateriaal

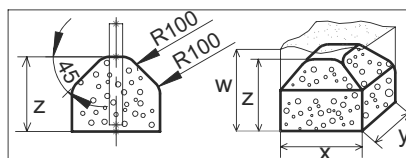
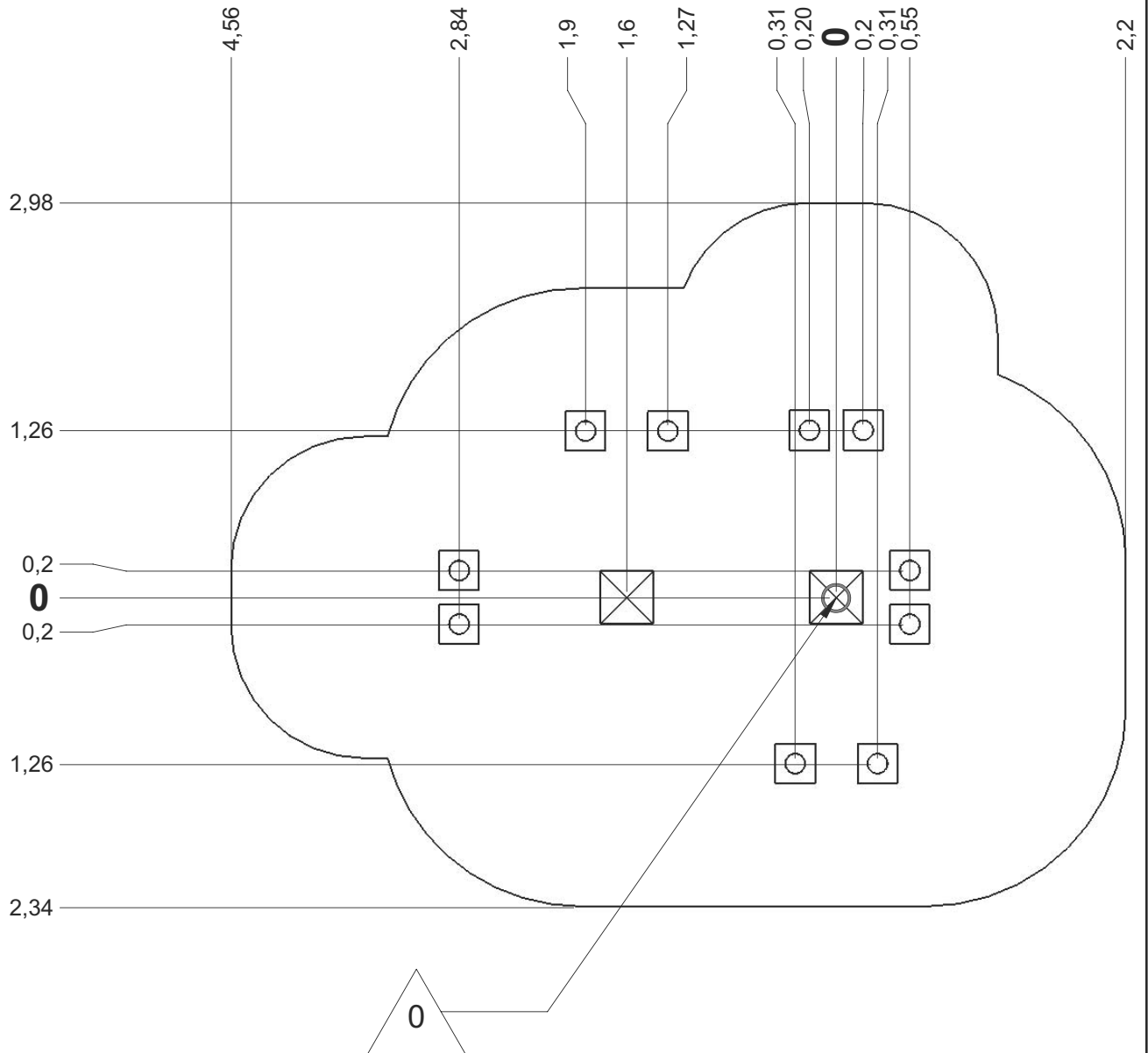
26 m
33 m²





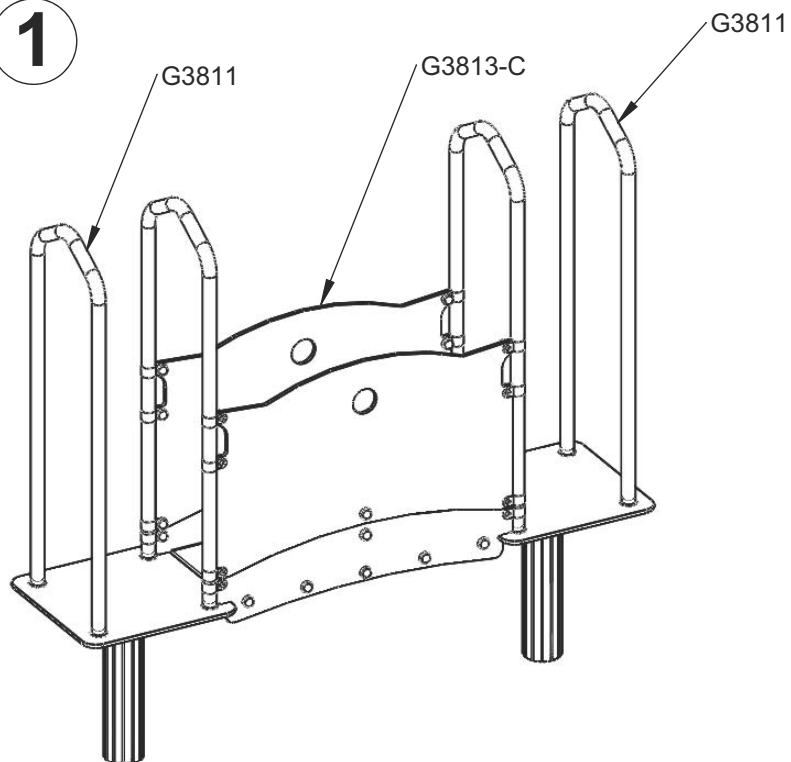
J3872 A

Implantation
 Footing plan
 Implantación
 Fundomentplan
 Funderingstekening

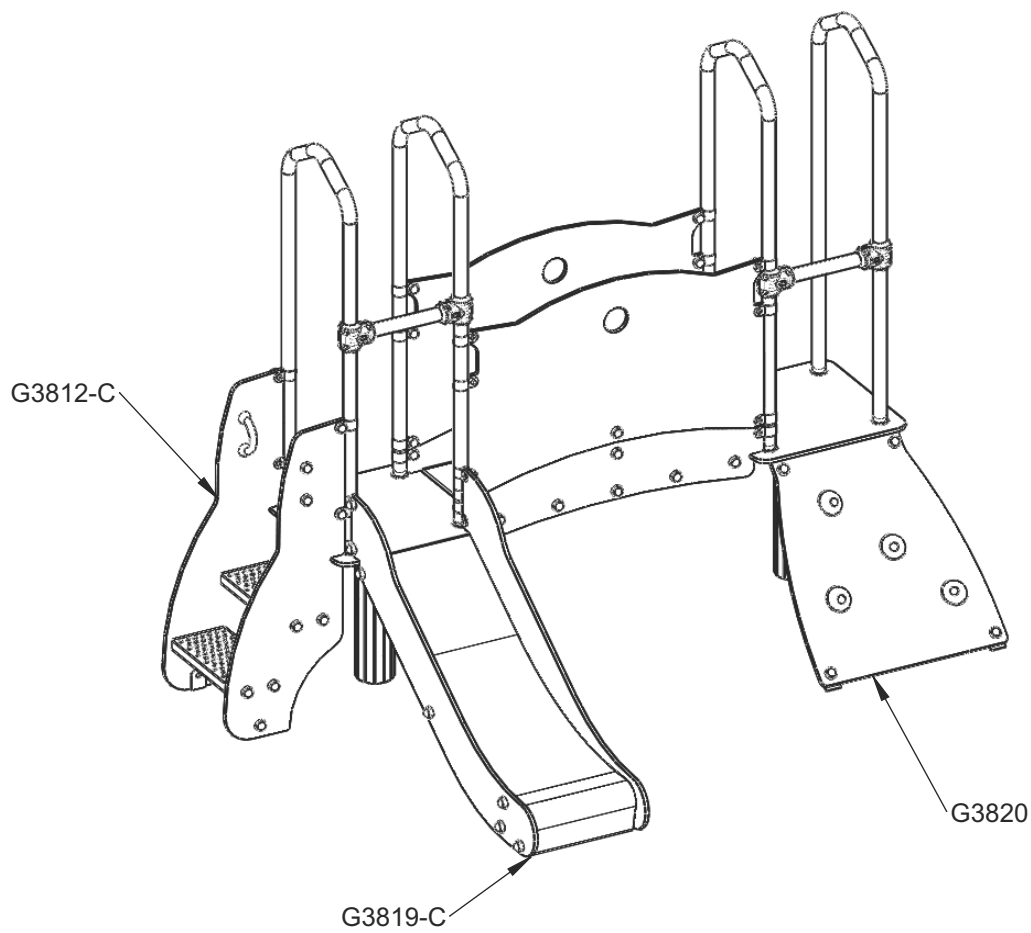


	x	y	z	w
	0.3	0.3	0.3	0.6
	0.4	0.4	0.3	0.6
	0.6	0.3	0.3	0.6

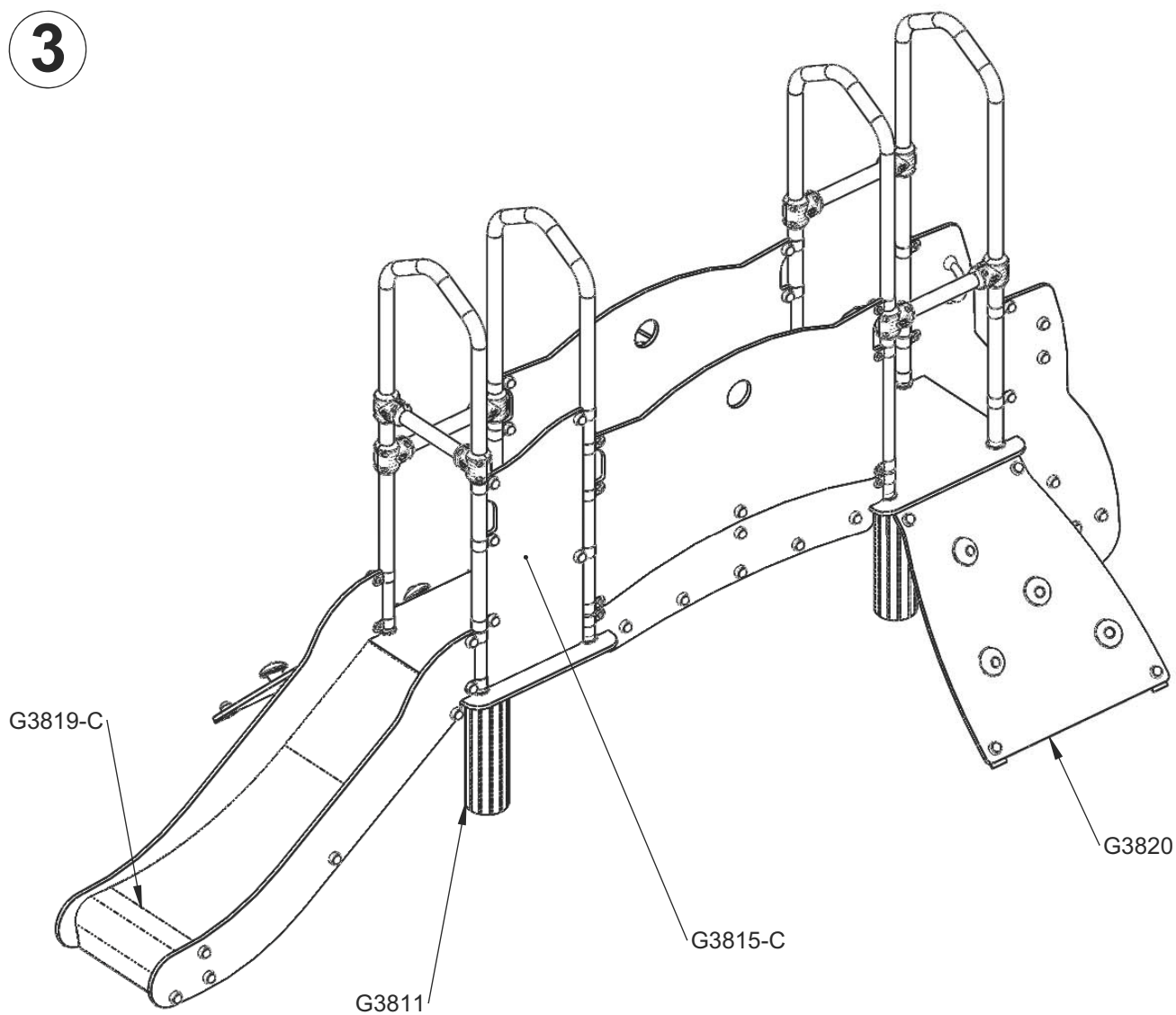
1



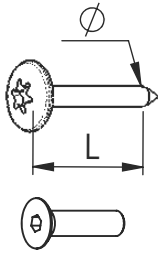
2



3

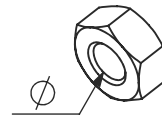


Réf	Qté
G3811	2
G3812-C	1
G3815-C	1
G3813-C	1
G3819-C	2
G3820	2

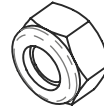


VBT 6 x 30
 \varnothing L (mm)

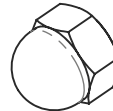
VFHC



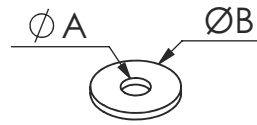
VEC M10
 \varnothing



VEF



VEB

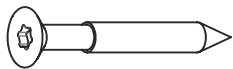


VR6x18
 $\varnothing A$ $\varnothing B$

VTHA

1000 - 1800 tr/min
 Vitesse de rotation
 Rotation speed

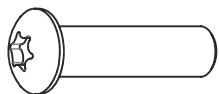
14 N.m
 Couple de rupture
 Torque of break



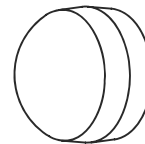
VWT



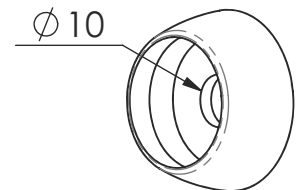
VGC



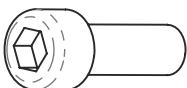
VCBHC



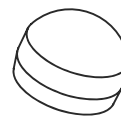
M10 440N



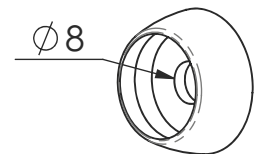
M10 310 N



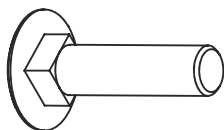
VBTR



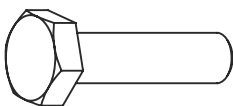
M8 440N



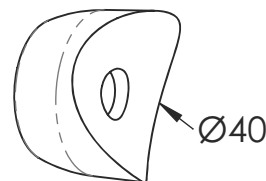
M8 310N



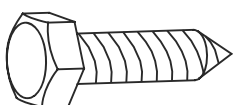
VTRCC



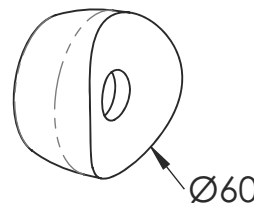
VTH



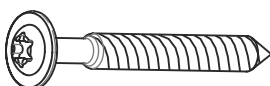
MI2503



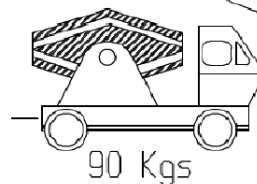
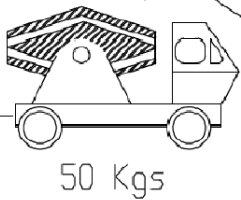
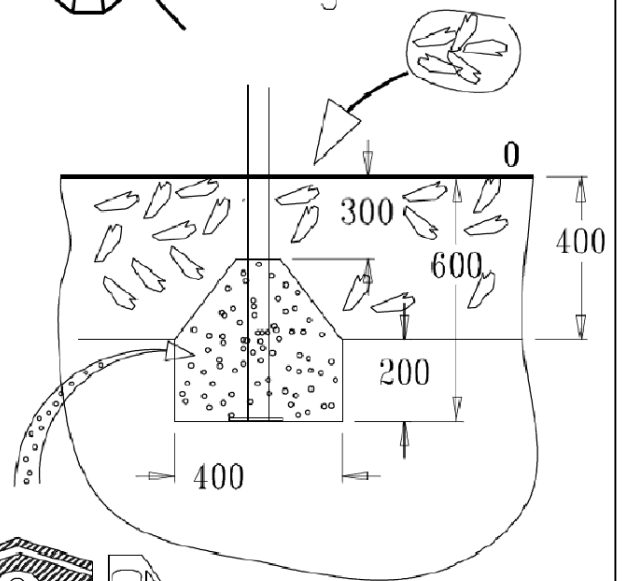
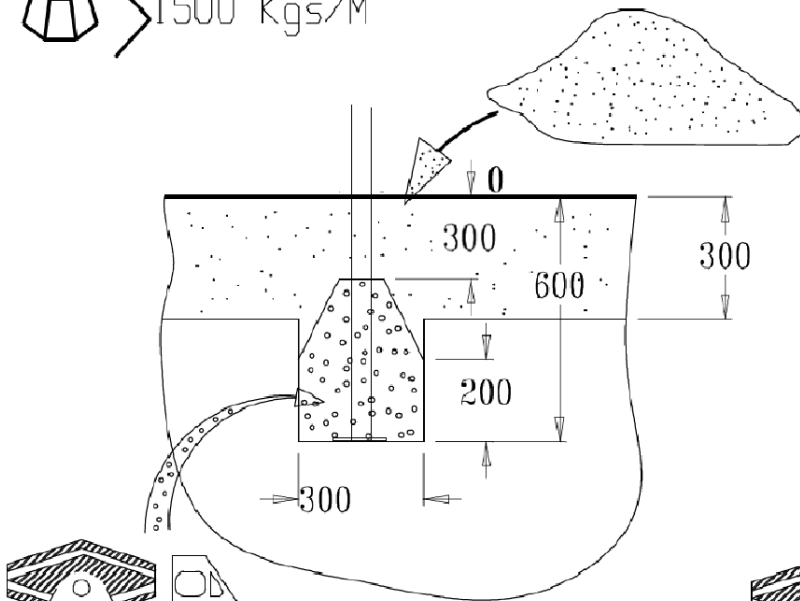
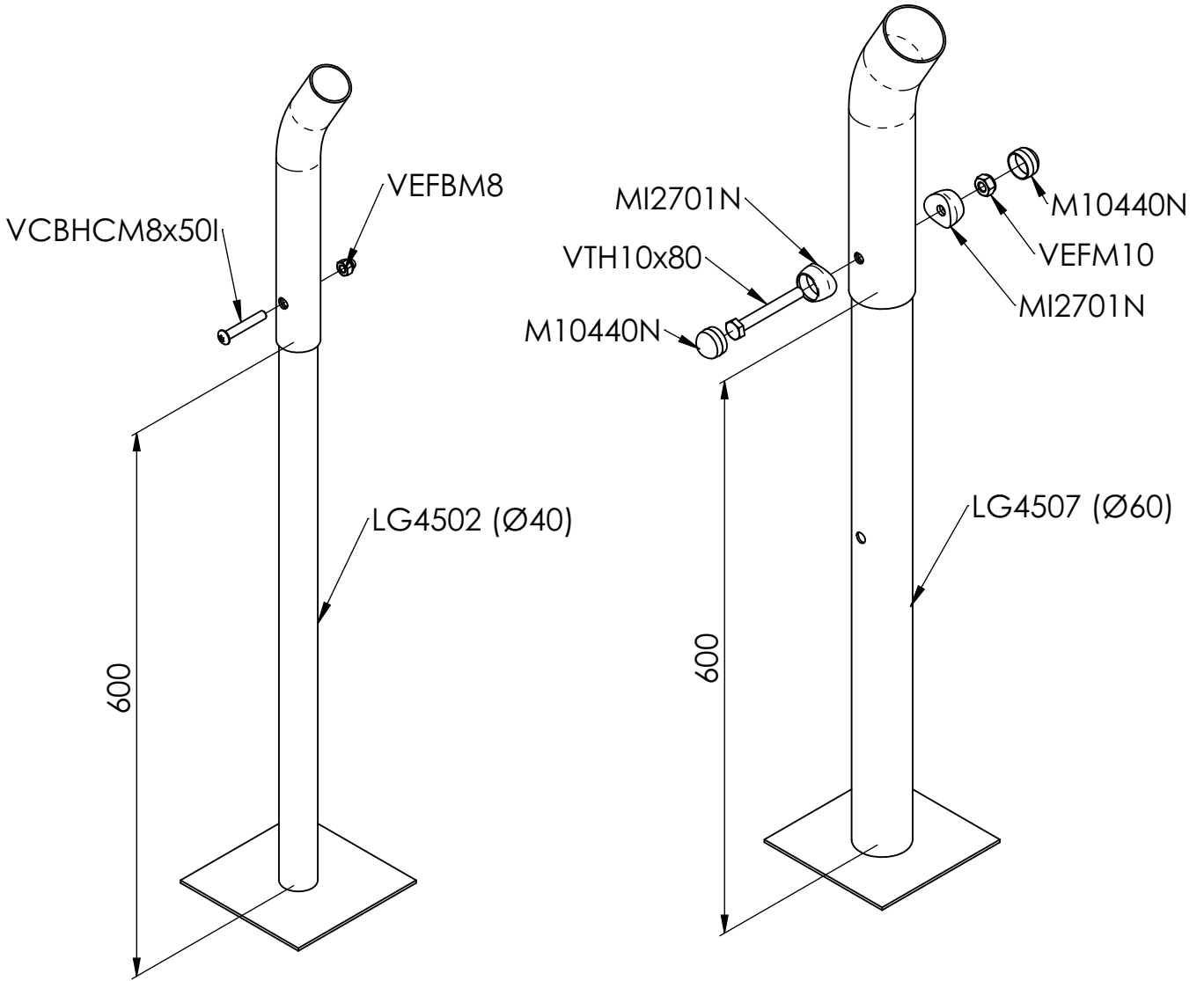
VTF



MI2701

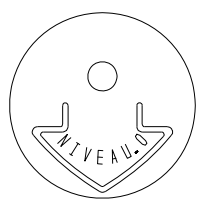


VBT

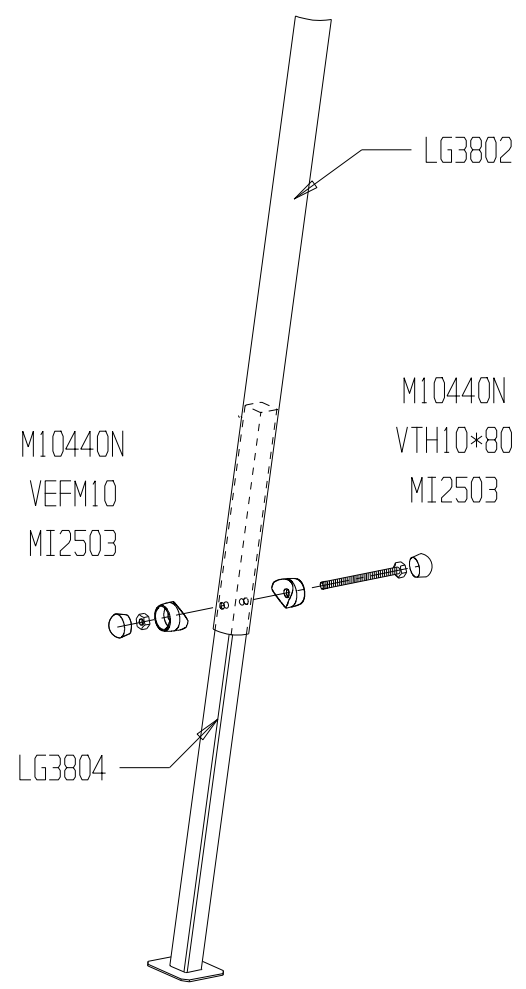
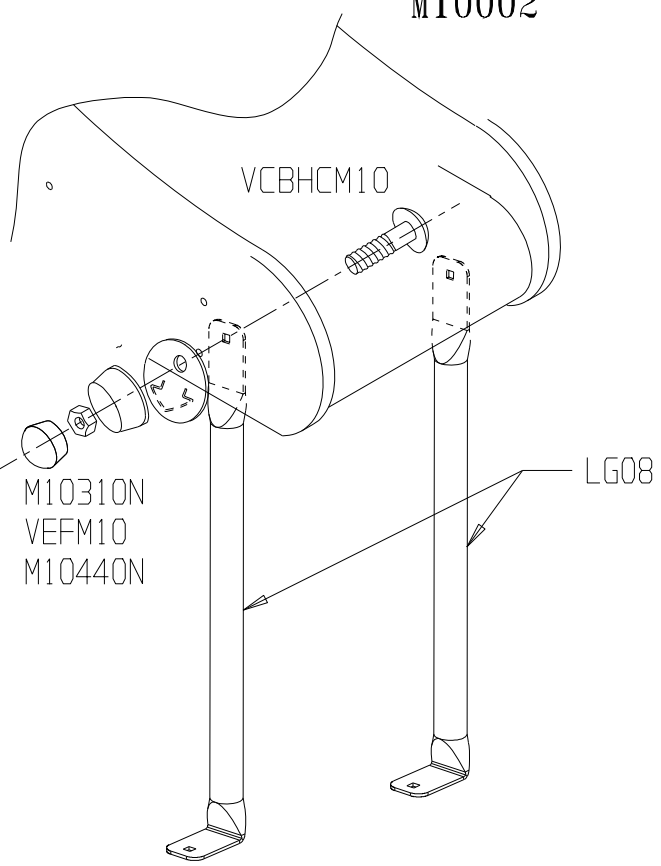


A

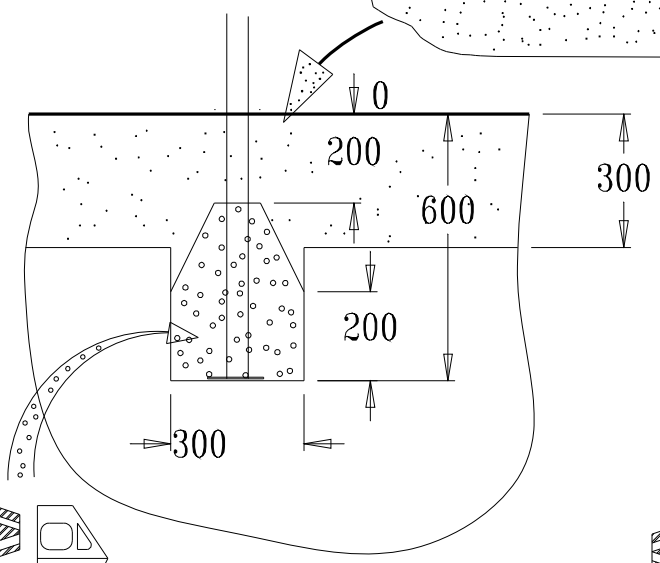
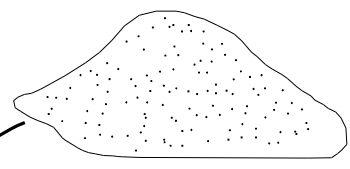
Proludic



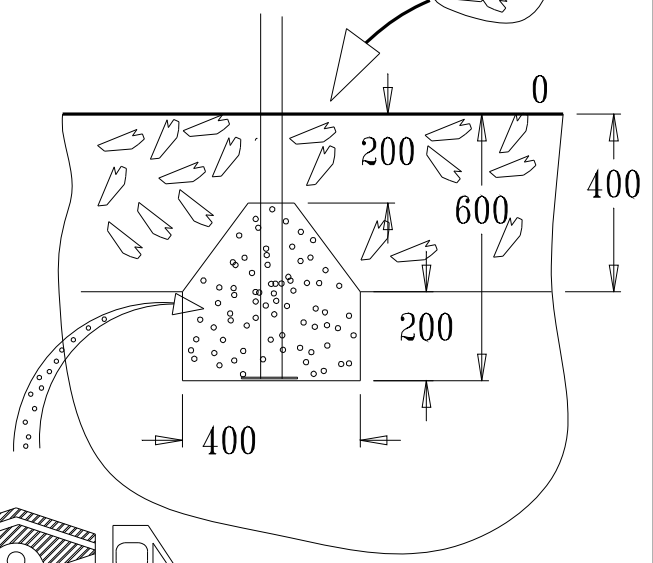
MI0002

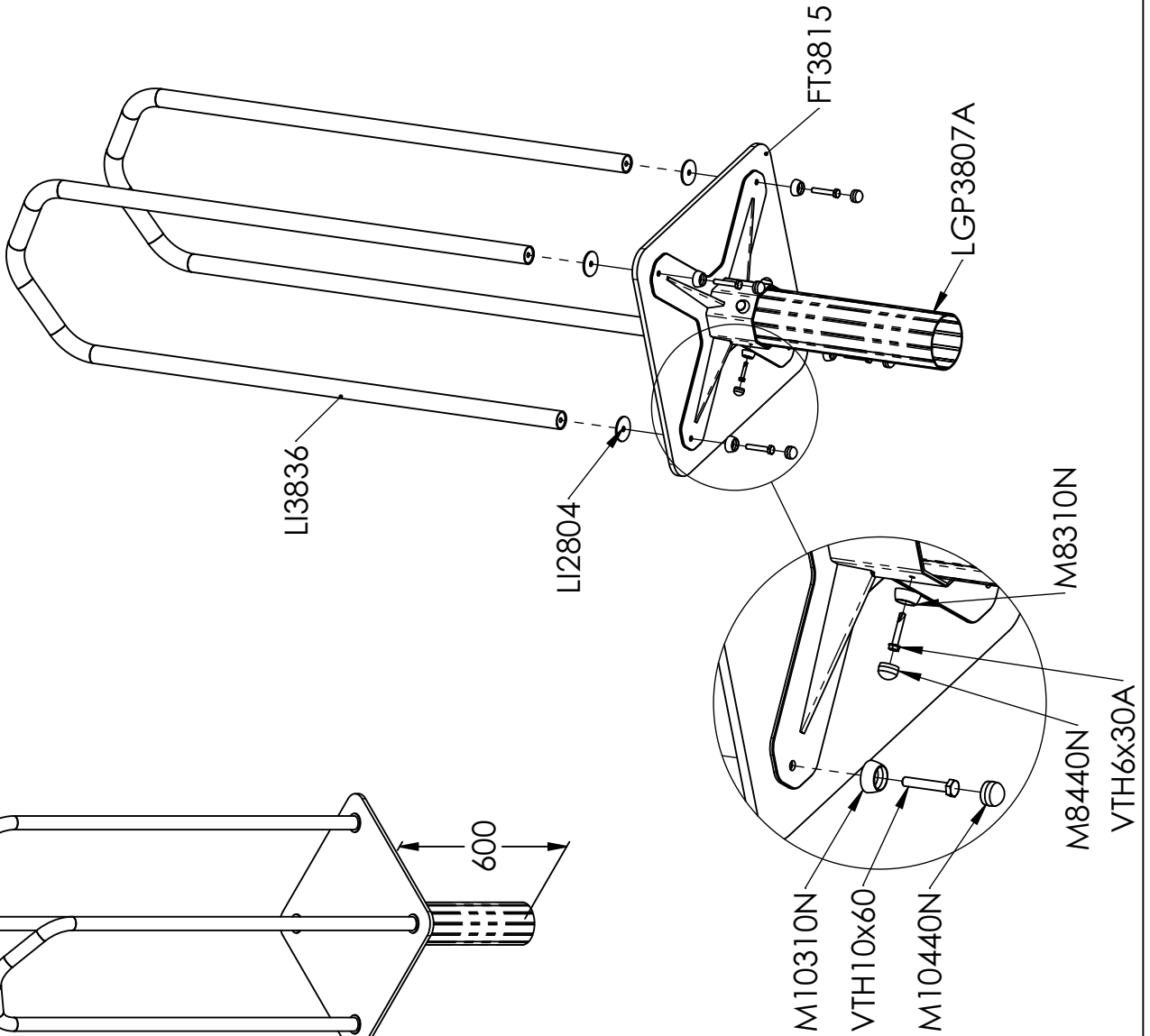
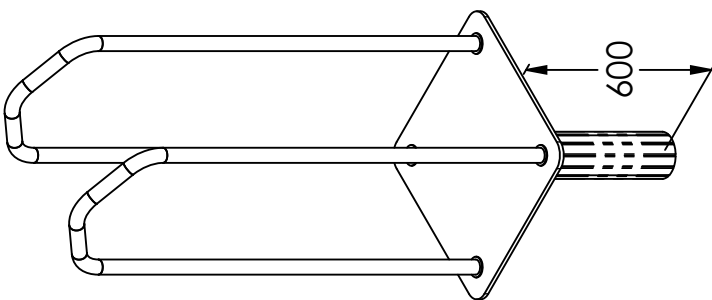


> 1500 Kgs/M³

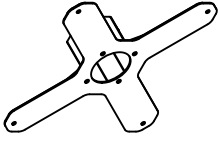


< 1500 Kgs/M³

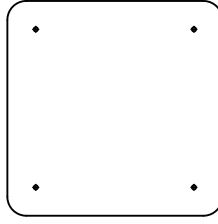




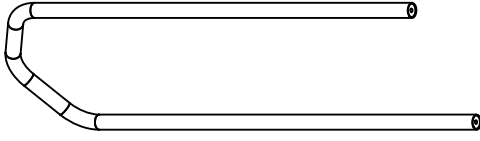
LG3810



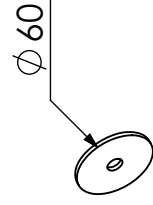
FT3815



LI3836

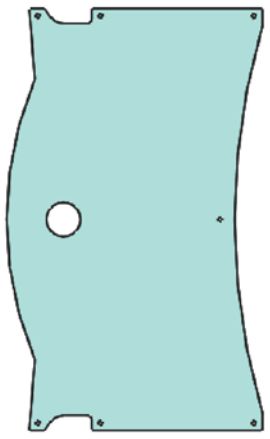
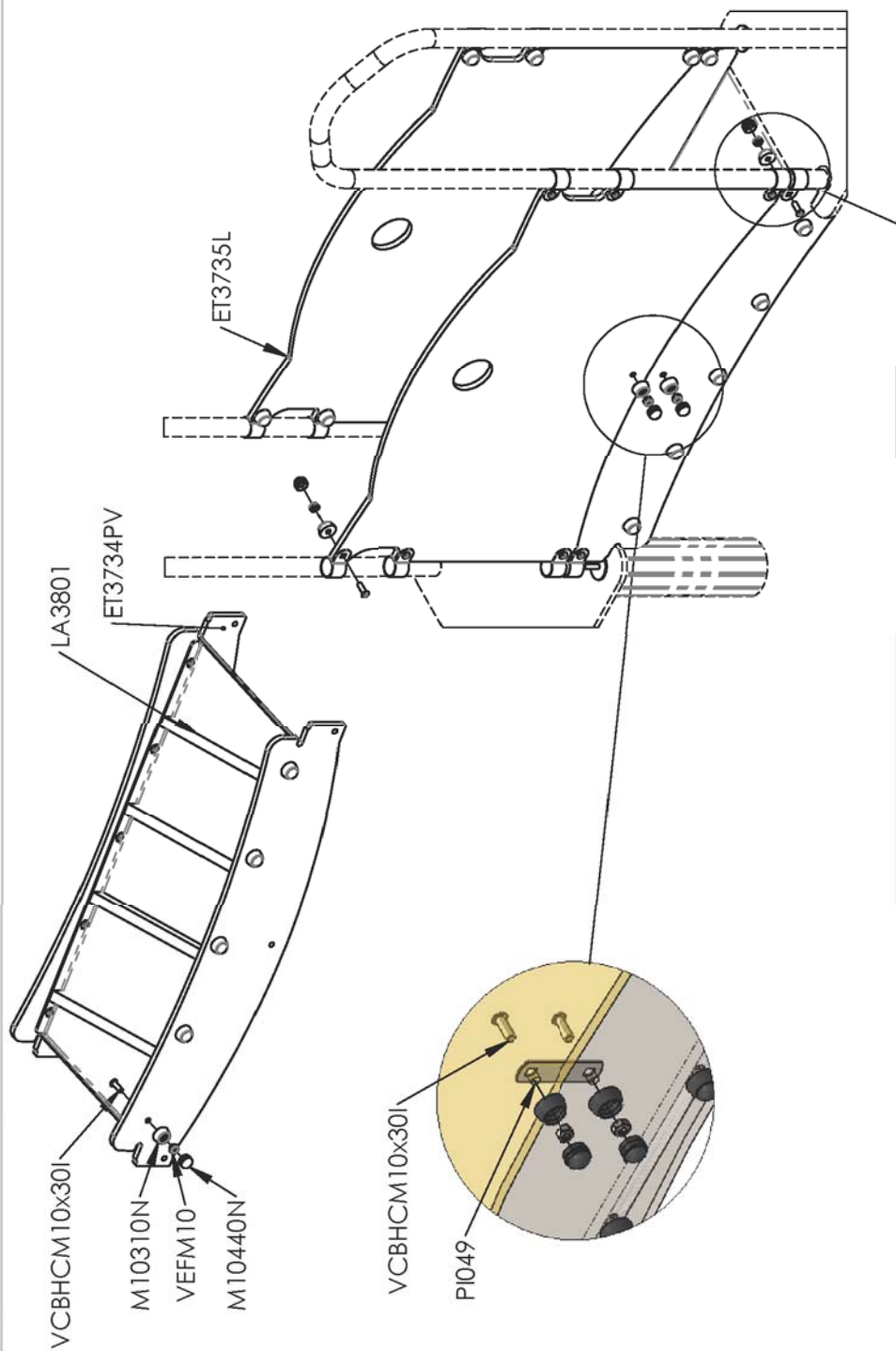


LGP3807A



LI2804

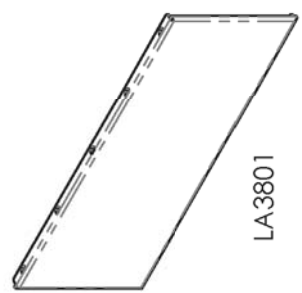
Réf	Qte
FT3815	1
LG3810	1
LGP3807A	1
LI2804	4
LI3836	2
M8310N	4
M8440N	4
M10310N	4
M10440N	4
VTH6x30A	4
VTH10x60	4



ET3735L



ET3734PV



LA3801

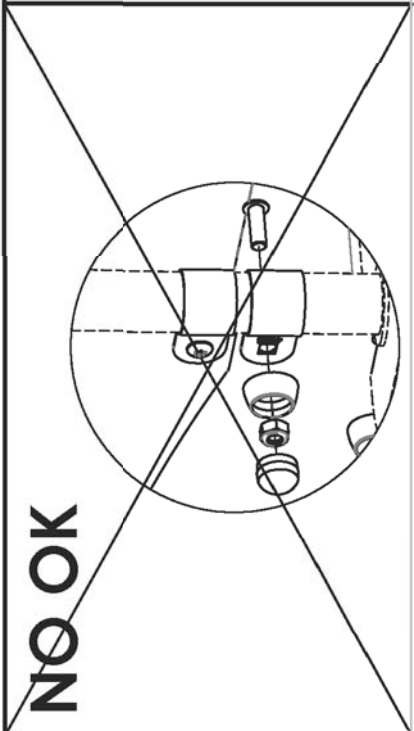
LI4505

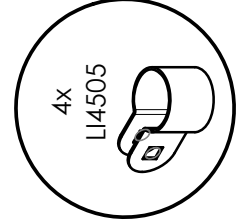
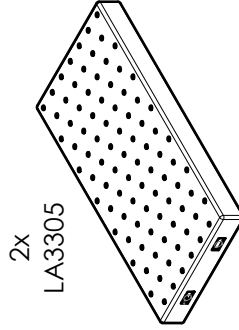
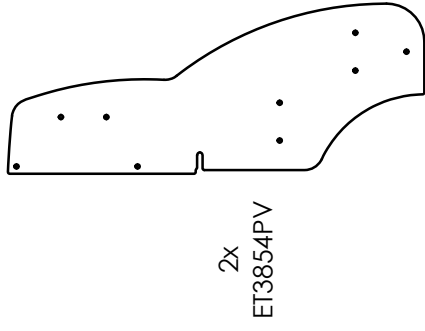
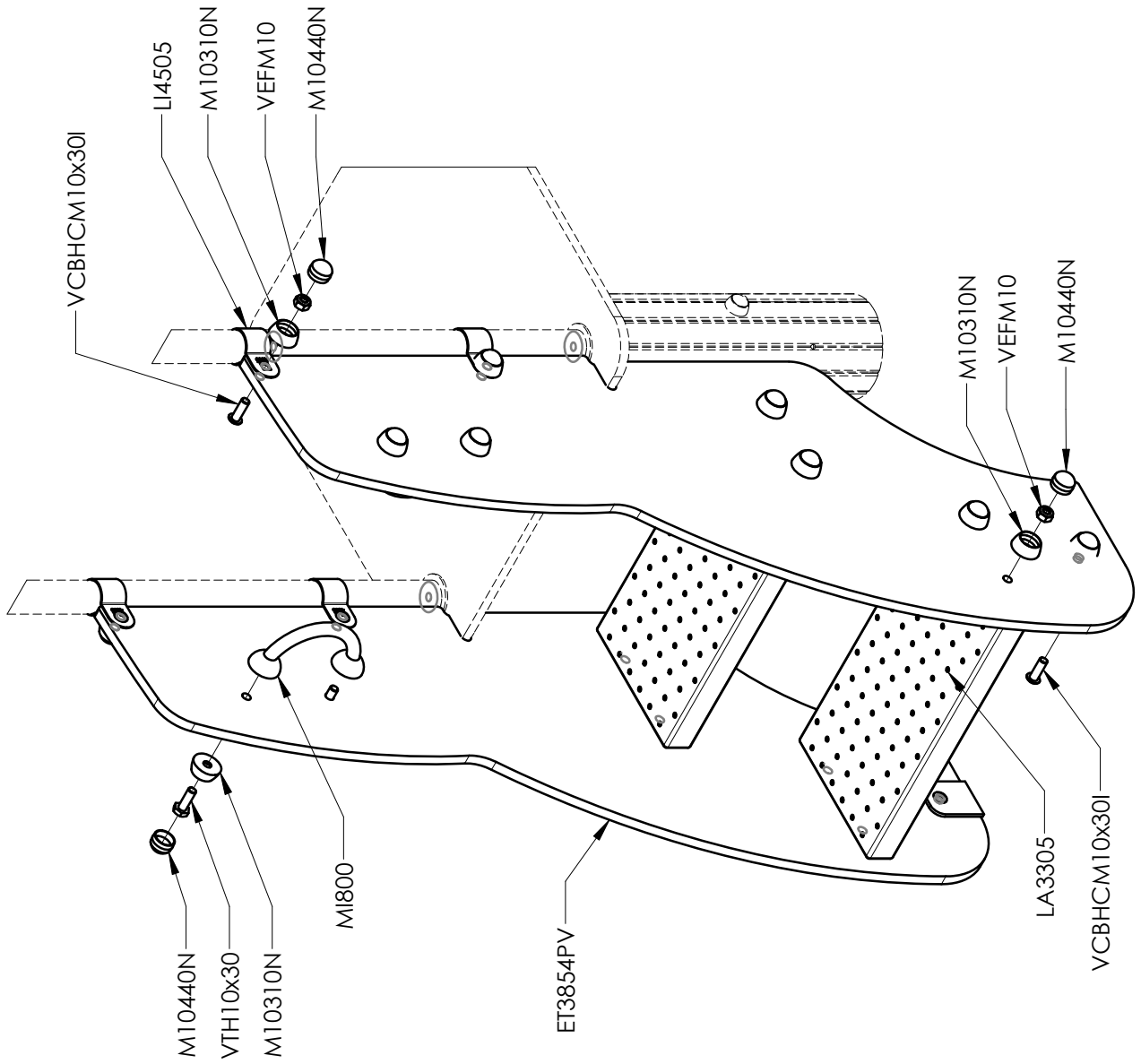


P1049

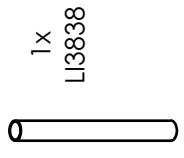
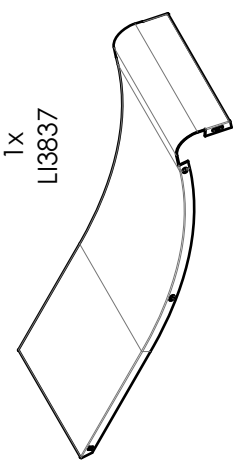
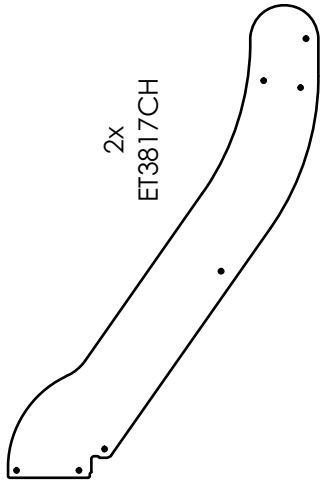
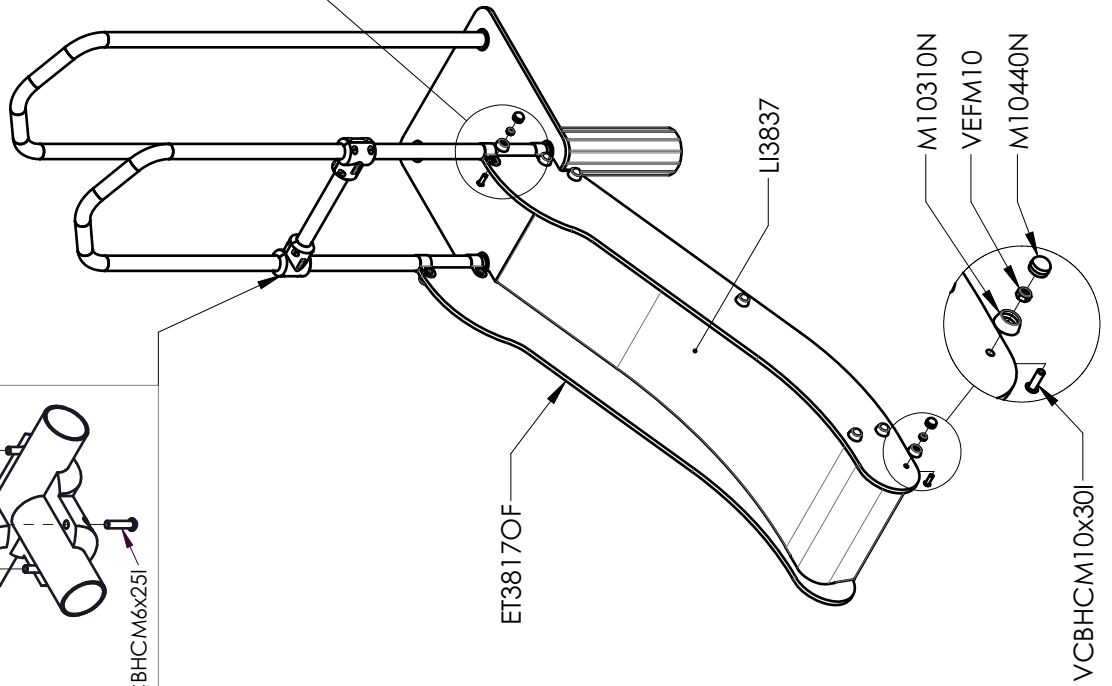
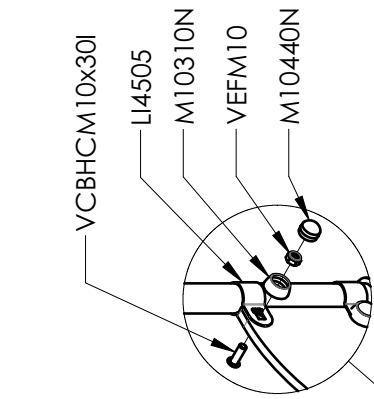
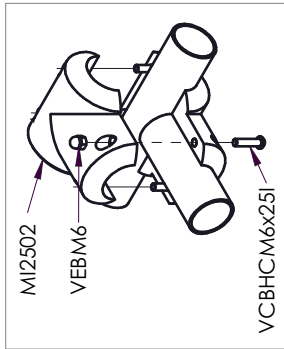


Ref	Qté
ET3734PV	2
ET3735L	2
LA3801	1
LI4505	16
M10310N	30
M10440N	30
P1049	2
VCBHCM10x30I	30
VEFM10	30





ET3854PV	2
LA3305	2
LI4505	4
M10310N	18
M10440N	18
M1800	2
VCBHCM10x30I	14
VEFM10	14
VTH10x30	4



ET3817CH	2
LI3837	1
LI3838	1
LI4505	4
M10310N	14
M10440N	14
MI2502N	4
VCBHCM6x25I	8
VCBHCM10x30I	14
VEBM6	8
VEFM10	14

