



N°		
1	1 m	5.5 m ²
2	1.17 m	11 m ²
3	1.8 m	12 m ²

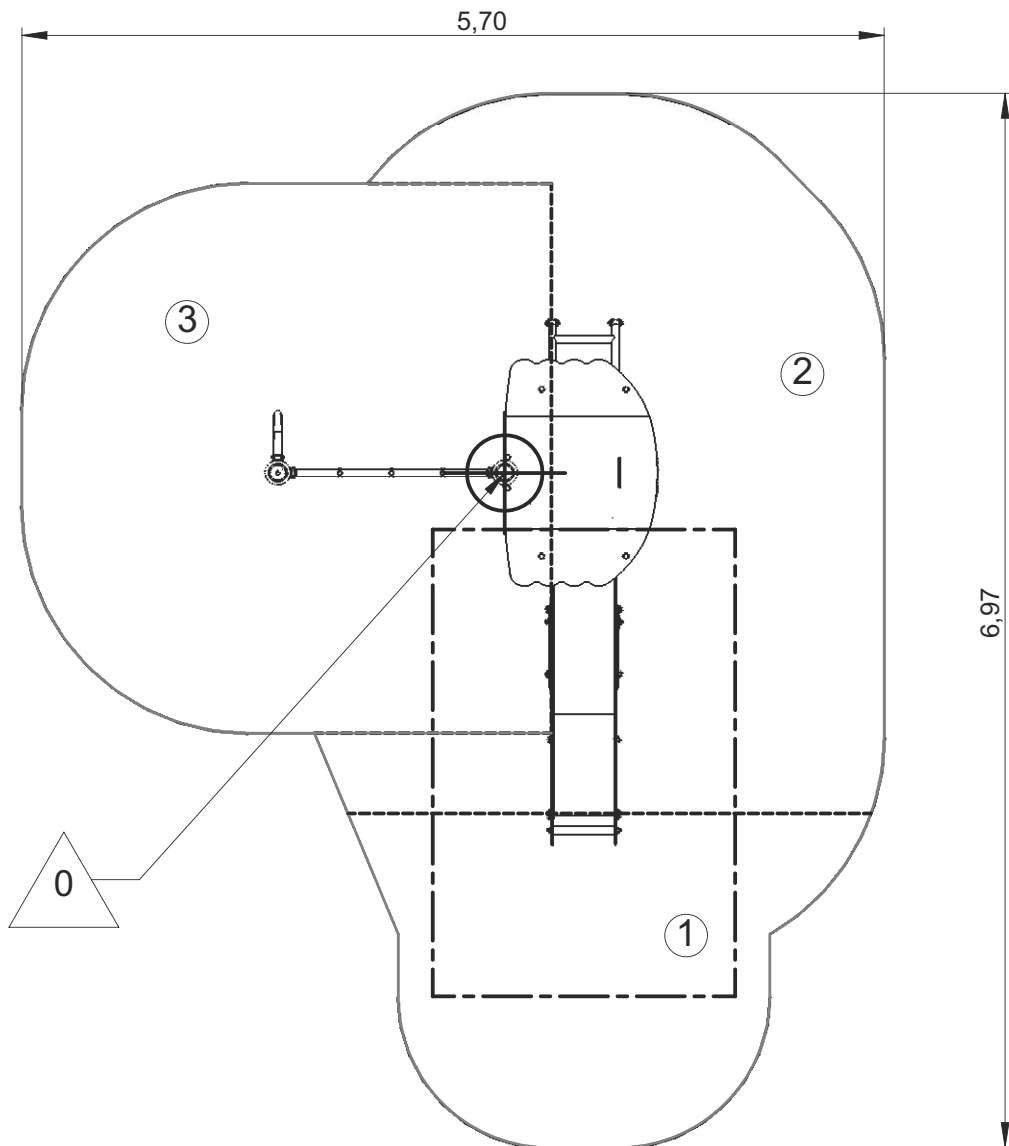
— Zone d'impact
Impact area
Area de impacto
Fallraum
Valzone

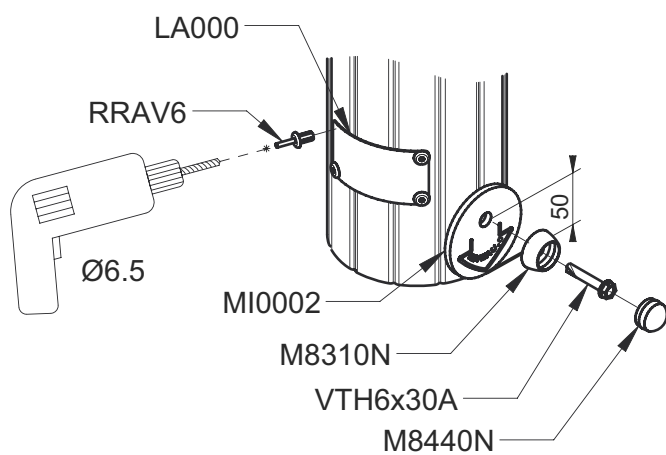
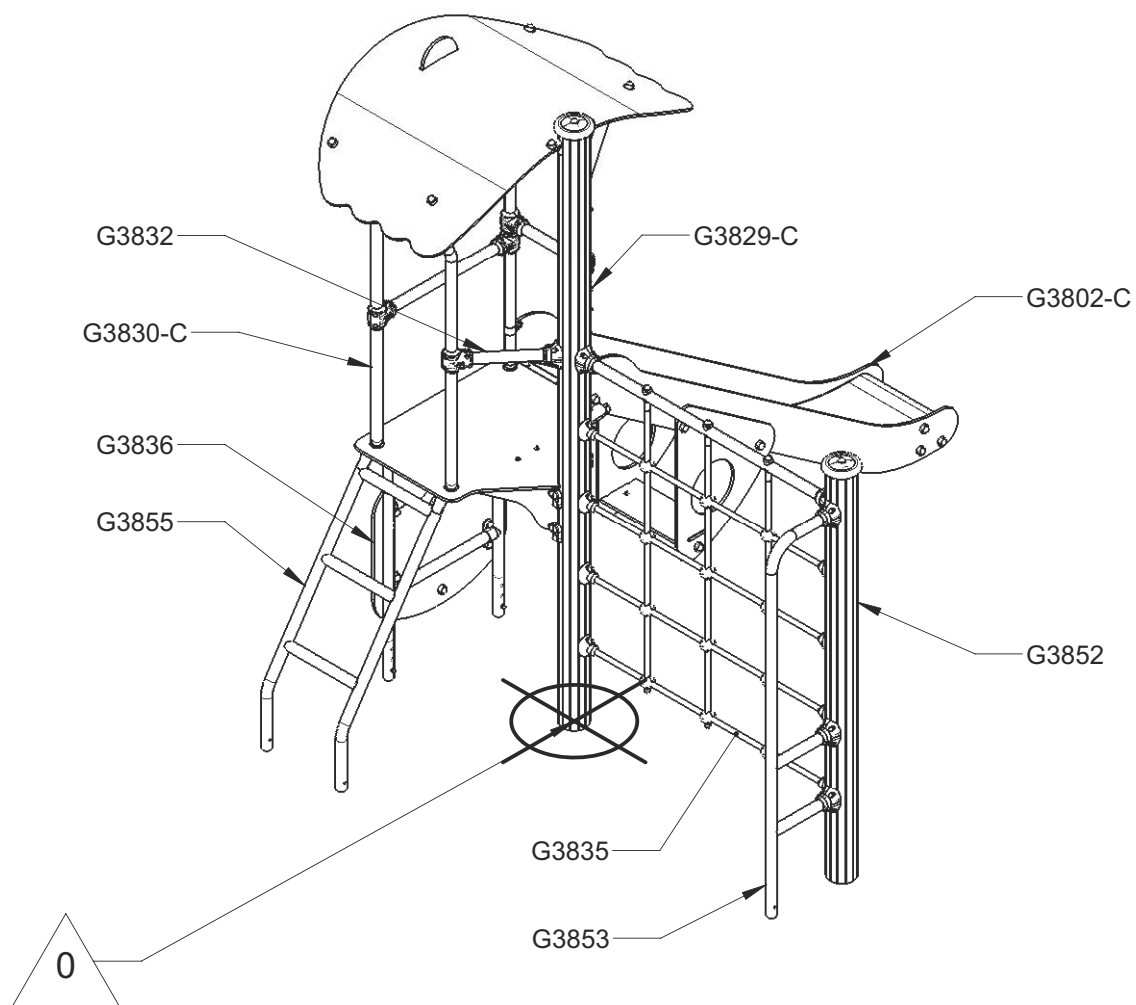


Point de référence
Setting out point
Punto de referencia
Bezugspunkt
Referentiepunt

- - - Espace libre
Free space
Espacio libre
Freiraum
Vrije ruimte

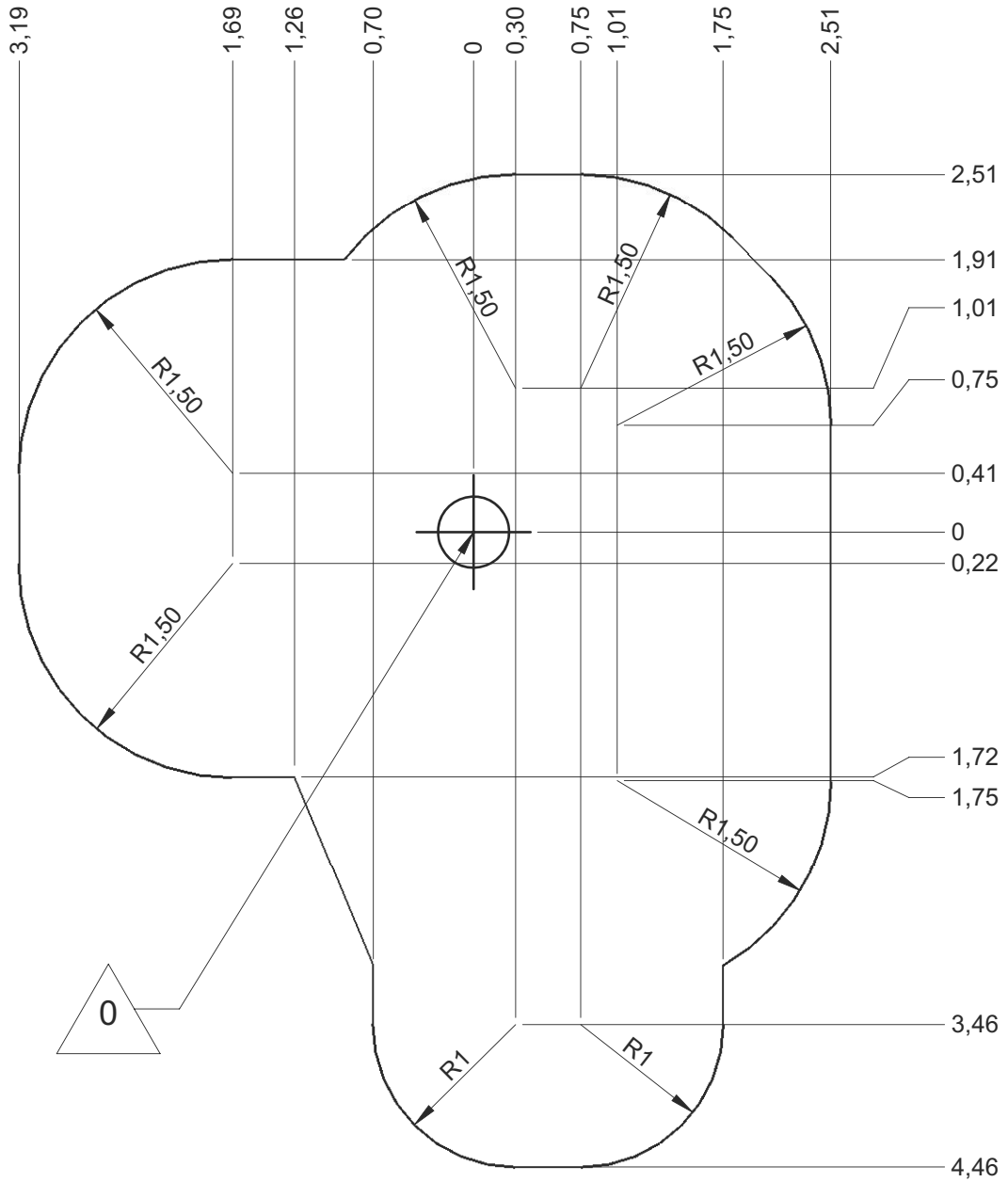
EN1176-1:2017
EN1176-3:2017





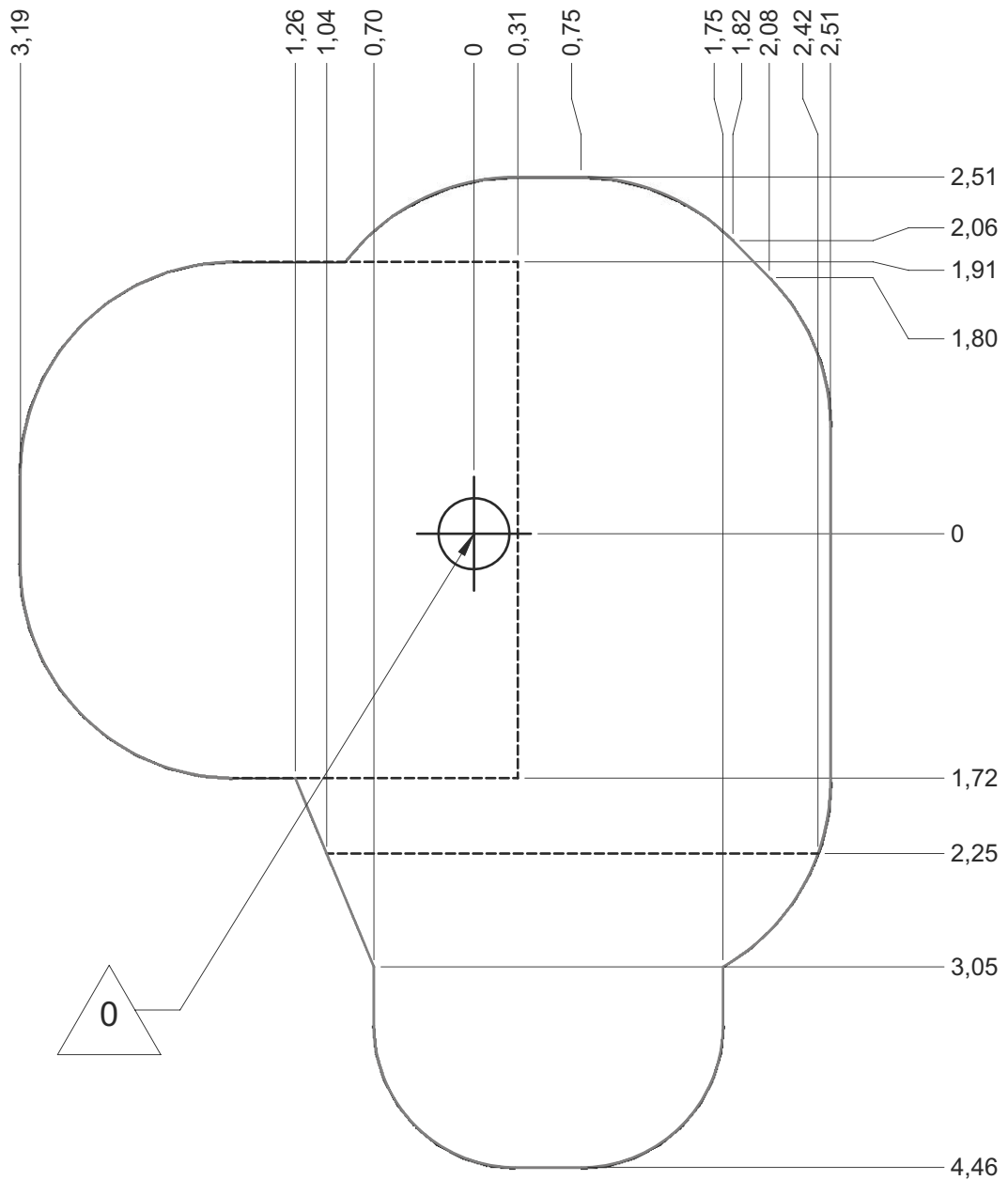
— Zone d'impact
 Impact area
 Area de impacto
 Fallraum
 Valzone

28.5 m²



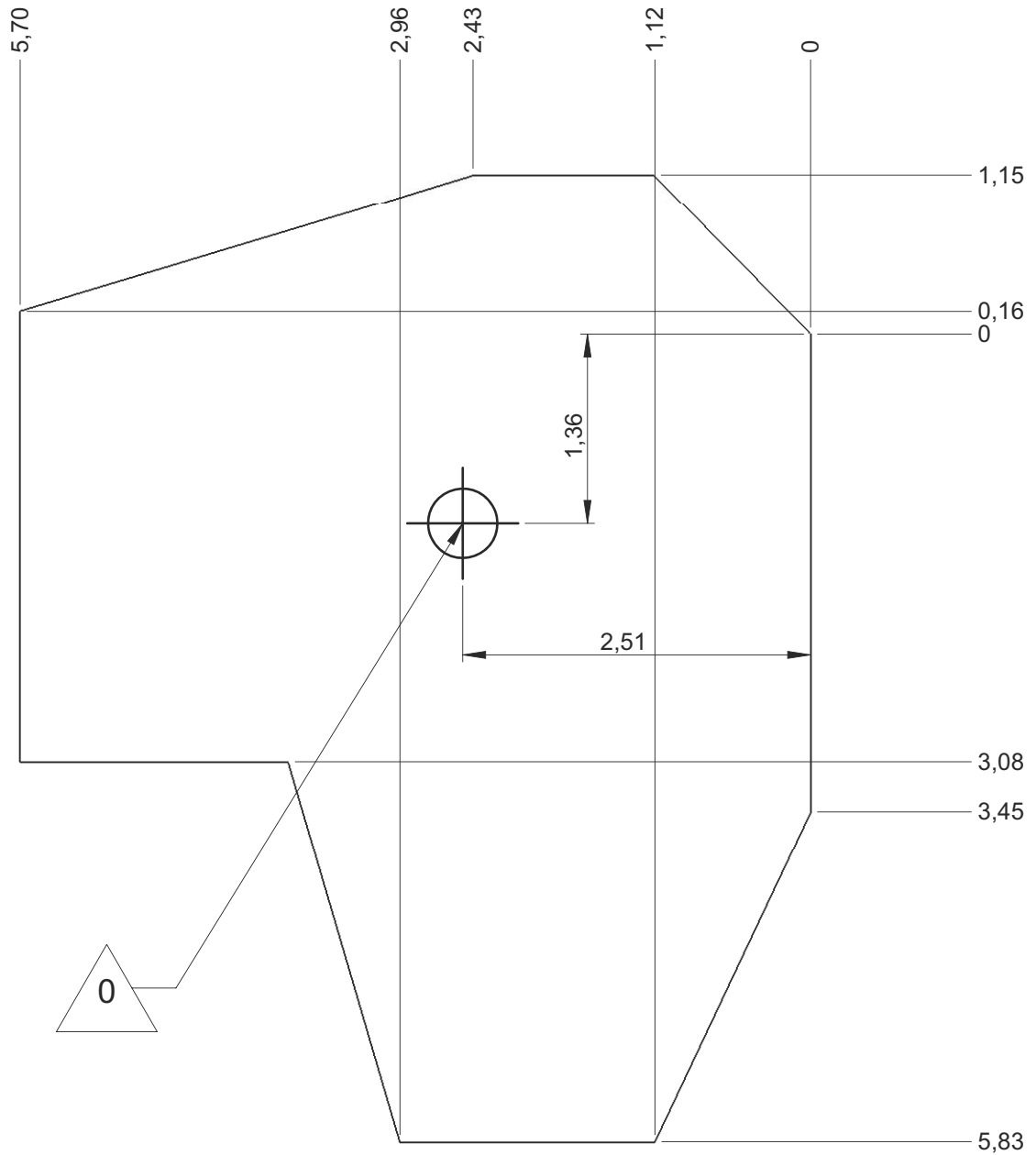
— Sol souple
 — Wetpour
 — Caucho continuo
 — Synthetischer fallschutz
 — Gietvloer

28.5 m²

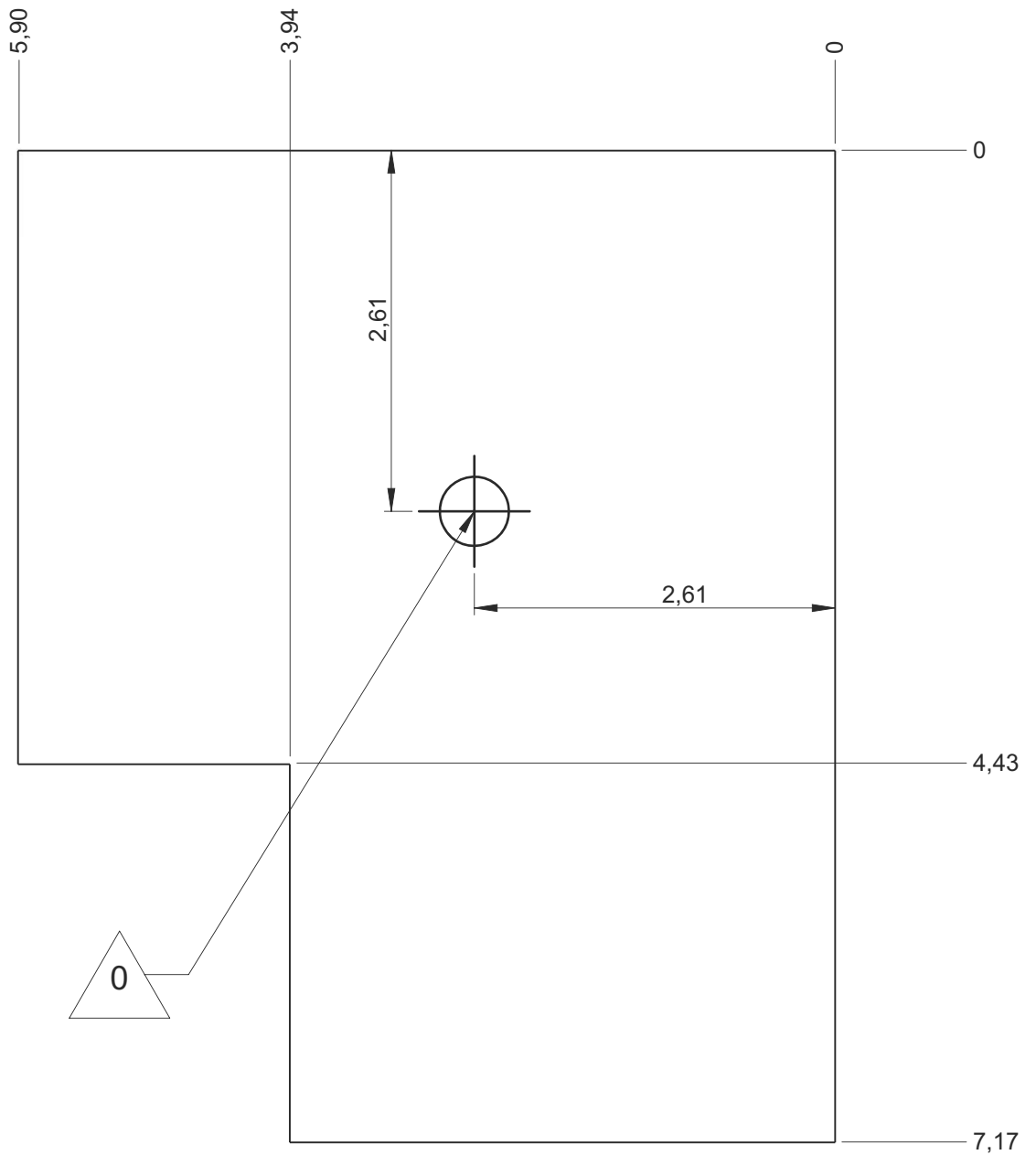


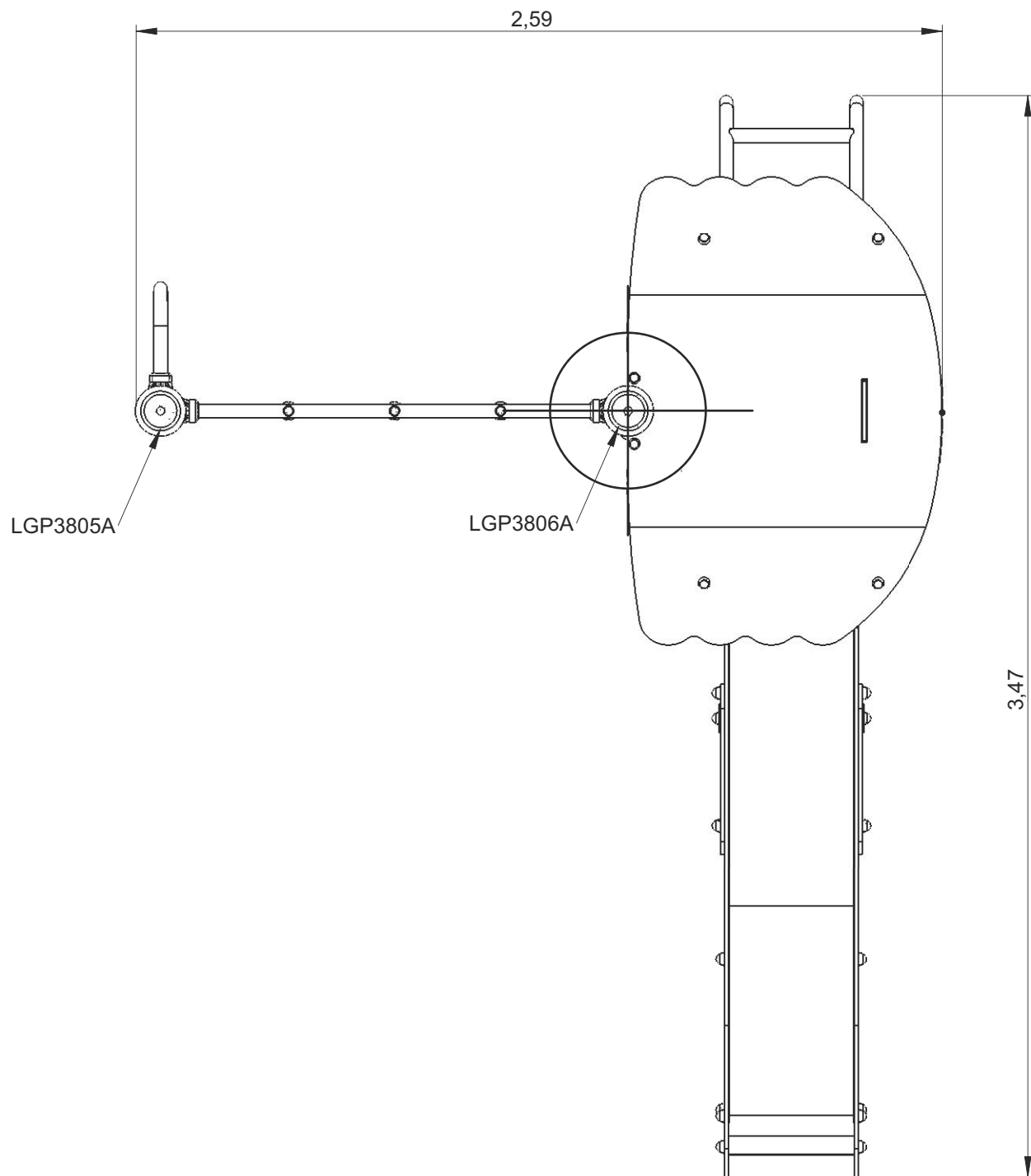
— Dalle béton
 Concrete pad
 Solera de hormigon
 Beton bodenplatte
 Betonnen bodemplaat

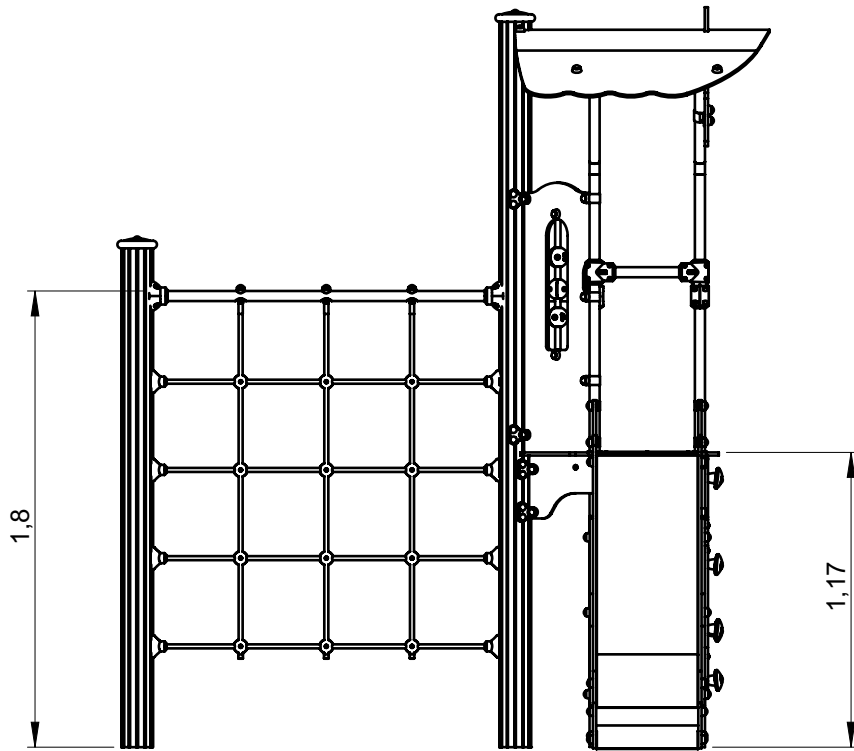
23 m
 30 m²



— Sol fluent
Loos partucule material 27 m
Arenero
Loses Bodenmaterial 37 m²
Los bodemateriaal

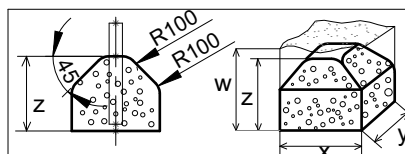
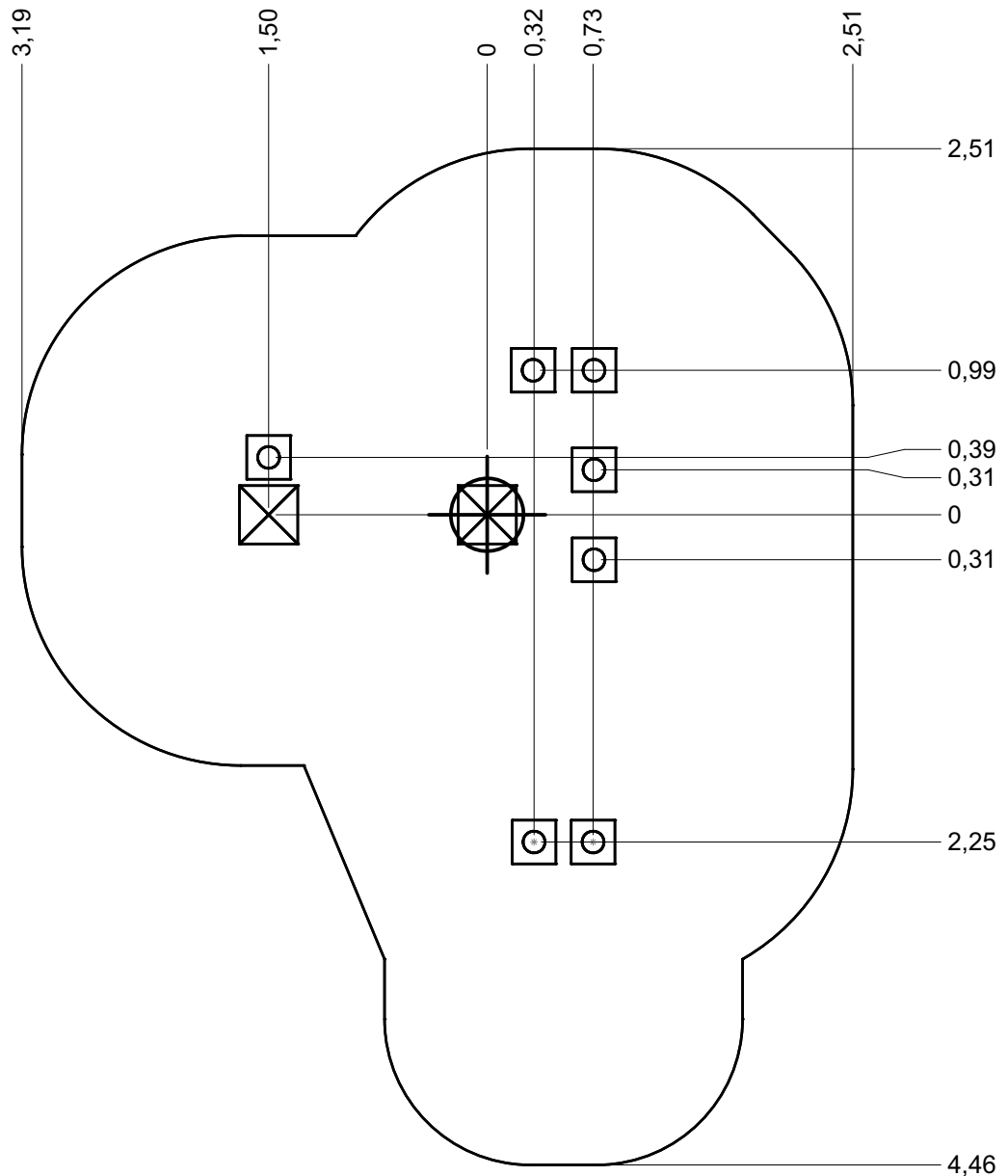






J3866A-C

Implantation
 Footing plan
 Implantación
 Fundamentplan
 Funderingstekening



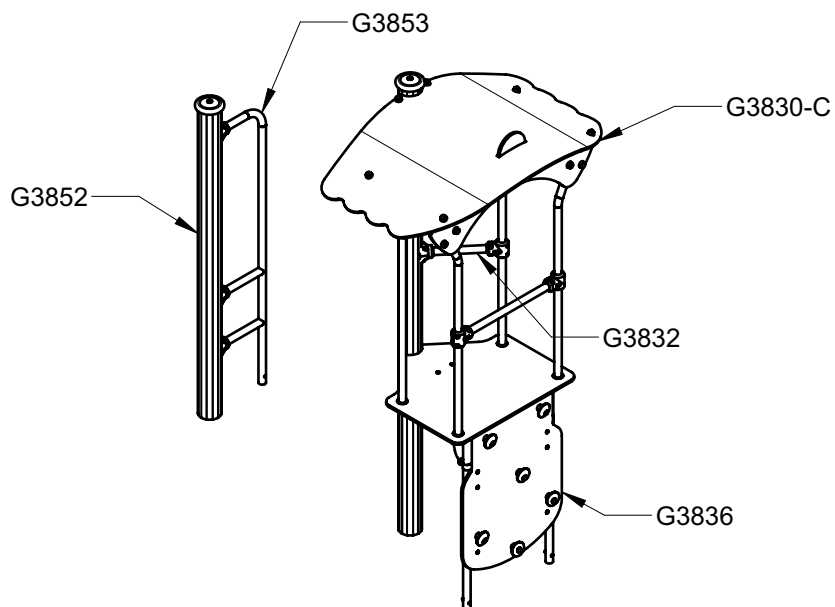
	x	y	z	w
	0.3	0.3	0.3	0.6
	0.4	0.4	0.3	0.6
	0.6	0.3	0.3	0.6

x2

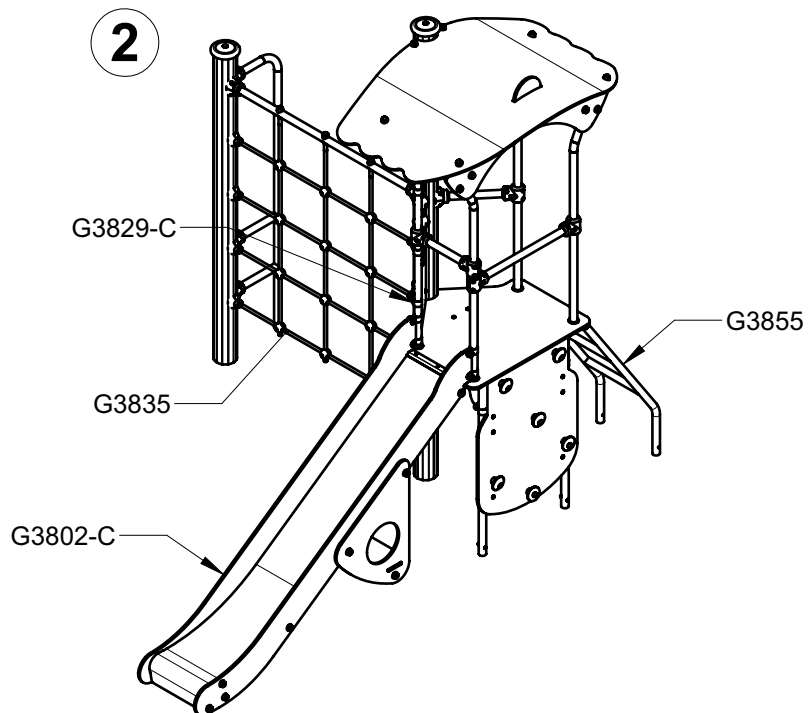
8H

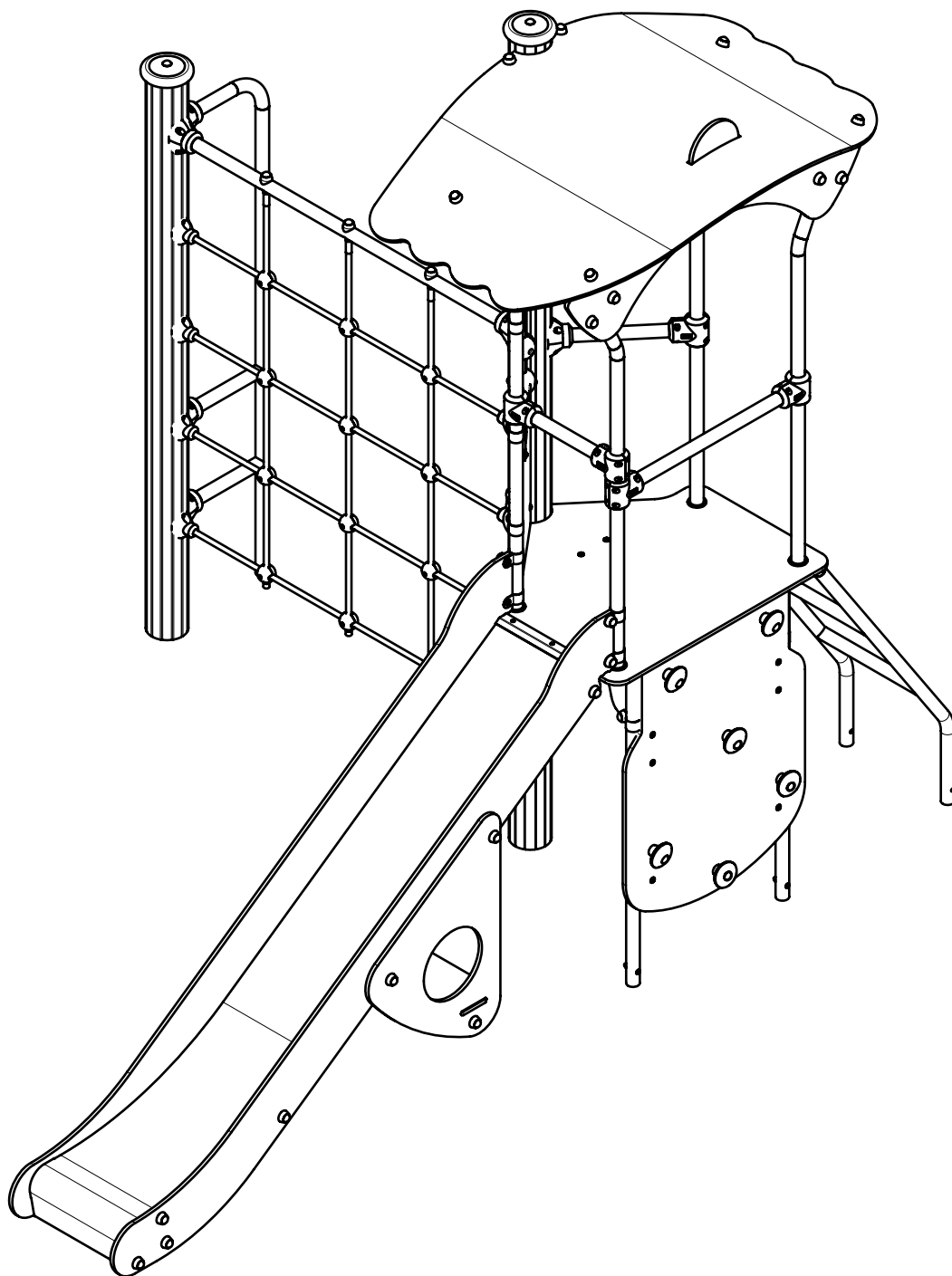
0.29 m³

1

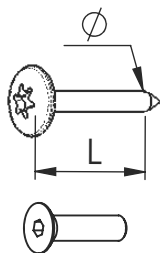


2





Réf	Qté
G3802-C	1
G3829-C	1
G3830-C	1
G3852	1
G3855	1
G3832	1
G3835	1
G3836	1
G3853	1



VBT 6 x 30
 \varnothing \uparrow L (mm)

VFHC



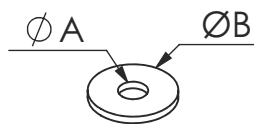
VEC M10
 \varnothing



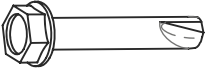
VEF




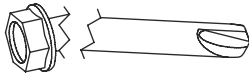
VEB



VR6x18
 \varnothing A \varnothing B




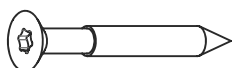
VTHA

1000 - 1800 tr/min
 Vitesse de rotation
 Rotation speed

14 N.m
 Couple de rupture
 Torque of break

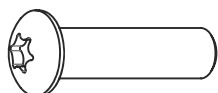




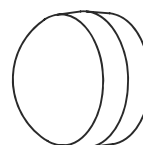
VWT



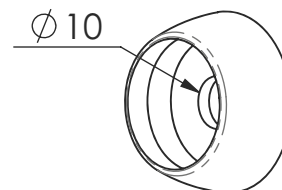
VGC



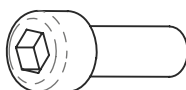
VCBHC



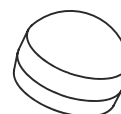
M10 440N



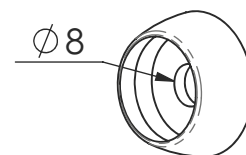
M10 310 N



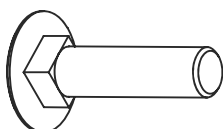
VBTR



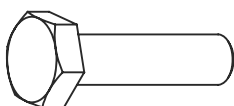
M8440N



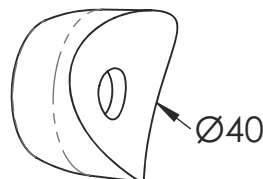
M8310N



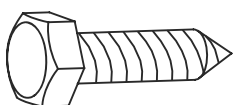
VTRCC



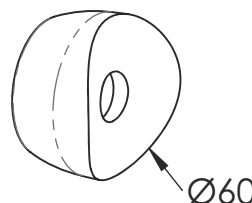
VTH



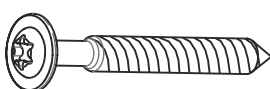
MI2503



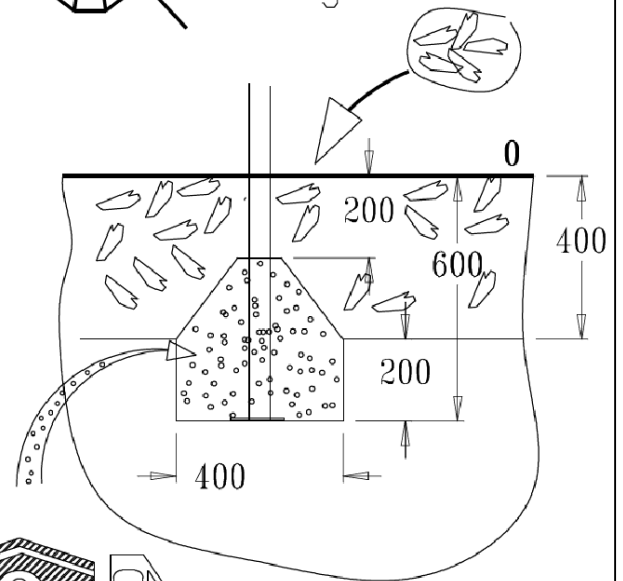
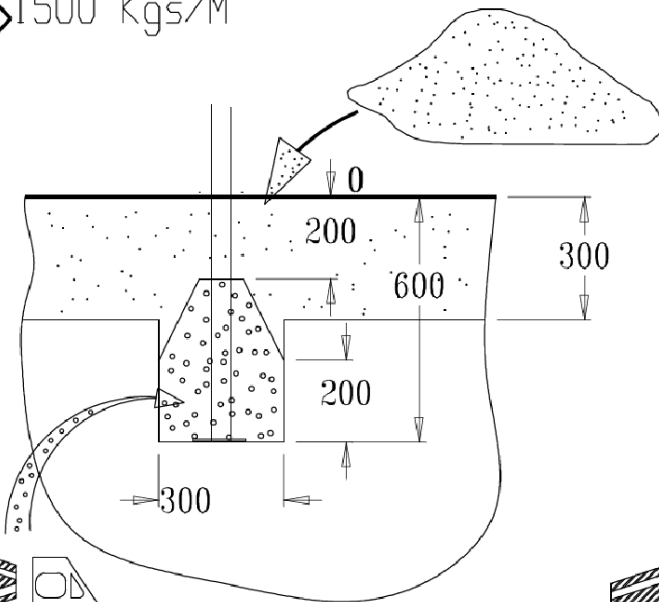
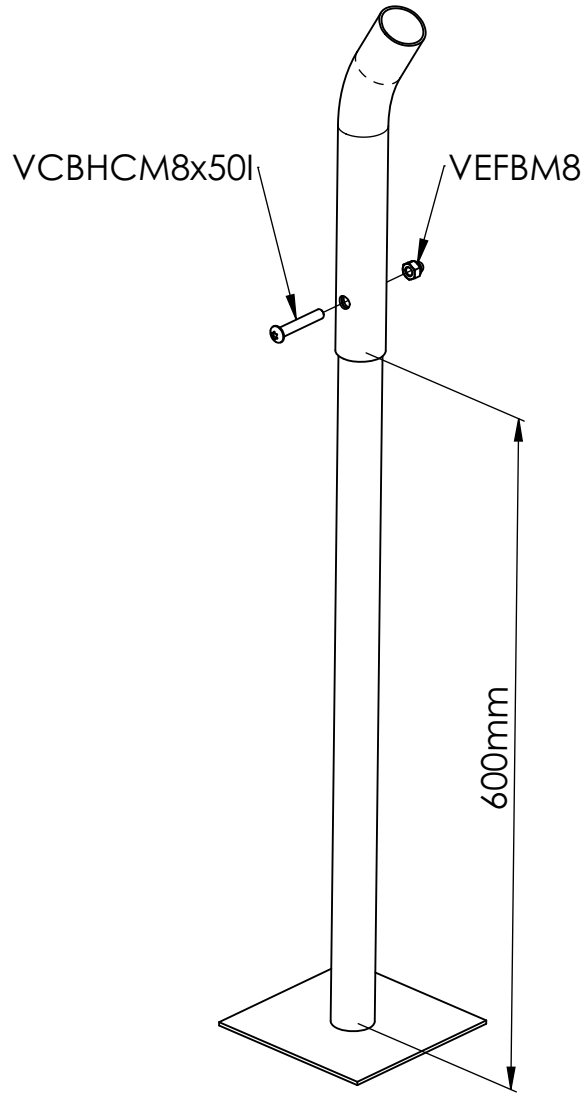
VTF



MI2701

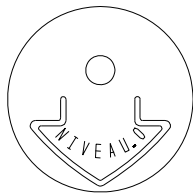


VBT



A

Proludic



MI0002

VCBHCM10

M10310N
VEFM10
M10440N

LG08

M10440N
VEFM10
MI2503

LG3802

M10440N
VTH10*80
MI2503

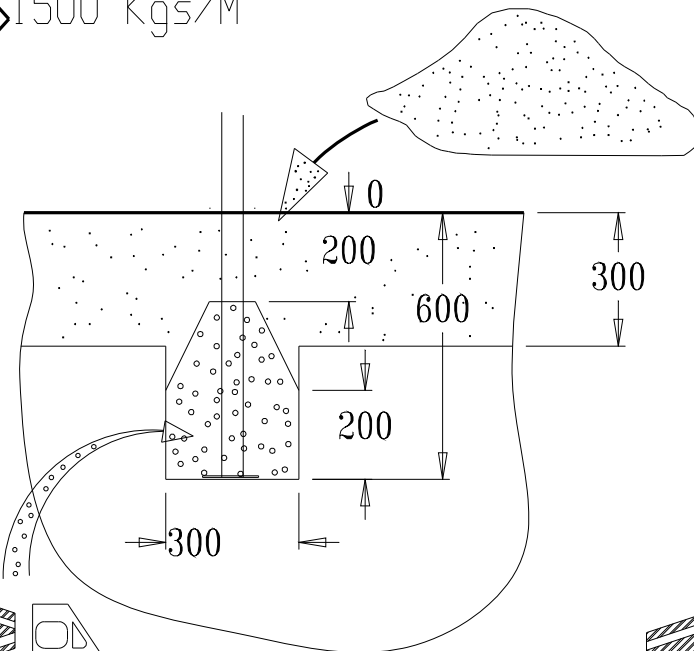
LG3804



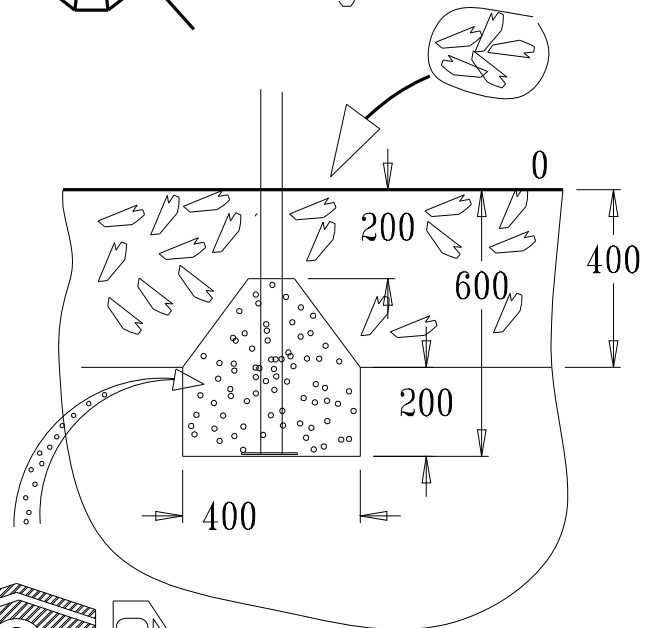
> 1500 Kgs/M³



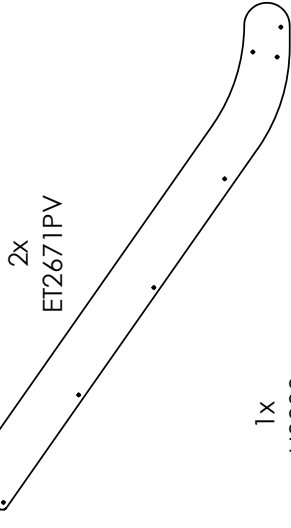
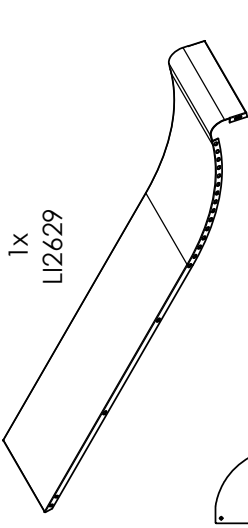
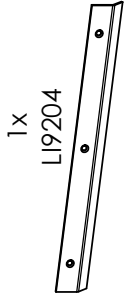
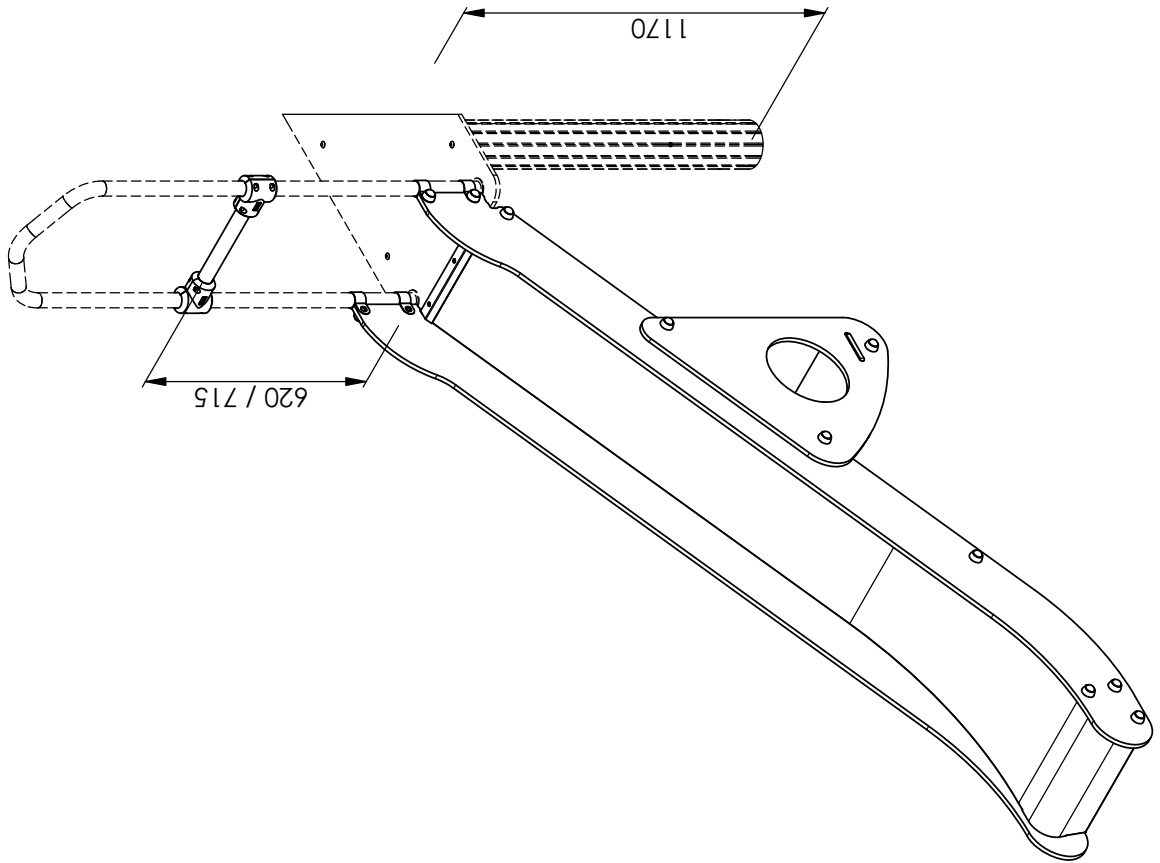
< 1500 Kgs/M³



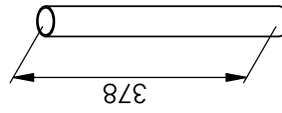
50 Kgs



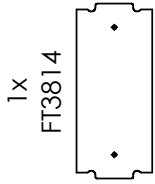
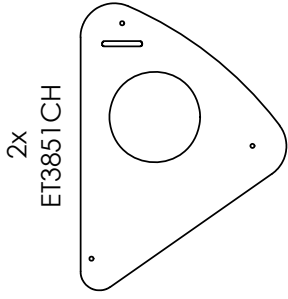
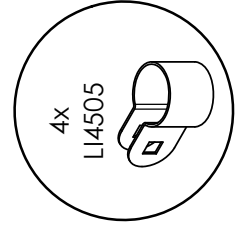
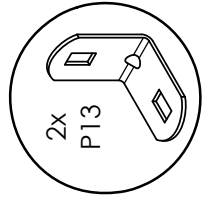
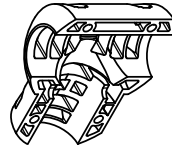
90 Kgs



1x
LI3838

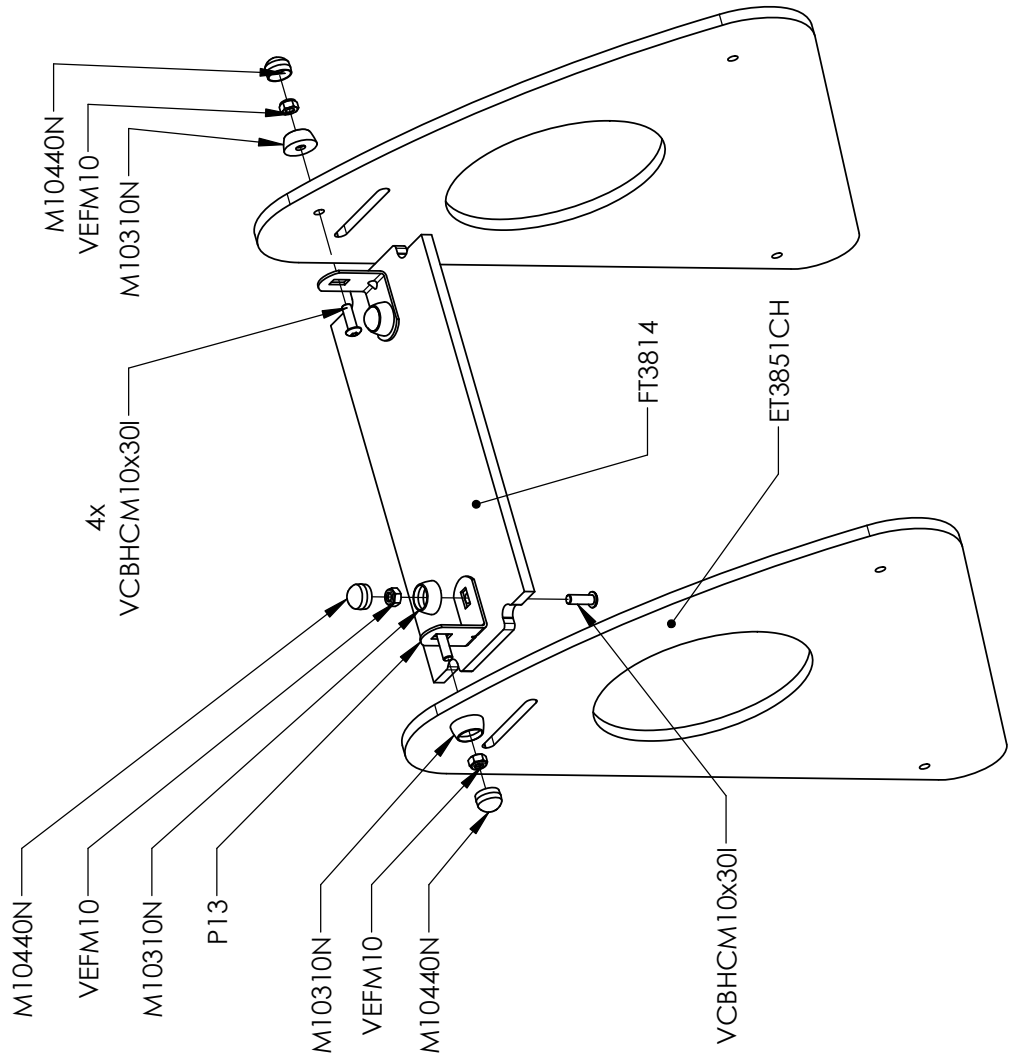


4x
MI2502N

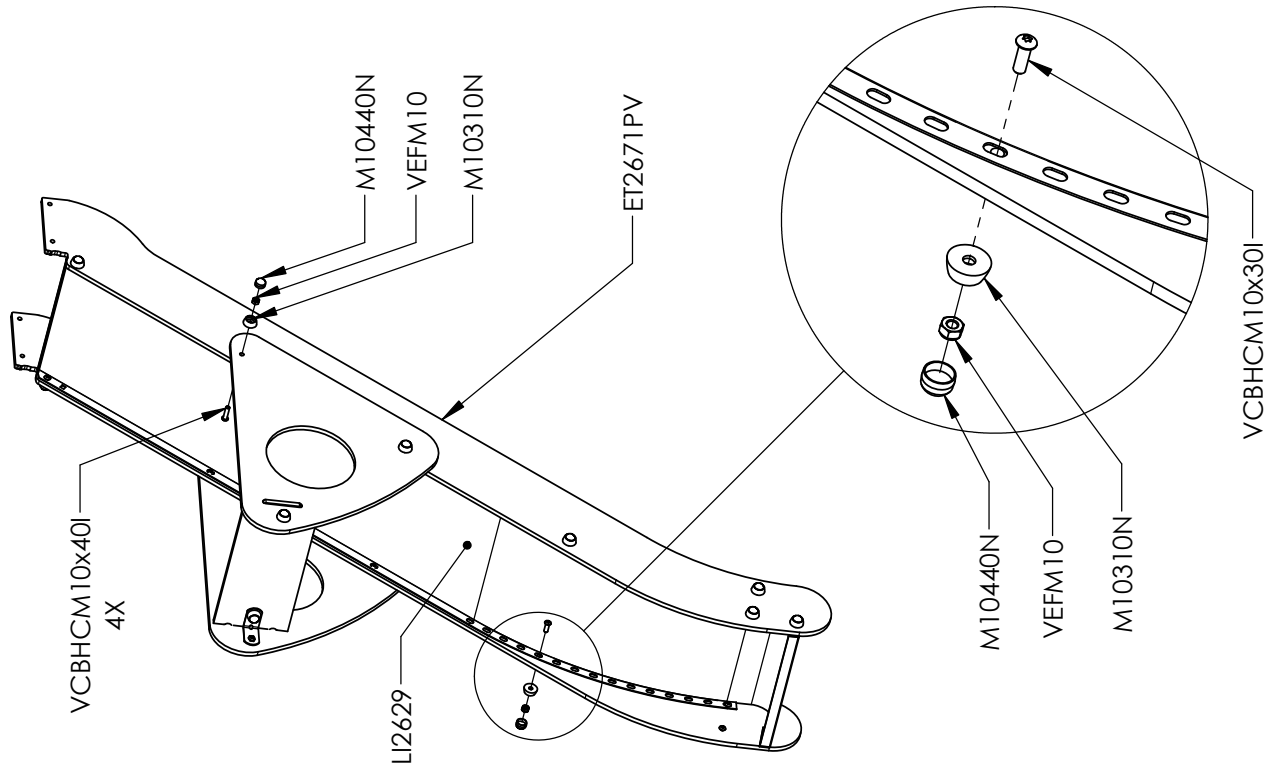


ET2671PV	2
ET3851CH	2
FT3814	1
LI2629	1
LI3838	1
LI4505	4
LI9204	1
M8310N	3
M8440N	3
M10310N	22
M10440N	22
MI2502N	4
P13	2
VCBHC6x25I	8
VCBHC10x30I	18
VCBHC10x40I	4
VEBM6	8
VEFM5	3
VEFM10	22
VFHC5x30	3
VR6x18	3

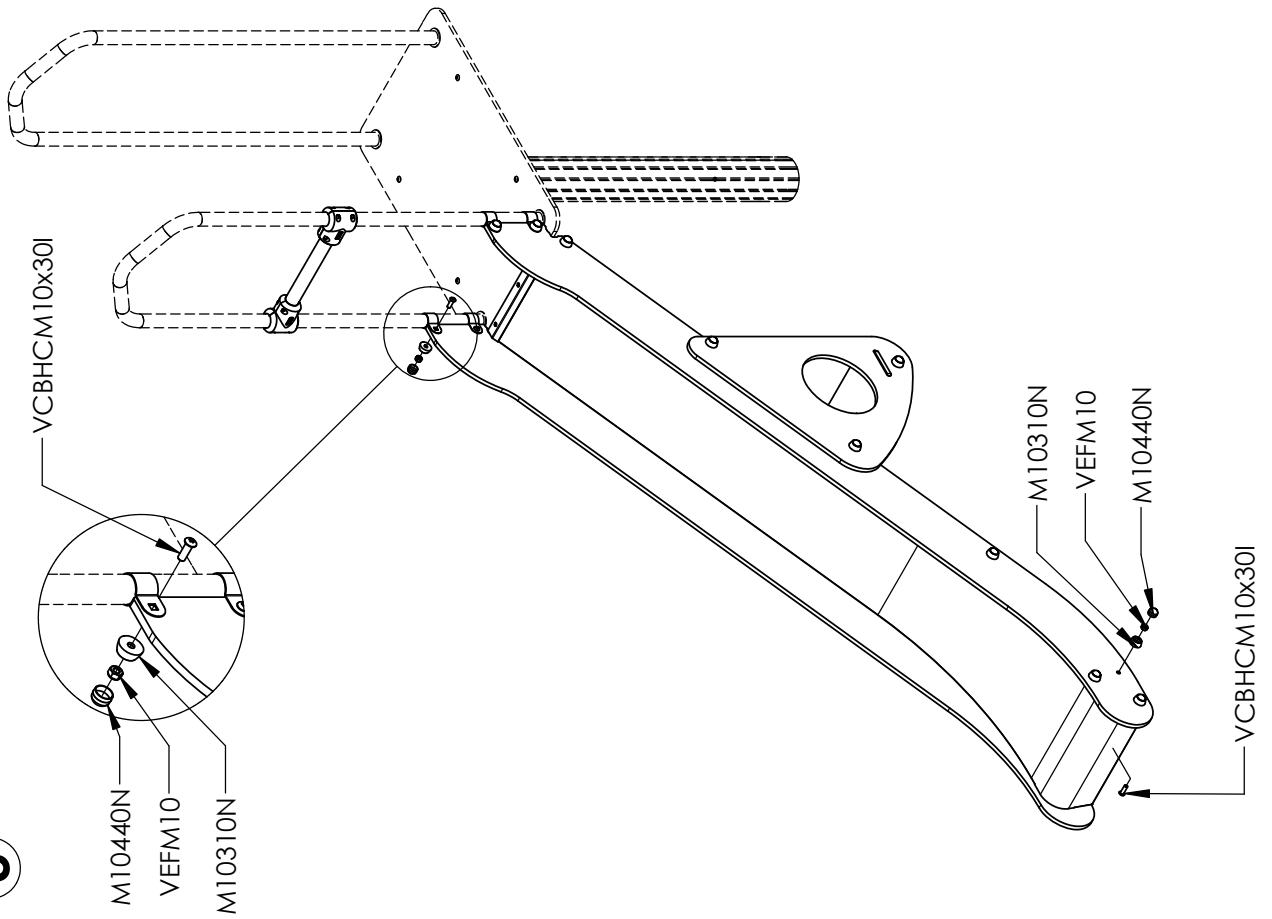
1



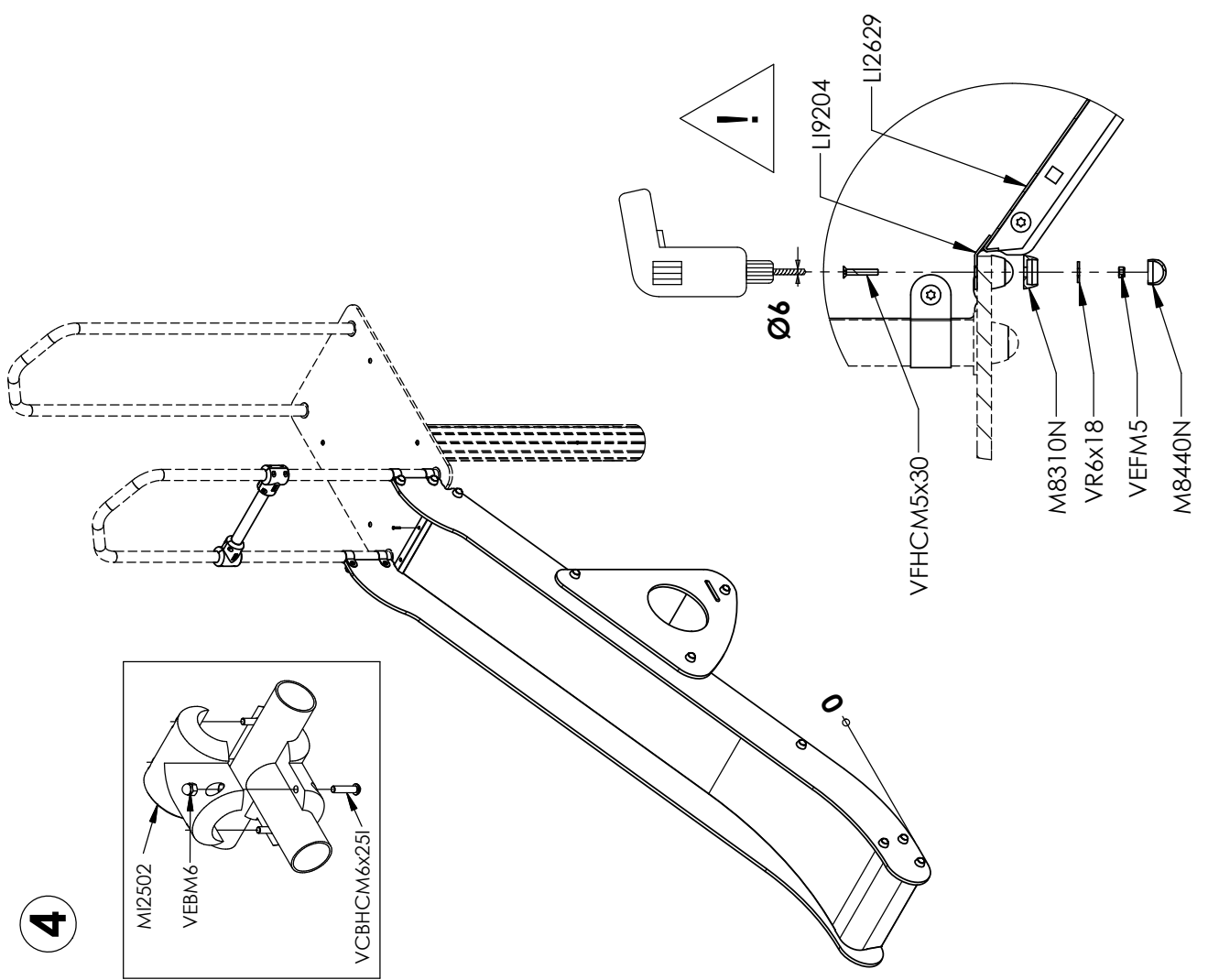
2



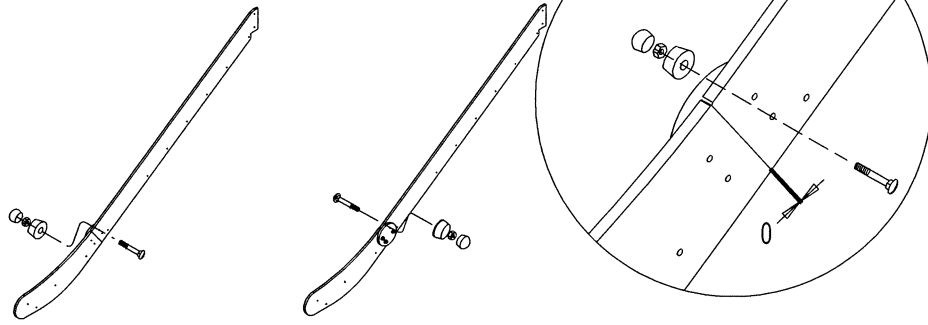
3



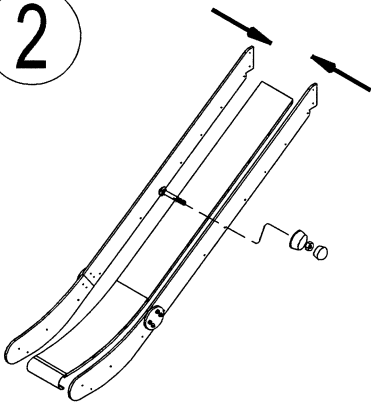
4



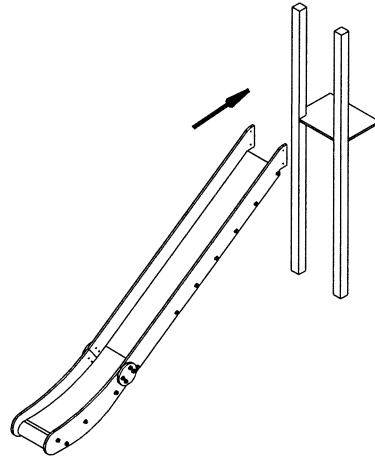
1



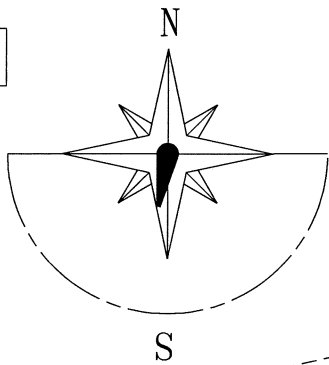
2



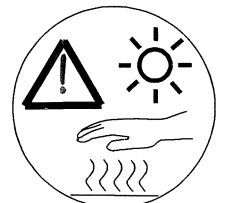
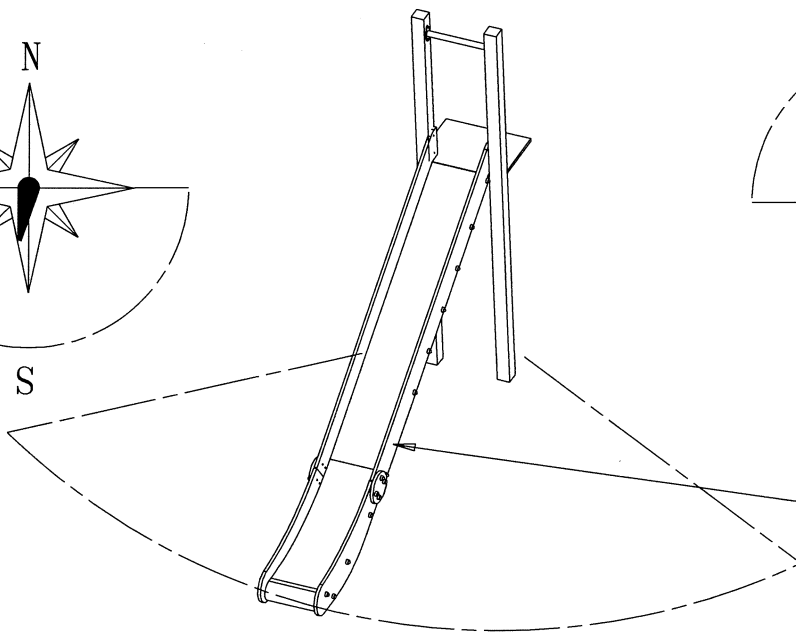
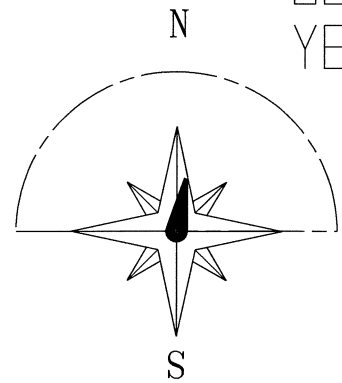
3



NON
NO



OUI
YES



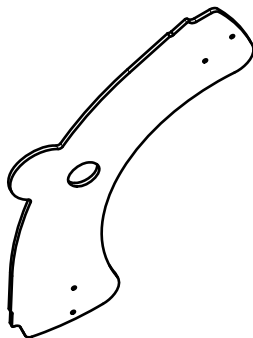
STOBG

FR

Il est recommandé de ne pas orienter la glissière Sud / Sud Ouest

LGP3806A

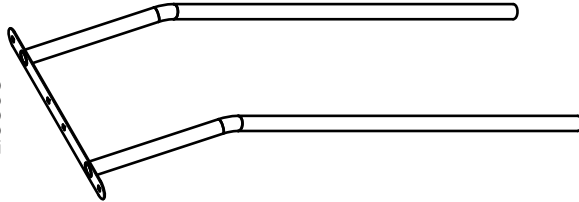
1x
ET3831



1x
LP3800N



2x
LI3858



1x
LG4412



1x
MI025N



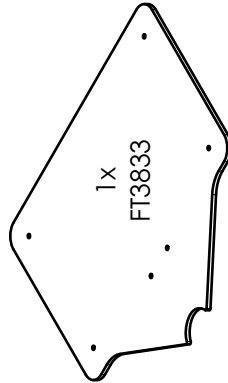
4x
MI4700



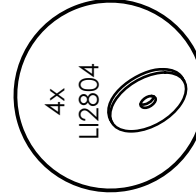
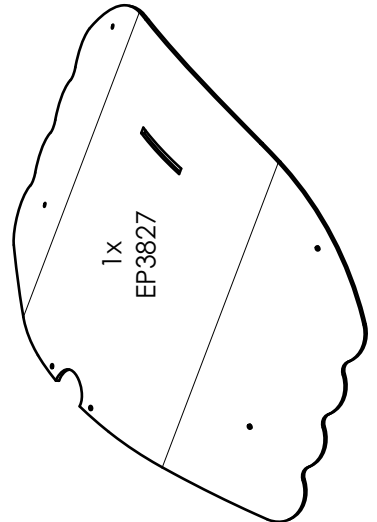
2x
ET3832



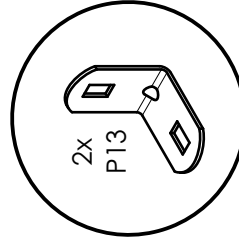
1x
FT3833



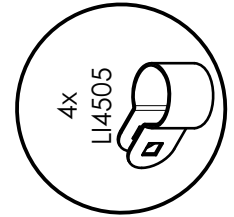
1x
EP3827



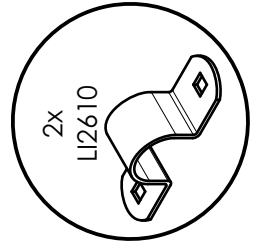
4x
LI2804



2x
P13



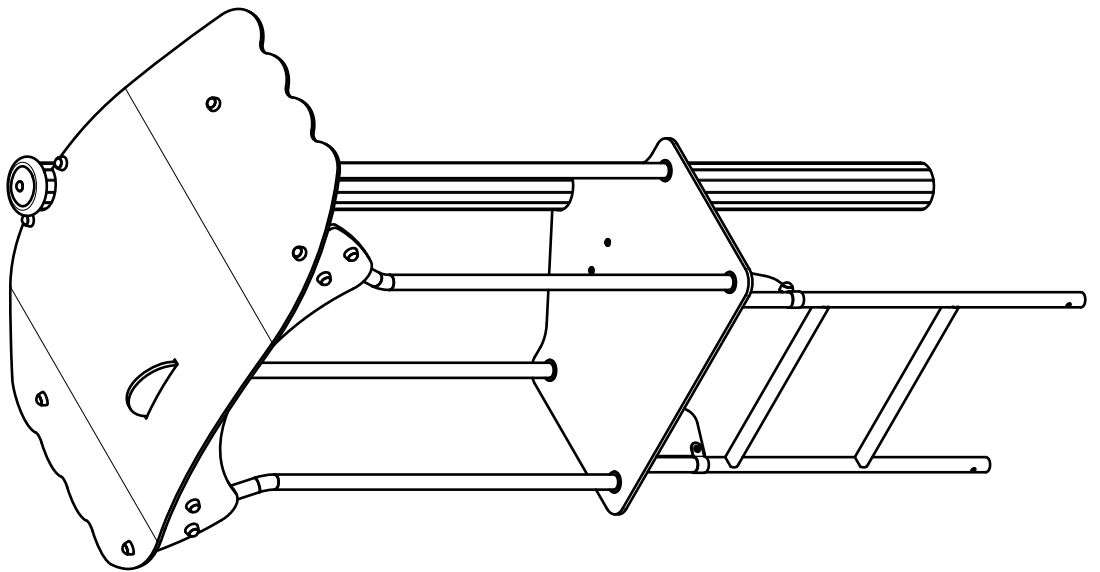
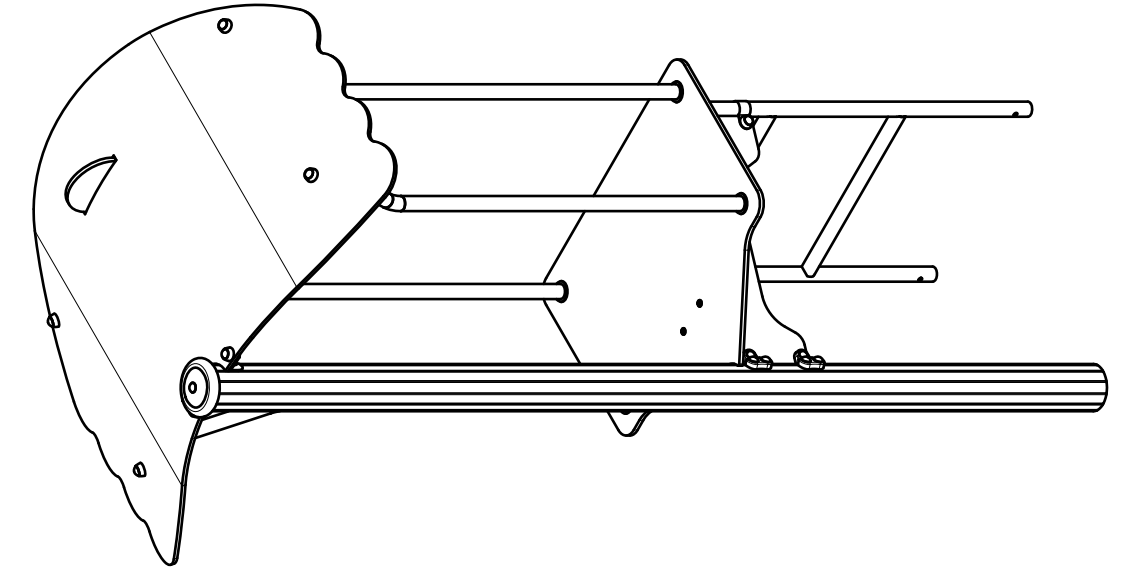
4x
LI4505

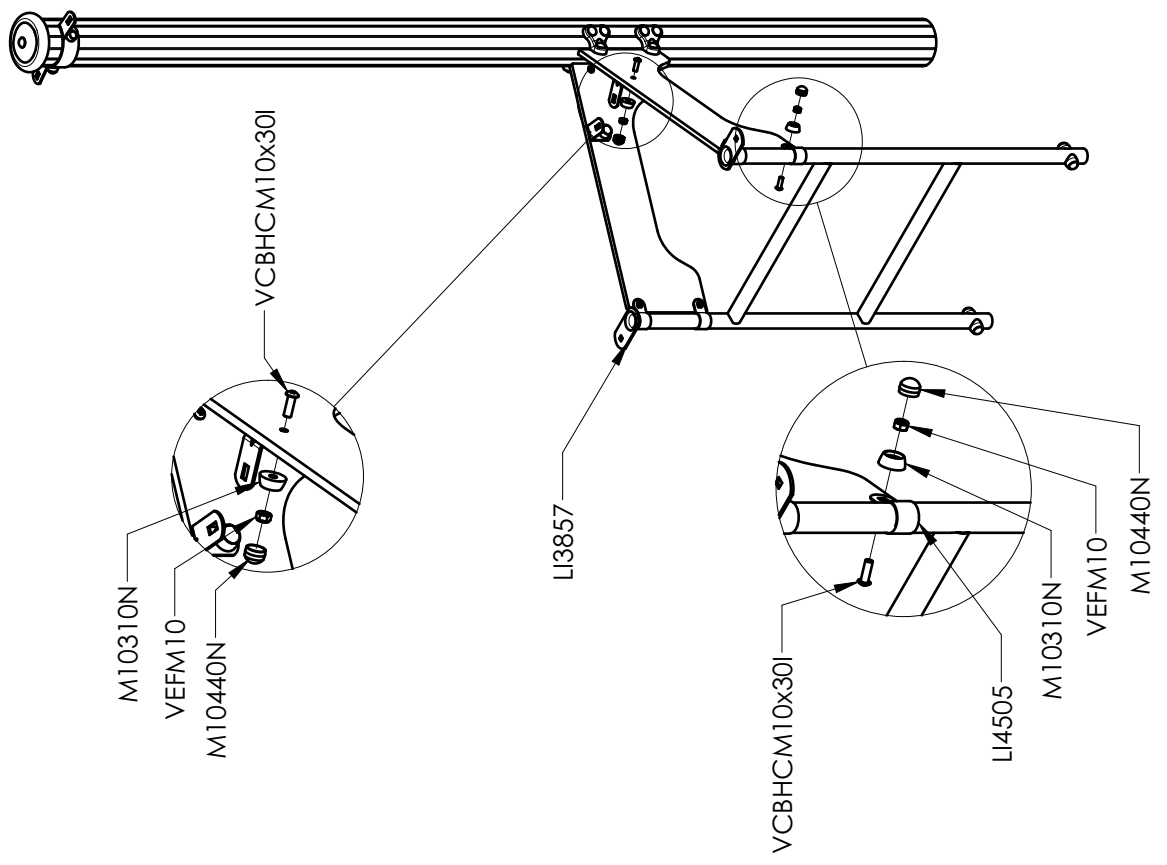
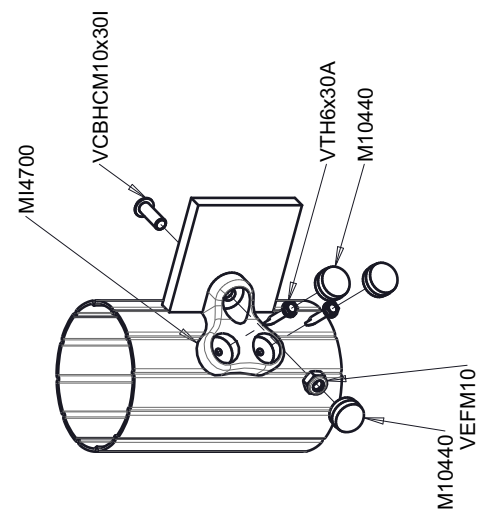
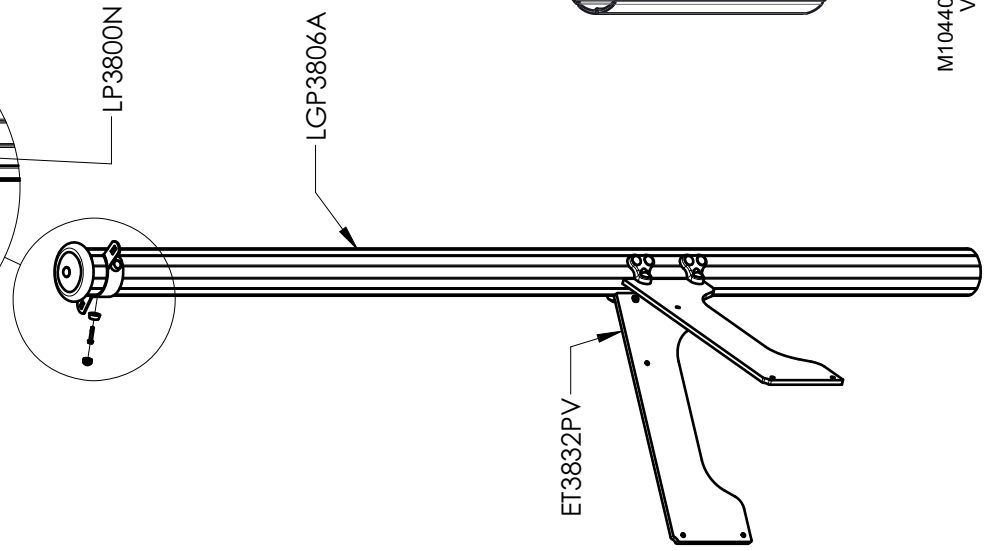
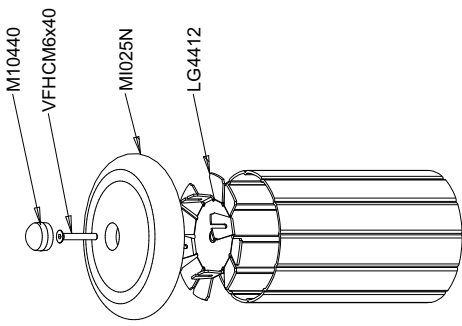
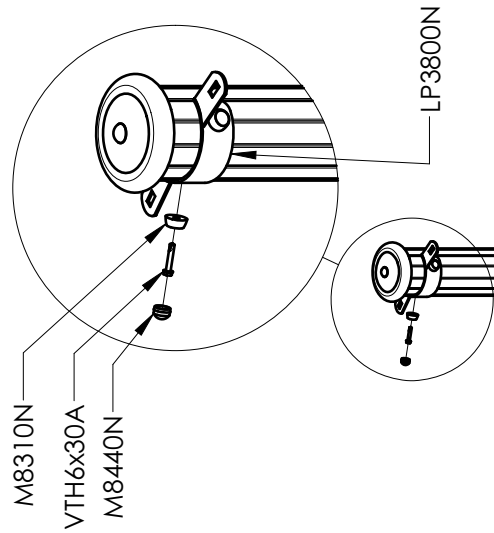


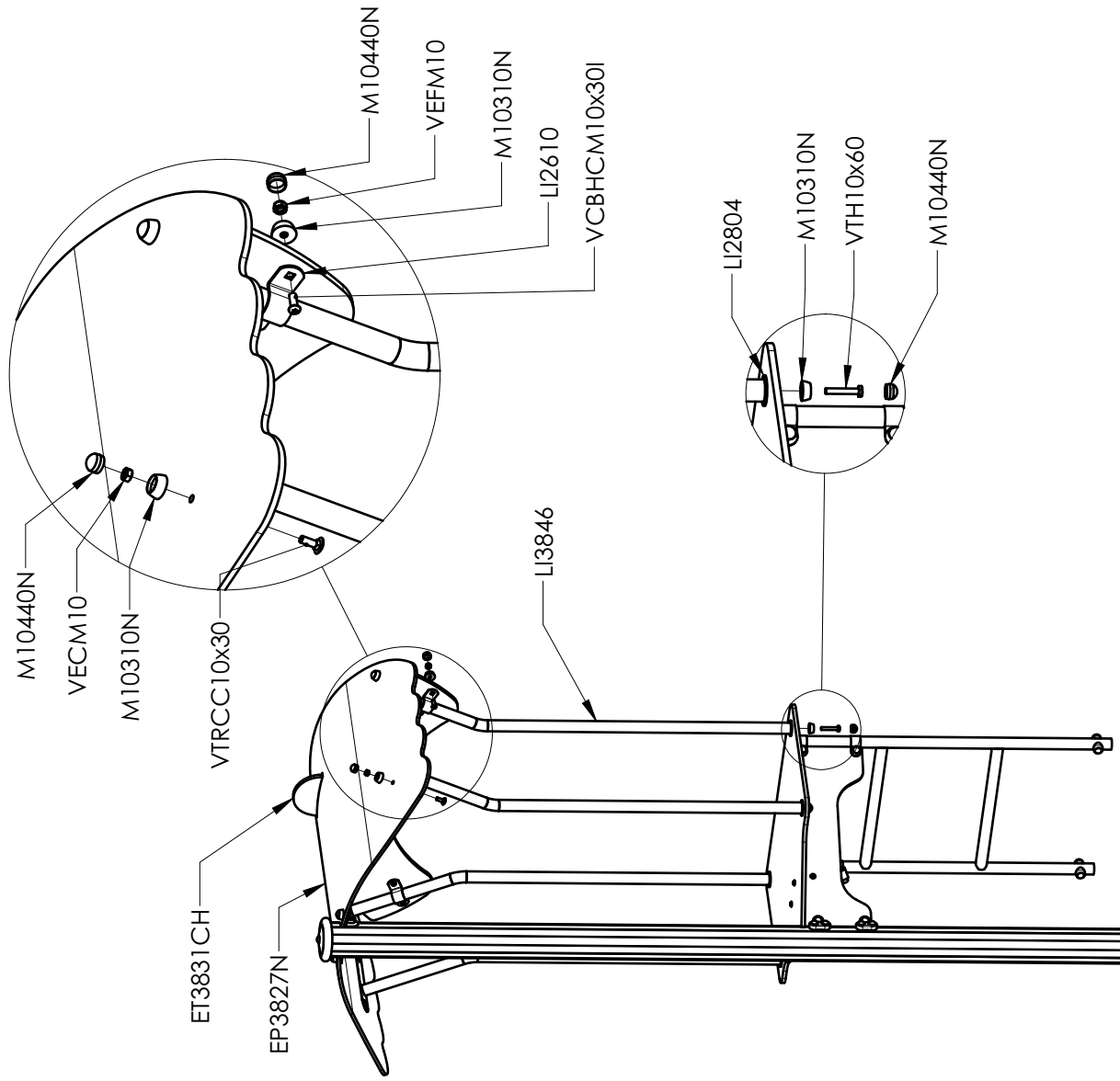
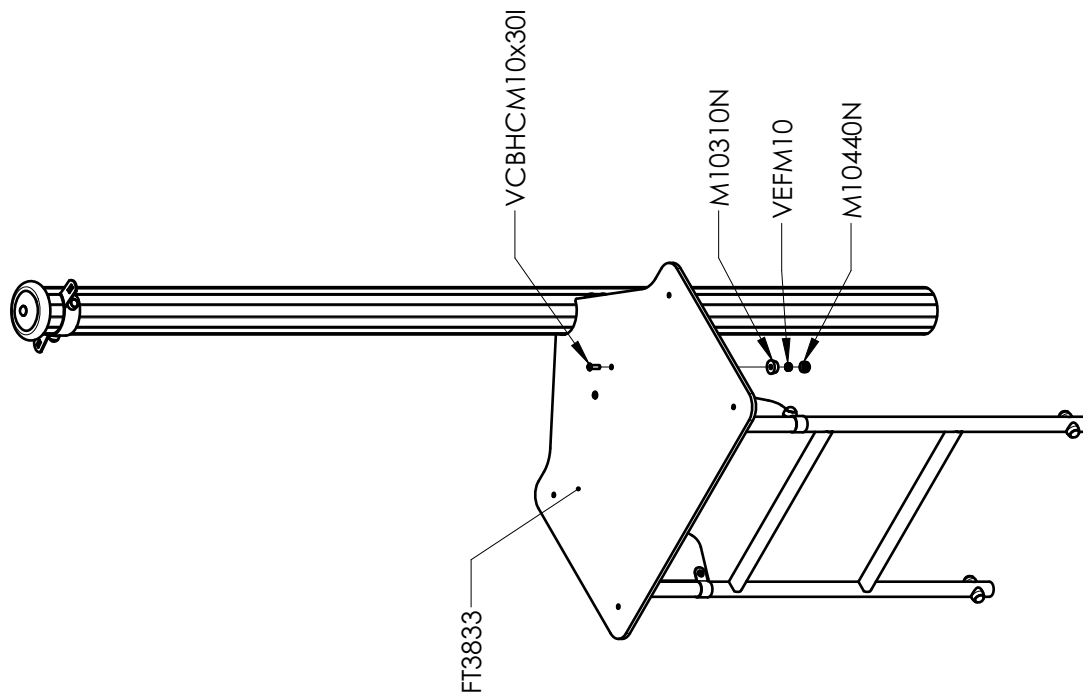
2x
LI2610

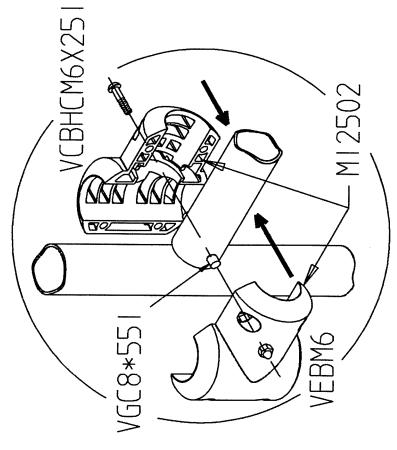
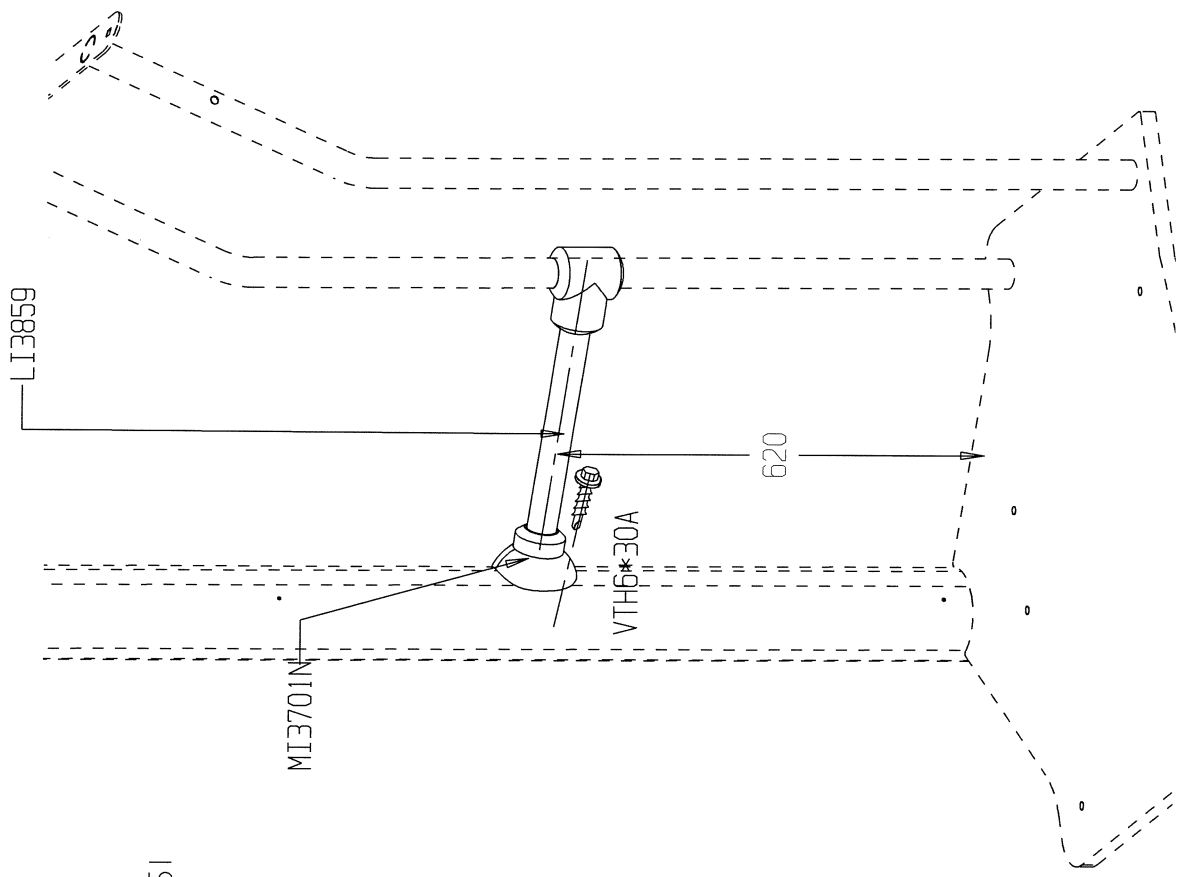
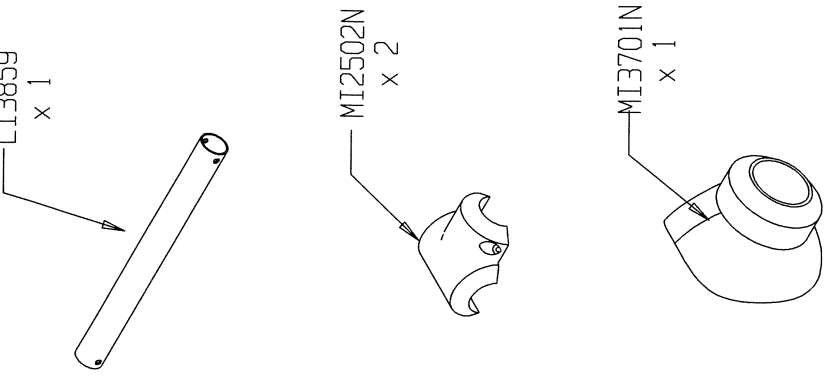
REF	QTE
EP3827N	1
ET3831CH	1
ET3832PV	2
FT3833	1
LG4412	1
LGP3806A	1
LI2610	2
LI2804	4
LI3855	1
LI3858	2
LI4505	4
LP3800N	1
M8310N	2
M8440N	2
M10310N	22
M10440N	35
MI025N	1
MI4700	4
P13	2
VCBHC10x30I	16
VECM10	6
VEFM10	16
VFHCM6x40	1
VTH6x30A	10
VTH10x60	4
VTRCC10x30	6



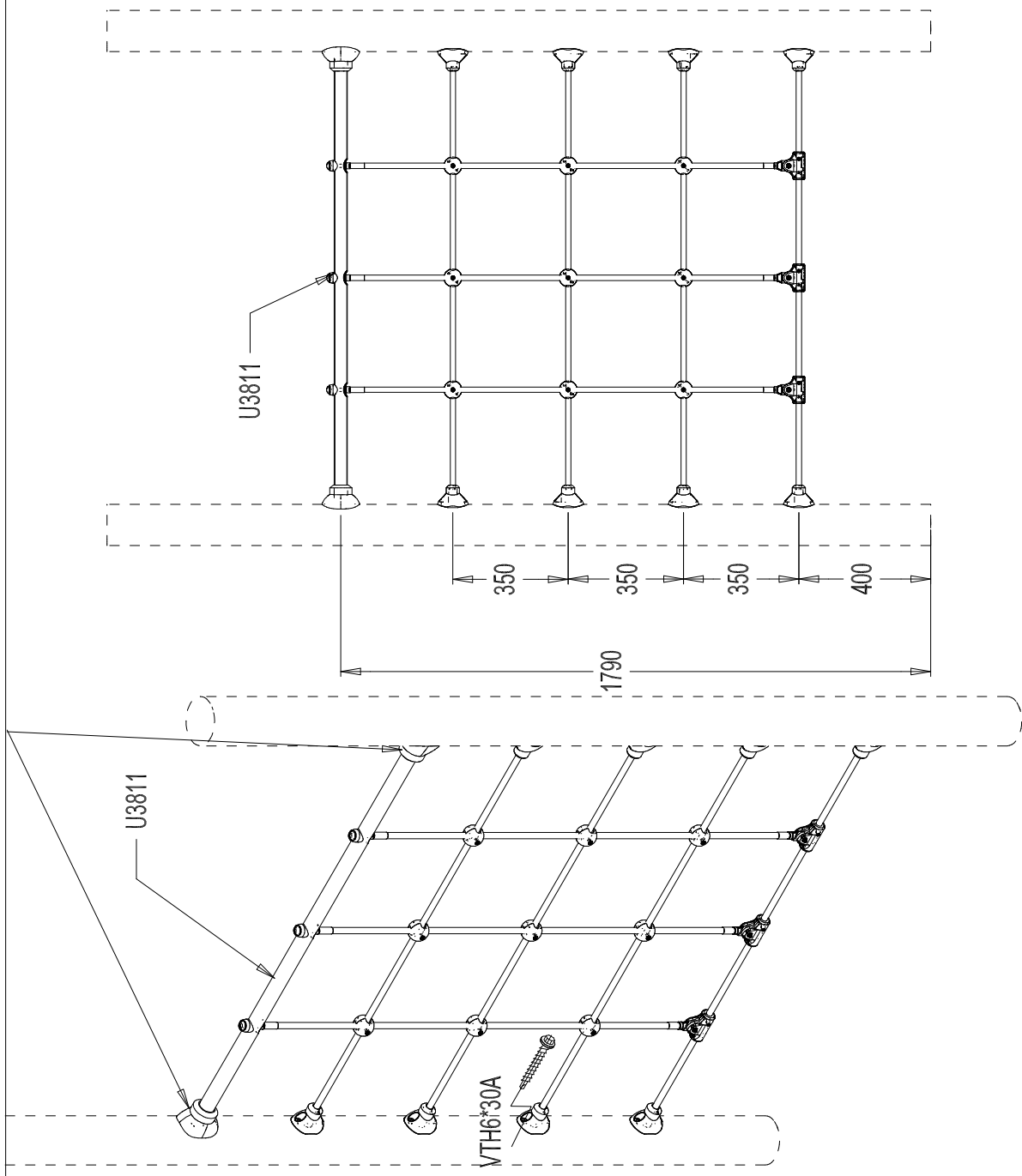
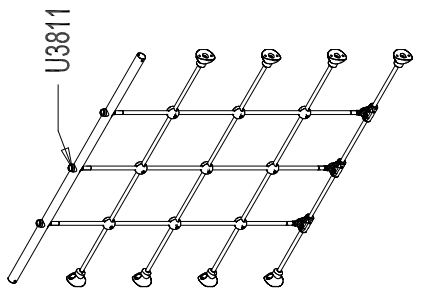
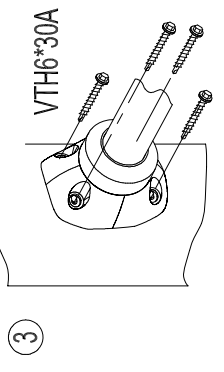
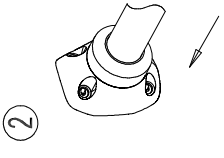
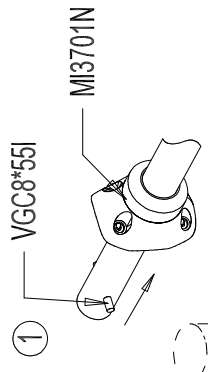




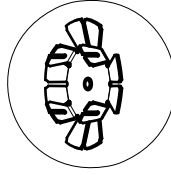
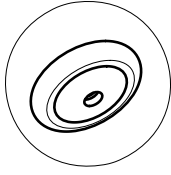
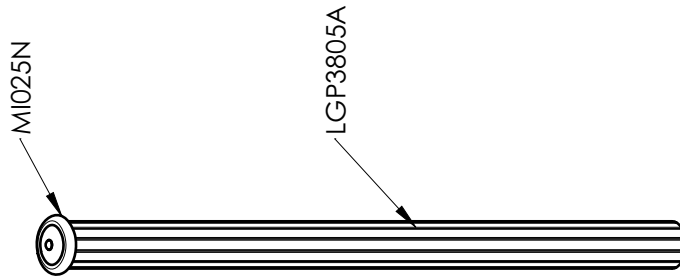
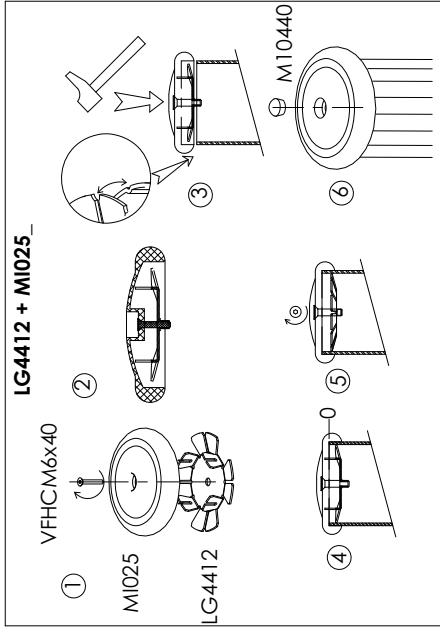




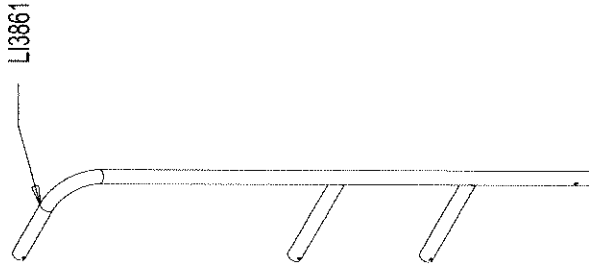
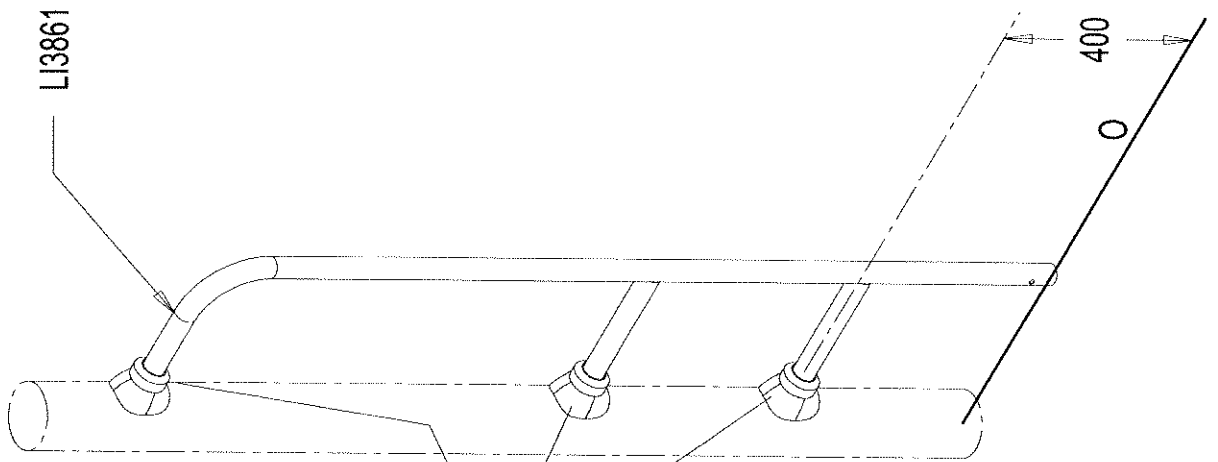
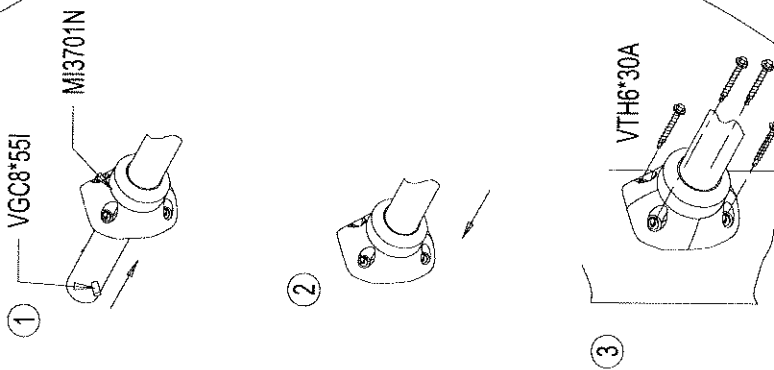
	VGC8*55I	2
	VEBM6	4
	VCBHC6*25I	4
	VTH6*30A	4


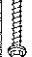



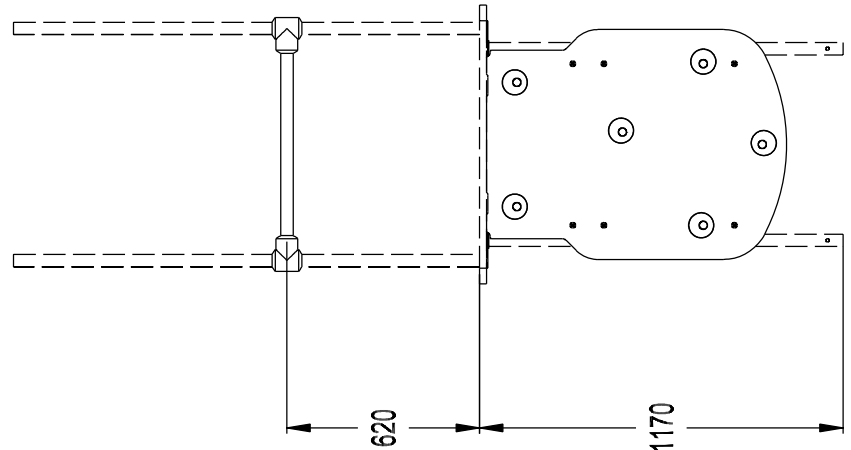
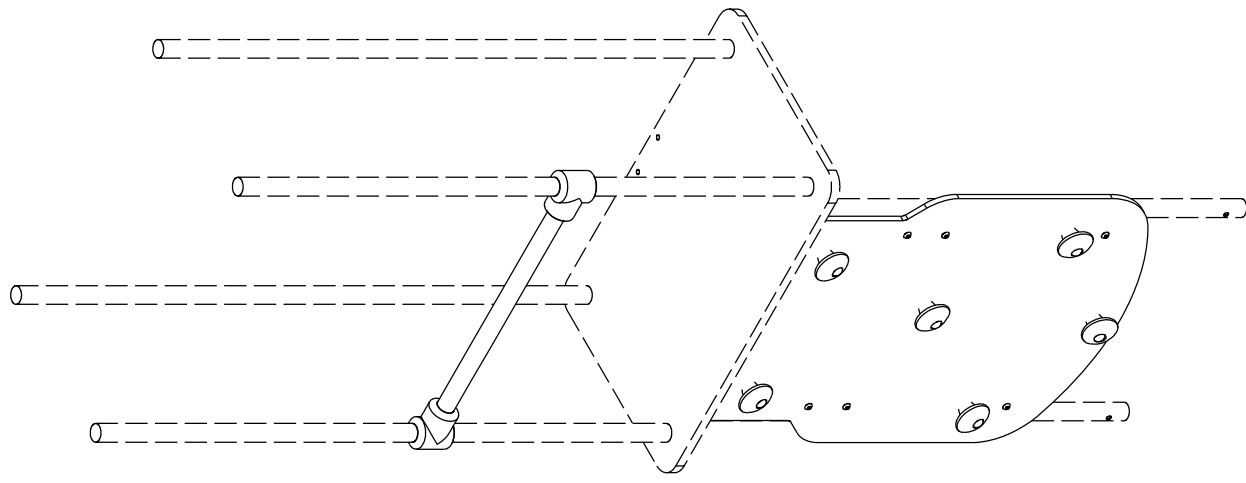
	VGC8*55I	2
	VTH 6x30A	24
	M13701N	2



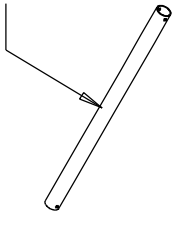
Réf	Qté
LG4412	1
LGP3805A	1
M10440N	1
MI025N	1
VFHCM6x40	1



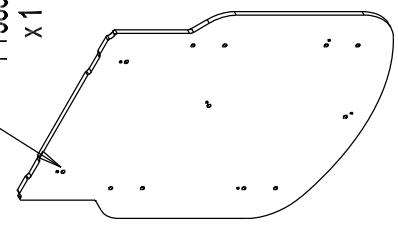
	VGC8*55I	3
	VTH 6x30A	12
	MI3701N	3



LI3740
x1



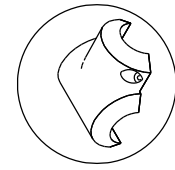
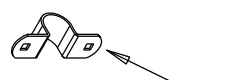
FT3838
x1



MI3800VX x2
MI3800J x2
MI3800O x2

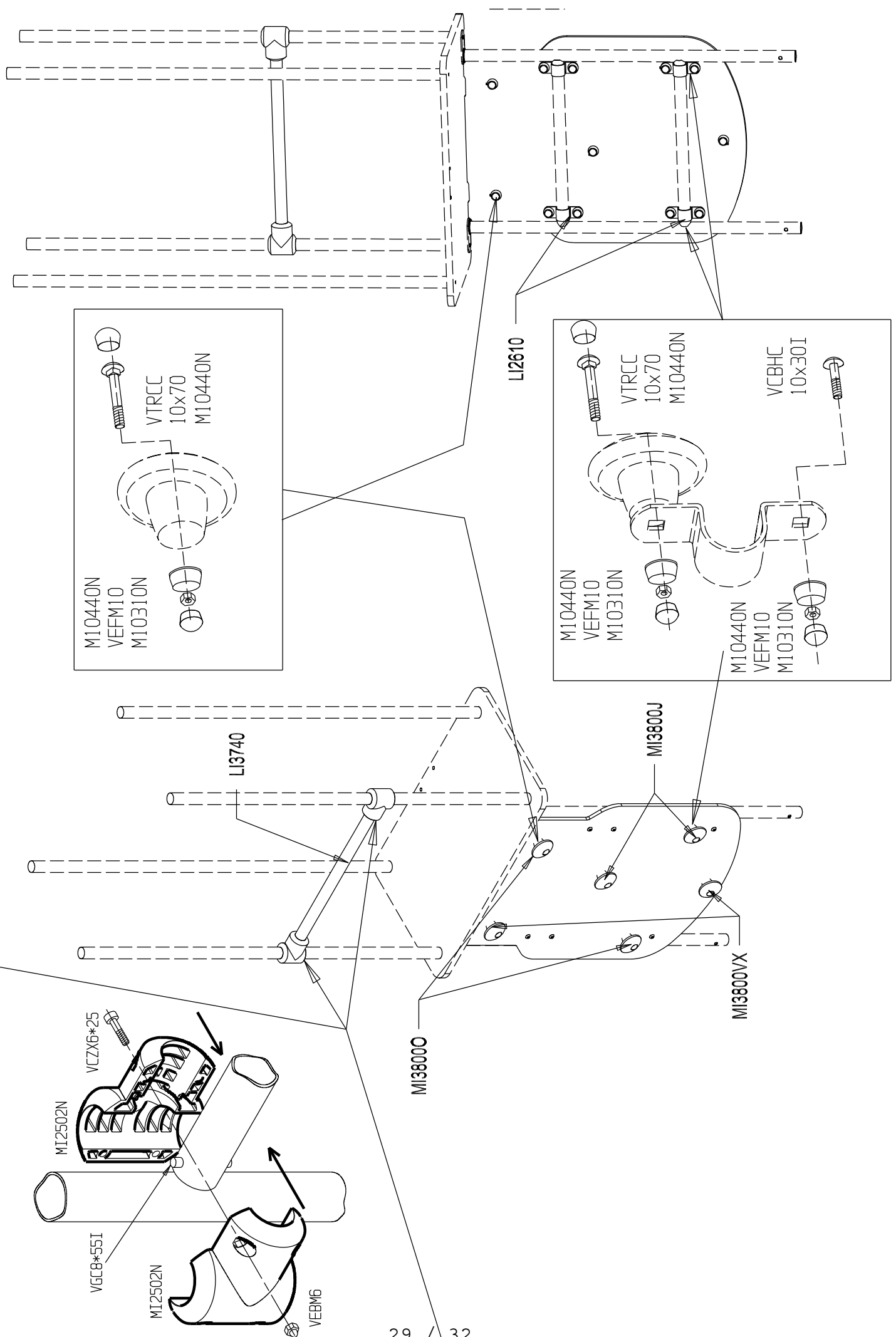


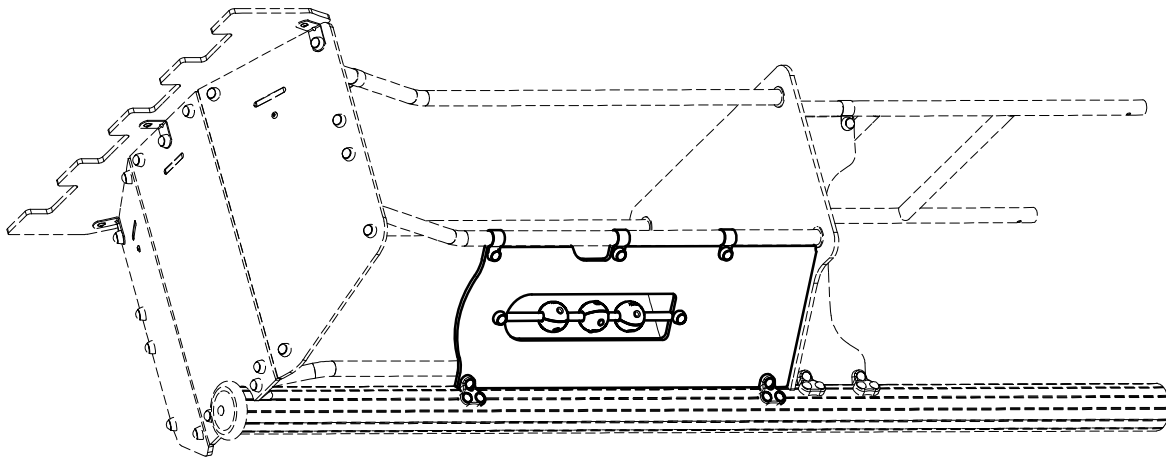
LI2610
x4



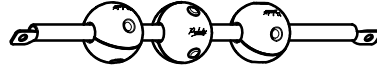
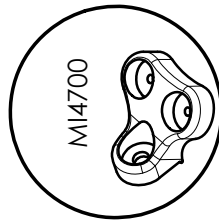
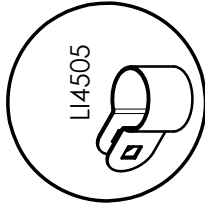
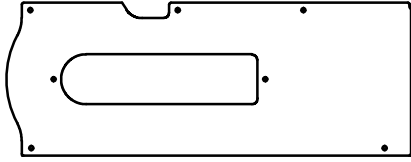
MI2502N x4

	VCZX 6x25	8
	VEBM6	8
	VCBHCM10*30I	6
	VTRCC10x70	6
	M10310N	12
	M10440N	18
	VEFM10	12



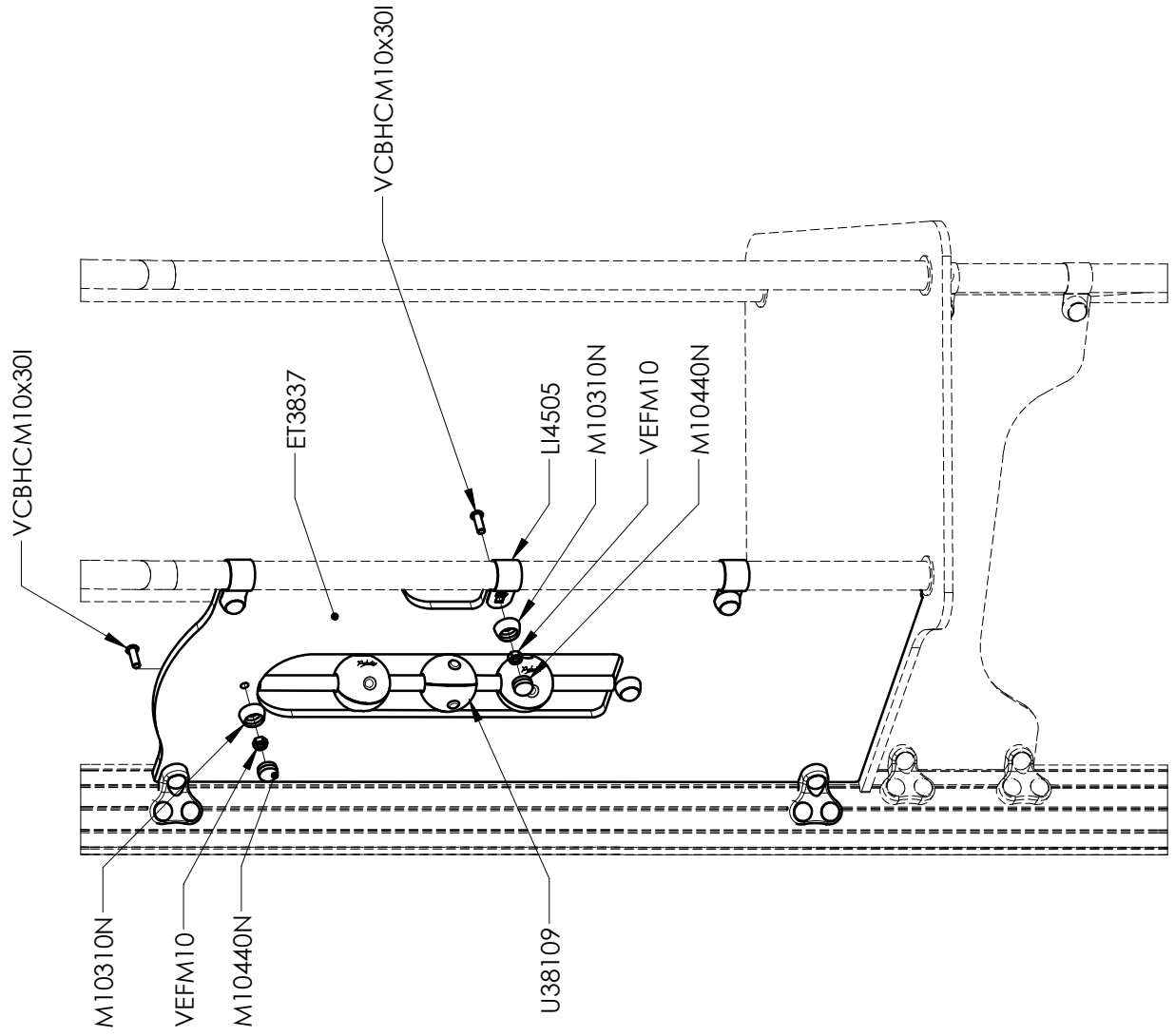


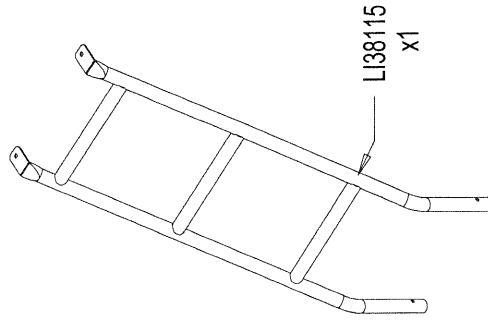
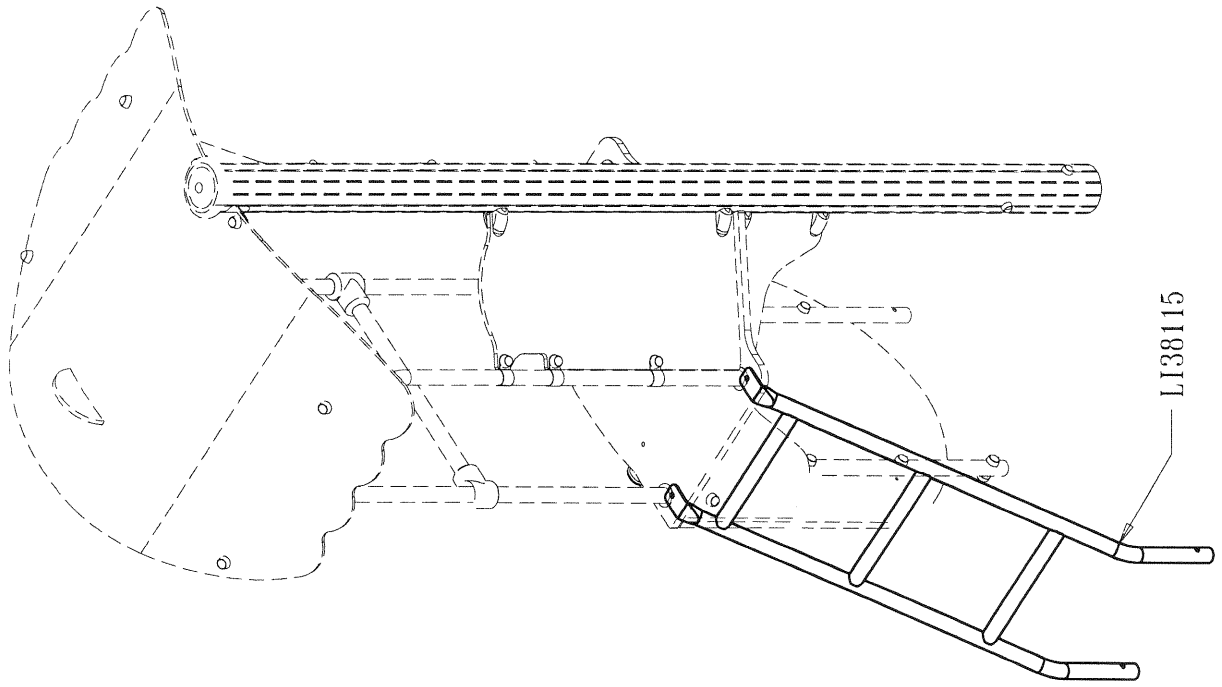
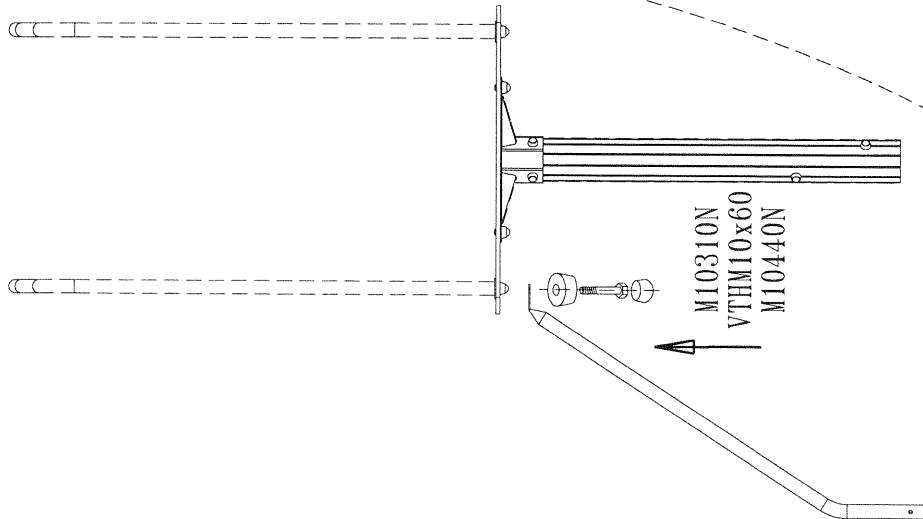
ET3837






U38109

Réf	Qté
ET3837L	1
LI4505	3
M10310N	5
M10440N	11
MI4700	2
U38109	1
VCBHC M10x30I	7
VEFM10	7
VTH6x30A	4





	VTH 10x60	?
	M10310N	2
	M10440N	2