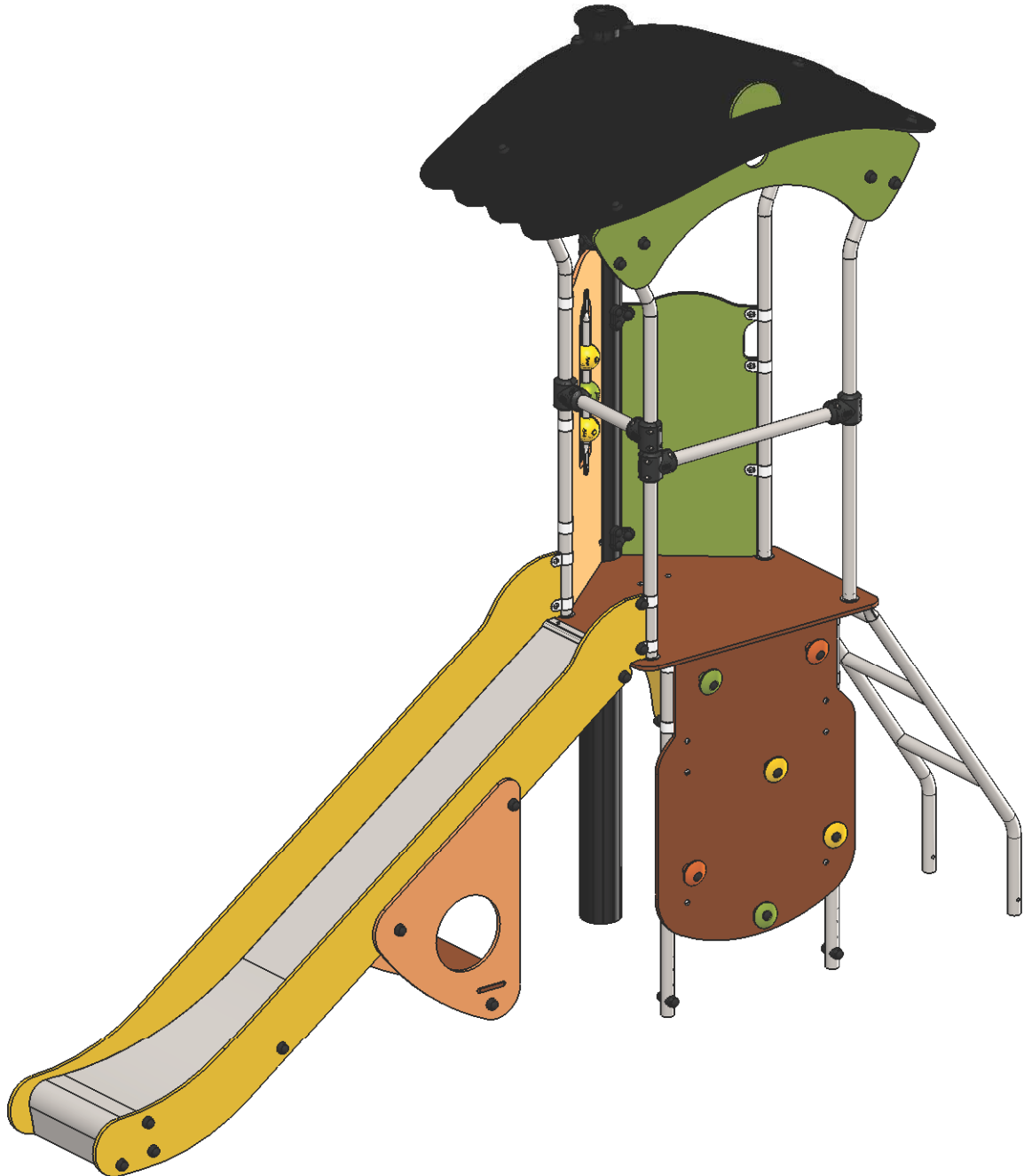
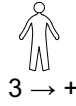


J3865

Proludic





Pro ludie

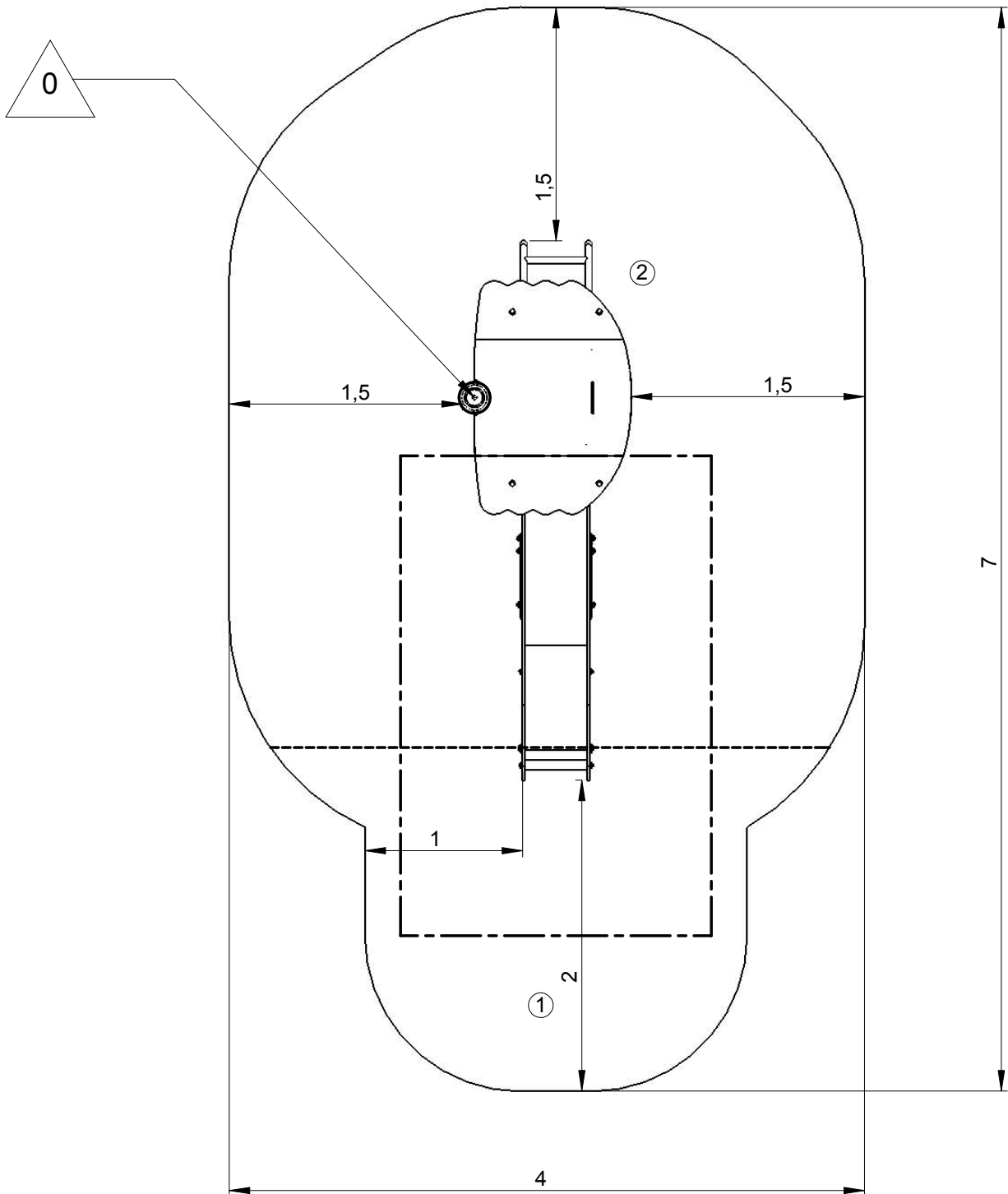
N°		
1	1 m	5.5 m ²
2	1.17 m	18 m ²

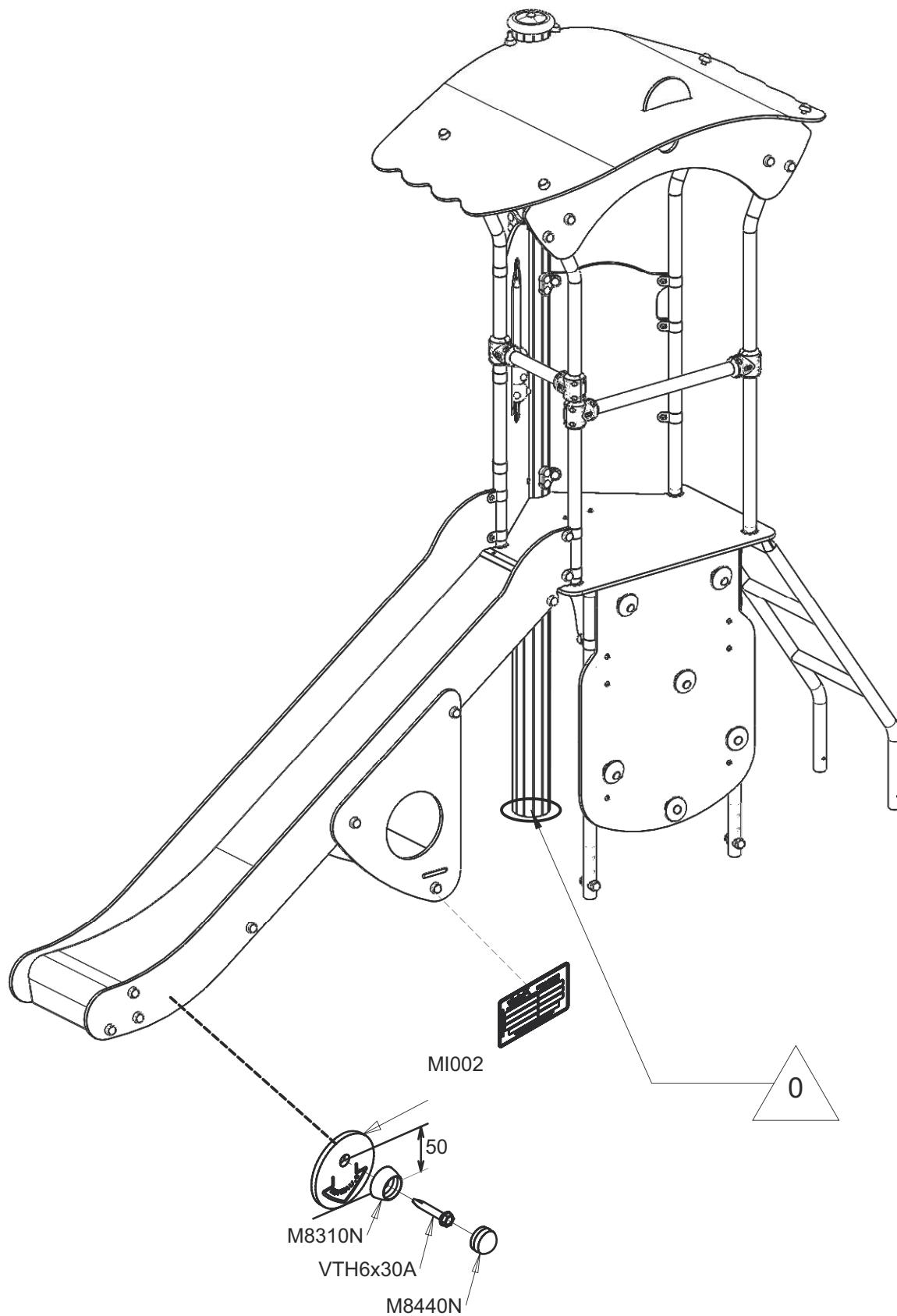
— Zone d'impact
Impact area
Area de impacto
Fallraum
Valzone

△ 0 Point de référence
Setting out point
Punto de referencia
Bezugspunkt
Referentiepunt

- - - Espace libre
Free space
Espacio libre
Freiraum
Vrije ruimte

EN1176-1:2017
EN1176-3:2017

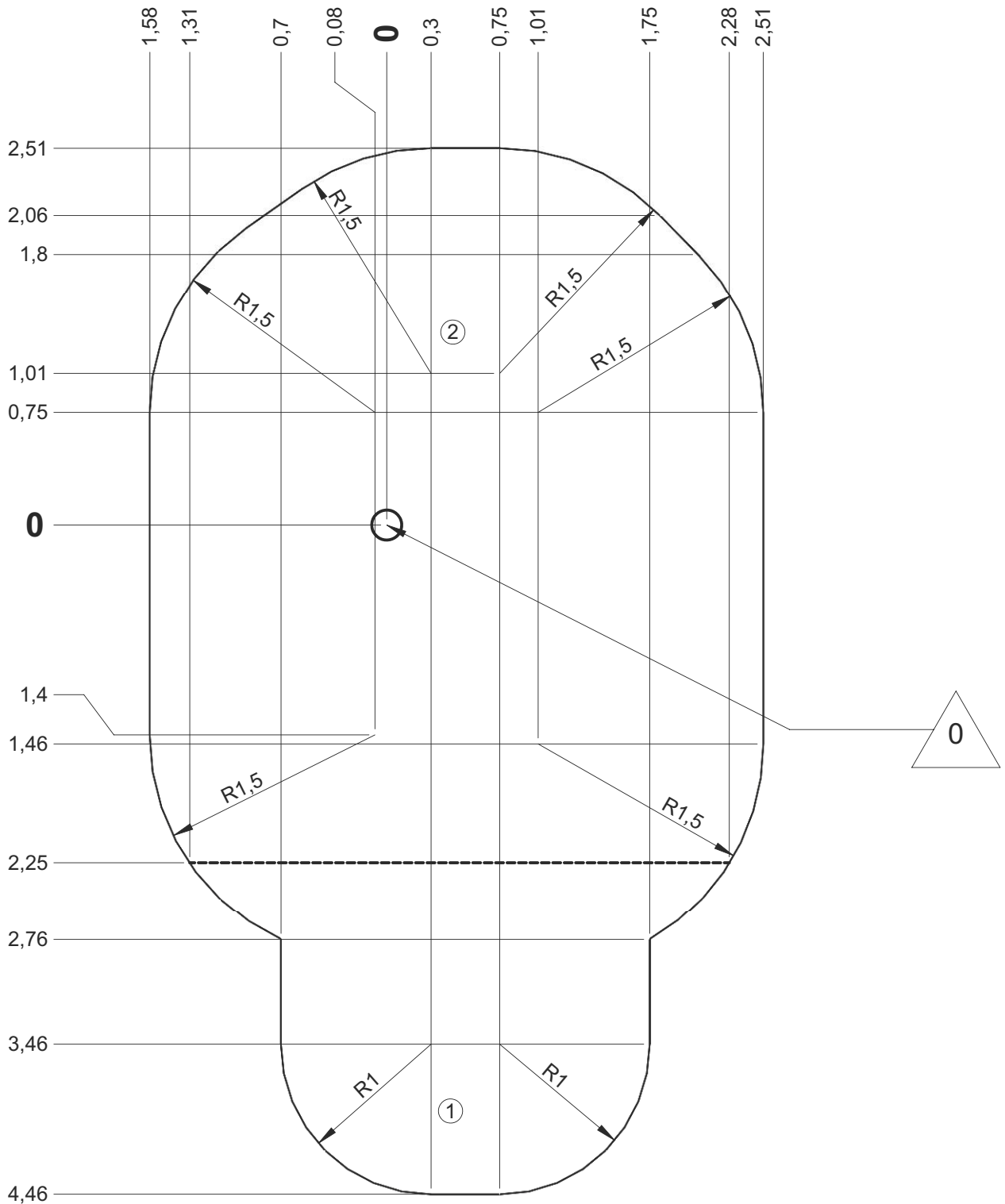




— Zone d'impact
 Impact area
 Area de impacto
 Fallraum
 Valzone

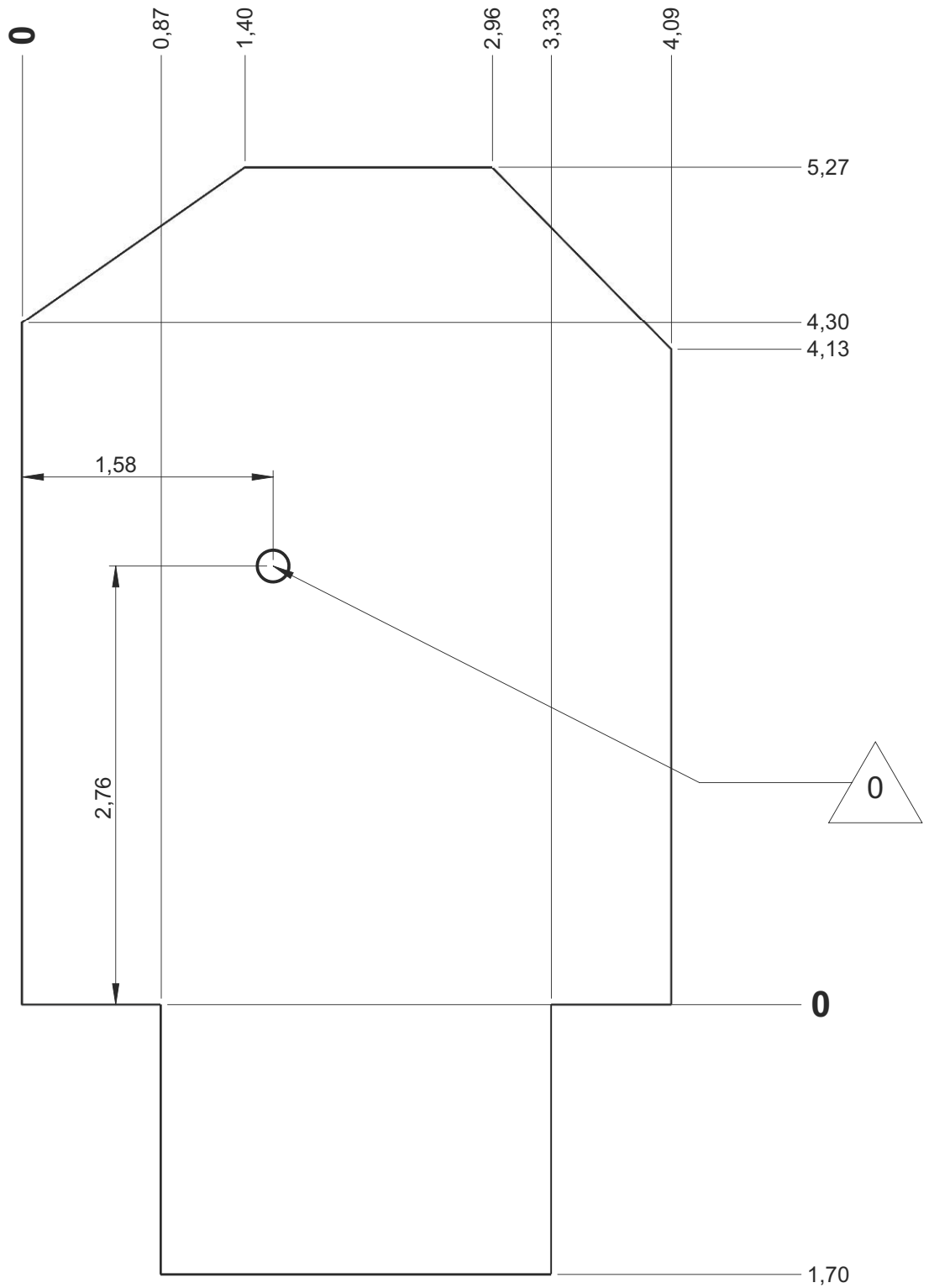
23.5 m²

Sol souple
 Wetpour
 Caucho continuo
 Synthetischer fallschutz
 Gietvloer

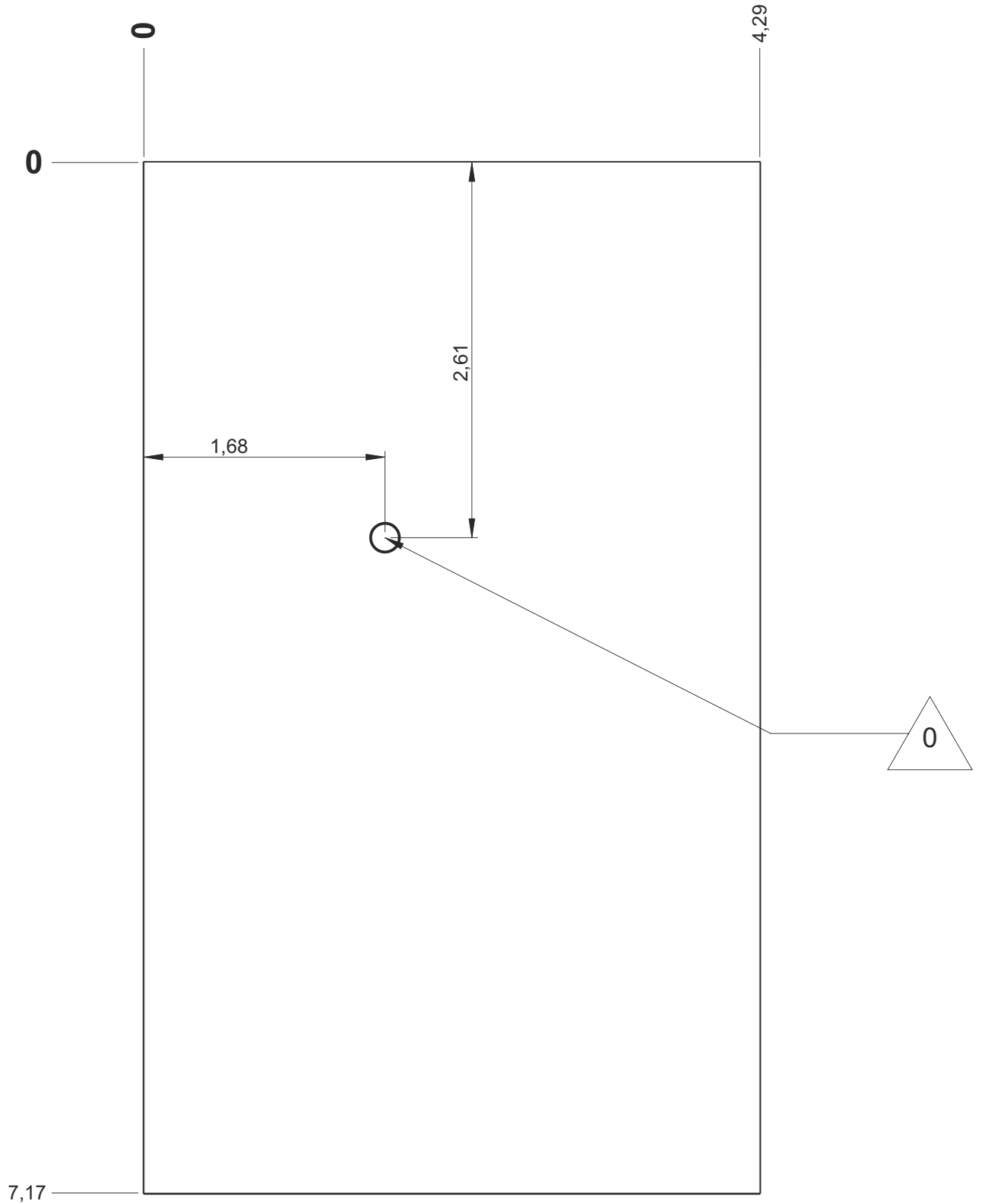


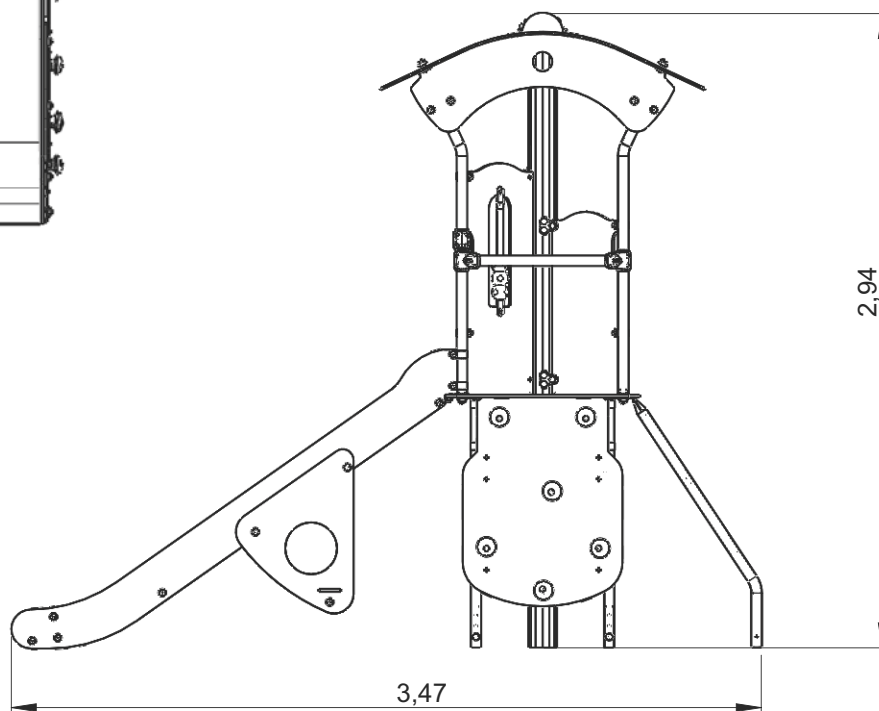
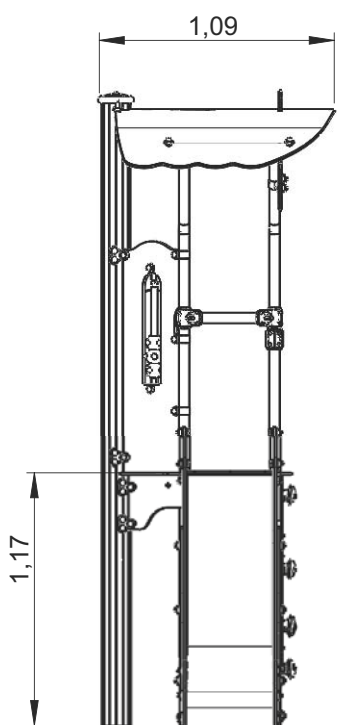
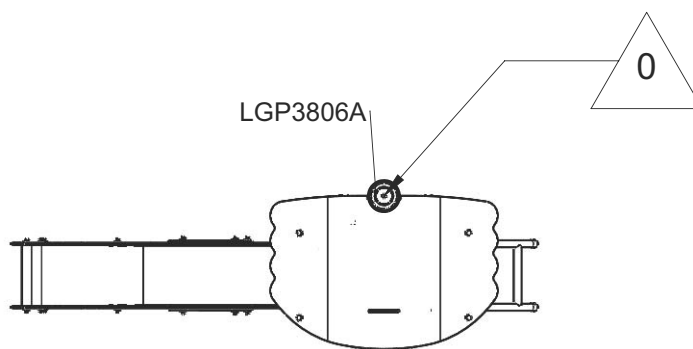
— Dalle béton
 Concrete pad
 Solera de hormigon
 Beton bodenplatte
 Betonnen bodemplaat

21 m
 25 m²

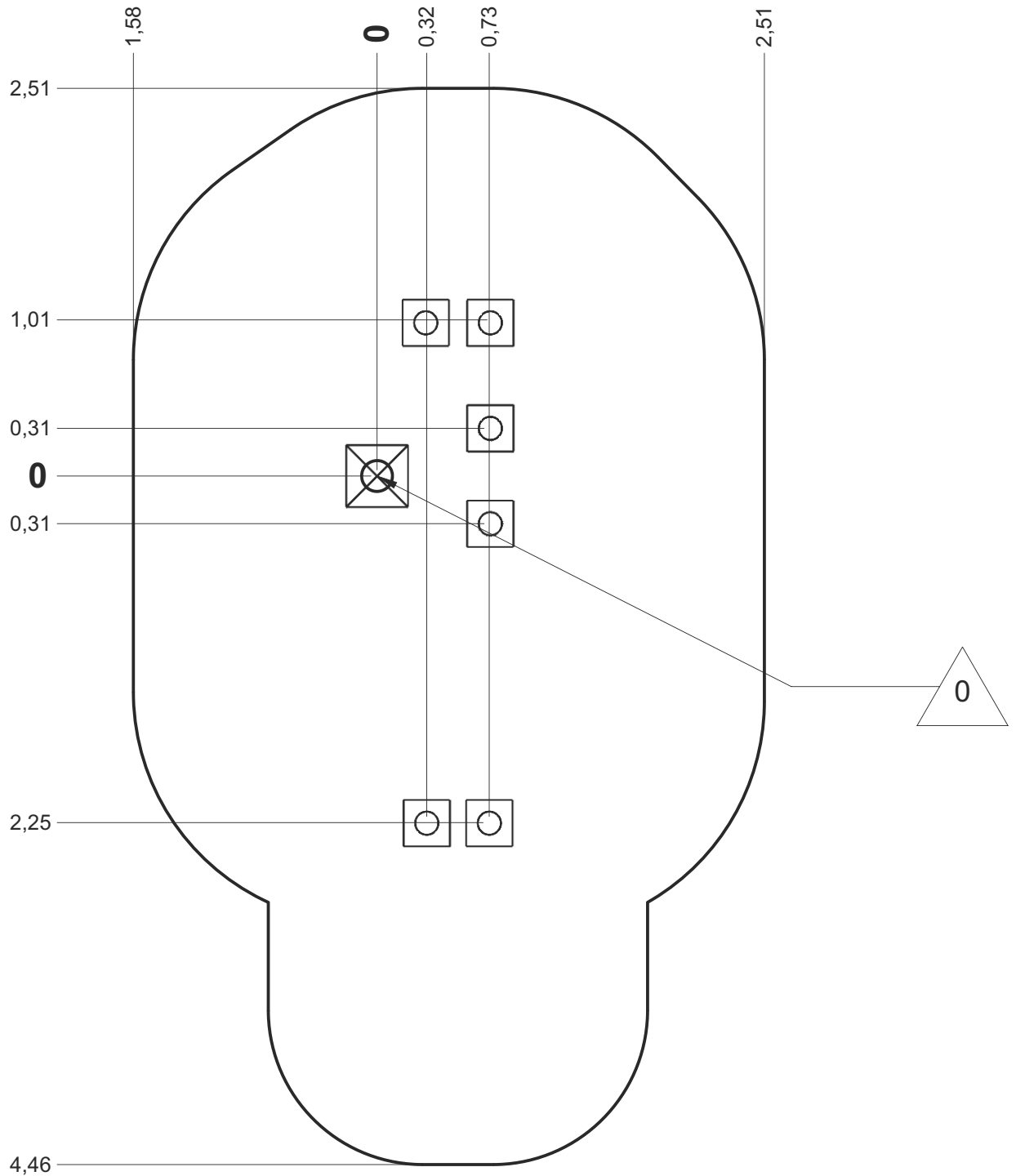


— Sol fluent
Loos partucule material 24 m
Arenero
Loses Bodenmaterial 31 m²
Los bodemateriaal

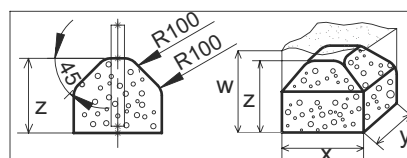







Implantation
 Footing plan
 Implantación
 Fundamentplan
 Funderingstekening

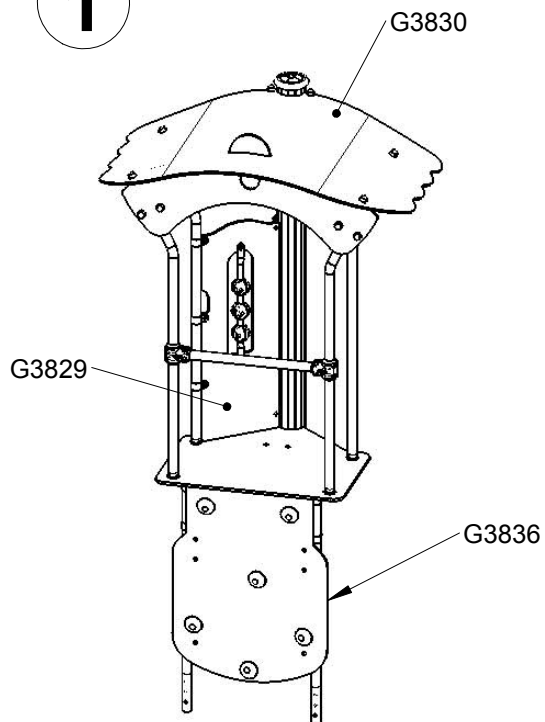


 x2
 8H
 0.1 m³

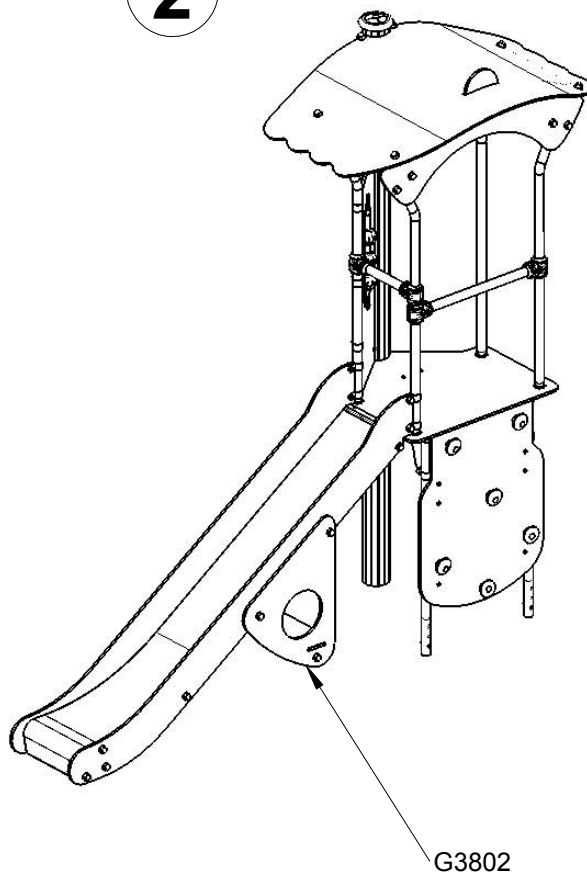


	x	y	z	w
	0.3	0.3	0.3	0.6
	0.4	0.4	0.3	0.6
	0.6	0.3	0.3	0.6

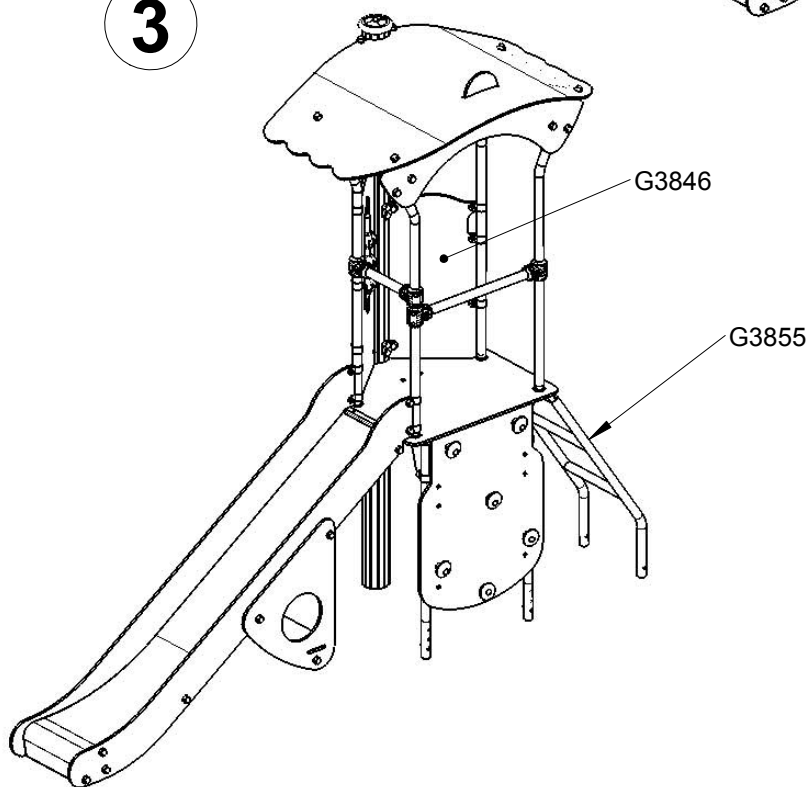
1



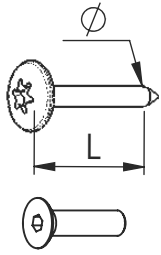
2



3

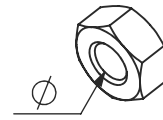


Réf	Qté
G3802	1
G3829	1
G3830	1
G3836	1
G3846	1
G3855	1

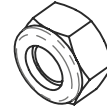


VBT 6 x 30
 \varnothing \uparrow L (mm)

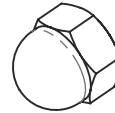
VFHC



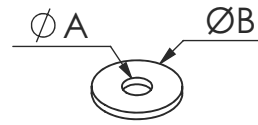
VEC M10
 \varnothing




VEF




VEB



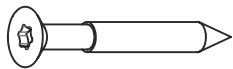
VR6x18
 $\varnothing A$ $\varnothing B$



1000 - 1800 tr/min
 Vitesse de rotation
 Rotation speed



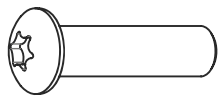
14 N.m
 Couple de rupture
 Torque of break



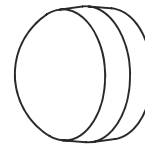
VWT



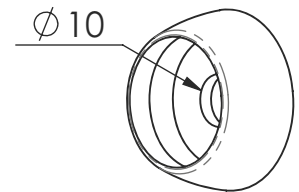
VGC



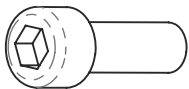
VCBHC



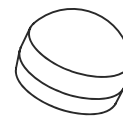
M10 440N



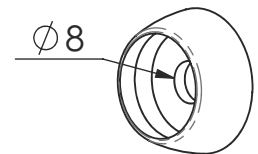
M10 310 N



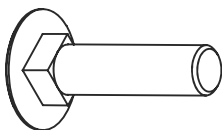
VBTR



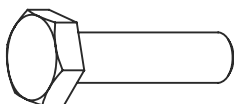
M8440N



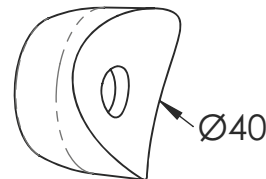
M8310N



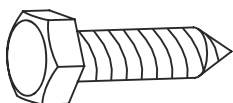
VTRCC



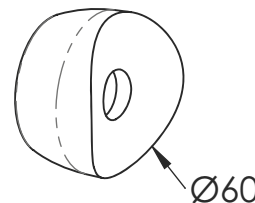
VTH



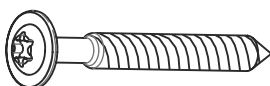
MI2503



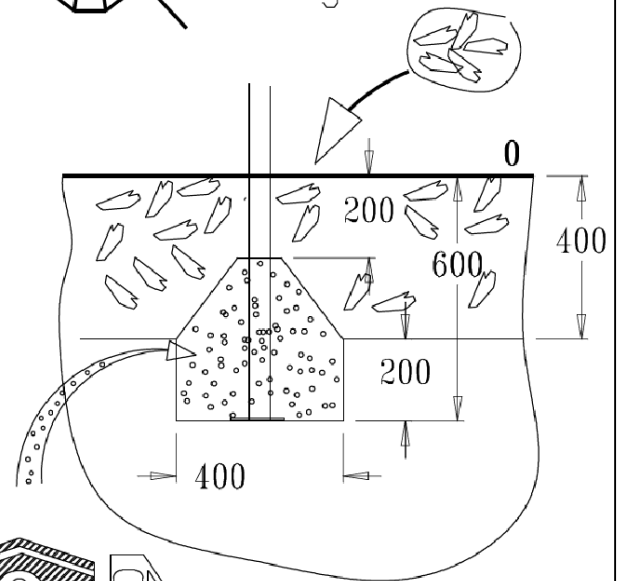
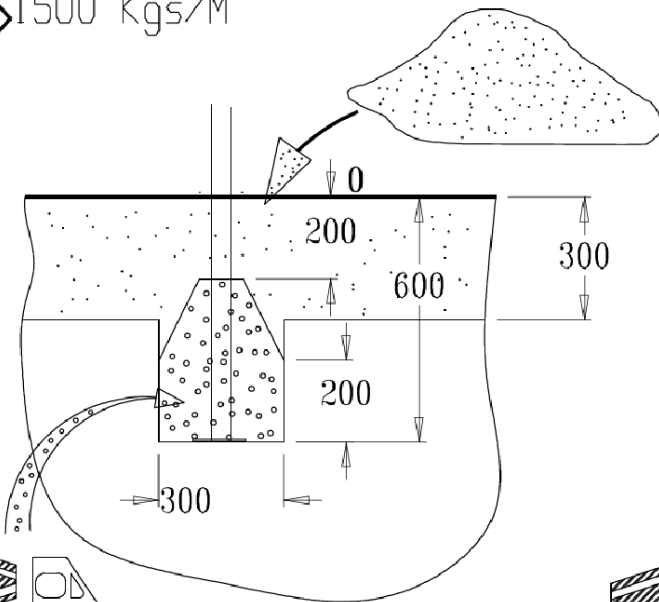
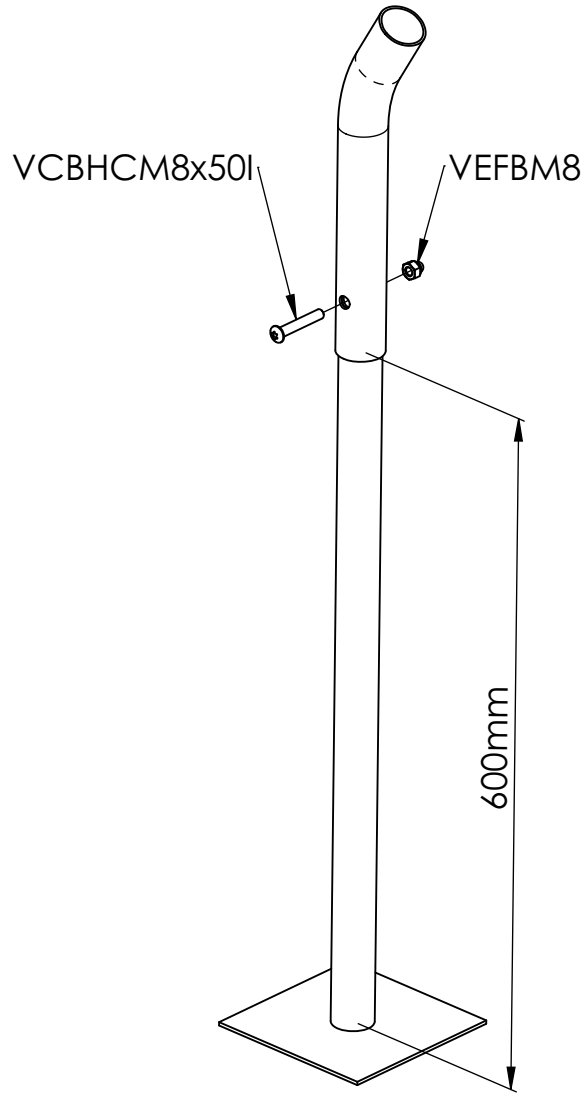
VTF



MI2701

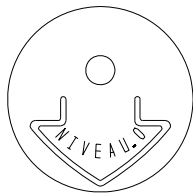


VBT



A

Proludic



MI0002

VCBHCM10

M10310N
VEFM10
M10440N

LG08

M10440N
VEFM10
MI2503

LG3802

M10440N
VTH10*80
MI2503

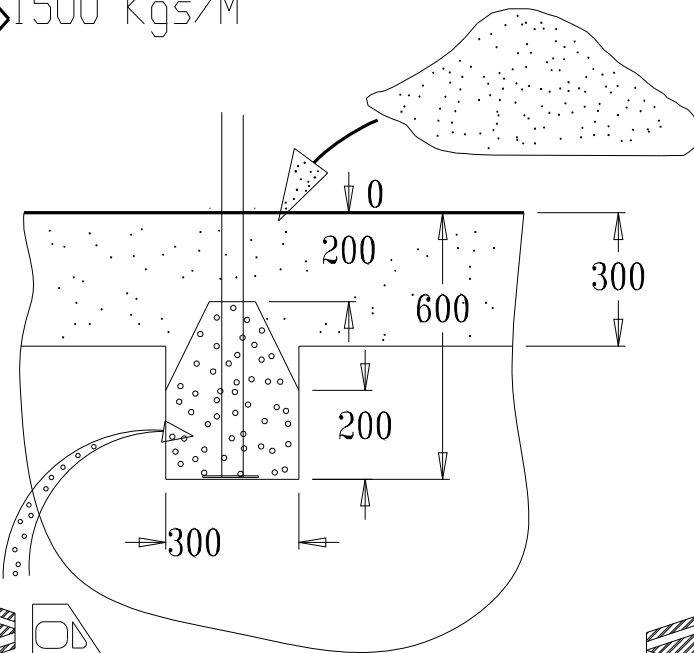
LG3804



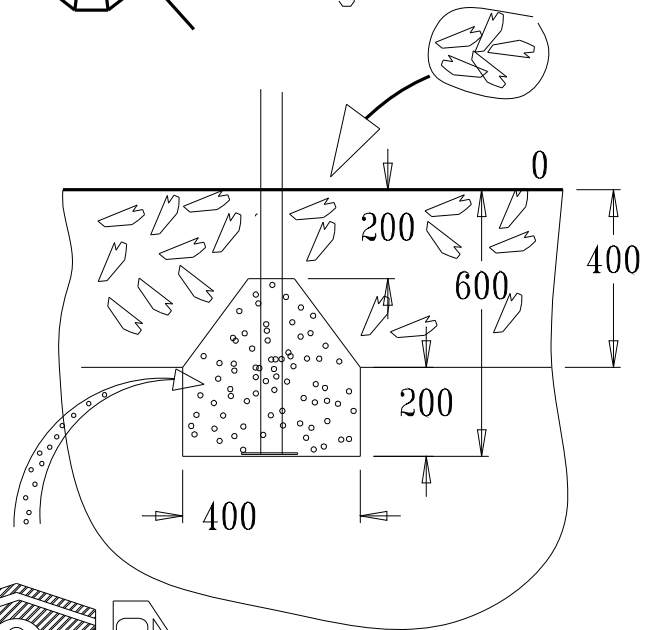
> 1500 Kgs/M³



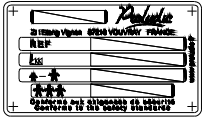
< 1500 Kgs/M³



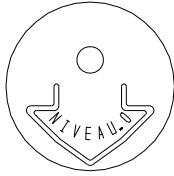
50 Kgs



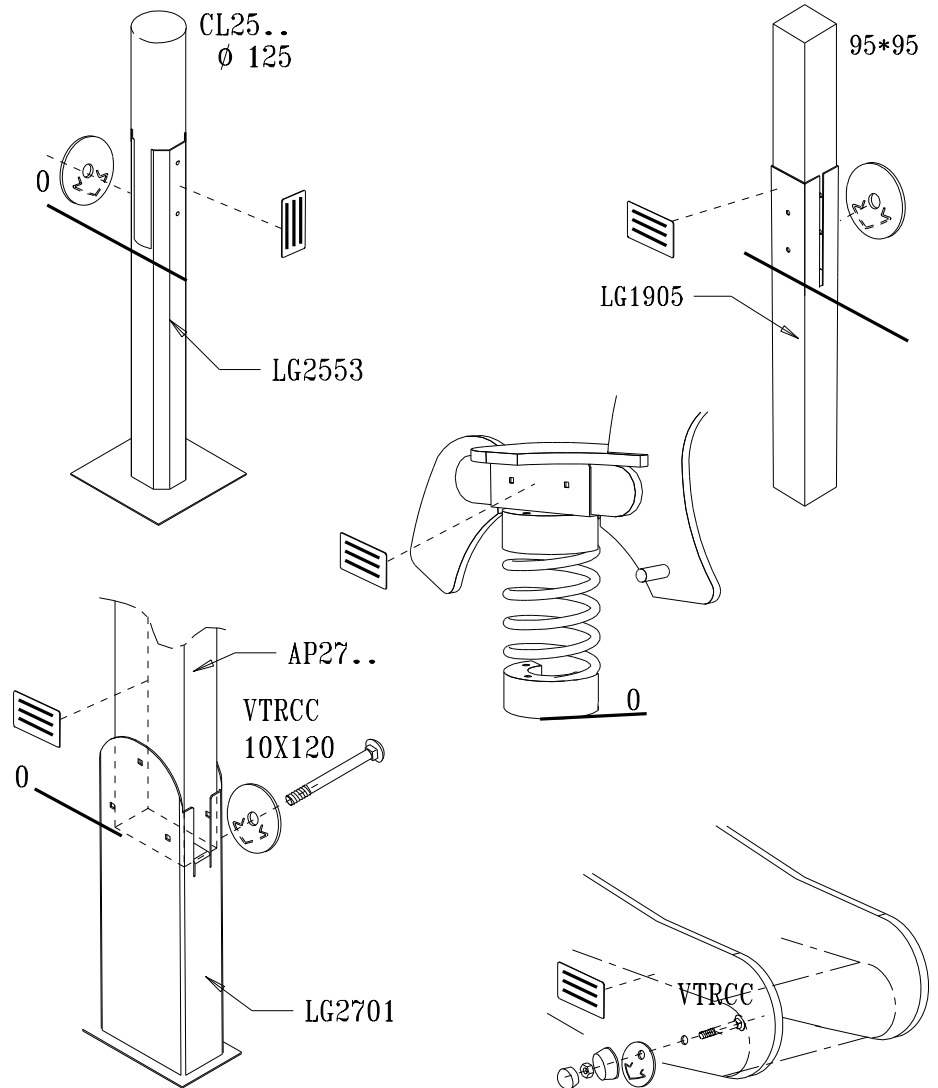
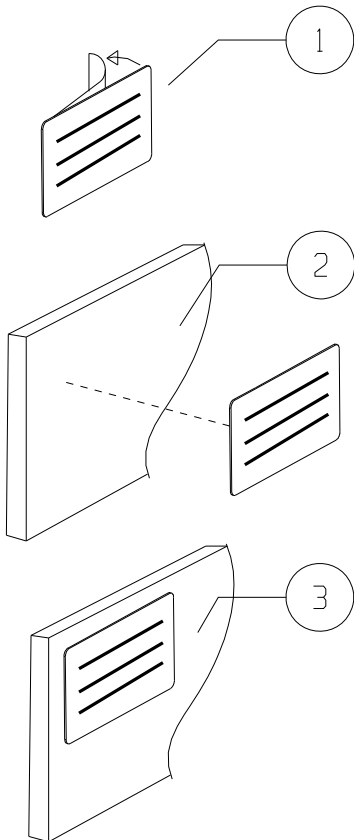
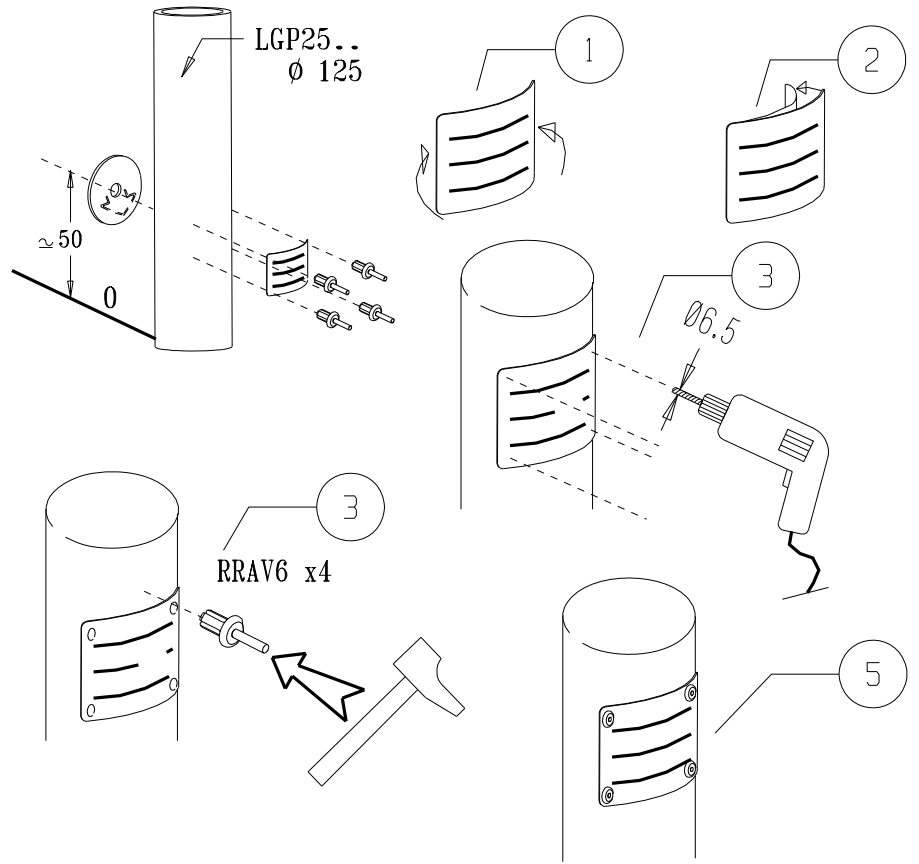
90 Kgs

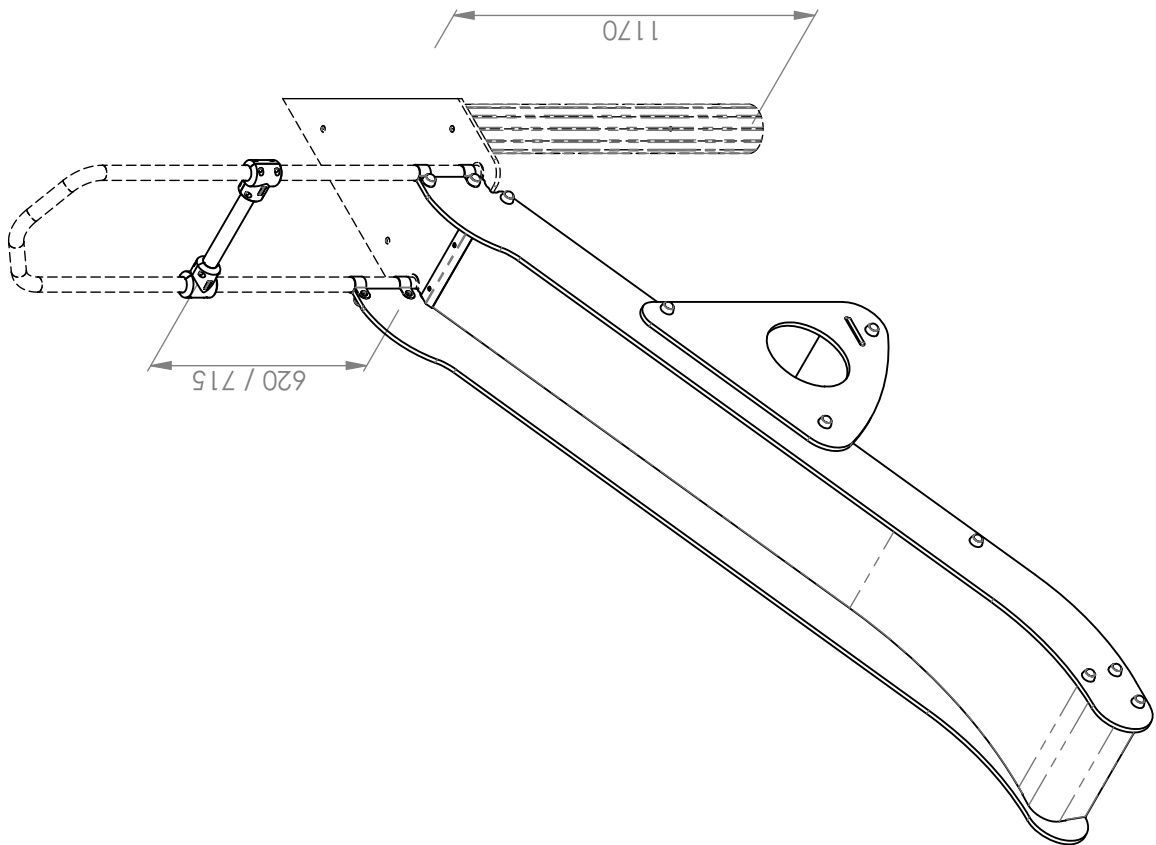


LA000

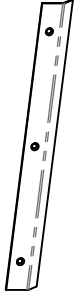


MI0002

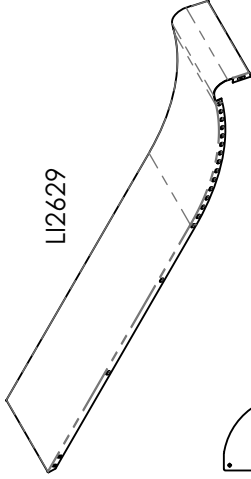




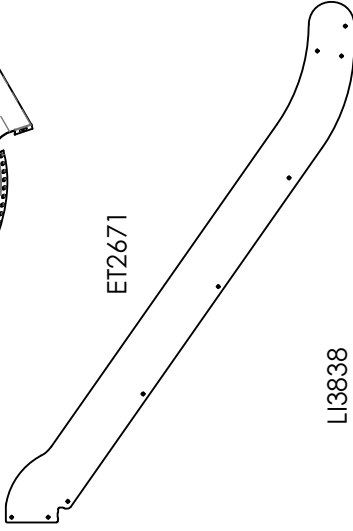
LI9204



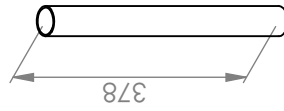
LI2629



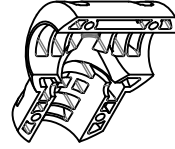
ET2671



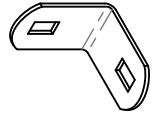
LI3838



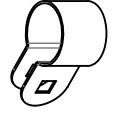
MI2502N



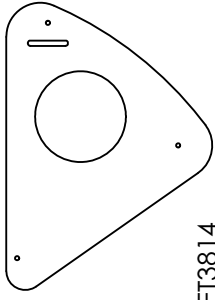
P13



LI4505



ET3851

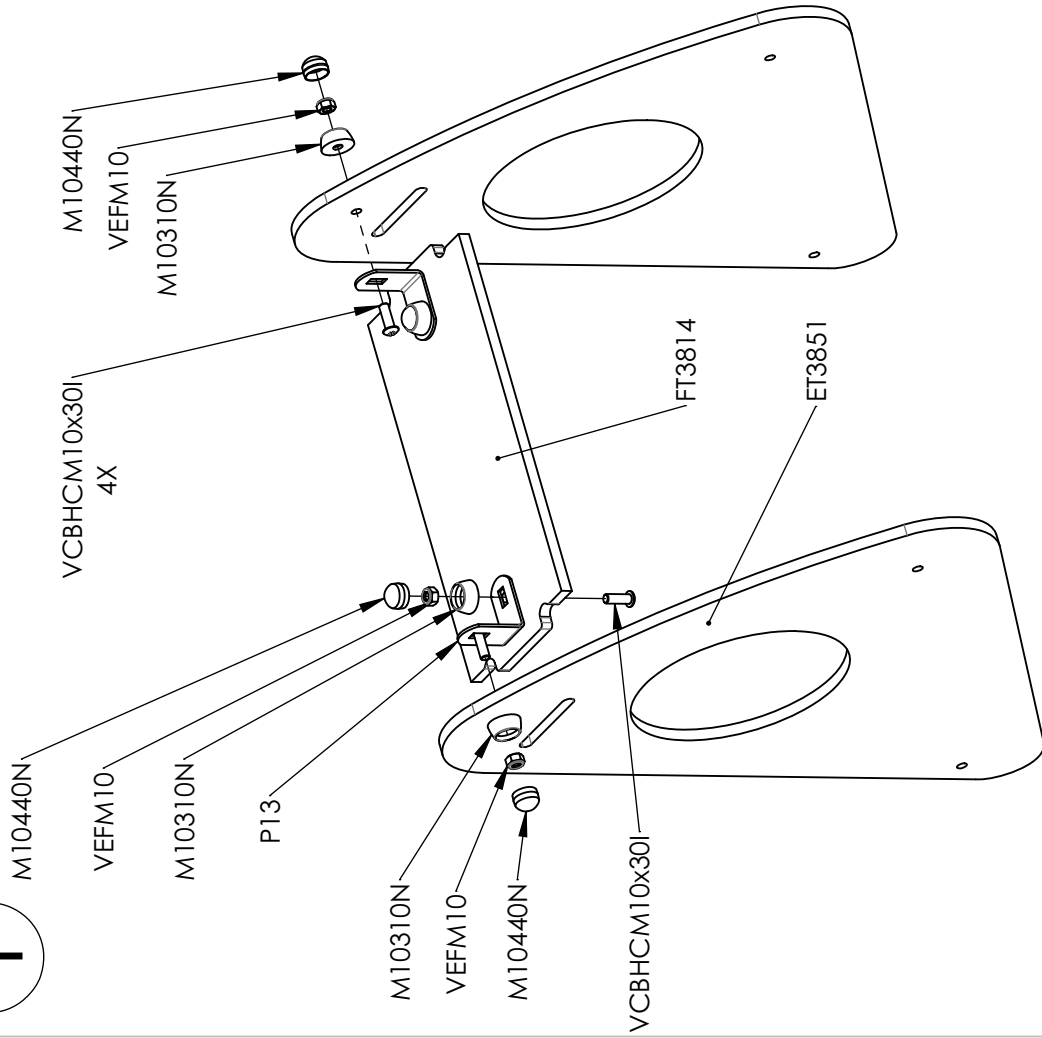


FT3814

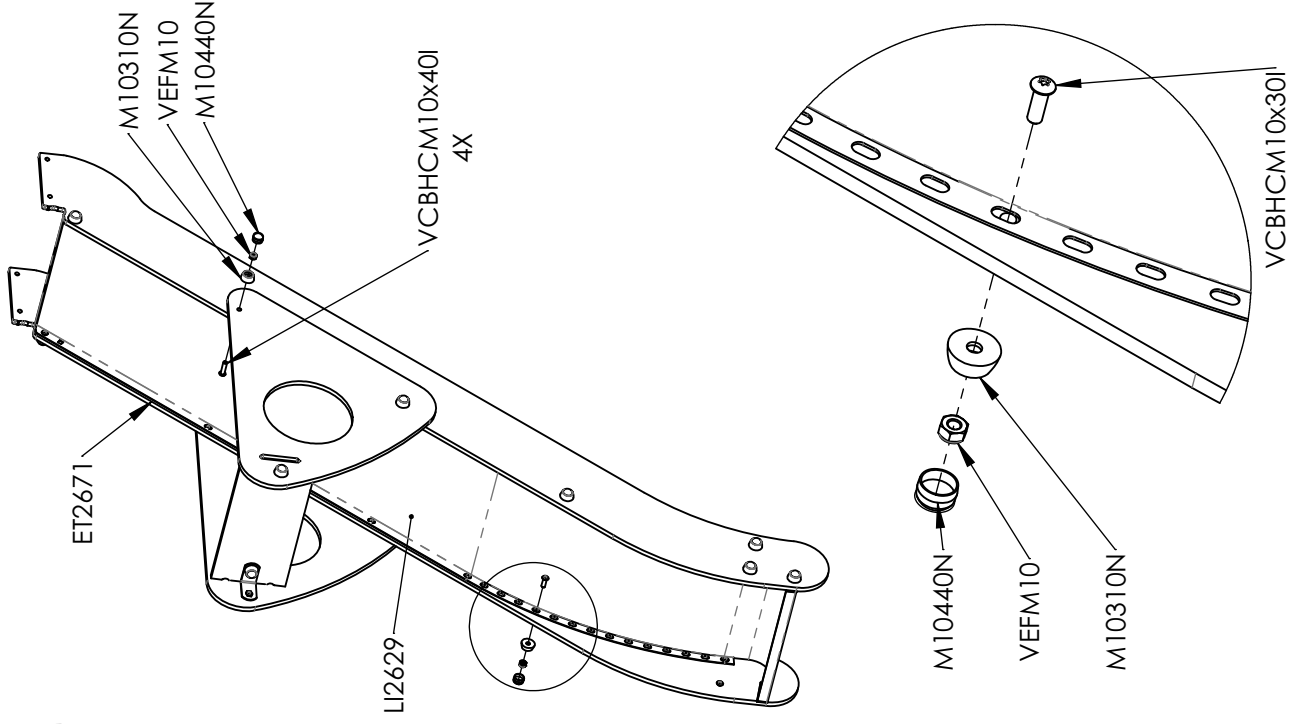


Référence	Qté
LI2629	1
ET2671J	2
LI4505	4
VCBHC M10x30I	22
VCBHC M6x25I	8
M10310N	22
VEFM10	22
VEFM5	3
M10440N	22
LI3838	1
MI2502N	4
VEBM6	8
LI9204	1
M8310N	3
M8440N	3
VFHCM5x30	3
ET3851OF	2
FT3814	1
P13	2
VR6x18	3

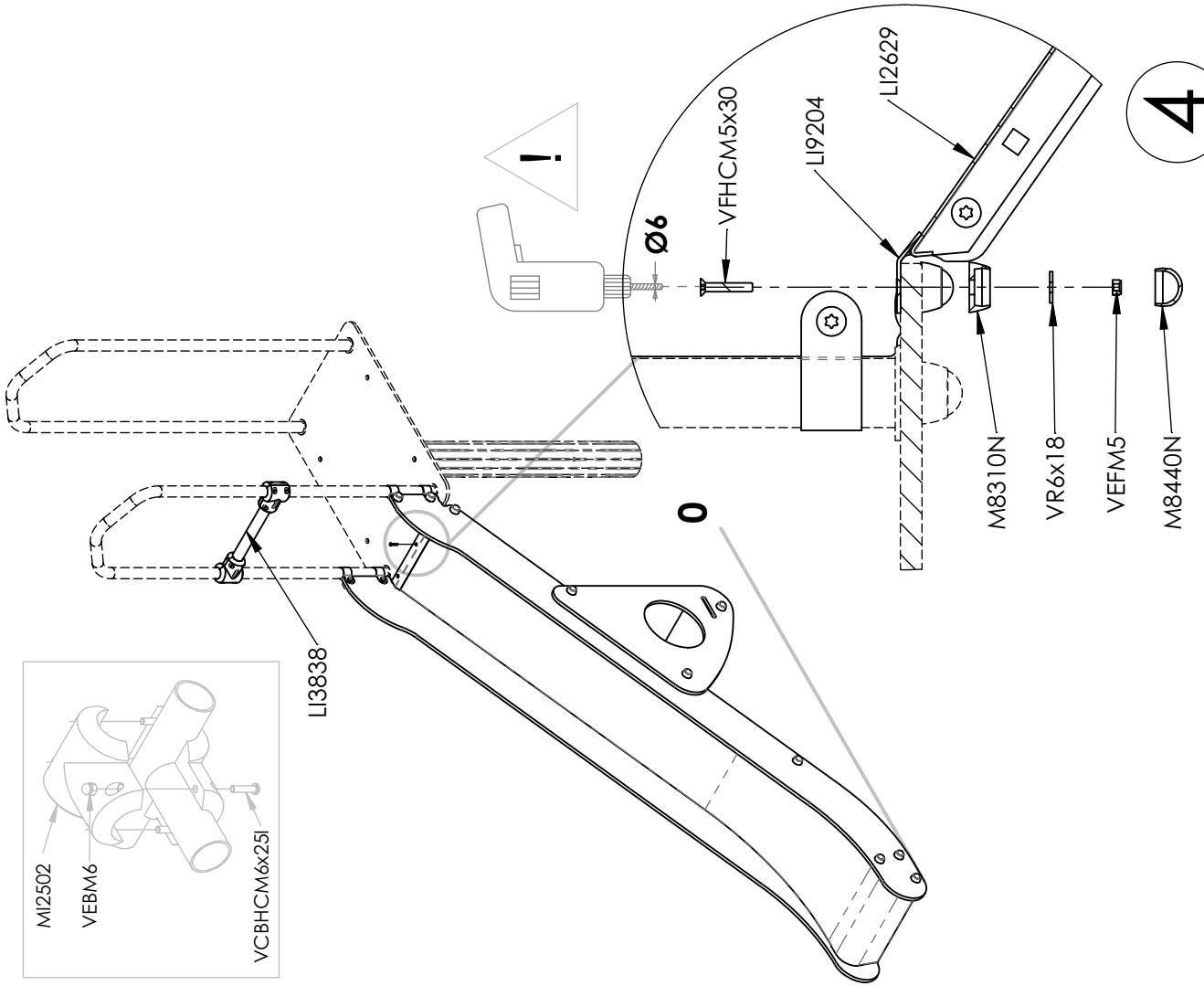
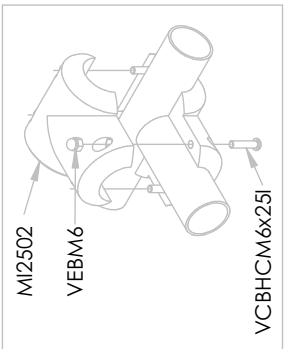
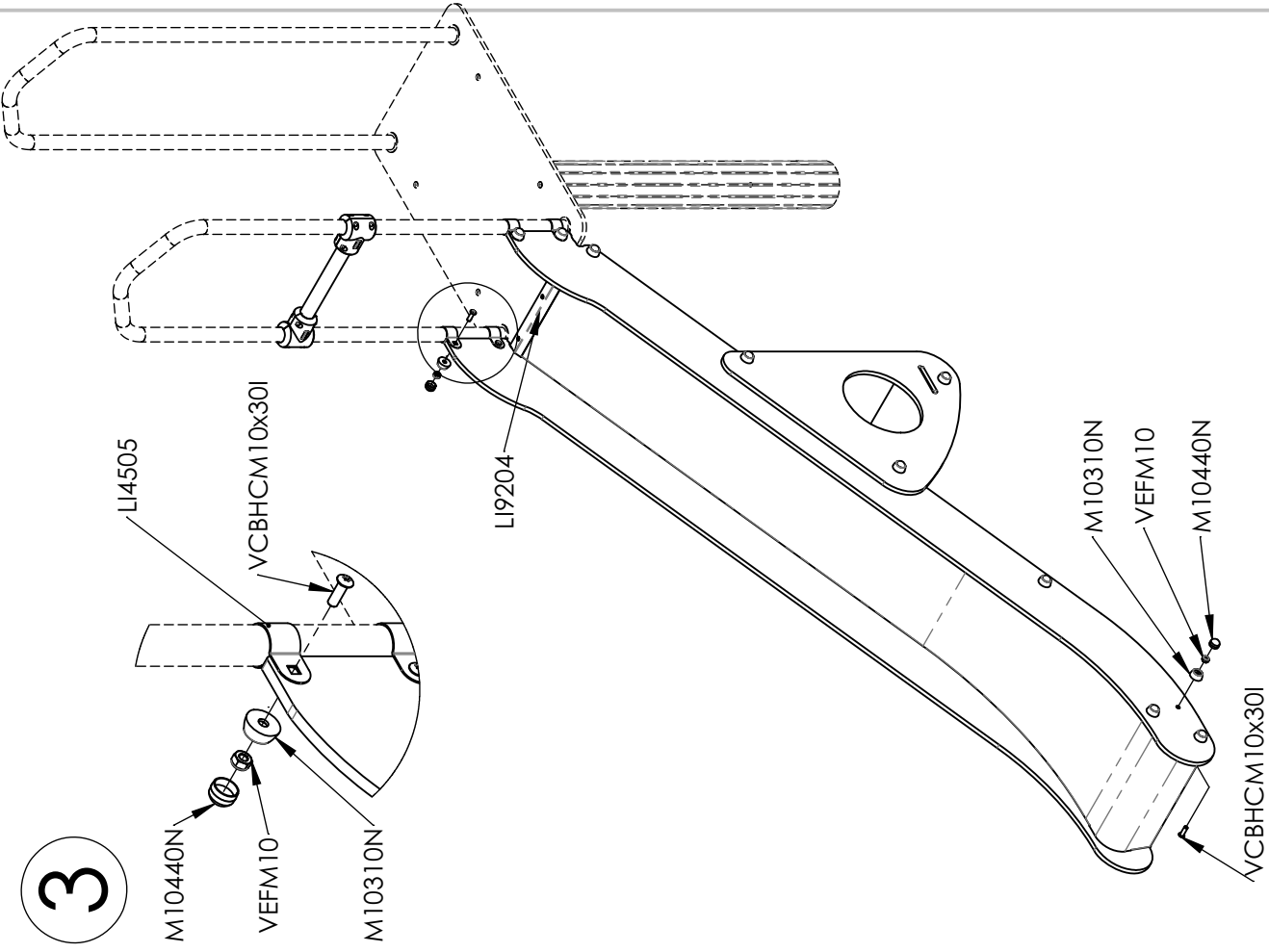
1



2

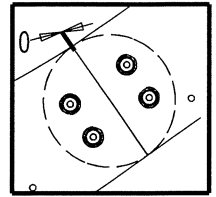
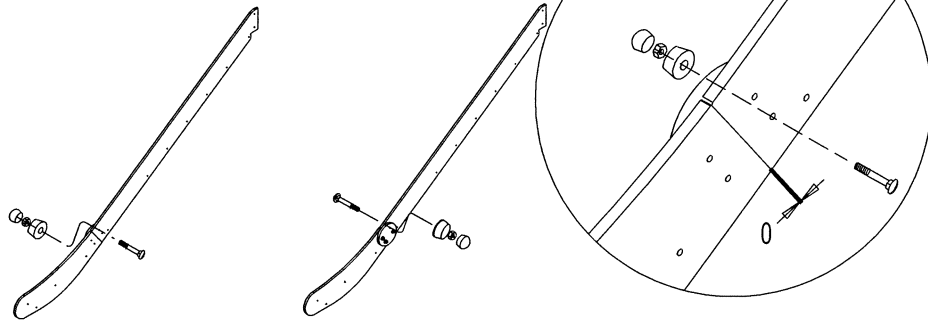


3

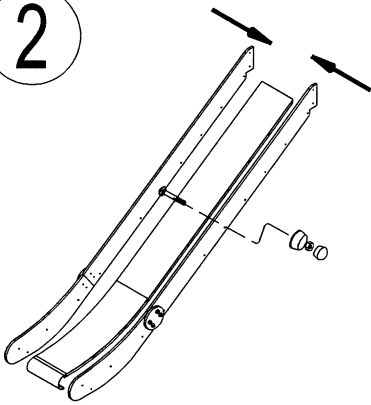


4

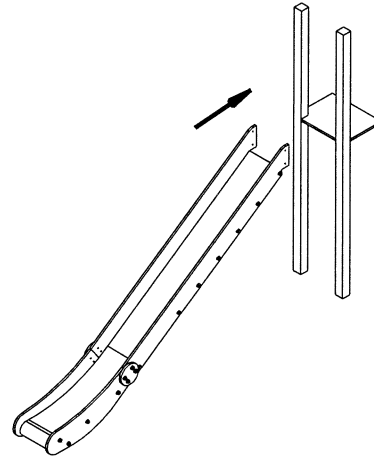
1



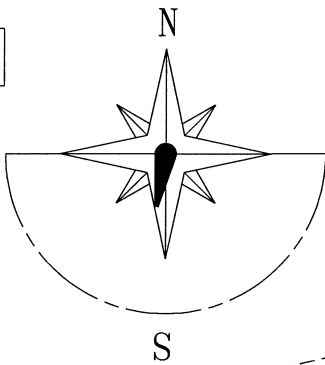
2



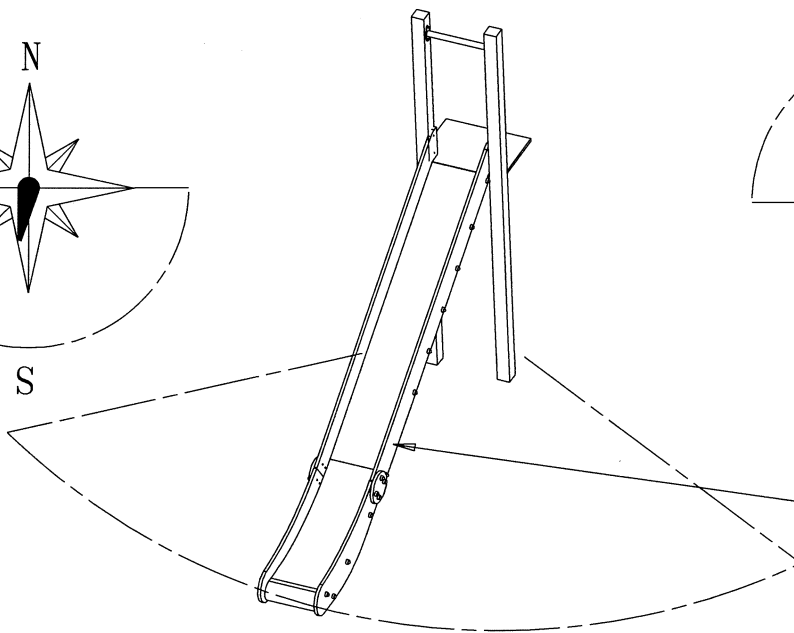
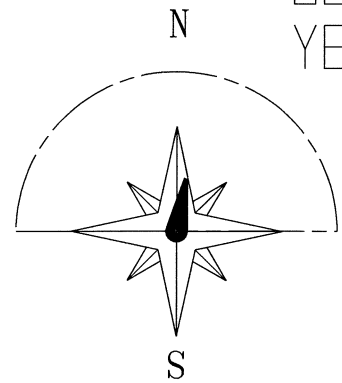
3



NON
NO



OUI
YES

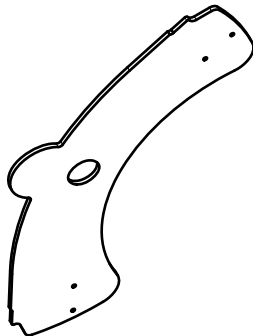


FR

Il est recommandé de ne pas orienter la glissière Sud / Sud Ouest

LGP3806A

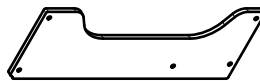
1x
ET3831



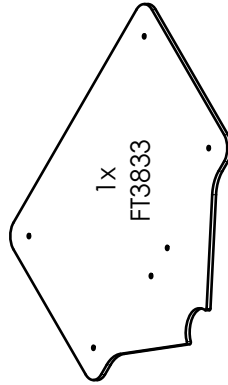
1x
LP3800N



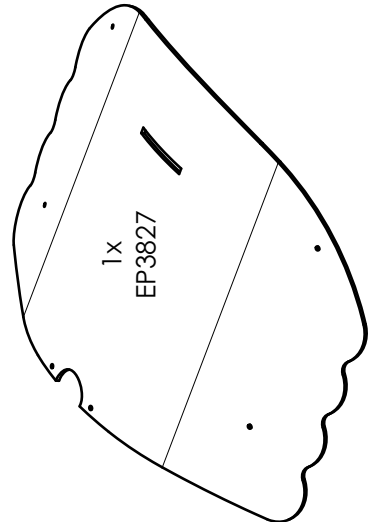
1x
ET3832



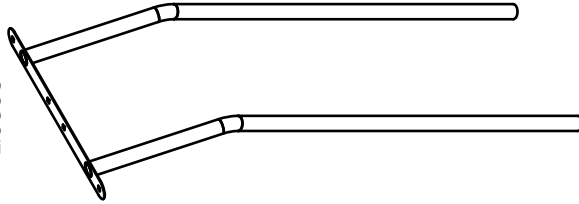
1x
FT3833



1x
EP3827



2x
LI3858



1x
LG4412



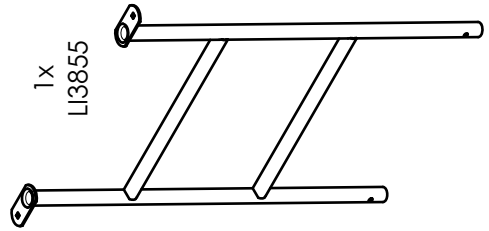
1x
MI025N



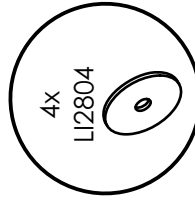
4x
MI4700



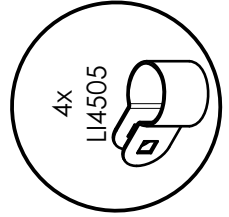
1x
LI3855



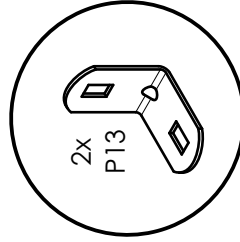
4x
LI2804



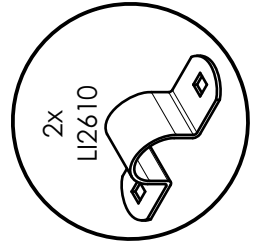
4x
LI4505



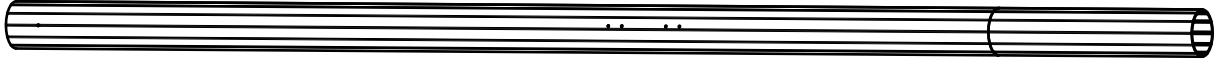
2x
P13

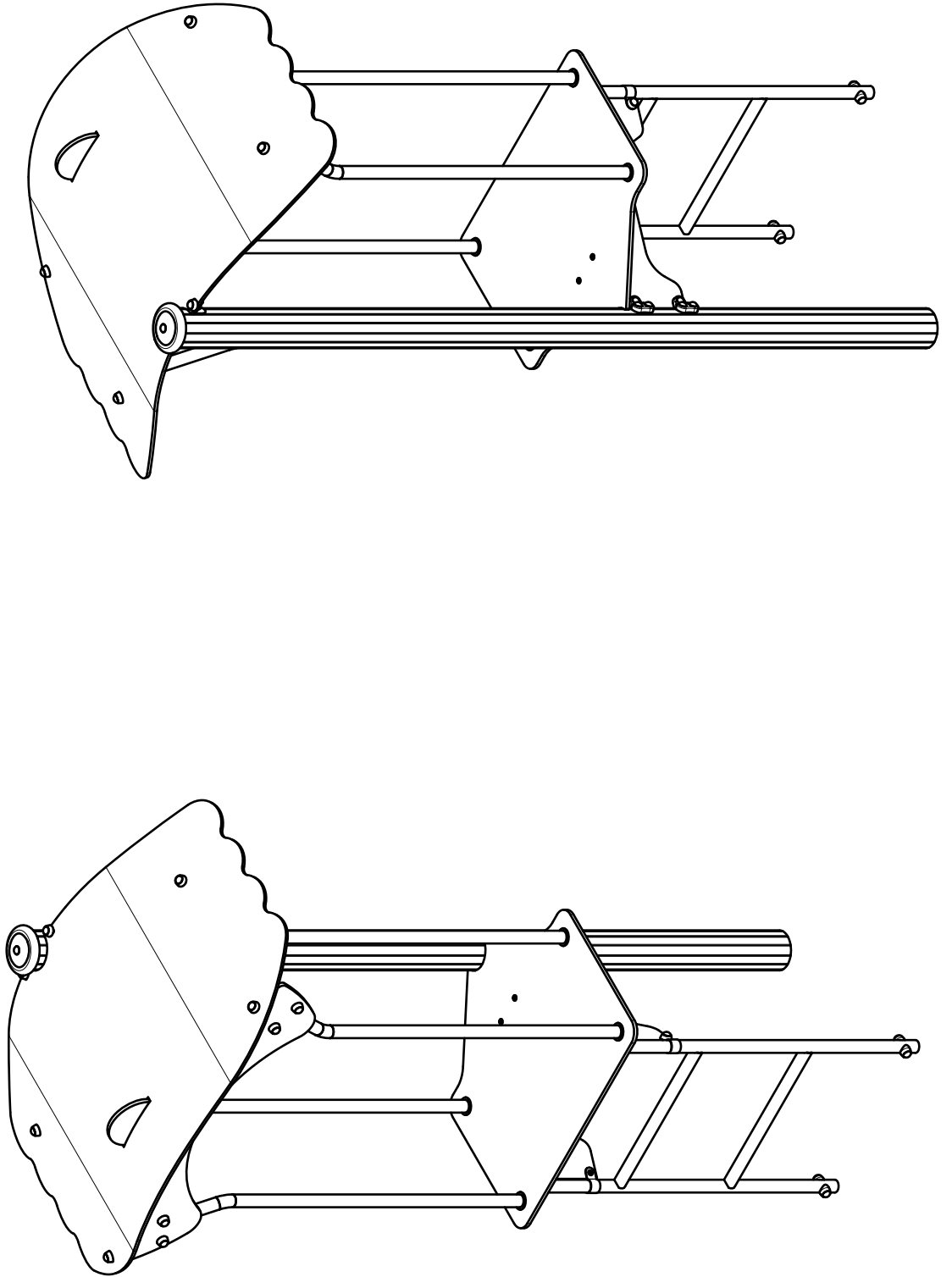


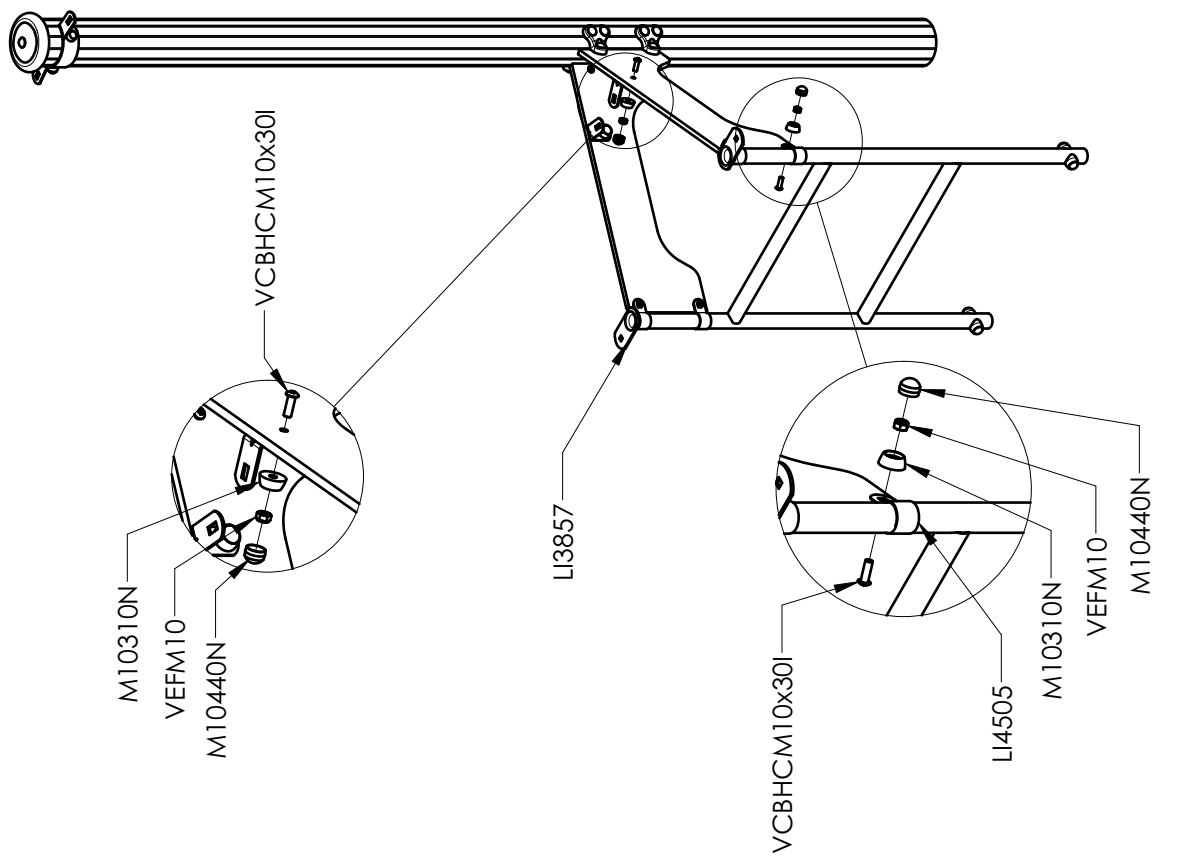
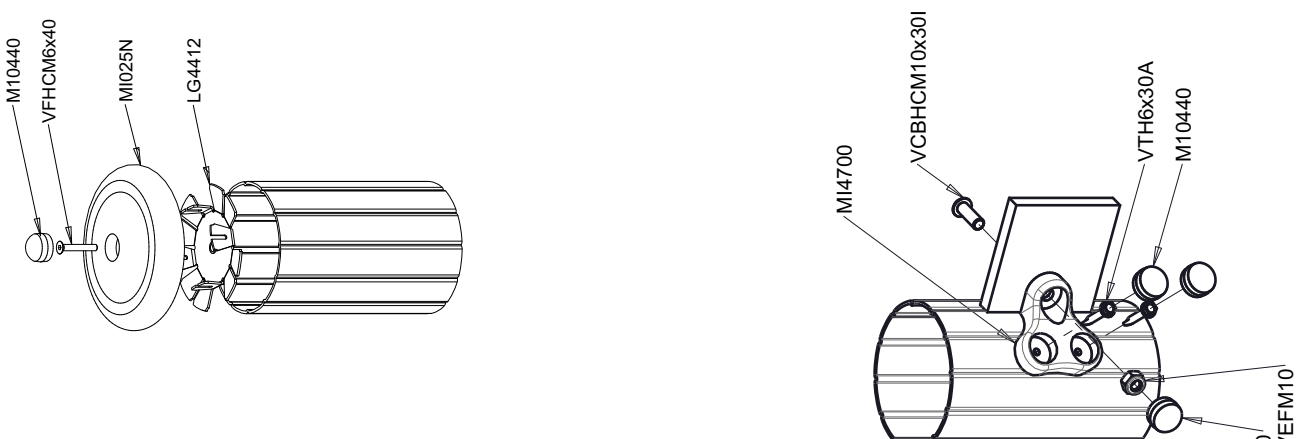
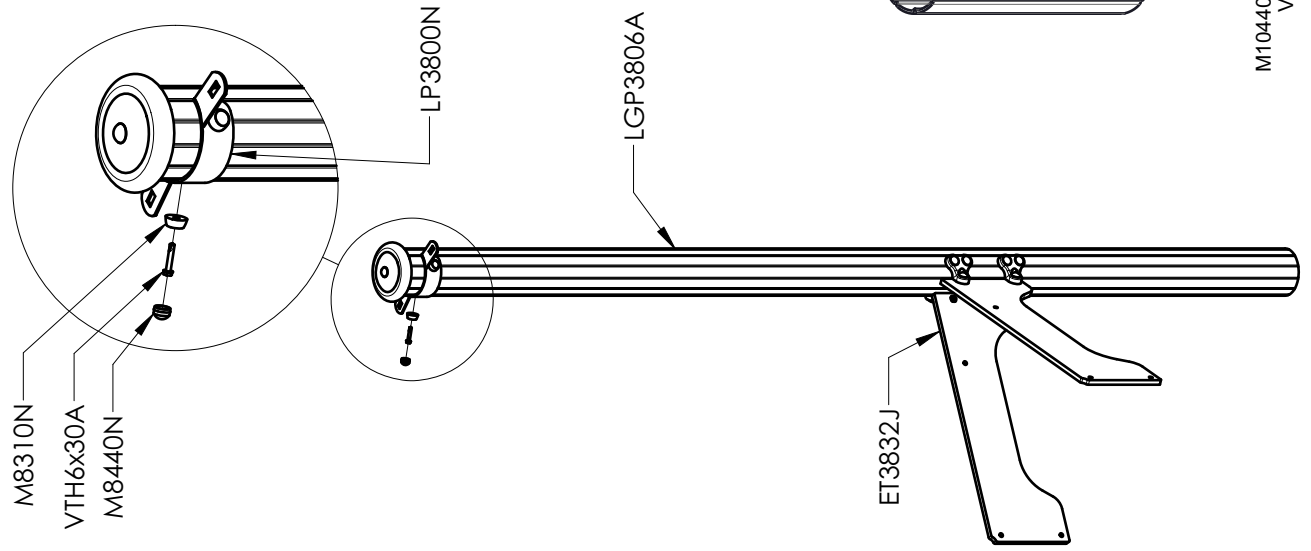
2x
LI2610

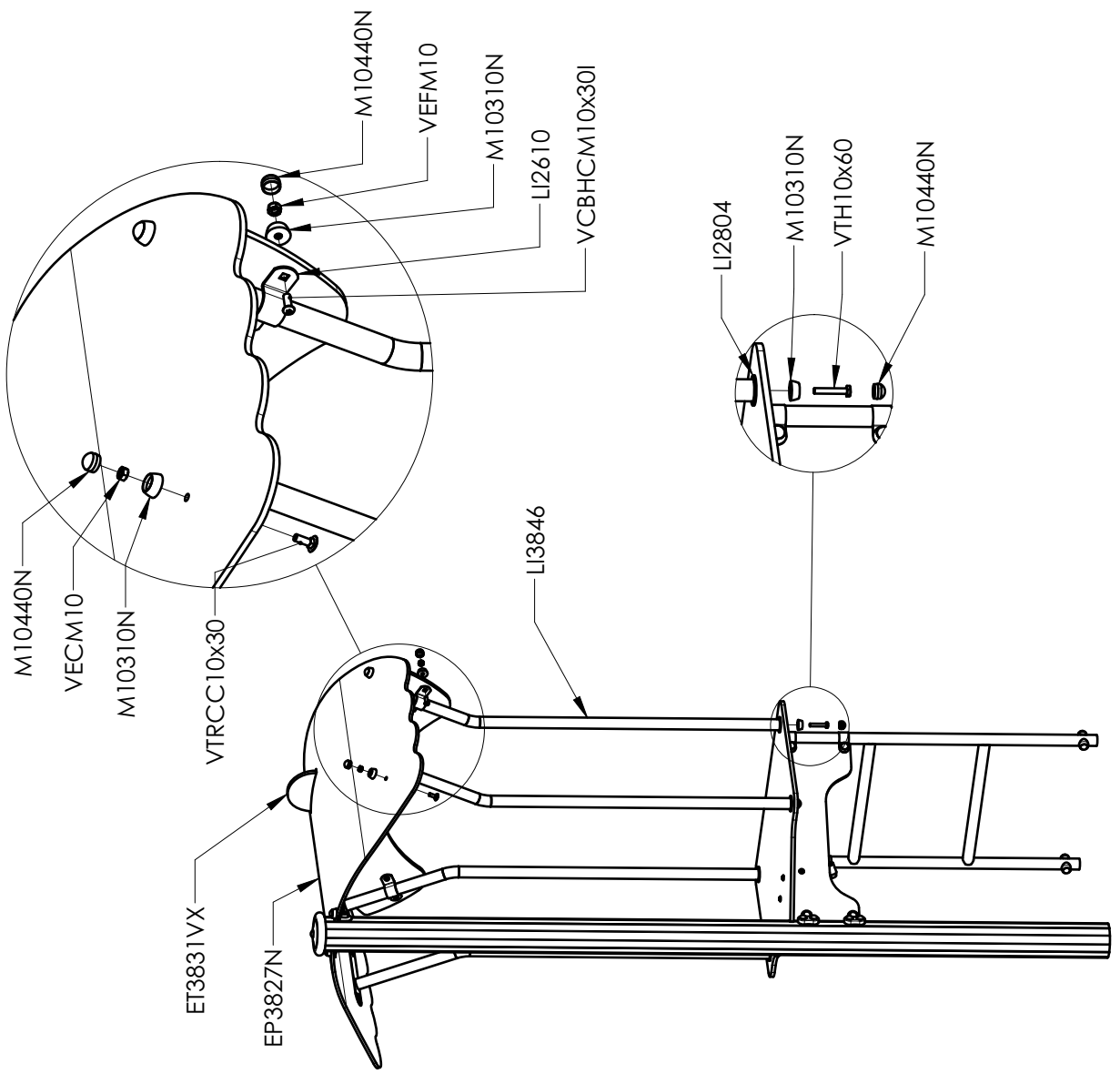
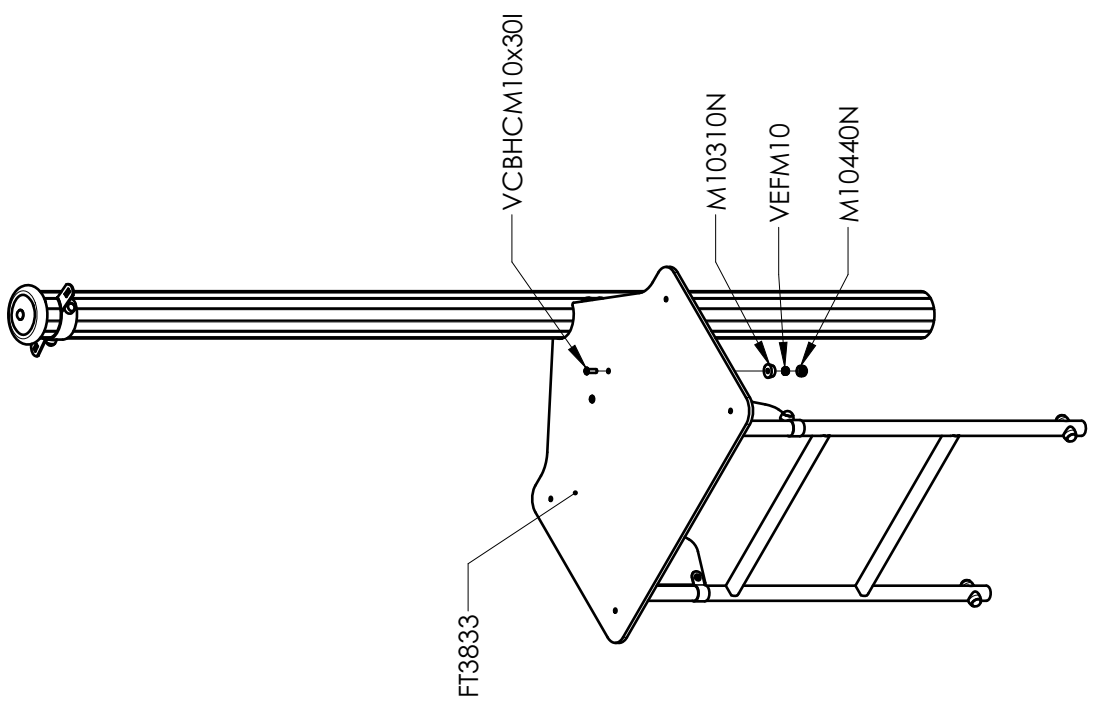


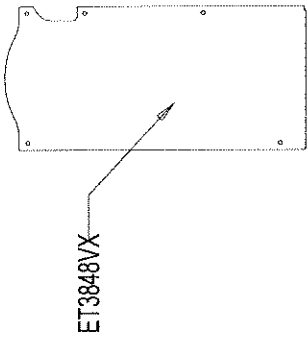
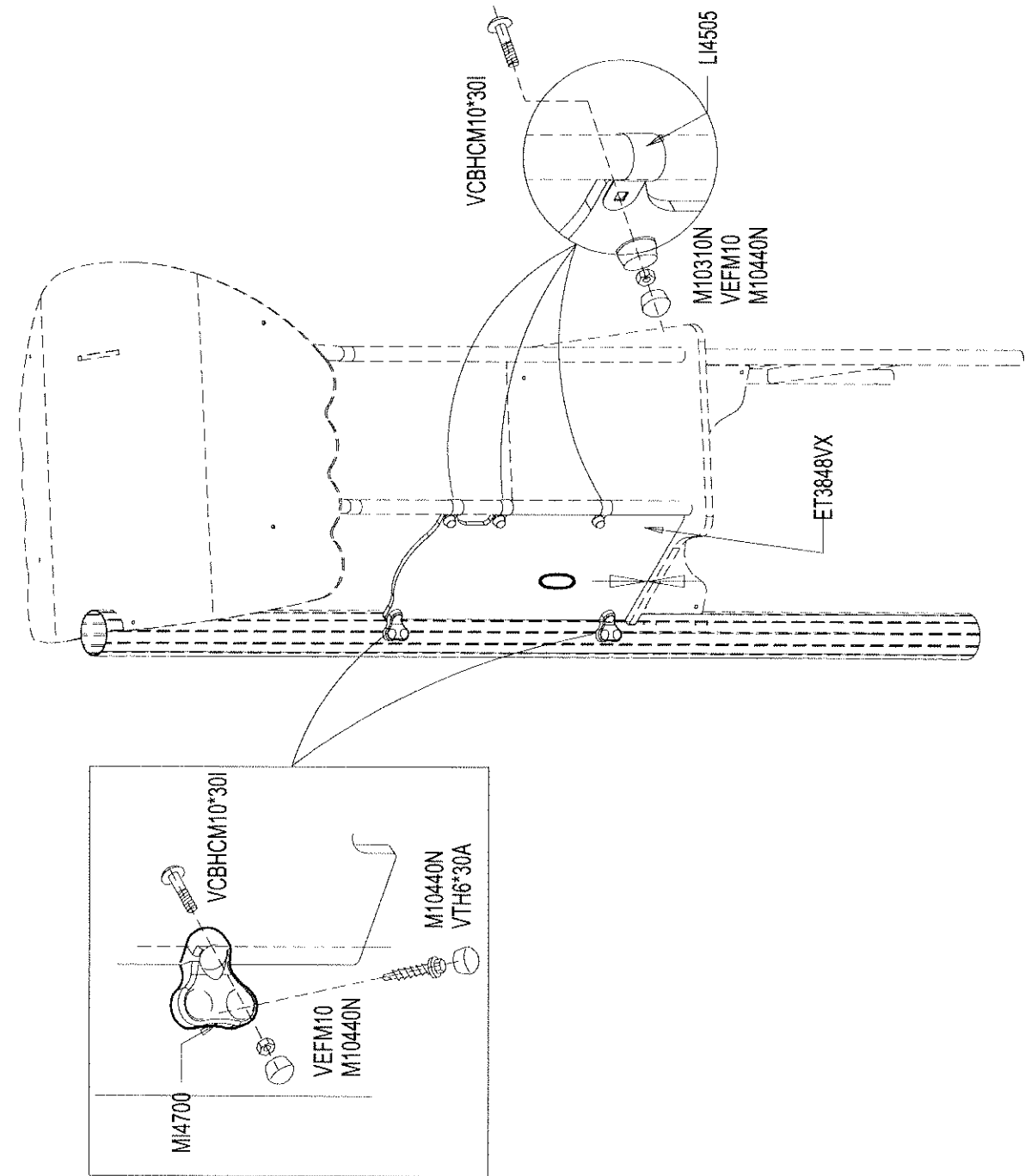
REF	QTE
EP3827N	1
ET3831 VX	1
ET3832J	2
FT3833	1
LG4412	1
LG4502	2
LGP3806A	1
LI2610	2
LI2804	4
LI3855	1
LI3858	2
LI4505	4
LP3800N	1
M8310N	2
M8440N	2
M10310N	22
M10440N	39
MI025N	1
MI2503N	4
MI4700	4
P13	2
VCBHC10x30I	16
VECM10	6
VEFM10	18
VFHC6x40	1
VTH6x30A	10
VTH10x60	6
VTRCC10x30	6





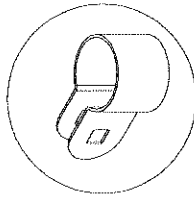




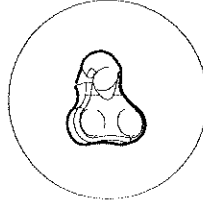


ET3848VX

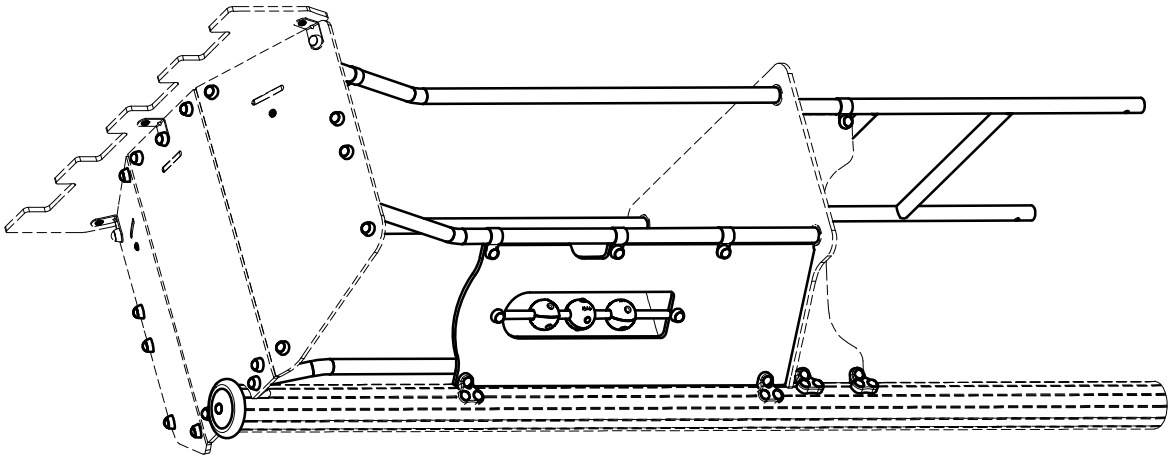
L14505 x 3



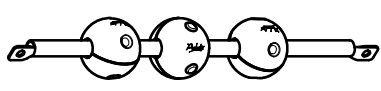
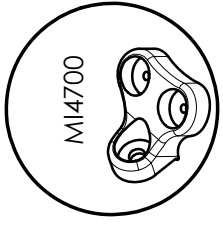
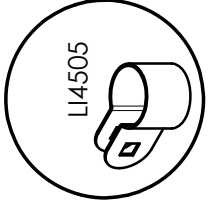
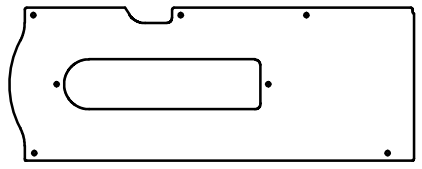
M14700 X 2



	VTH6*30A	4
	VEFM10	5
	VCBHC10*30I	5
	M10310N	3
	M10440N	3

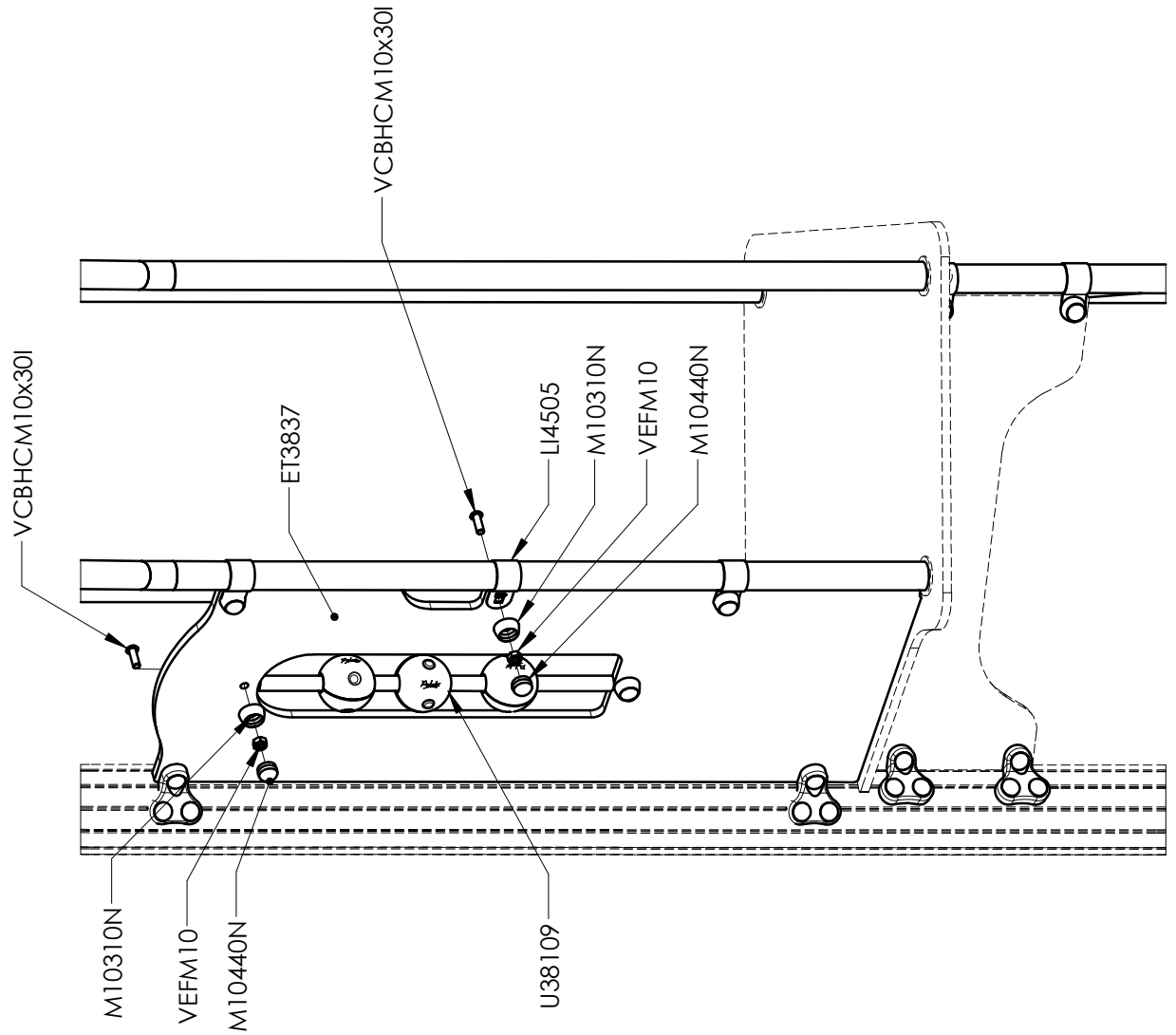


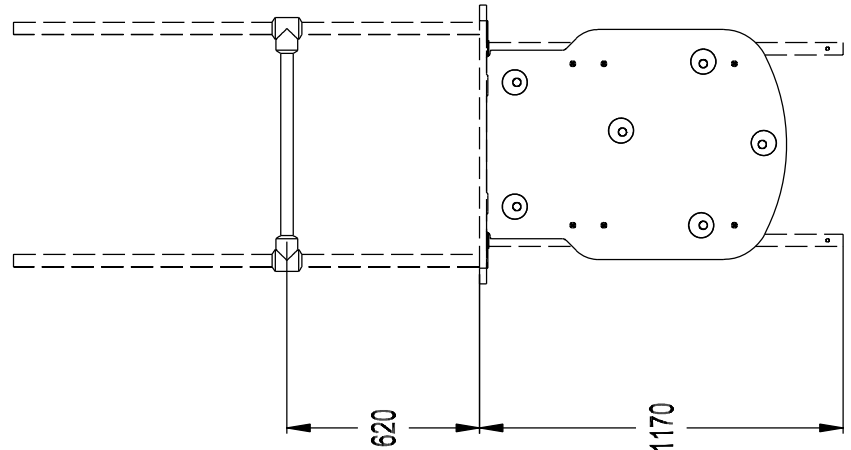
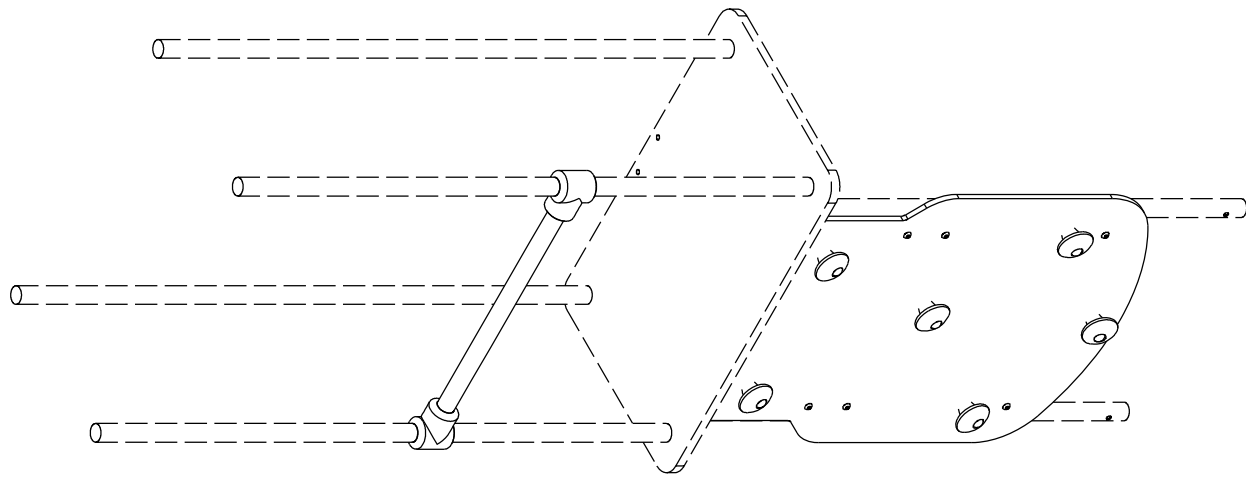
ET3837



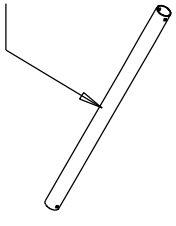
U38109

Réf	Qté
ET3837OF	1
LI4505	3
M10310N	5
M10440N	11
MI4700	2
U38109	1
VCBHCM10x30I	7
VEFM10	7
VTH6x30A	4

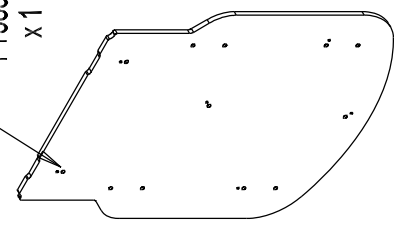




LI3740
x1



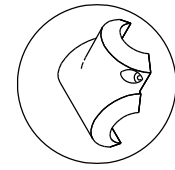
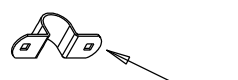
FT3838
x1



MI3800VX x2
MI3800J x2
MI3800O x2

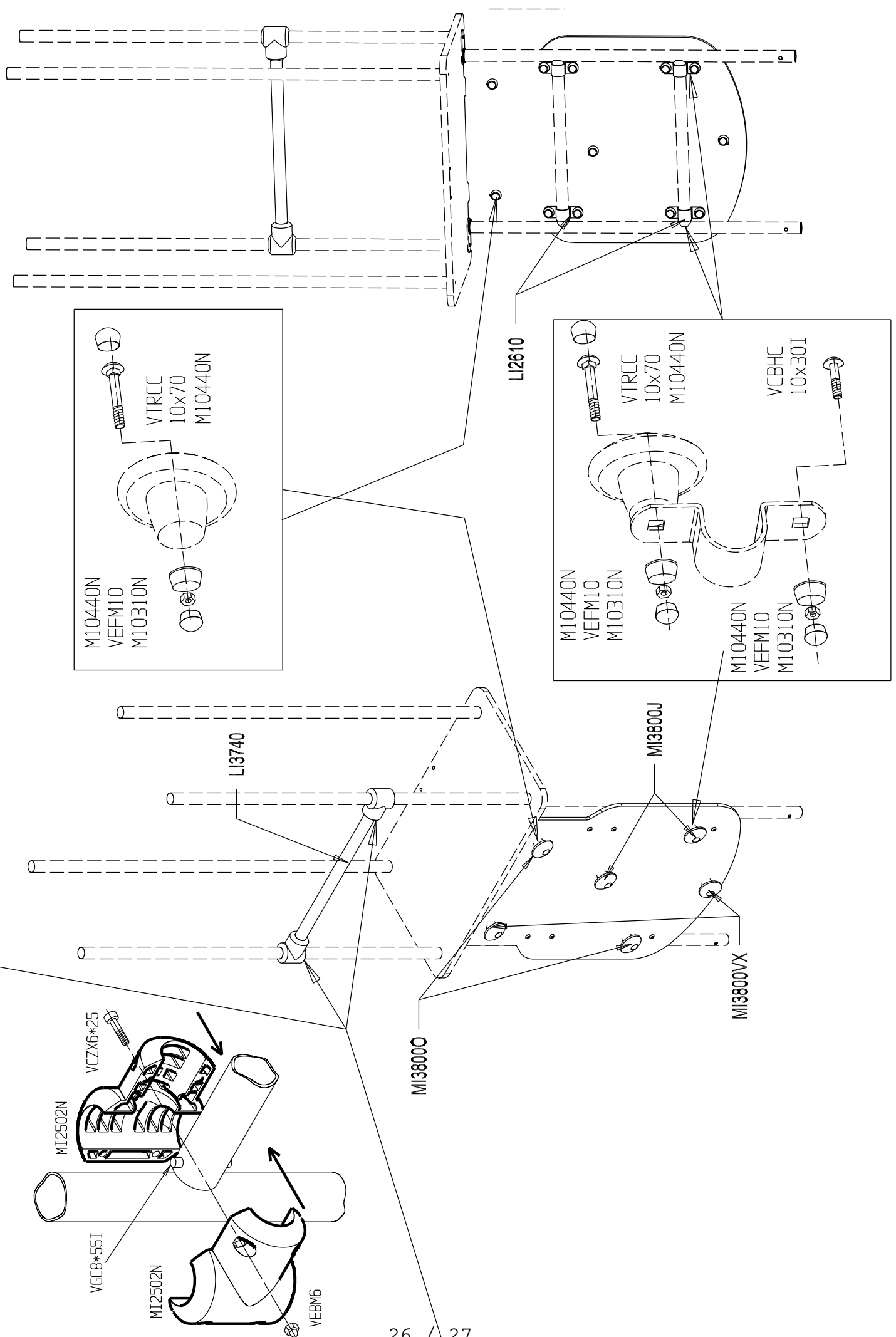


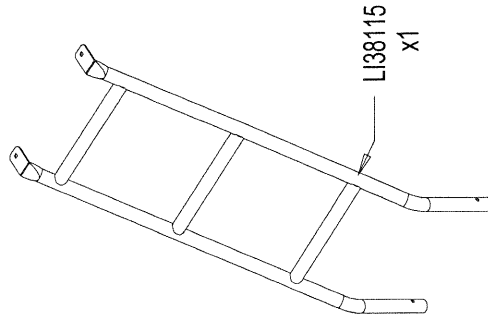
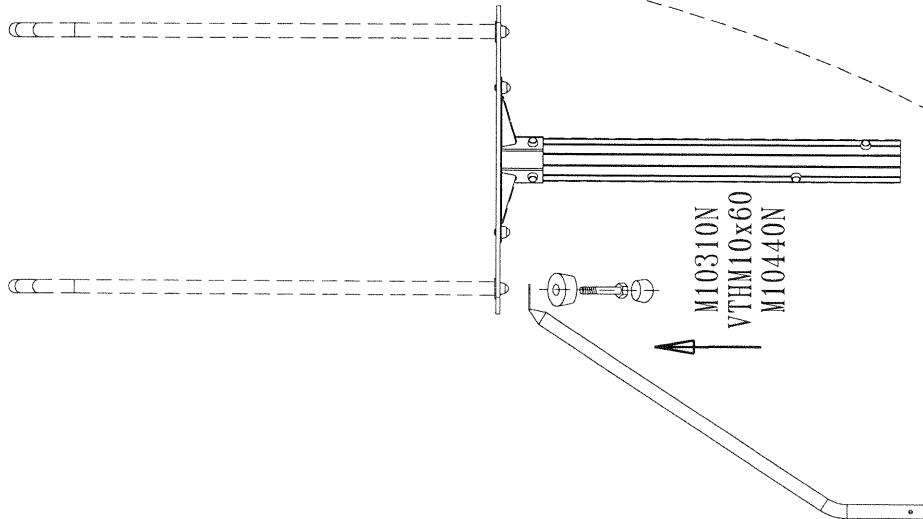
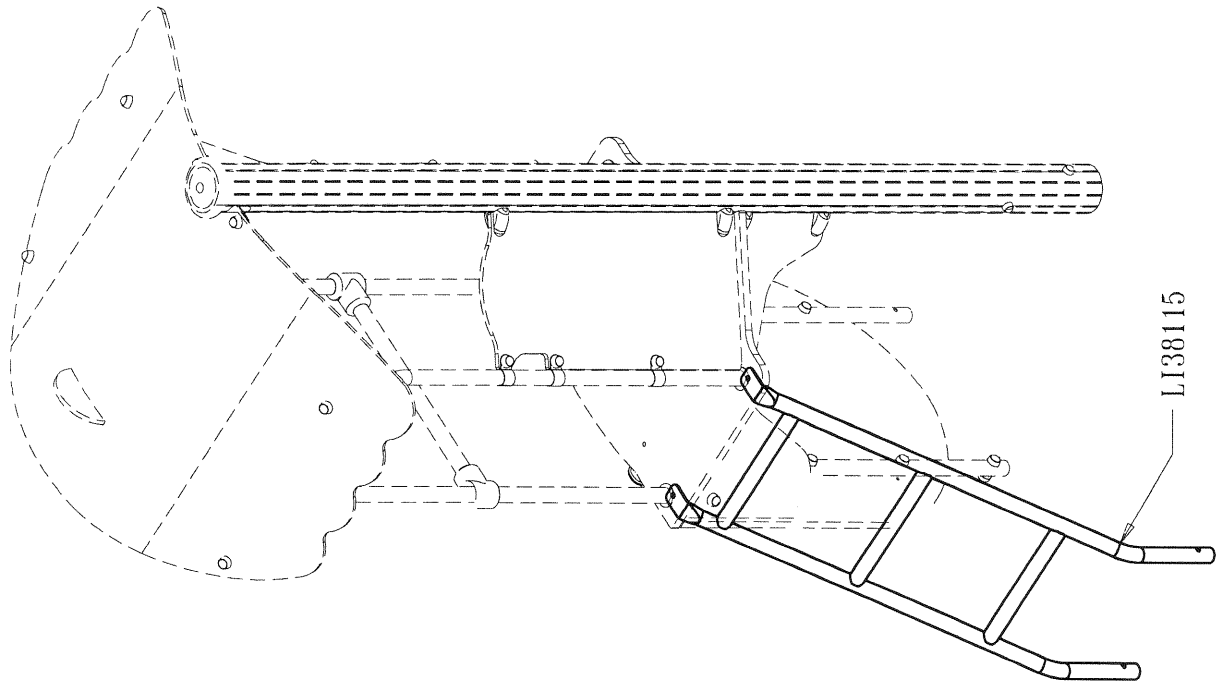
LI2610
x4






MI2502N x4

	VCZX 6x25	8
	VEBM6	8
	VCBHC10*30I	6
	VTRCC10x70	6
	M10310N	12
	M10440N	18
	VEFM10	12





	VTH 10x60	?
	M10310N	2
	M10440N	2