

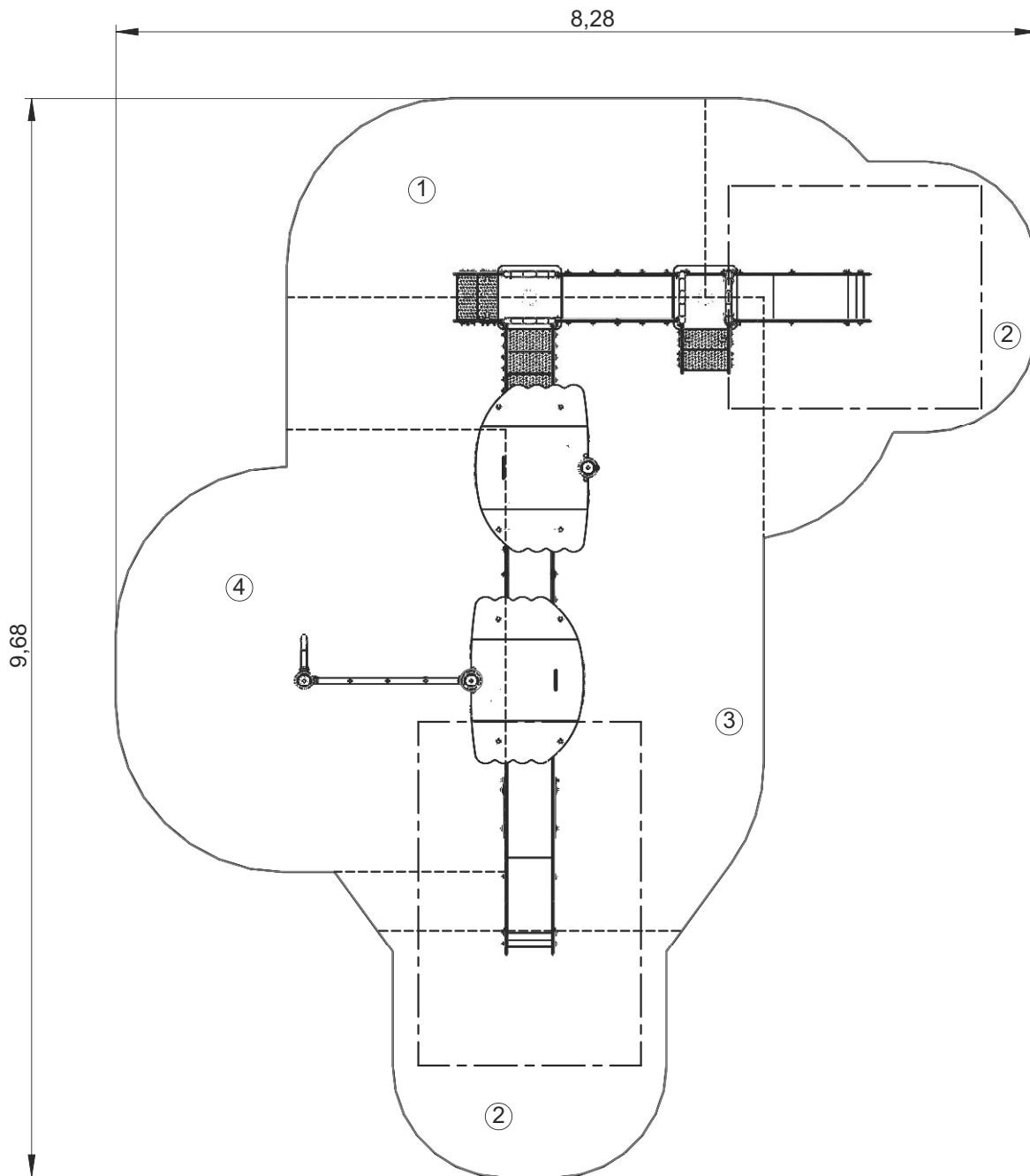
N°		
1	0.6 m	6.5 m <sup>2</sup>
2	1 m	13 m <sup>2</sup>
3	1.17 m	16 m <sup>2</sup>
4	1.8 m	12.5 m <sup>2</sup>

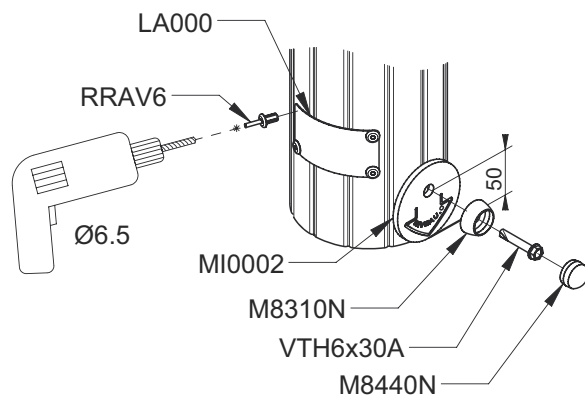
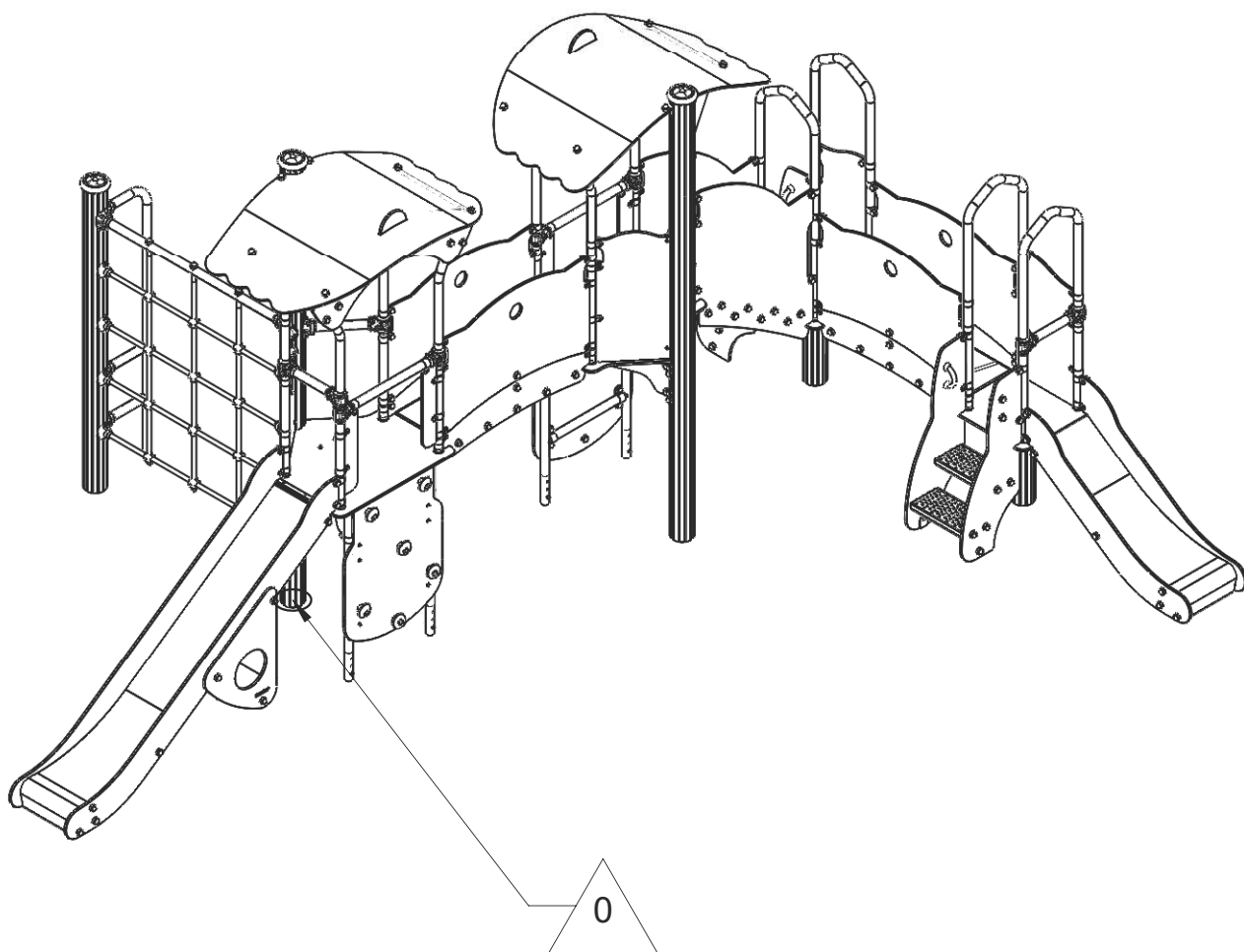
— Zone d'impact  
Impact area  
Area de impacto  
Fallraum  
Valzone



Point de référence  
Setting out point  
Punto de referencia  
Bezugspunkt  
Referentiepunt

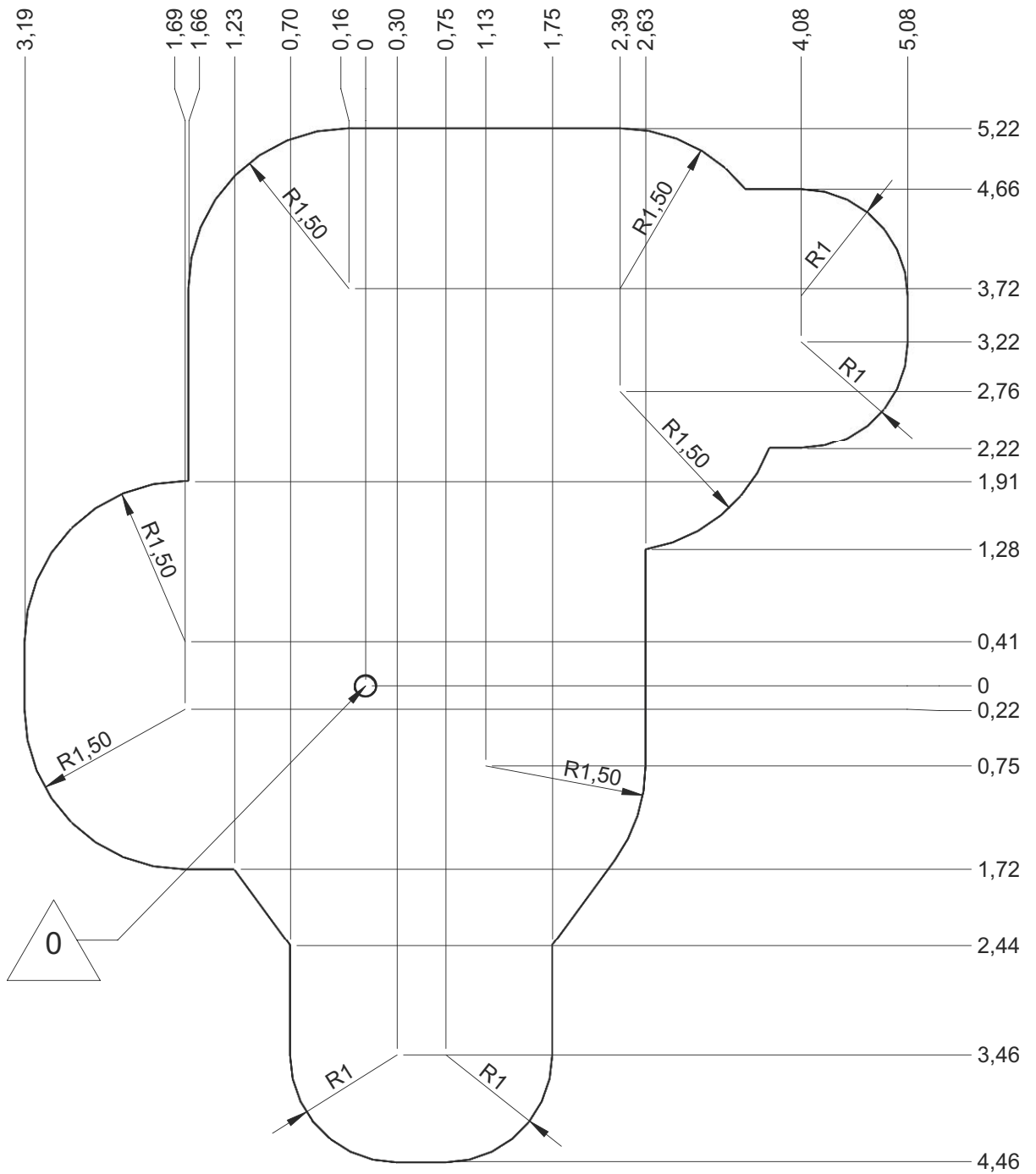
- - - Espace libre  
Free space  
Espacio libre  
Freiraum  
Vrije ruimte





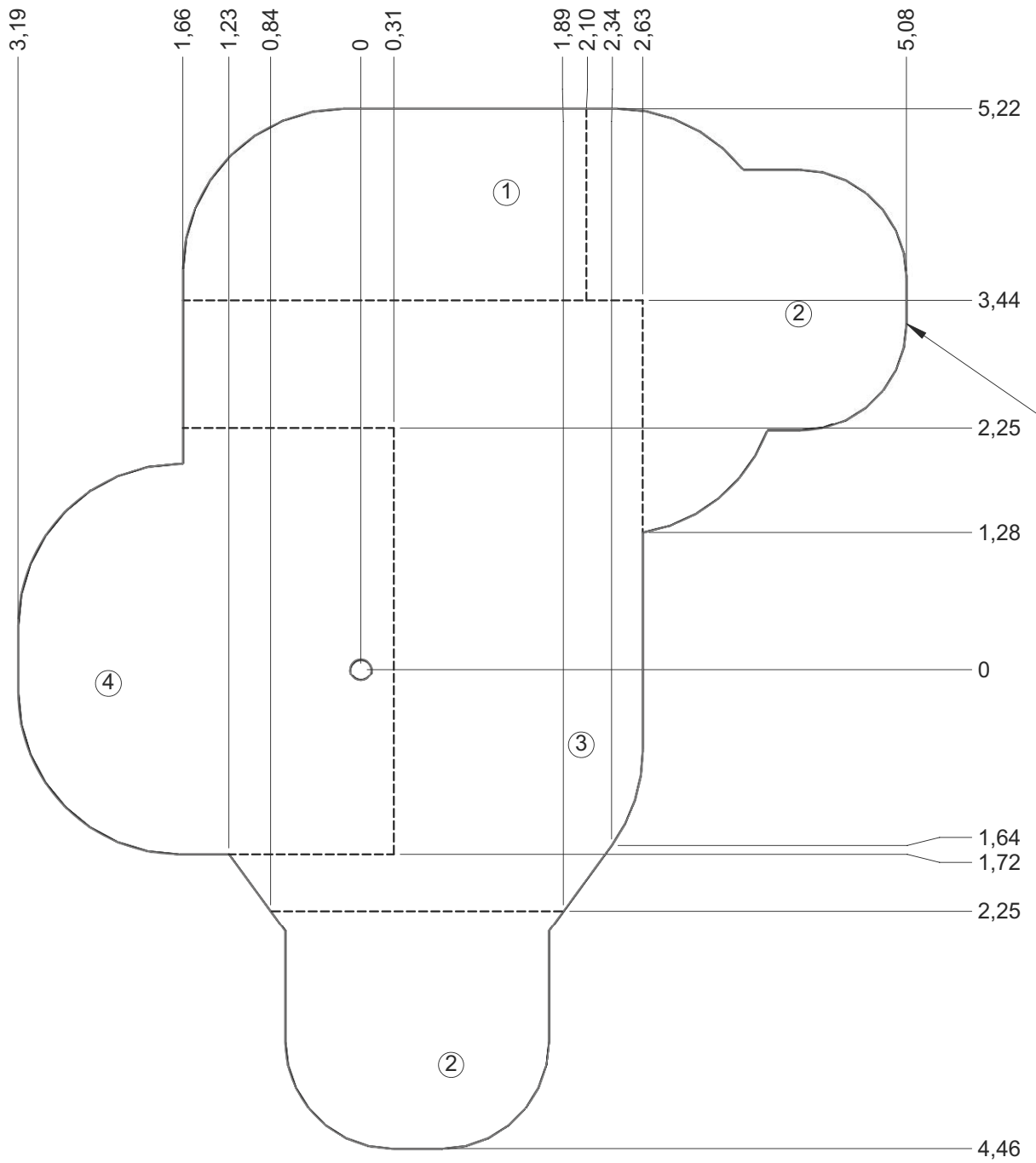
— Zone d'impact  
 Impact area  
 Area de impacto  
 Fallraum  
 Valzone

50 m<sup>2</sup>



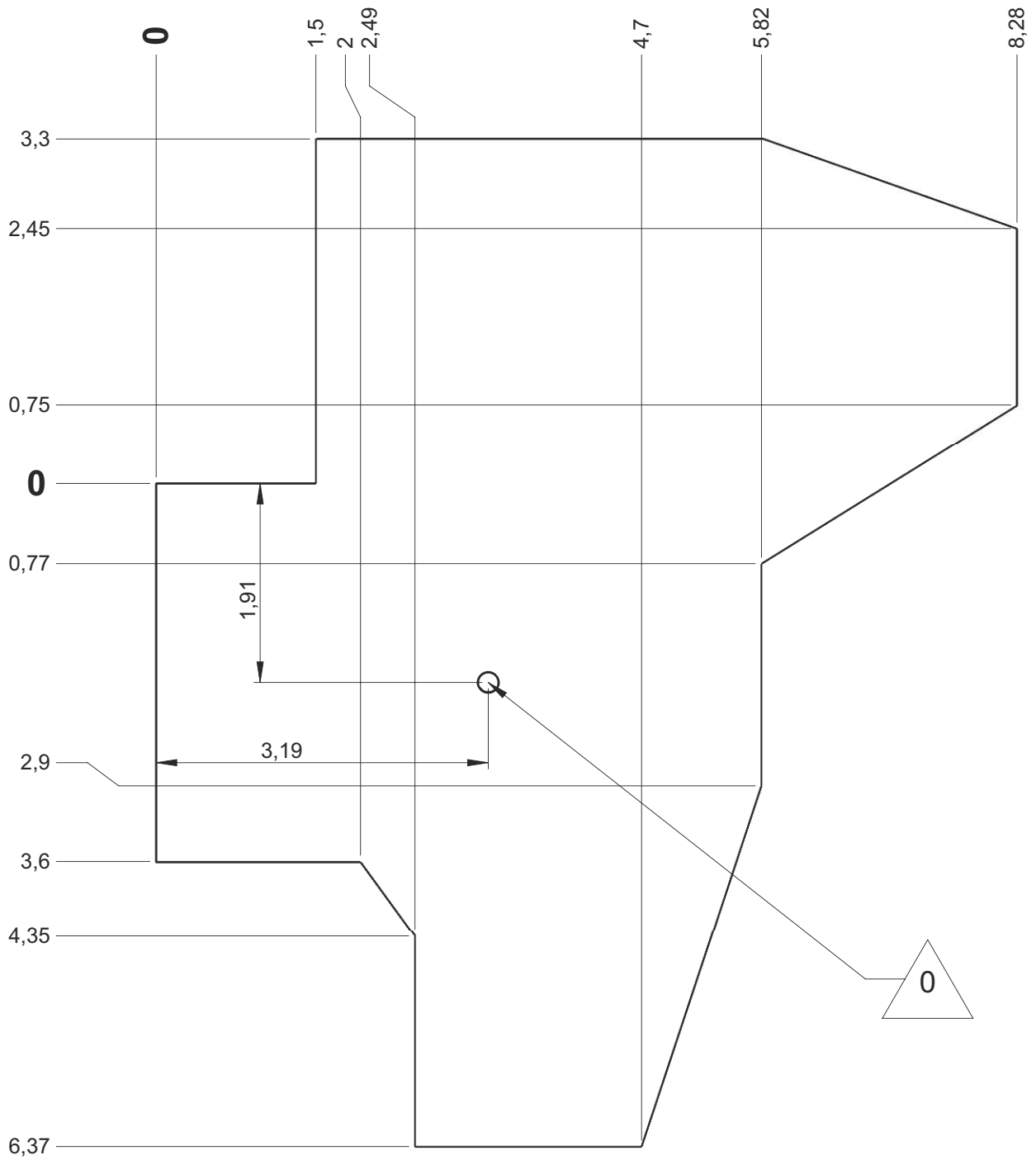
— Sol souple  
 — Wetpour  
 — Caucho continuo  
 — Synthetischer fallschutz  
 — Gietvloer

50 m<sup>2</sup>

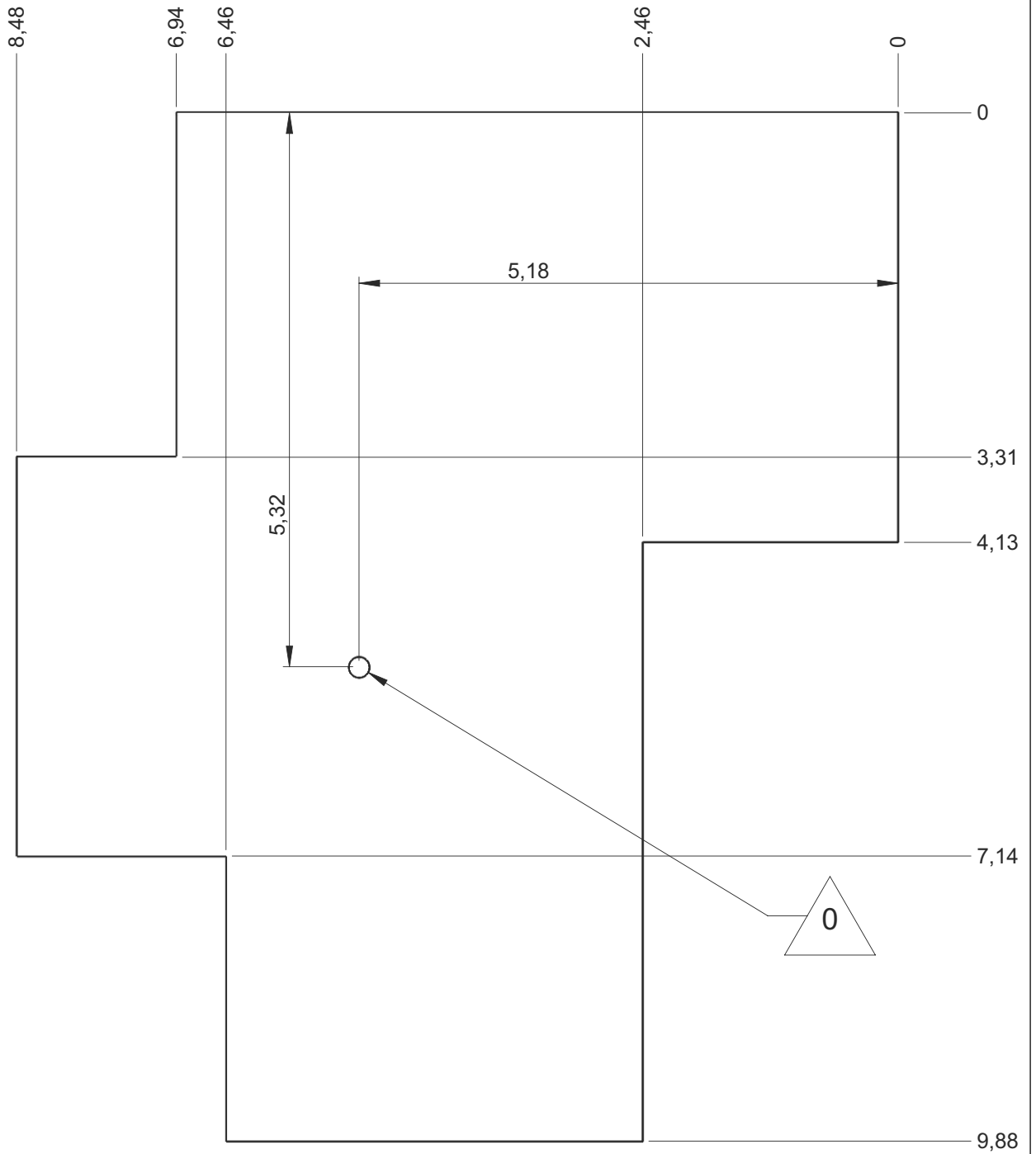


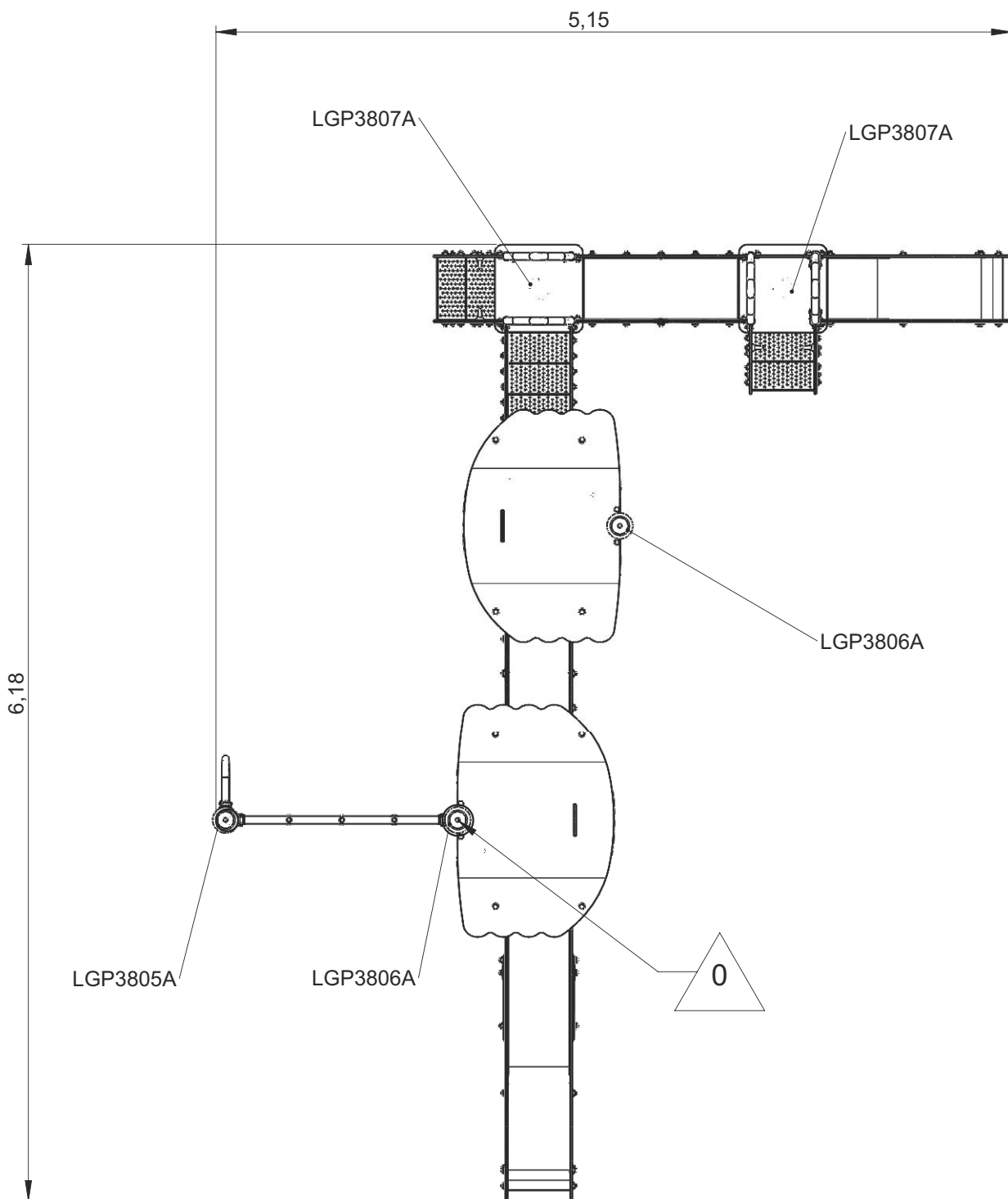
— Dalle béton  
 Concrete pad  
 Solera de hormigon  
 Beton bodenplatte  
 Betonnen bodemplaat

**35 m**  
**50 m<sup>2</sup>**

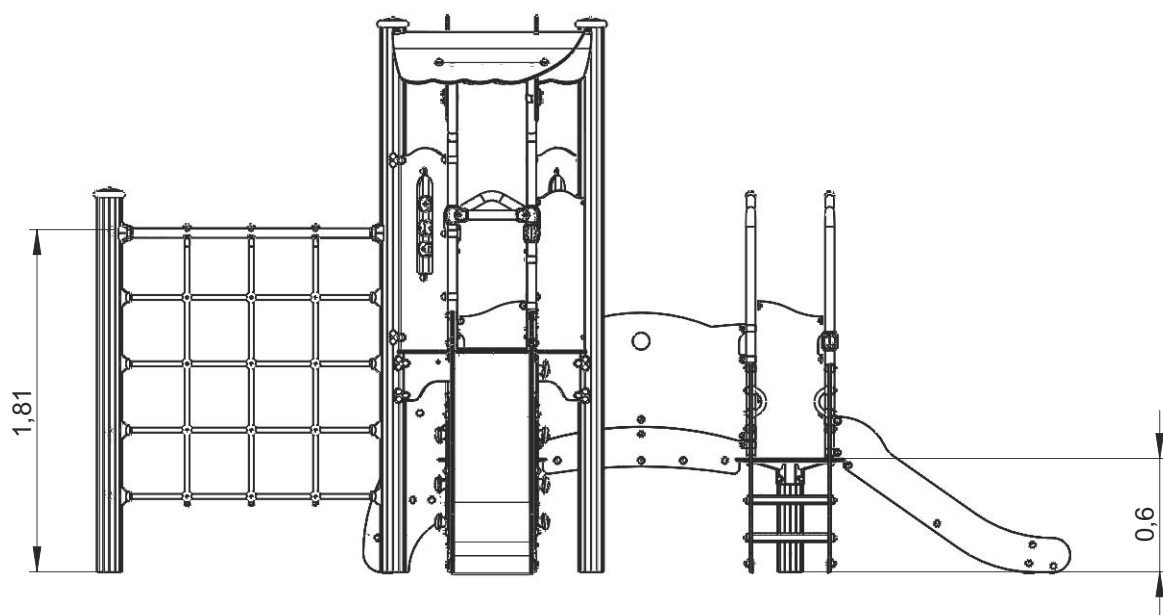
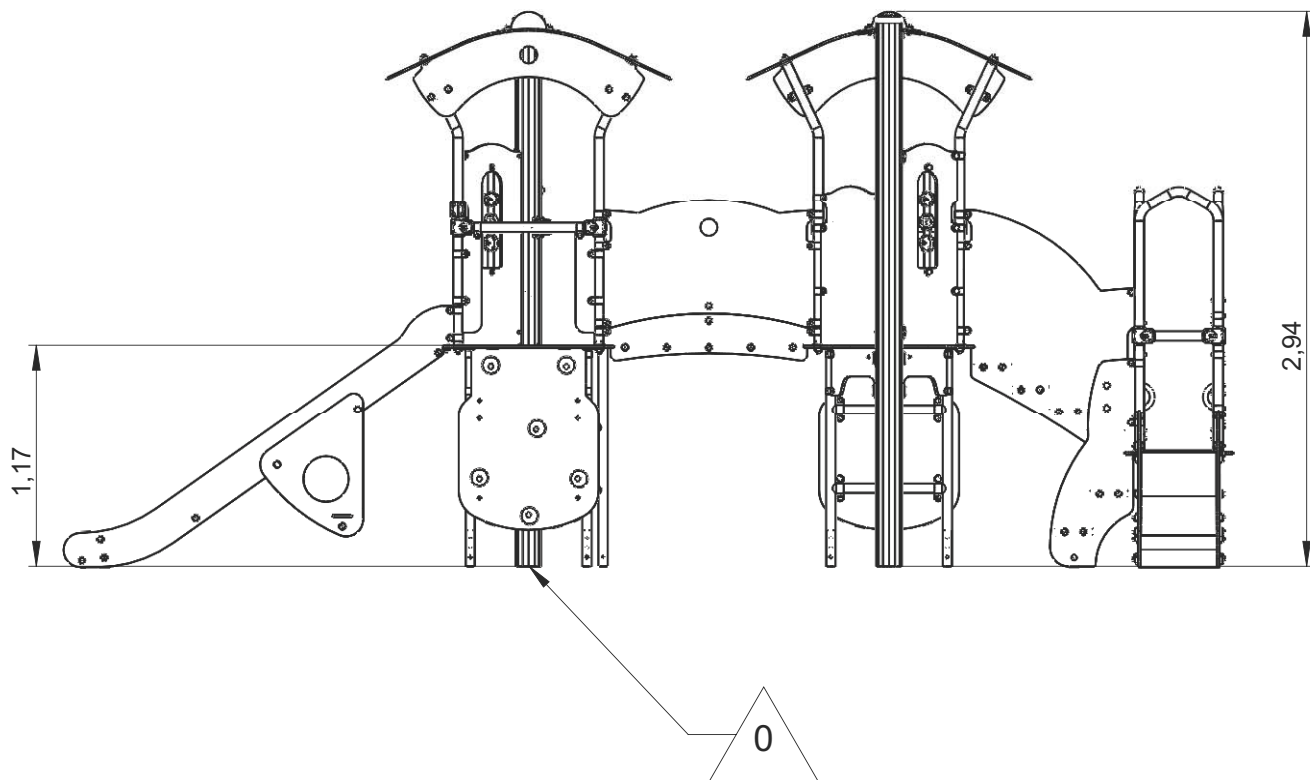


— Sol fluent  
 Loos partucule material **39 m**  
 Arenero  
 Loses Bodenmaterial **59 m<sup>2</sup>**  
 Los bodemmaterialaal

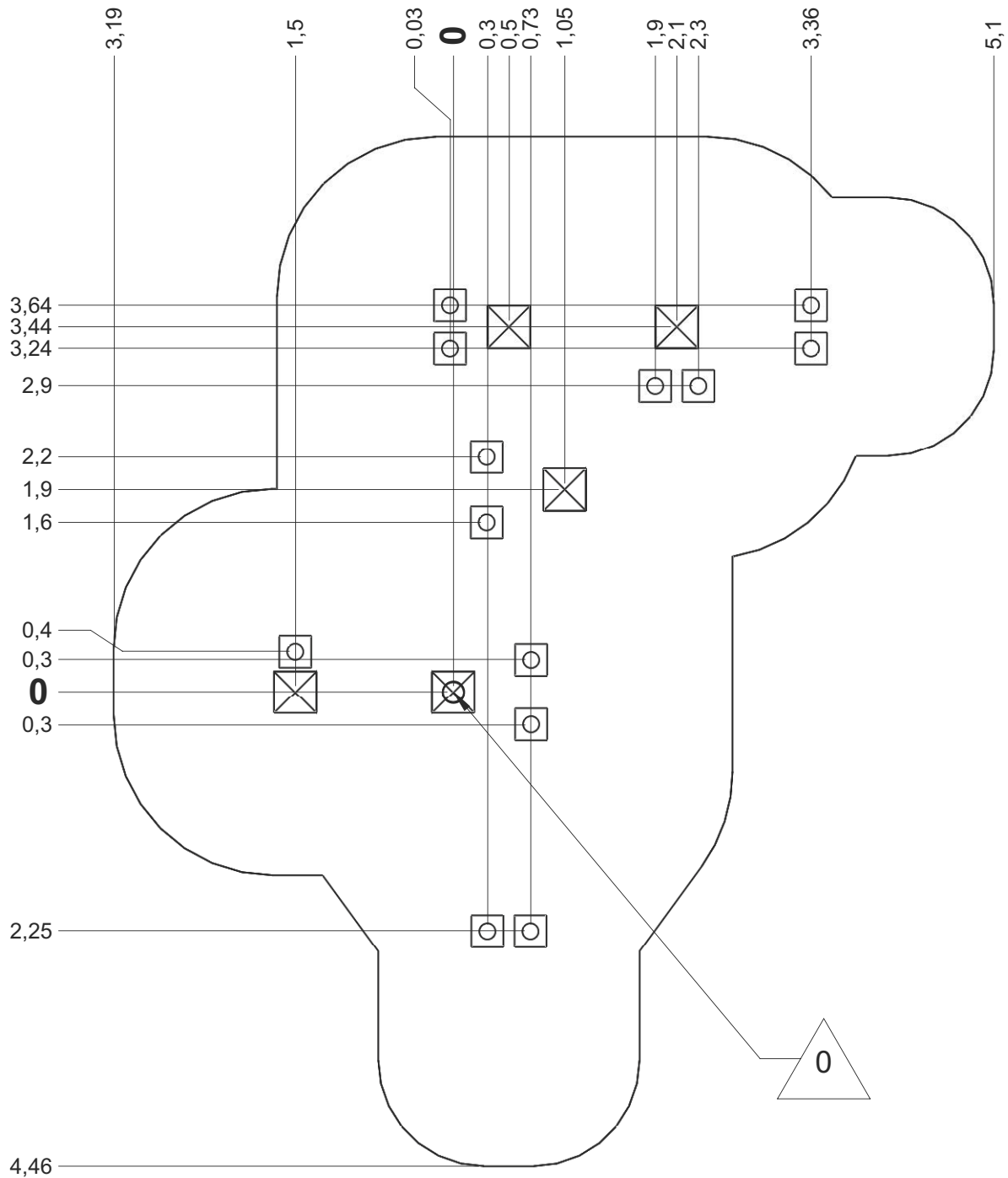




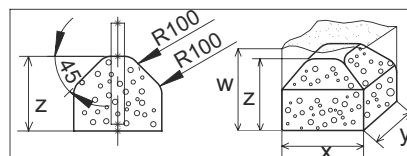







Implantation  
 Footing plan  
 Implantación  
 Fundomentplan  
 Funderingstekening

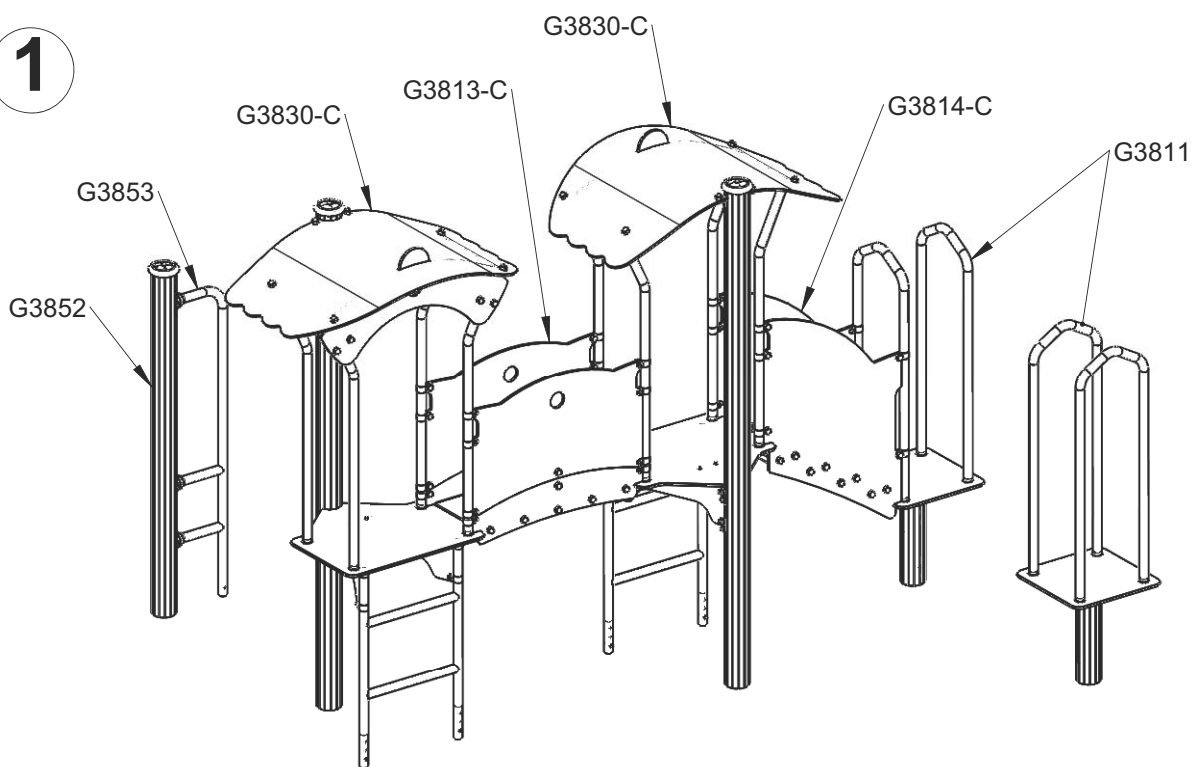


 x2  
 30H  
 0.36 m<sup>3</sup>

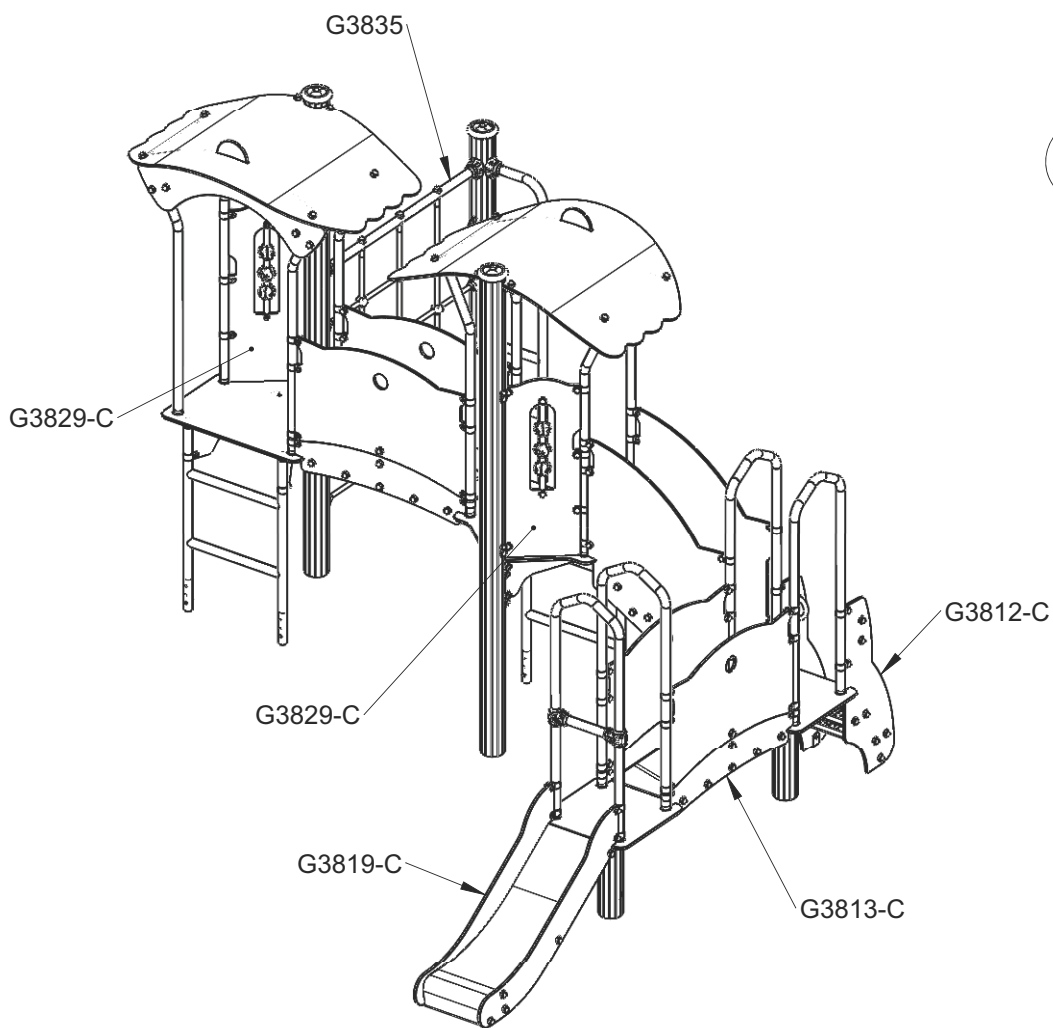


	x	y	z	w
	0.3	0.3	0.3	0.6
	0.4	0.4	0.3	0.6
	0.6	0.3	0.3	0.6

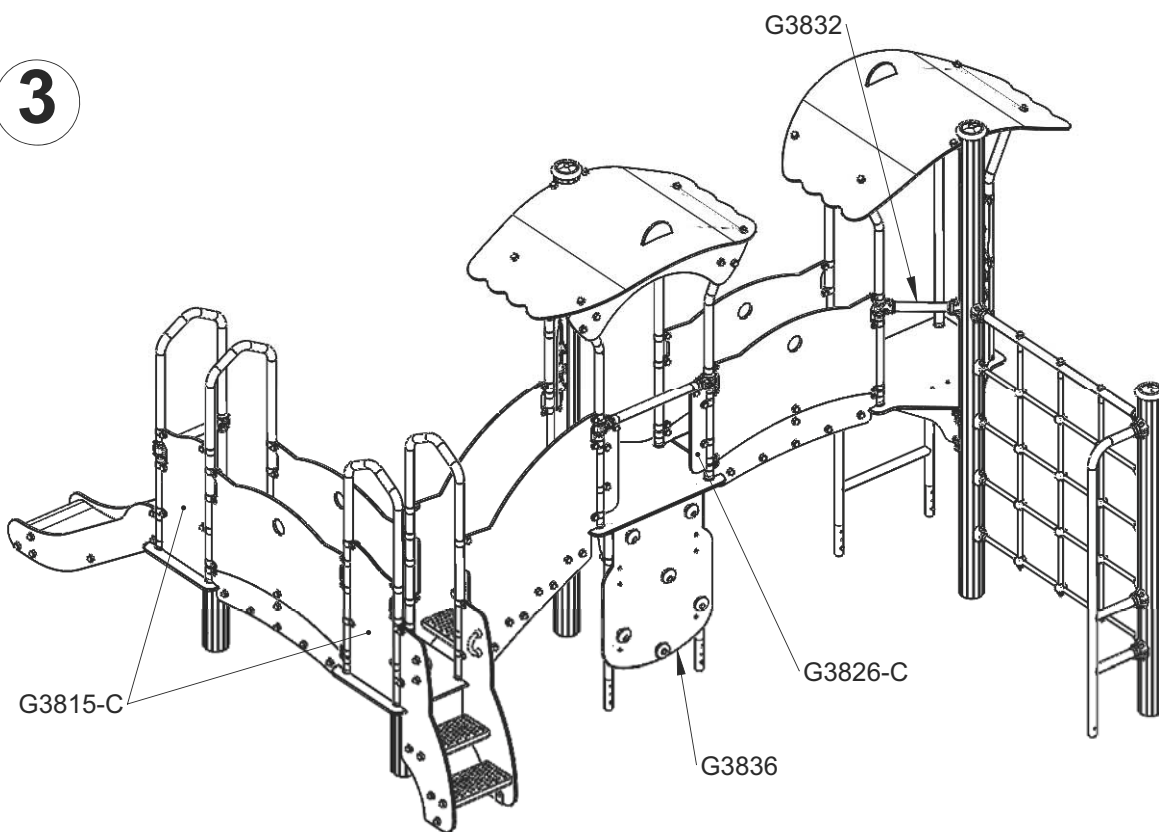
1



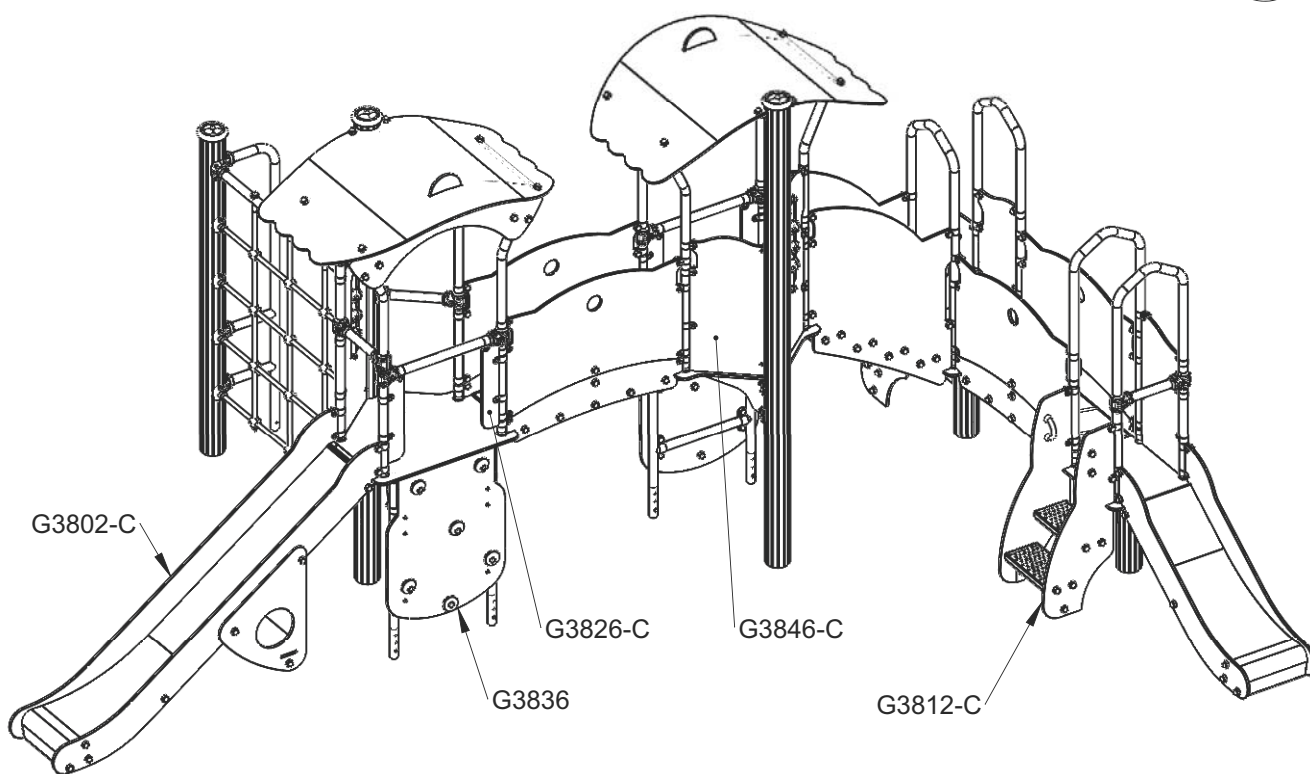
2

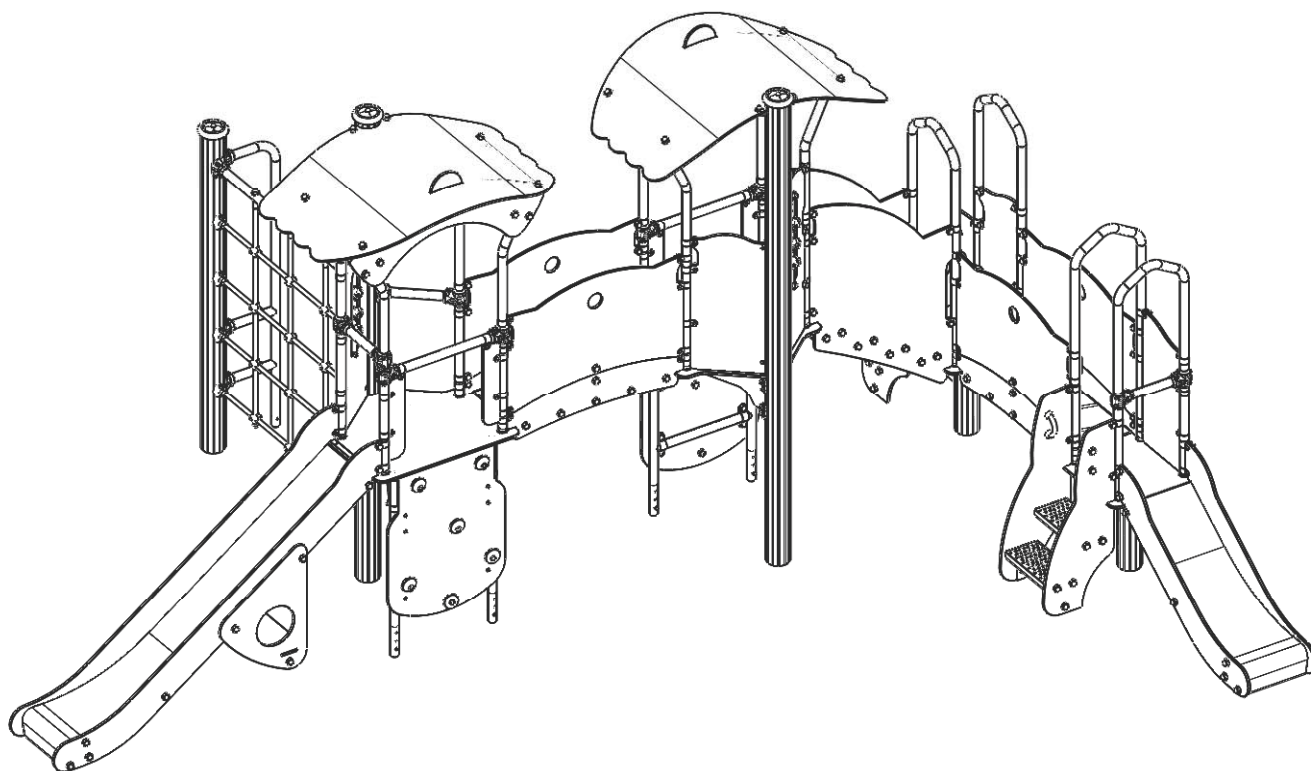


3

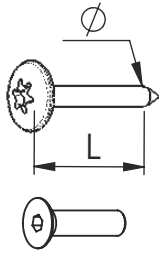


4



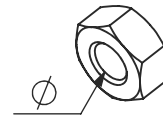


Réf	Qté
G3802-C	1
G3811	2
G3812-C	2
G3814-C	1
G3815-C	2
G3826-C	2
G3829-C	2
G3830-C	2
G3846-C	1
G3852	1
G3813-C	2
G3819-C	1
G3832	1
G3835	1
G3836	2
G3853	1

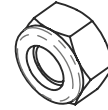


VBT 6 x 30  
 $\varnothing$   $\uparrow$  L (mm)

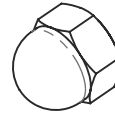
VFHC



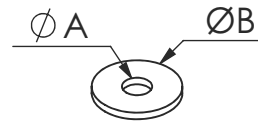
VEC M10  
 $\varnothing$




VEF




VEB



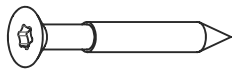
VR6x18  
 $\varnothing A$   $\varnothing B$



**1000 - 1800 tr/min**  
 Vitesse de rotation  
 Rotation speed



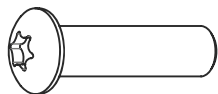
**14 N.m**  
 Couple de rupture  
 Torque of break



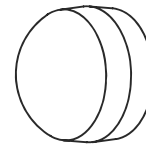
VWT



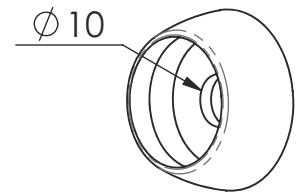
VGC



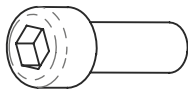
VCBHC



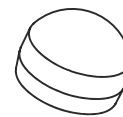
M10 440N



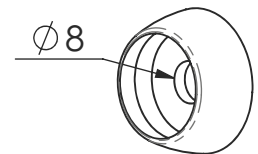
M10 310 N



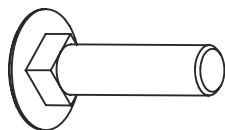
VBTR



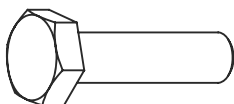
M8440N



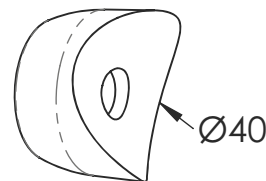
M8310N



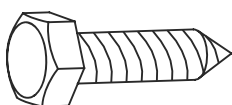
VTRCC



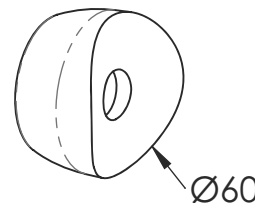
VTH



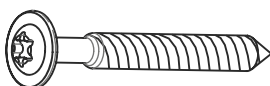
MI2503



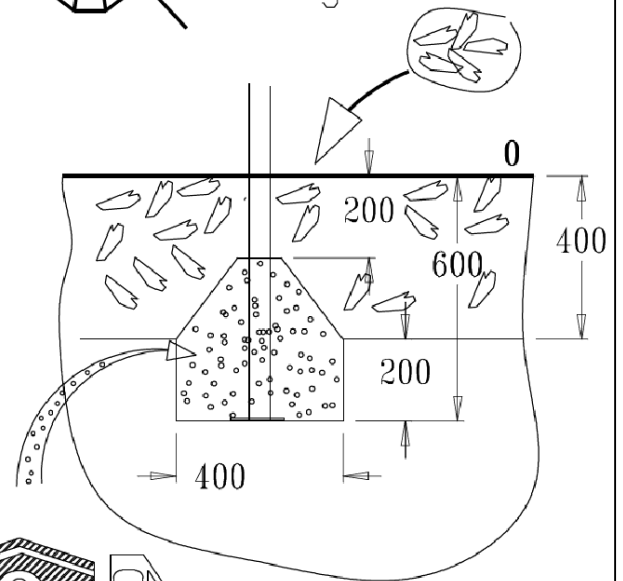
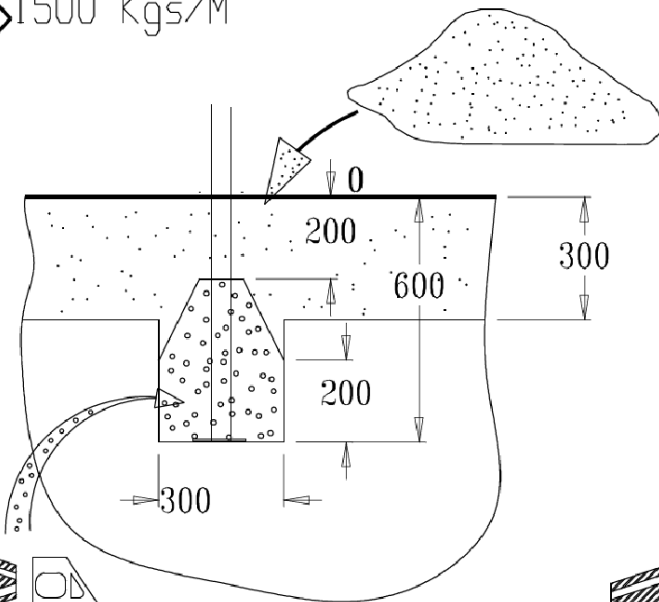
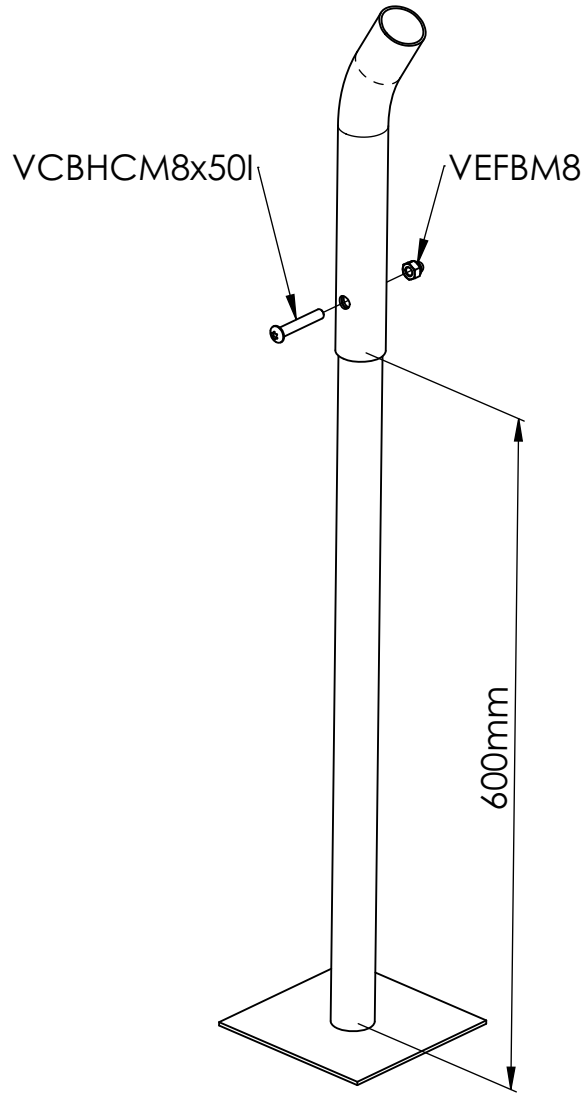
VTF



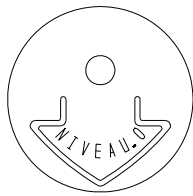
MI2701



VBT



A



MI0002

VCBHCM10

M10310N  
VEFM10  
M10440N

LG08

M10440N  
VEFM10  
MI2503

LG3802

M10440N  
VTH10\*80  
MI2503

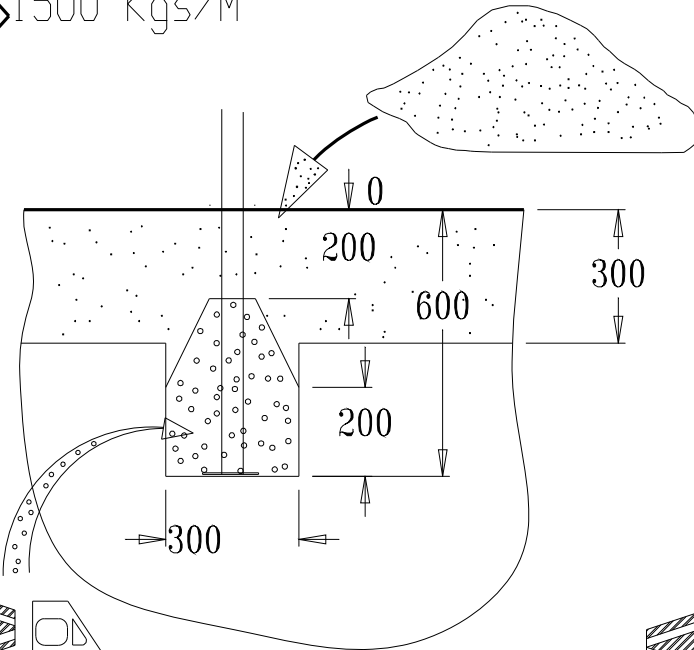
LG3804



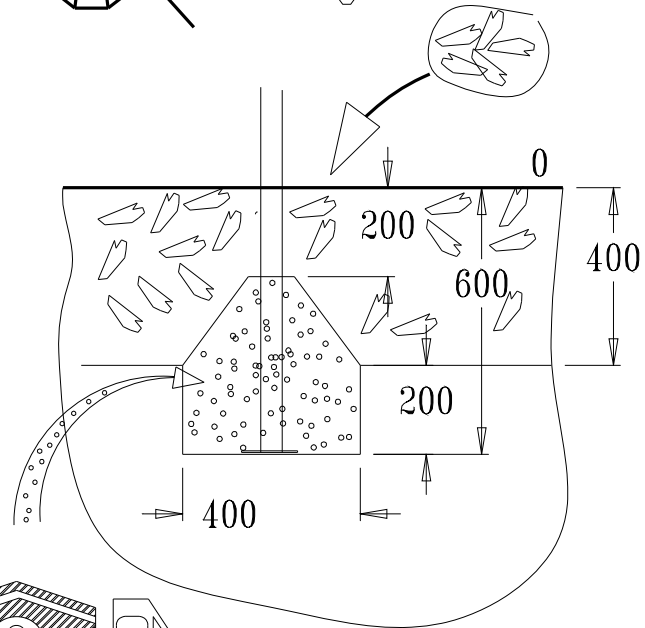
> 1500 Kgs/M<sup>3</sup>



< 1500 Kgs/M<sup>3</sup>



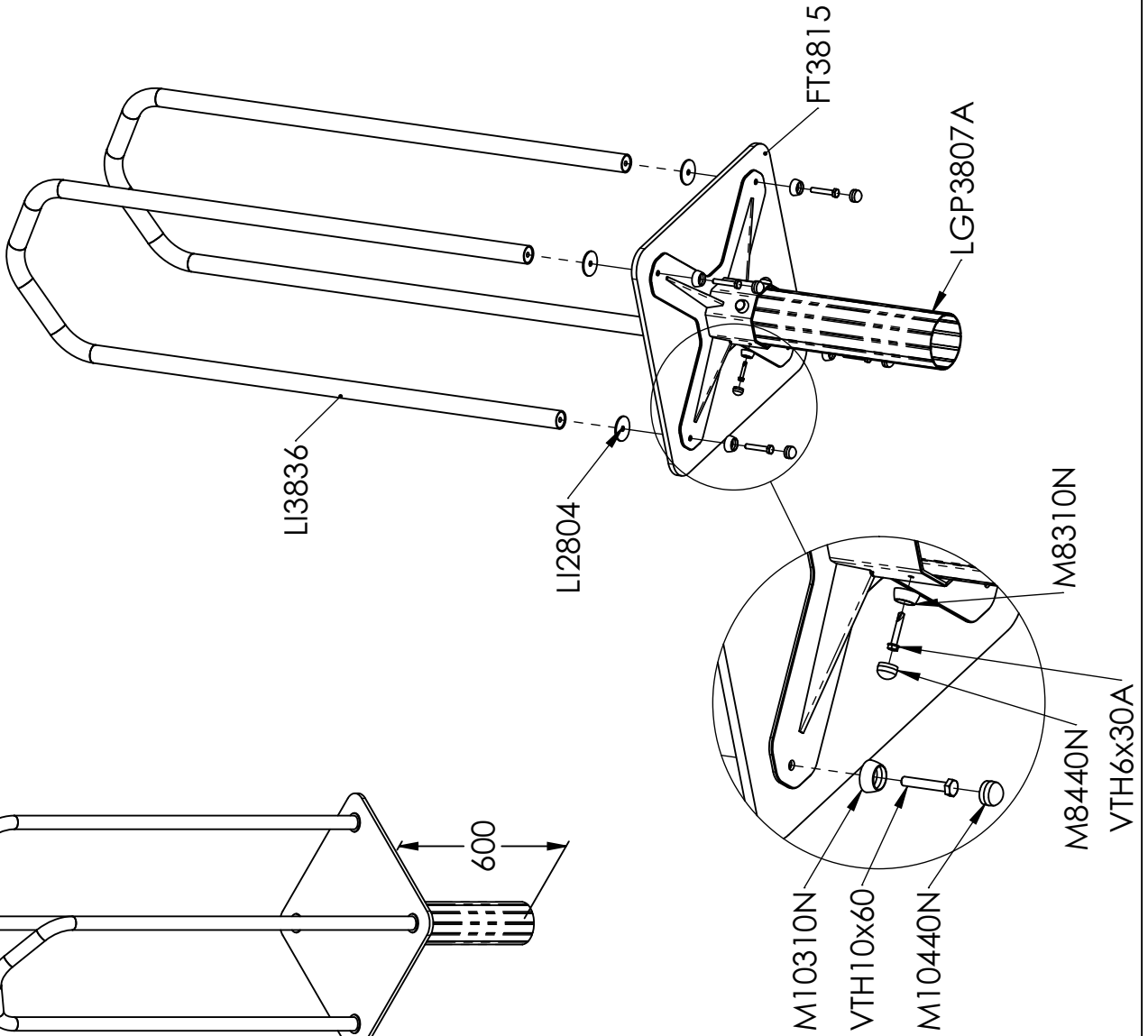
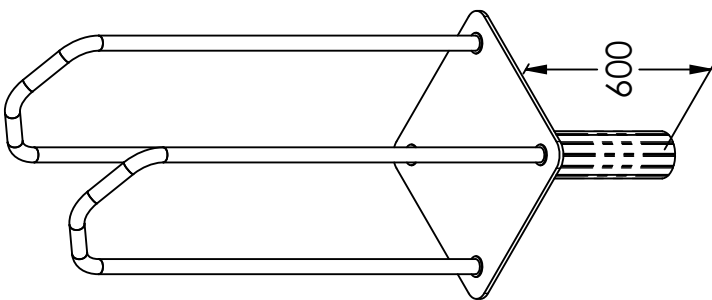
50 Kgs



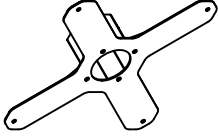
90 Kgs



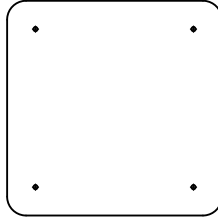




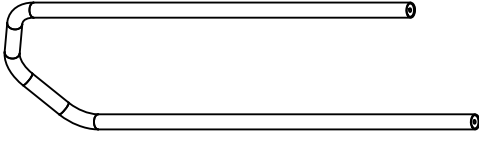
LG3810



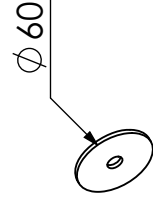
FT3815



LI3836

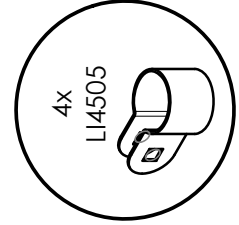
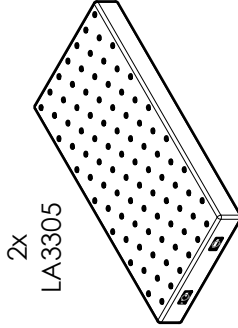
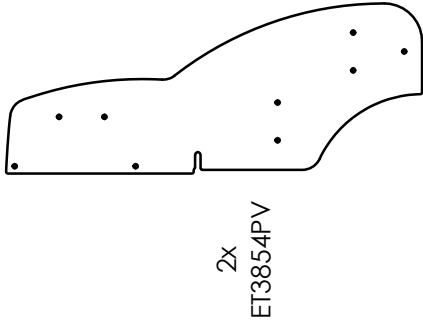
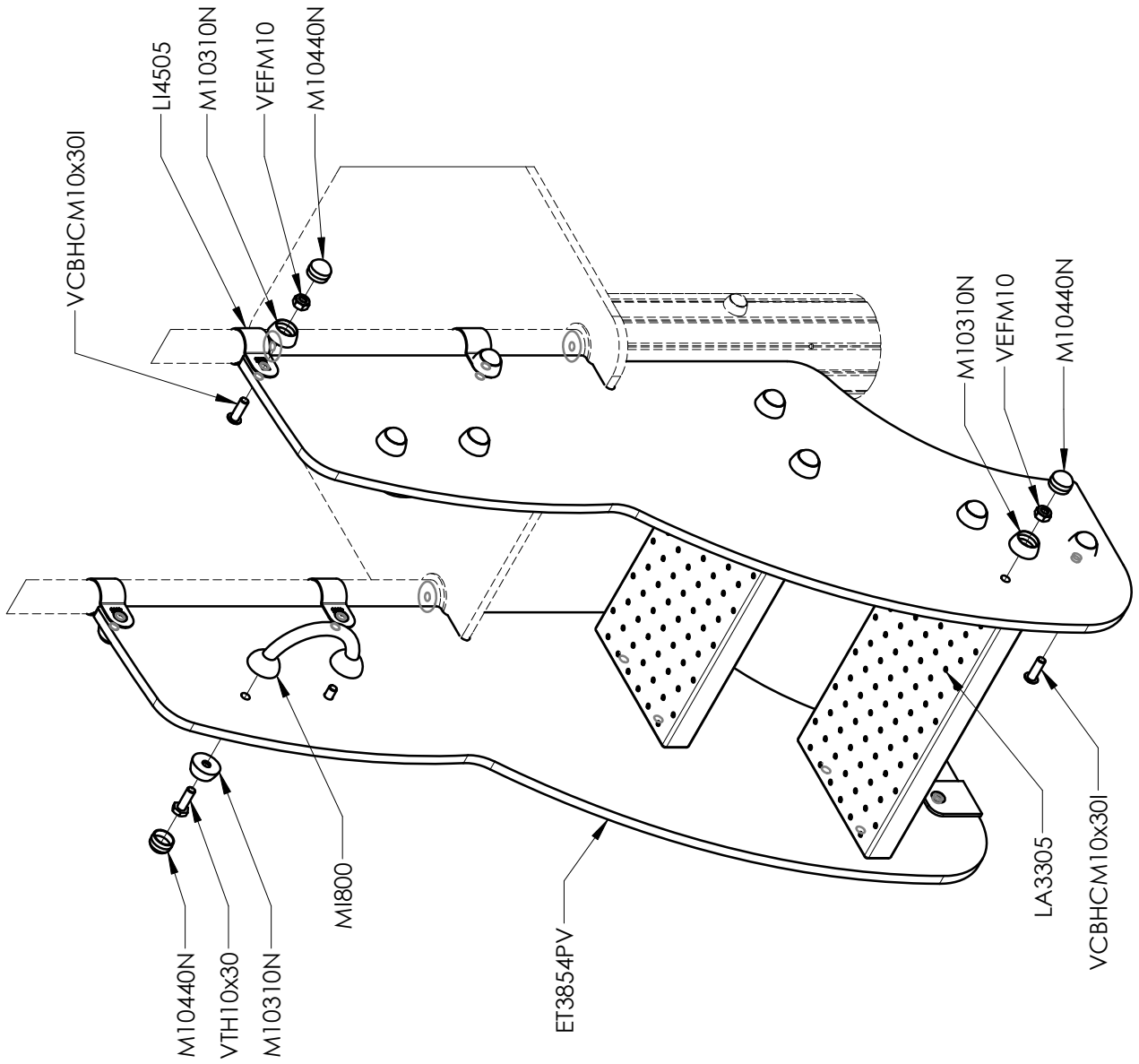


LGP3807A

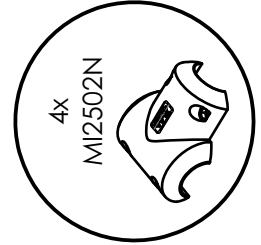
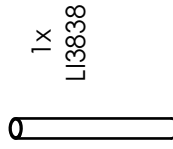
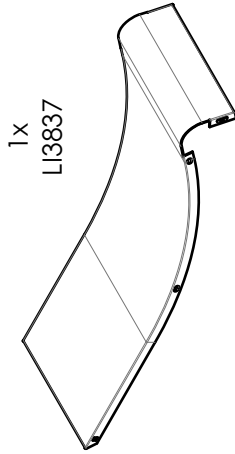
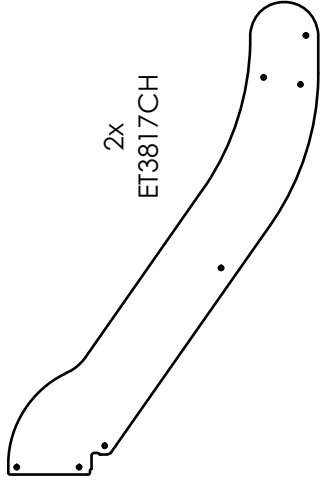
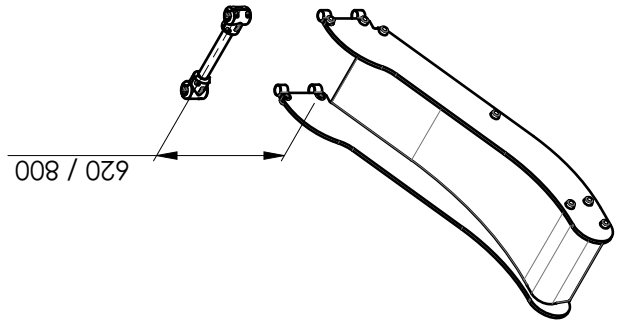
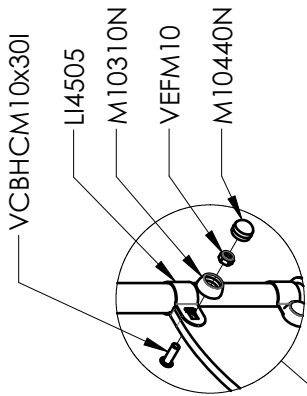
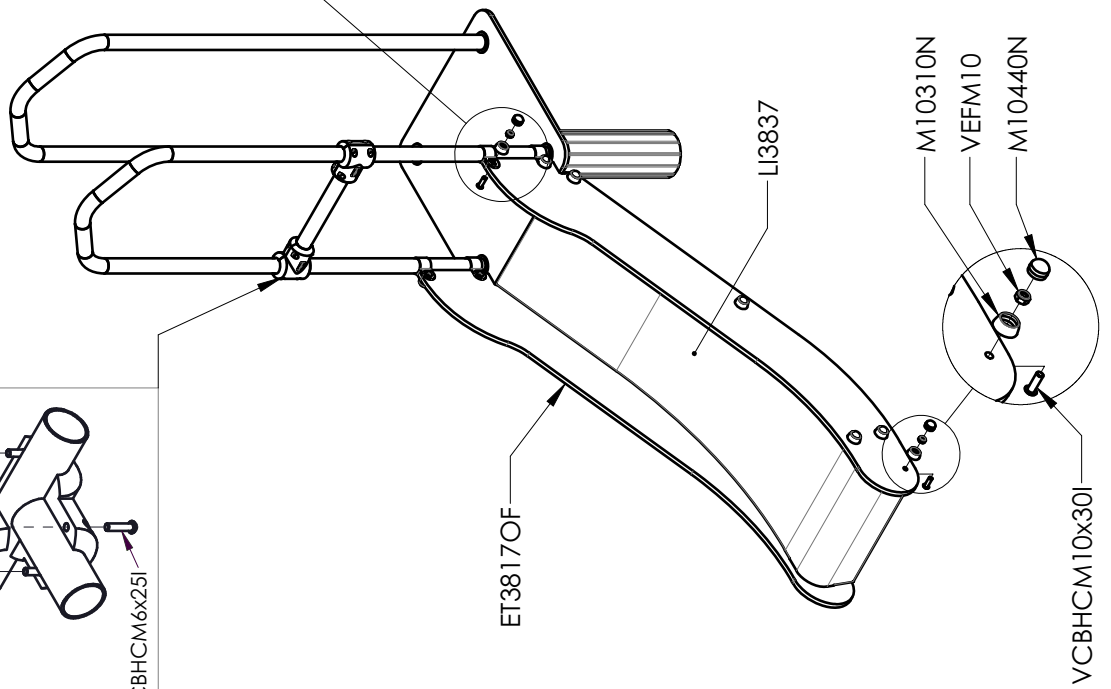
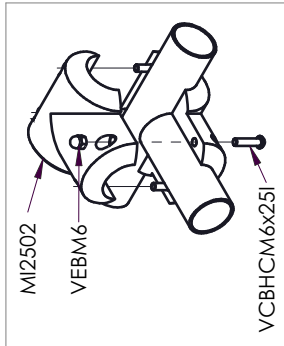


LI2804

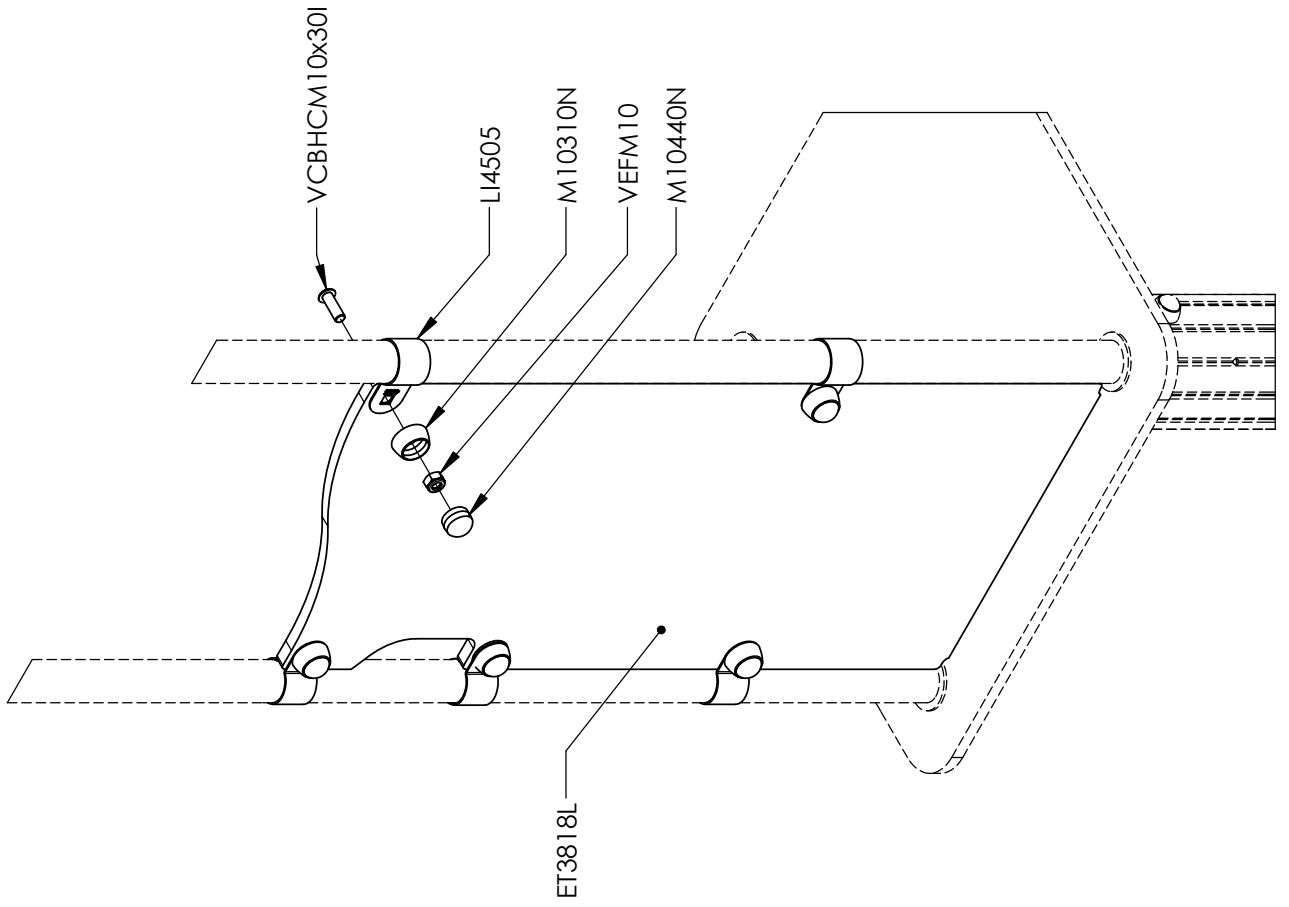
Réf	Qte
FT3815	1
LG3810	1
LGP3807A	1
LI2804	4
LI3836	2
M8310N	4
M8440N	4
M10310N	4
M10440N	4
VTH6x30A	4
VTH10x60	4



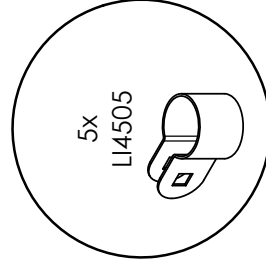
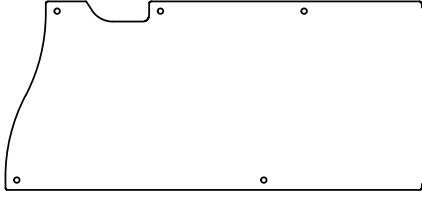
ET3854PV	2
LA3305	2
LI4505	4
M10310N	18
M10440N	18
M1800	2
VCBHCM10x30I	14
VEFM10	14
VTH10x30	4



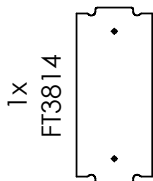
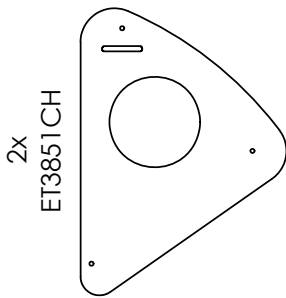
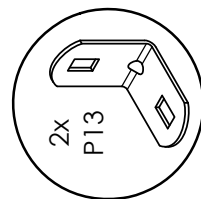
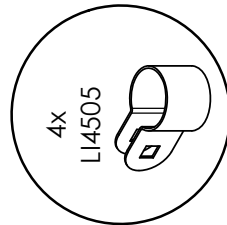
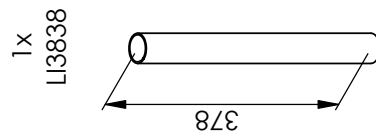
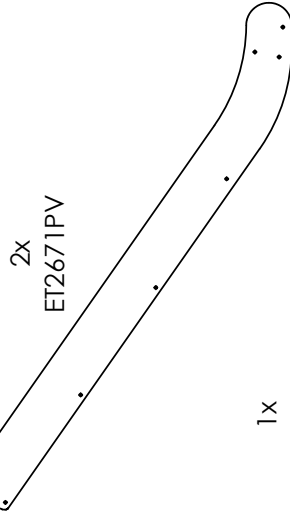
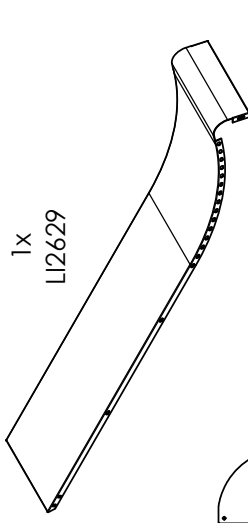
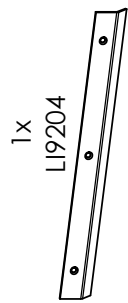
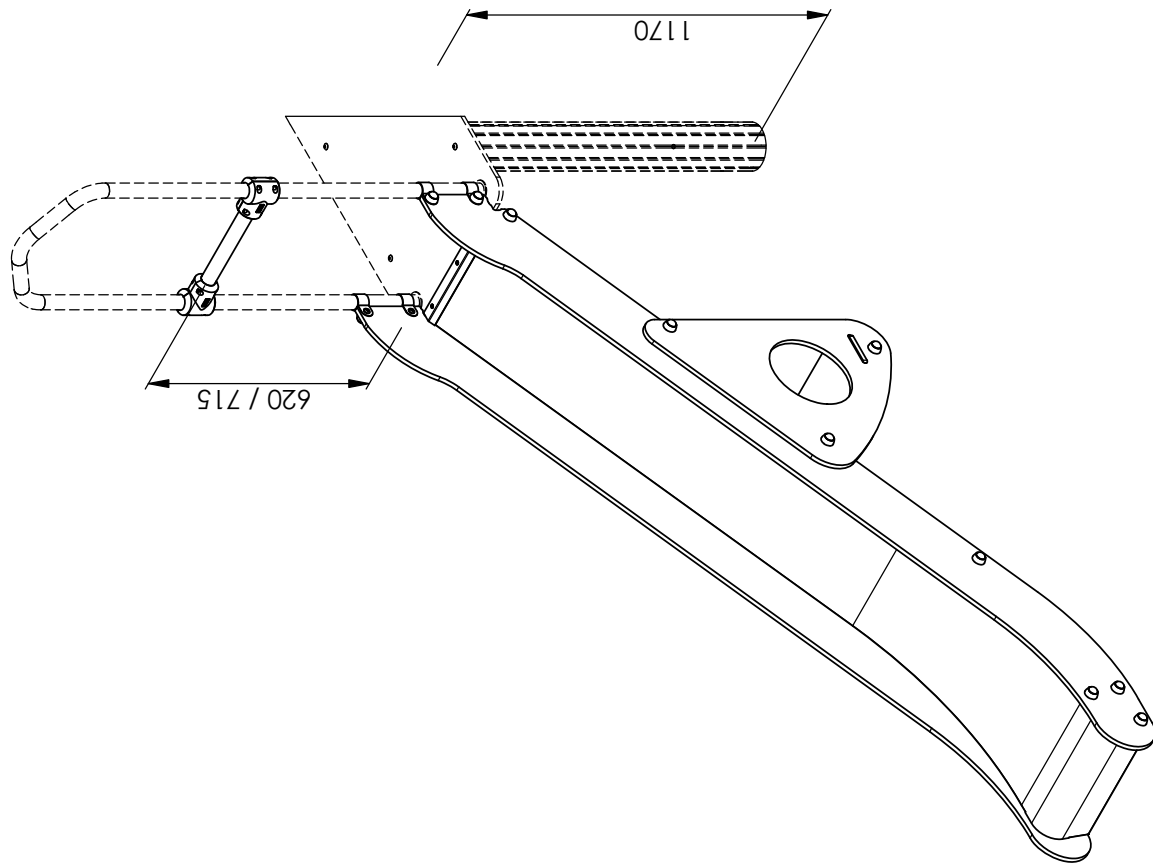
ET3817CH	2
LI3837	1
LI3838	1
LI4505	4
M10310N	14
M10440N	14
MI2502N	4
VCBHCM6x25I	8
VCBHCM10x30I	14
VEBM6	8
VEFM10	14



1x  
ET3818L

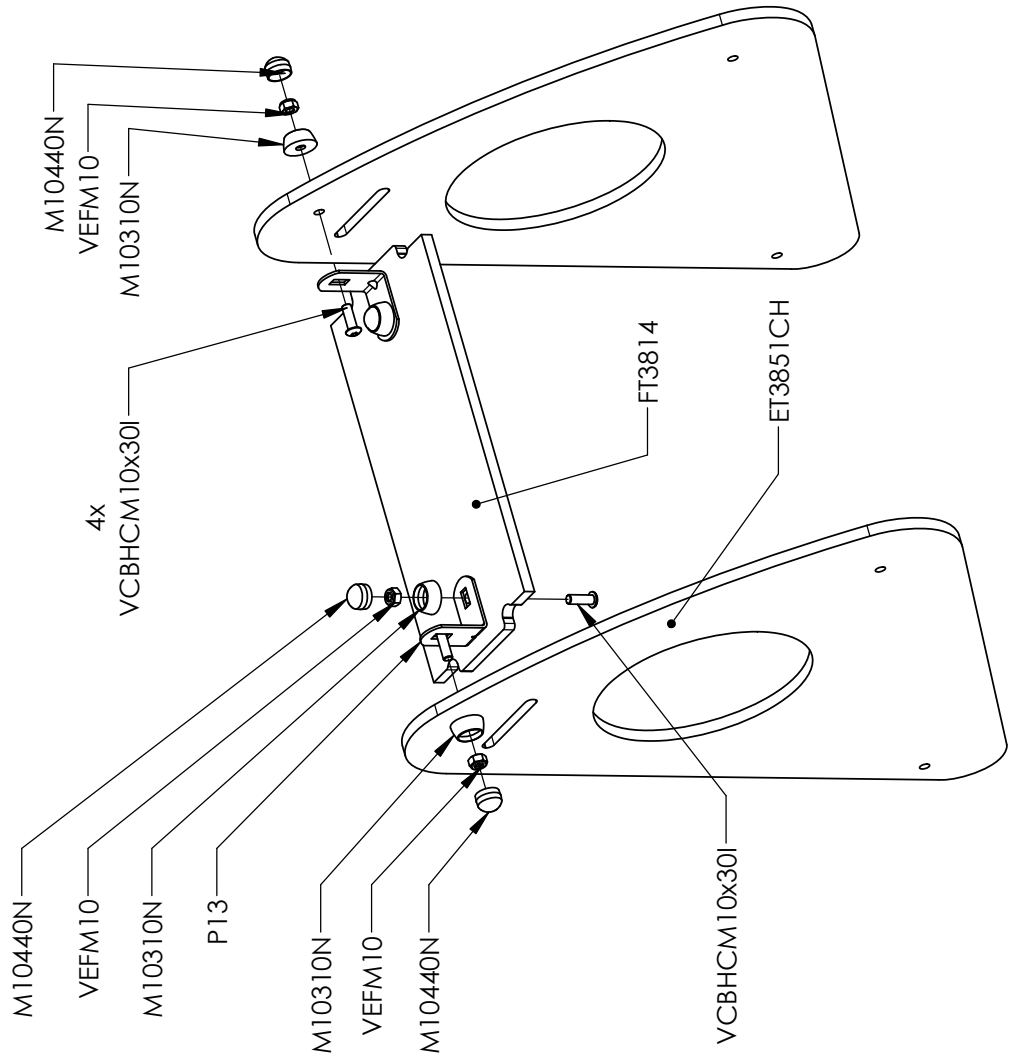


LI4505	5
M10310N	5
M10440N	5
VCBHCM10x30I	5
VEFM10	5
ET3818L	1

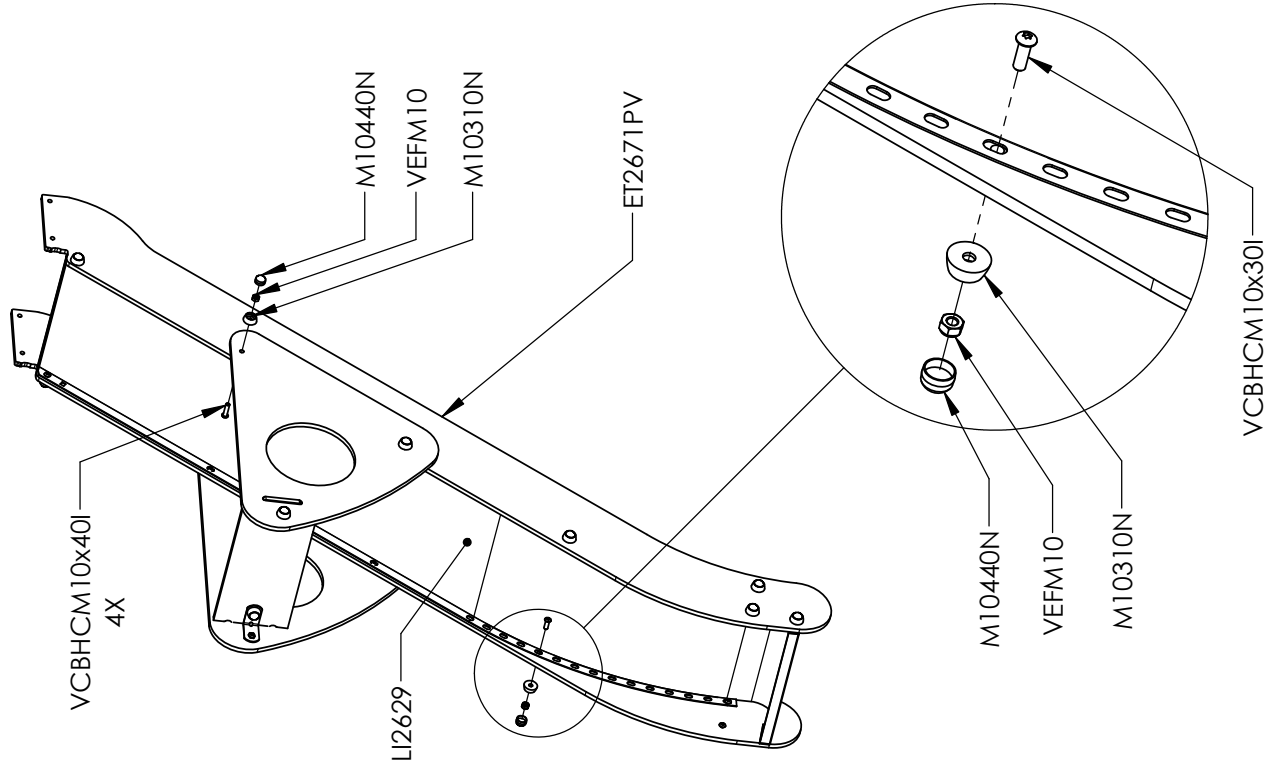


ET2671PV	2
ET3851CH	2
FT3814	1
LI2629	1
LI3838	1
LI4505	4
LI9204	1
M8310N	3
M8440N	3
M10310N	22
M10440N	22
MI2502N	4
P13	2
VCBHC6x25I	8
VCBHC10x30I	18
VCBHC10x40I	4
VEBM6	8
VEFM5	3
VEFM10	22
VFHCM5x30	3
VR6x18	3

1



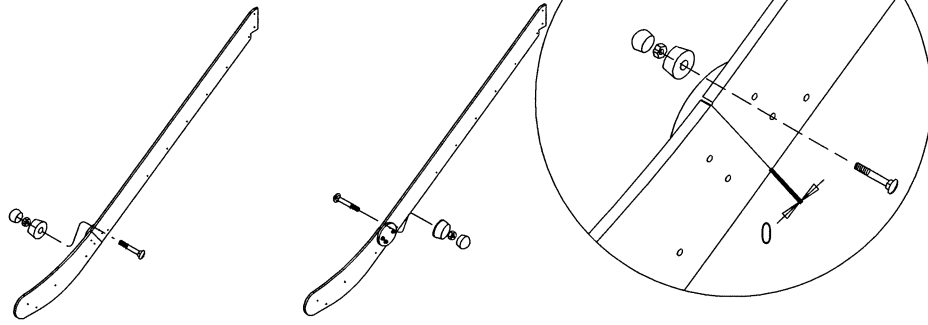
2



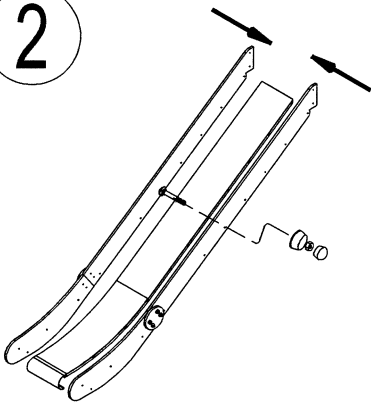




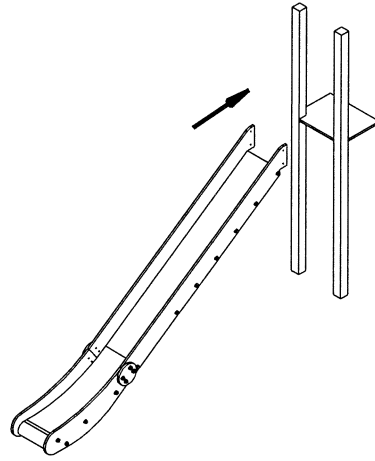
1



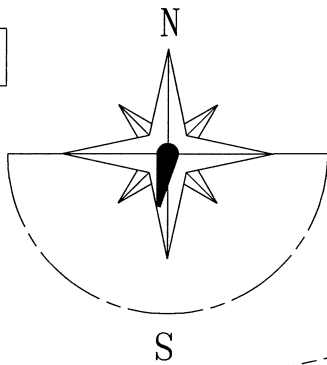
2



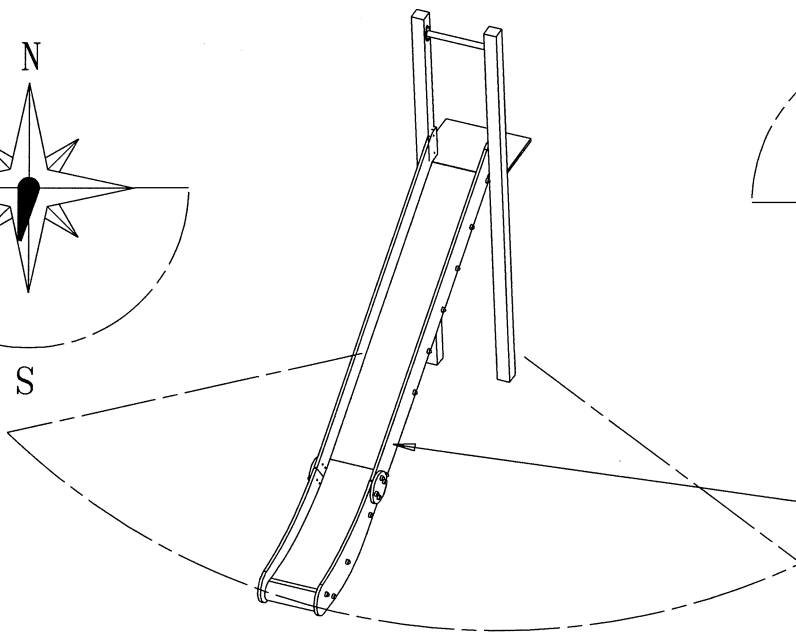
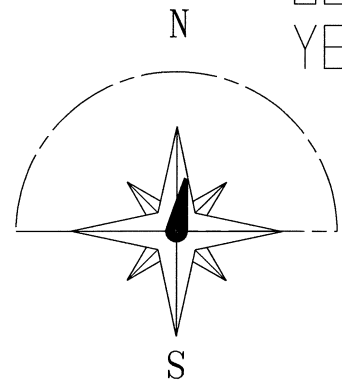
3



NON  
NO

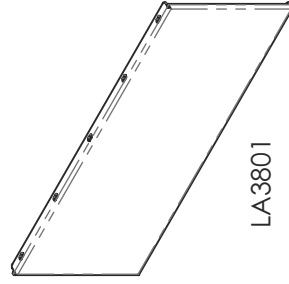
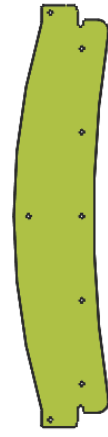
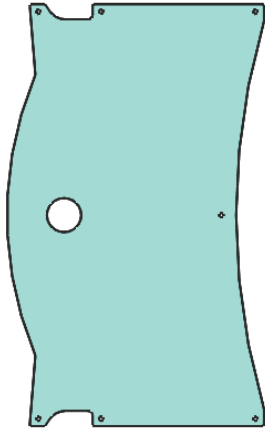
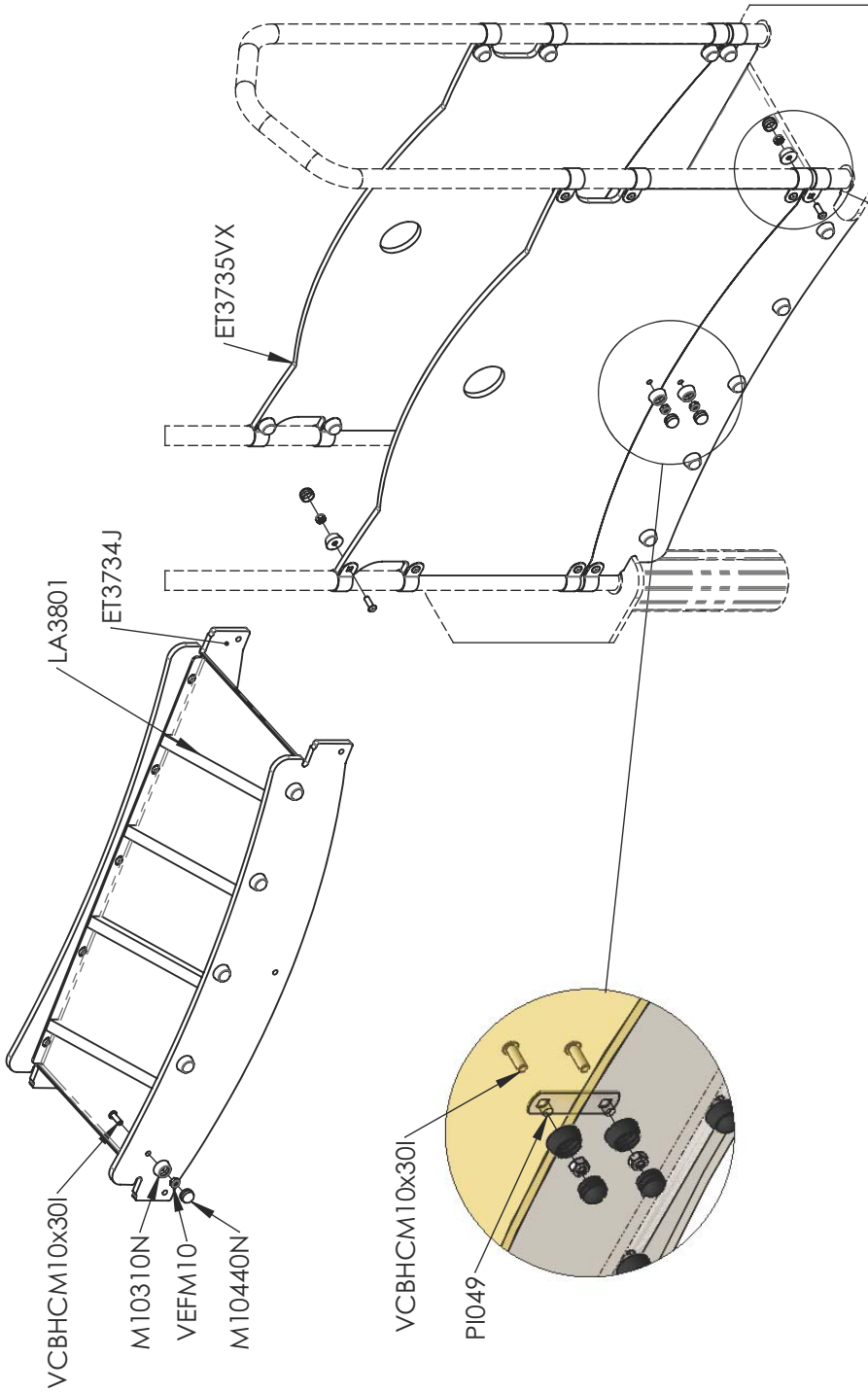


OUI  
YES



FR

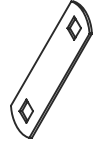
Il est recommandé de ne pas orienter la glissière Sud / Sud Ouest



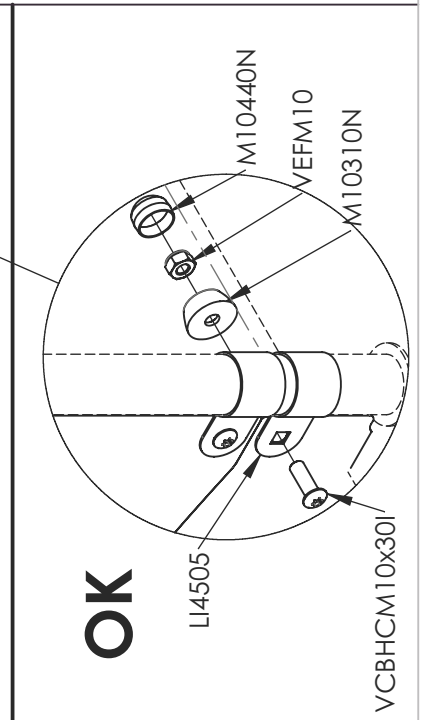
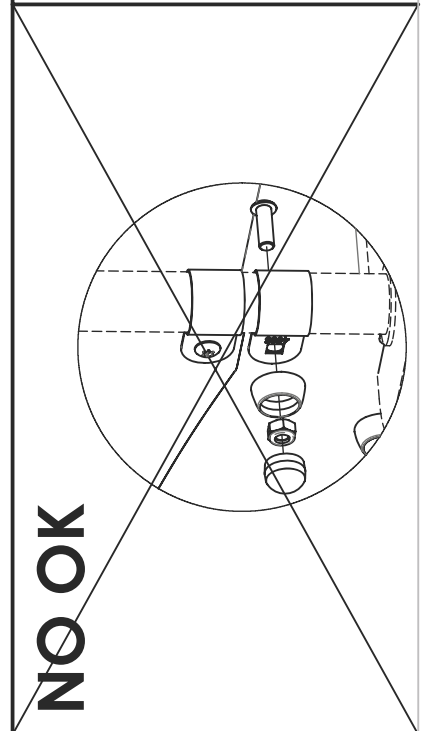
LI4505

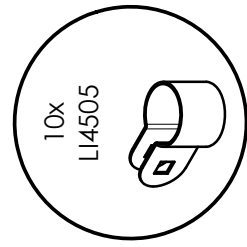
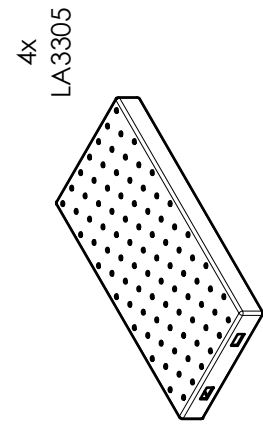
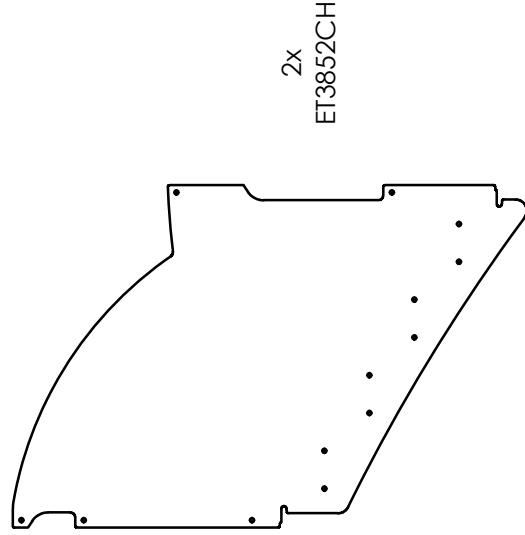
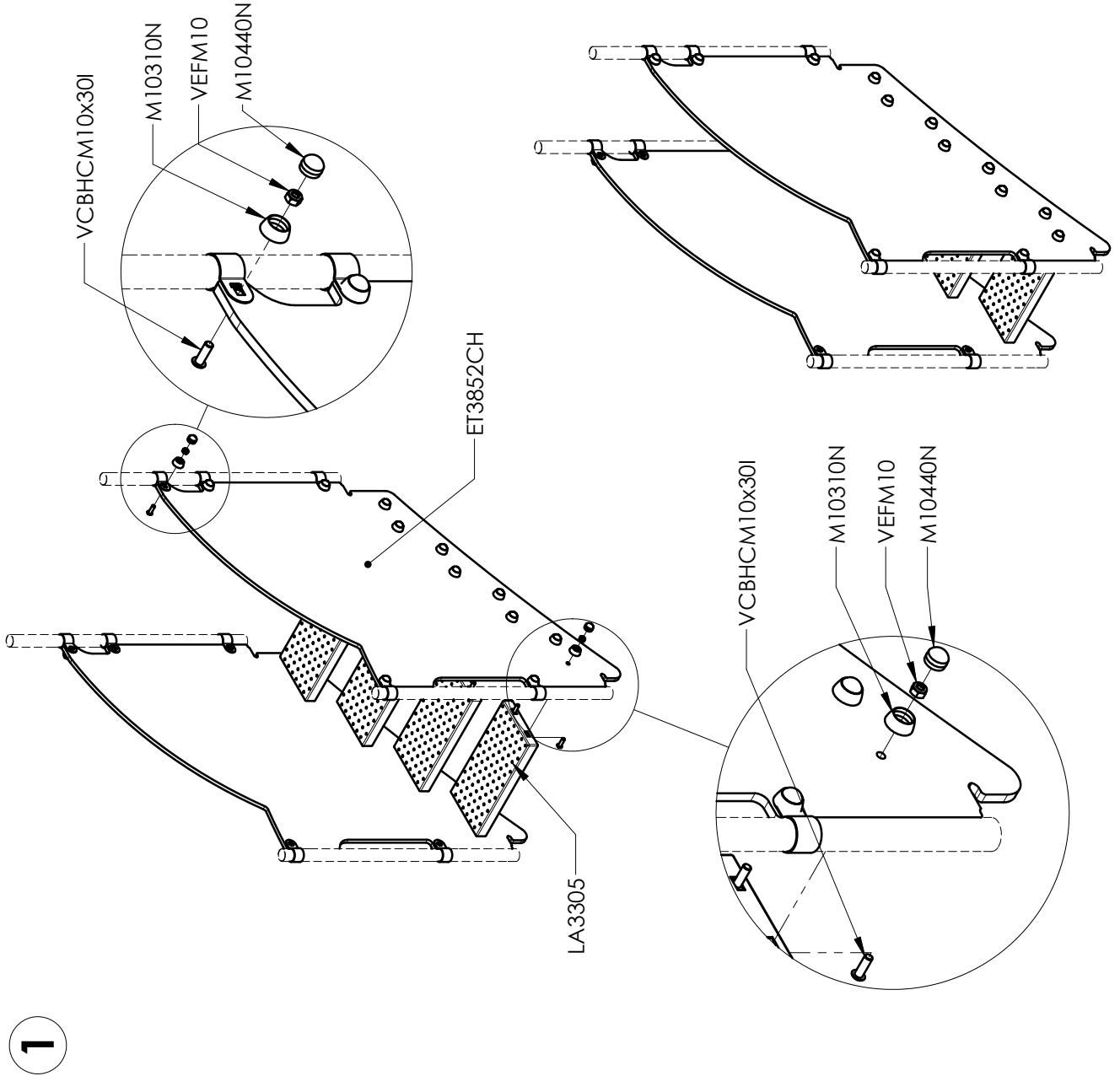


P1049



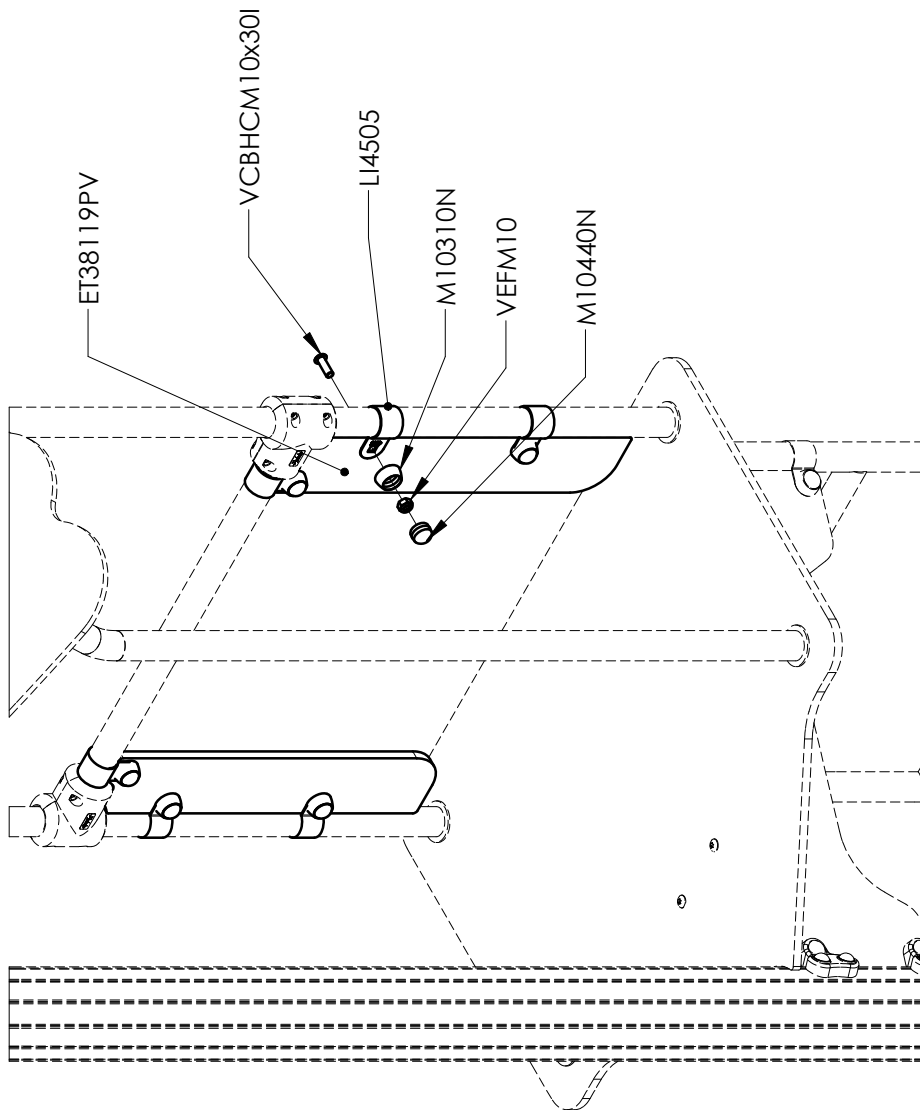
Réf	Qté
ET3734J	2
ET3735VX	2
LA3801	1
LI4505	16
M10310N	30
M10440N	30
P1049	2
VCBHCM10x30I	30
VEFM10	30



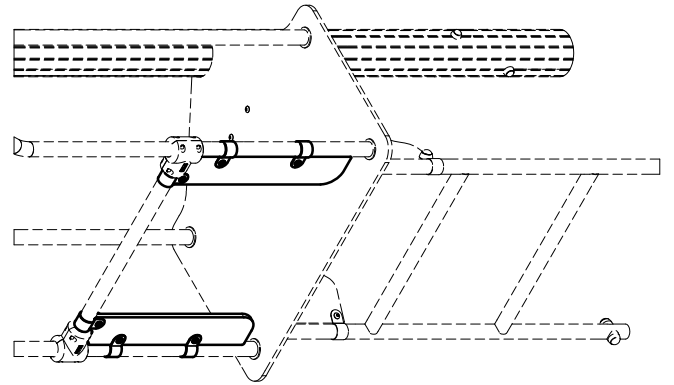
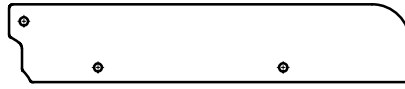


ET3852CH	2
LA3305	4
LI4505	10
M10310N	26
M10440N	26
VCBHCM10x30I	26
VEFM10	26

1

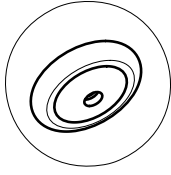
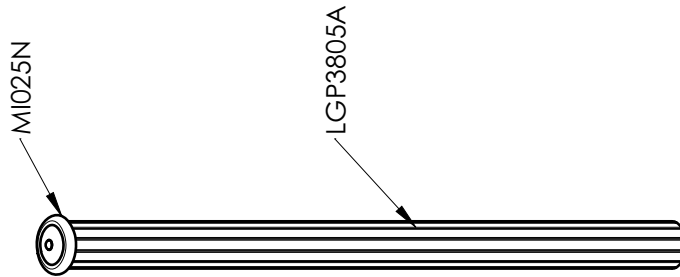
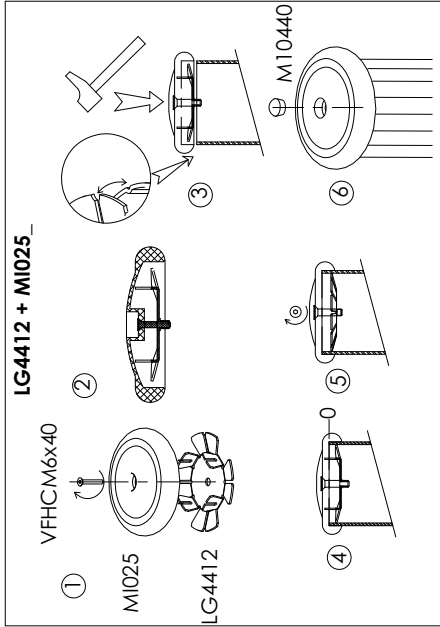


2x  
ET38119PV

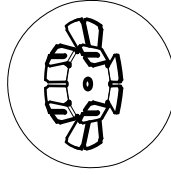


ET38119PV	2
LI4505	6
M10310N	6
M10440N	6
VCBHCM10x30I	6
VEFM10	6





MI025

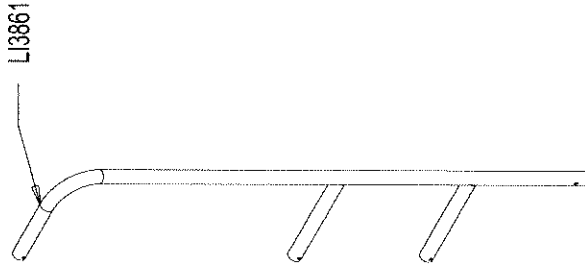
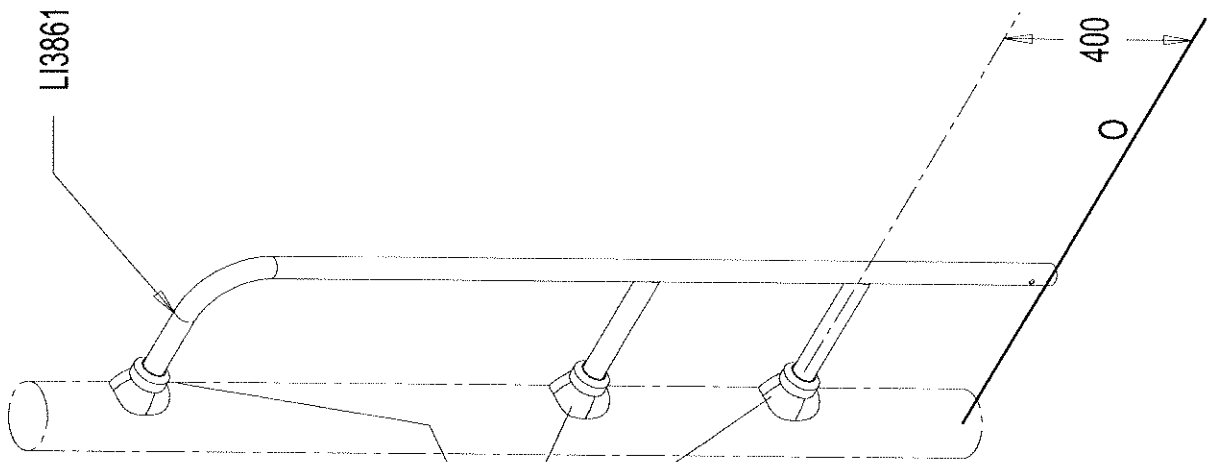
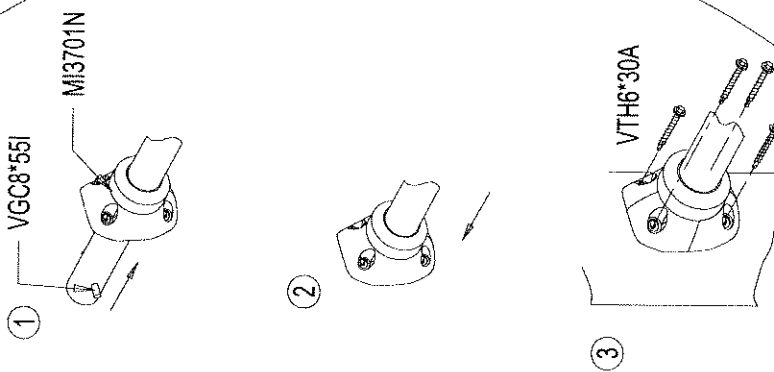



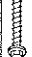

LG4412

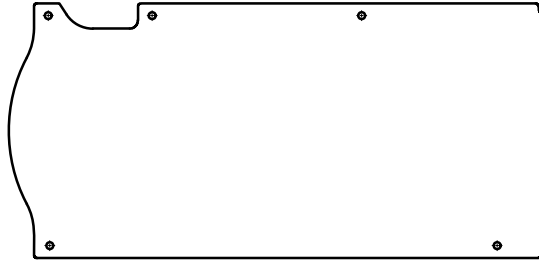
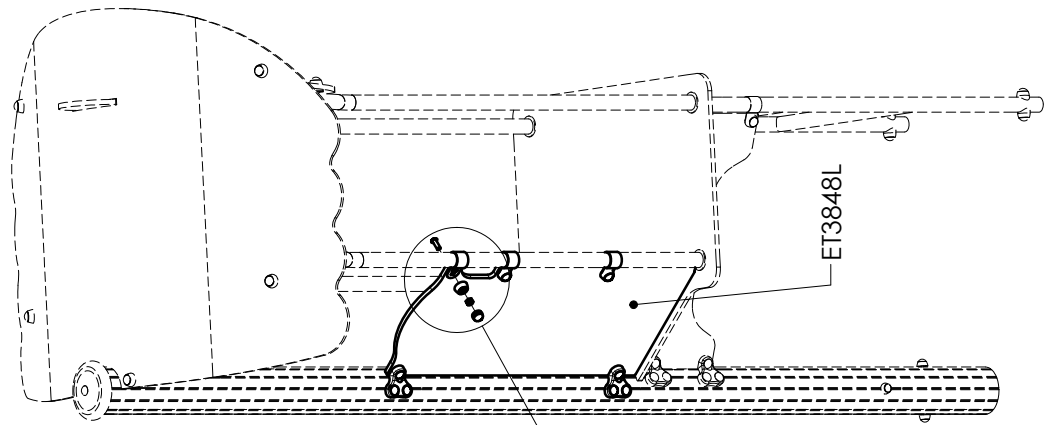
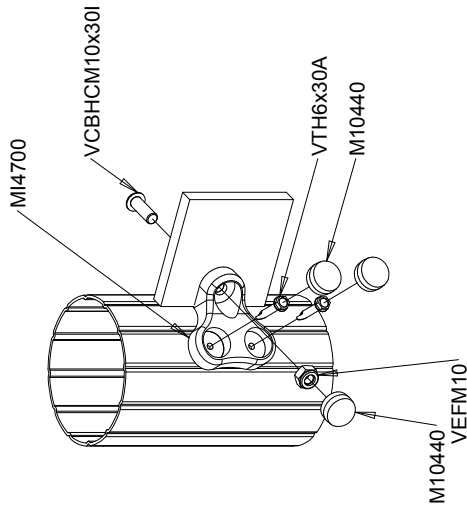


LGP3805A

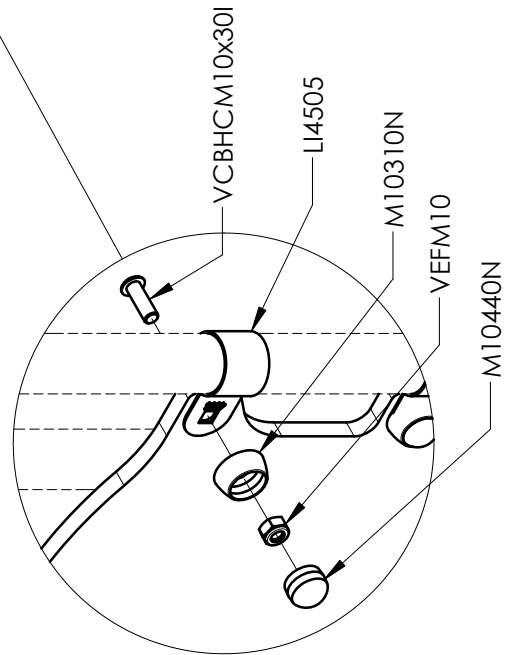
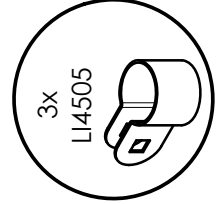
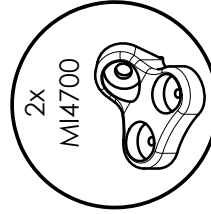
Réf	Qté
LG4412	1
LGP3805A	1
M10440N	1
MI025N	1
VFHCM6x40	1



	VGC8*55I	3
	VTH 6x30A	12
	MI3701N	3

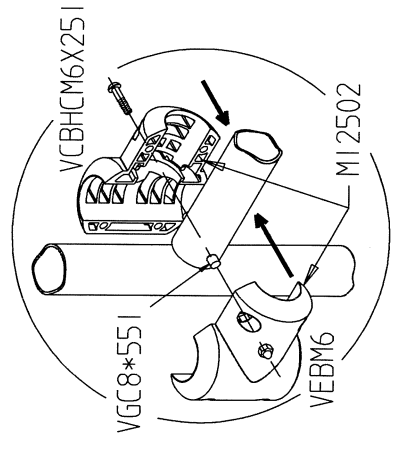
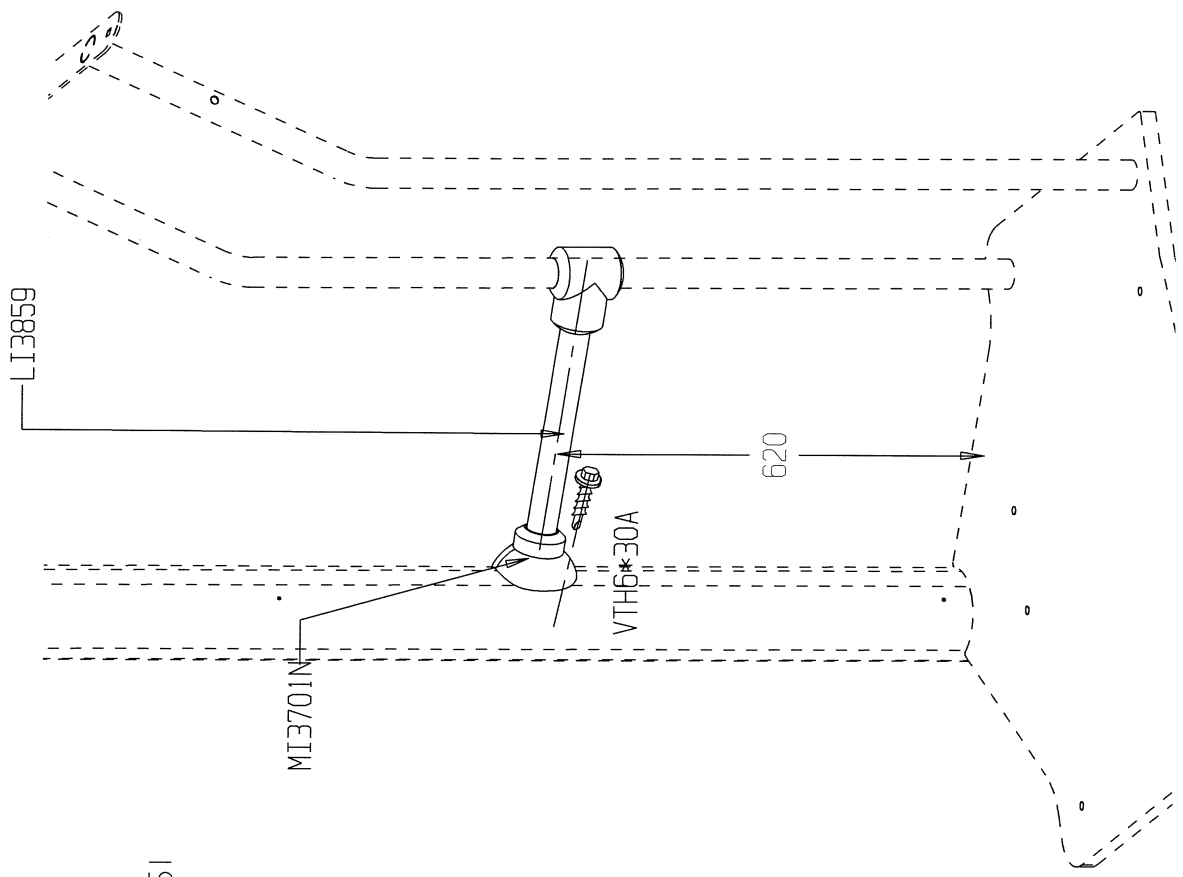
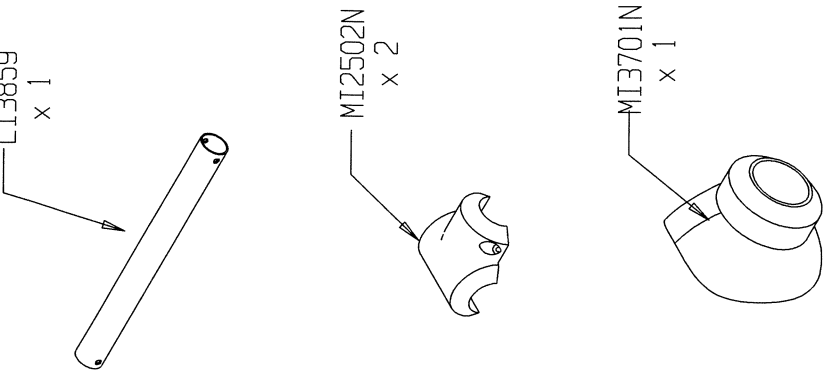


1x  
ET3848L



ET3848L	1
LI4505	3
M10310N	3
M10440N	9
MI4700	2
VCBHCM10x30I	5
VEFM10	5
VTH6x30A	4

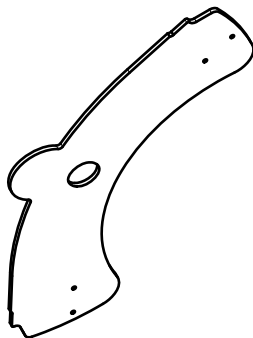




	VGC8*55I	2
	VEBM6	4
	VCBHC6*25I	4
	VTH6*30A	4

LGP3806A

1x  
ET3831



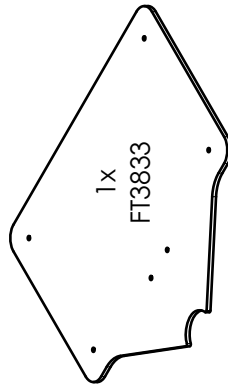
1x  
LP3800N



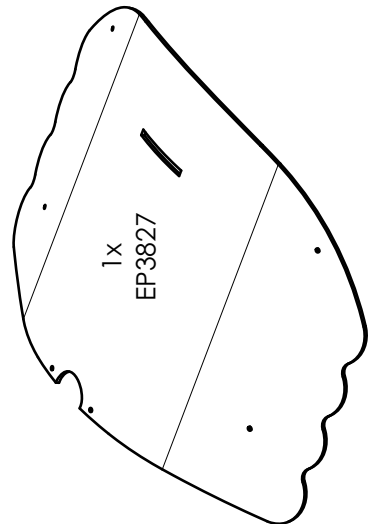
2x  
ET3832



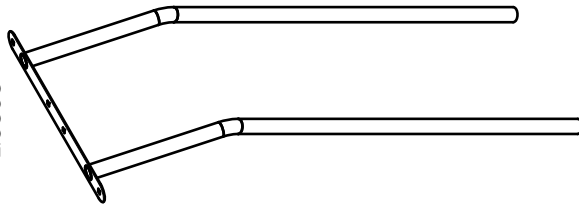
1x  
FT3833



1x  
EP3827



2x  
LI3858



1x  
LG4412



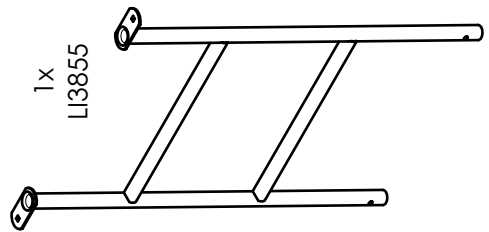
1x  
MI025N



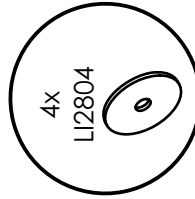
4x  
MI4700



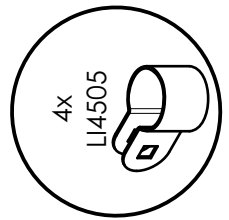
1x  
LI3855



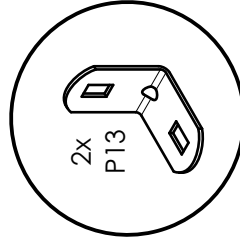
4x  
LI2804



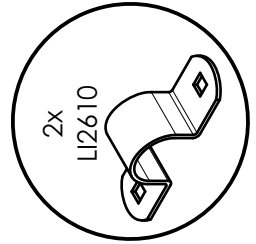
4x  
LI4505



2x  
P13

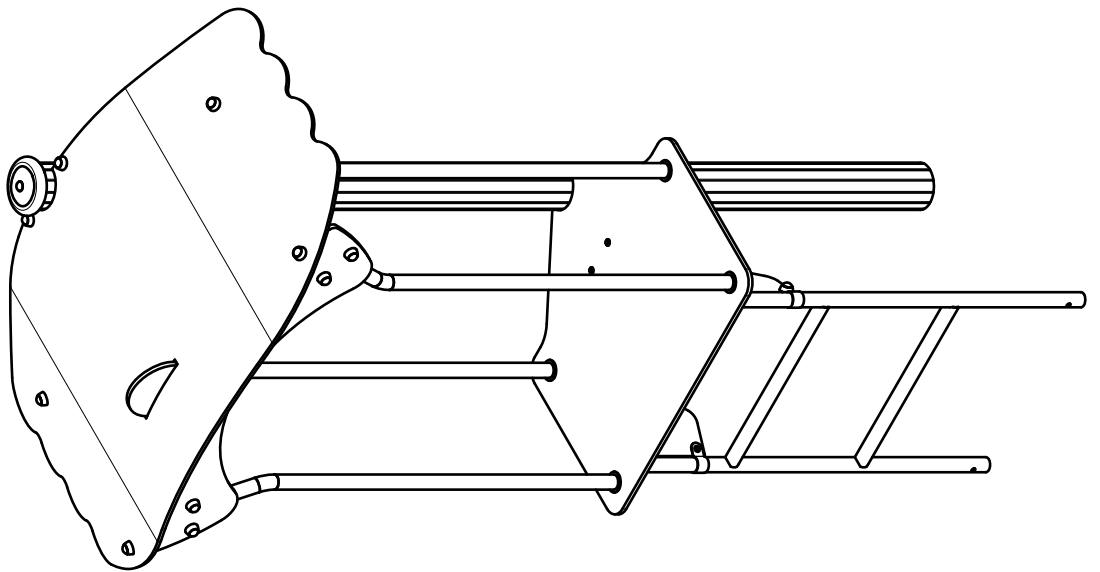
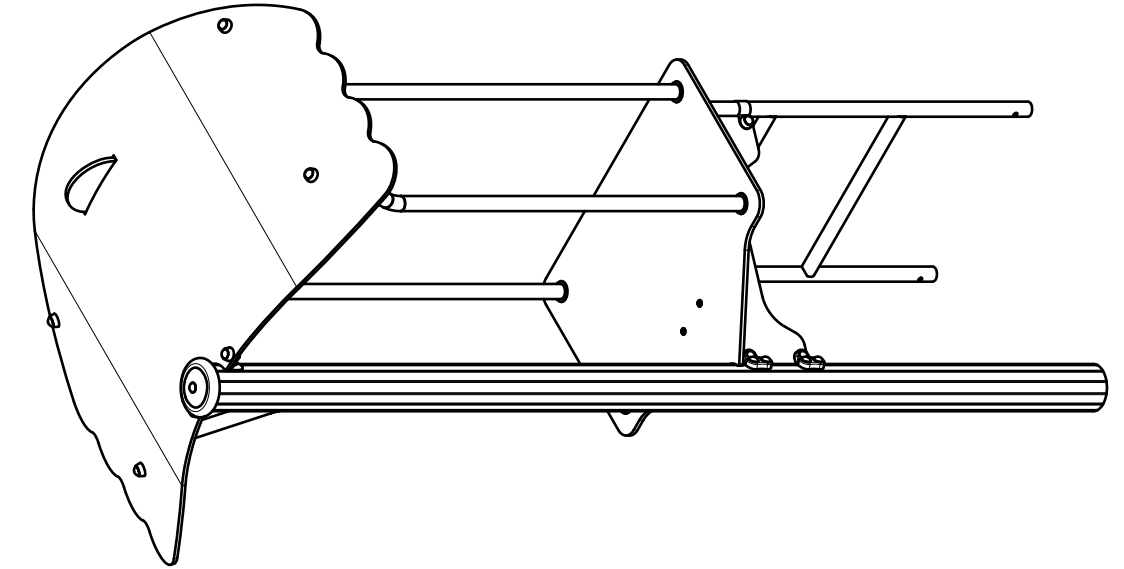


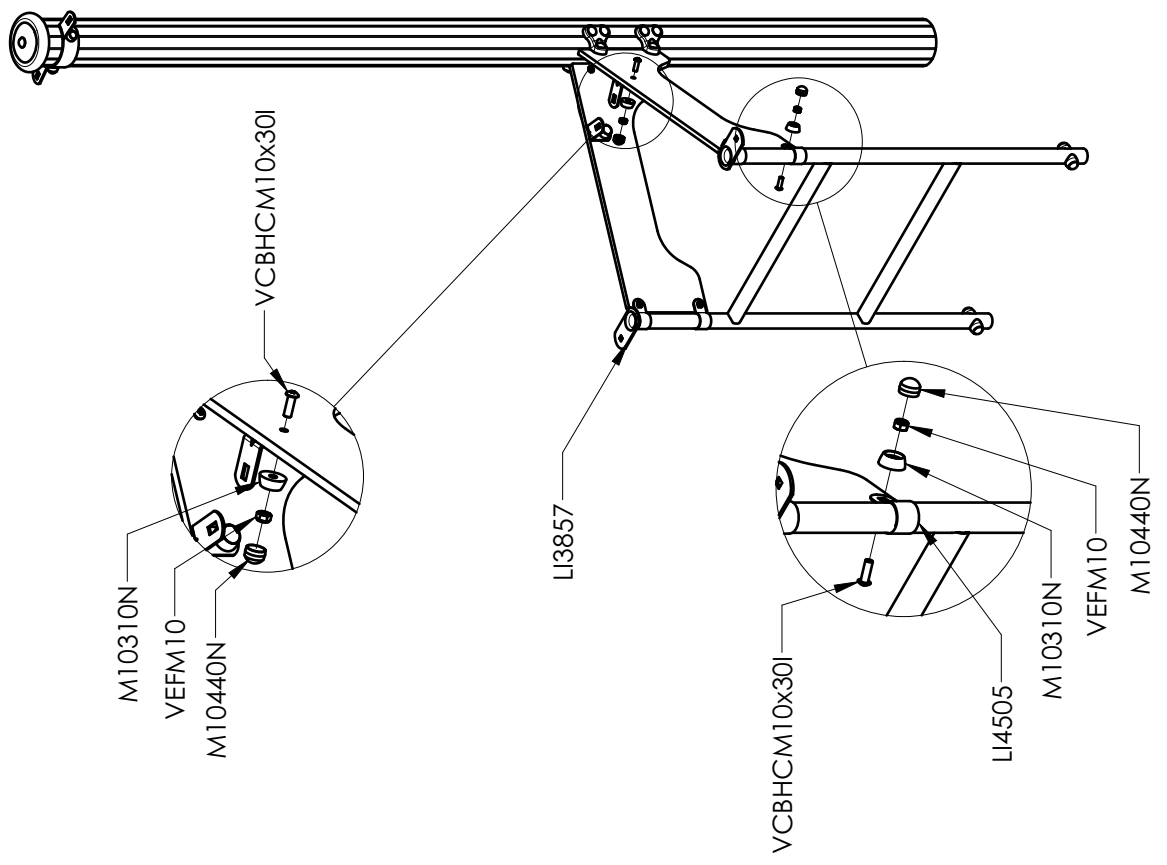
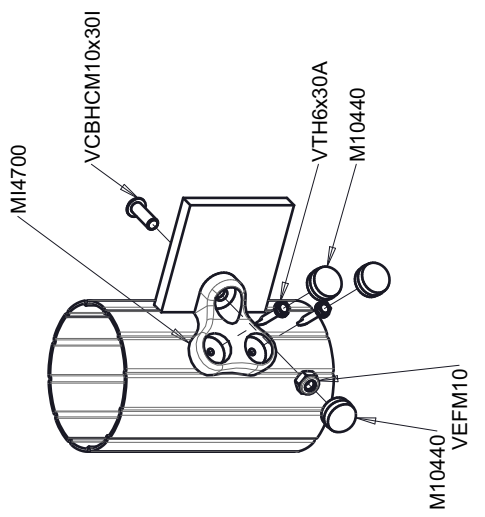
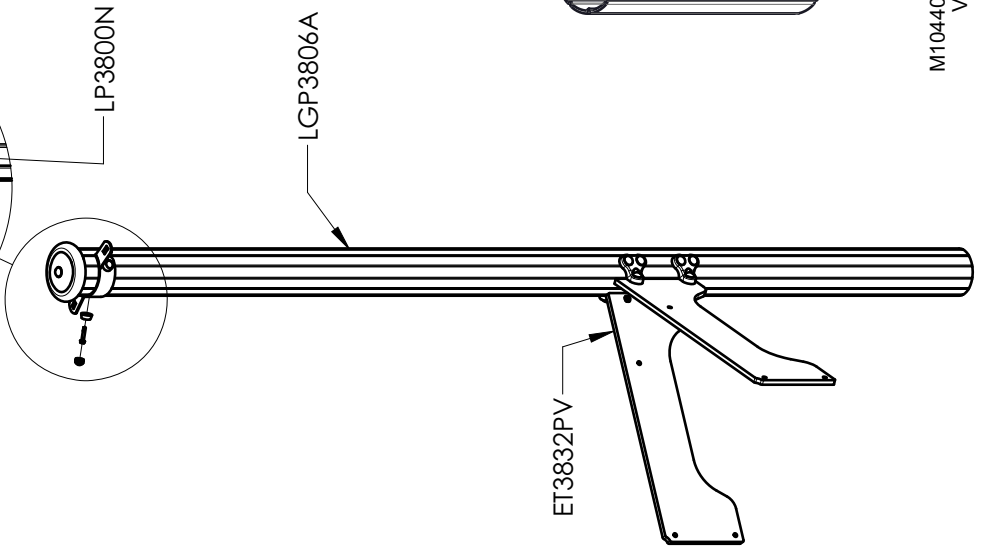
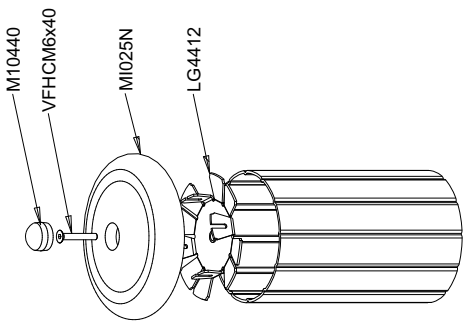
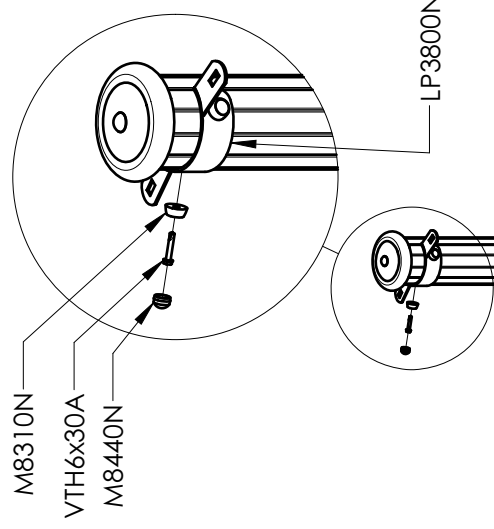
2x  
LI2610

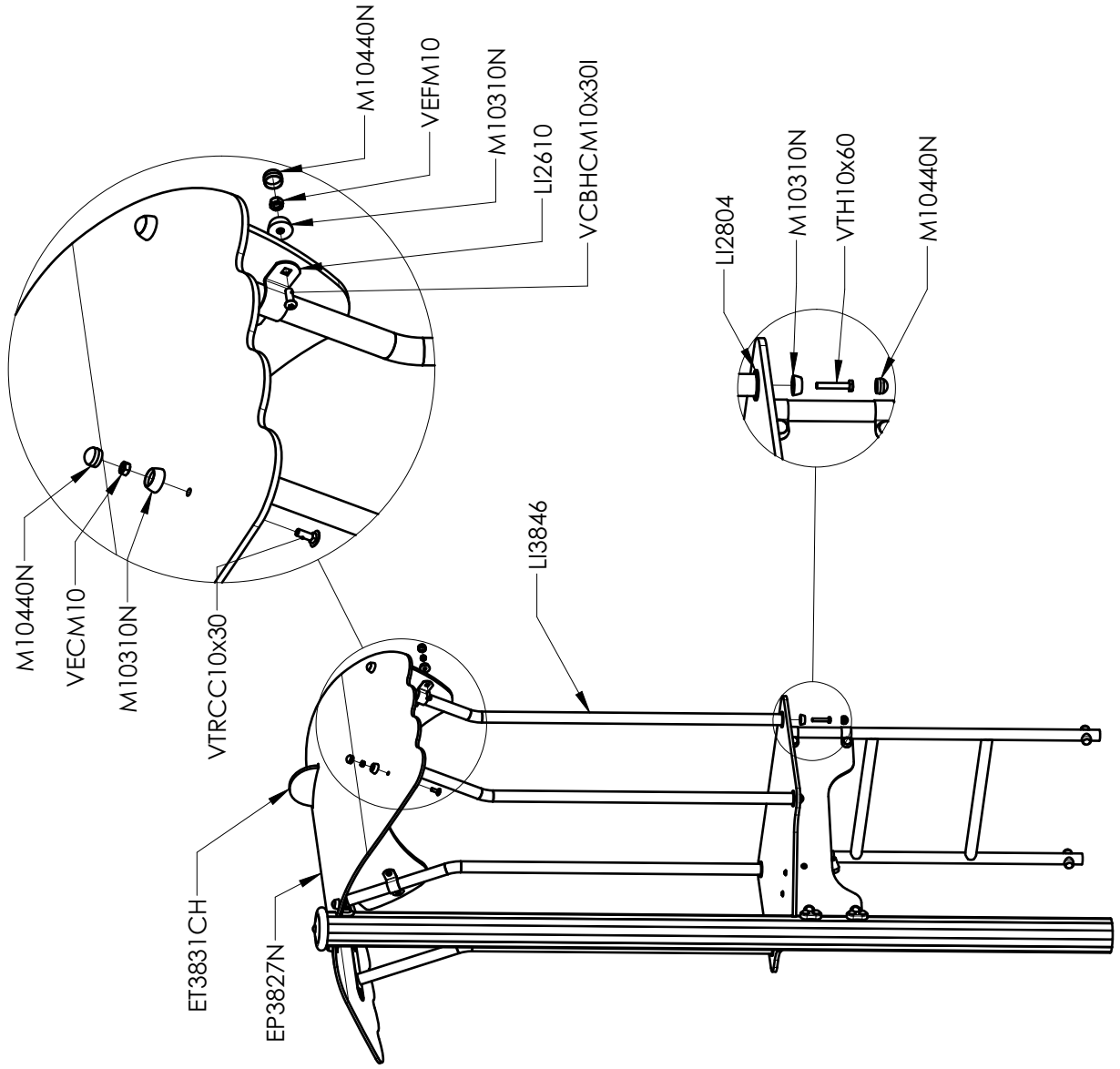
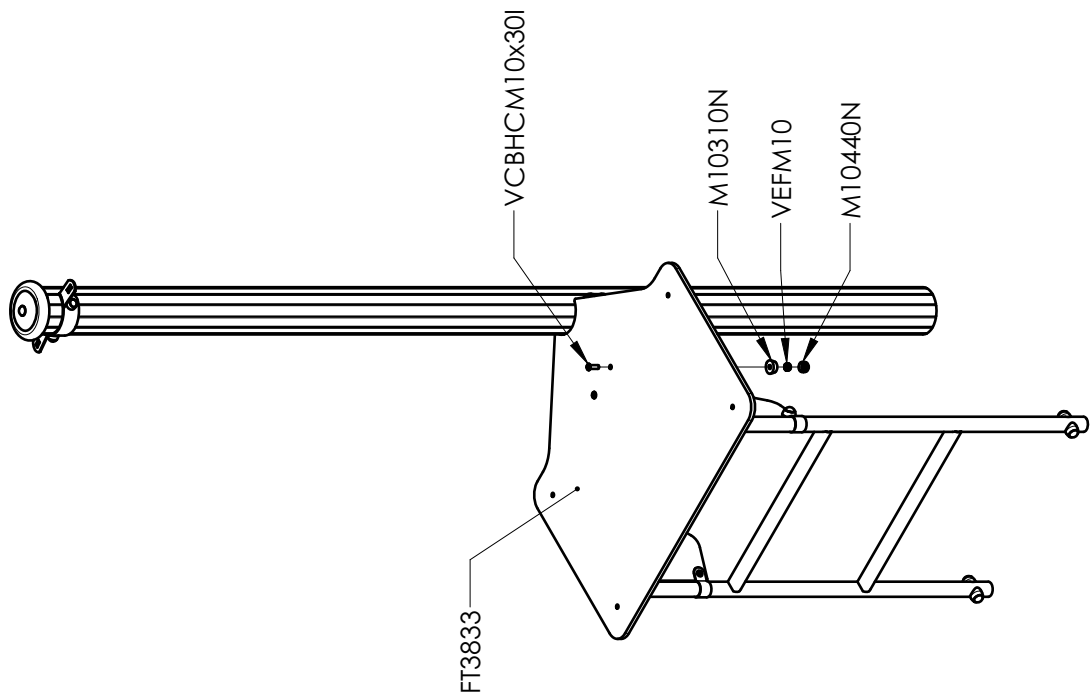


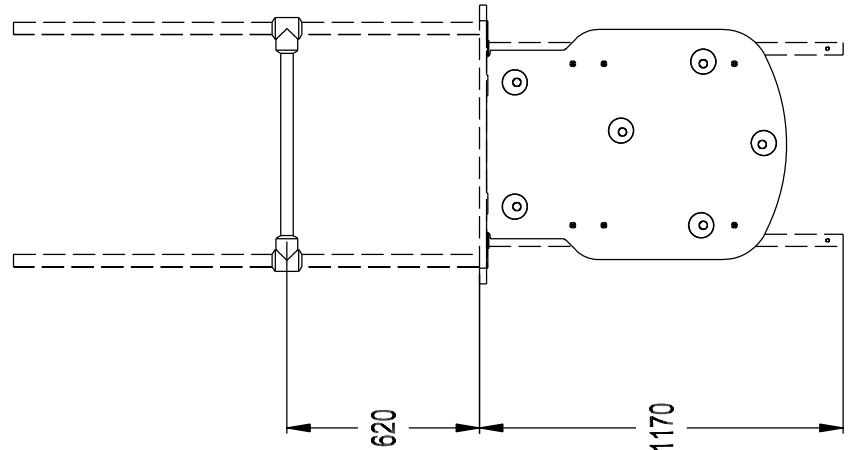
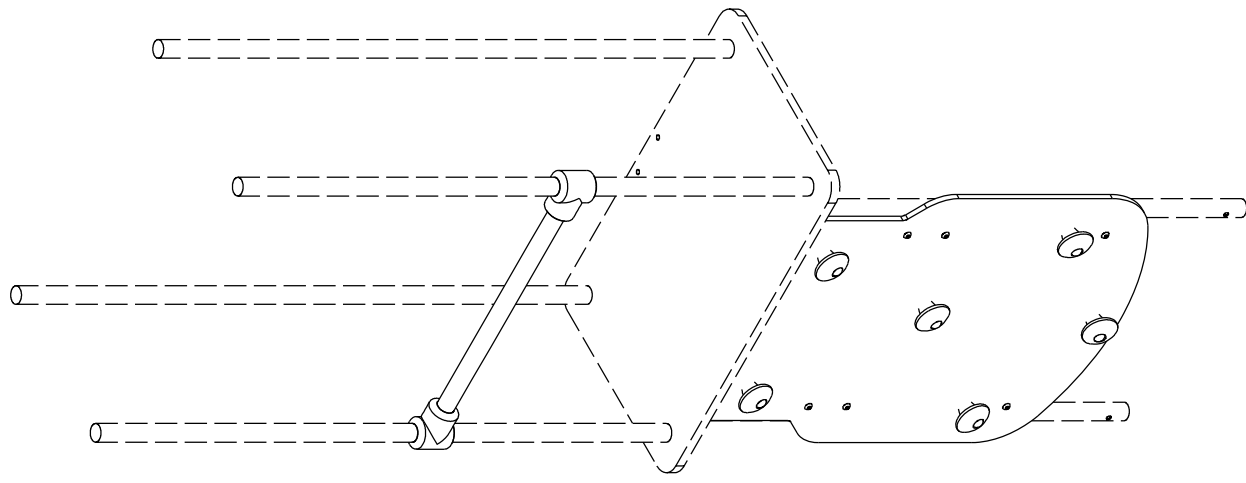
REF	QTE
EP3827N	1
ET3831CH	1
ET3832PV	2
FT3833	1
LG4412	1
LGP3806A	1
LI2610	2
LI2804	4
LI3855	1
LI3858	2
LI4505	4
LP3800N	1
M8310N	2
M8440N	2
M10310N	22
M10440N	35
MI025N	1
MI4700	4
P13	2
VCBHC10x30I	16
VECM10	6
VEFM10	16
VFHCM6x40	1
VTH6x30A	10
VTH10x60	4
VTRCC10x30	6



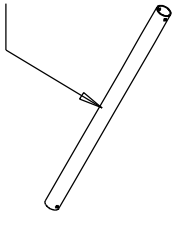




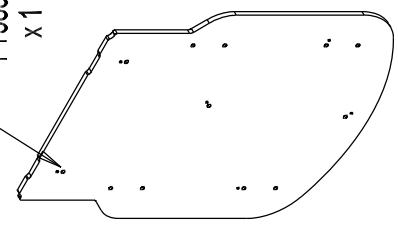




LI3740  
x1



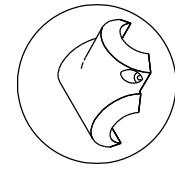
FT3838  
x1



MI3800VX x2  
MI3800J x2  
MI3800O x2

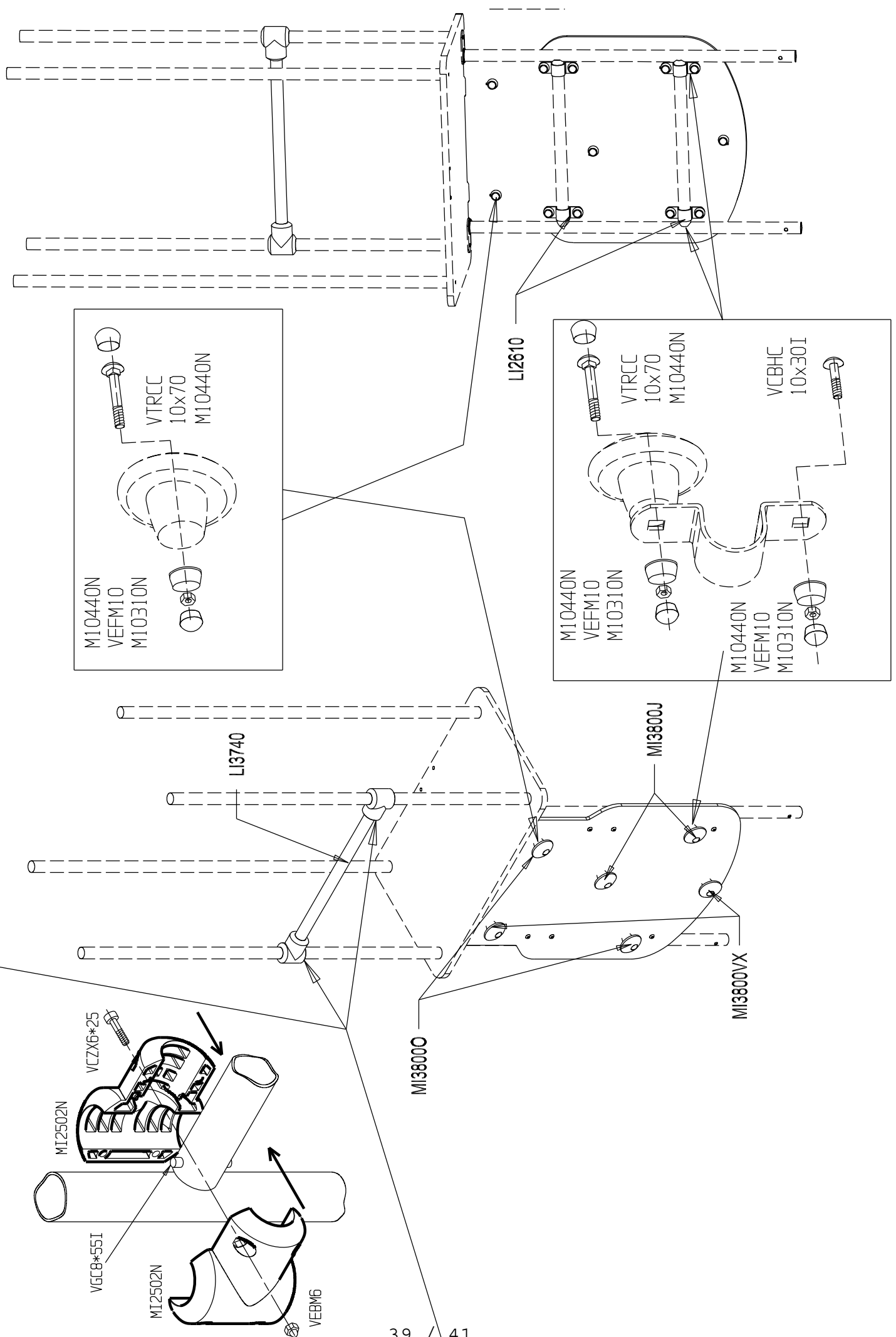


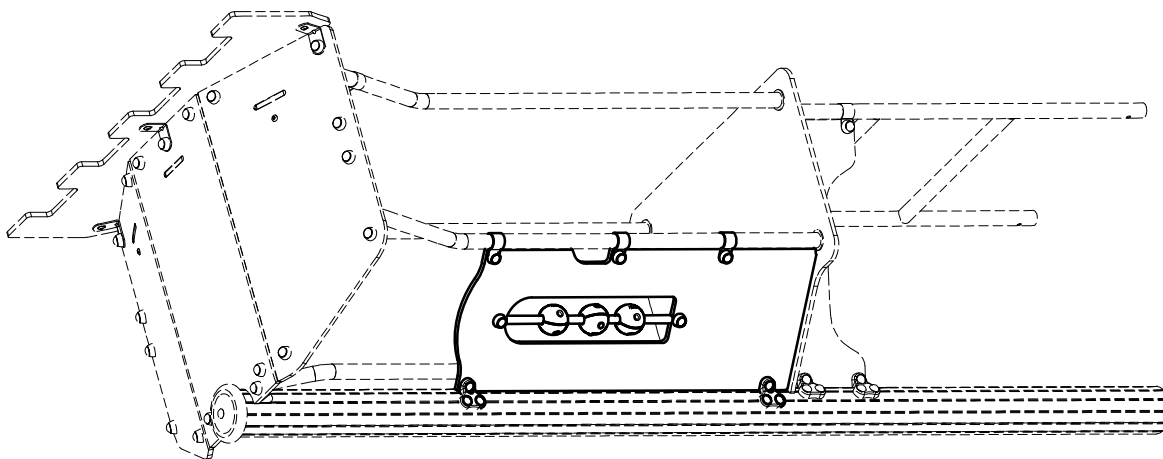
LI2610  
x4



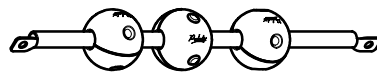
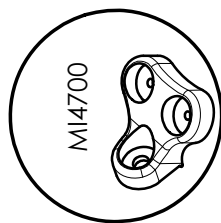
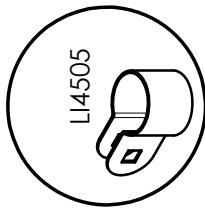
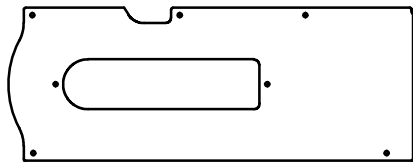
MI2502N x4

	VCZX 6x25	8
	VEBM6	8
	VCBHCM10*30I	6
	VTRCC10x70	6
	M10310N	12
	M10440N	18
	VEFM10	12





ET3837



U38109

Réf	Qté
ET3837L	1
LI4505	3
M10310N	5
M10440N	11
MI4700	2
U38109	1
VCBHC M10x30I	7
VEFM10	7
VTH6x30A	4



