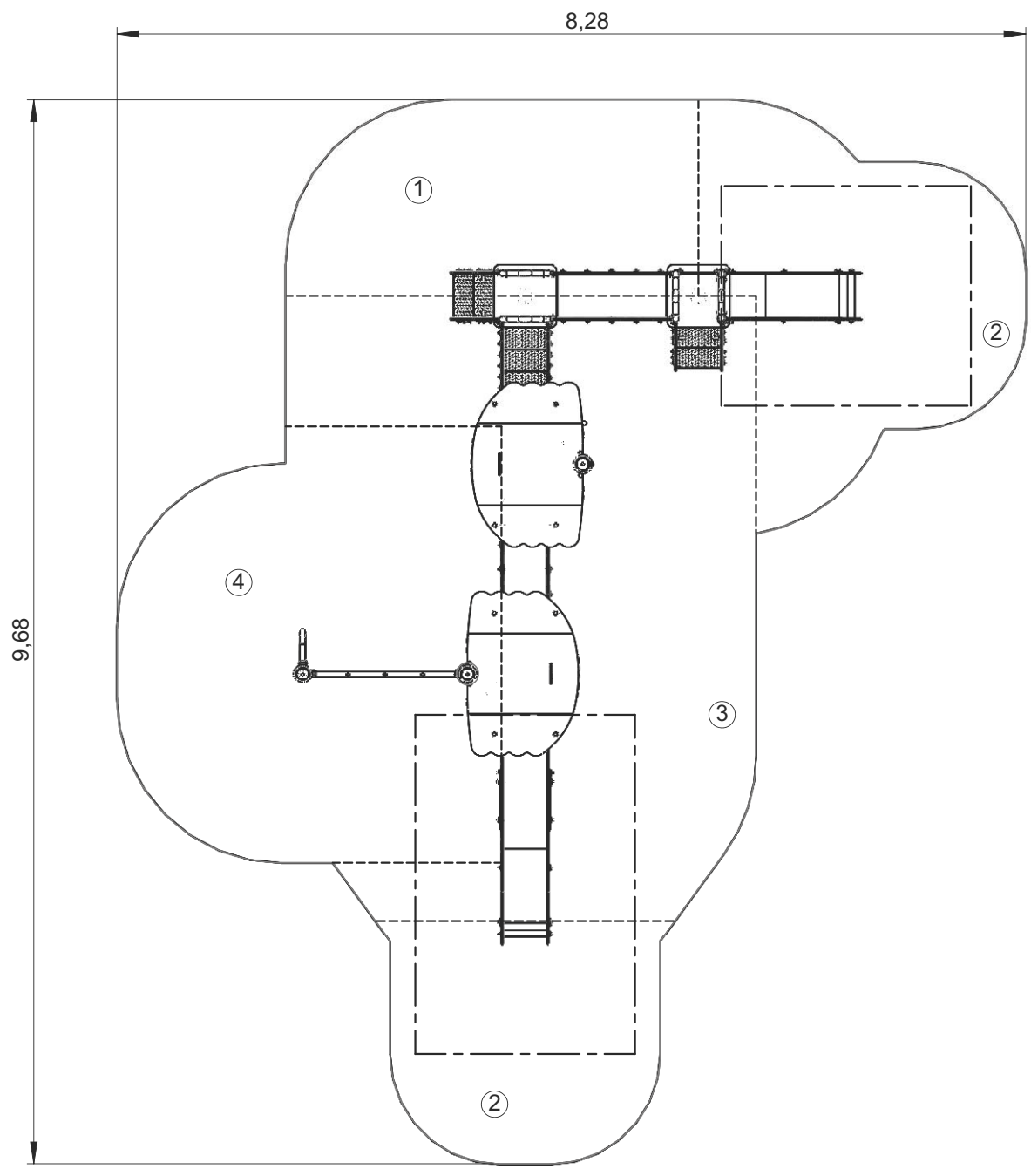
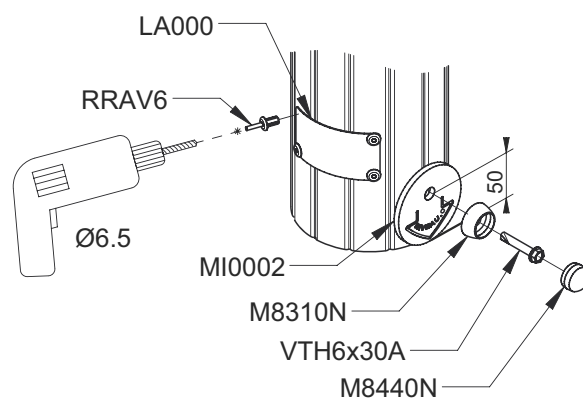
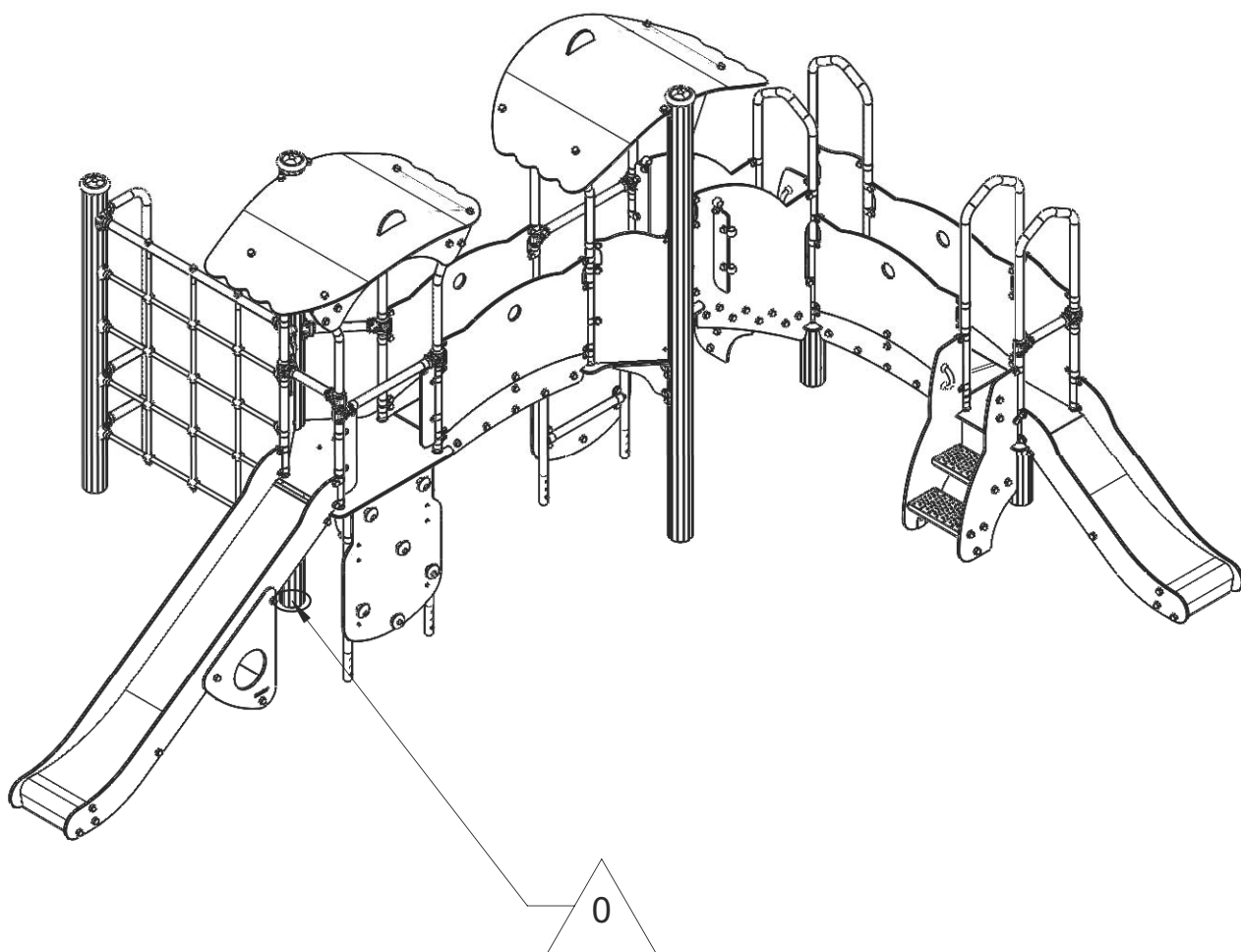


| N° | | m ² |
|----|--------|---------------------|
| 1 | 0.6 m | 6.5 m ² |
| 2 | 1 m | 13 m ² |
| 3 | 1.17 m | 16 m ² |
| 4 | 1.8 m | 12.5 m ² |

- Zone d'impact
Impact area
Area de impacto
Fallraum
Valzone
- - - Espace libre
Free space
Espacio libre
Freiraum
Vrije ruimte

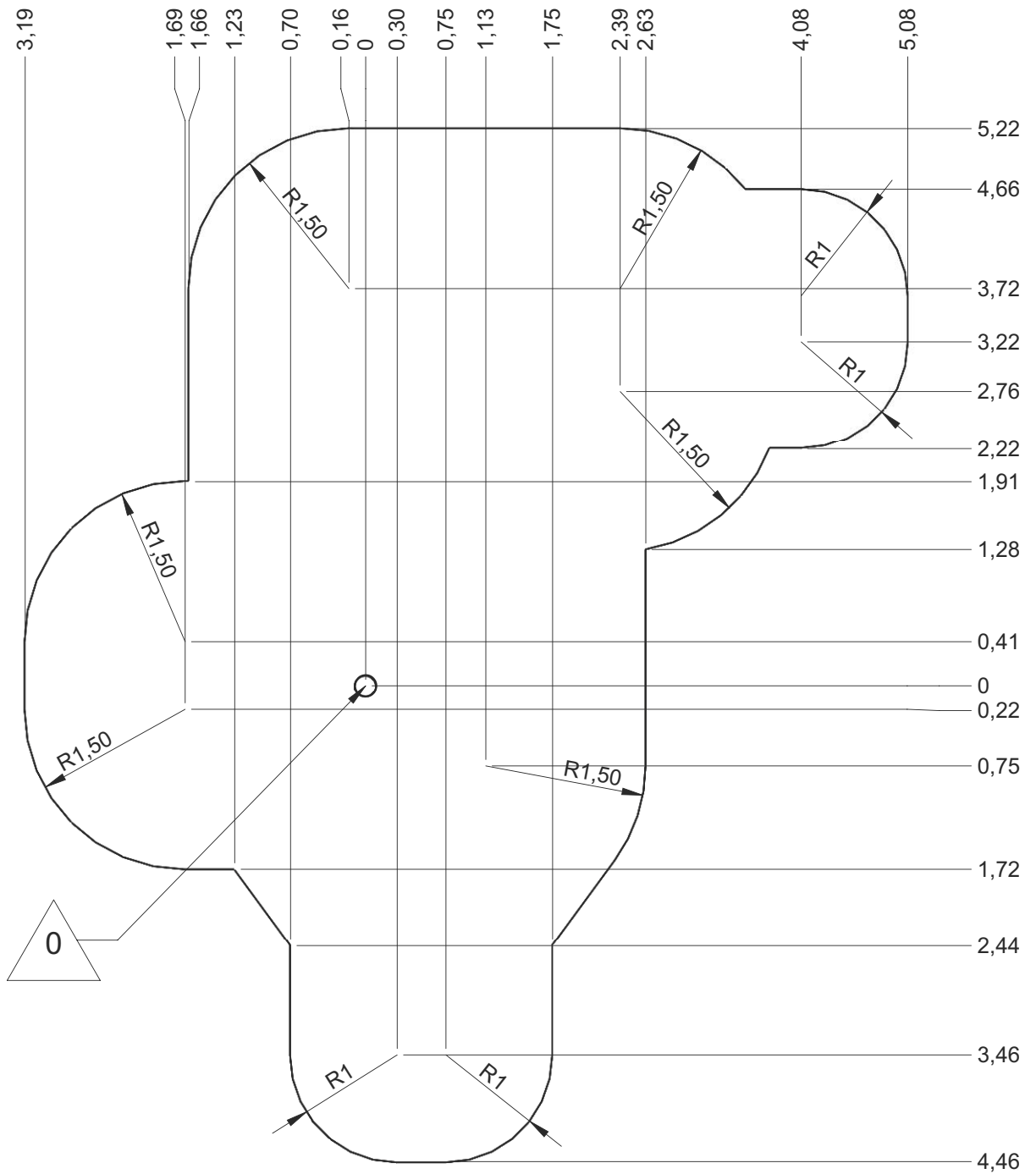
- Point de référence
Setting out point
Punto de referencia
Bezugspunkt
Referentiepunt





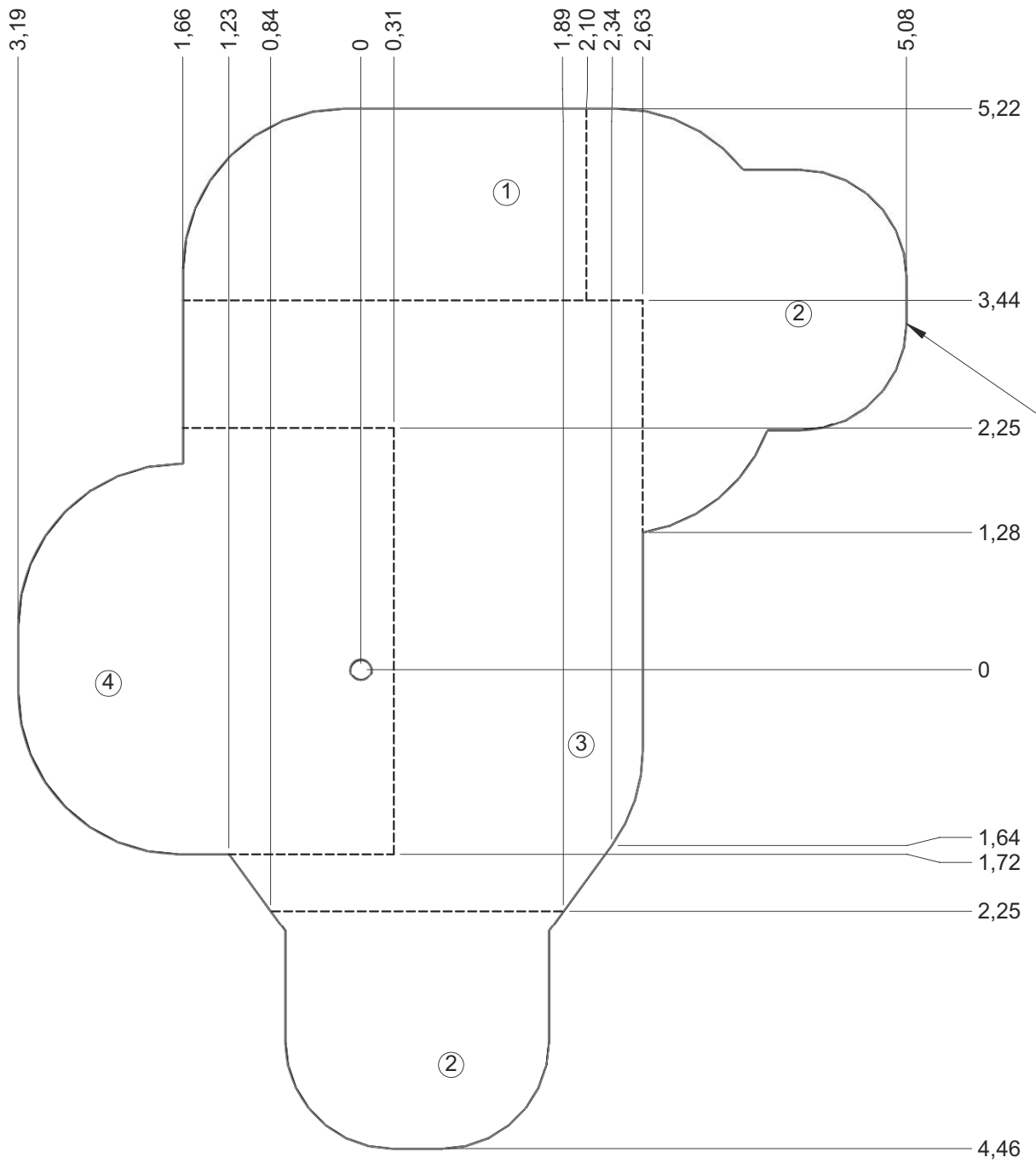
— Zone d'impact
 Impact area
 Area de impacto
 Fallraum
 Valzone

50 m²



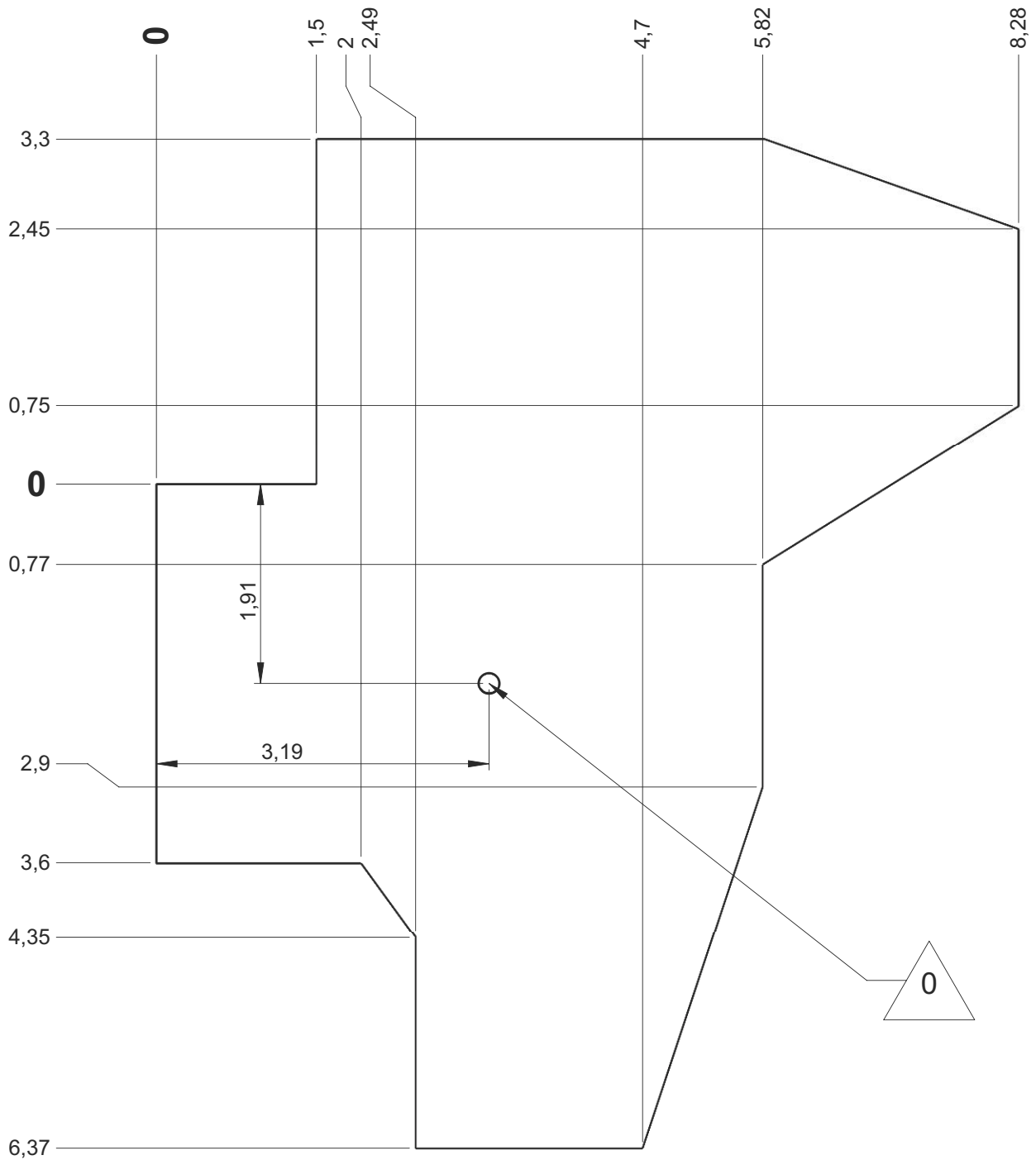
— Sol souple
 — Wetpour
 — Caucho continuo
 — Synthetischer fallschutz
 — Gietvloer

50 m²

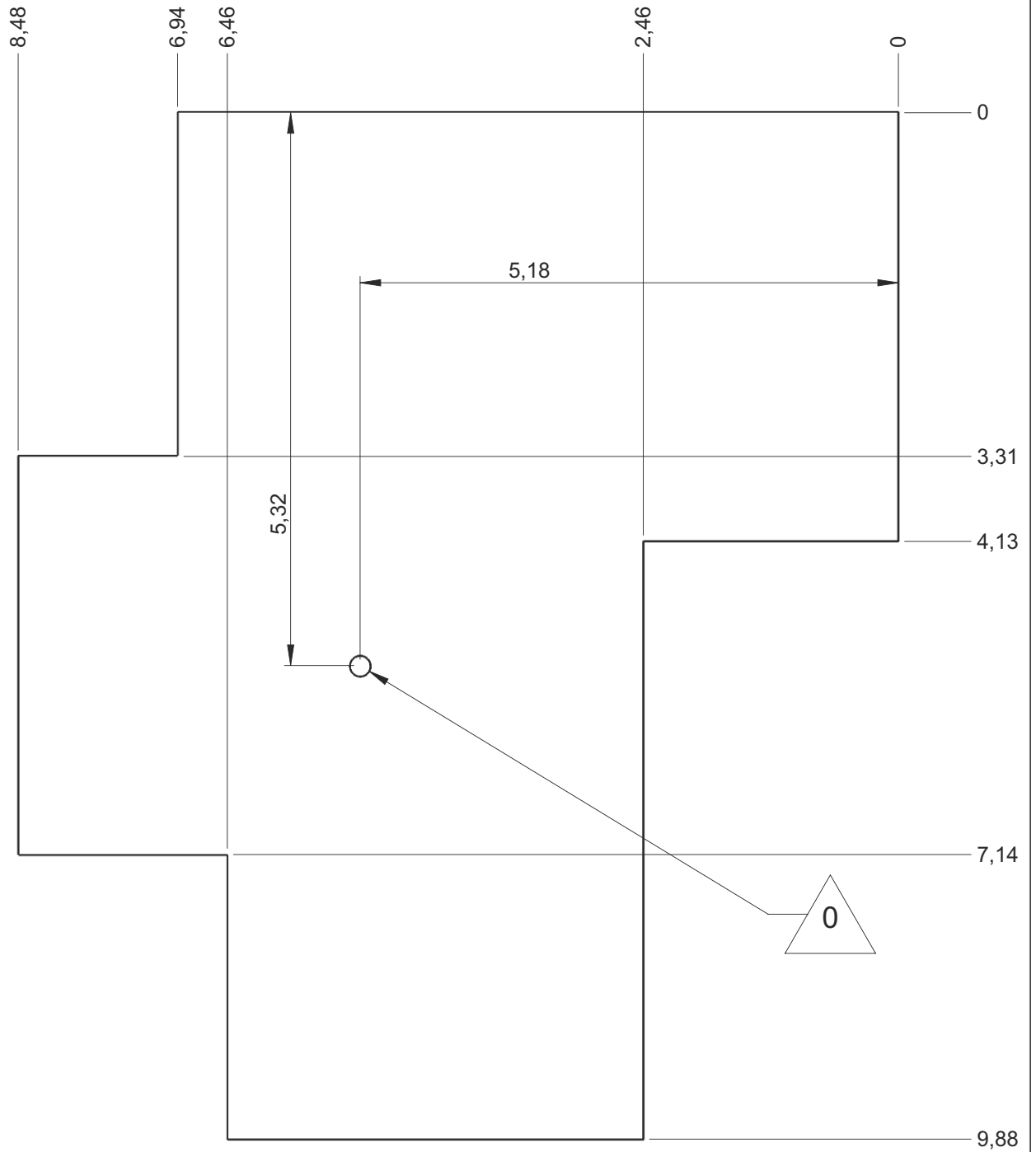


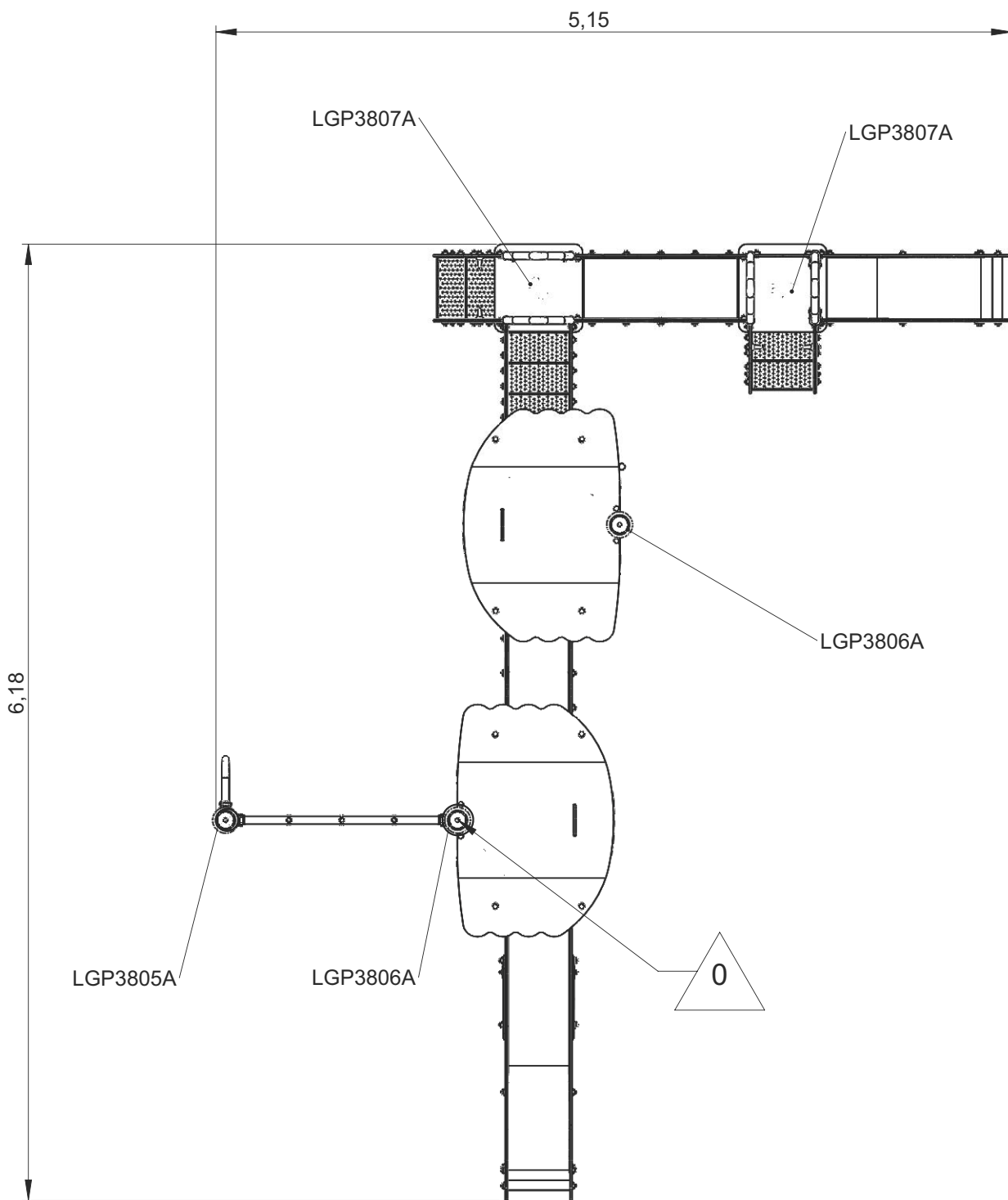
— Dalle béton
 Concrete pad
 Solera de hormigon
 Beton bodenplatte
 Betonnen bodemplaat

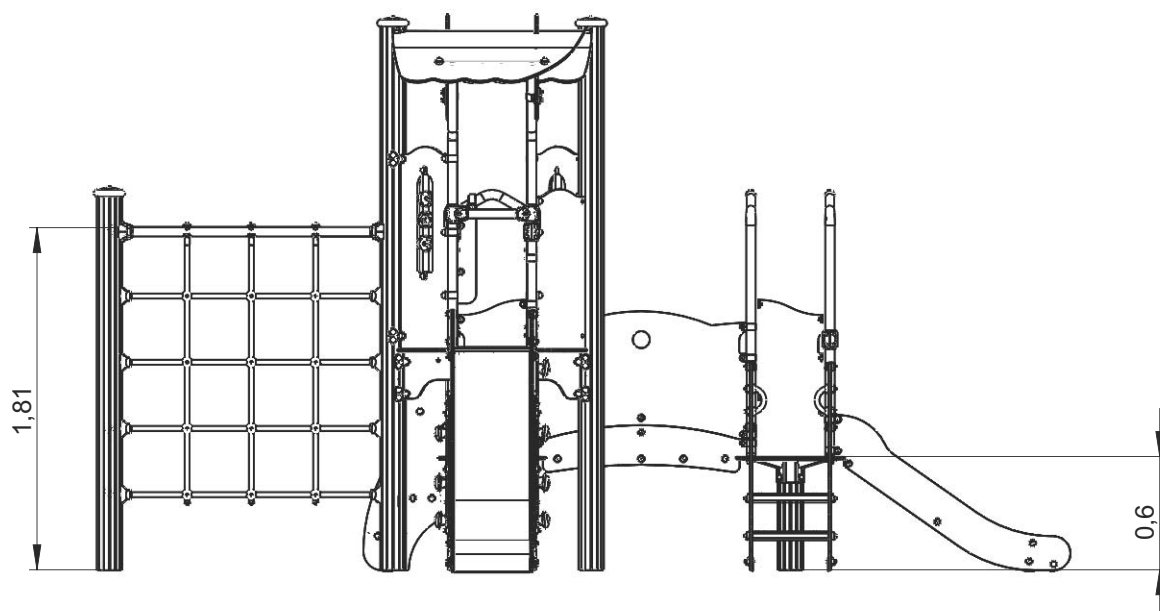
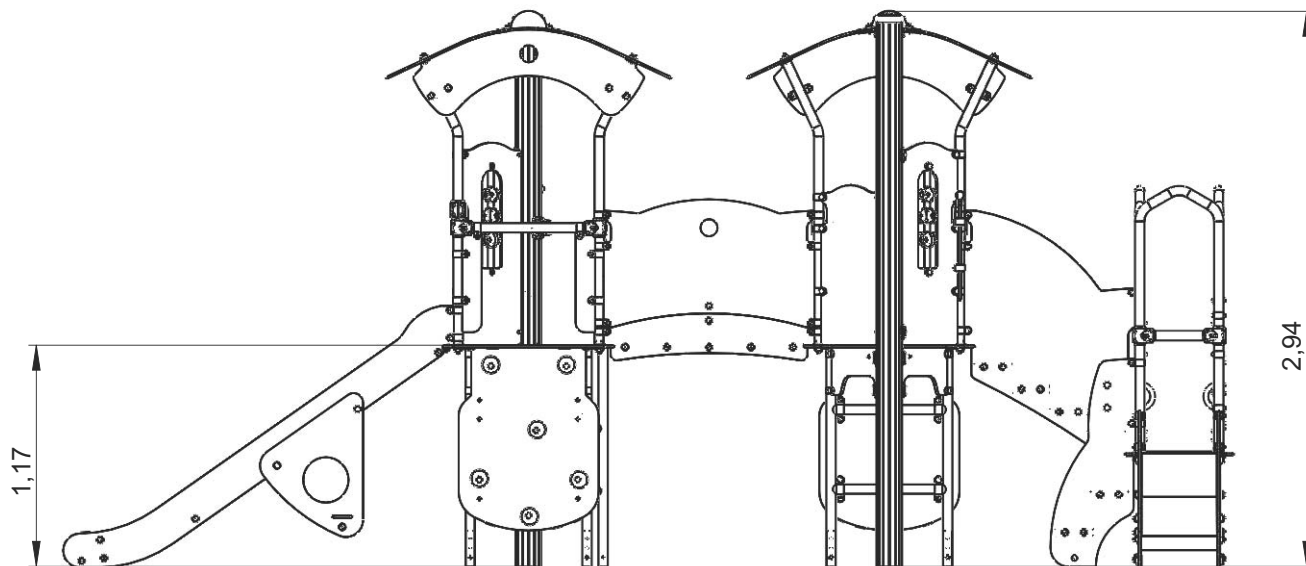
35 m
50 m²



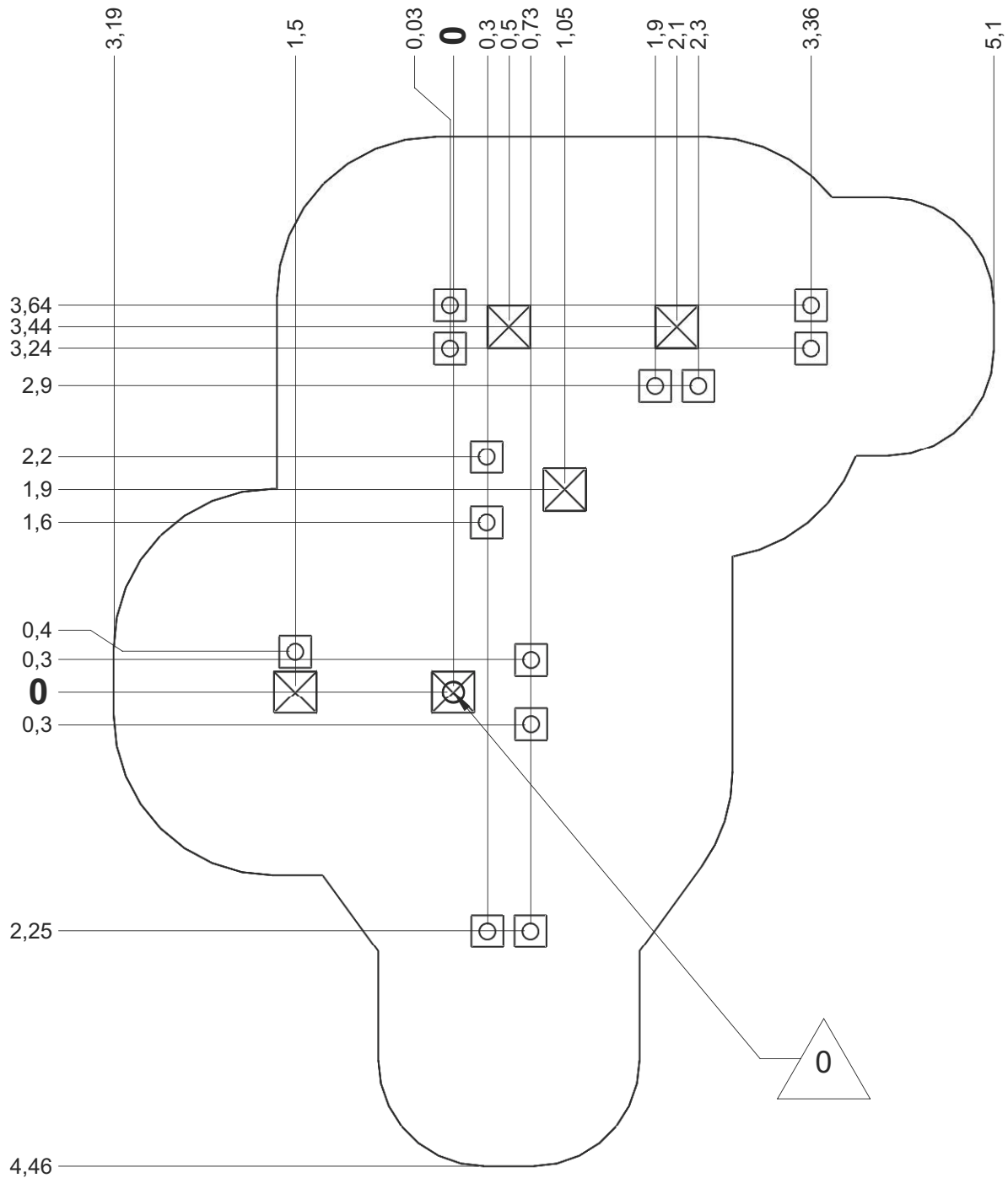
— Sol fluent
 Loos partucule material **39 m**
 Arenero
 Loses Bodenmaterial **59 m²**
 Los bodemmateriala



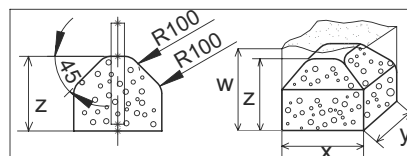







Implantation
 Footing plan
 Implantación
 Fundomentplan
 Funderingstekening

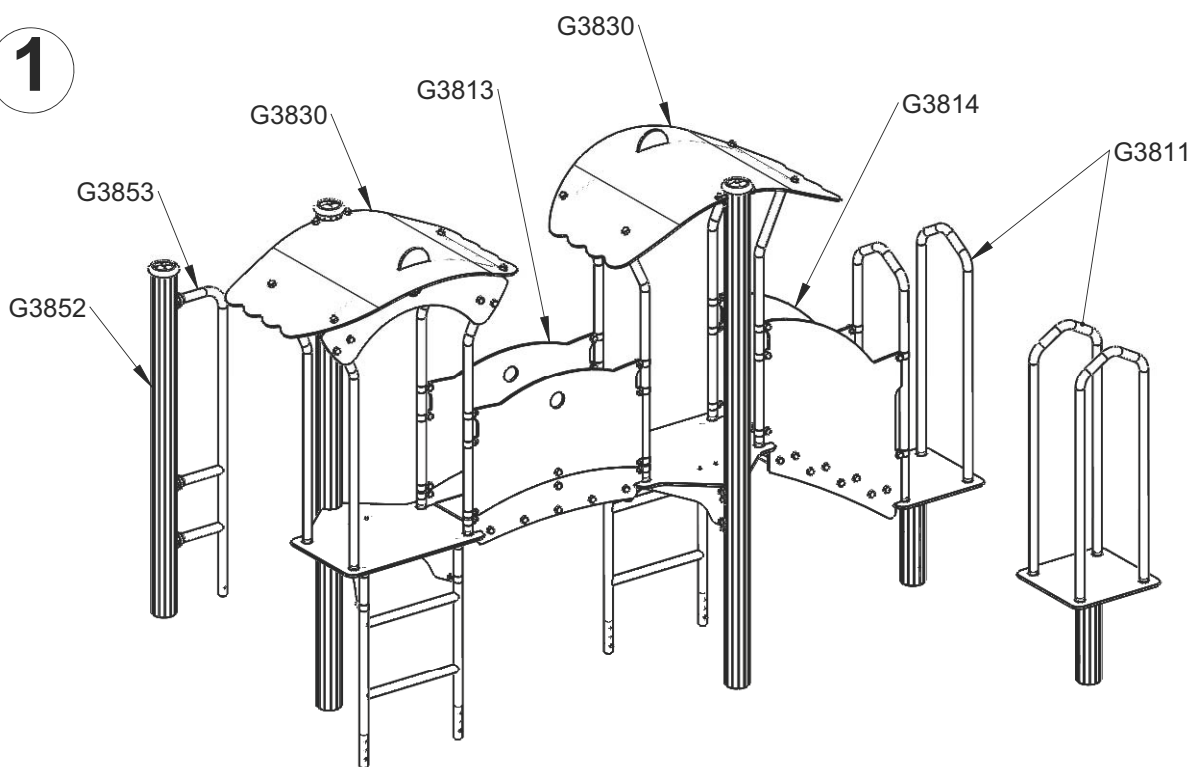


 x2
  30H
  0.36 m³

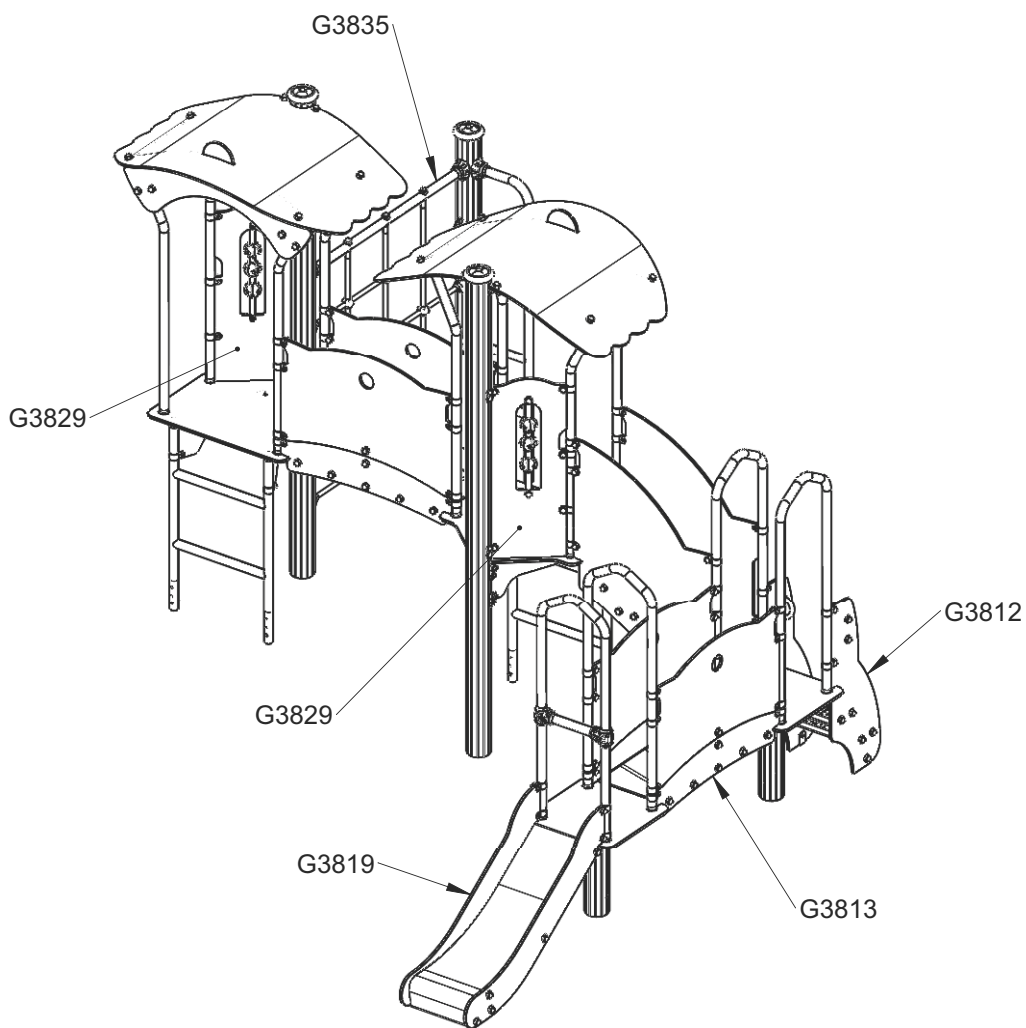


| | x | y | z | w |
|---|-----|-----|-----|-----|
|  | 0.3 | 0.3 | 0.3 | 0.6 |
|  | 0.4 | 0.4 | 0.3 | 0.6 |
|  | 0.6 | 0.3 | 0.3 | 0.6 |

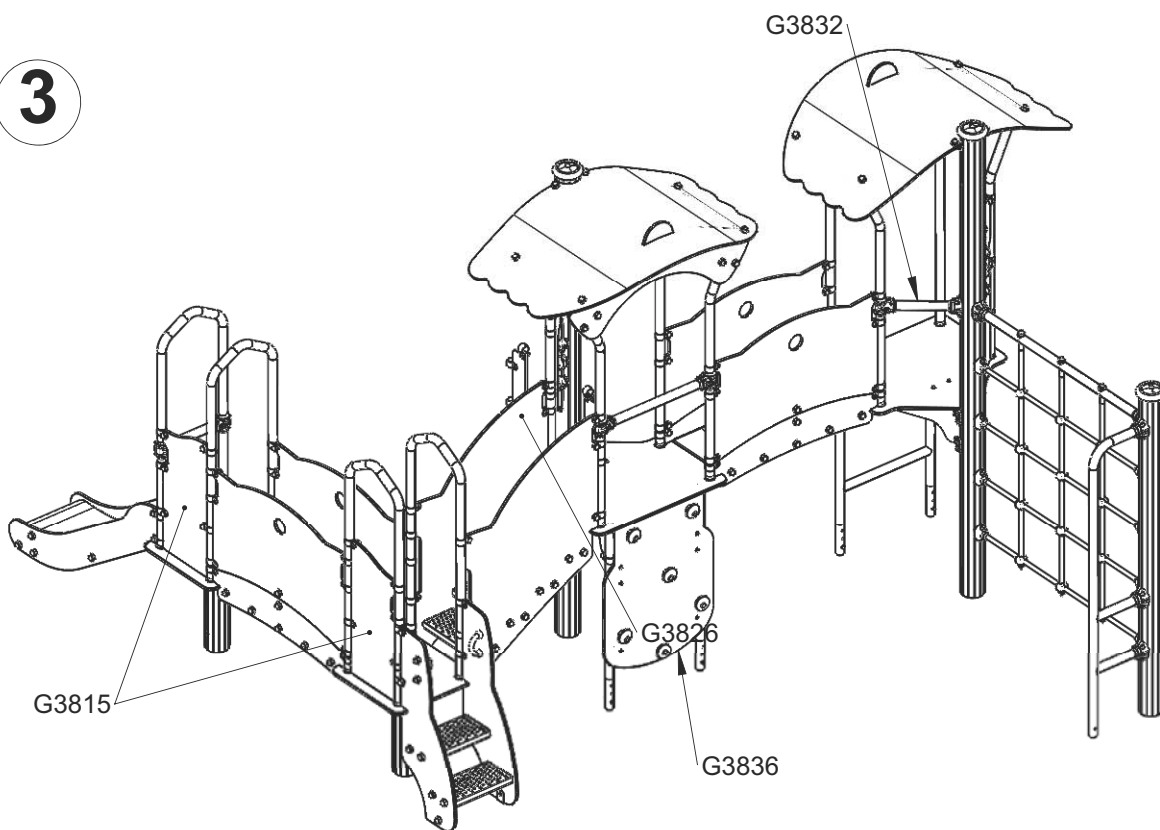
1



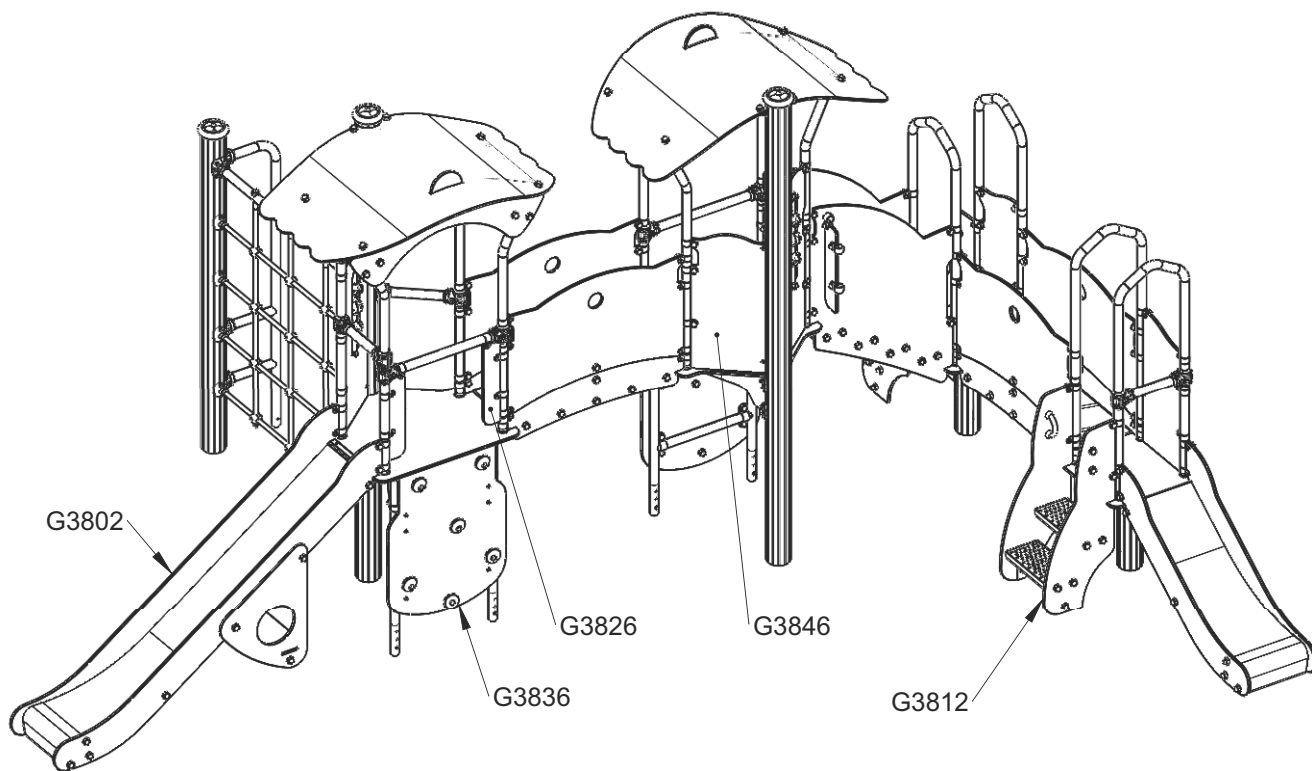
2

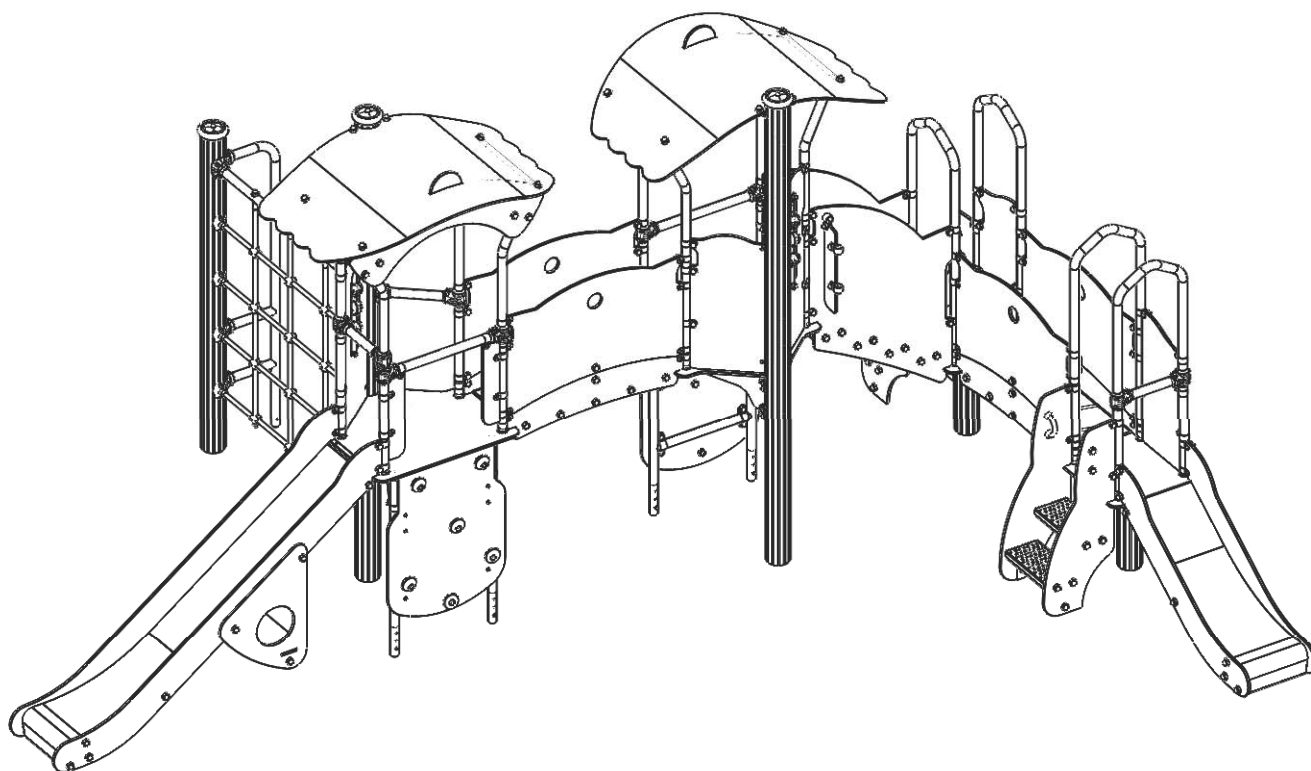


3

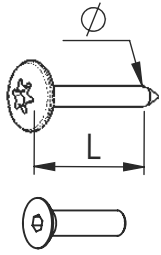


4



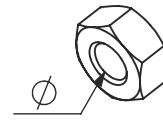


| Réf | Qté |
|-------|-----|
| G3802 | 1 |
| G3811 | 2 |
| G3812 | 2 |
| G3814 | 1 |
| G3815 | 2 |
| G3826 | 2 |
| G3829 | 2 |
| G3830 | 2 |
| G3846 | 1 |
| G3852 | 1 |
| G3813 | 2 |
| G3819 | 1 |
| G3832 | 1 |
| G3835 | 1 |
| G3836 | 2 |
| G3853 | 1 |



VBT 6 x 30
 \varnothing L (mm)

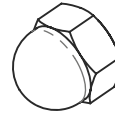
VFHC



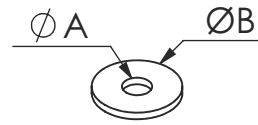
VEC M10
 \varnothing




VEF




VEB



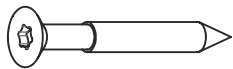
VR6x18
 $\varnothing A$ $\varnothing B$



1000 - 1800 tr/min
 Vitesse de rotation
 Rotation speed



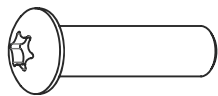
14 N.m
 Couple de rupture
 Torque of break



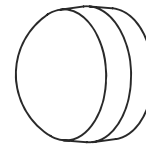
VWT



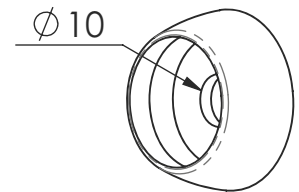
VGC



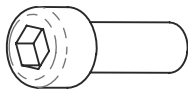
VCBHC



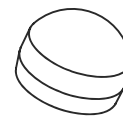
M10 440N



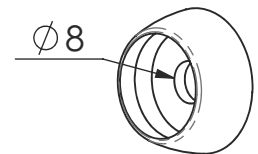
M10 310 N



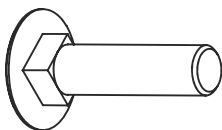
VBTR



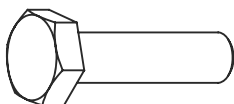
M8440N



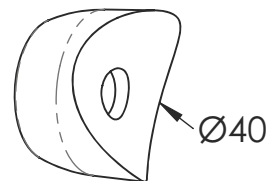
M8310N



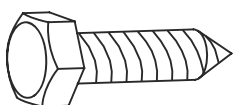
VTRCC



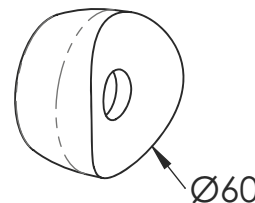
VTH



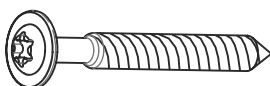
MI2503



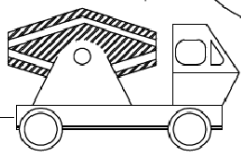
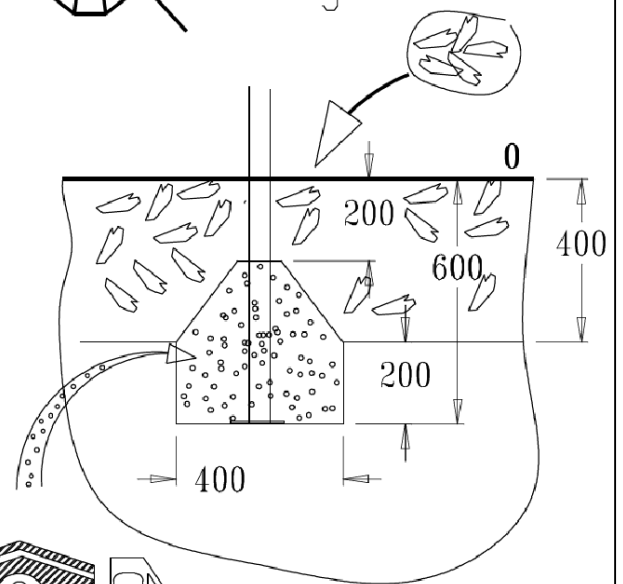
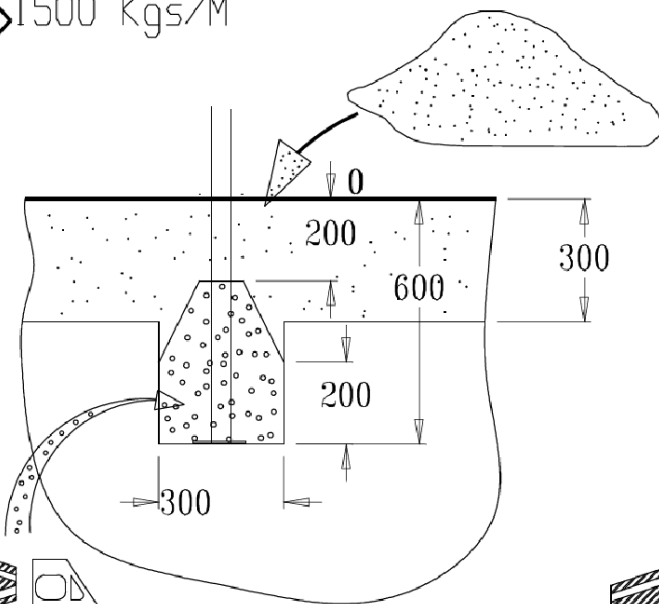
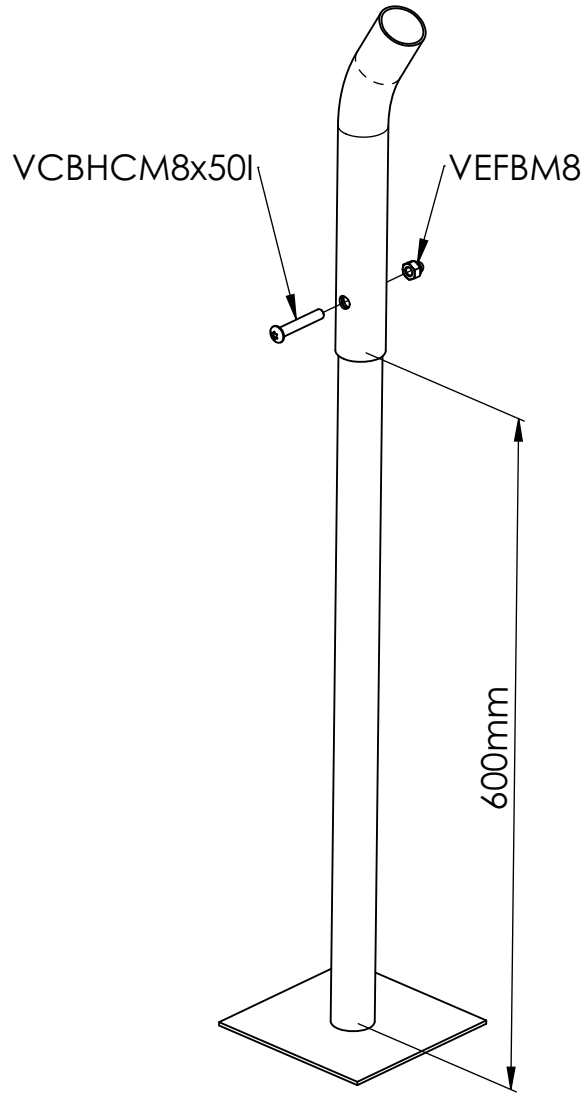
VTF



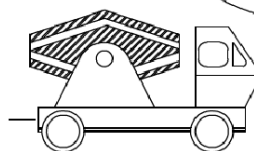
MI2701



VBT



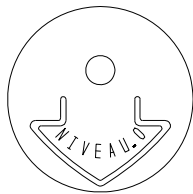
50 Kgs



90 Kgs

A

Proludic



MI0002

VCBHCM10

M10310N
VEFM10
M10440N

LG08

M10440N
VEFM10
MI2503

LG3802

M10440N
VTH10*80
MI2503

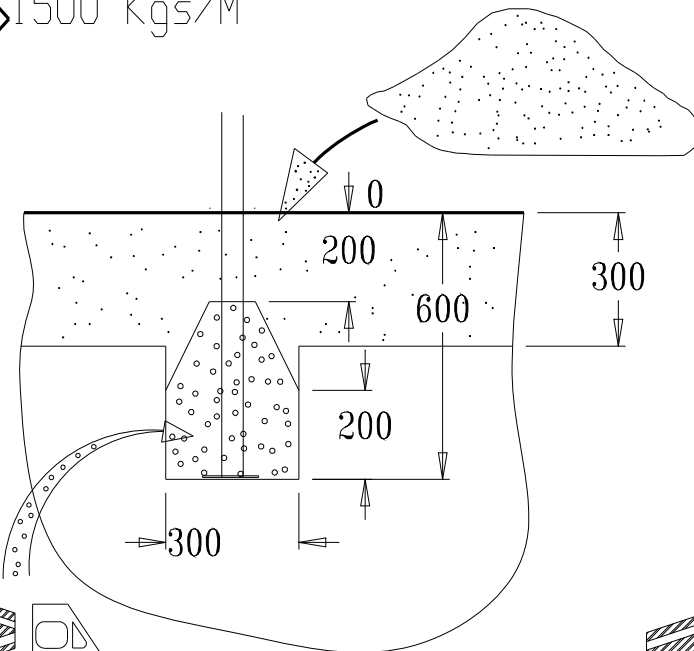
LG3804



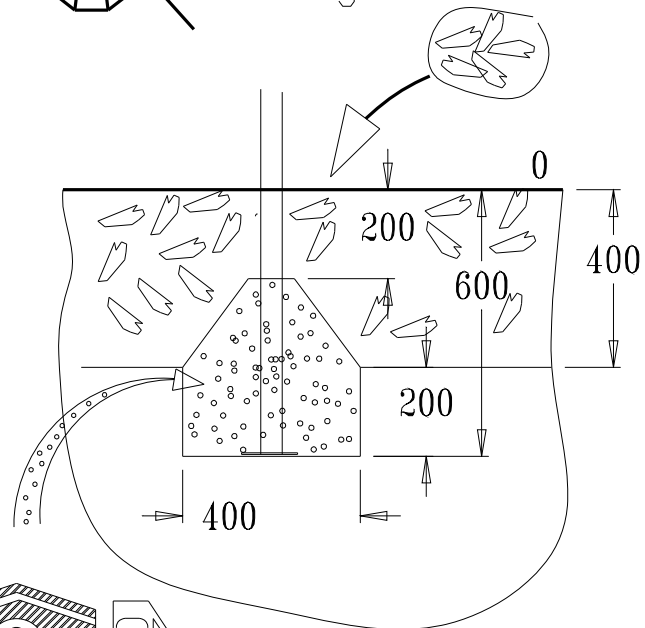
> 1500 Kgs/M³



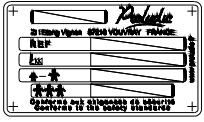
< 1500 Kgs/M³



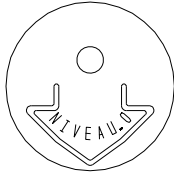
50 Kgs



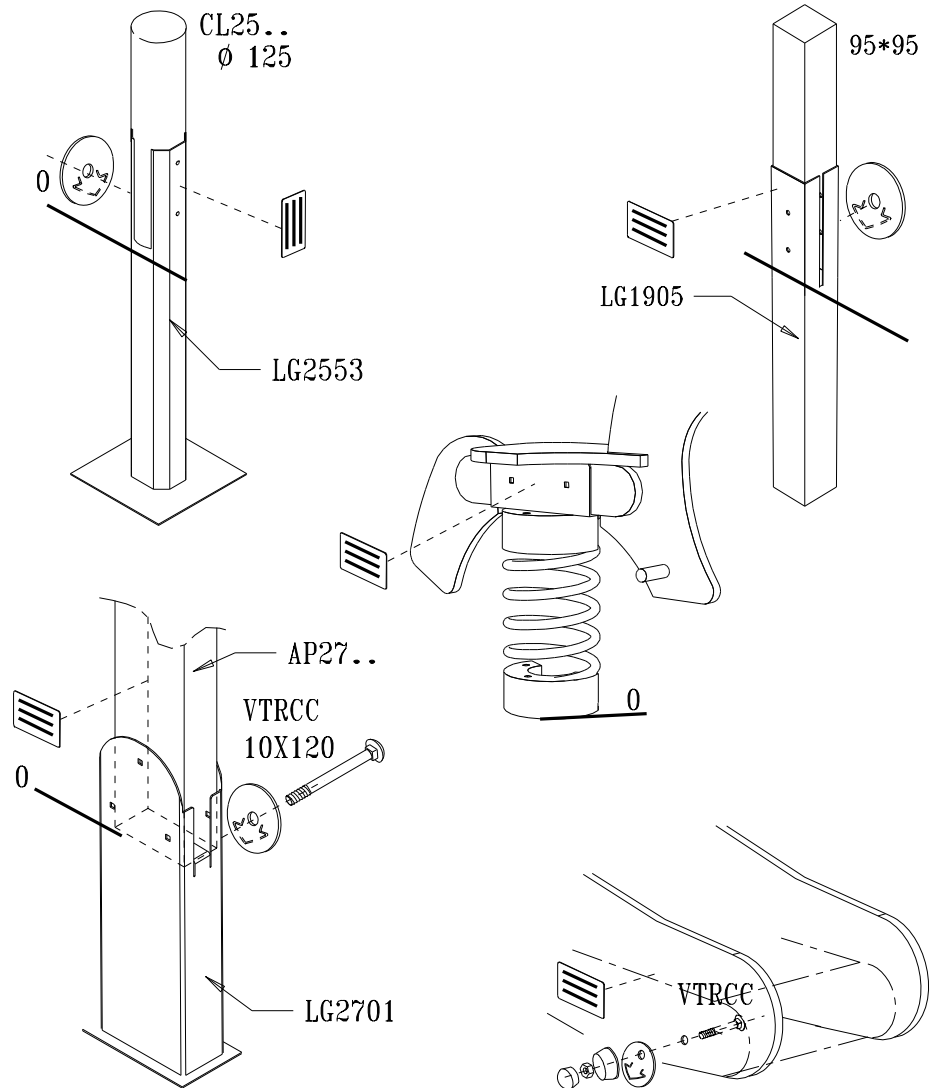
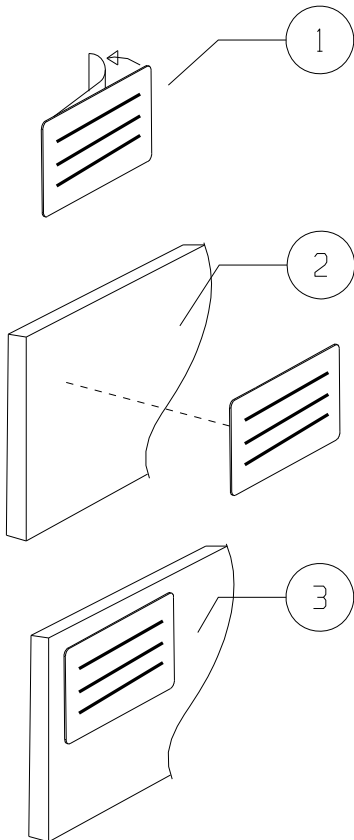
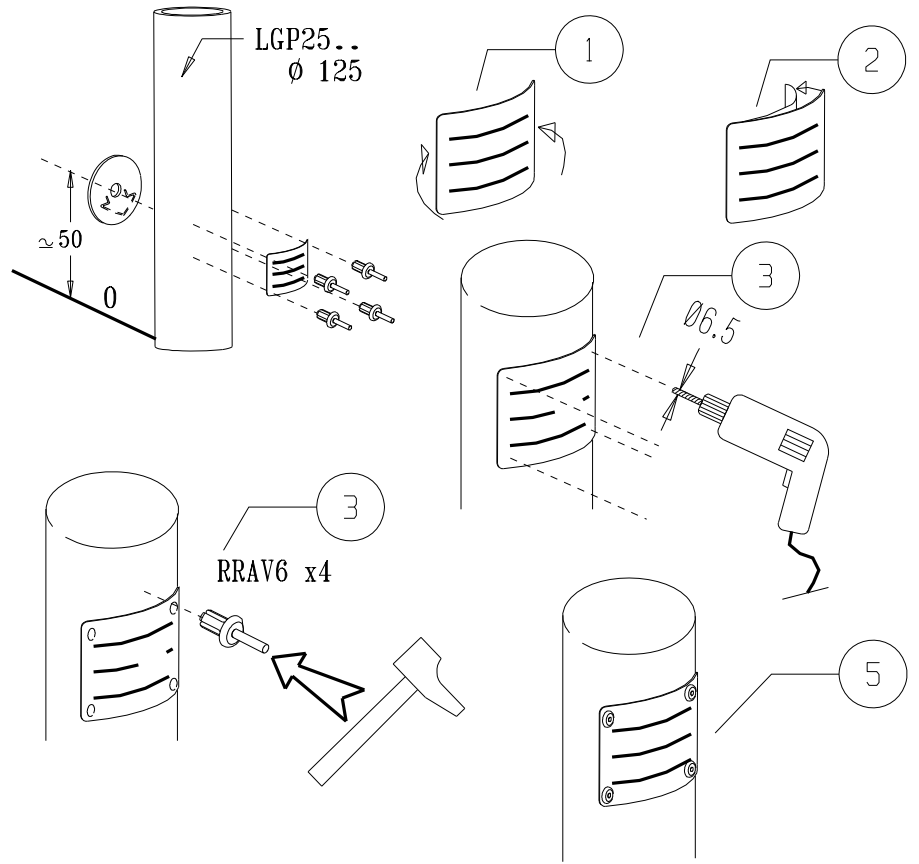
90 Kgs

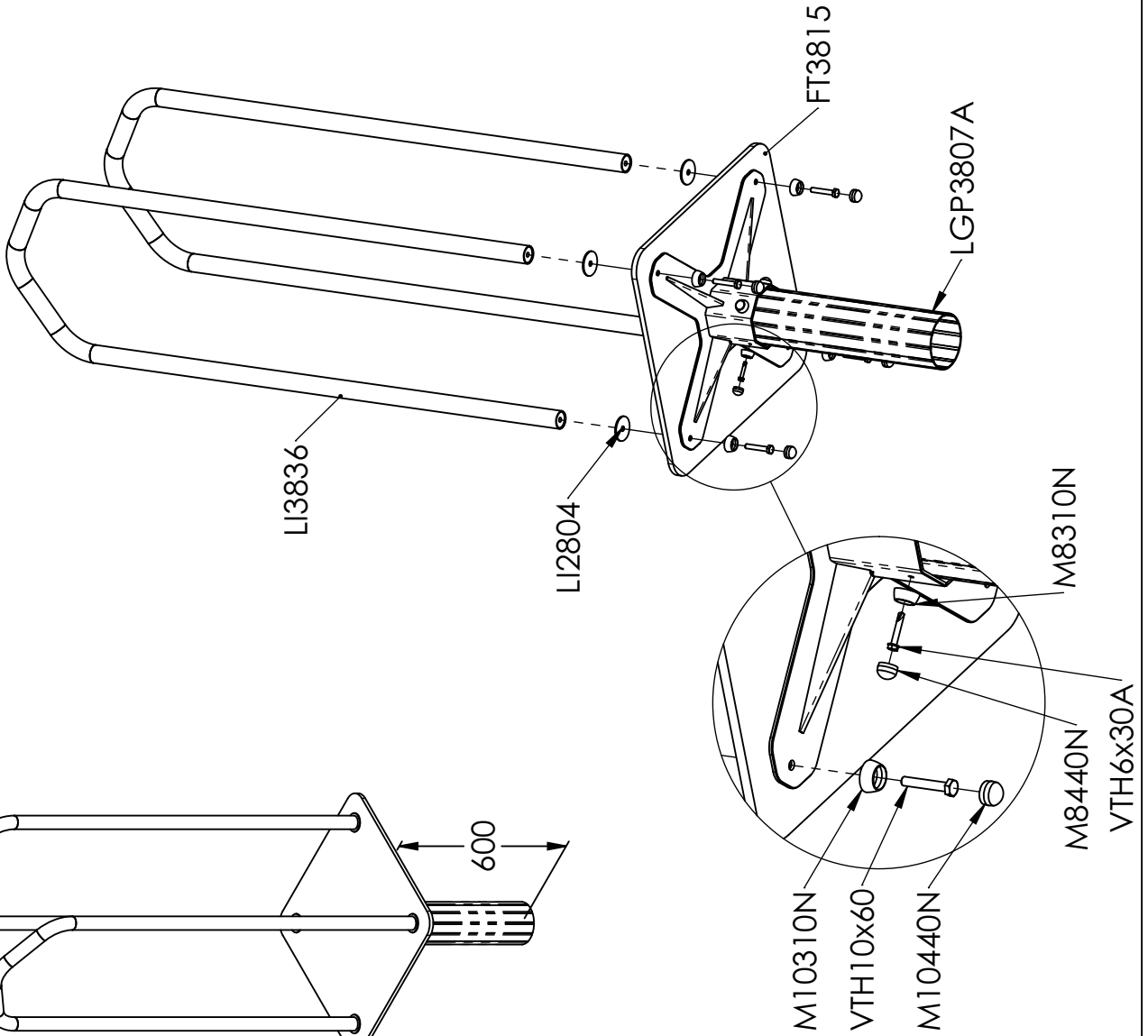
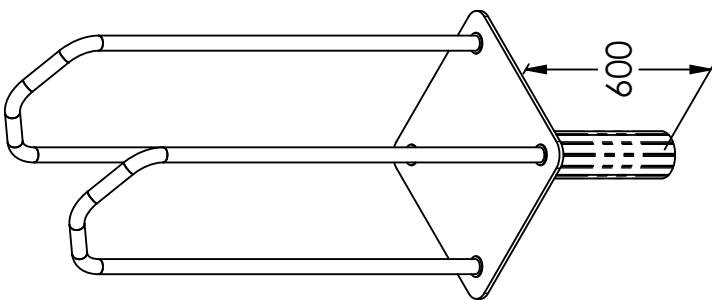


LA000

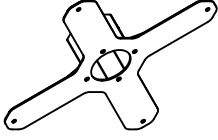


MI0002

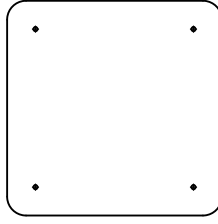




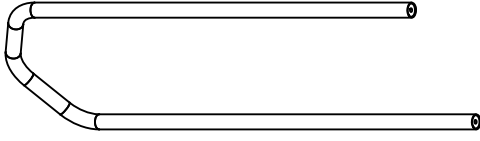
LG3810



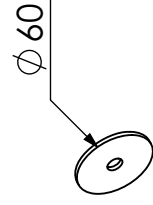
FT3815



LI3836

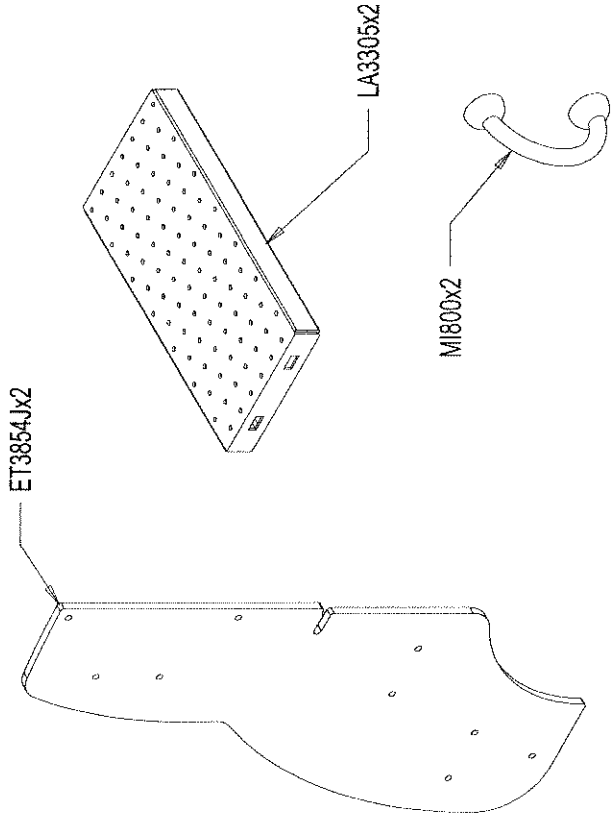
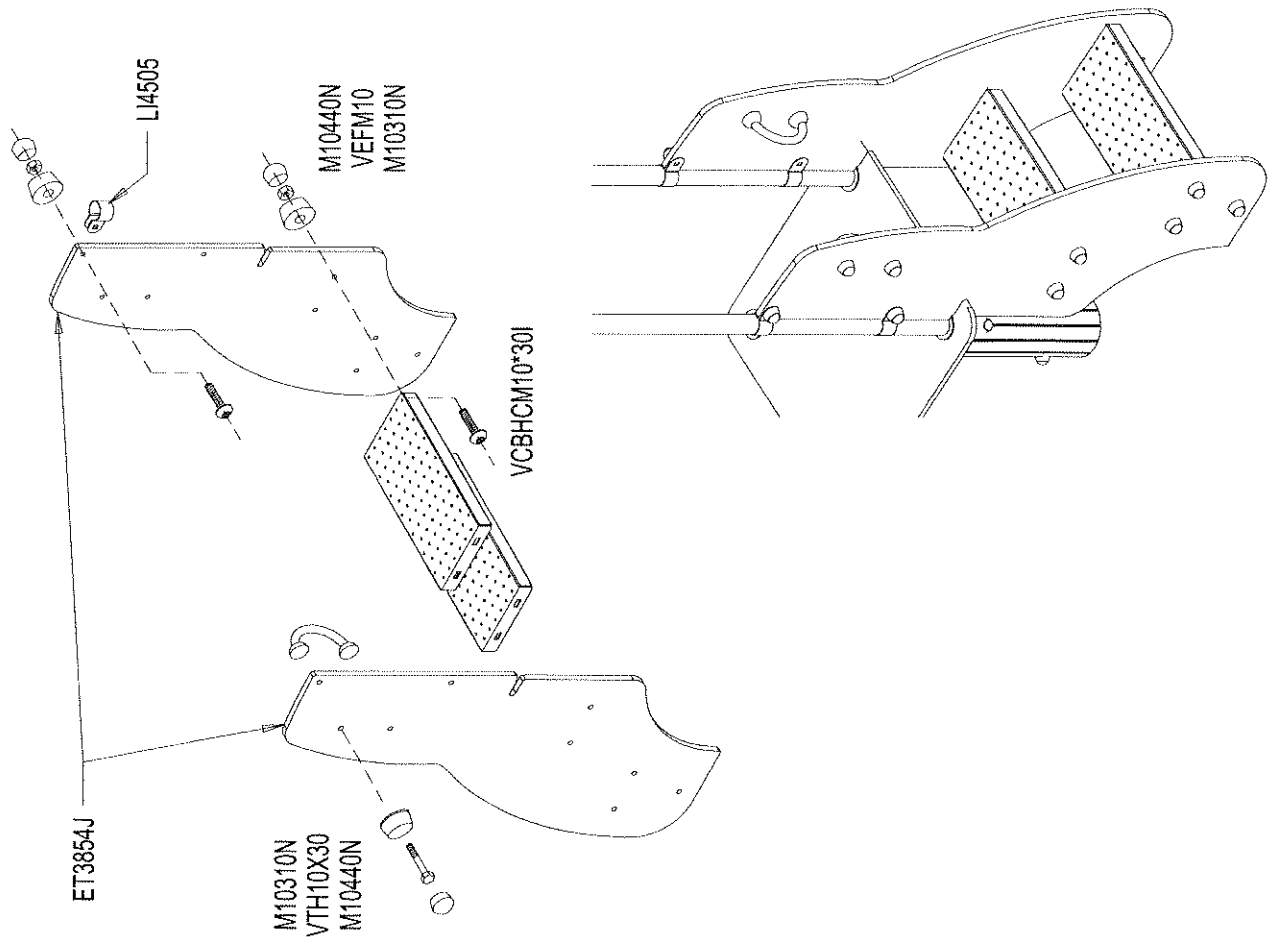


LGP3807A

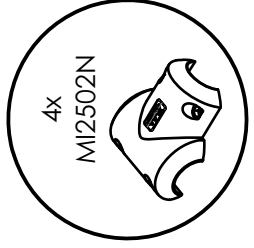
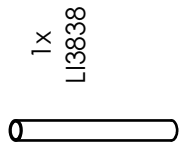
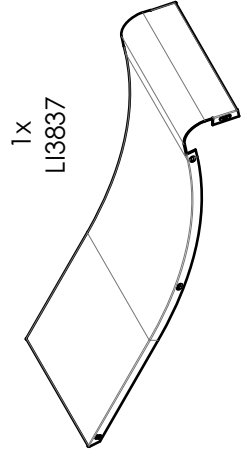
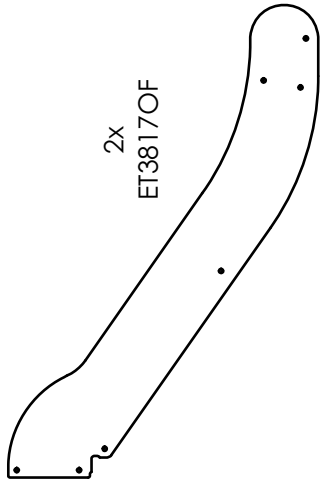
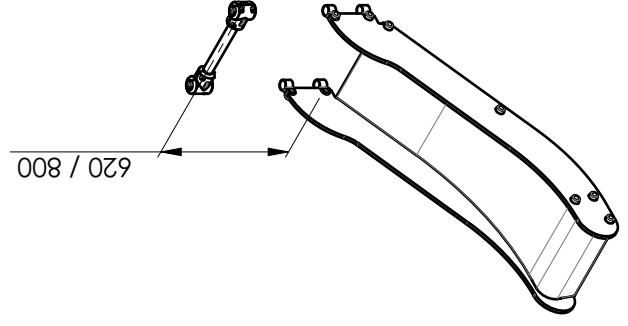
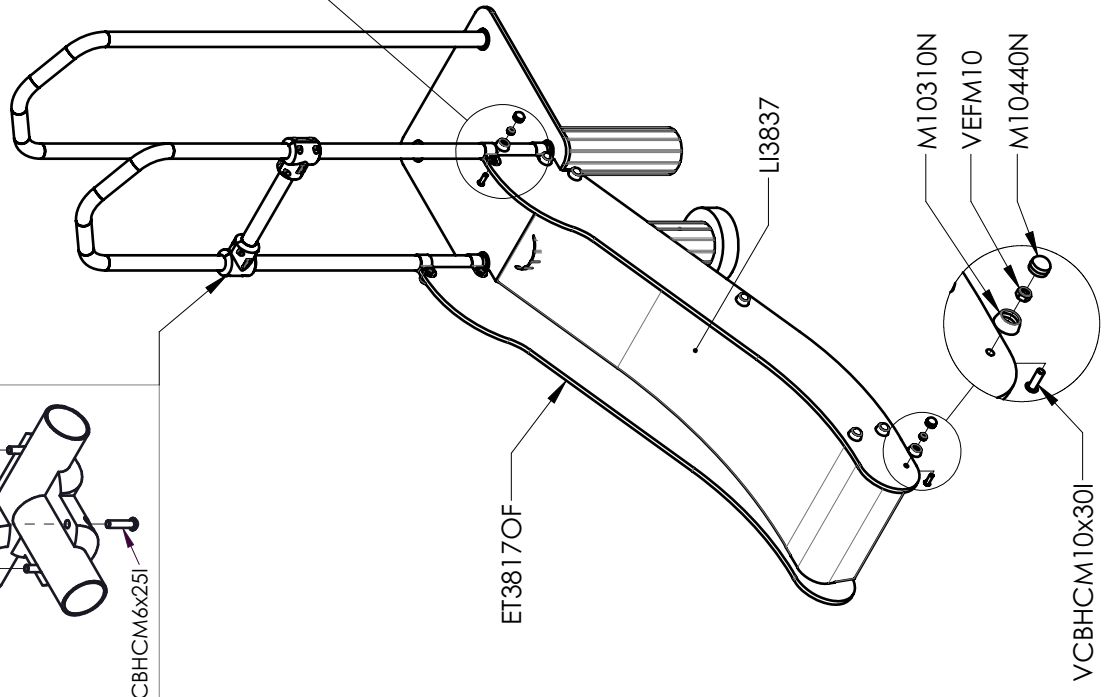
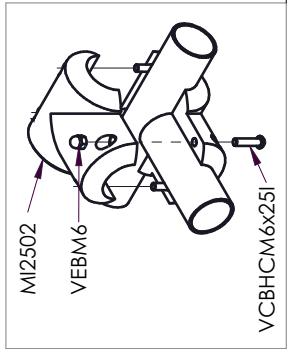


LI2804

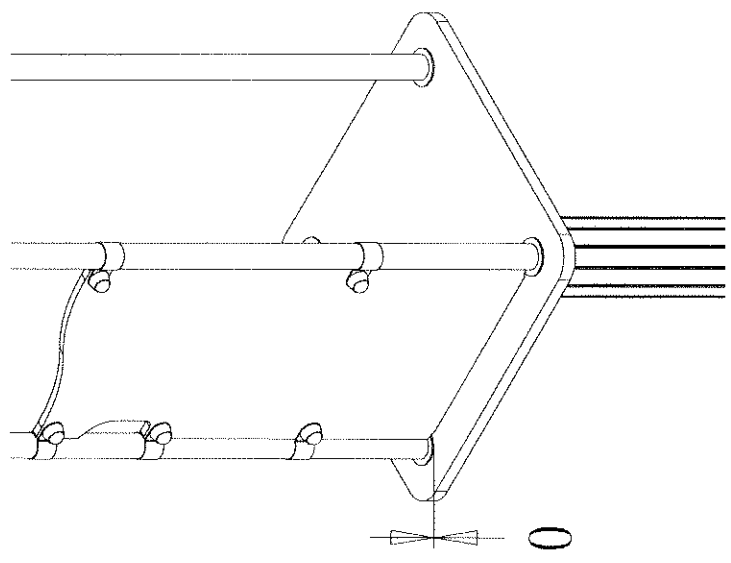
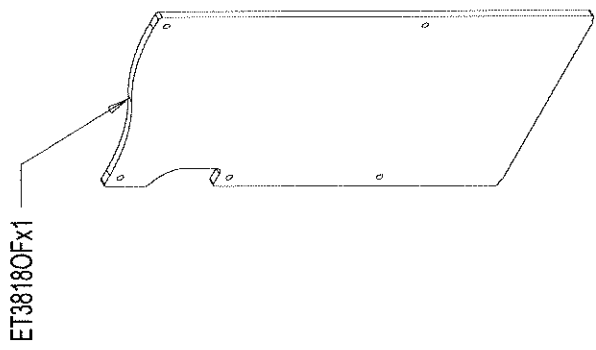
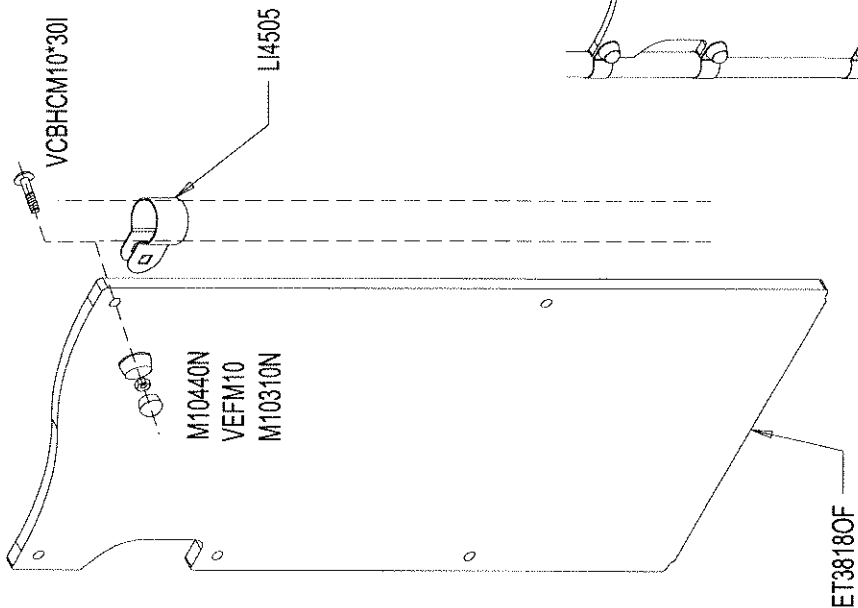
| Réf | Qte |
|----------|-----|
| FT3815 | 1 |
| LG3810 | 1 |
| LGP3807A | 1 |
| LI2804 | 4 |
| LI3836 | 2 |
| M8310N | 4 |
| M8440N | 4 |
| M10310N | 4 |
| M10440N | 4 |
| VTH6x30A | 4 |
| VTH10x60 | 4 |



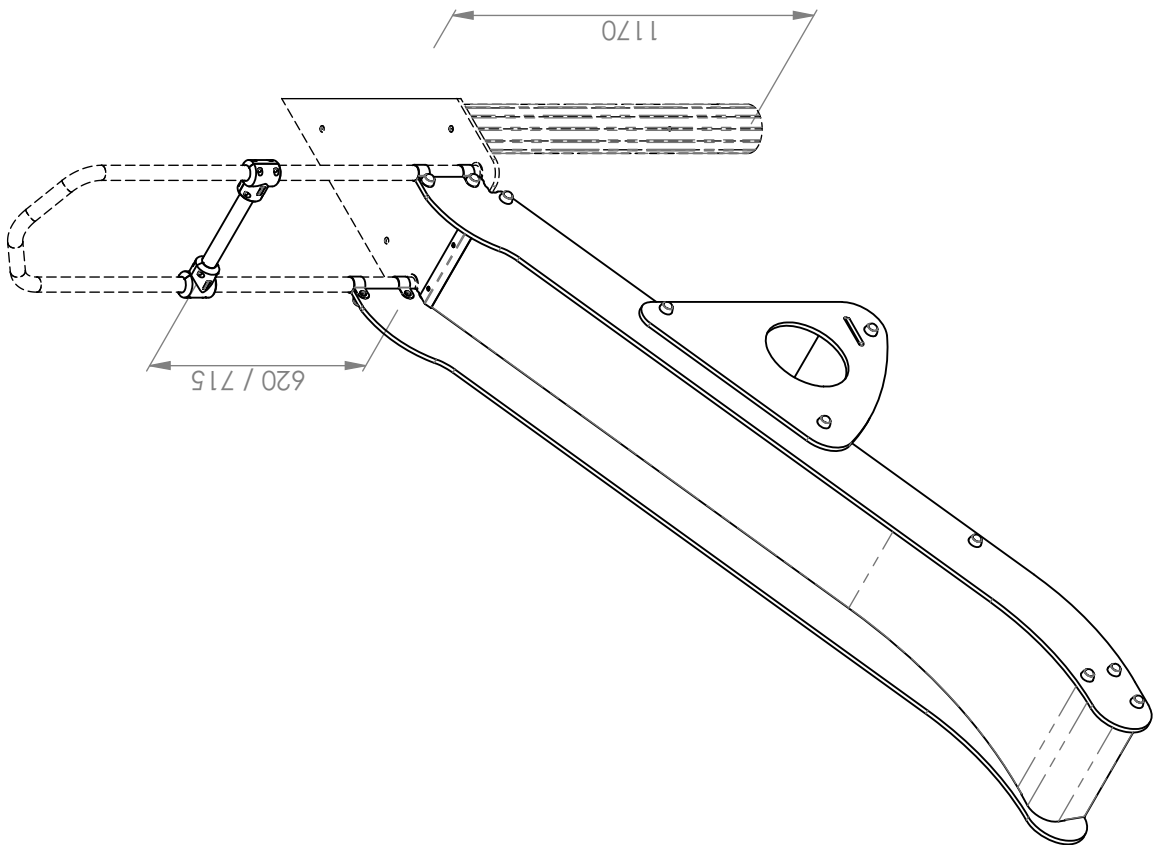
| | | |
|--|--------------|----|
| | VTH 10x30 | 4 |
| | MI 800 | 2 |
| | VEFM10 | 12 |
| | VCBHCM10*30I | 12 |
| | M10310N | 16 |
| | M10440N | 16 |
| | LI4505 | 4 |



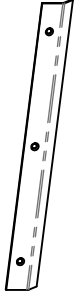
| | |
|--------------|----|
| ET3817OF | 2 |
| LI3837 | 1 |
| LI3838 | 1 |
| LI4505 | 4 |
| M10310N | 14 |
| M10440N | 14 |
| MI2502N | 4 |
| VCBHCM6x25I | 8 |
| VCBHCM10x30I | 14 |
| VEBM6 | 8 |
| VEFM10 | 14 |



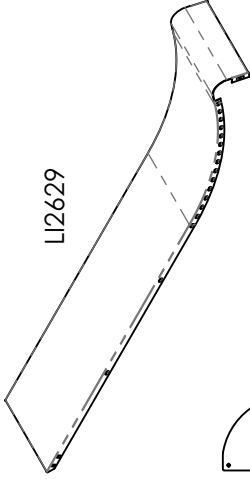
| | | |
|--|--------------|---|
| | VEFM10 | 5 |
| | VCBHCM10*30I | 5 |
| | M10310N | 5 |
| | M10440N | 5 |
| | LI4505 | 5 |



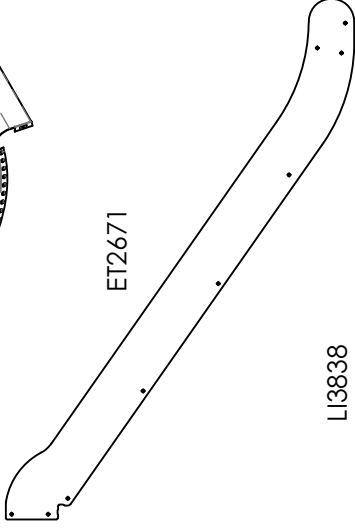
LI9204



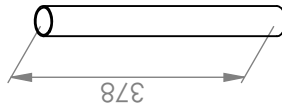
LI2629



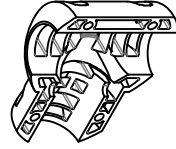
ET2671



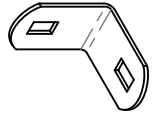
LI3838



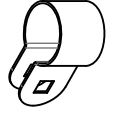
MI2502N



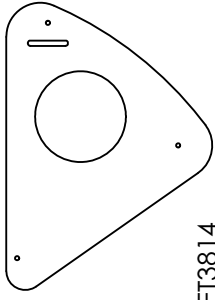
P13



LI4505



ET3851

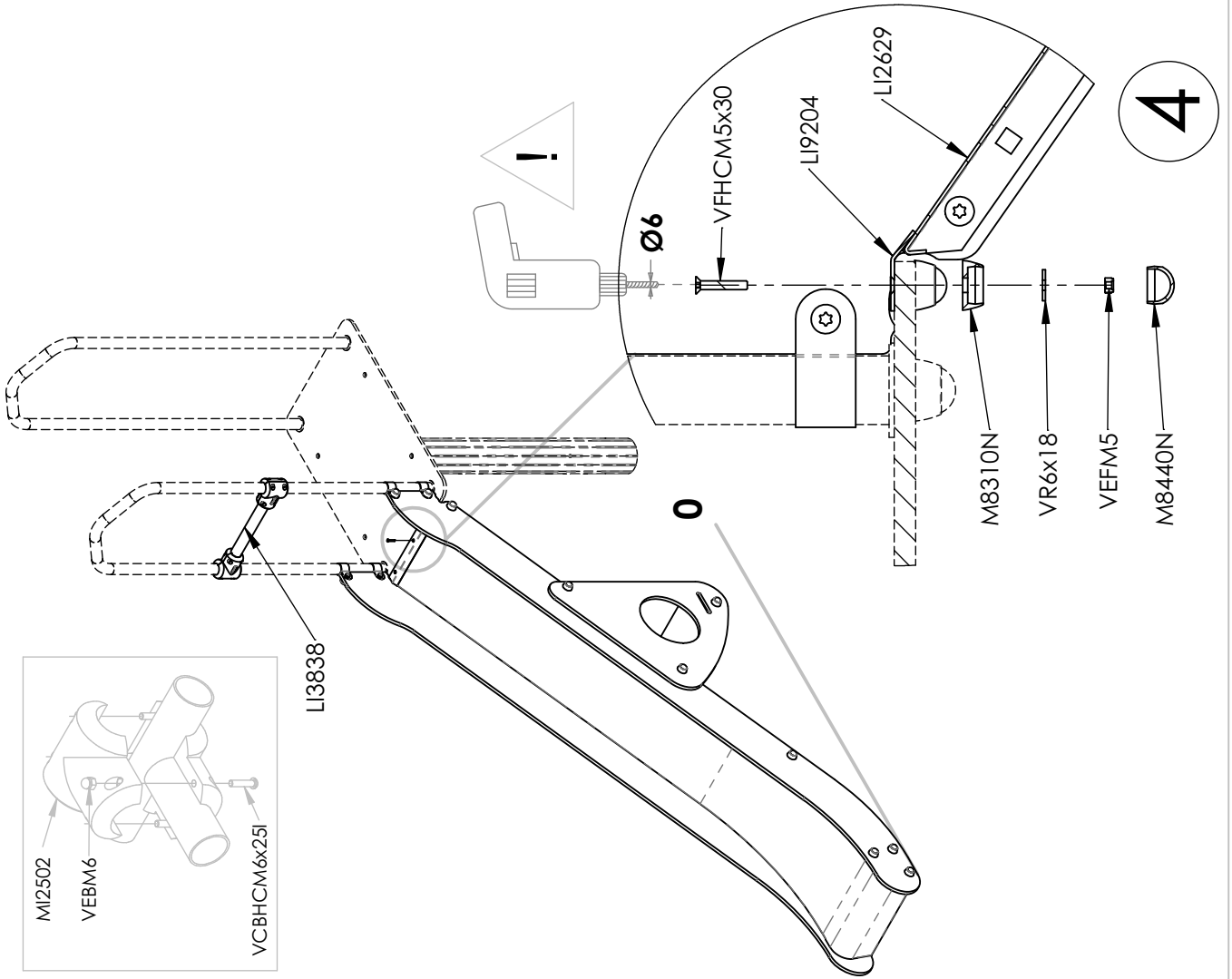
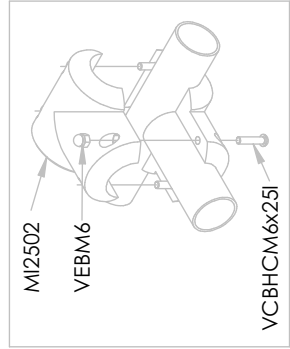
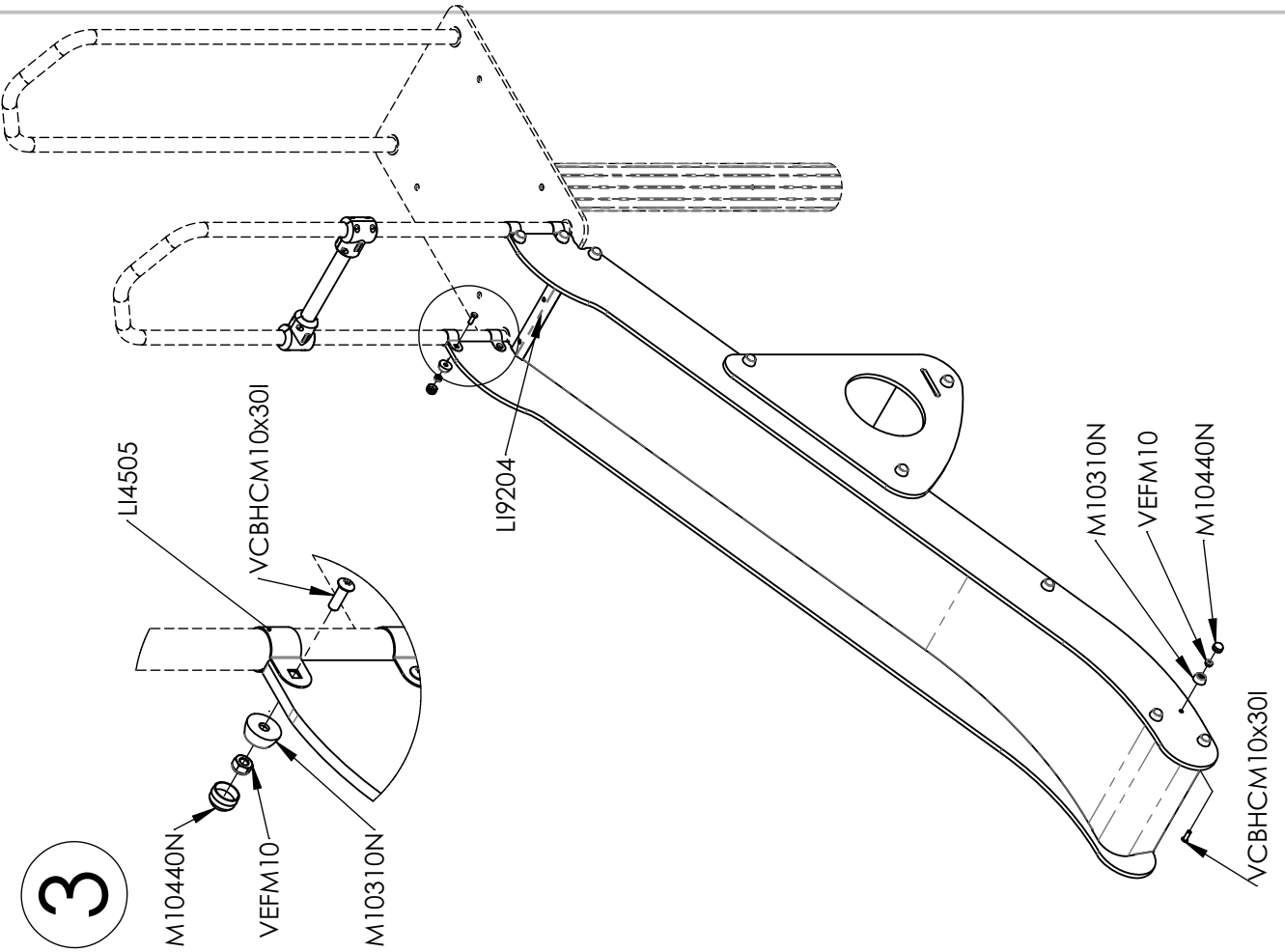


FT3814

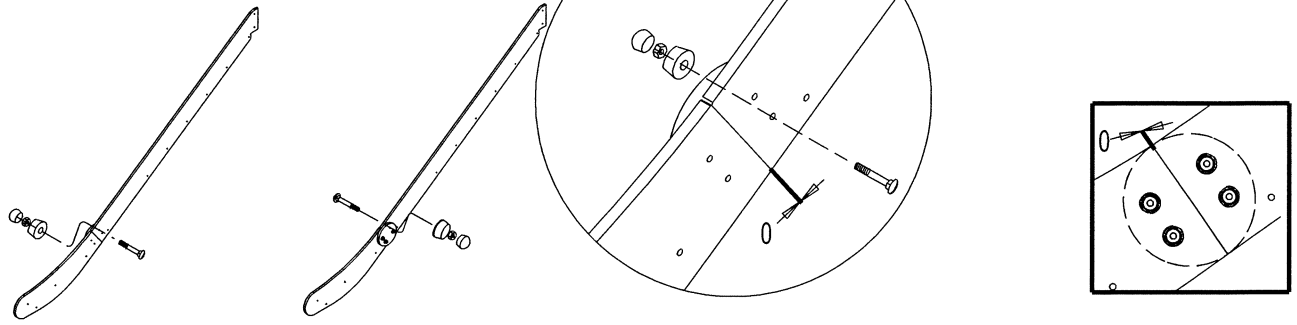


| Référence | Qté |
|---------------|-----|
| LI2629 | 1 |
| ET2671J | 2 |
| LI4505 | 4 |
| VCBHC M10x30I | 22 |
| VCBHC M6x25I | 8 |
| M10310N | 22 |
| VEFM10 | 22 |
| VEFM5 | 3 |
| M10440N | 22 |
| LI3838 | 1 |
| MI2502N | 4 |
| VEBM6 | 8 |
| LI9204 | 1 |
| M8310N | 3 |
| M8440N | 3 |
| VFHCM5x30 | 3 |
| ET3851OF | 2 |
| FT3814 | 1 |
| P13 | 2 |
| VR6x18 | 3 |

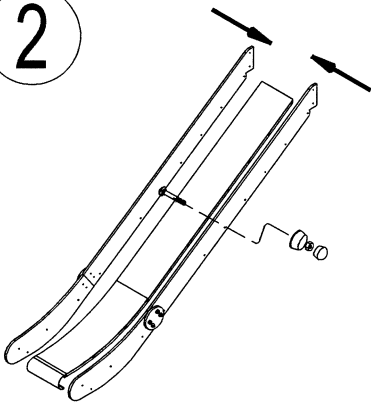
3



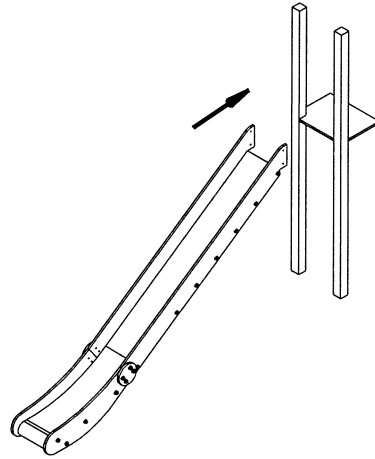
1



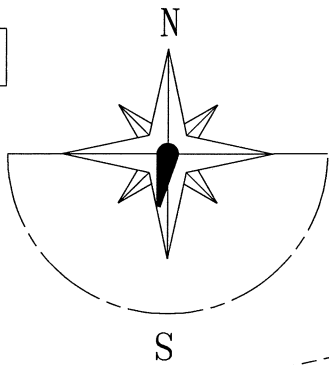
2



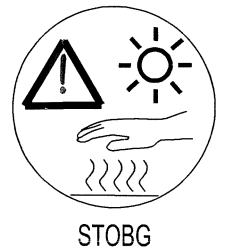
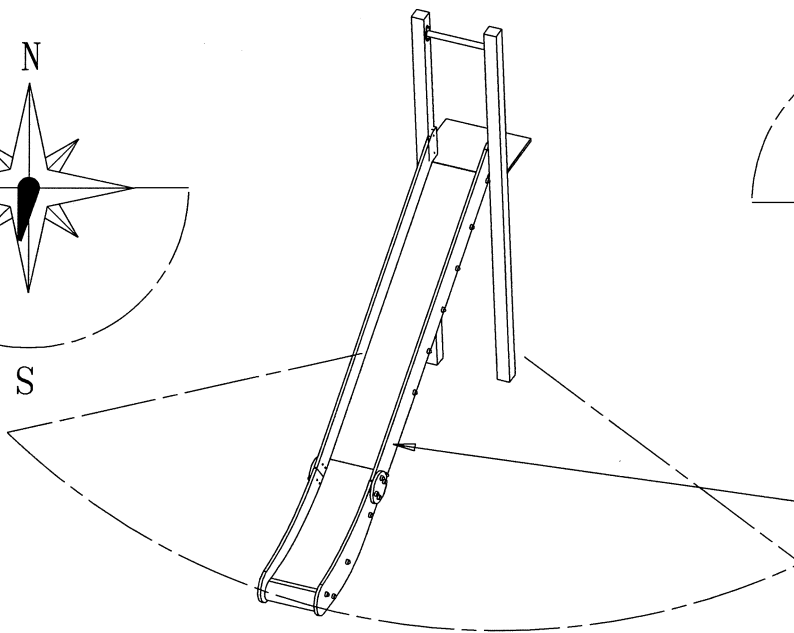
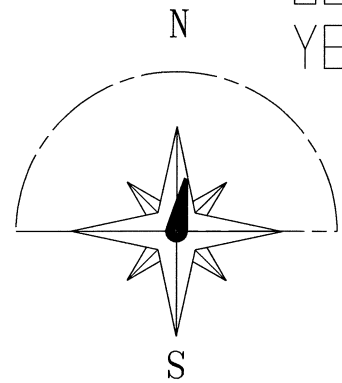
3



NON
NO

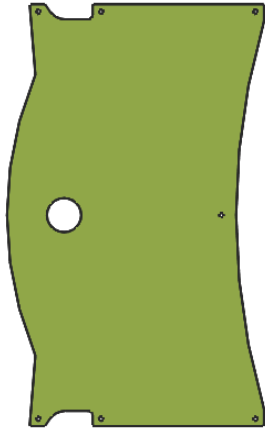
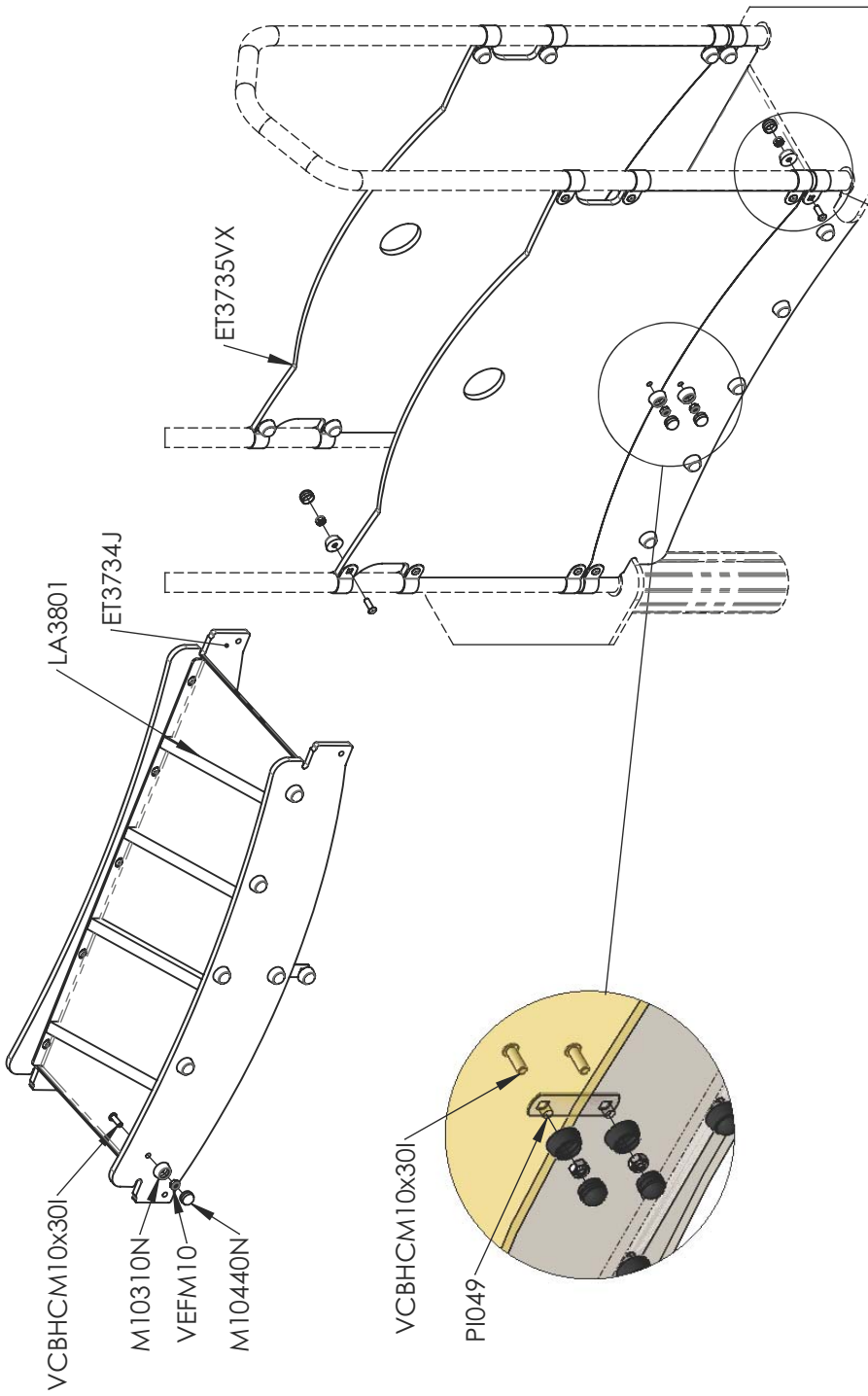


OUI
YES



FR

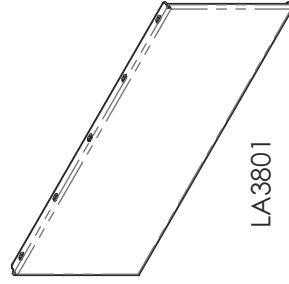
Il est recommandé de ne pas orienter la glissière Sud / Sud Ouest



ET3735VX



ET3734J

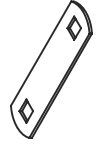


LA3801

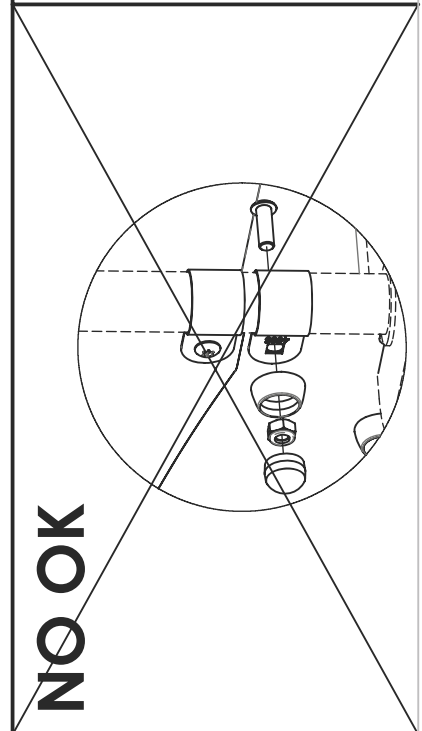
LI4505

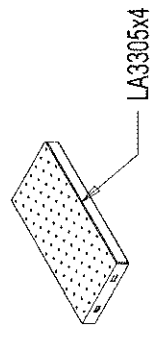
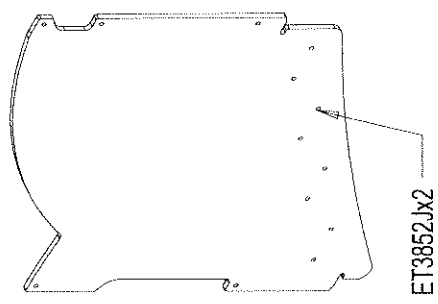
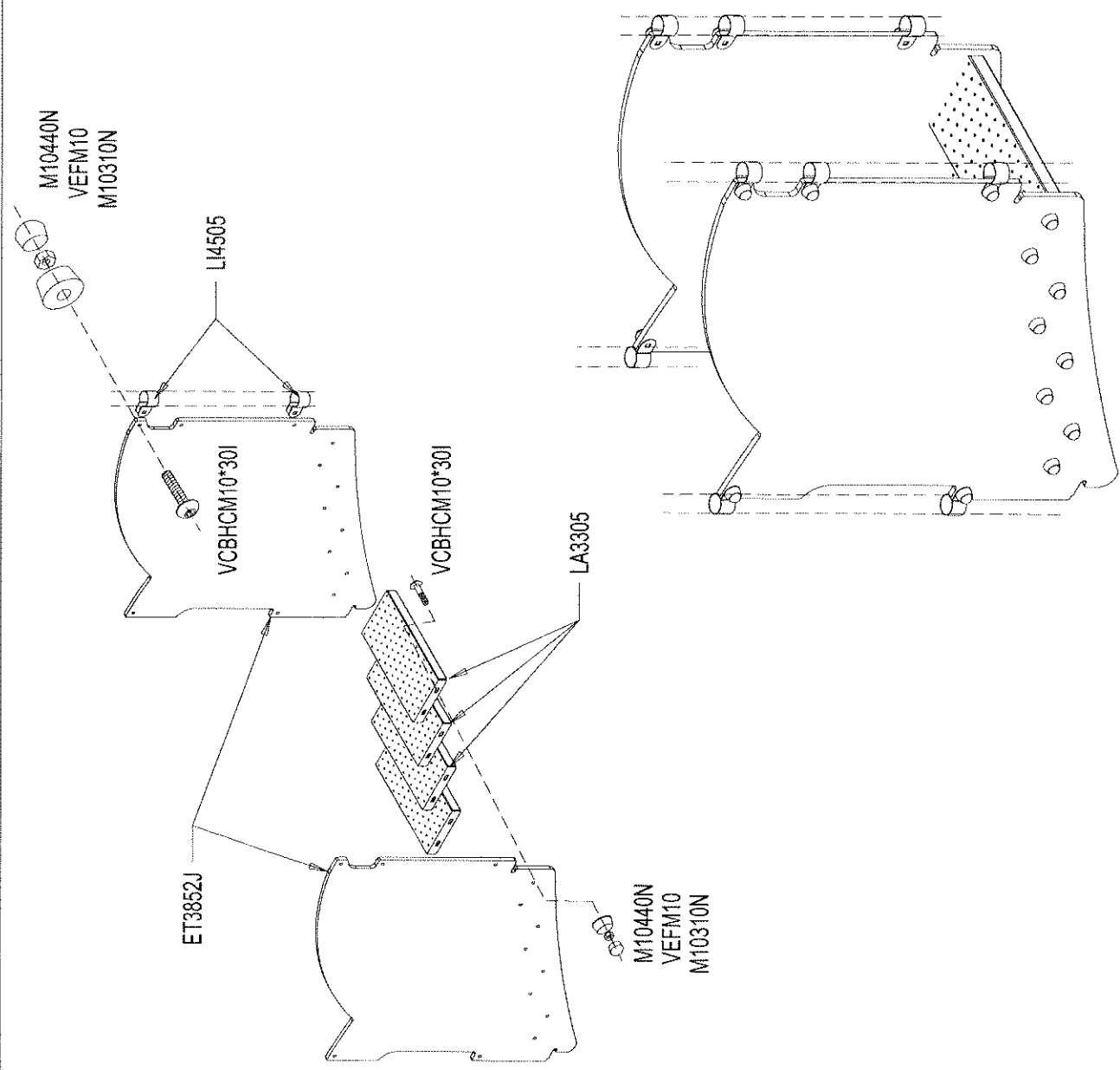


PI049

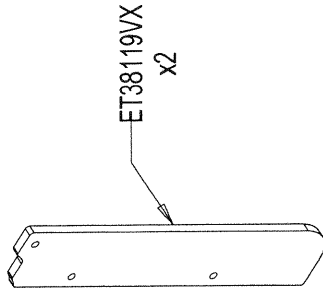
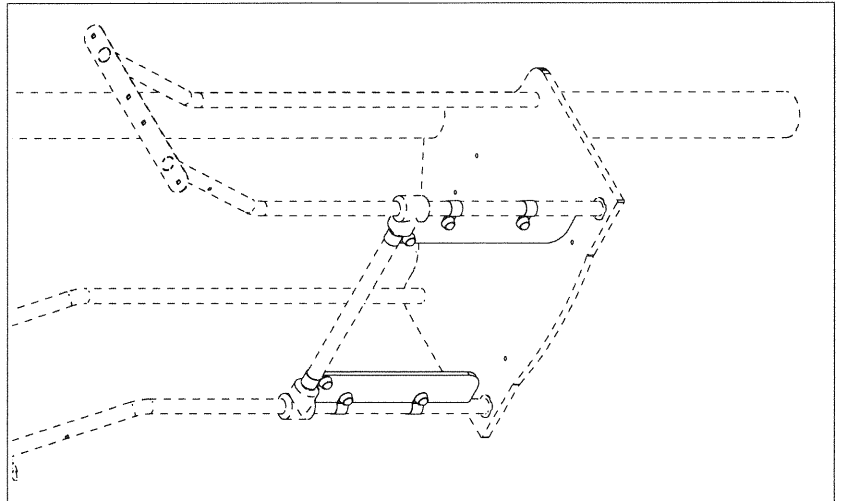
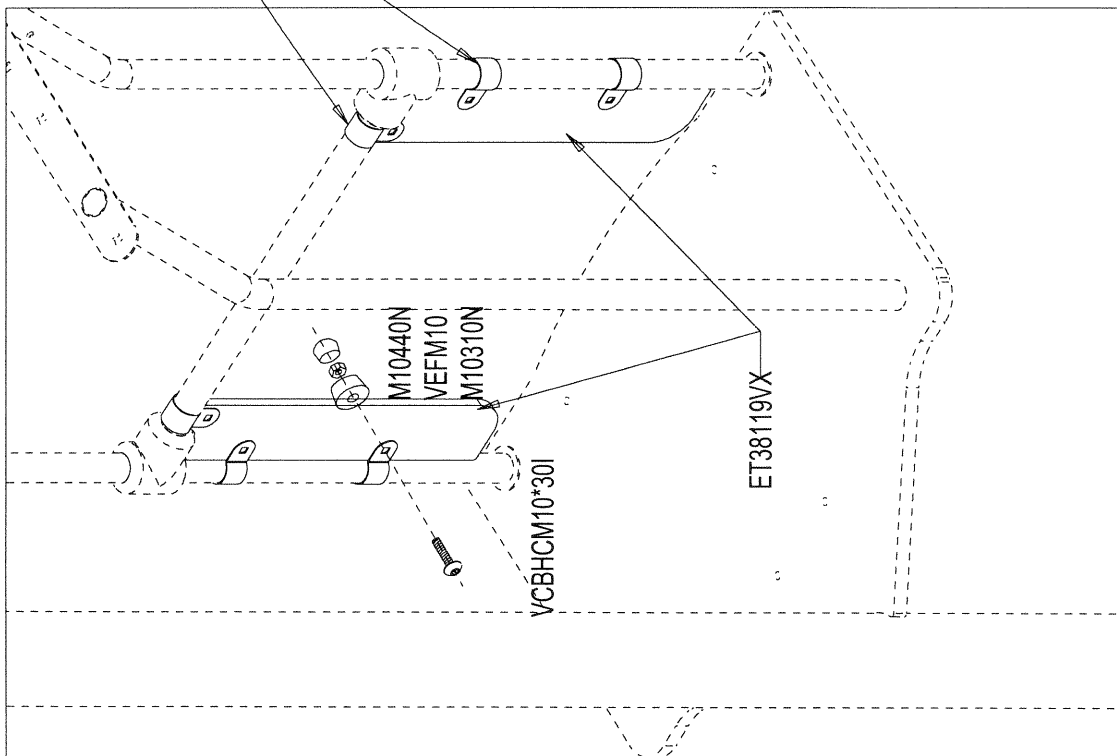


| Réf | Qté |
|--------------|-----|
| ET3734J | 2 |
| ET3735VX | 2 |
| LA3801 | 1 |
| LI4505 | 16 |
| M10310N | 30 |
| M10440N | 30 |
| PI049 | 2 |
| VCBHCM10x30I | 30 |
| VEFM10 | 30 |

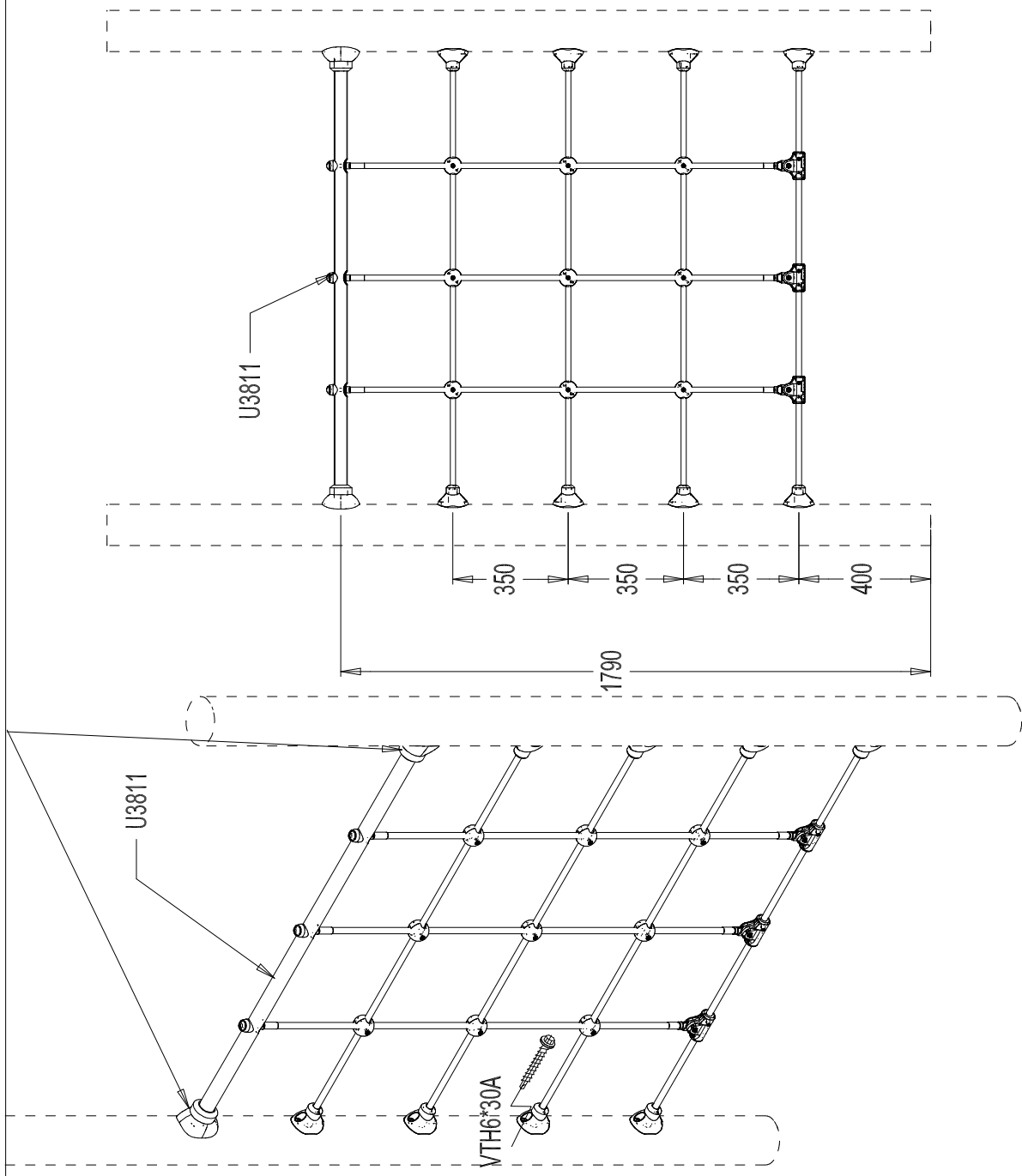
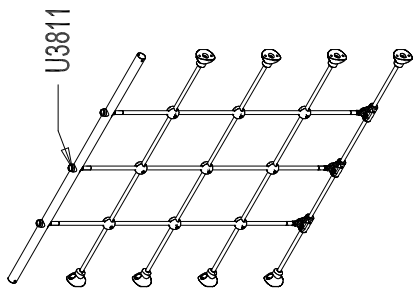
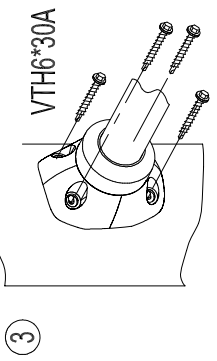
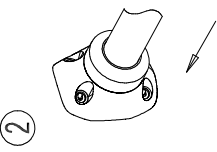
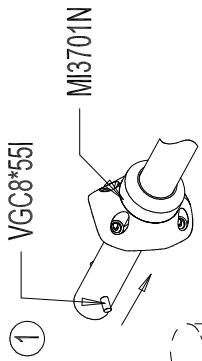





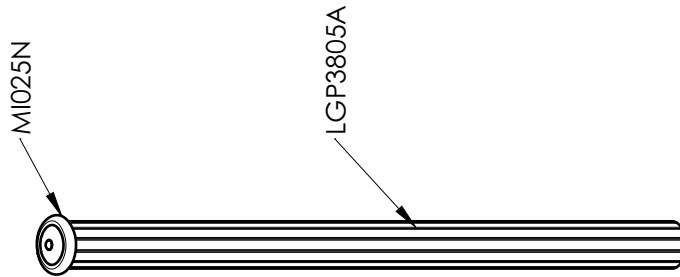
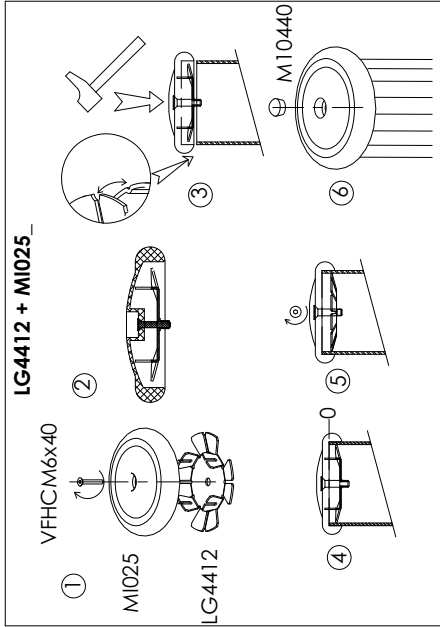
| | | |
|--|--------------|----|
| | VEFM10 | 26 |
| | VCBHCM10*30I | 26 |
| | M10310N | 26 |
| | M10440N | 26 |
| | LI4505 | 10 |



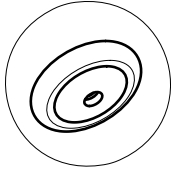
| | | |
|--|--------------|---|
| | L14505 | 6 |
| | M10310N | 6 |
| | M10440N | 6 |
| | VEFM10 | 6 |
| | VCBHCM10*30I | 6 |



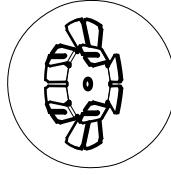
| | | |
|---|-----------|----|
|  | VGC8*55I | 2 |
|  | VTH 6x30A | 24 |
|  | M13701N | 2 |



LGP3805A

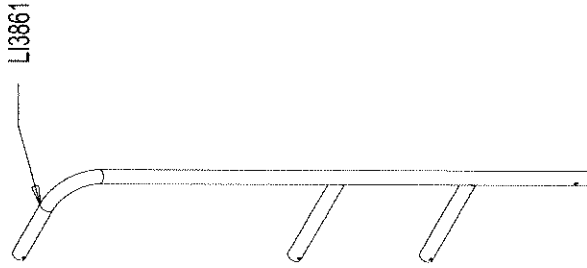
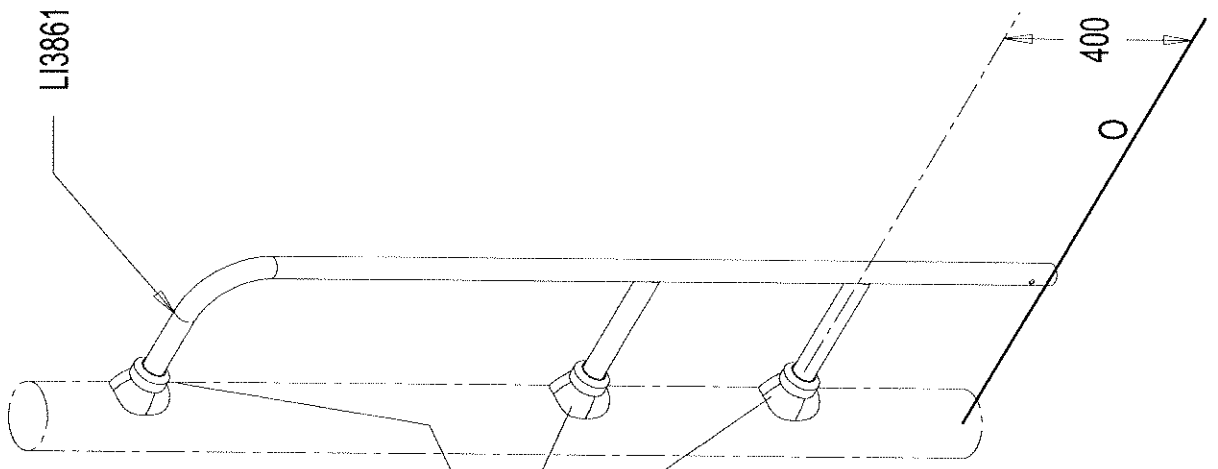
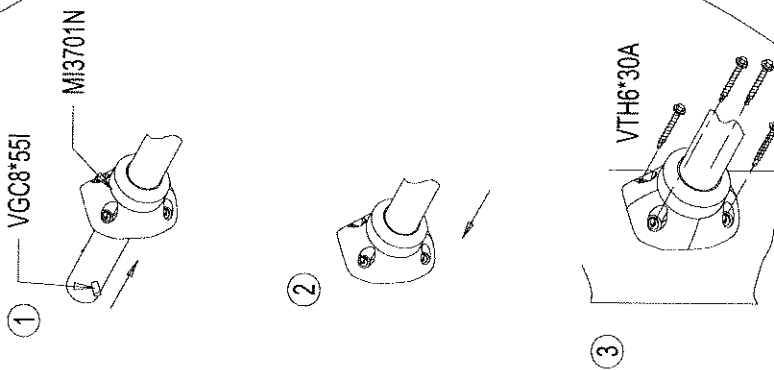



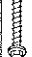

MI025

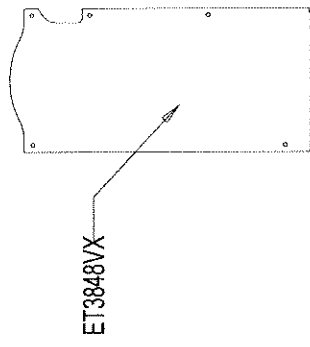


LG4412

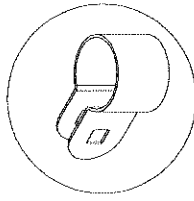
| Réf | Qté |
|-----------|-----|
| LG4412 | 1 |
| LGP3805A | 1 |
| M10440N | 1 |
| MI025N | 1 |
| VFHCM6x40 | 1 |



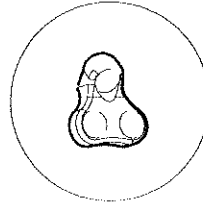
| | | |
|---|-----------|----|
|  | VGC8*55I | 3 |
|  | VTH 6x30A | 12 |
|  | MI3701N | 3 |



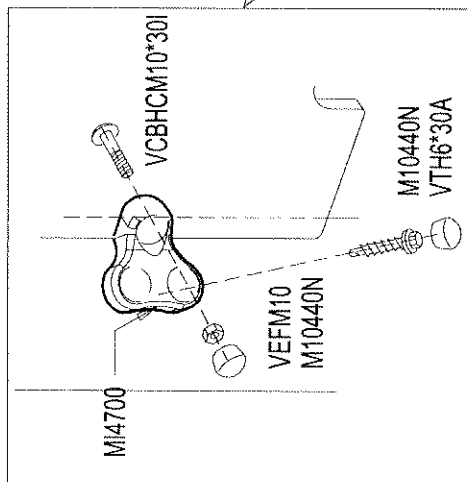
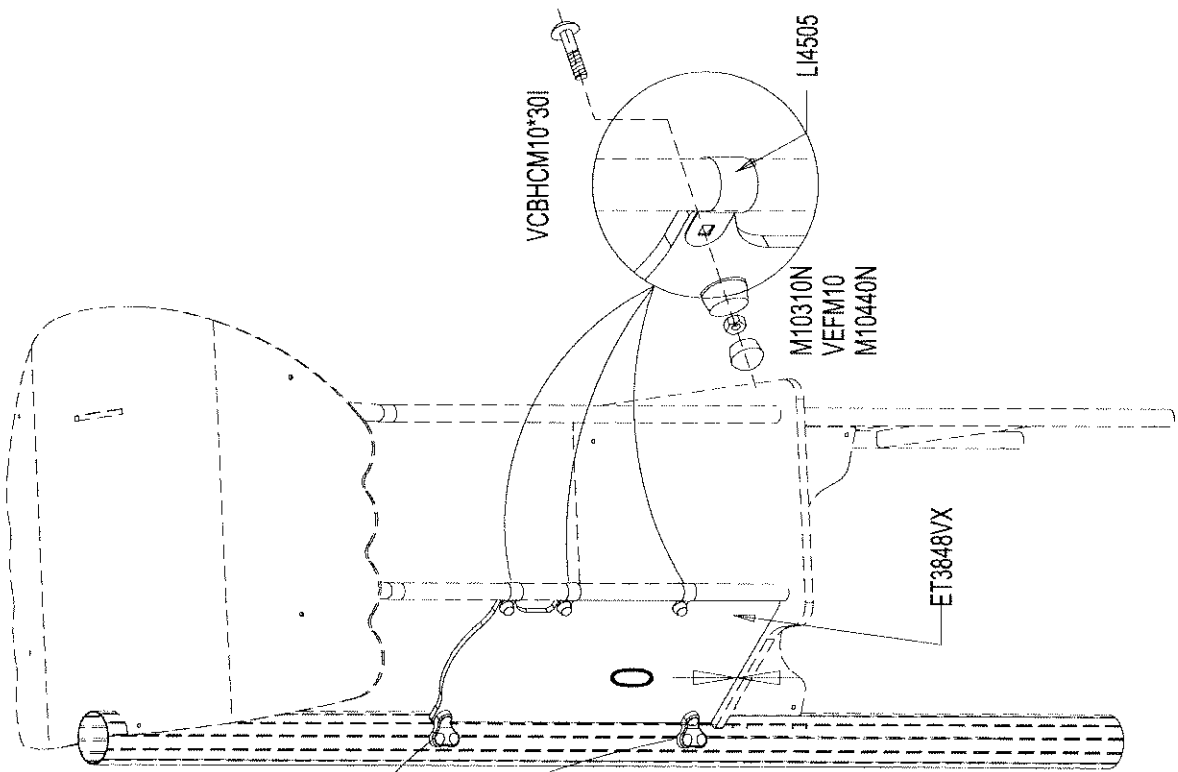
LI4505 x 3

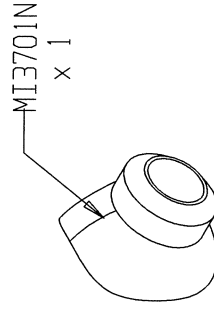
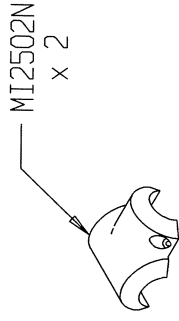
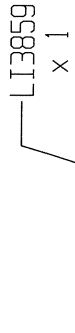
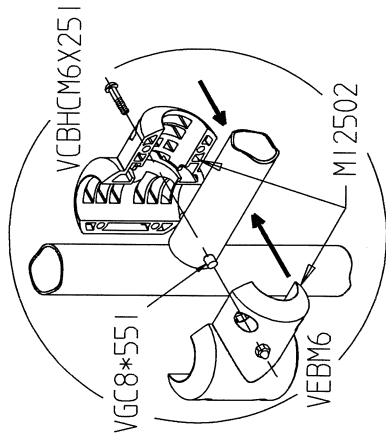
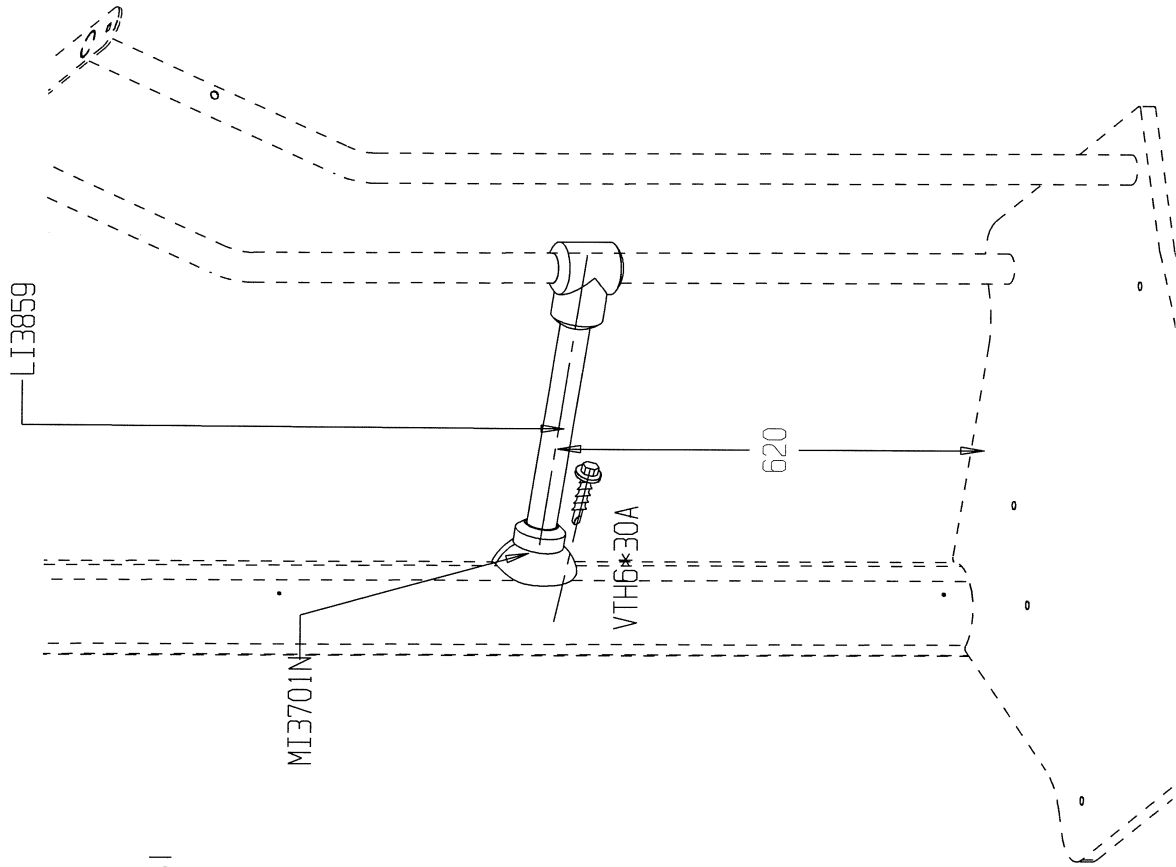


MI4700 X 2



| | | |
|--|-------------|---|
| | VTH6*30A | 4 |
| | VEFM10 | 5 |
| | VCBHC10*30I | 5 |
| | M10310N | 3 |
| | M10440N | 3 |

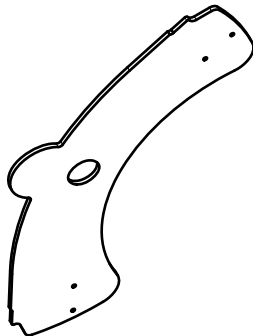




| | | |
|--|------------|---|
| | VGC8*55I | 2 |
| | VEBM6 | 4 |
| | VCBHC6*25I | 4 |
| | VTH6*30A | 4 |

LGP3806A

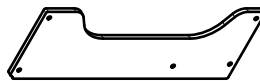
1x
ET3831



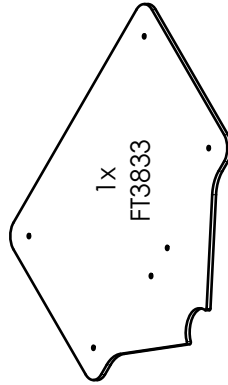
1x
LP3800N



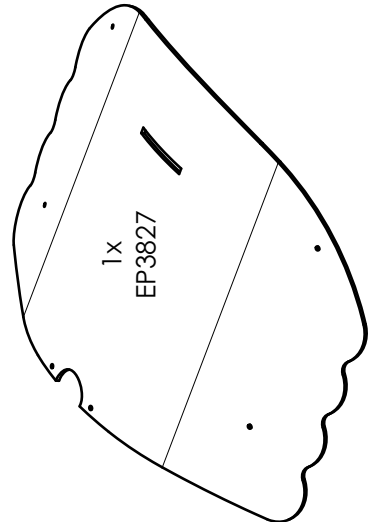
1x
ET3832



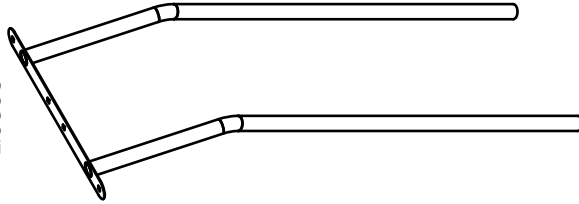
1x
FT3833



1x
EP3827



2x
LI3858



1x
LG4412



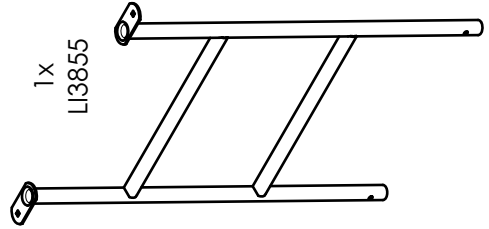
1x
MI025N



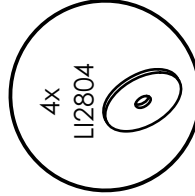
4x
MI4700



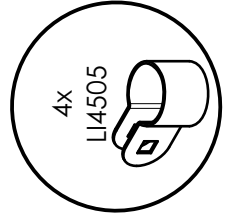
1x
LI3855



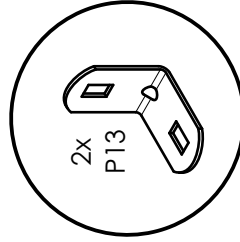
4x
LI2804



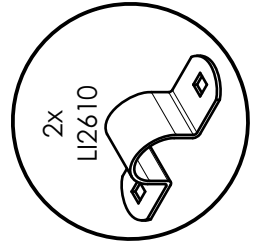
4x
LI4505



2x
P13

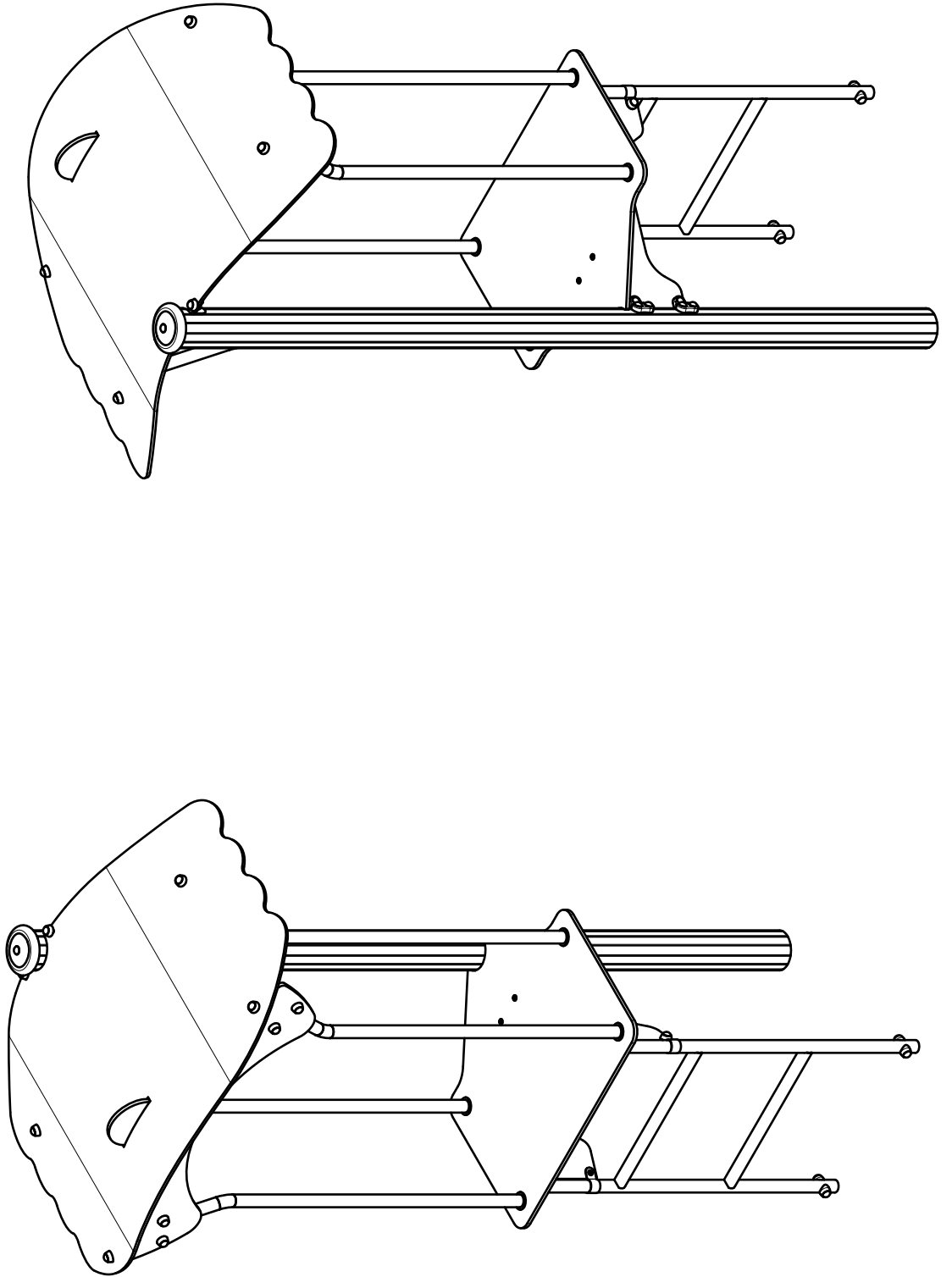


2x
LI2610

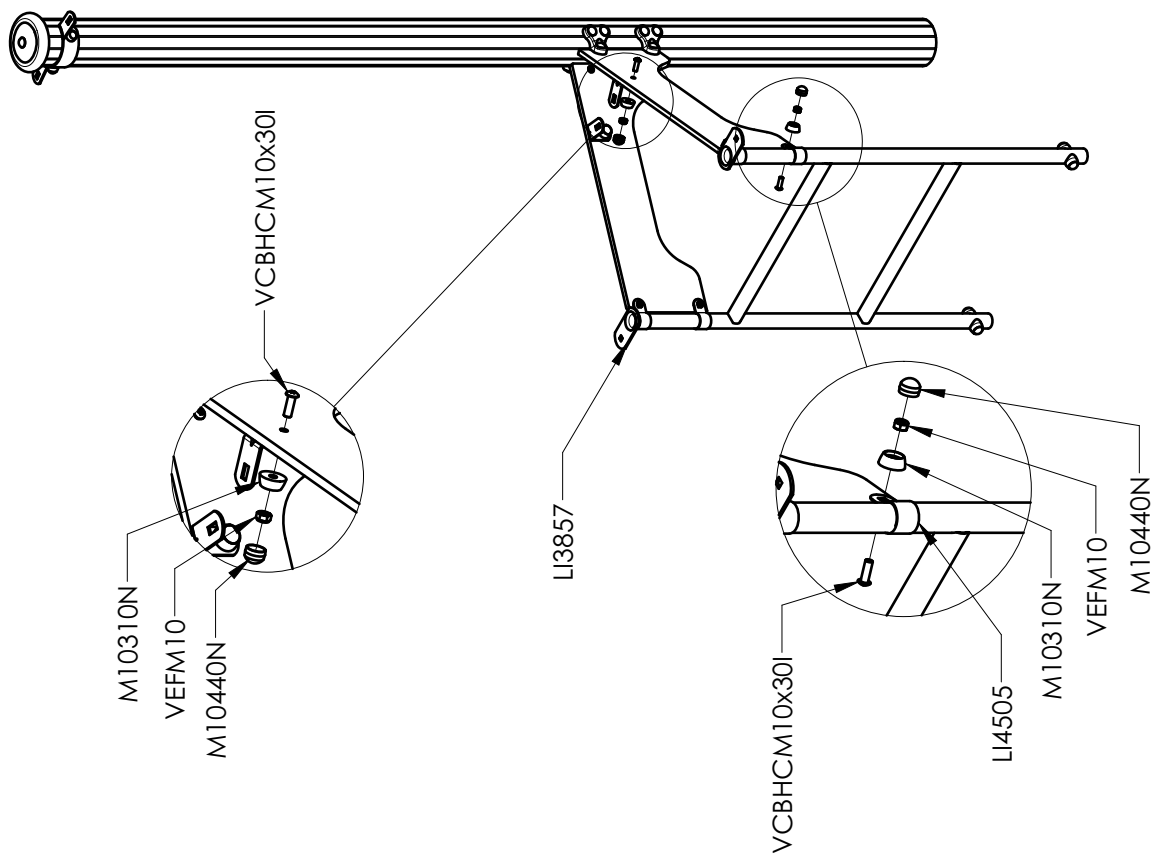
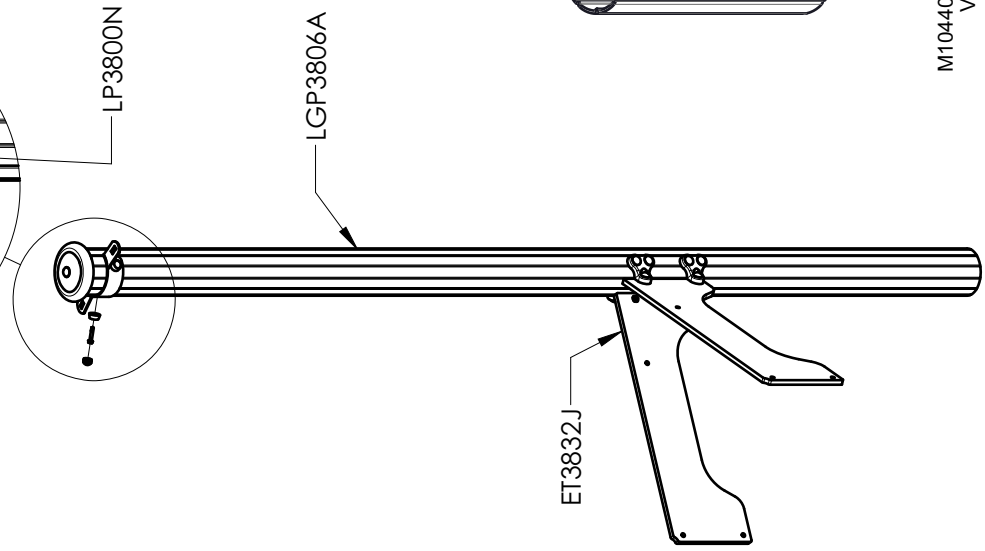
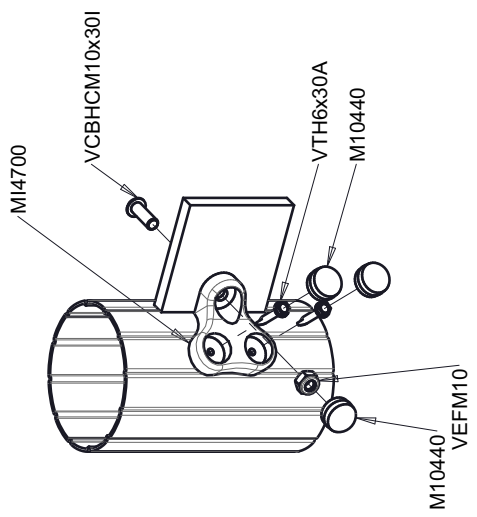
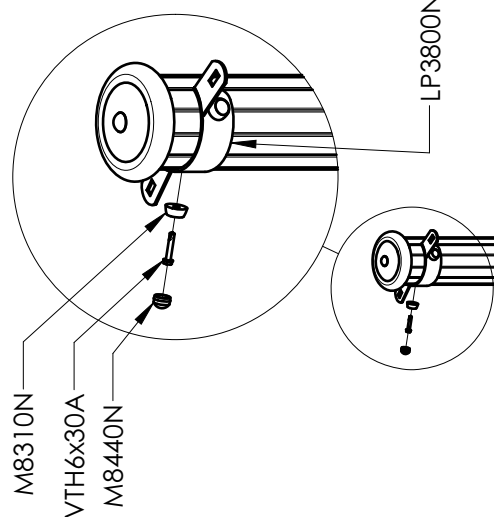
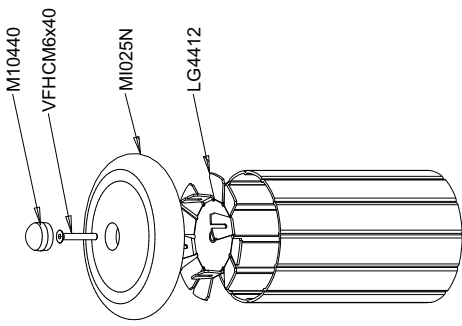


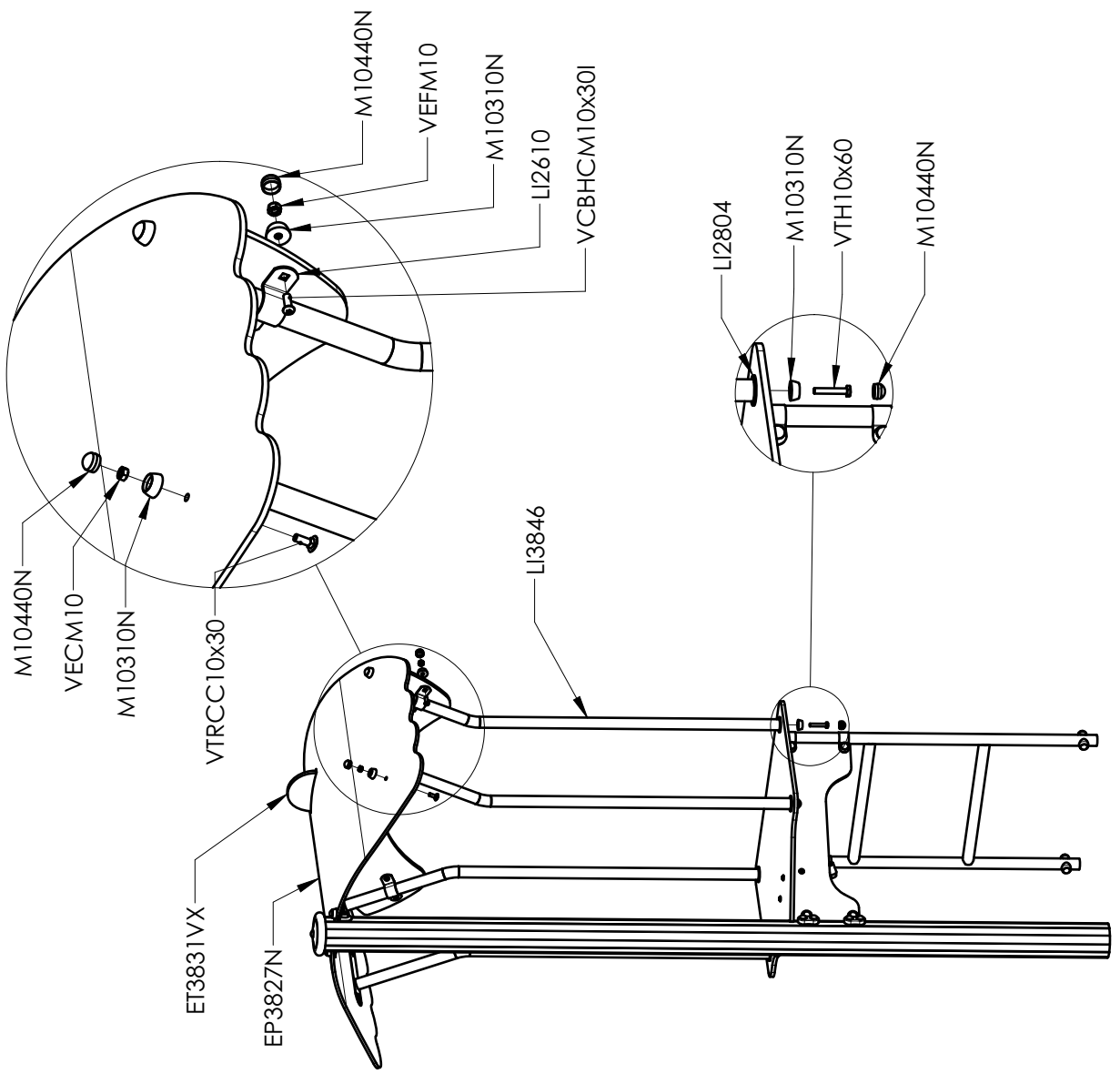
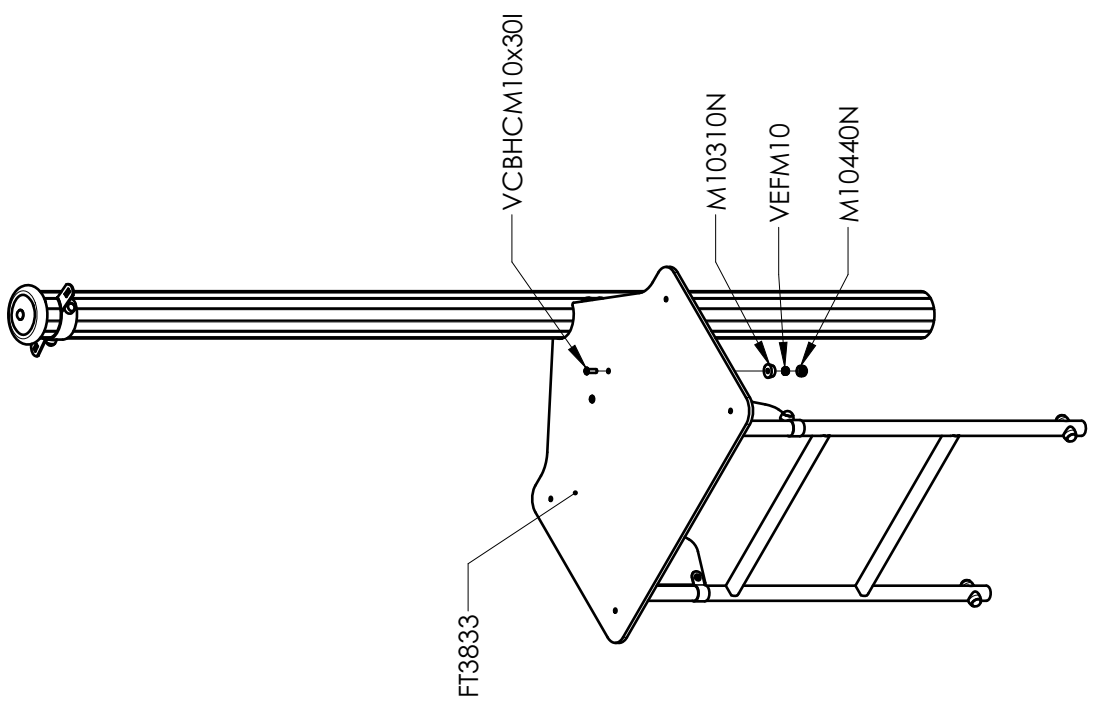
| REF | QTE |
|-------------|-----|
| EP3827N | 1 |
| ET3831 VX | 1 |
| ET3832J | 2 |
| FT3833 | 1 |
| LG4412 | 1 |
| LG4502 | 2 |
| LGP3806A | 1 |
| LI2610 | 2 |
| LI2804 | 4 |
| LI3855 | 1 |
| LI3858 | 2 |
| LI4505 | 4 |
| LP3800N | 1 |
| M8310N | 2 |
| M8440N | 2 |
| M10310N | 22 |
| M10440N | 39 |
| MI025N | 1 |
| MI2503N | 4 |
| MI4700 | 4 |
| P13 | 2 |
| VCBHC10x30I | 16 |
| VECM10 | 6 |
| VEFM10 | 18 |
| VFHC6x40 | 1 |
| VTH6x30A | 10 |
| VTH10x60 | 6 |
| VTRCC10x30 | 6 |

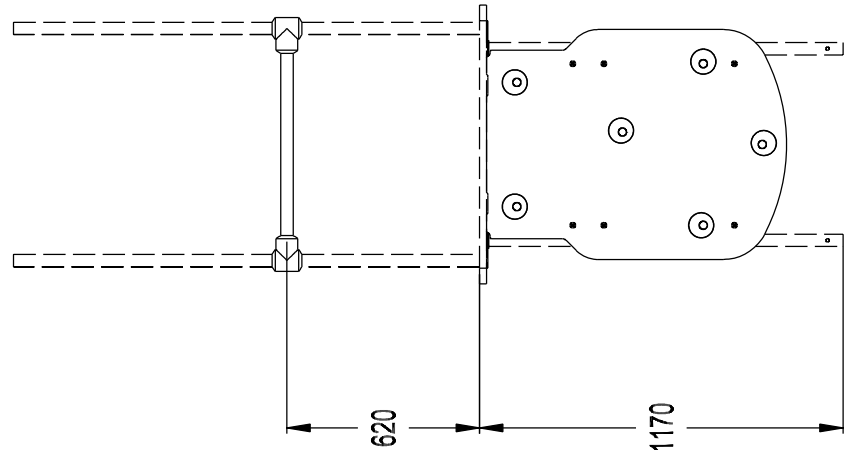
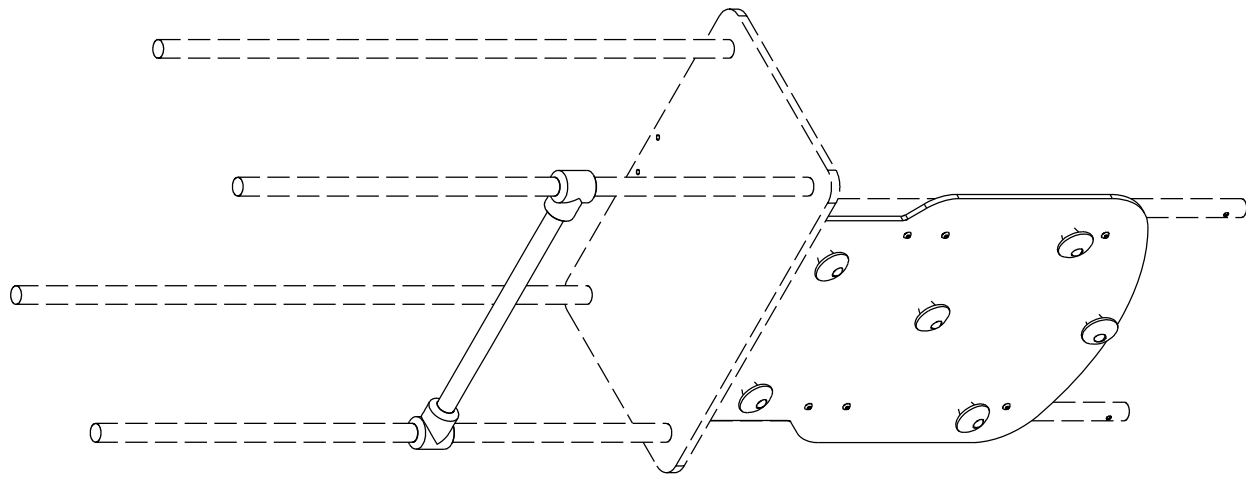




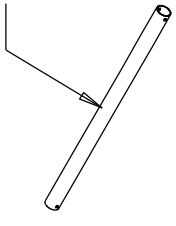
G3830A



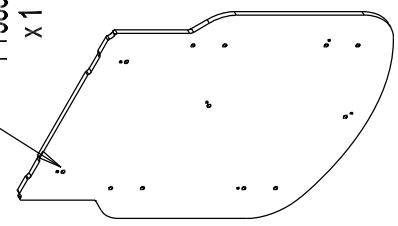




LI3740
x1



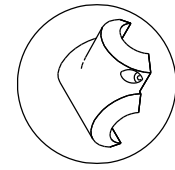
FT3838
x1



MI3800VX x2
MI3800J x2
MI3800O x2

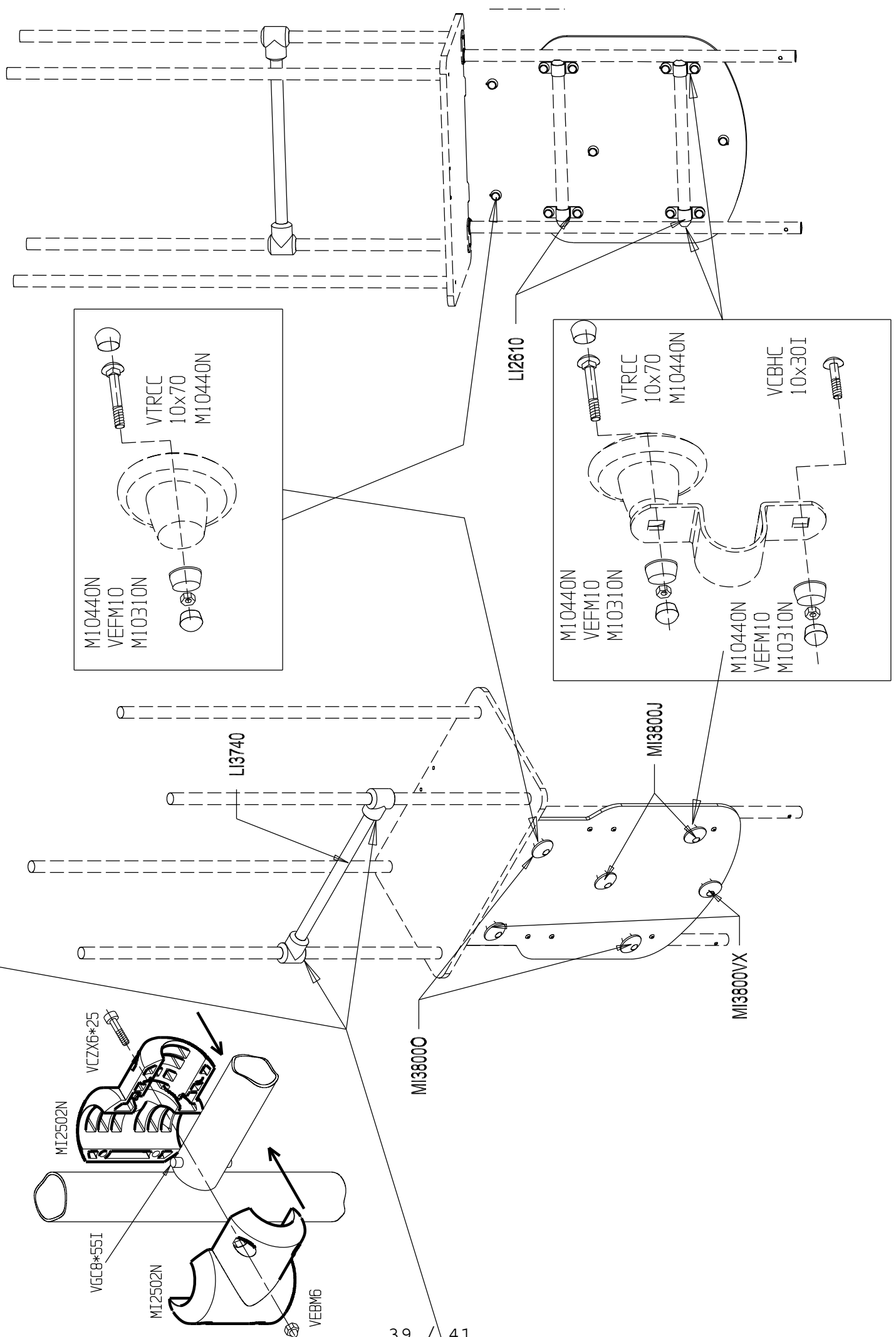


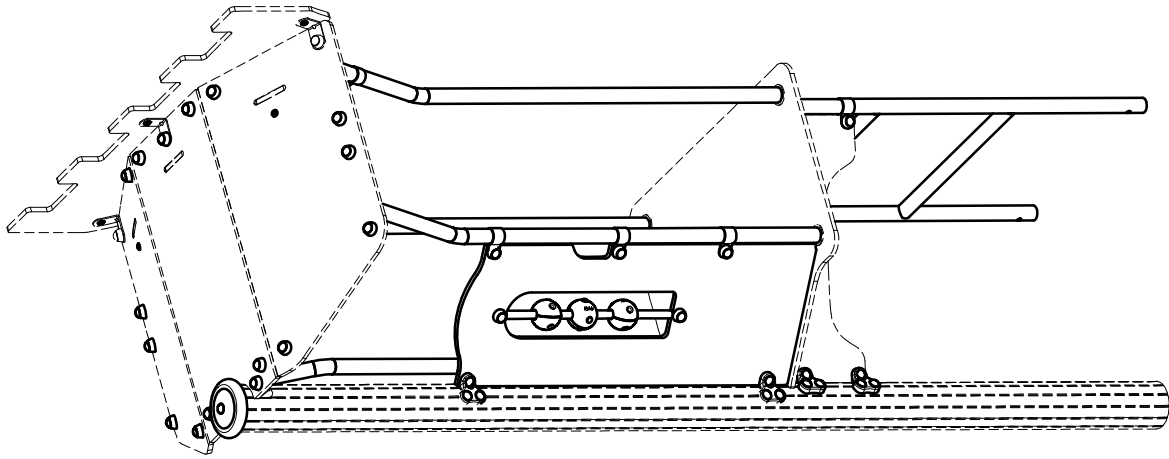
LI2610
x4



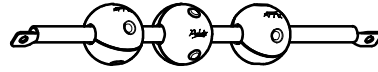
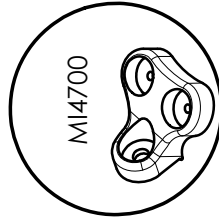
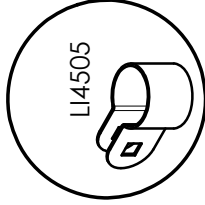
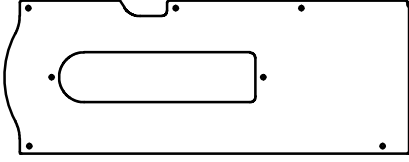
MI2502N x4

| | | |
|--|-------------|----|
| | VCZX 6x25 | 8 |
| | VEBM6 | 8 |
| | VCBHC10*30I | 6 |
| | VTRCC10x70 | 6 |
| | M10310N | 12 |
| | M10440N | 18 |
| | VEFM10 | 12 |





ET3837



U38109

| Réf | Qté |
|--------------|-----|
| ET3837OF | 1 |
| LI4505 | 3 |
| M10310N | 5 |
| M10440N | 11 |
| MI4700 | 2 |
| U38109 | 1 |
| VCBHCM10x30I | 7 |
| VEFM10 | 7 |
| VTH6x30A | 4 |

