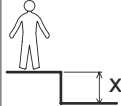
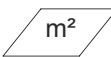




2 → 10

ProLudic

N°		
1	0.6 m	15 m ²
2	1 m	8 m ²

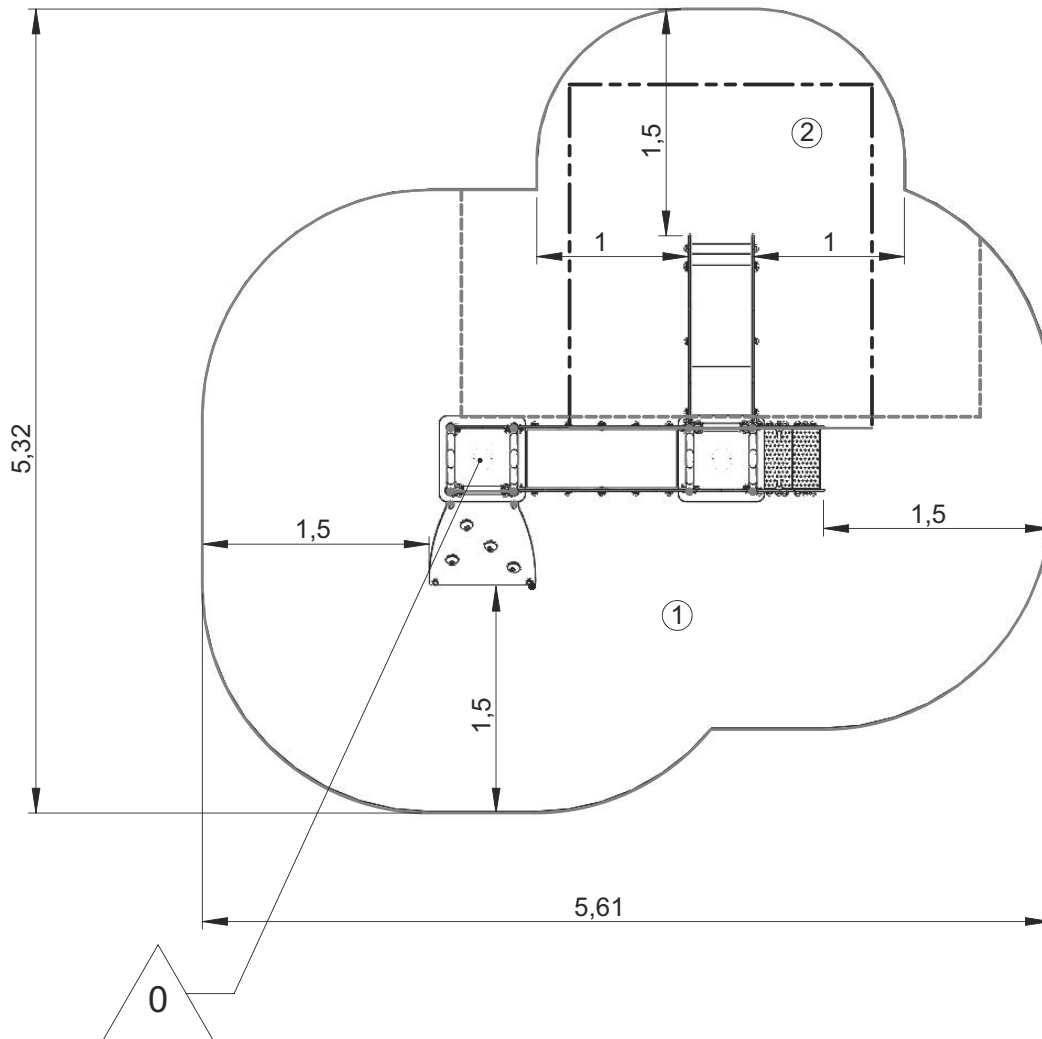
— Zone d'impact
Impact area
Area de impacto
Fallraum
Valzone

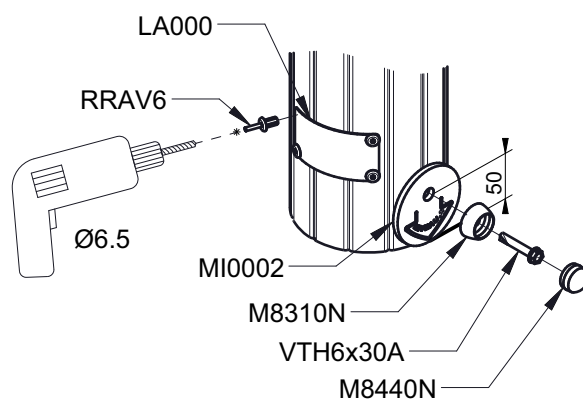
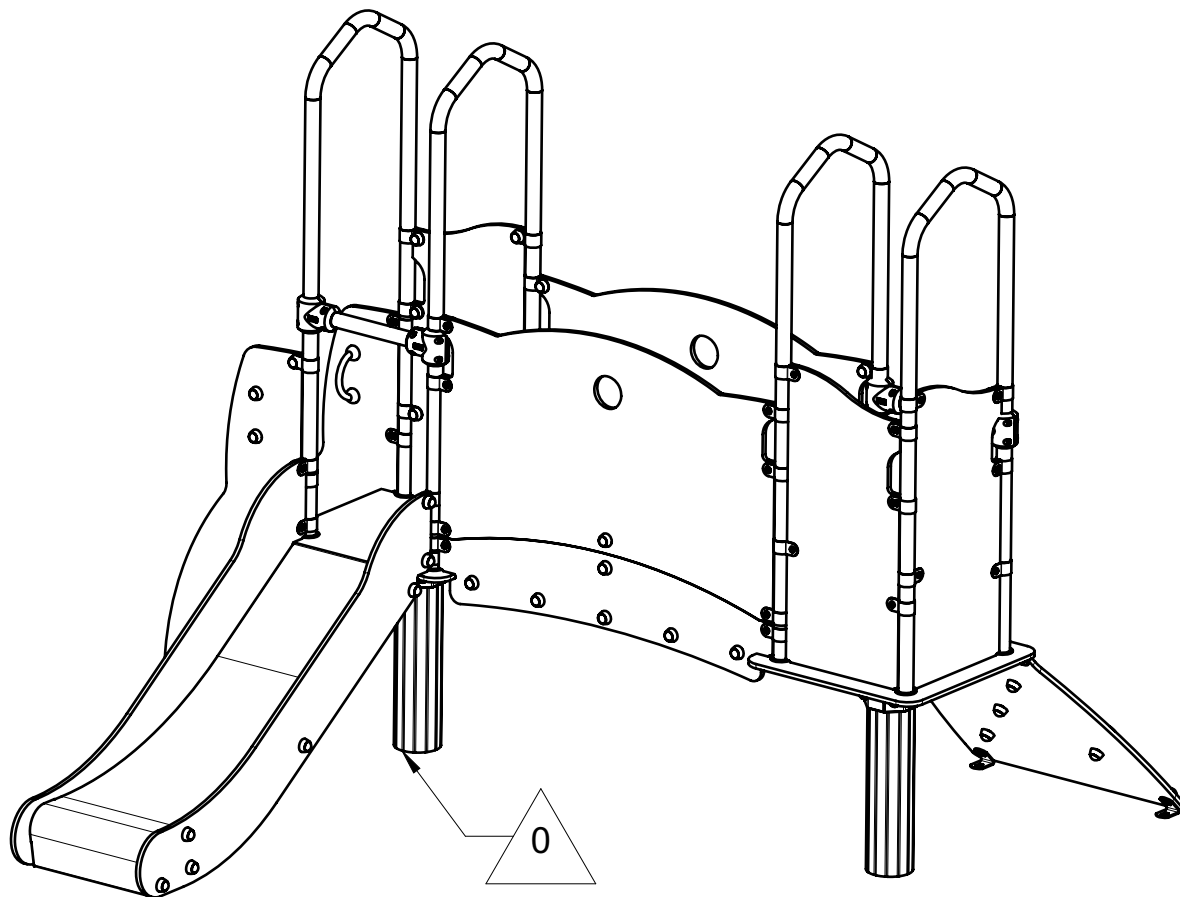


Point de référence
Setting out point
Punto de referencia
Bezugspunkt
Referentiepunt

- - - Espace libre
Free space
Espacio libre
Freiraum
Vrije ruimte

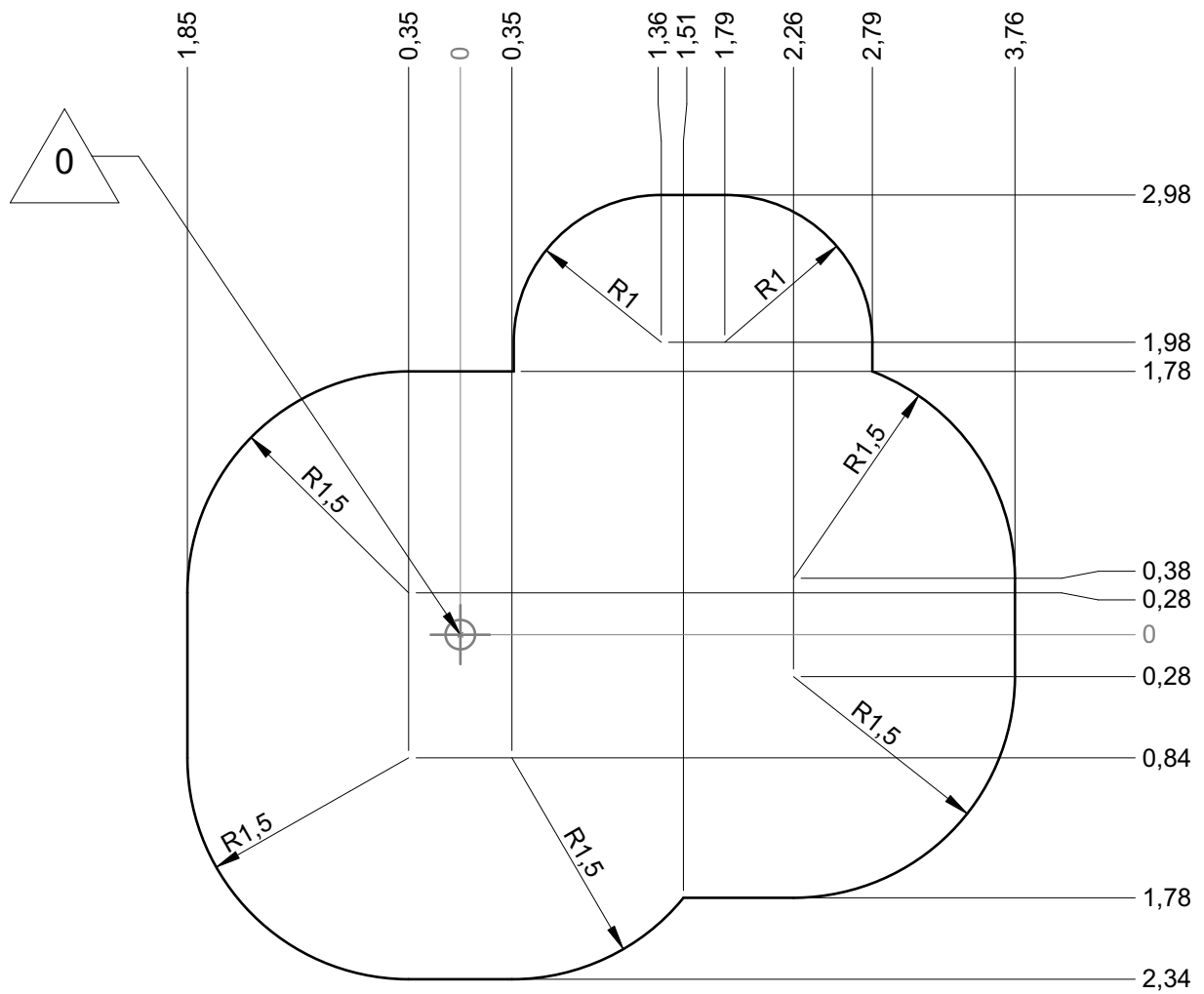
EN1176-1:2017
EN1176-3:2017





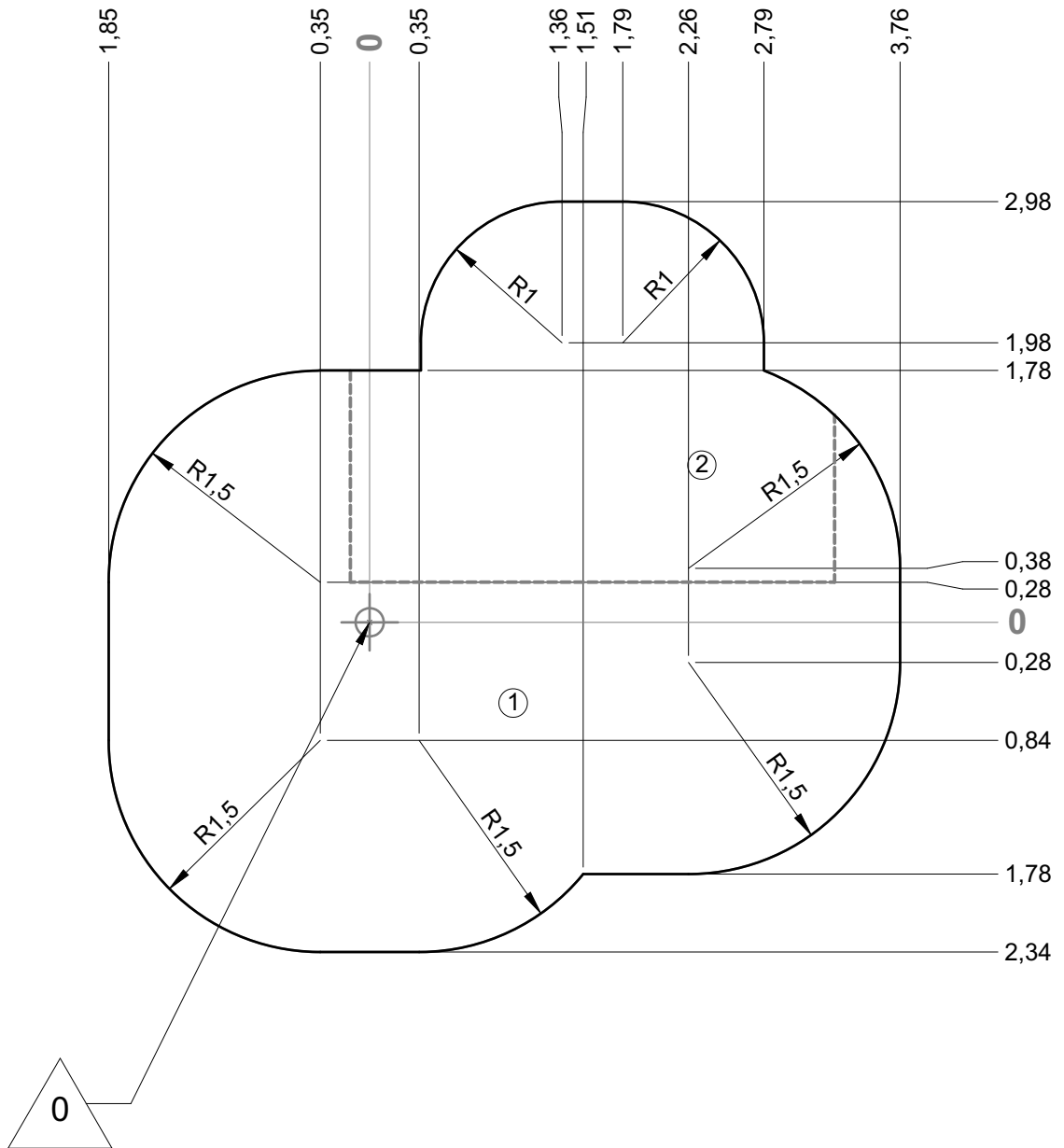
— Zone d'impact
 Impact area
 Area de impacto
 Fallraum
 Valzone

23 m²



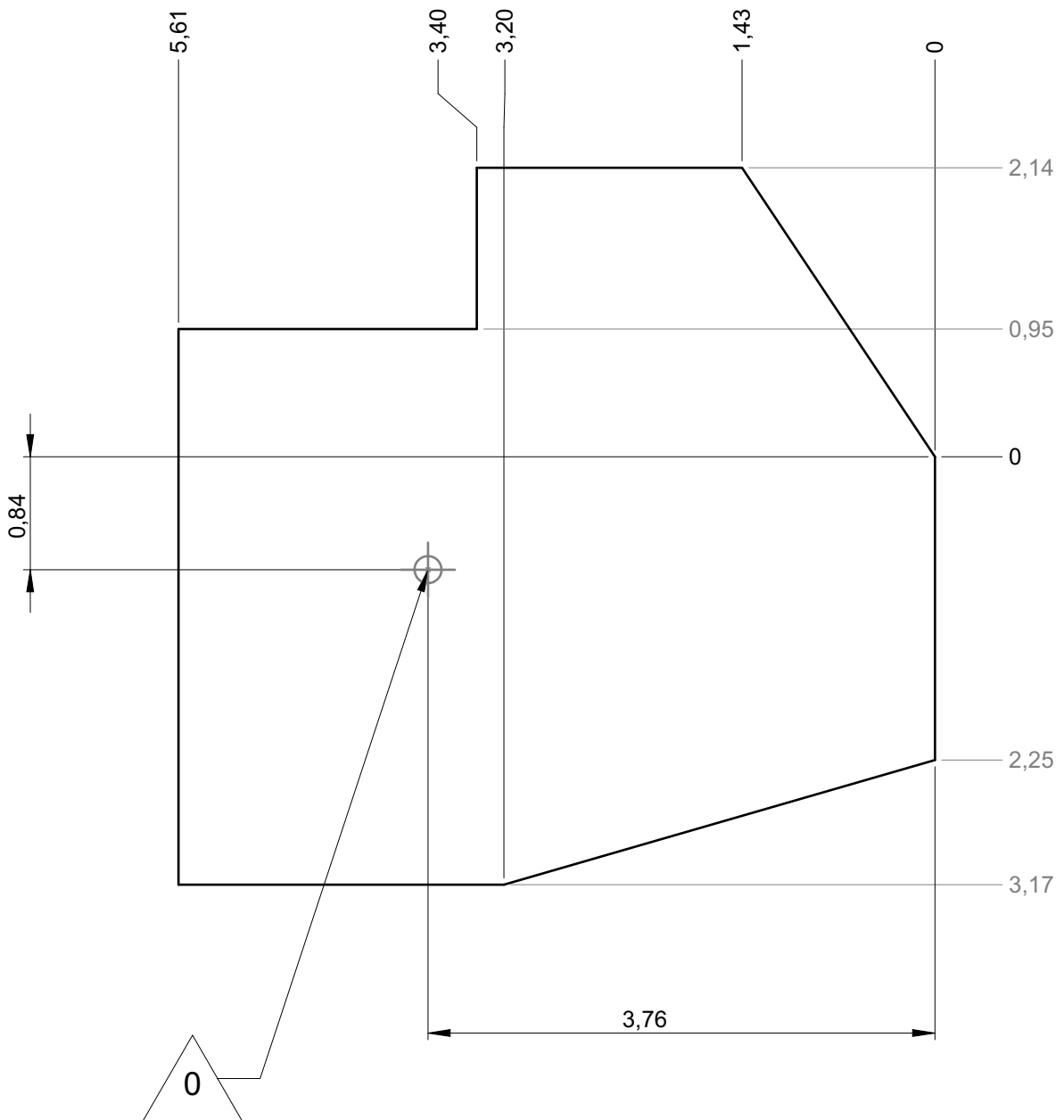
— Sol souple
 Wepour
 Caucho continuo
 Synthetischer fallschutz
 Gietvloer

23 m²

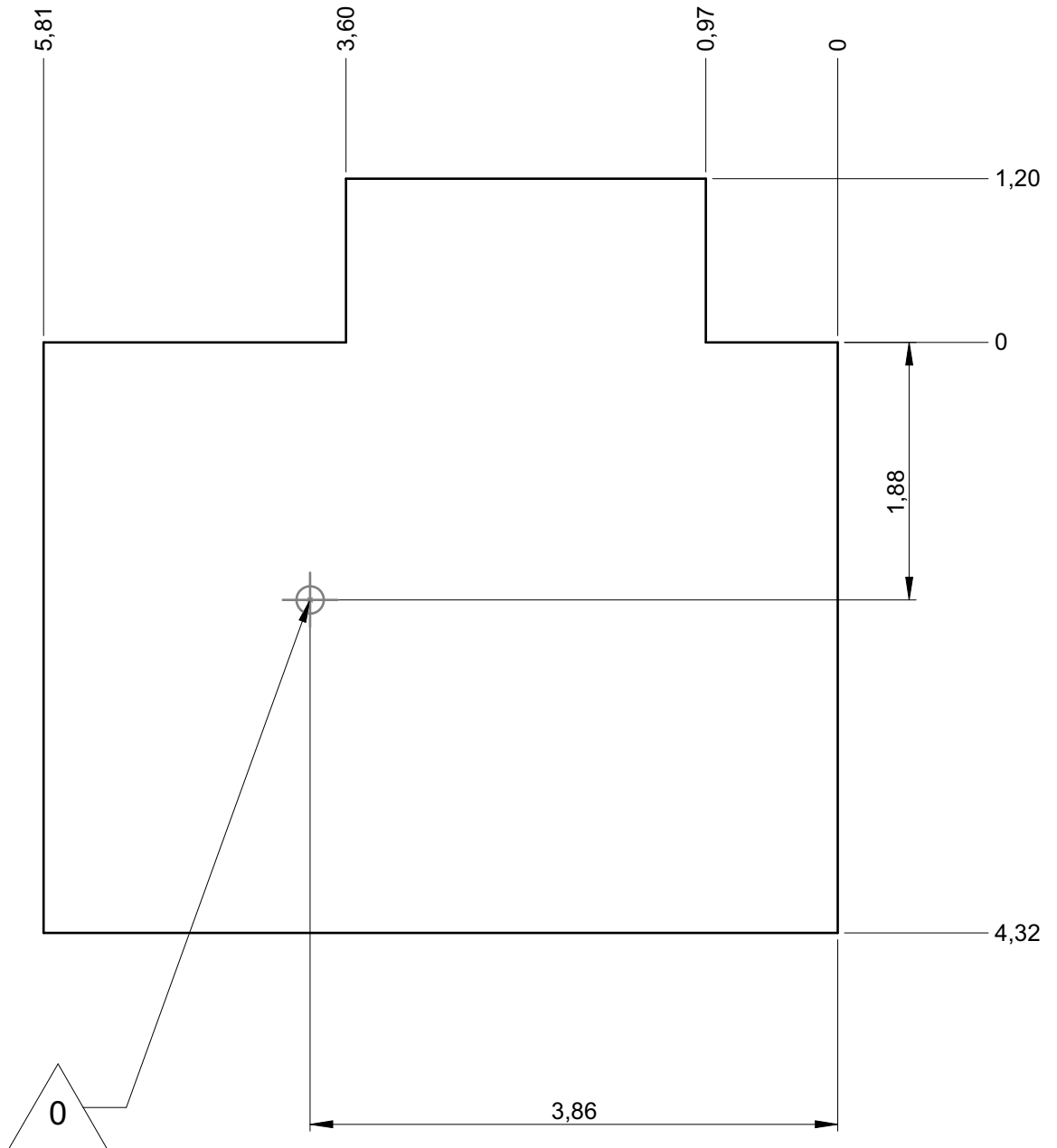


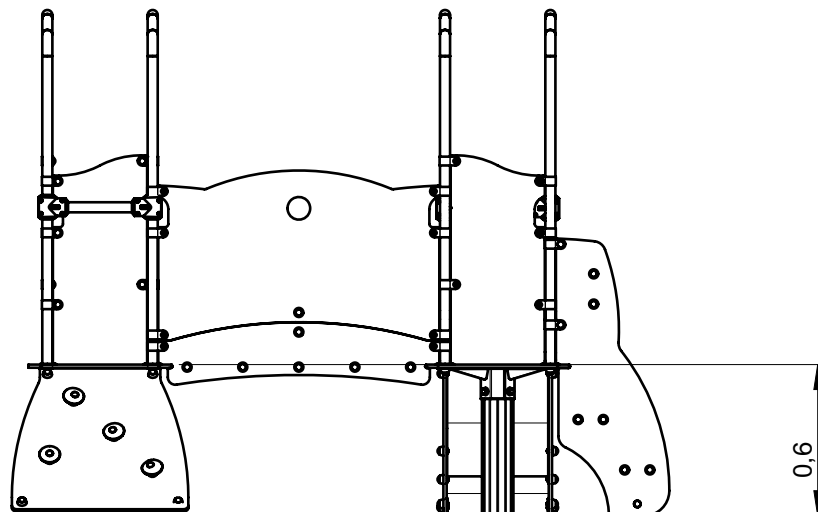
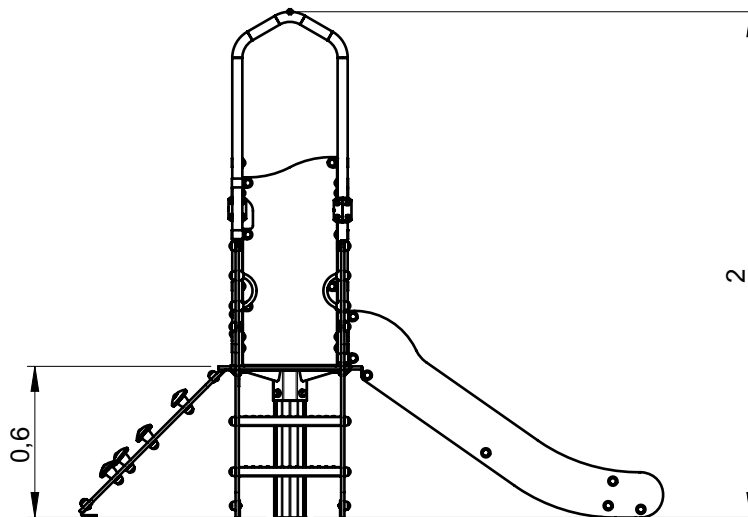
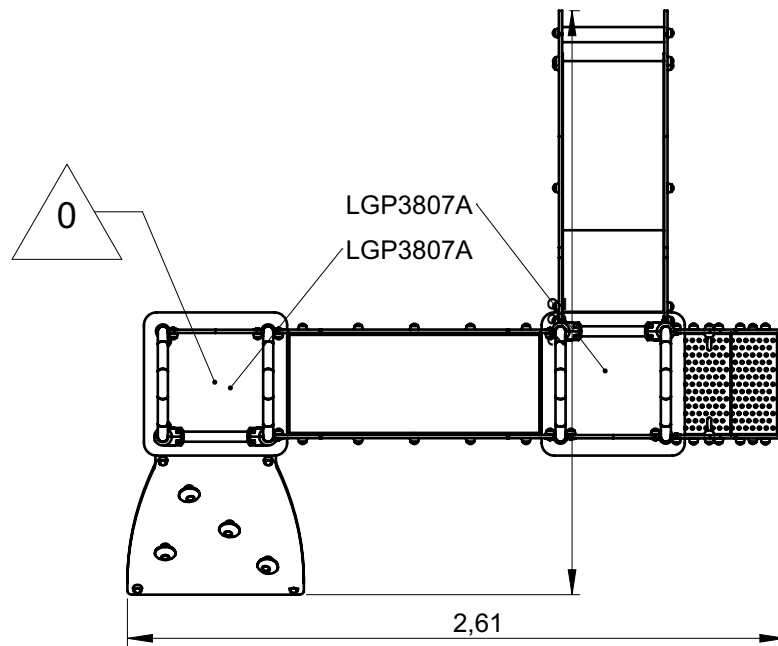
— Dalle béton
 Concrete pad
 Solera de hormigon
 Beton bodenplatte
 Betonnen bodemplaat

20 m
 25 m²



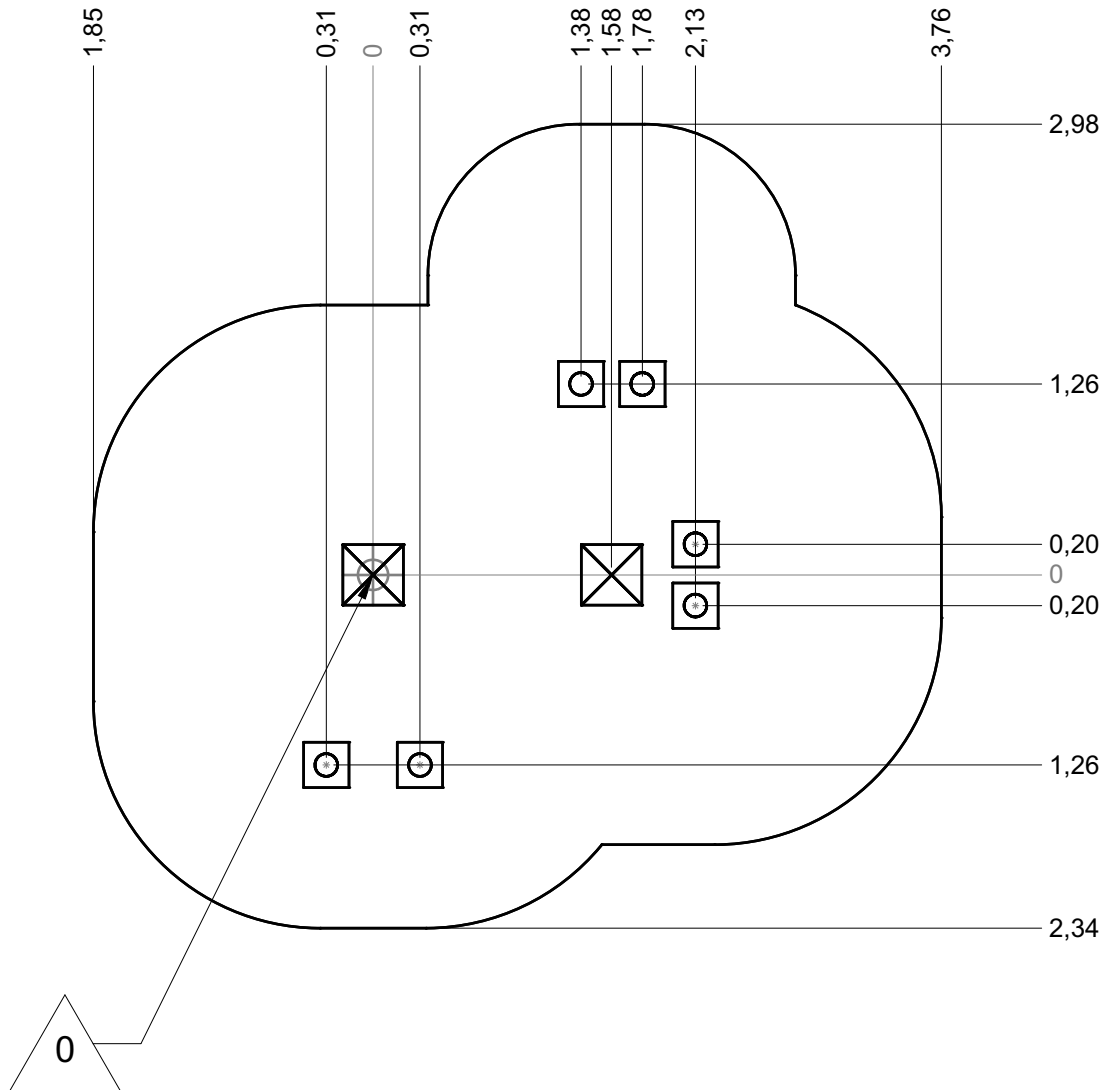
— Sol fluent
 Loos partucule material 23 m
 Arenero
 Loses Bodenmaterial 29 m²
 Los bodemmaterial



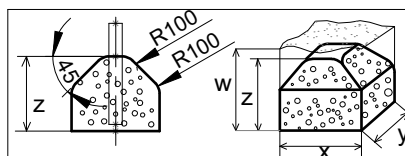


J3850A-C

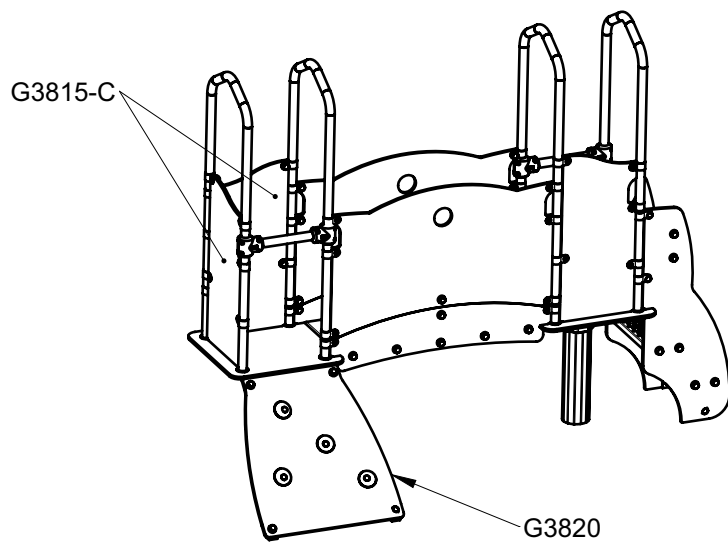
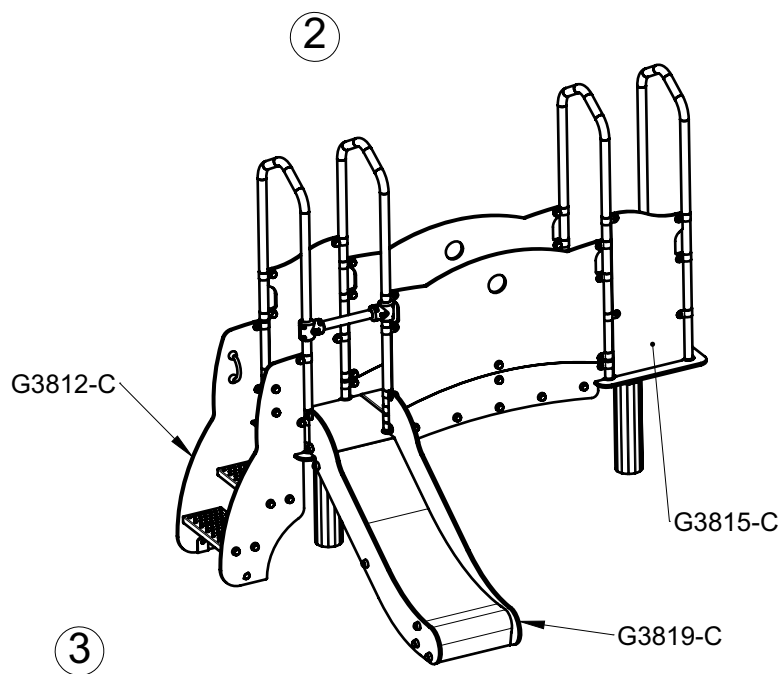
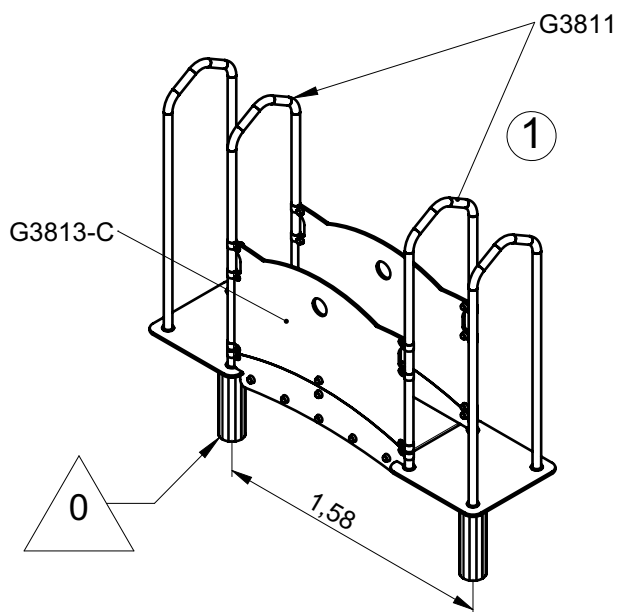
Implantation
 Footing plan
 Implantación
 Fundamentplan
 Funderingstekening

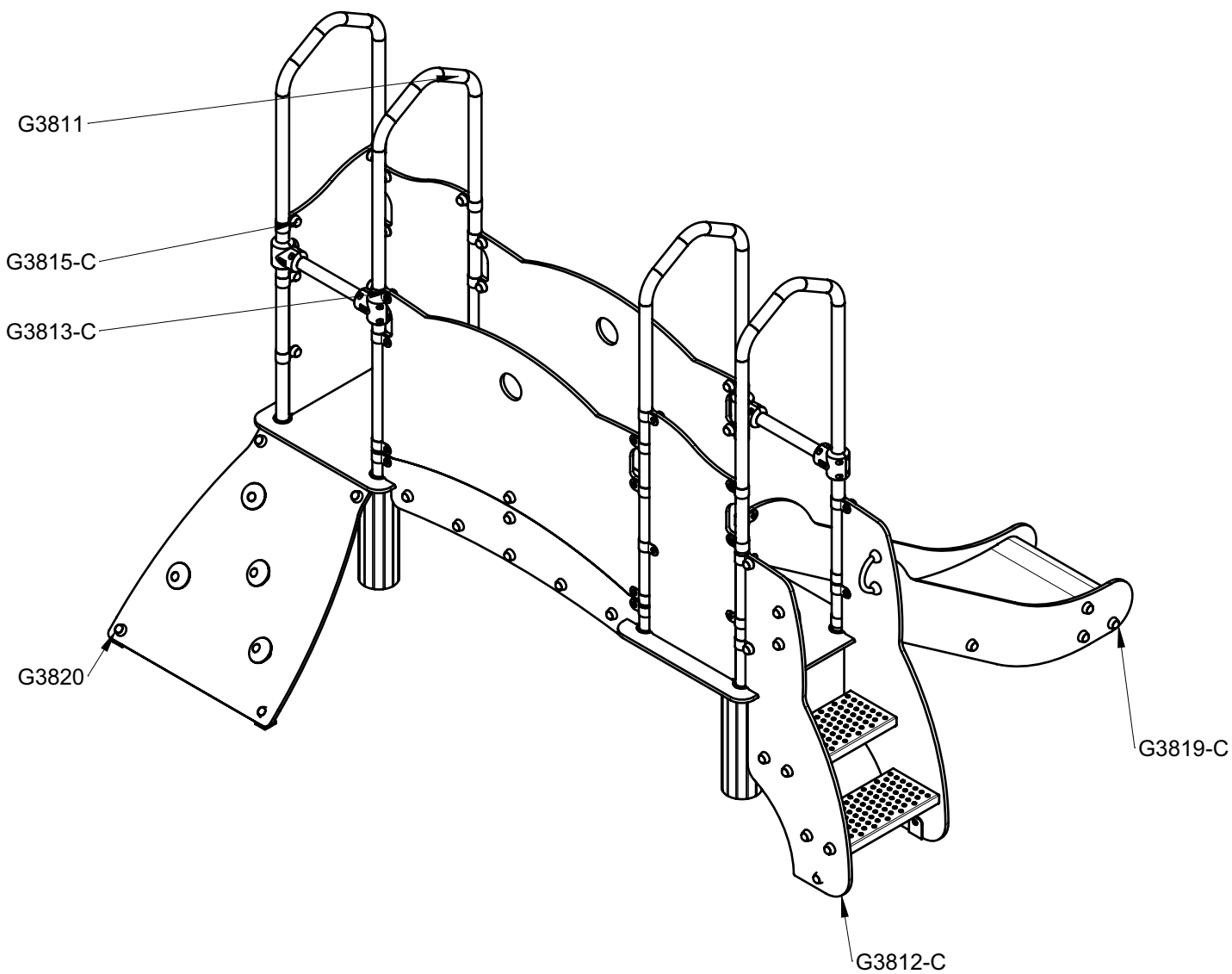


x2	8H	0.15 m ³

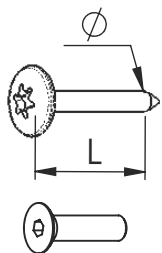


	x	y	z	w
	0.3	0.3	0.3	0.6
	0.4	0.4	0.3	0.6
	0.6	0.3	0.3	0.6





Réf	Qté
G3820	1
G3812-C	1
G3815-C	3
G3811	2
G3813-C	1
G3819-C	1



VBT 6 x 30
 \varnothing \uparrow L (mm)

VFHC



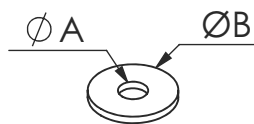
VEC M10
 \varnothing



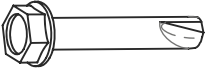
VEF




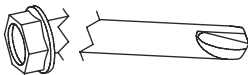
VEB



VR6x18
 $\varnothing A$ $\varnothing B$




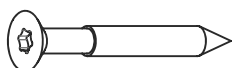
VTHA

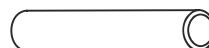
1000 - 1800 tr/min
 Vitesse de rotation
 Rotation speed

14 N.m
 Couple de rupture
 Torque of break

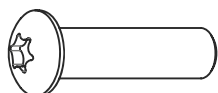




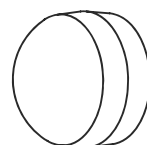
VWT



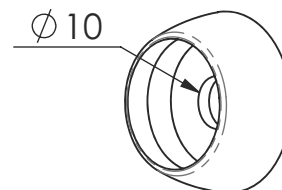
VGC



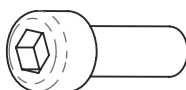
VCBHC



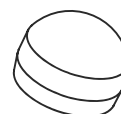
M10 440N



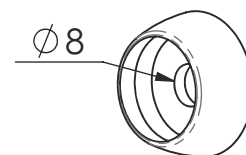
M10 310 N



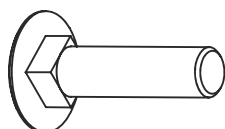
VBTR



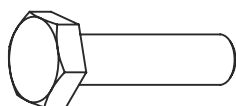
M8440N



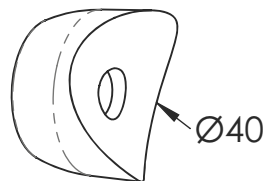
M8310N



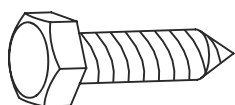
VTRCC



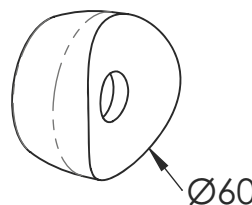
VTH



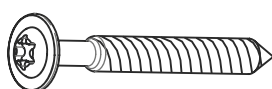
MI2503



VTF



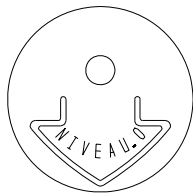
MI2701



VBT

A

Proludic



MI0002

VCBHCM10

M10310N
VEFM10
M10440N

LG08

M10440N
VEFM10
MI2503

LG3802

M10440N
VTH10*80
MI2503

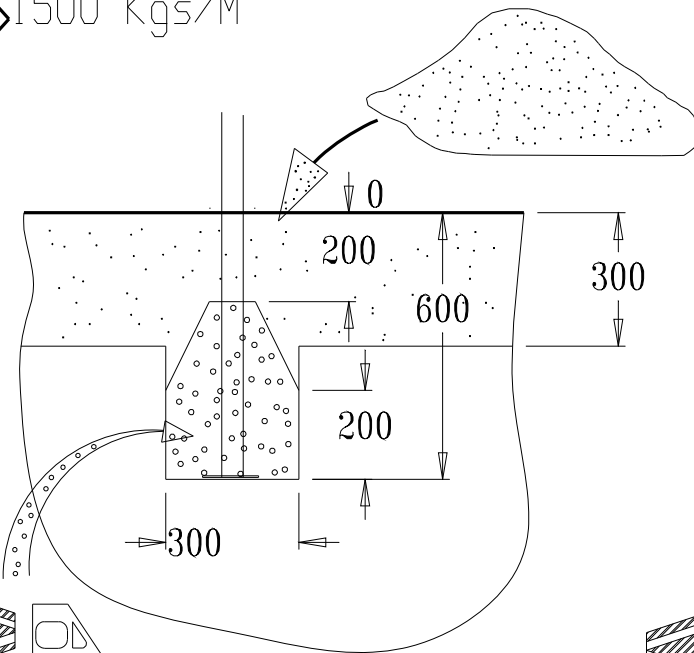
LG3804



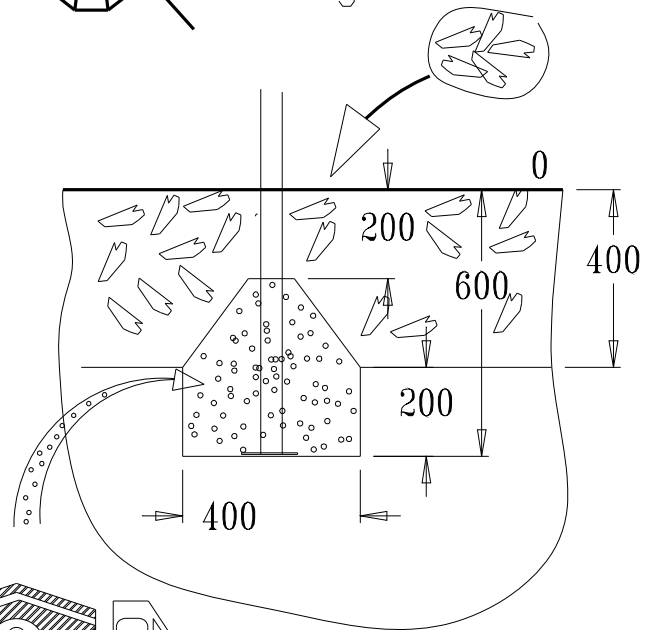
> 1500 Kgs/M³



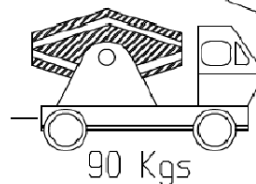
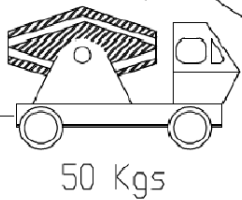
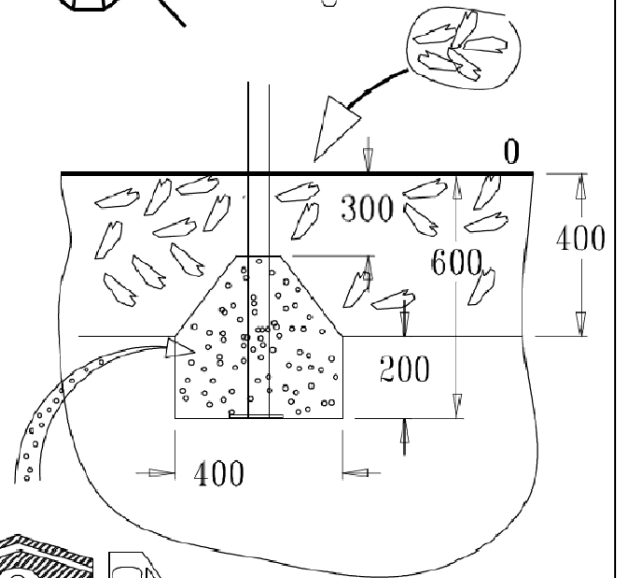
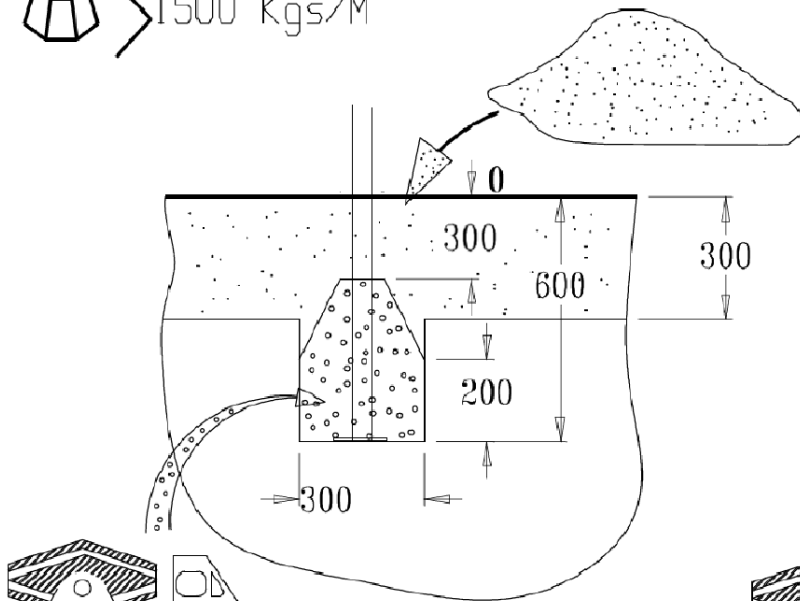
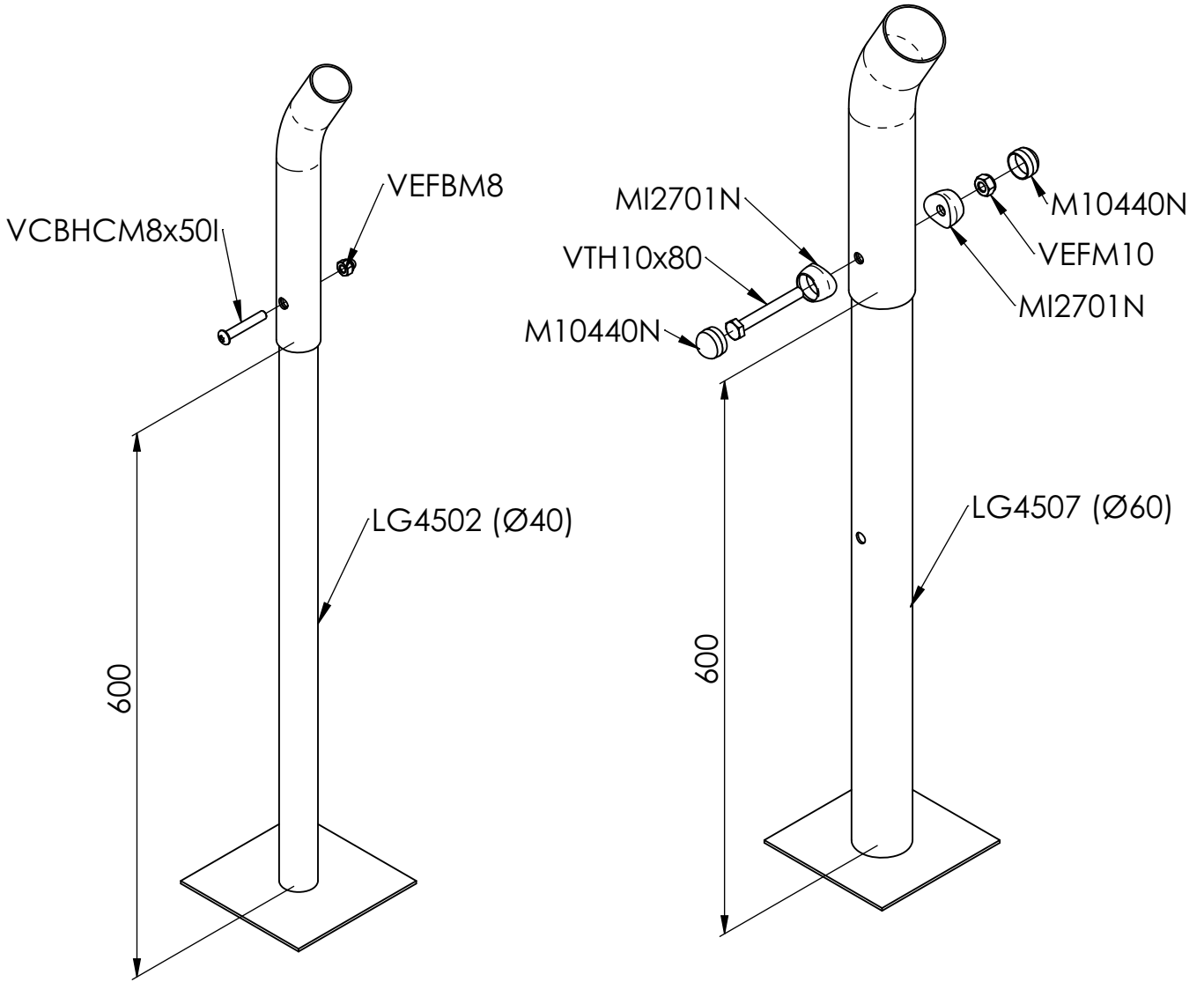
< 1500 Kgs/M³

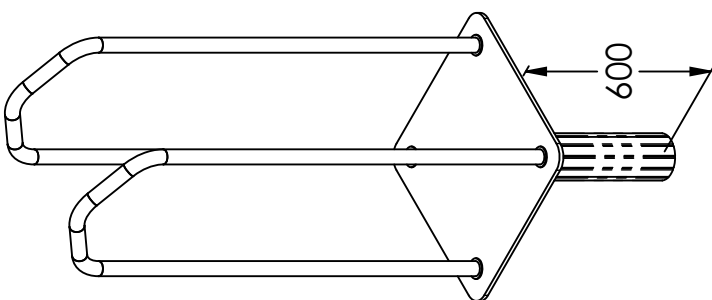


50 Kgs

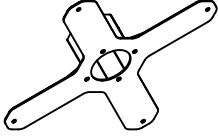


90 Kgs

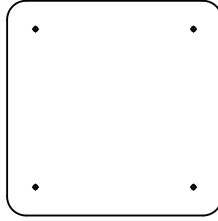




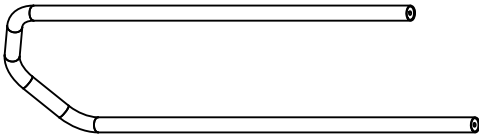
LG3810



FT3815



L13836



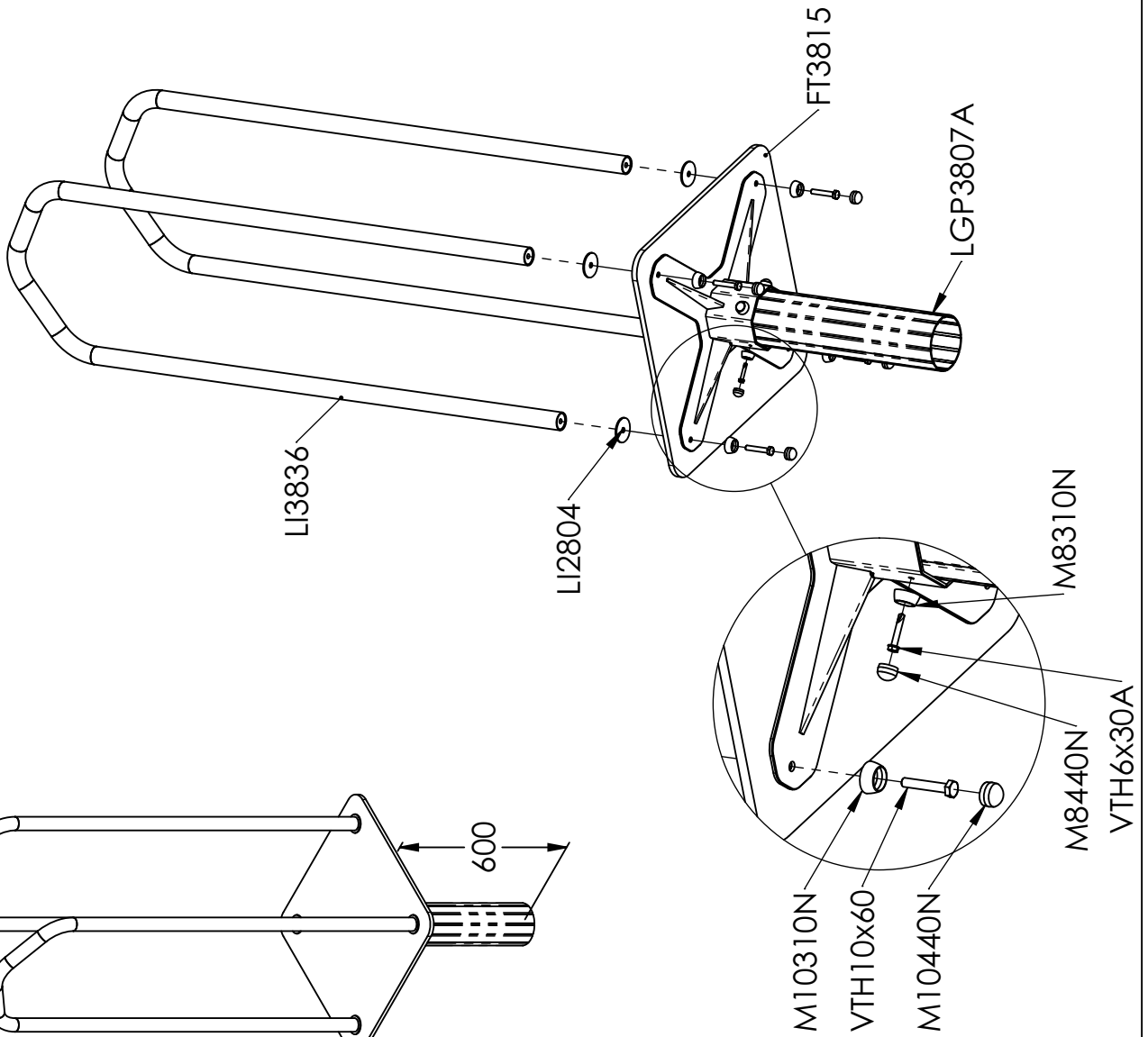
LGP3807A



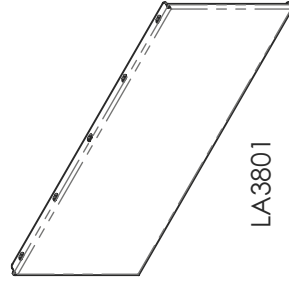
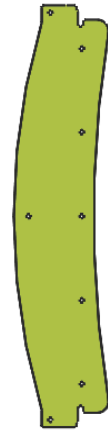
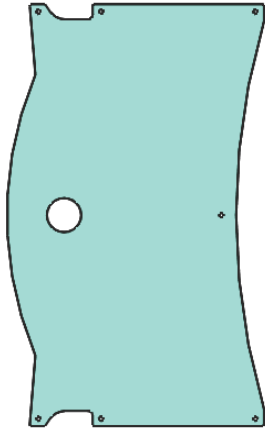
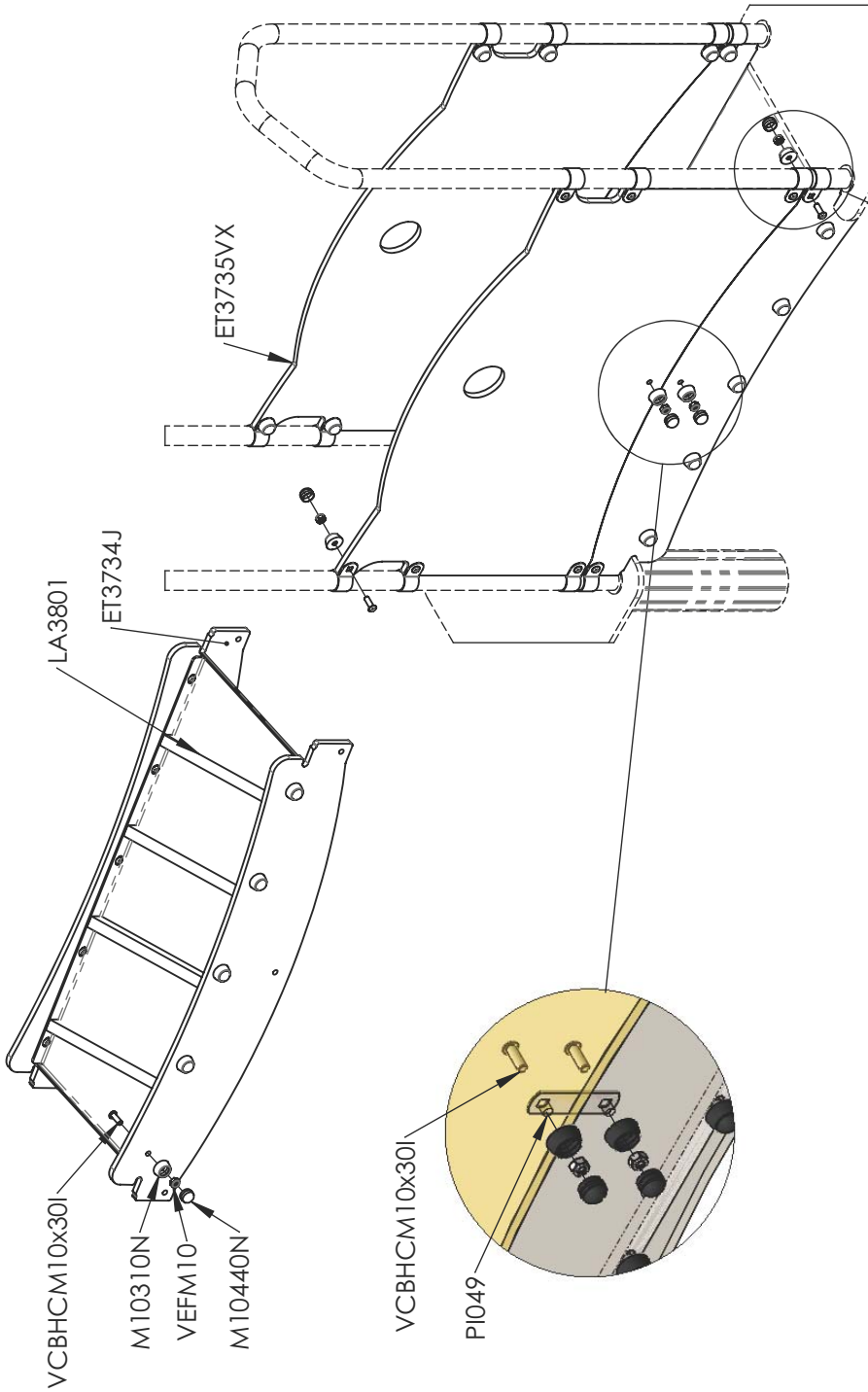
ϕ 60



L12804



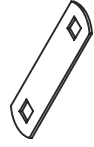
Réf	Qte
FT3815	1
LG3810	1
LGP3807A	1
LI2804	4
LI3836	2
M8310N	4
M8440N	4
M10310N	4
M10440N	4
VTH6x30A	4
VTH10x60	4



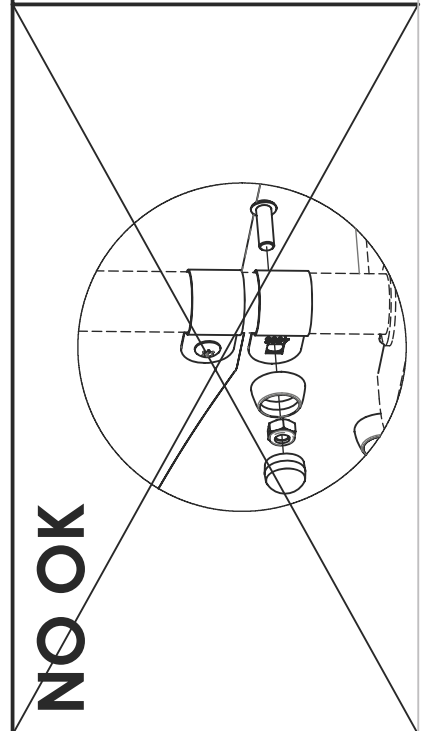
LI4505

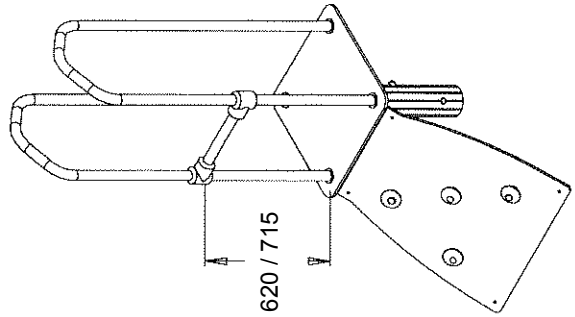
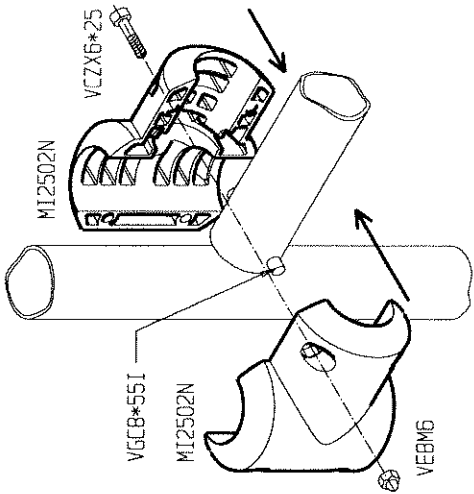
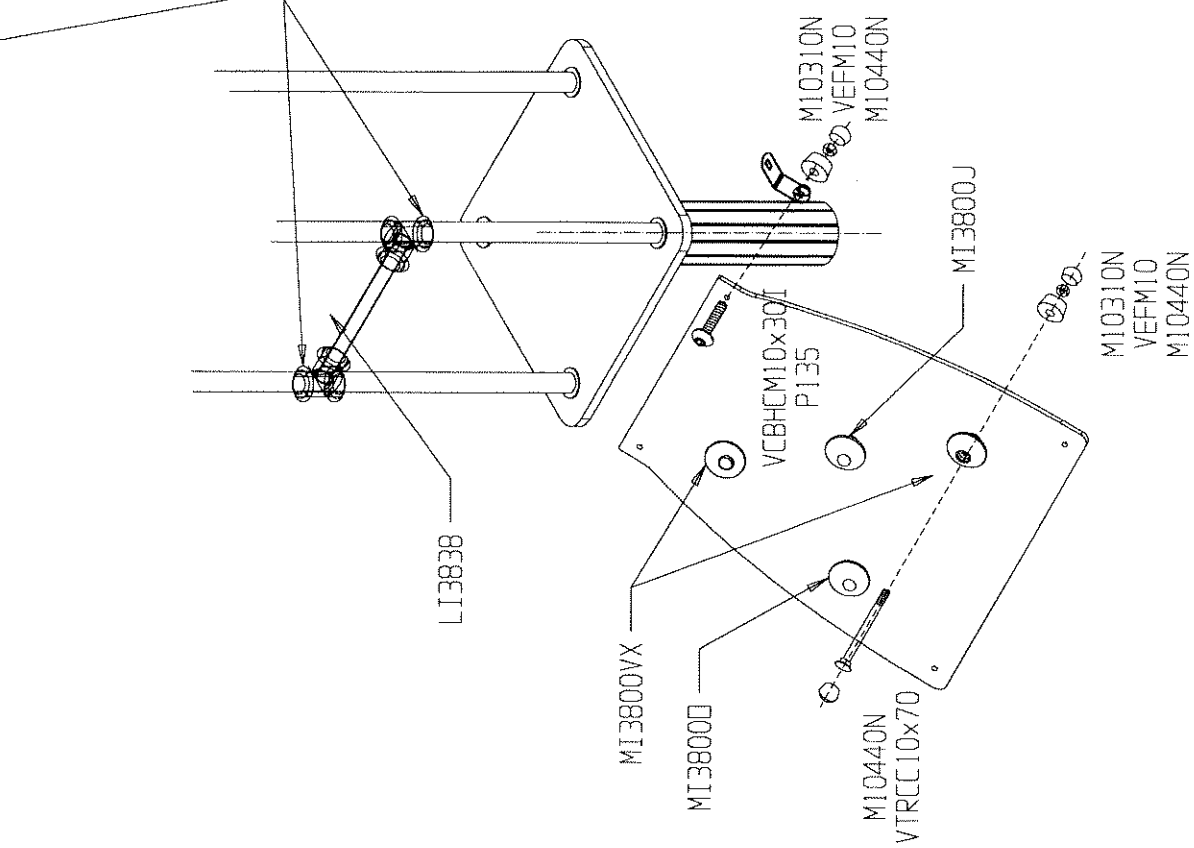


PI049



Réf	Qté
ET3734J	2
ET3735VX	2
LA3801	1
LI4505	16
M10310N	30
M10440N	30
PI049	2
VCBHCM10x30I	30
VEFM10	30





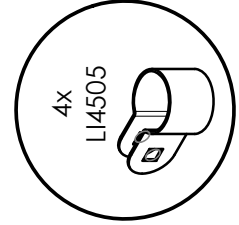
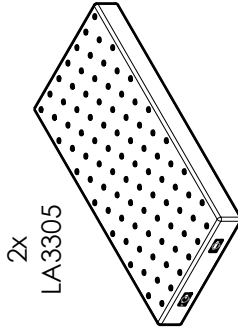
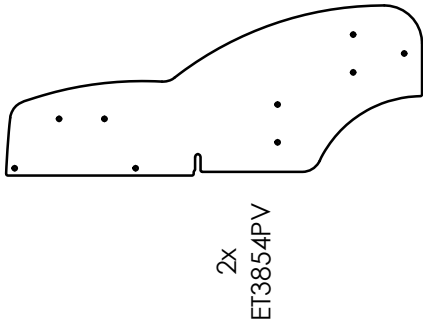
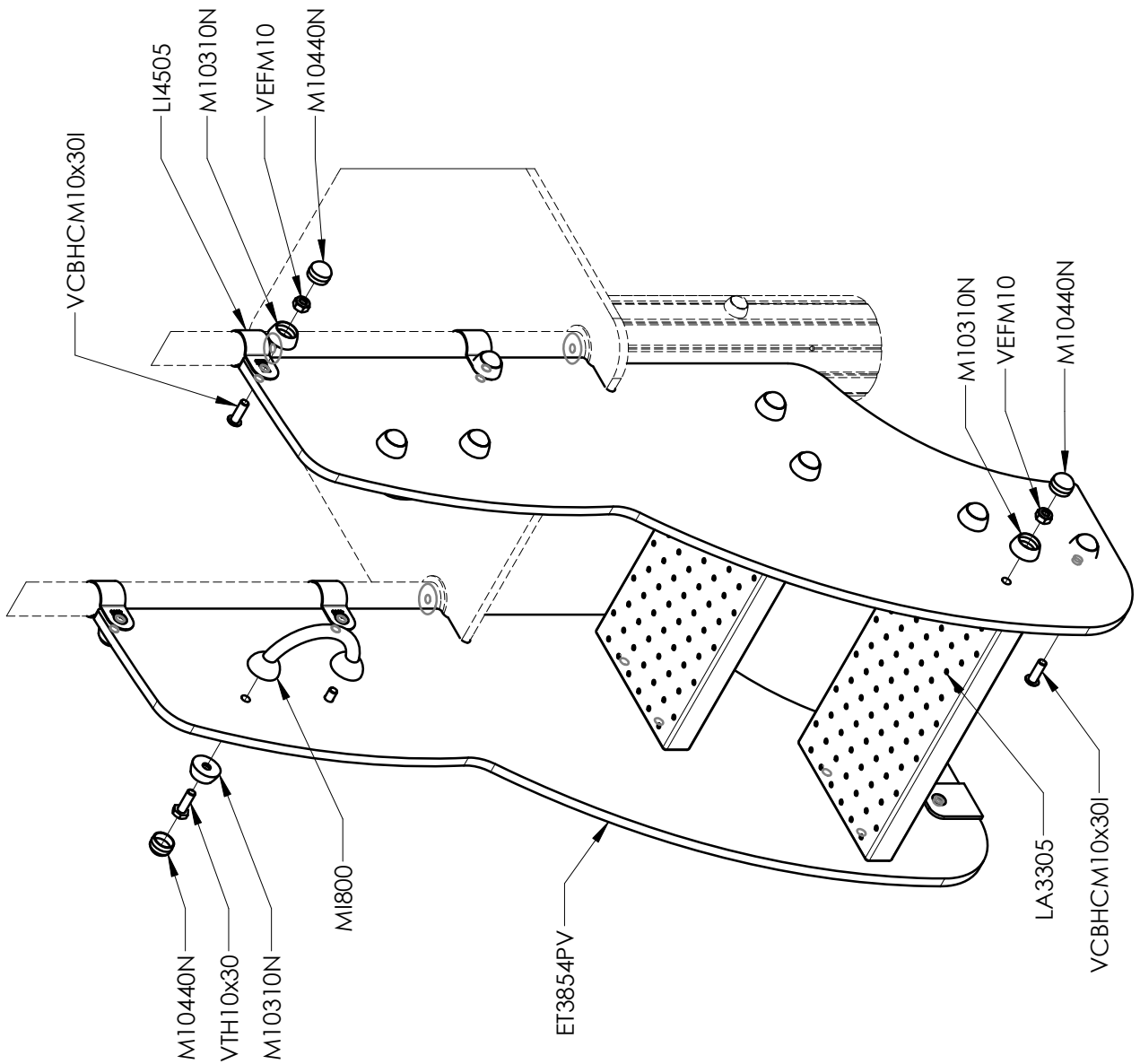
MI3800VXx2
MI3800Jx1
MI3800Jx1

1x FT3821

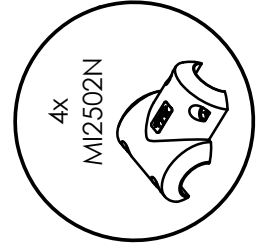
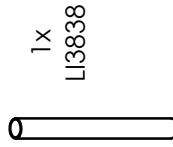
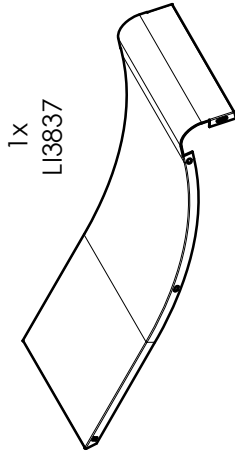
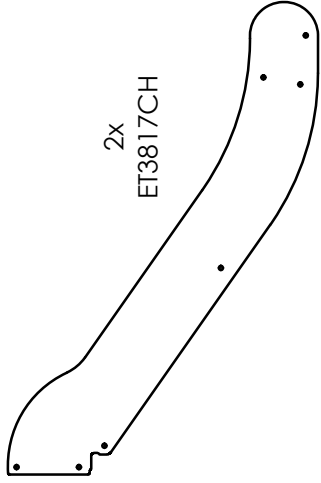
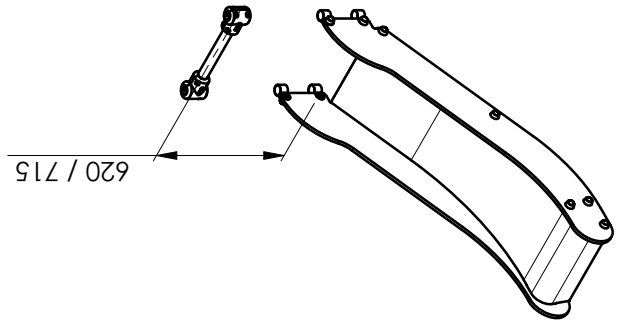
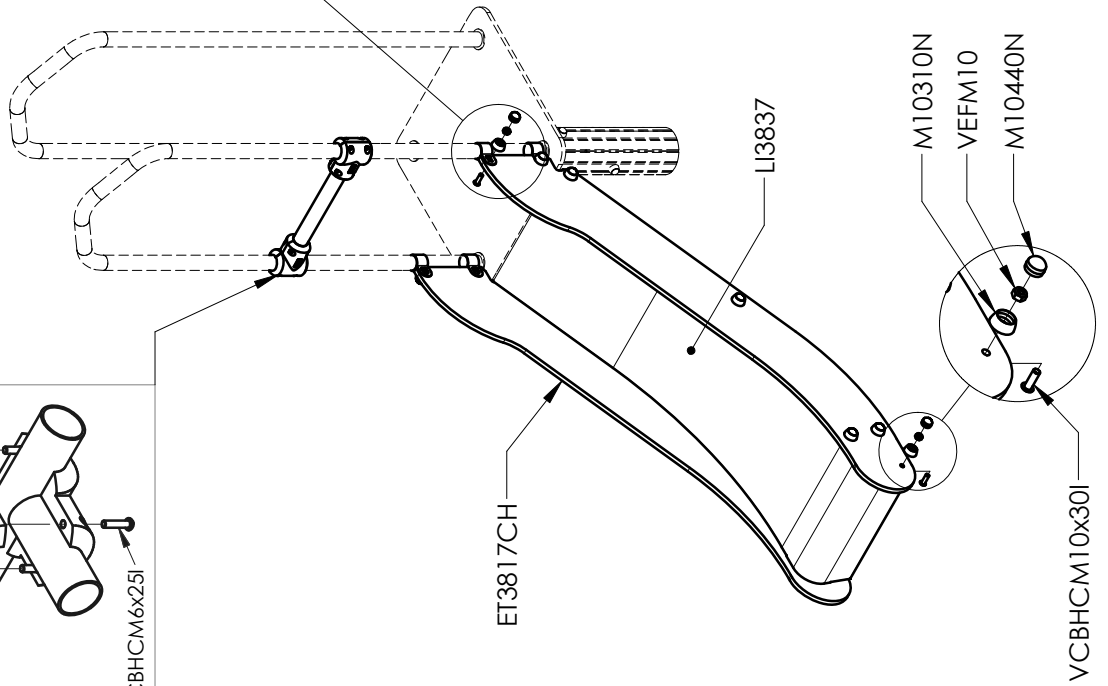
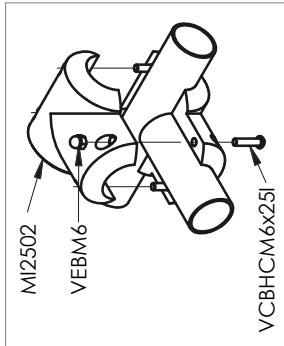
MI2502Nx4

LI3838x1

	MI0310N	6
	MI0440N	10
	VCZY 6x25	8
	VEBM6	8
	VEFM10	6
	VTRCC10x70	4
	VCBHEM10x30I	2
	135° :P135	2
	70 mm	



ET3854PV	2
LA3305	2
LI4505	4
M10310N	18
M10440N	18
M1800	2
VCBHCM10x30I	14
VEFM10	14
VTH10x30	4



ET3817CH	2
LI3837	1
LI3838	1
LI4505	4
M10310N	14
M10440N	14
MI2502N	4
VCBHCM6x25I	8
VCBHCM10x30I	14
VEBM6	8
VEFM10	14

