

N°		m ²
1	0.6 m	5.5 m ²
2	1 m	5 m ²
3	1.17 m	17.5 m ²
4	1.8 m	12.5 m ²

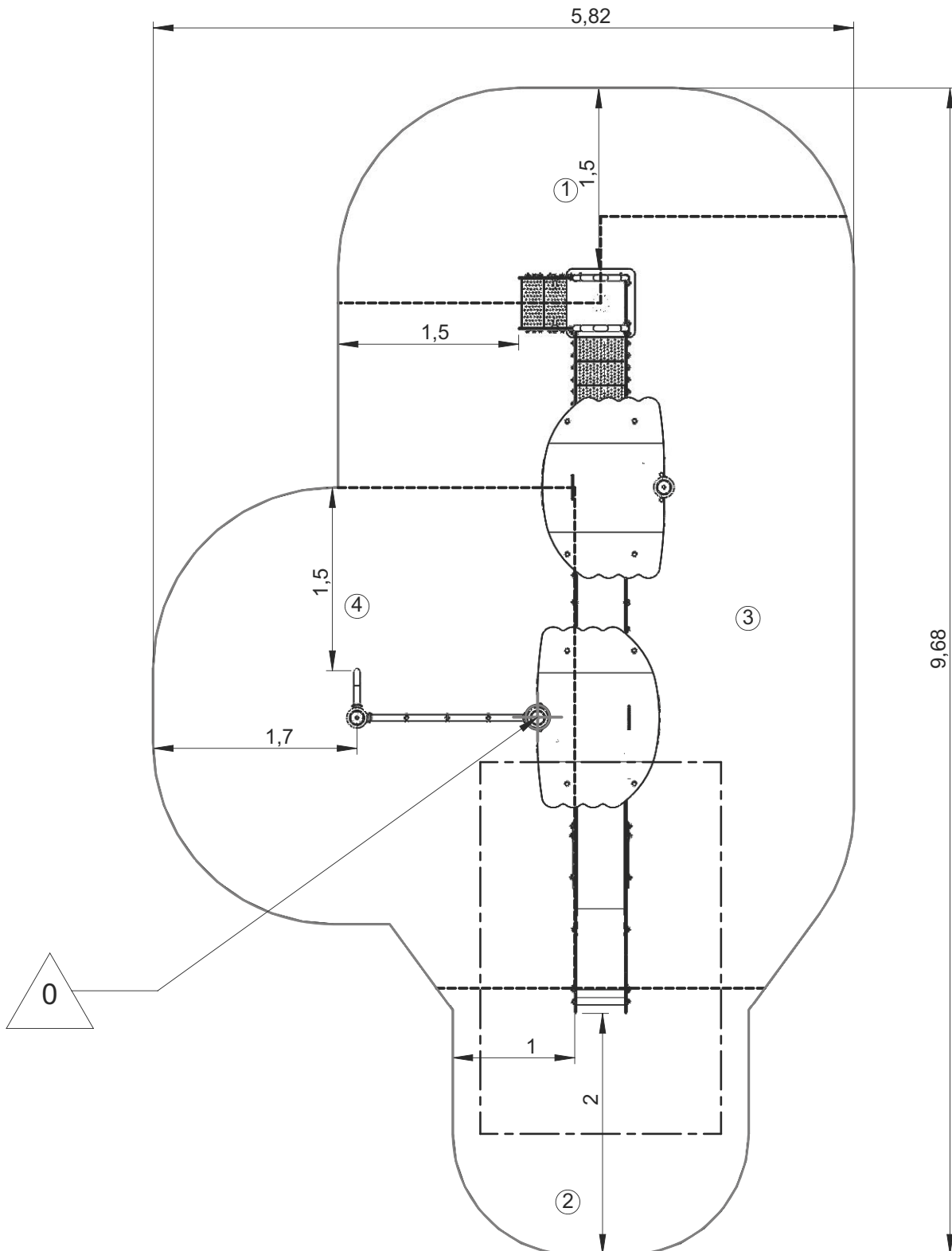
— Zone d'impact
Impact area
Area de impacto
Fallraum
Valzone

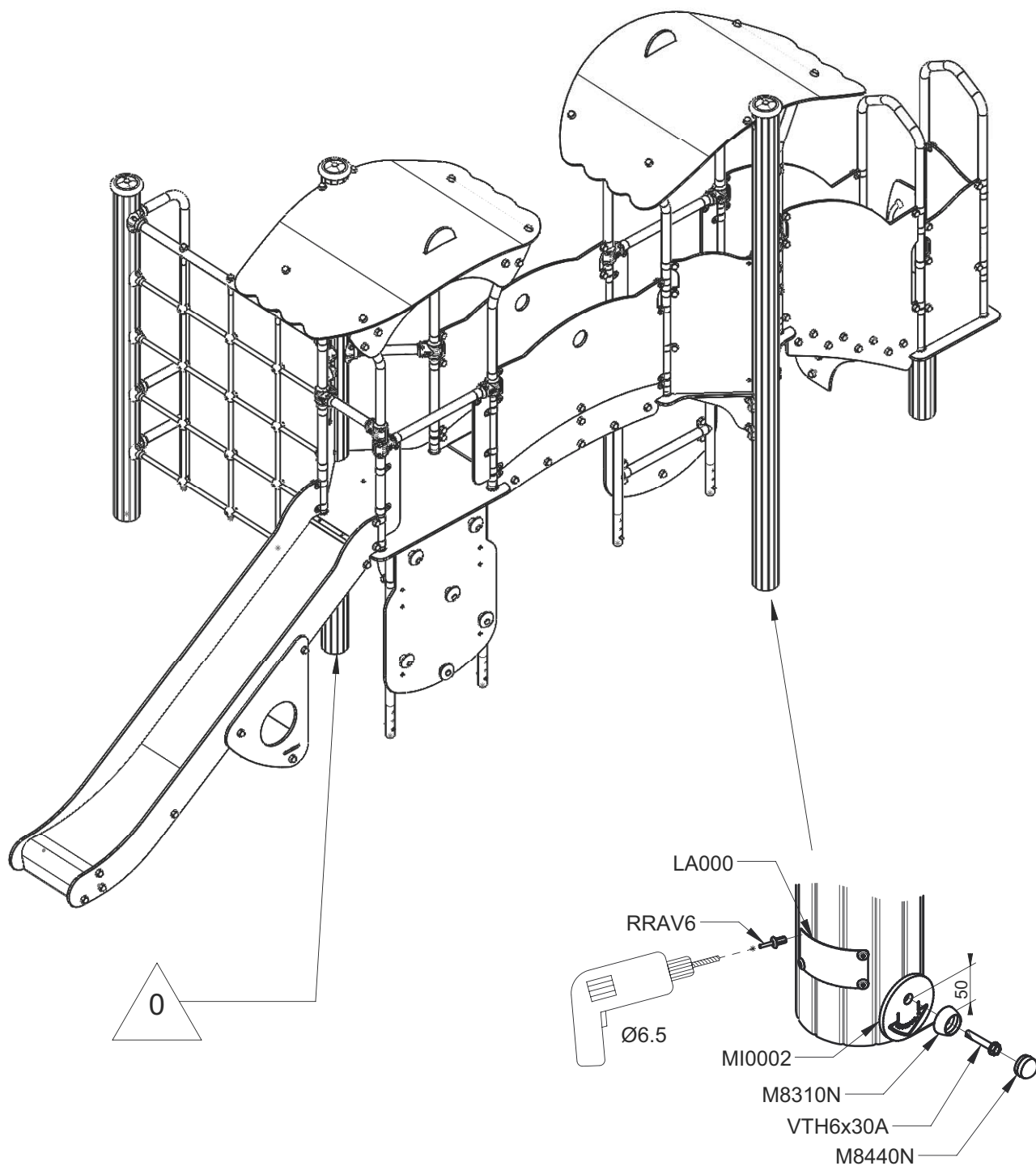


Point de référence
Setting out point
Punto de referencia
Bezugspunkt
Referentiepunt

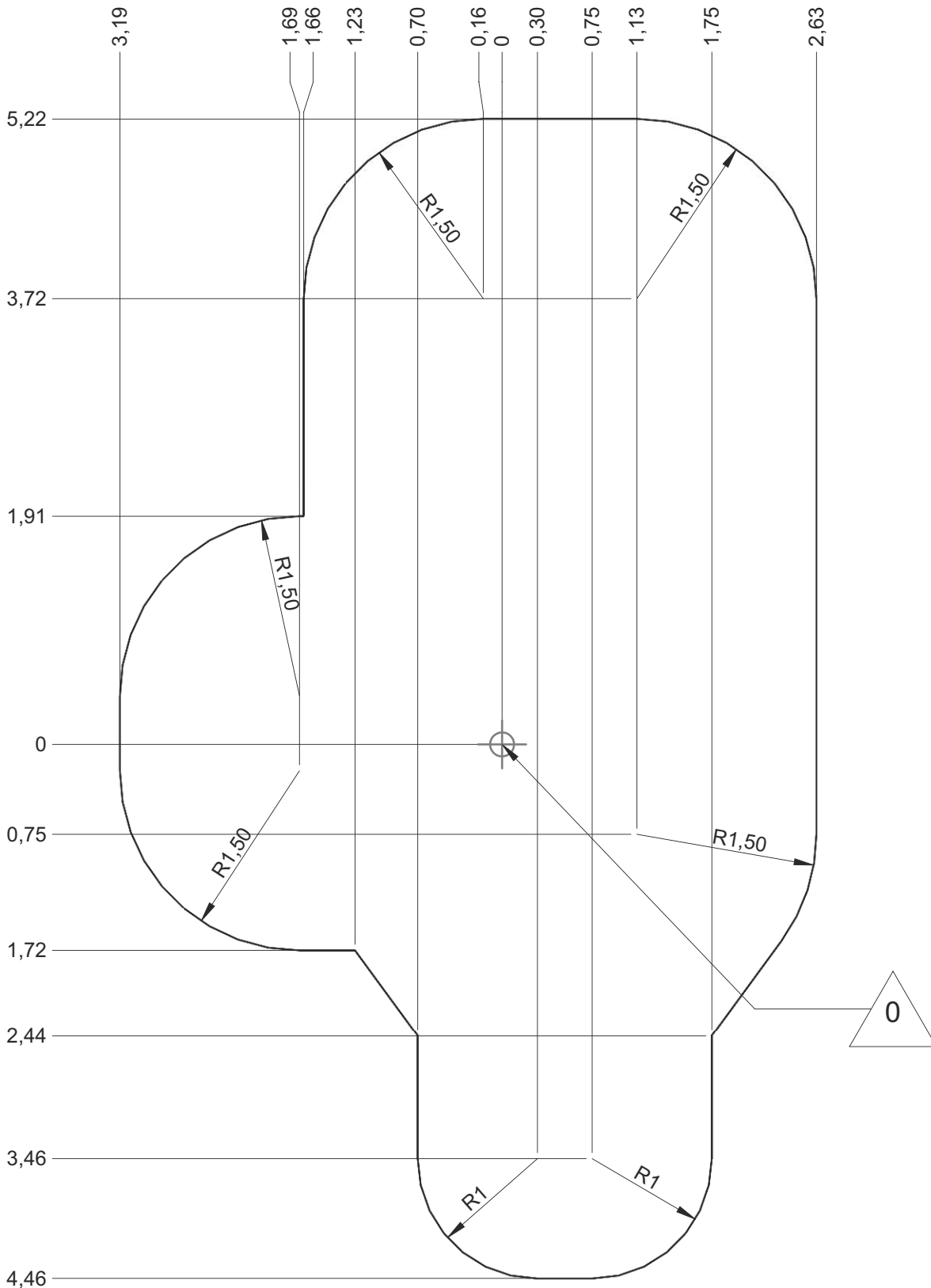
- - - Espace libre
Free space
Espacio libre
Freiraum
Vrije ruimte

EN1176-1:2017
EN1176-3:2017



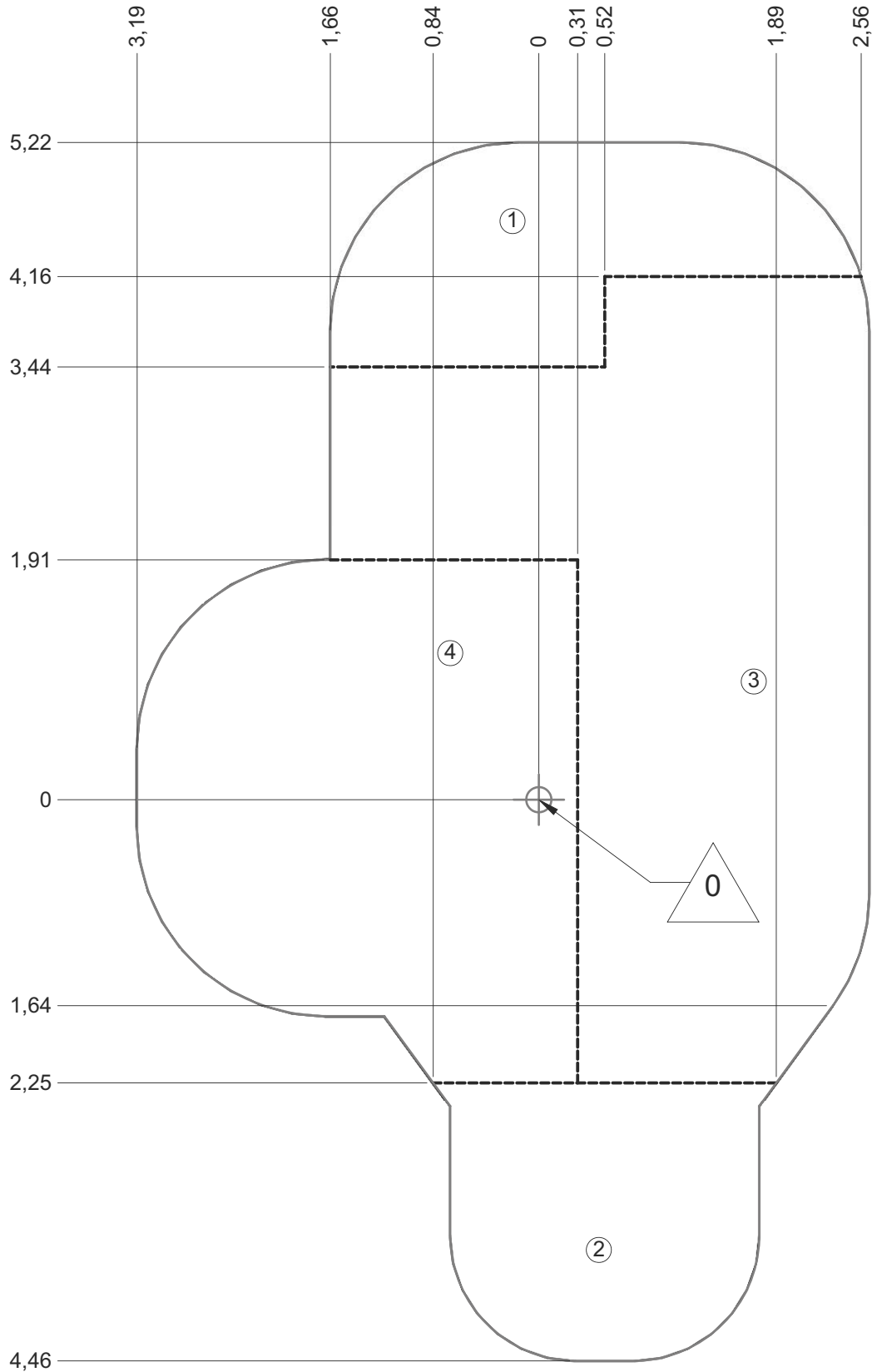


— Zone d'impact
 Impact area
 Area de impacto **40.5 m²**
 Fallraum
 Valzone



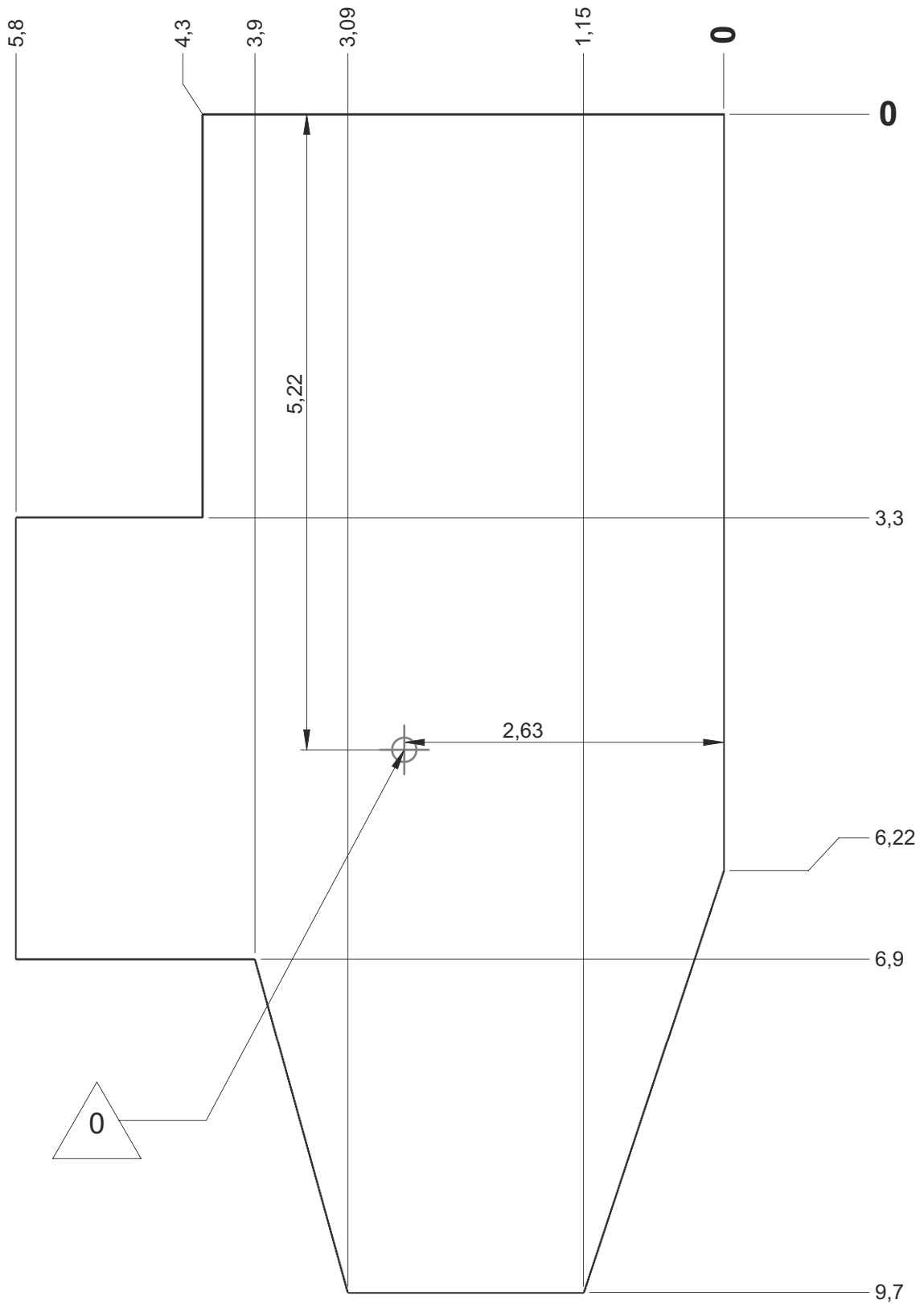
40.5 m²

- Sol souple
- Wetpour
- Caucho continuo
- Synthetischer fallschutz
- Gietvloer

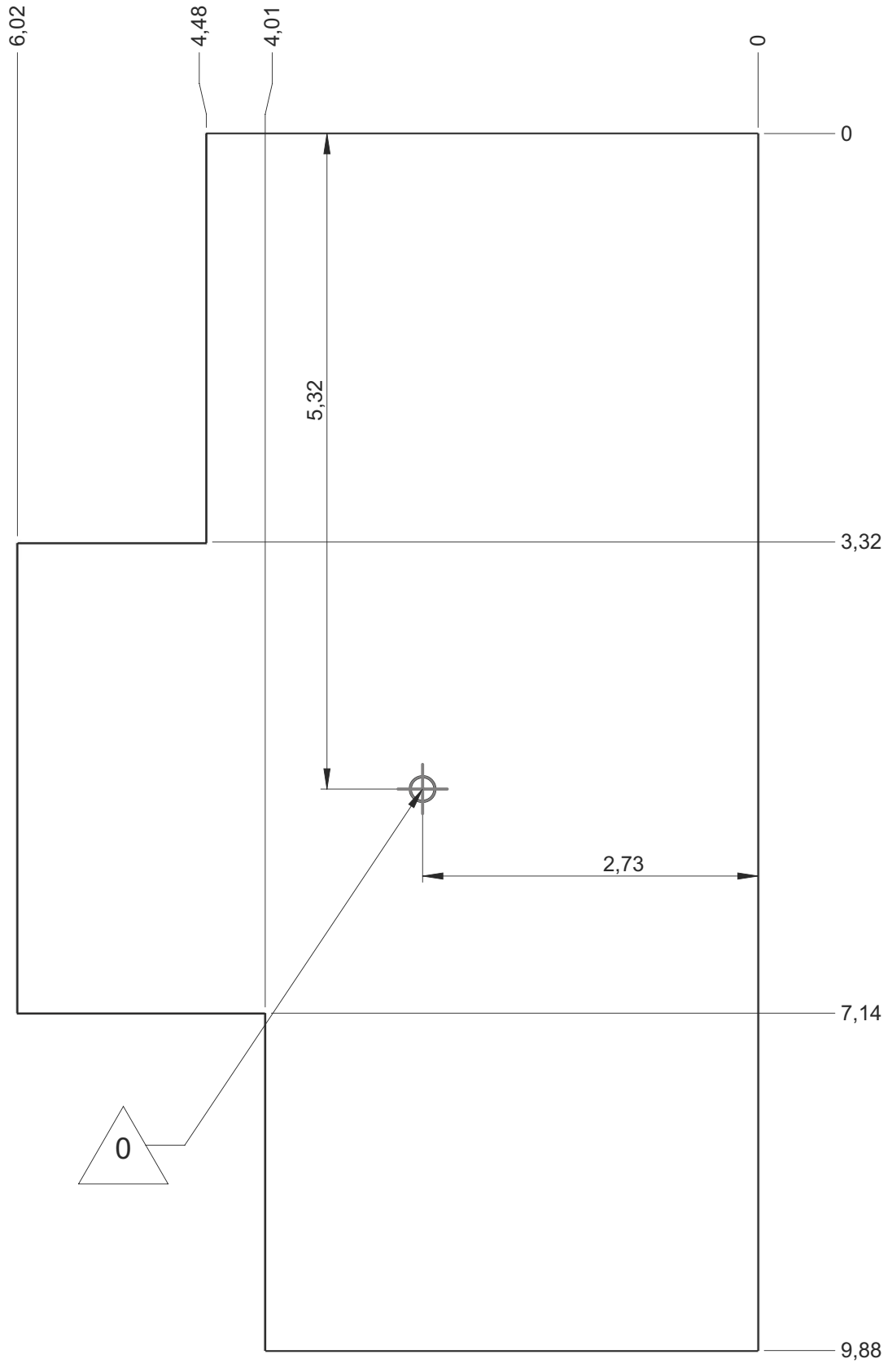


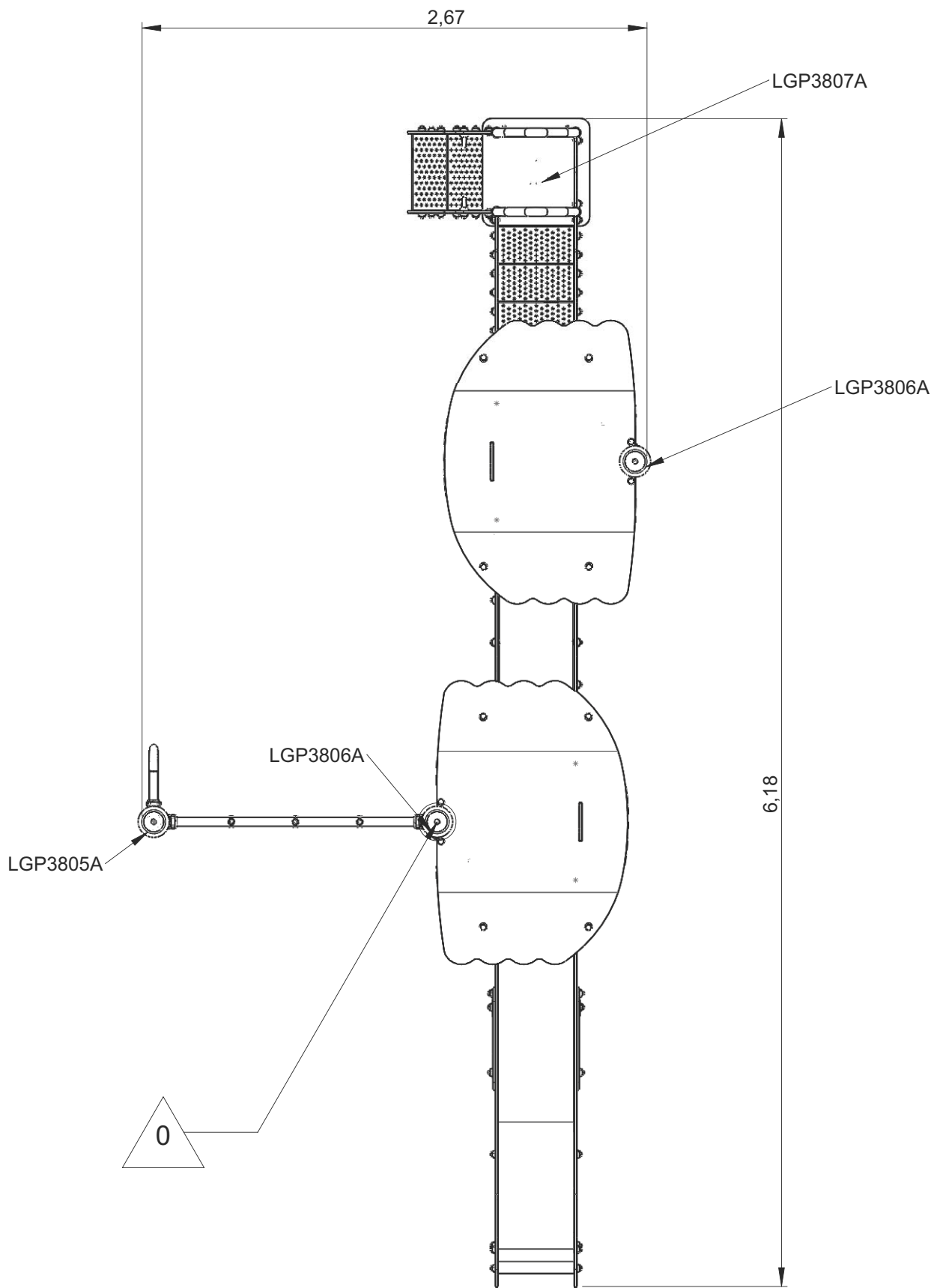
— Dalle béton
 Concrete pad
 Solera de hormigon
 Beton bodenplatte
 Betonnen bodemplaat

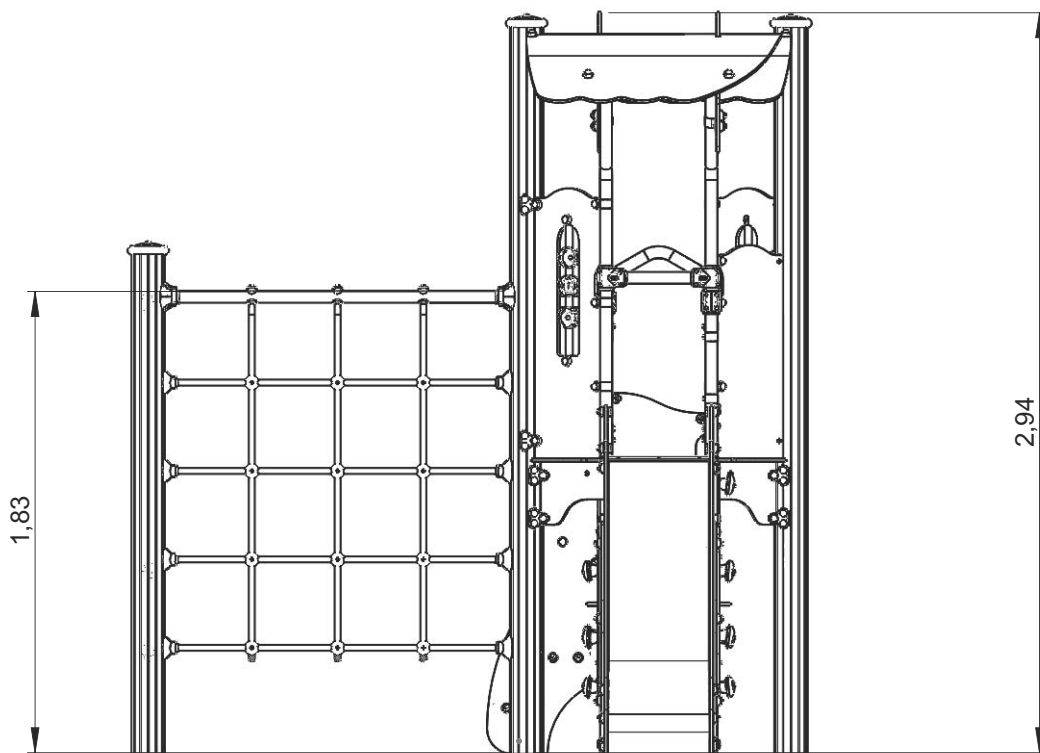
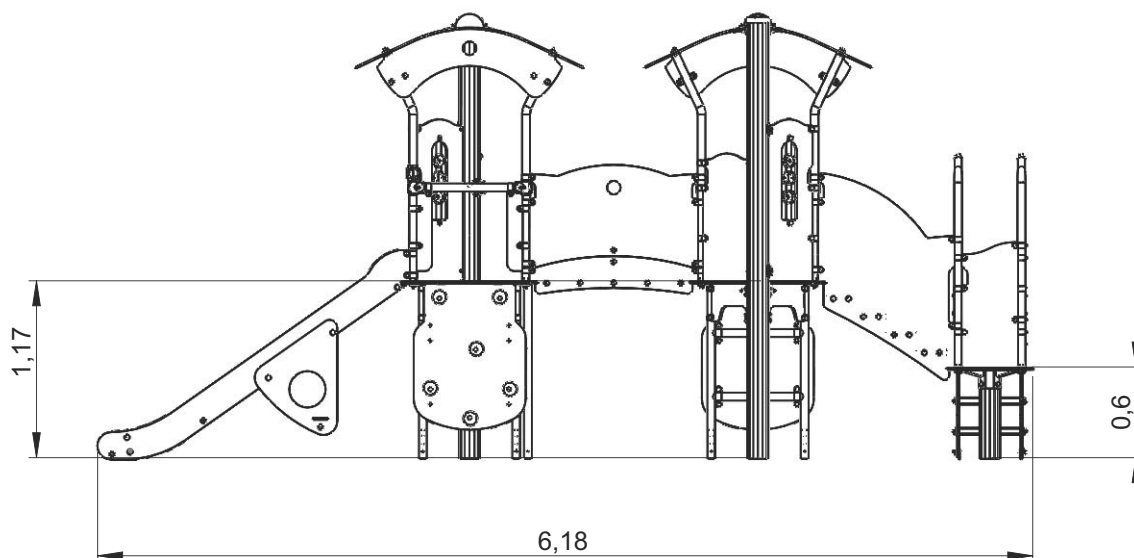
31 m
 43 m²



— Sol fluent
 Loos partucule material 33 m
 Arenero
 Loses Bodenmaterial 49 m²
 Los bodemmaterialaal

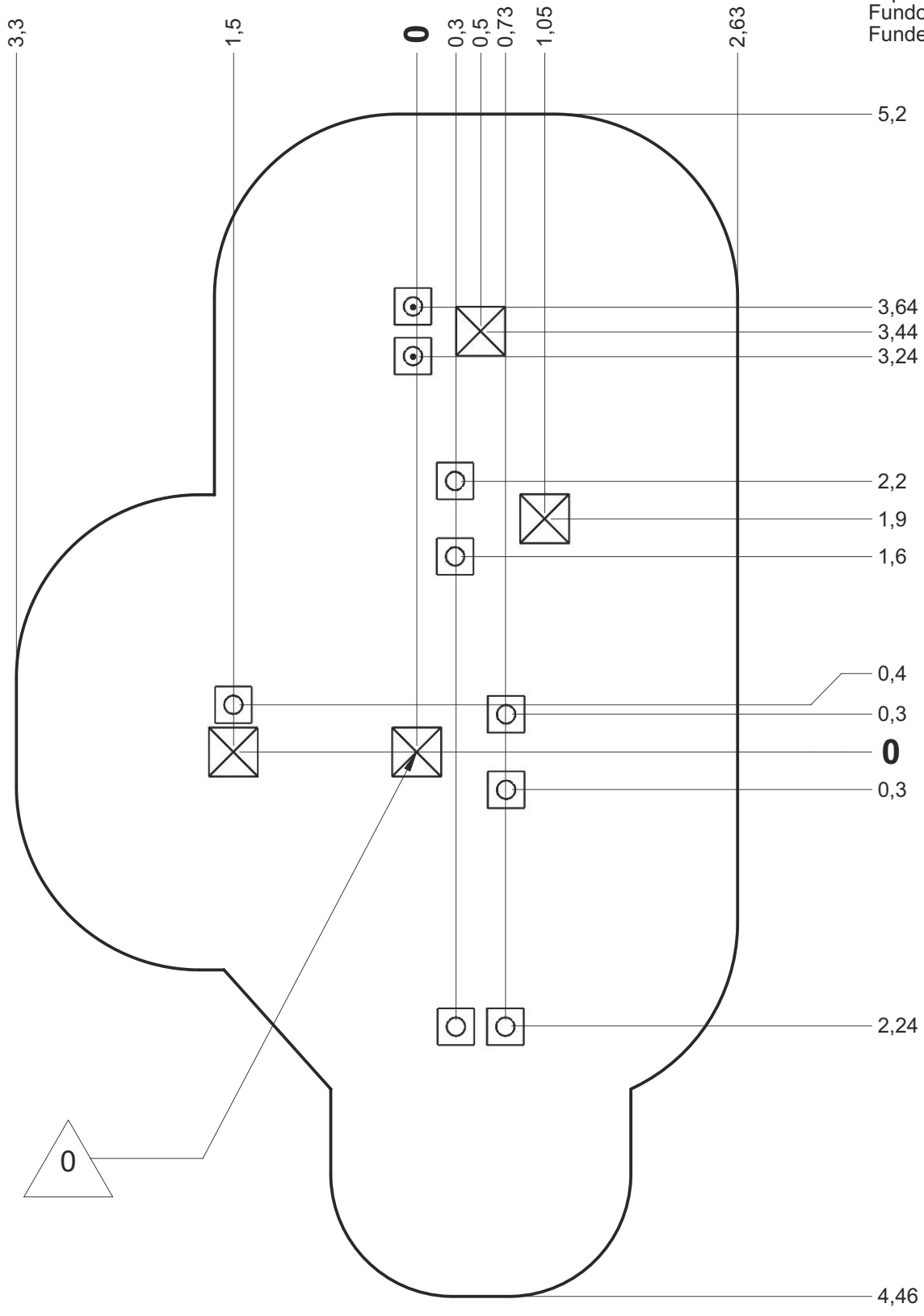




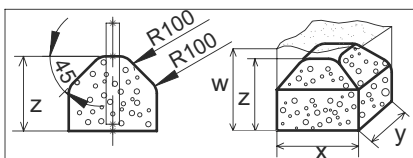





J3845A

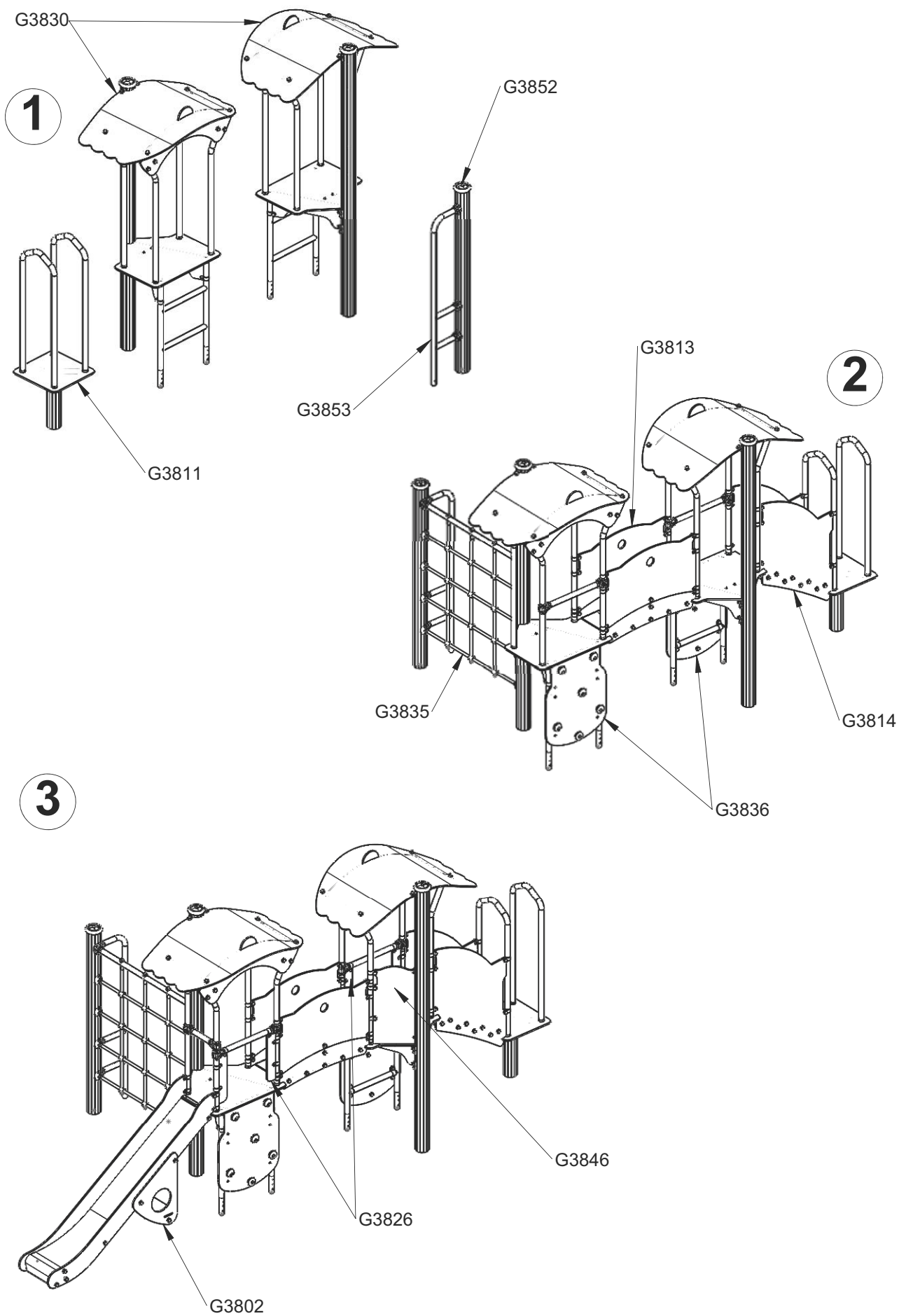
Implantation
 Footing plan
 Implantación
 Fundamentplan
 Funderingstekening



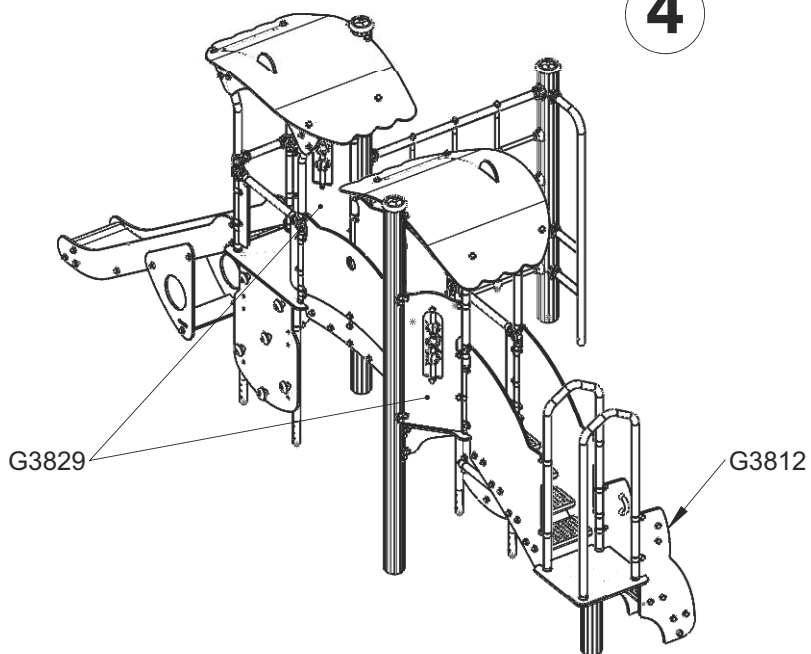
 x2
 20H
 0.3 m³



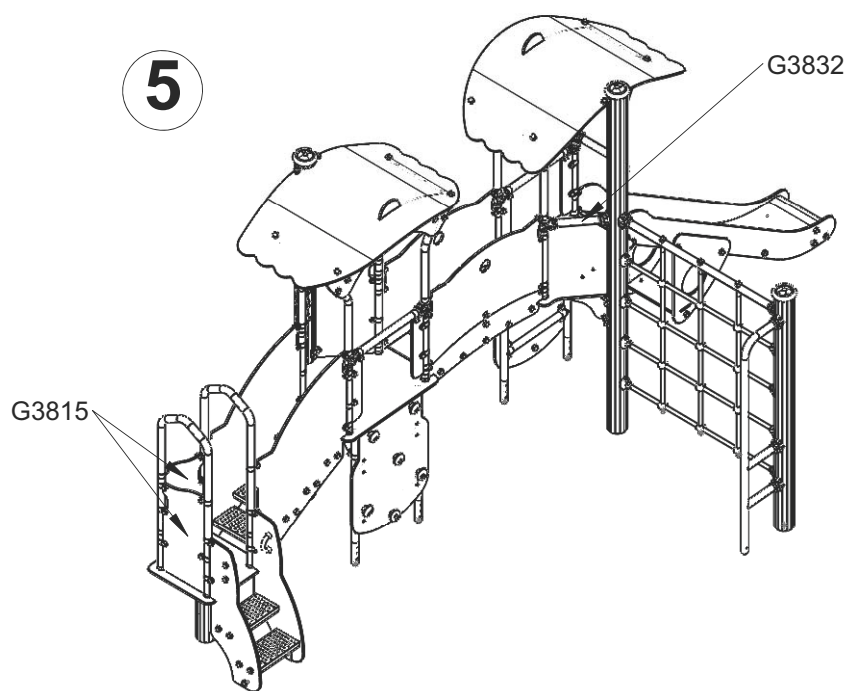
	x	y	z	w
	0.3	0.3	0.3	0.6
	0.4	0.4	0.3	0.6
	0.6	0.3	0.3	0.6



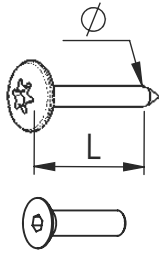
4



5

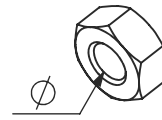


Réf	Qté
G3802	1
G3835	1
G3811	1
G3812	1
G3814	1
G3815	2
G3813	1
G3826	2
G3852	1
G3829	2
G3830	2
G3832	1
G3836	2
G3846	1
G3853	1

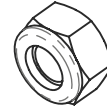


VBT 6 x 30
 \varnothing \uparrow L (mm)

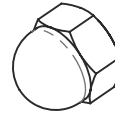
VFHC



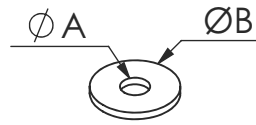
VEC M10
 \varnothing




VEF



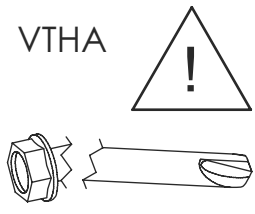
VEB



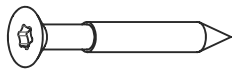
VR6x18
 $\varnothing A$ $\varnothing B$



1000 - 1800 tr/min
 Vitesse de rotation
 Rotation speed



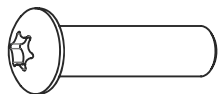
14 N.m
 Couple de rupture
 Torque of break



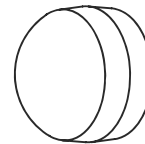
VWT



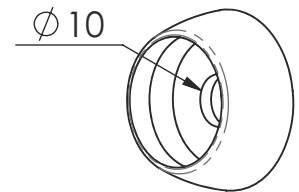
VGC



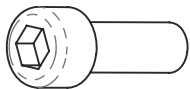
VCBHC



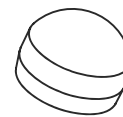
M10 440N



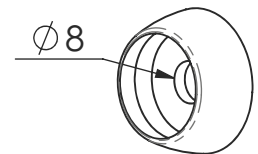
M10 310 N



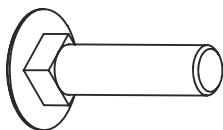
VBTR



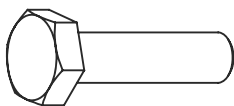
M8440N



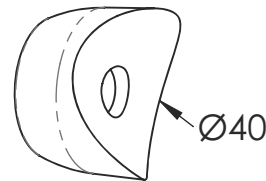
M8310N



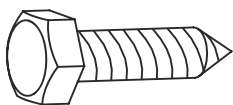
VTRCC



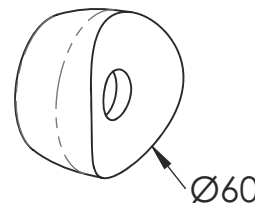
VTH



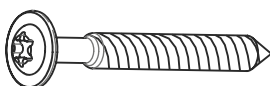
MI2503



VTF



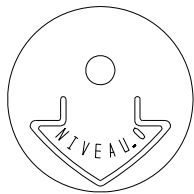
MI2701



VBT

A

Proludic



MI0002

VCBHCM10

M10310N
VEFM10
M10440N

LG08

M10440N
VEFM10
MI2503

LG3802

M10440N
VTH10*80
MI2503

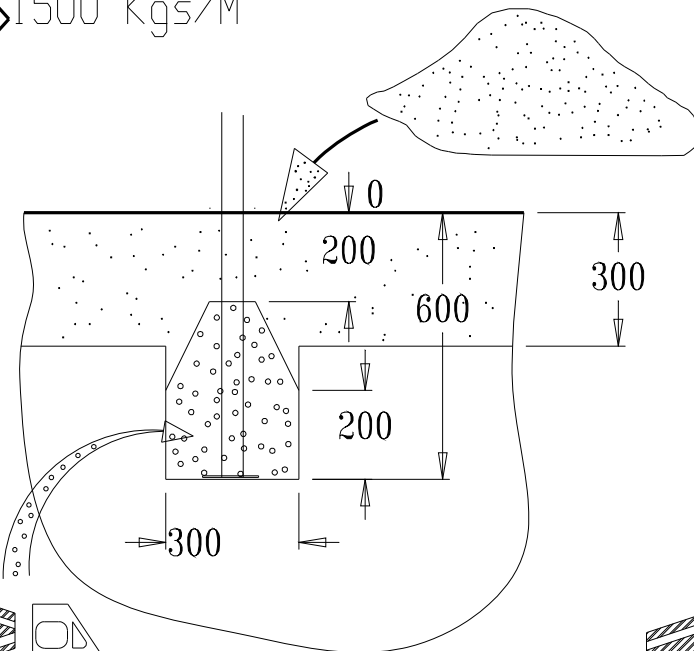
LG3804



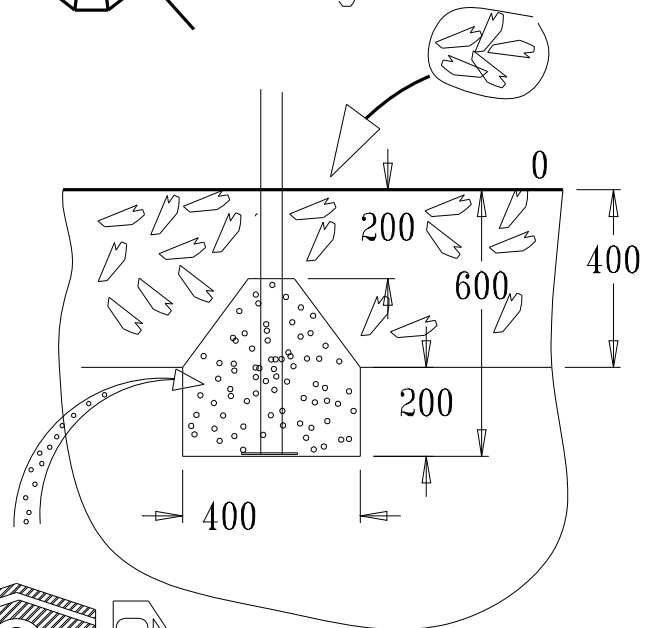
> 1500 Kgs/M³



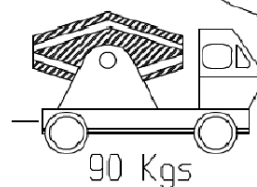
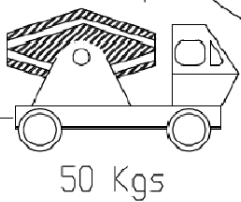
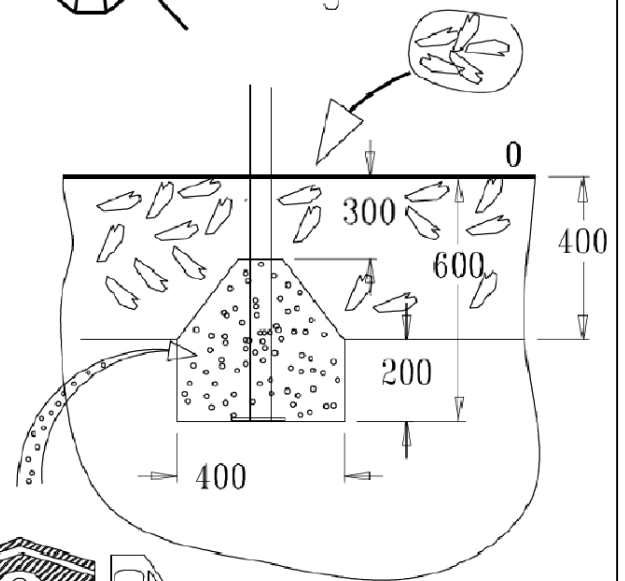
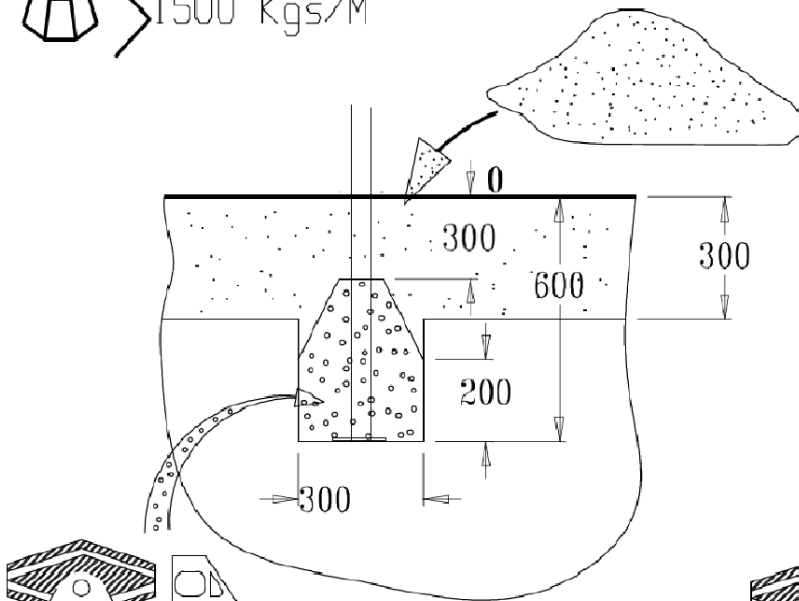
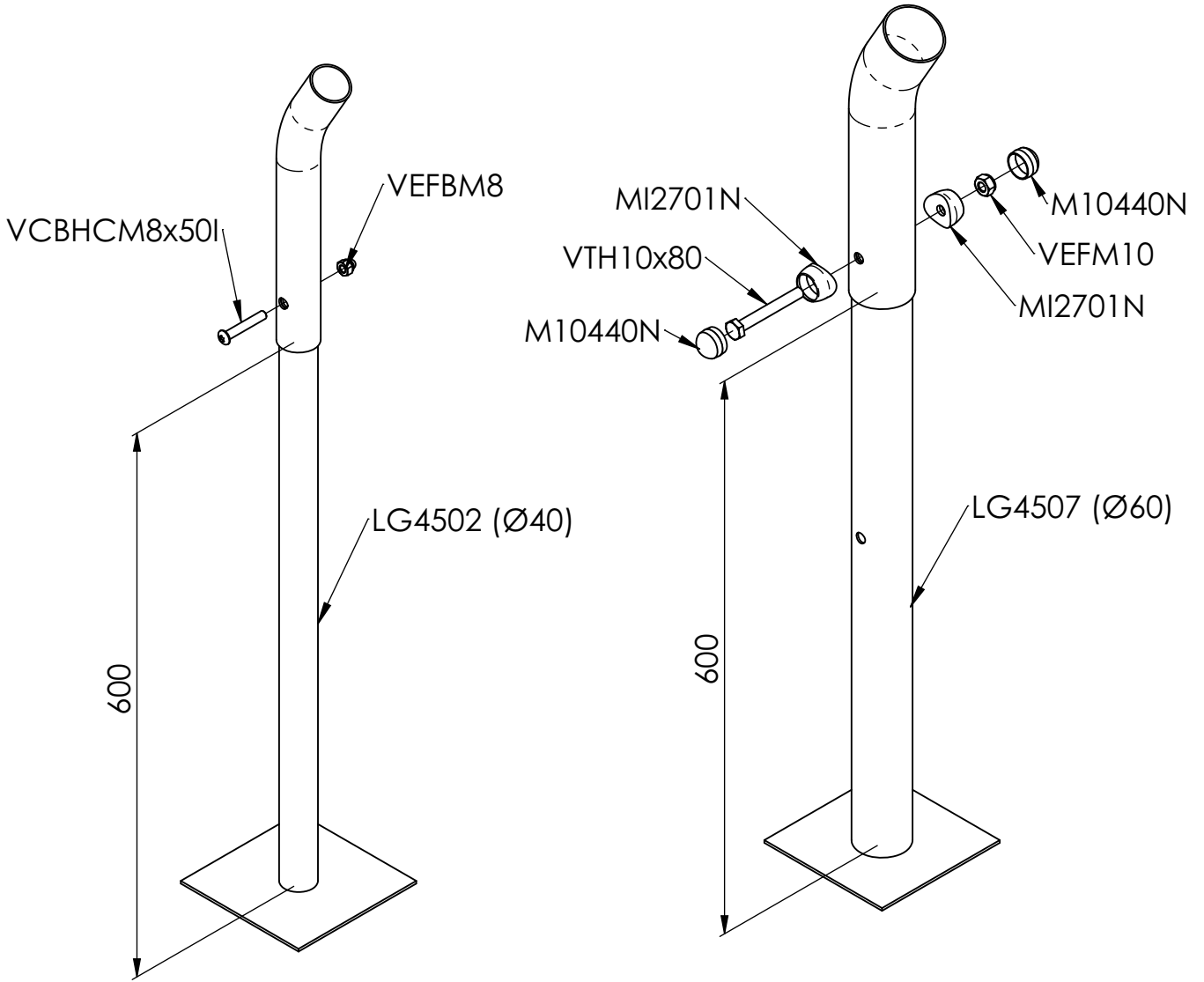
< 1500 Kgs/M³

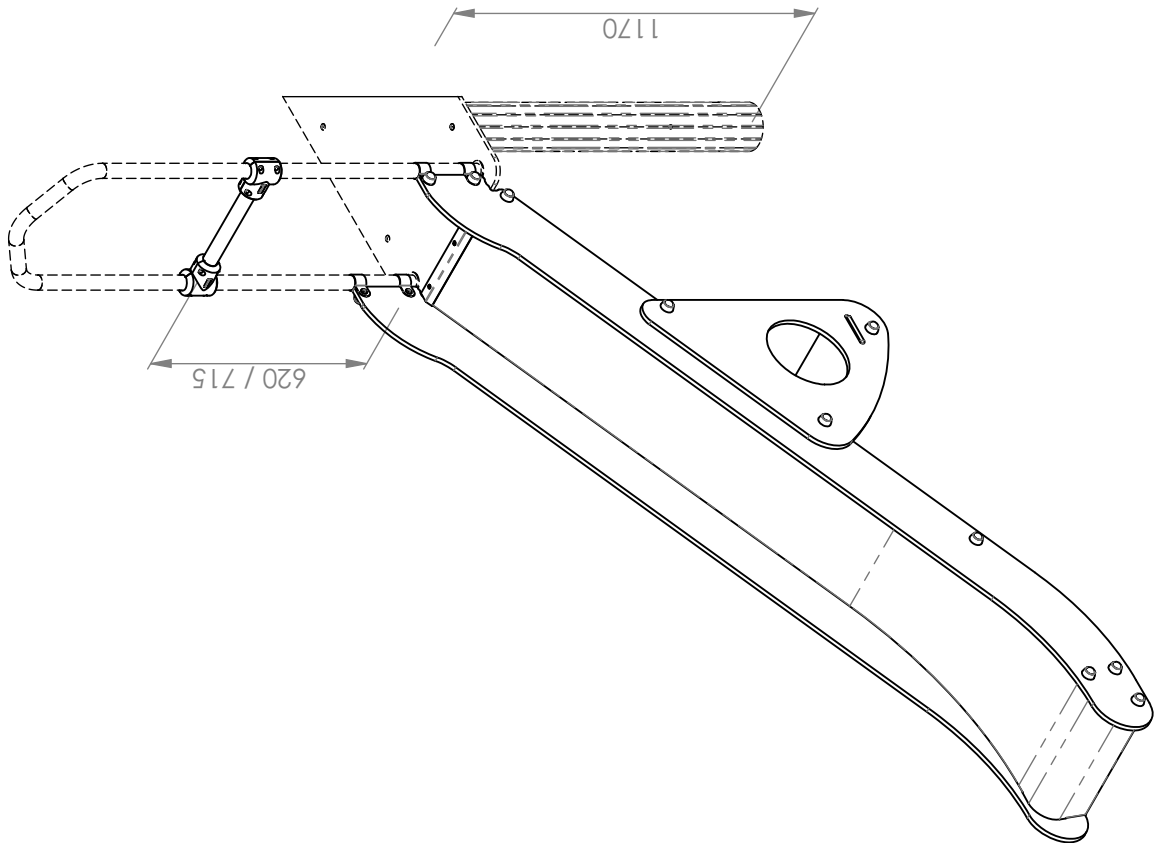


50 Kgs

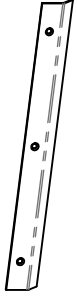


90 Kgs

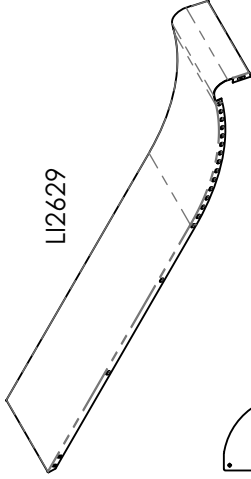




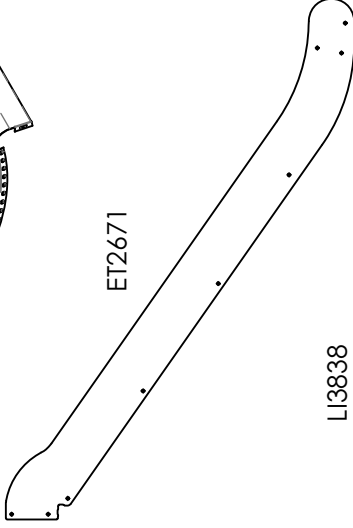
LI9204



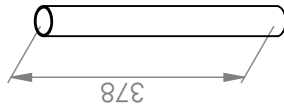
LI2629



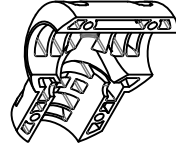
ET2671



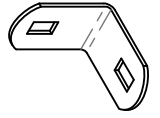
LI3838



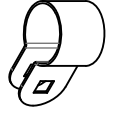
MI2502N



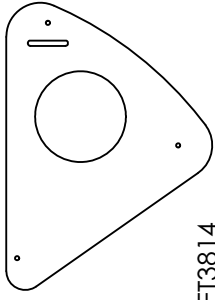
P13



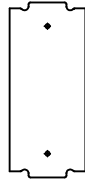
LI4505



ET3851

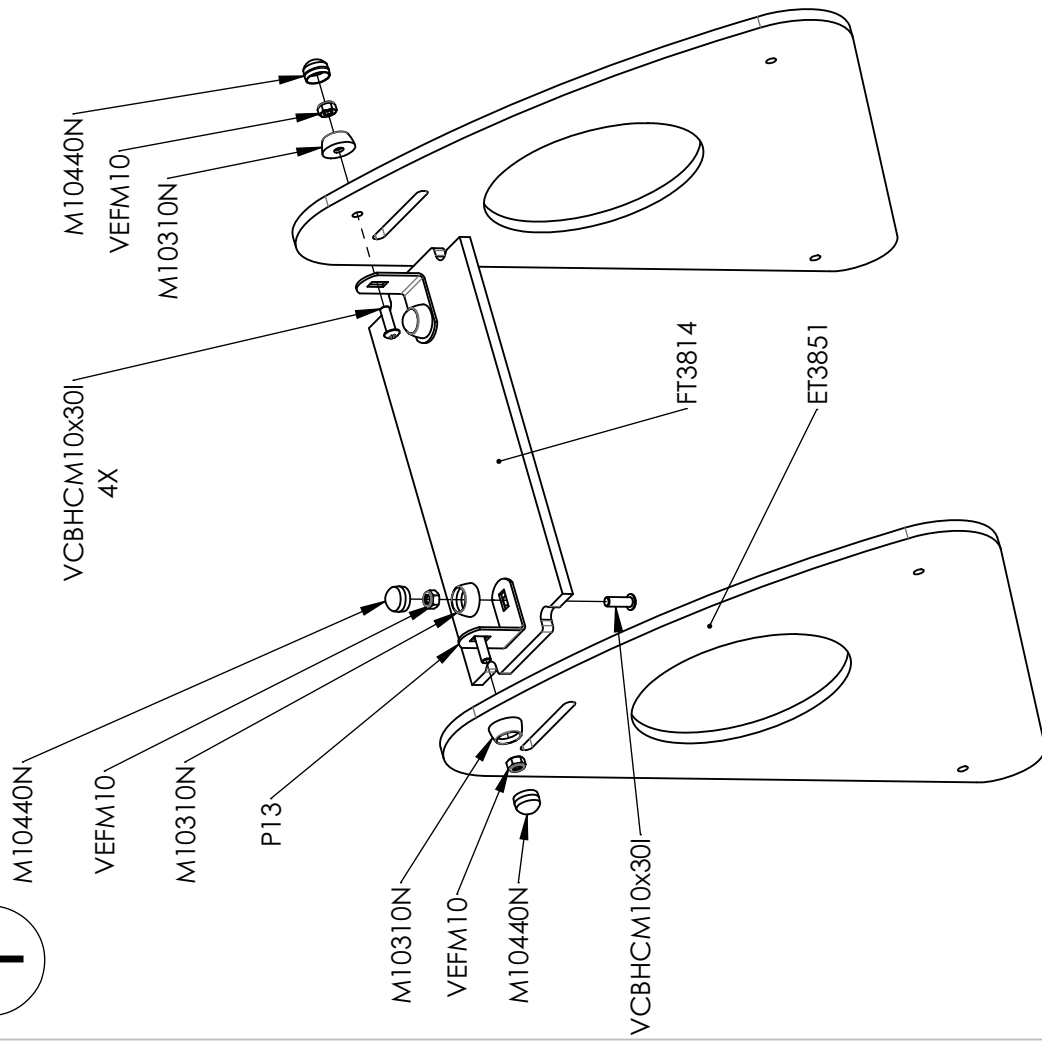


FT3814

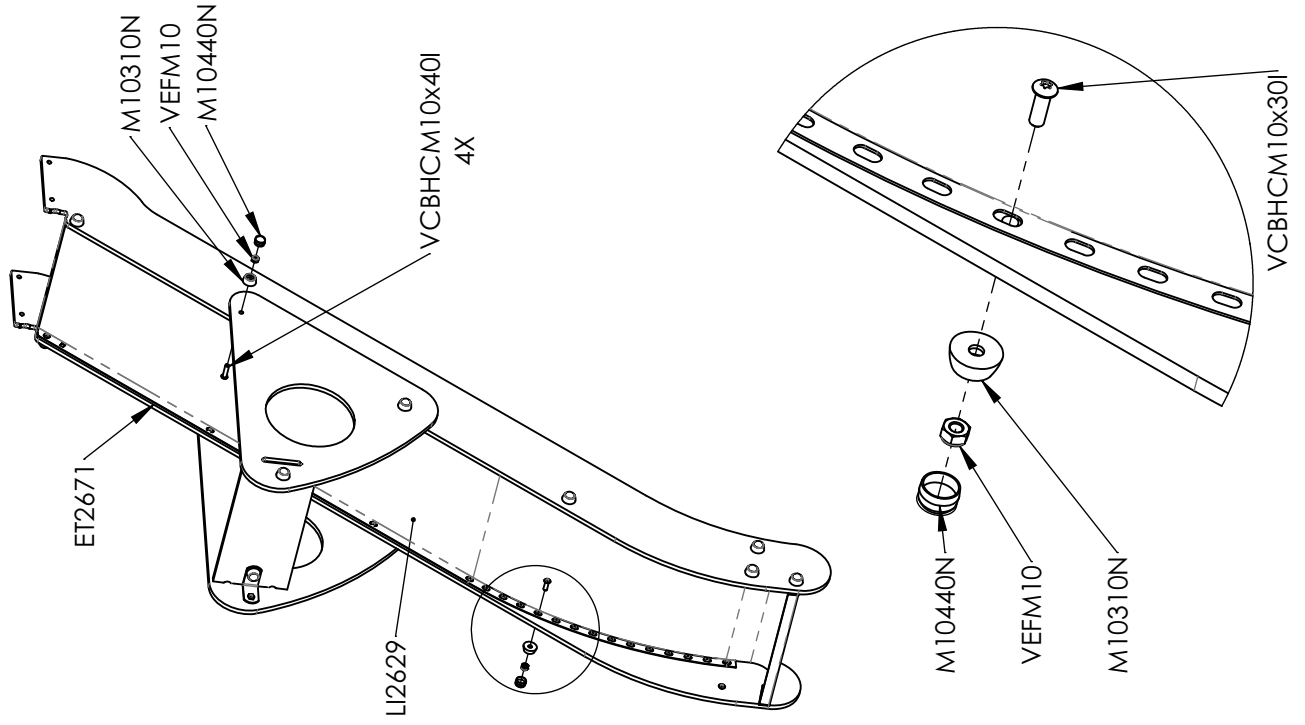


Référence	Qté
LI2629	1
ET2671J	2
LI4505	4
VCBHC M10x30I	22
VCBHC M6x25I	8
M10310N	22
VEFM10	22
VEFM5	3
M10440N	22
LI3838	1
MI2502N	4
VEBM6	8
LI9204	1
M8310N	3
M8440N	3
VFHCM5x30	3
ET3851OF	2
FT3814	1
P13	2
VR6x18	3

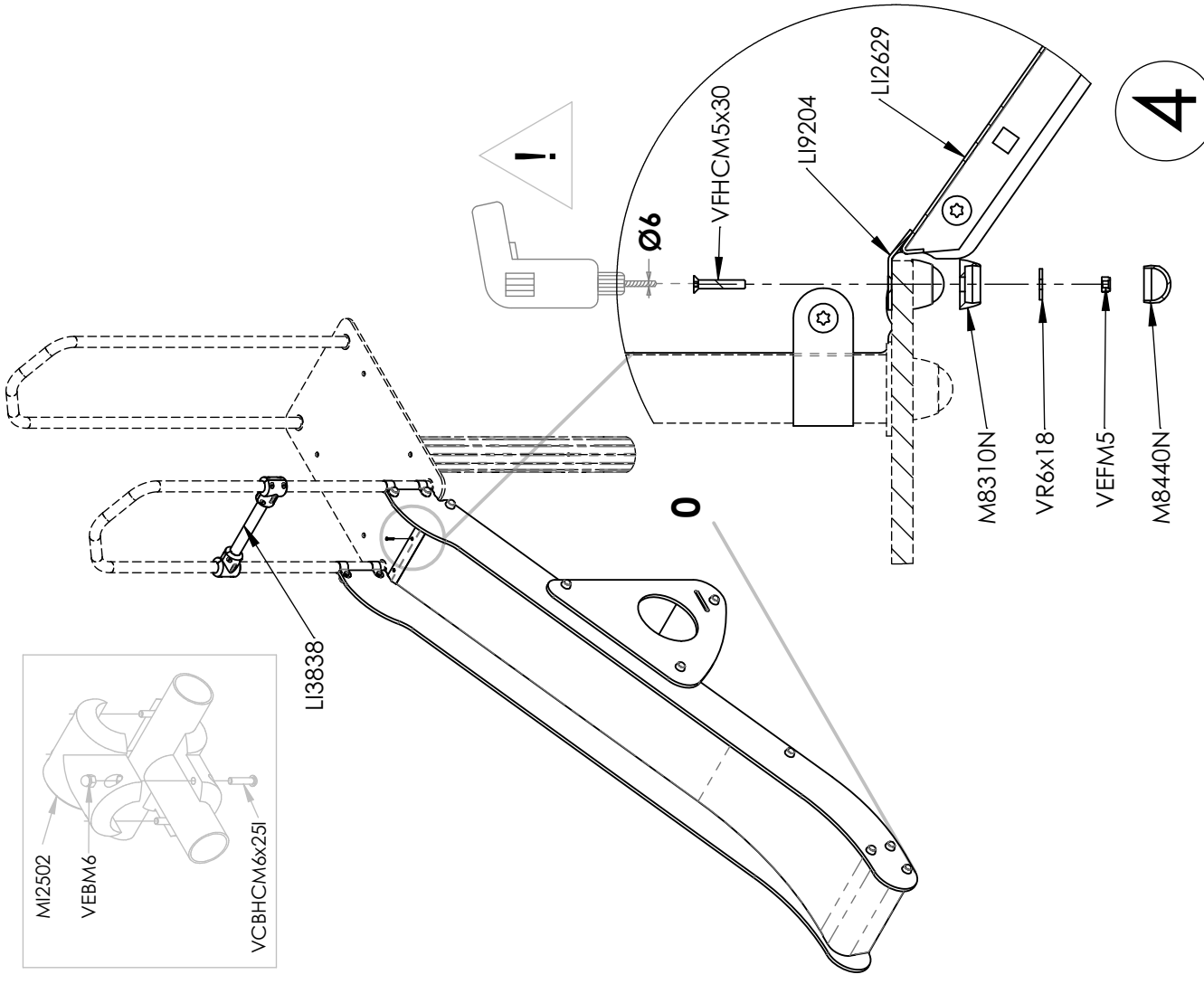
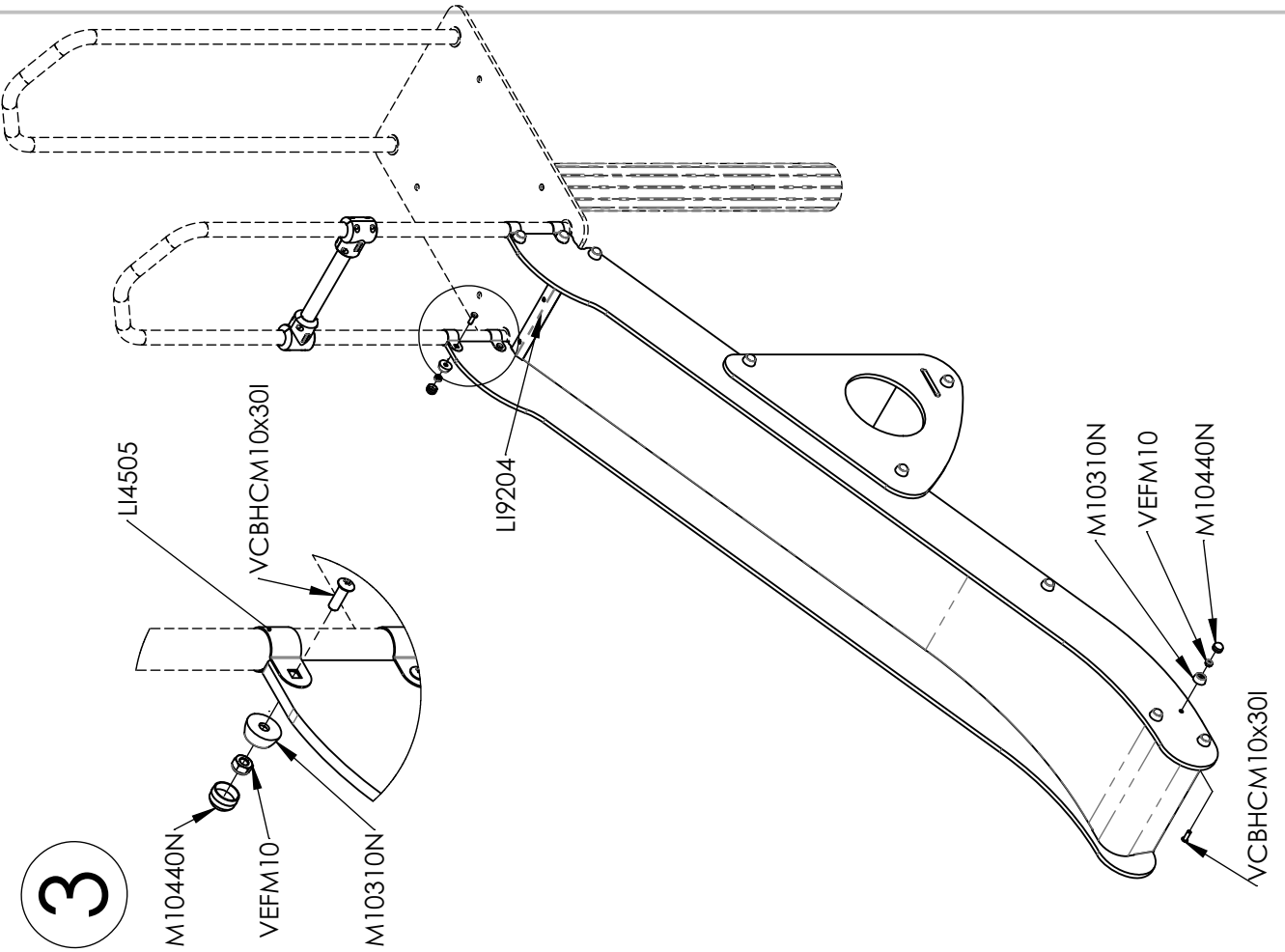
1



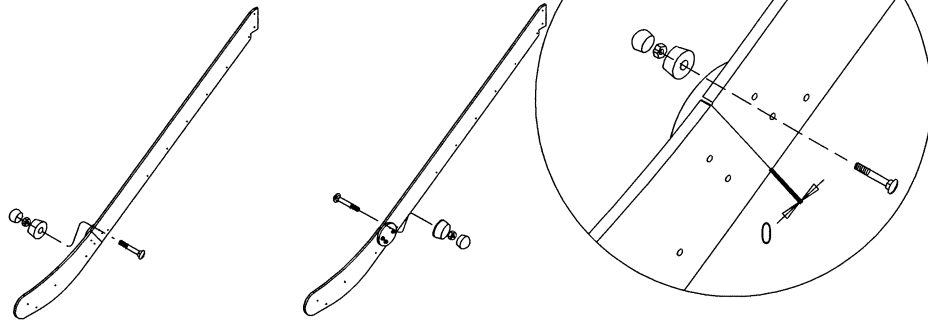
2



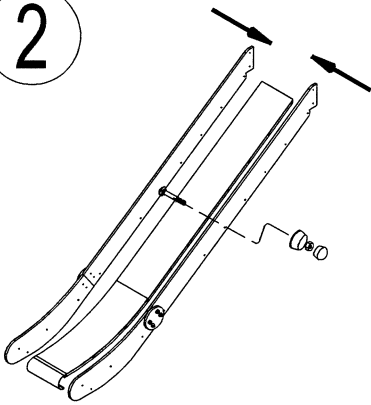
3



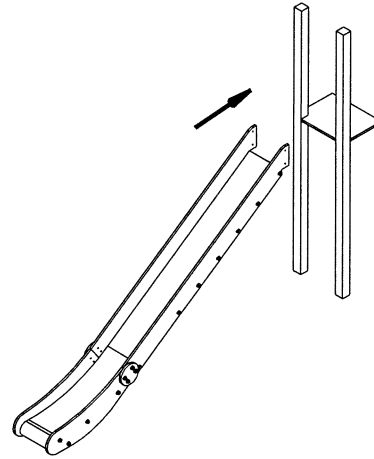
1



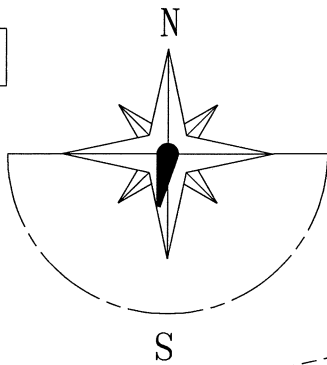
2



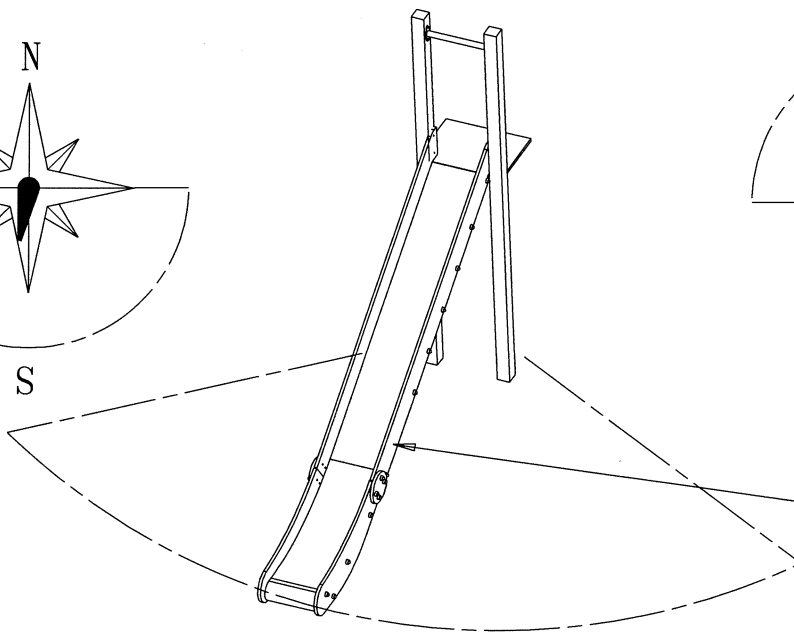
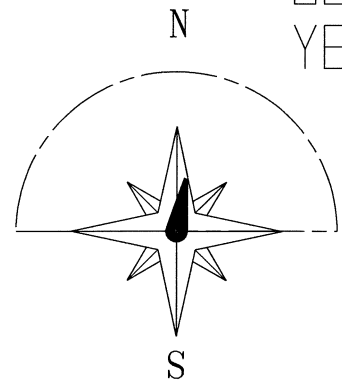
3



NON
NO



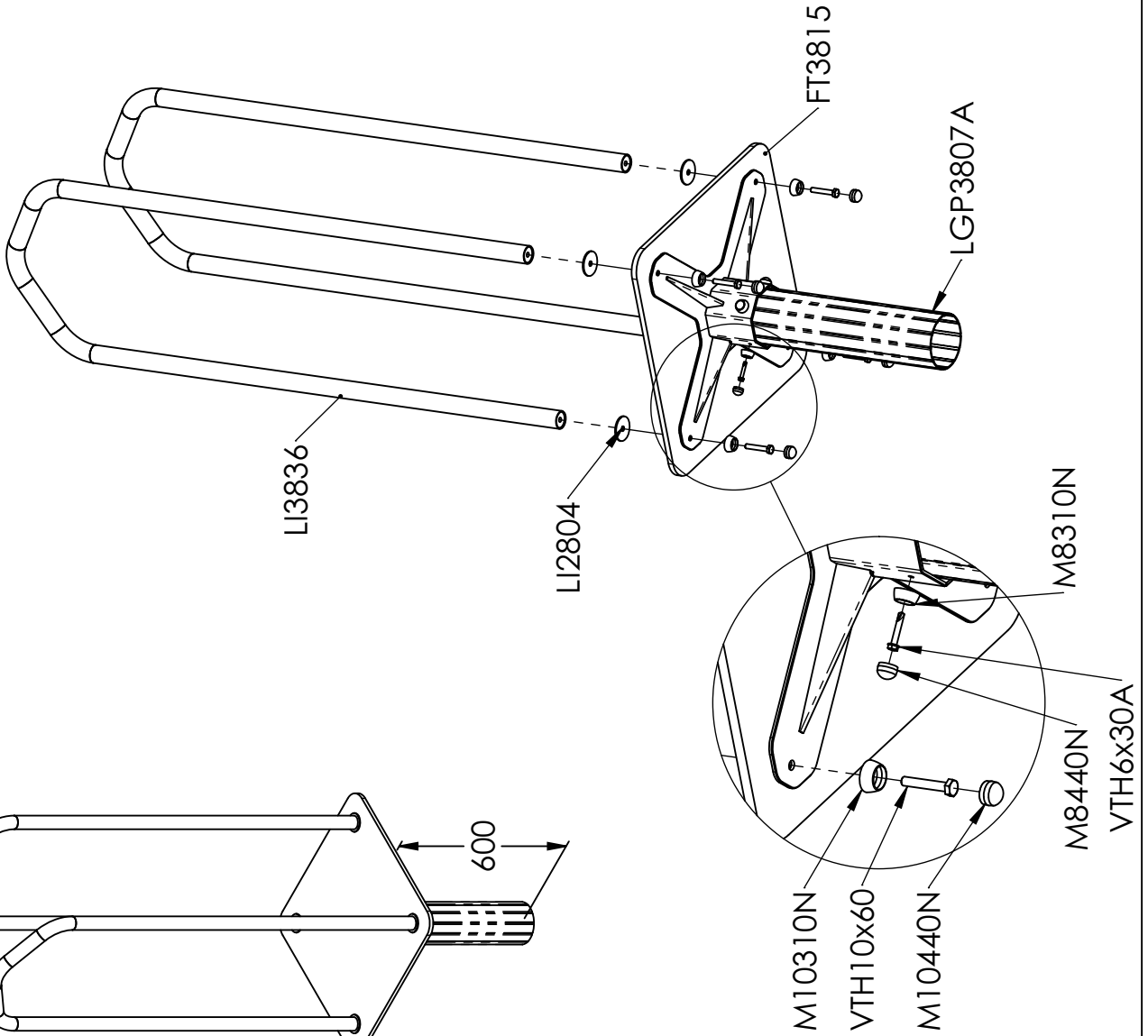
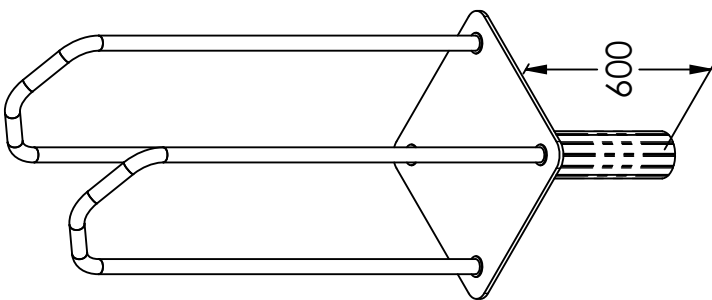
OUI
YES



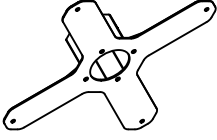
STOBG

FR

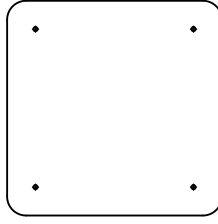
Il est recommandé de ne pas orienter la glissière Sud / Sud Ouest



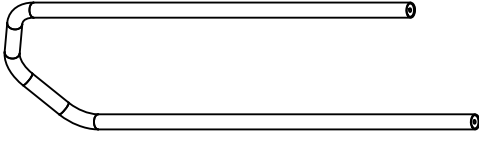
LG3810



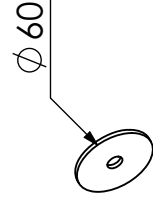
FT3815



LI3836

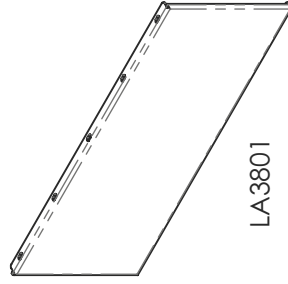
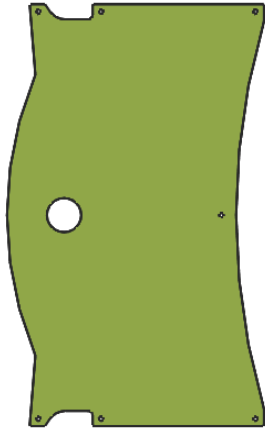
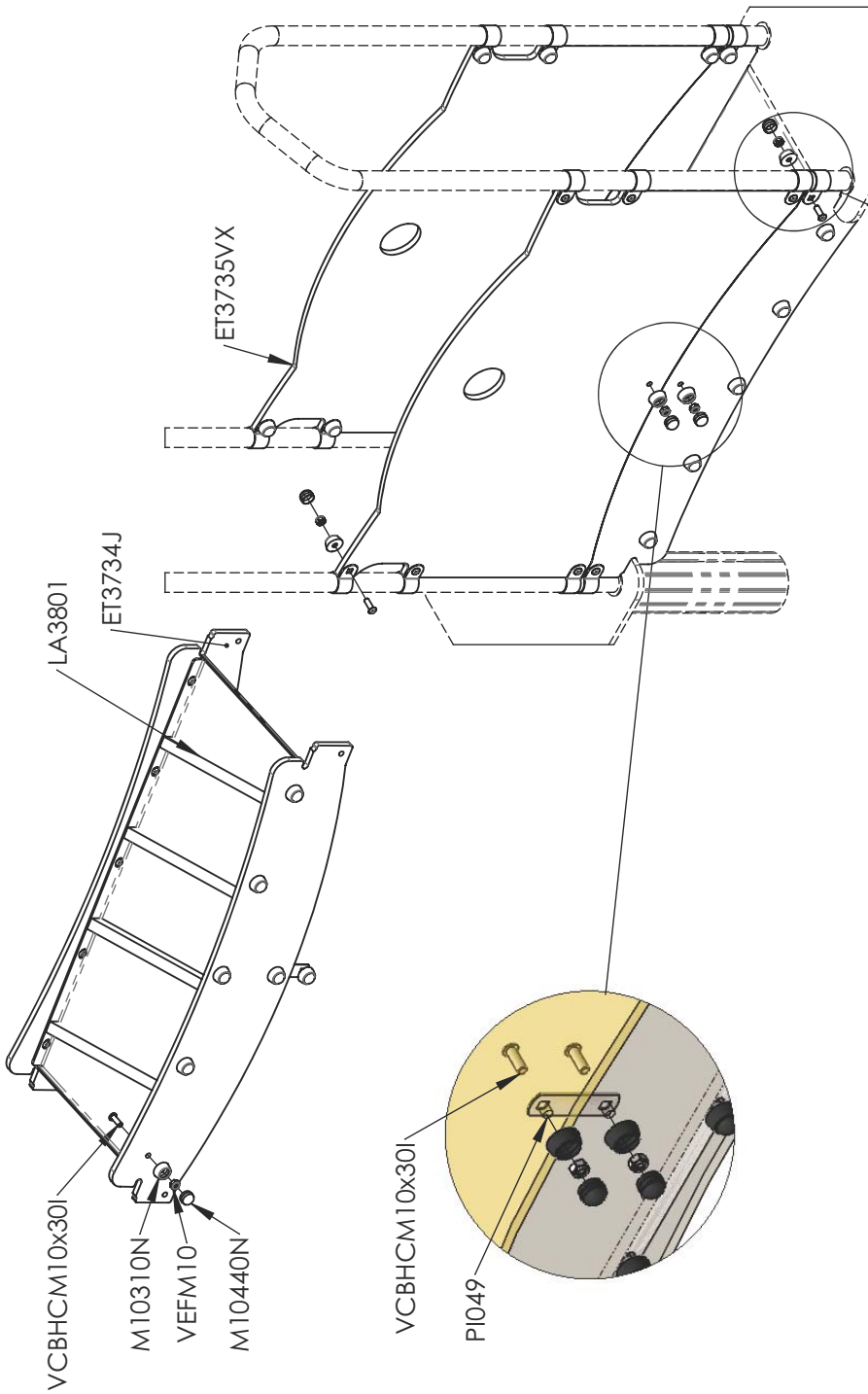


LGP3807A



LI2804

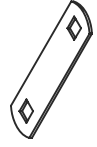
Réf	Qte
FT3815	1
LG3810	1
LGP3807A	1
LI2804	4
LI3836	2
M8310N	4
M8440N	4
M10310N	4
M10440N	4
VTH6x30A	4
VTH10x60	4



LI4505

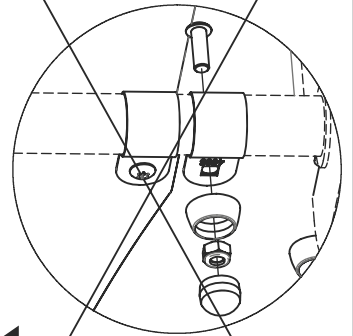


PI049

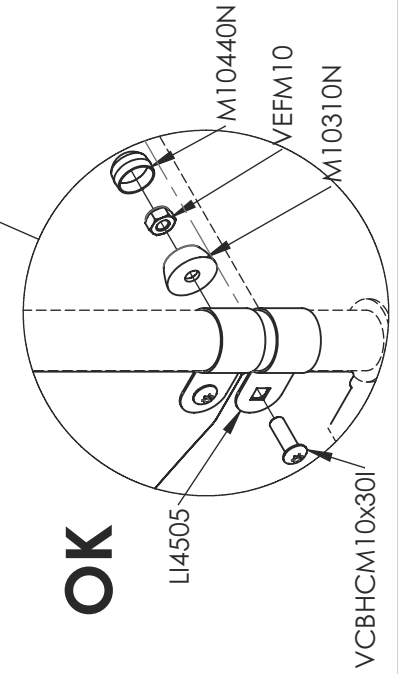


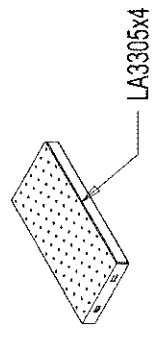
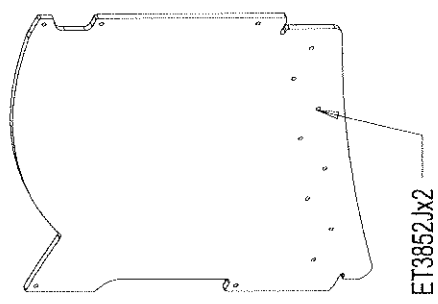
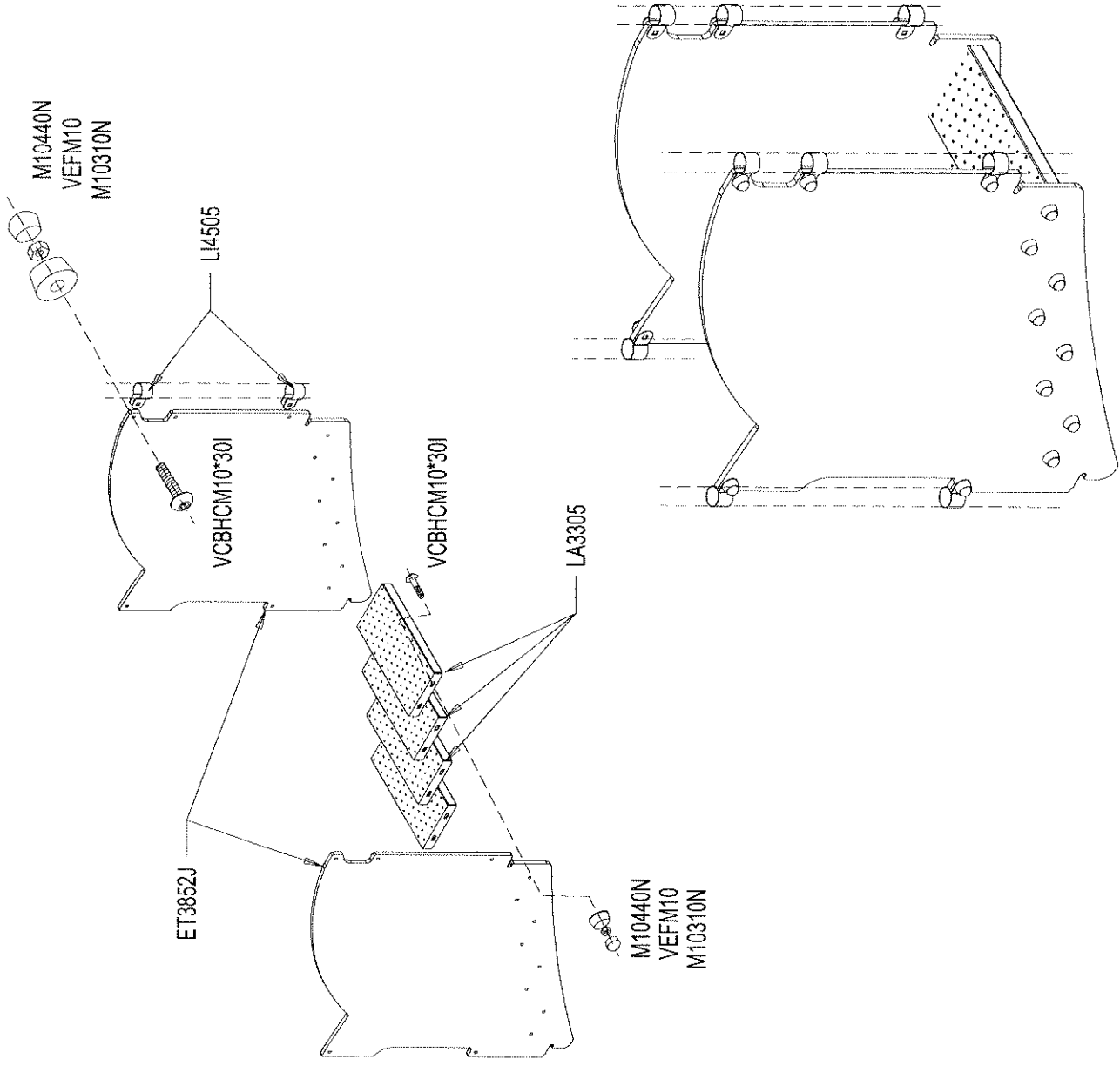
Réf	Qté
ET3734J	2
ET3735VX	2
LA3801	1
LI4505	16
M10310N	30
M10440N	30
PI049	2
VCBHCM10x30I	30
VEFM10	30

NO OK

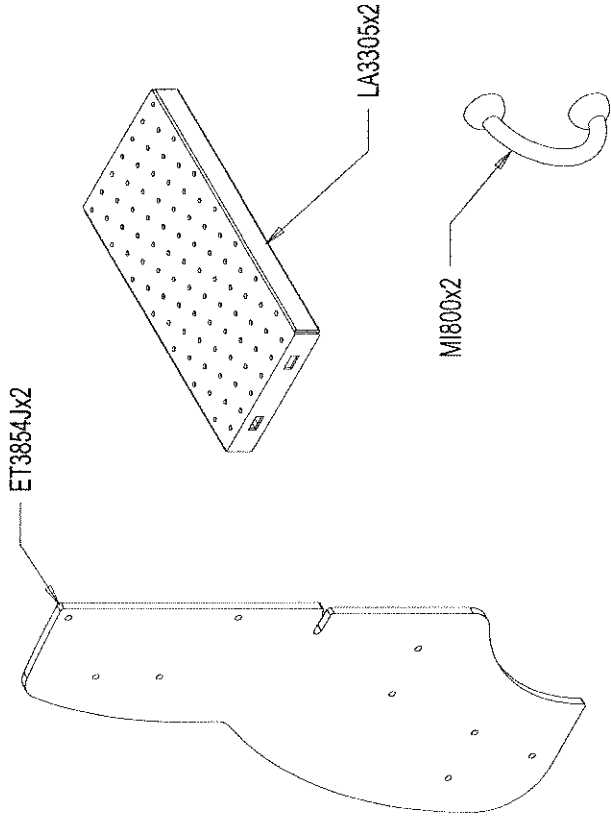
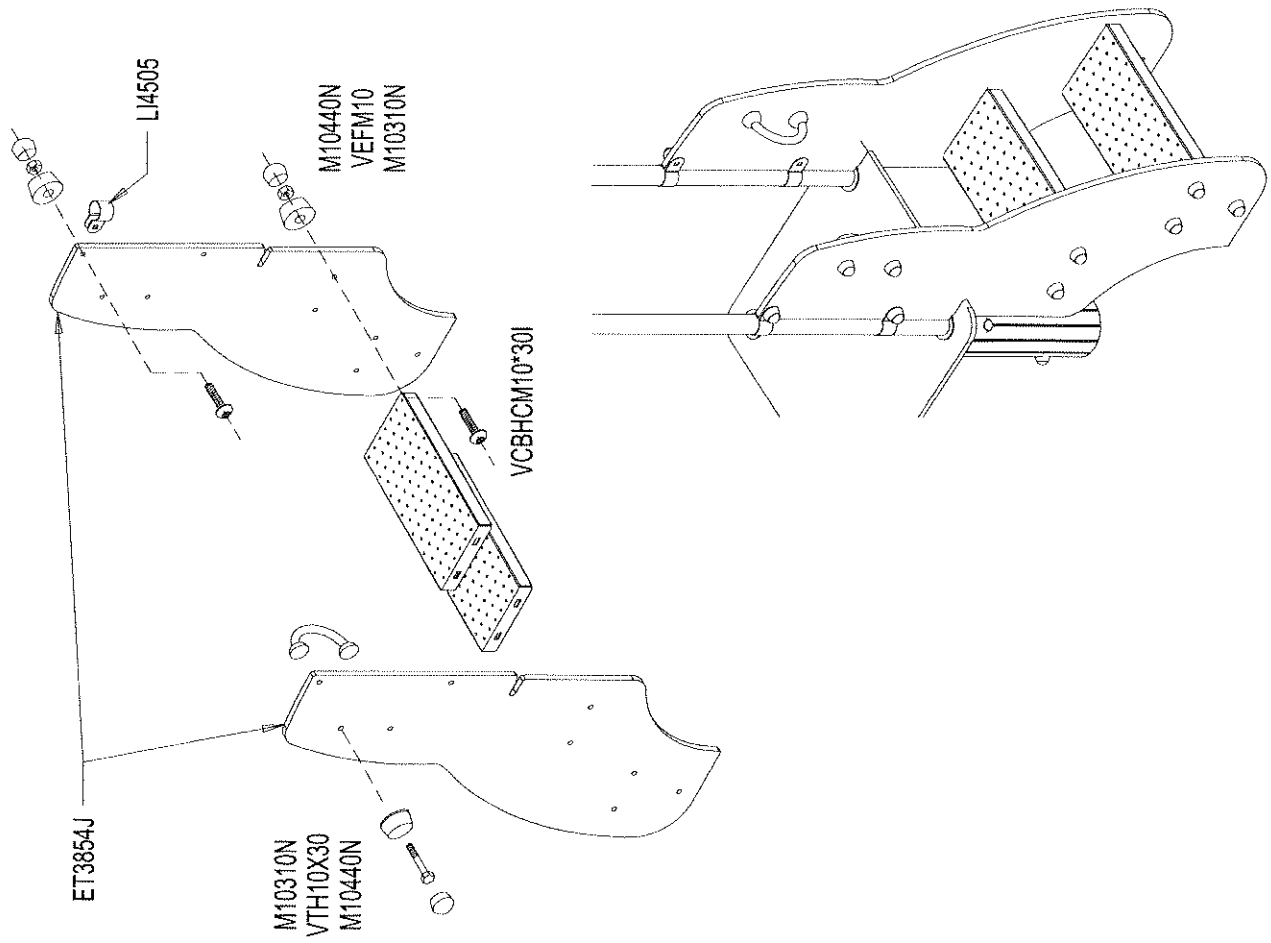


OK

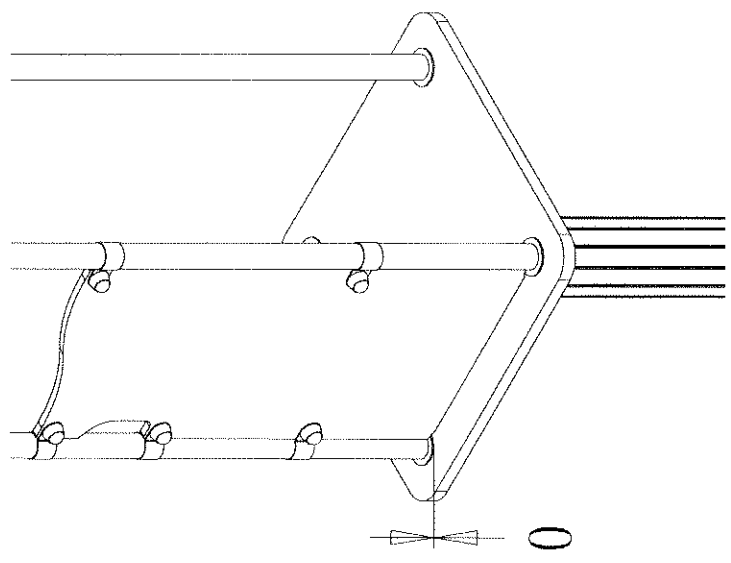
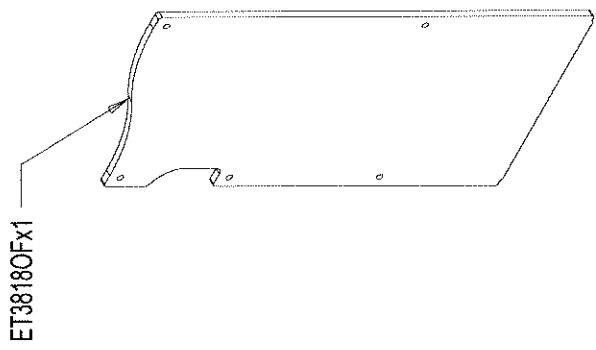
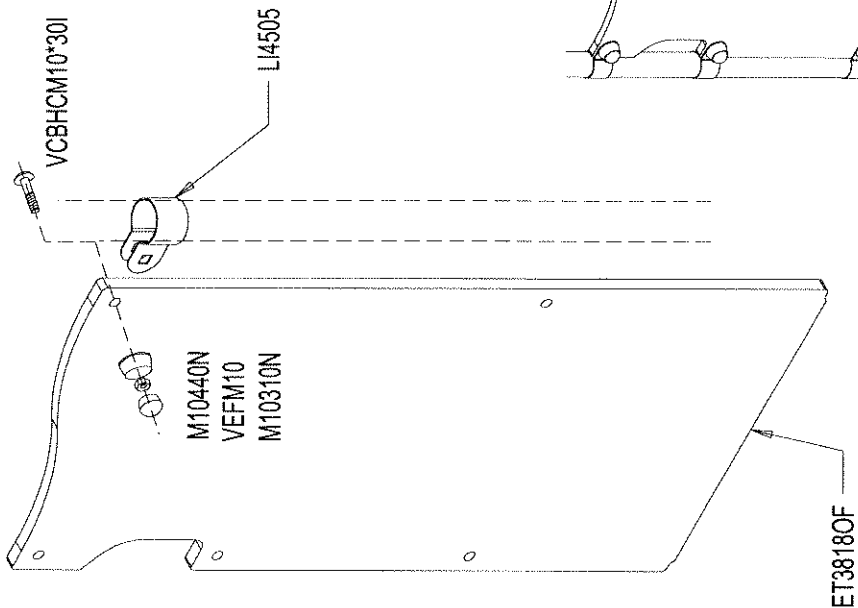




	VEFM10	26
	VCBHCM10*30I	26
	M10310N	26
	M10440N	26
	LI4505	10



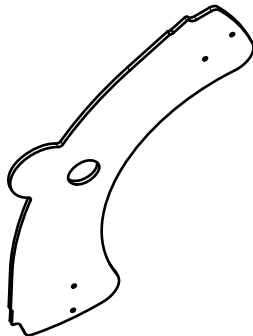
	VTH 10x30	4
	MI 800	2
	VEFM10	12
	VCBHC M10*30I	12
	M10310N	16
	M10440N	16
	LI4505	4



	VEFM10	5
	VCBHCM10*30I	5
	M10310N	5
	M10440N	5
	LI4505	5

LGP3806A

1x
ET3831



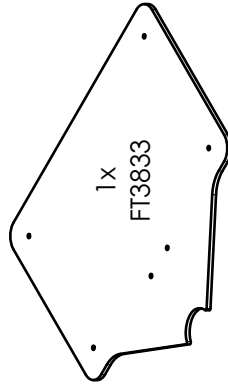
1x
LP3800N



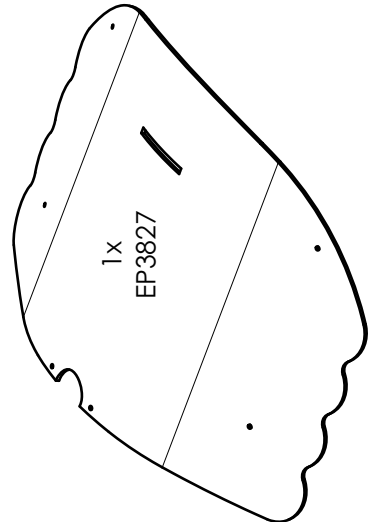
1x
ET3832



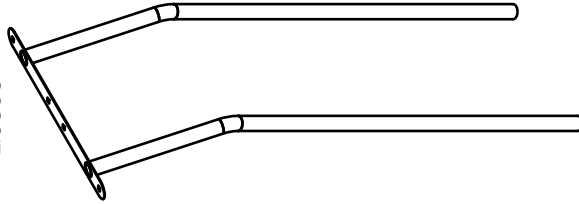
1x
FT3833



1x
EP3827



2x
LI3858



1x
LG4412



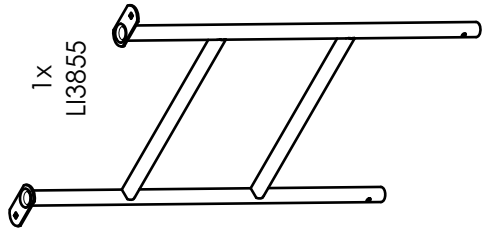
1x
MI025N



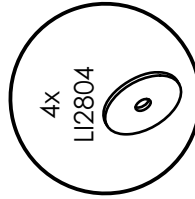
4x
MI4700



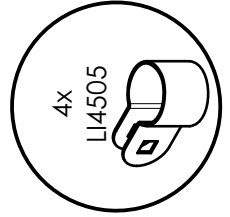
1x
LI3855



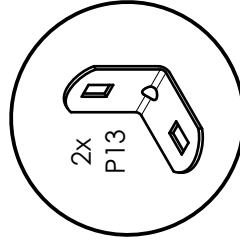
4x
LI2804



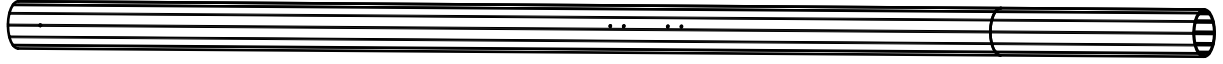
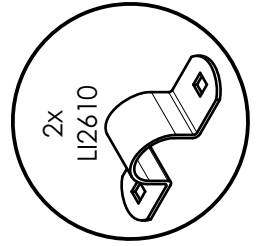
4x
LI4505



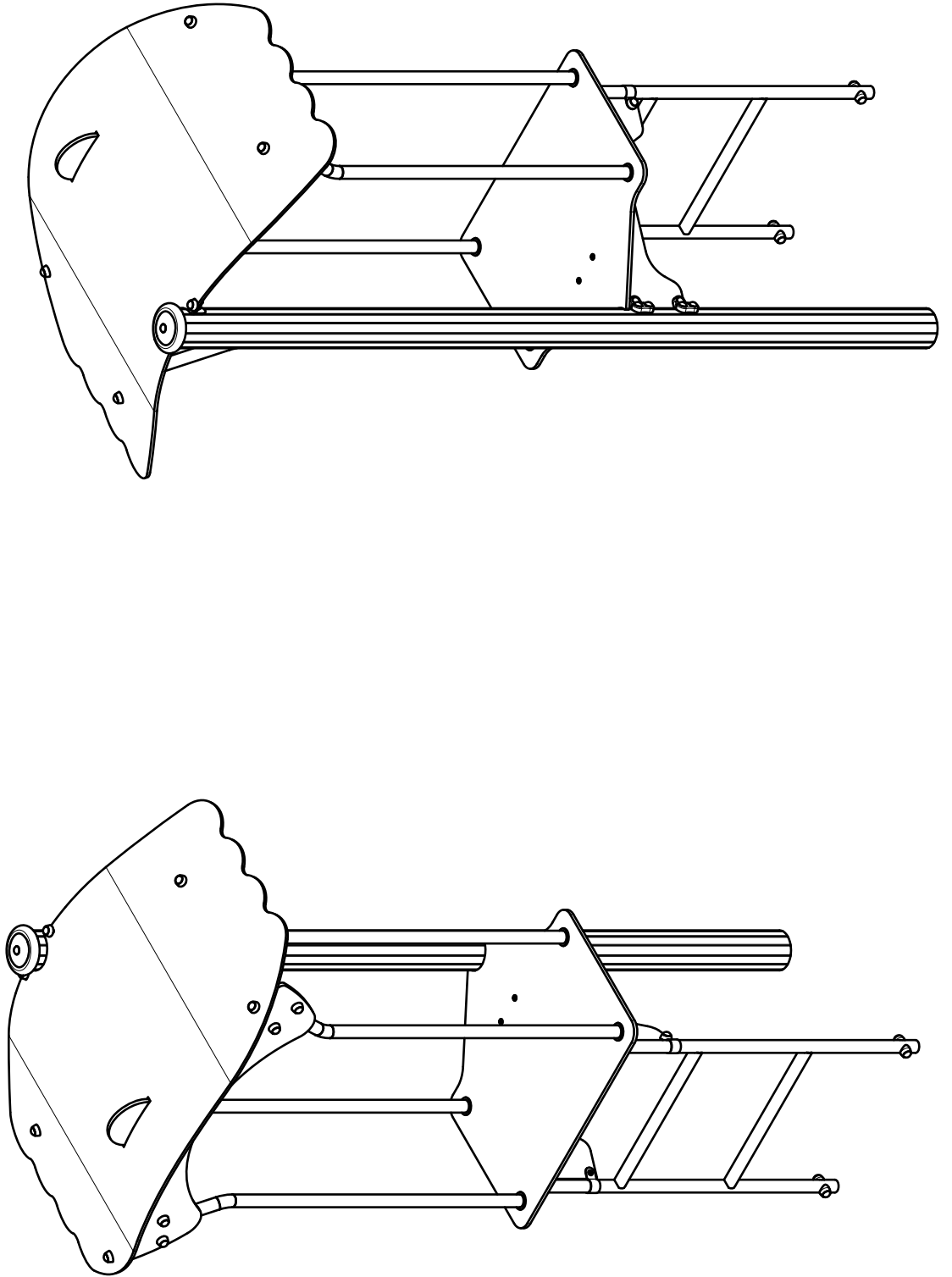
2x
P13

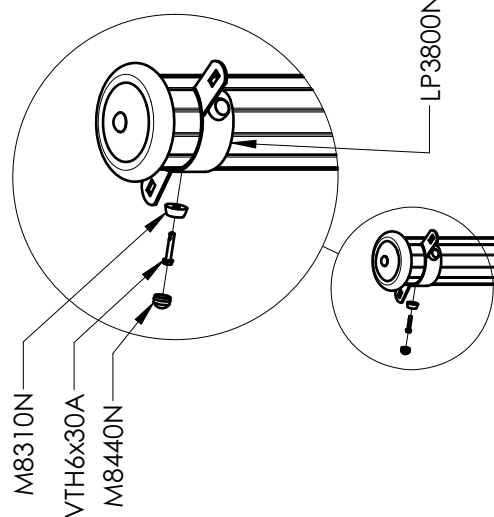
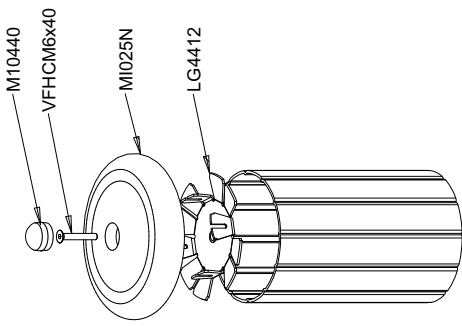


2x
LI2610

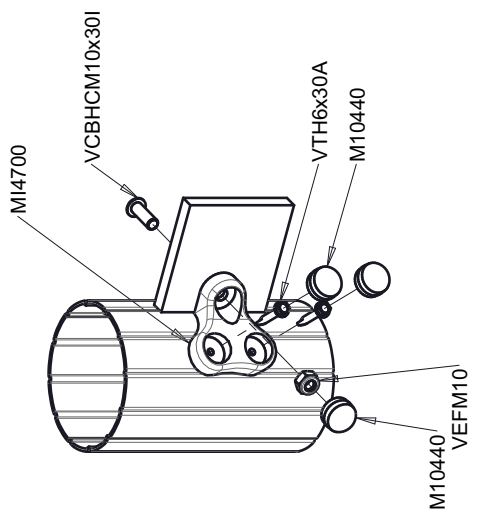


REF	QTE
EP3827N	1
ET3831 VX	1
ET3832J	2
FT3833	1
LG4412	1
LG4502	2
LGP3806A	1
LI2610	2
LI2804	4
LI3855	1
LI3858	2
LI4505	4
LP3800N	1
M8310N	2
M8440N	2
M10310N	22
M10440N	39
MI025N	1
MI2503N	4
MI4700	4
P13	2
VCBHC10x30I	16
VECM10	6
VEFM10	18
VFHC6x40	1
VTH6x30A	10
VTH10x60	6
VTRCC10x30	6

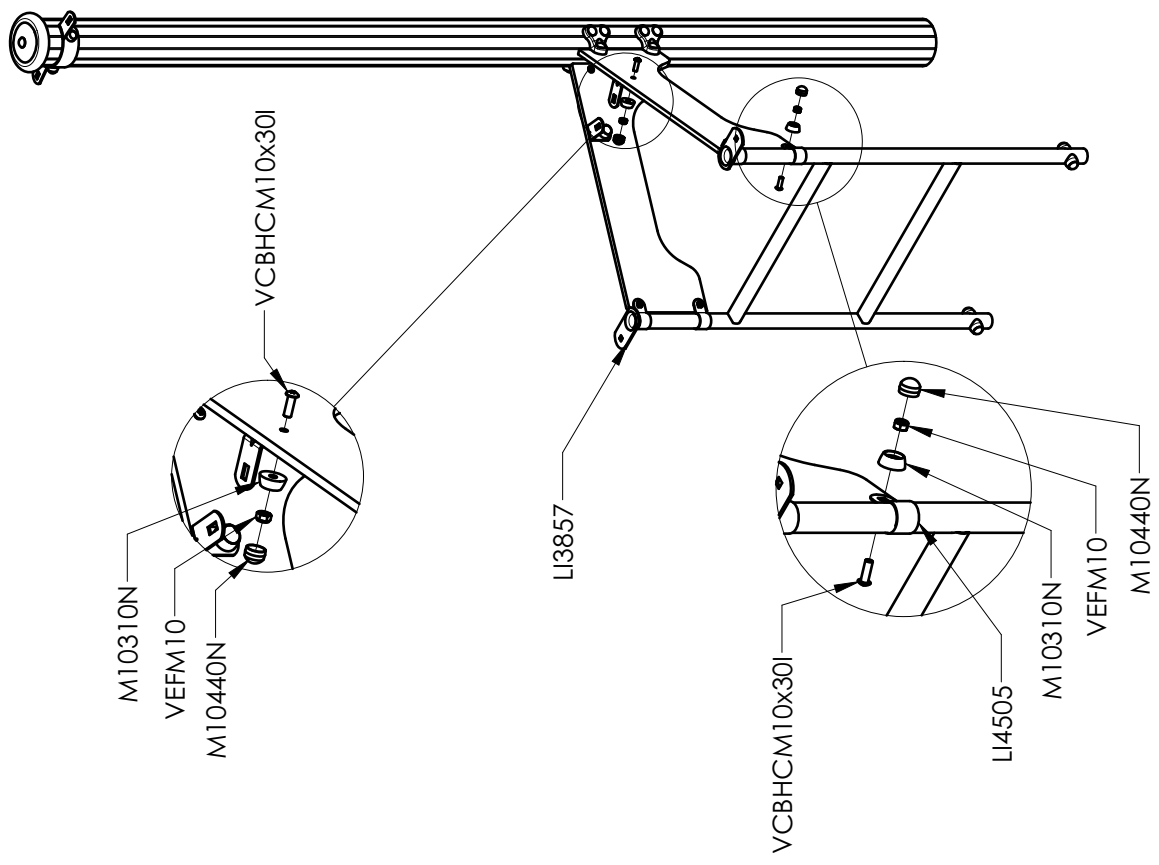


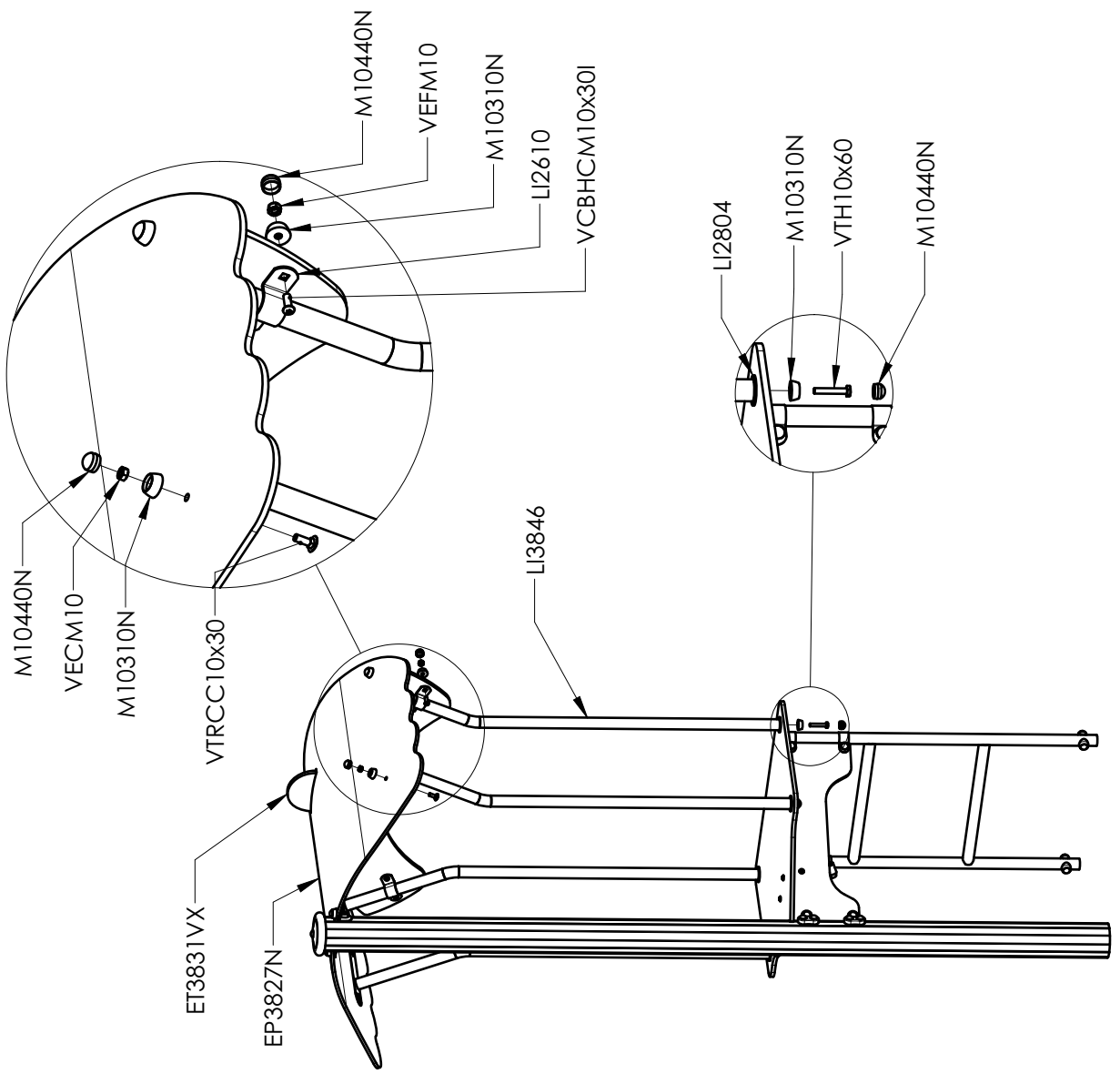
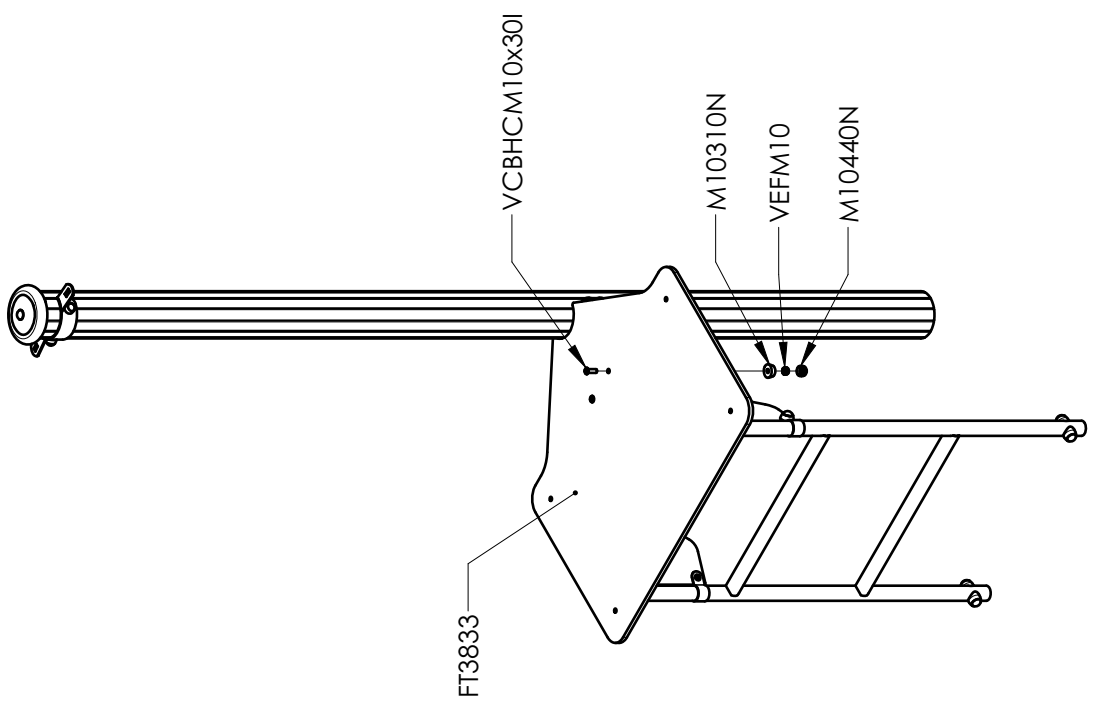


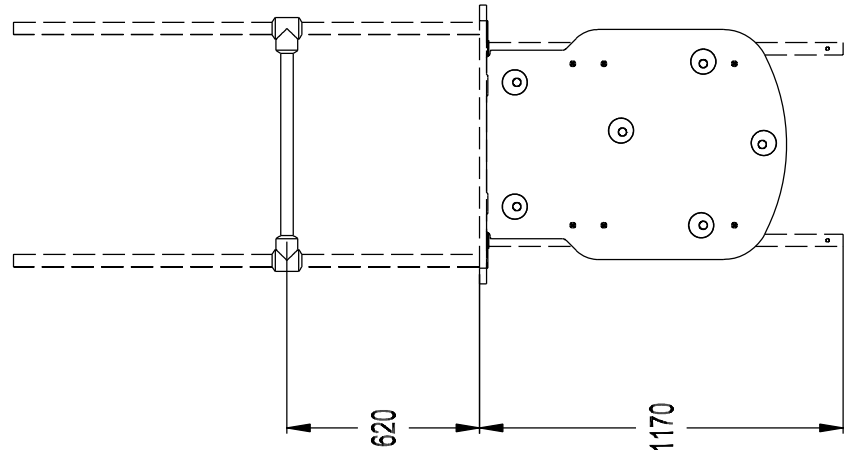
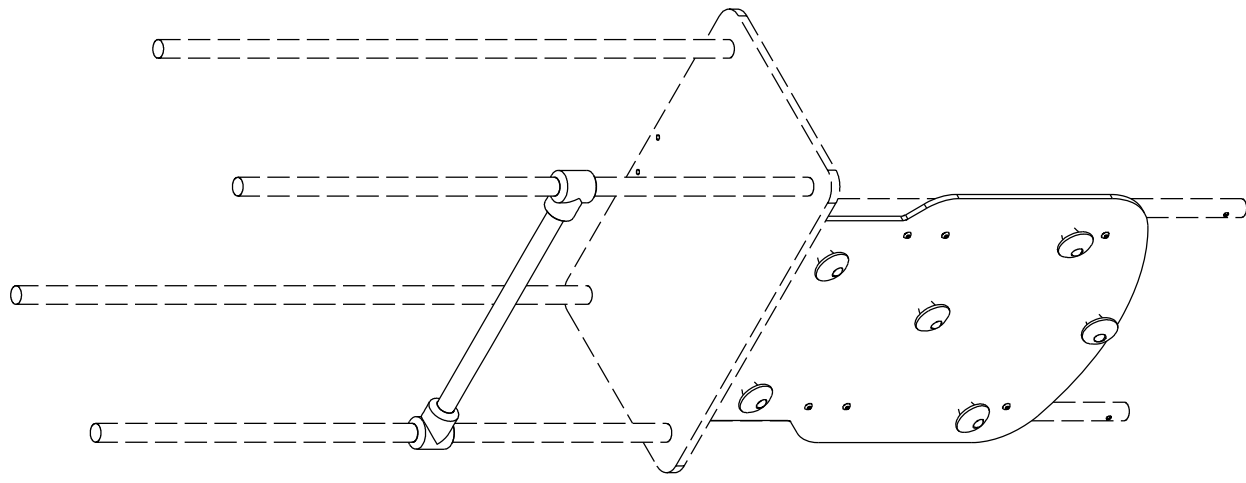
LG3806A



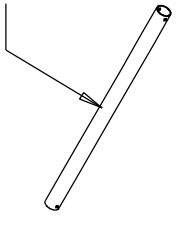
ET3832J



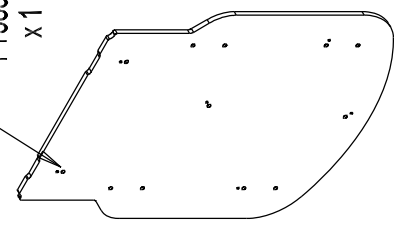




LI3740
x1



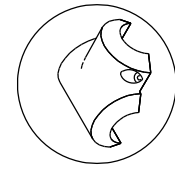
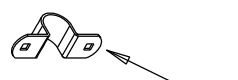
FT3838
x1



MI3800VX x2
MI3800J x2
MI3800O x2

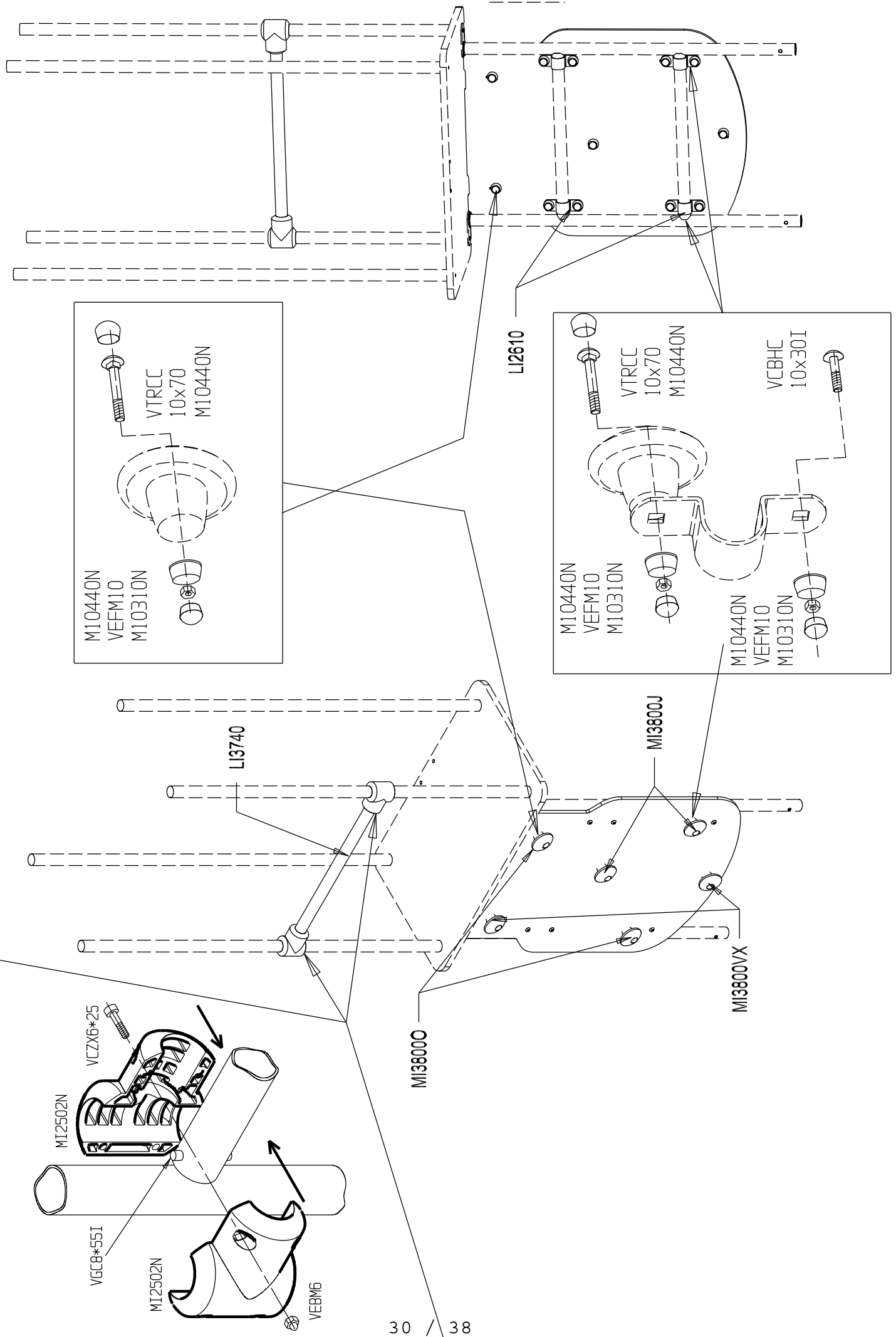


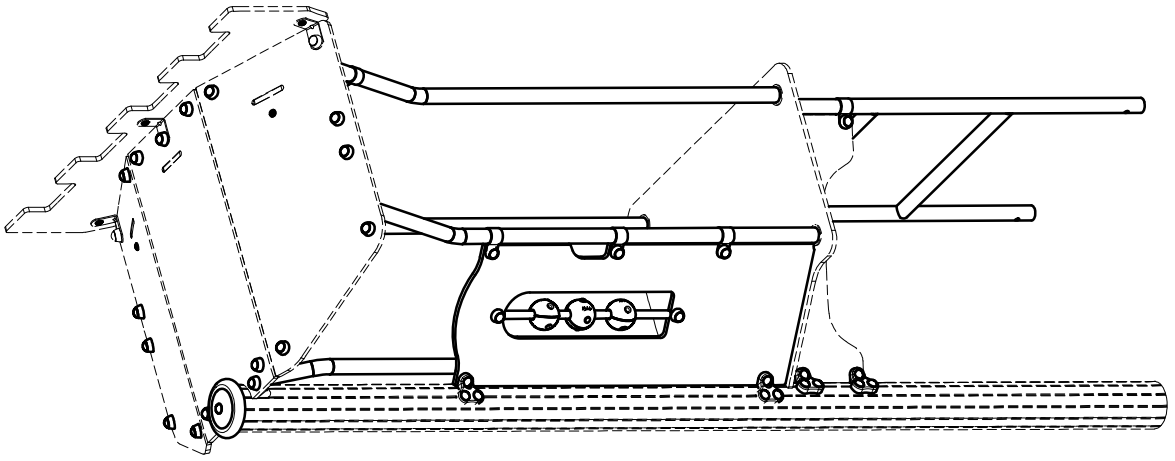
LI2610
x4



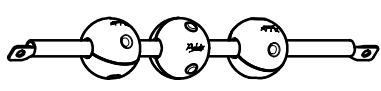
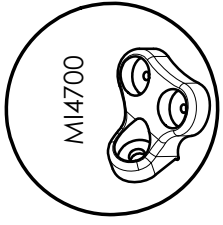
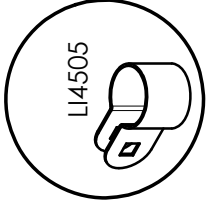
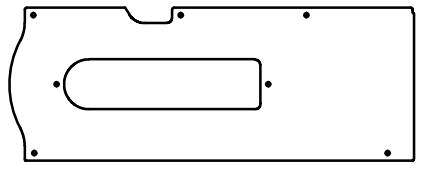
MI2502N x4

	VCZX 6x25	8
	VEBM6	8
	VCBHC10*30I	6
	VTRCC10x70	6
	M10310N	12
	M10440N	18
	VEFM10	12



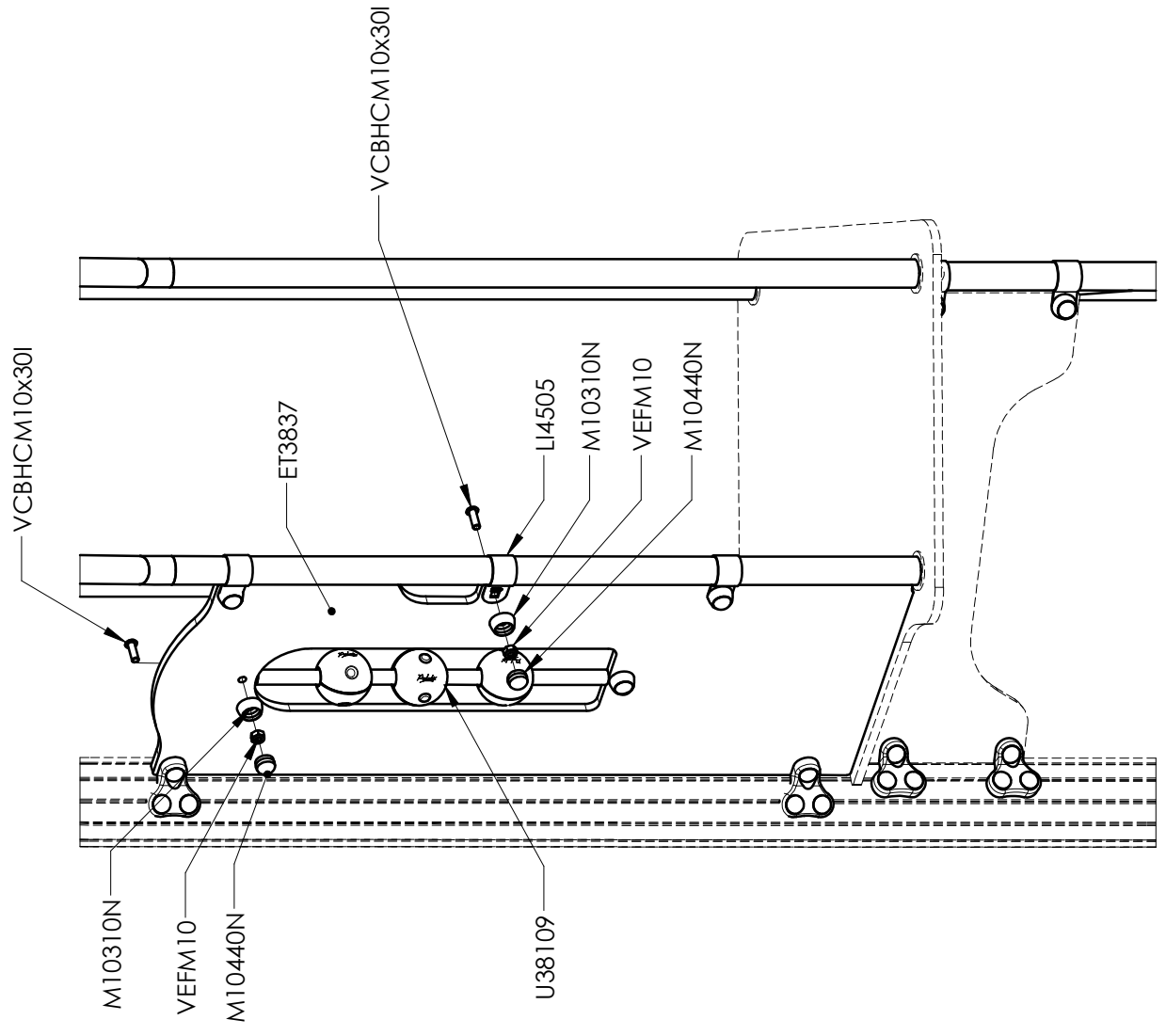


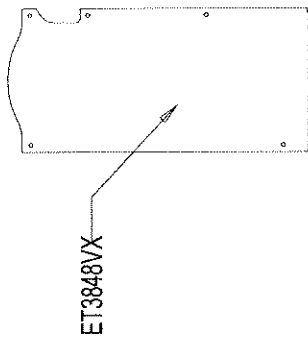
ET3837



U38109

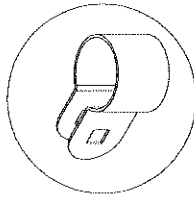
Réf	Qté
ET3837OF	1
LI4505	3
M10310N	5
M10440N	11
MI4700	2
U38109	1
VCBHCM10x30I	7
VEFM10	7
VTH6x30A	4



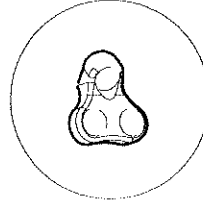


ET3848VX

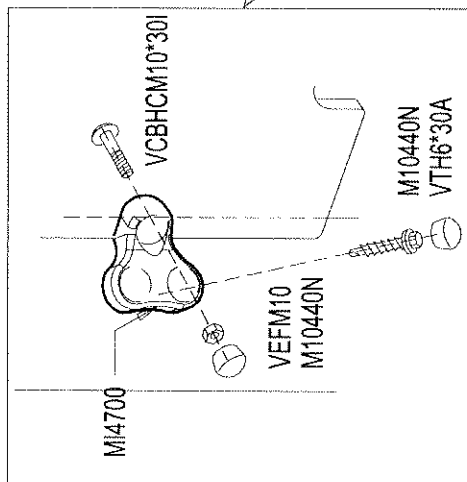
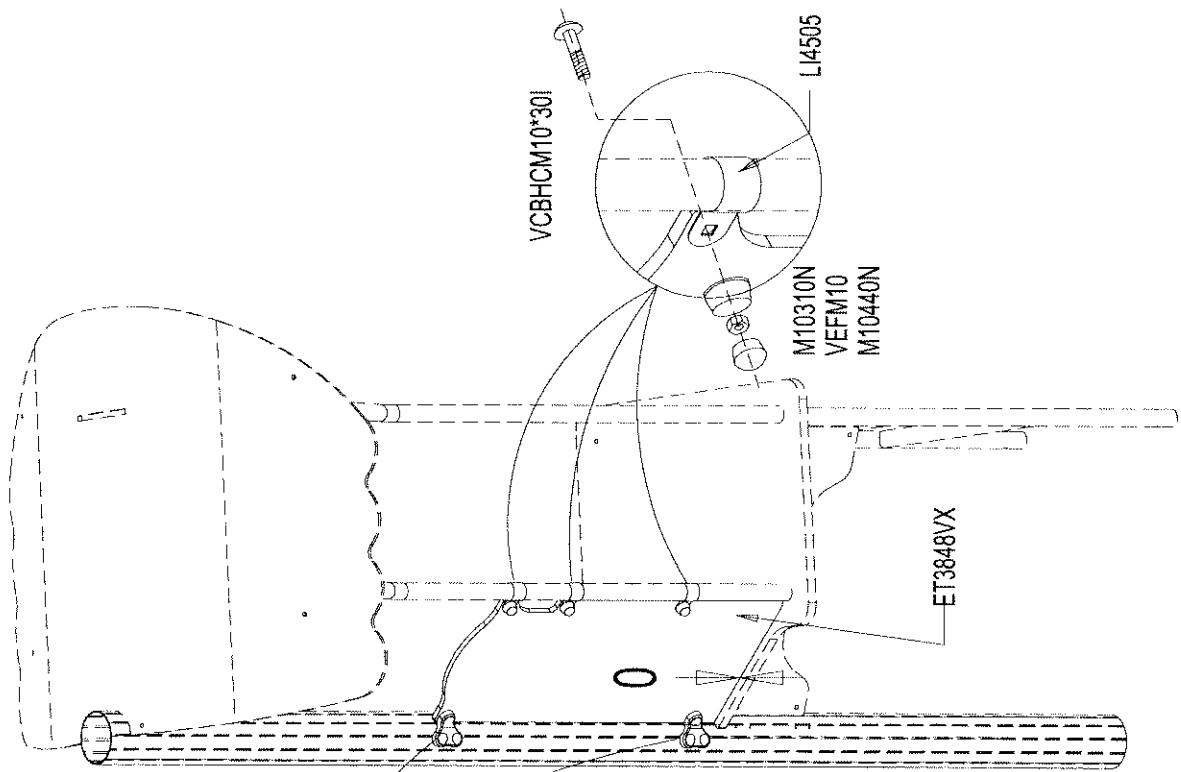
LI4505 x 3

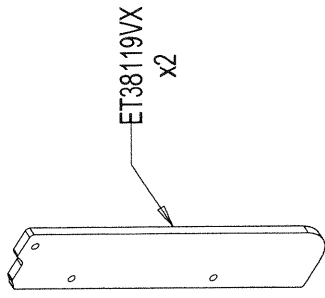
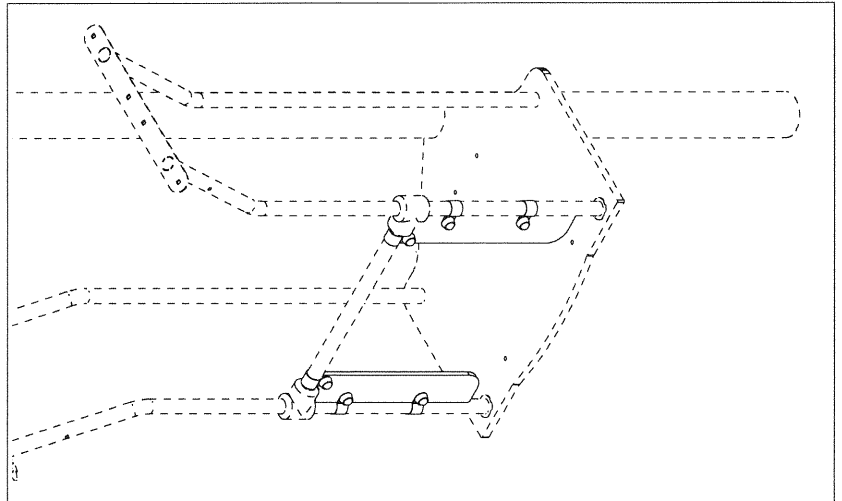
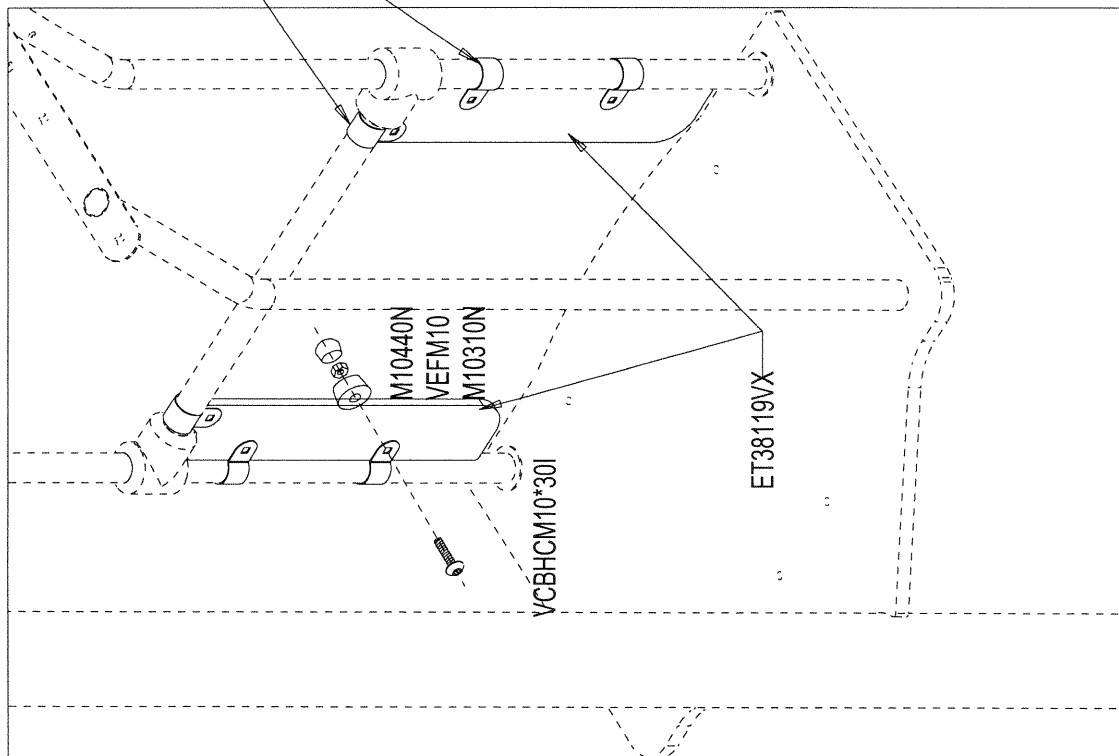


MI4700 X 2

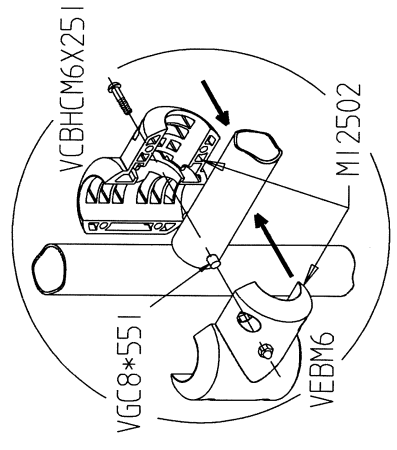
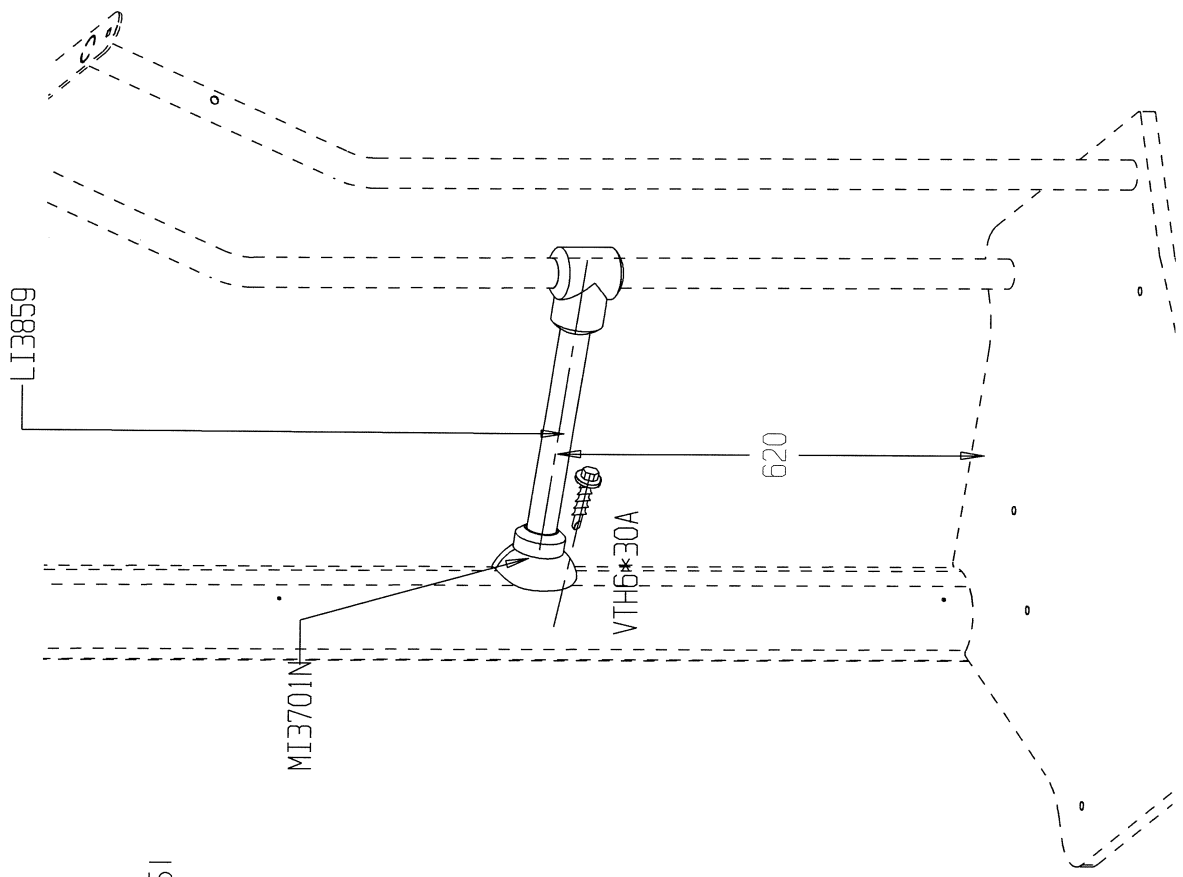
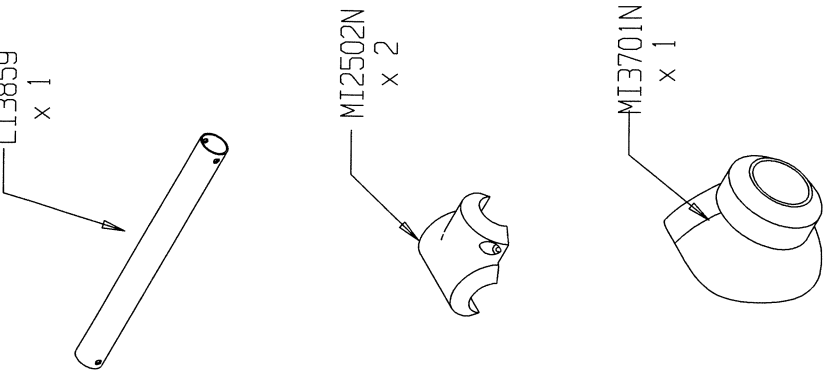


	VTH6*30A	4
	VEFM10	5
	VCBHC10*30I	5
	M10310N	3
	M10440N	3

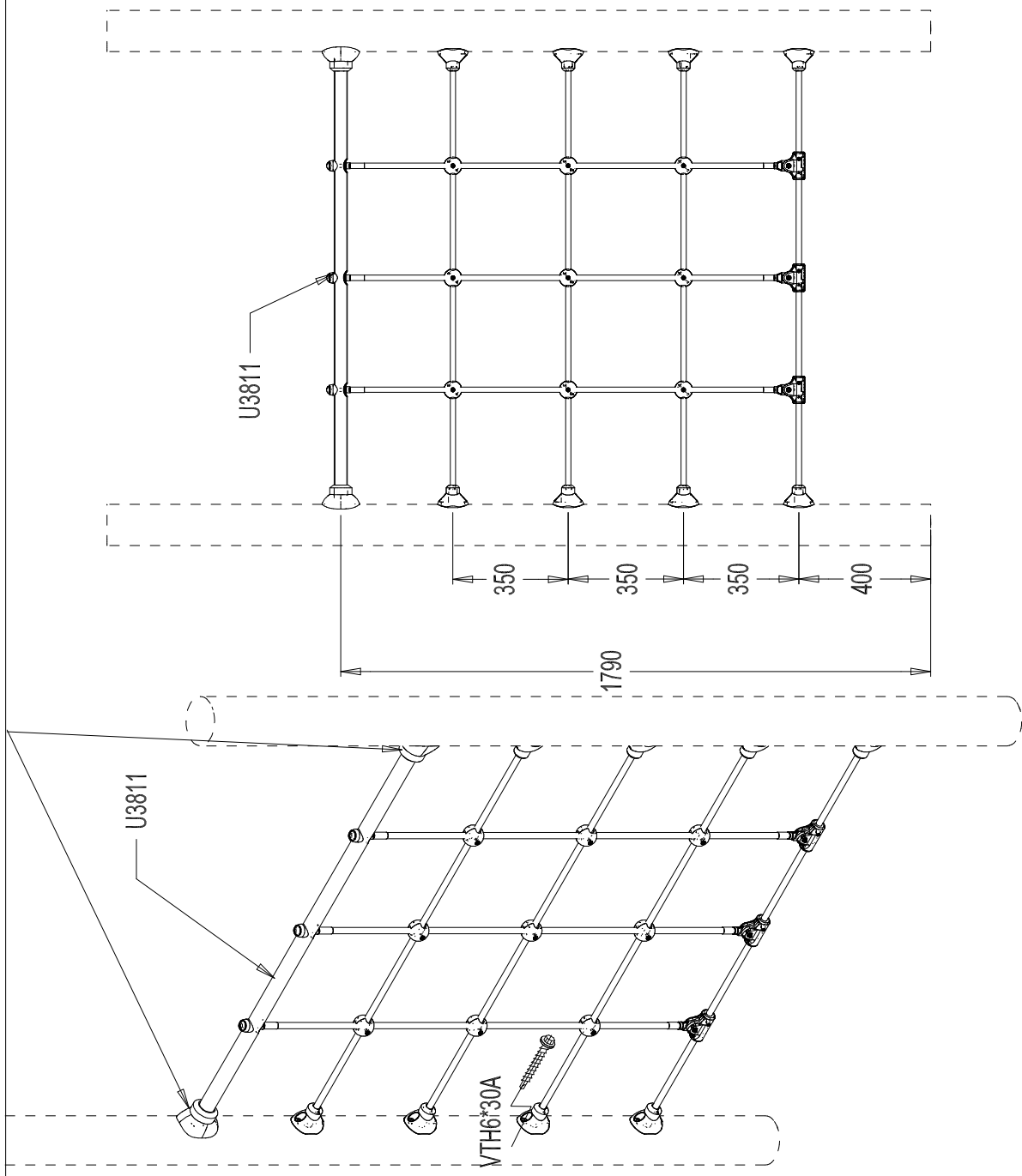
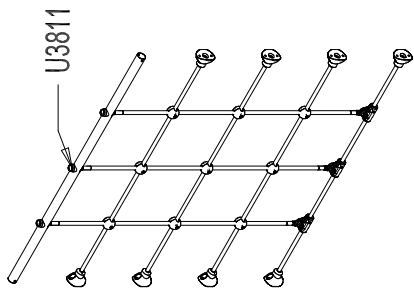
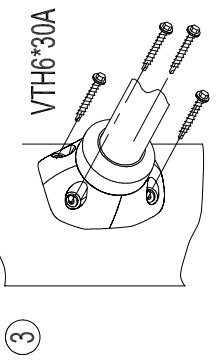
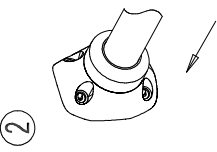
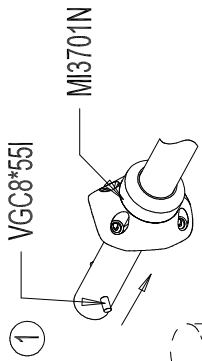




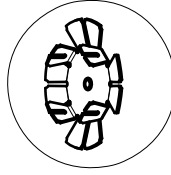
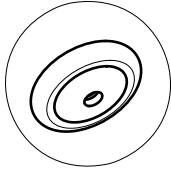
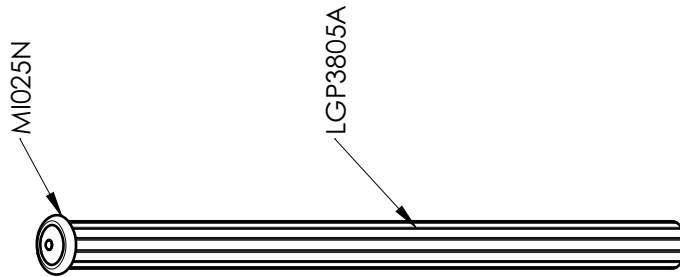
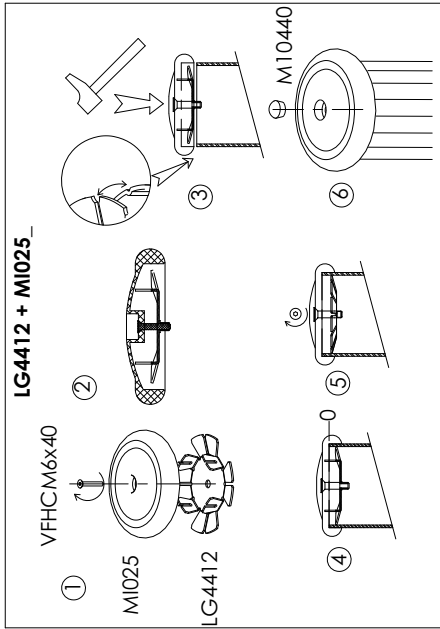
	L14505	6
	M10310N	6
	M10440N	6
	VEFM10	6
	VCBHCM10*30I	6



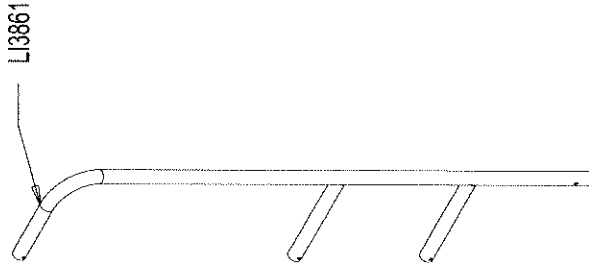
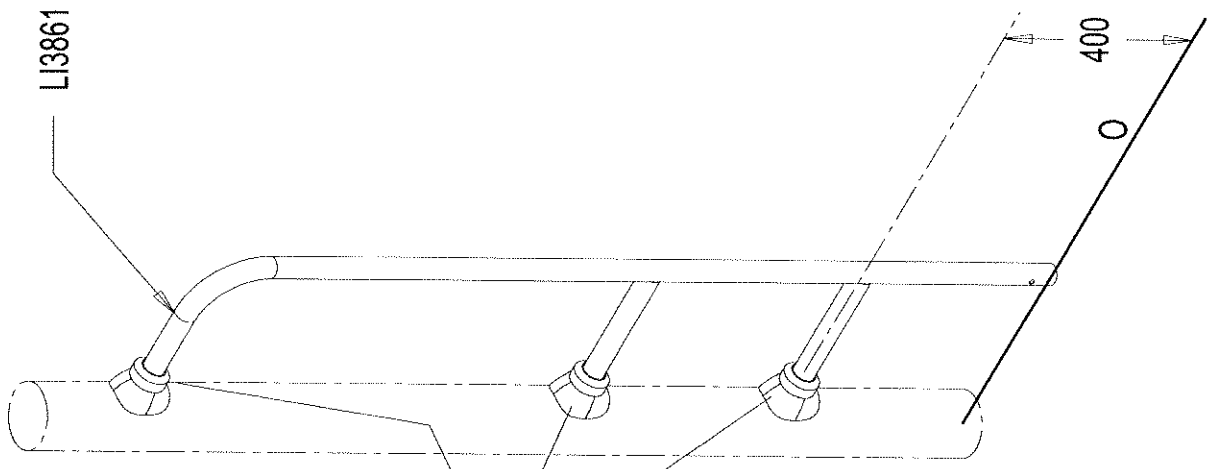
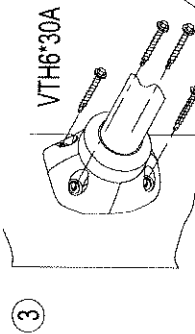
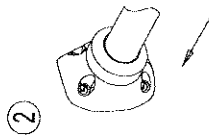
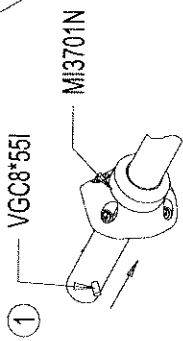
	VGC8*55I	2
	VEBM6	4
	VCBHCM6*25I	4
	VTH6*30A	4


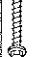



	VGC8*55I	2
	VTH 6x30A	24
	M13701N	2



Réf	Qté
LG4412	1
LGP3805A	1
M10440N	1
MI025N	1
VFHCM6x40	1



	VGC8*55I	3
	VTH 6x30A	12
	MI3701N	3