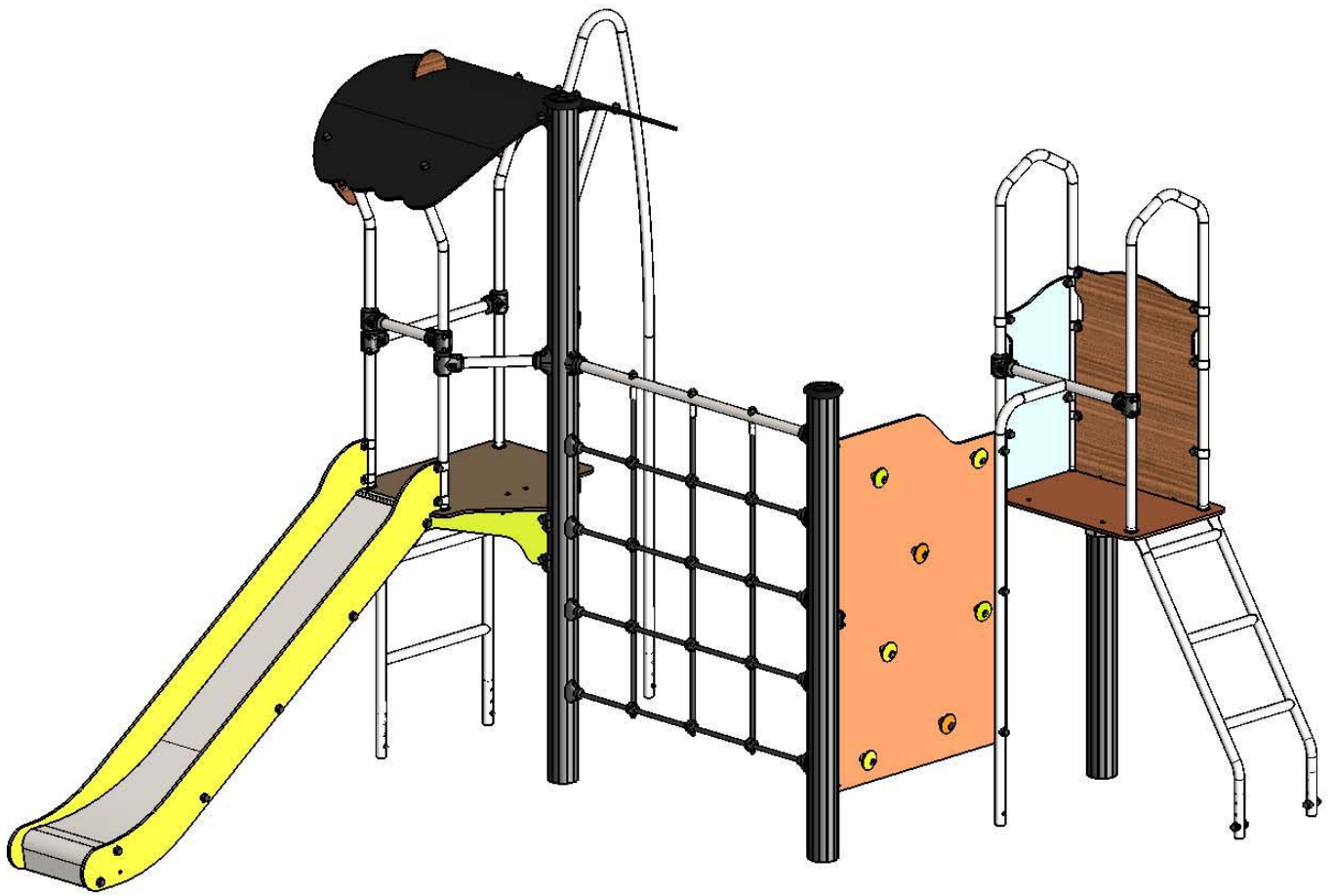
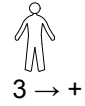


J3833-C

Proludic





N°		
1	1 m	5.5 m ²
2	1.17 m	11.5 m ²
3	1.8 m	8.5 m ²
4	2 m	11.5 m ²

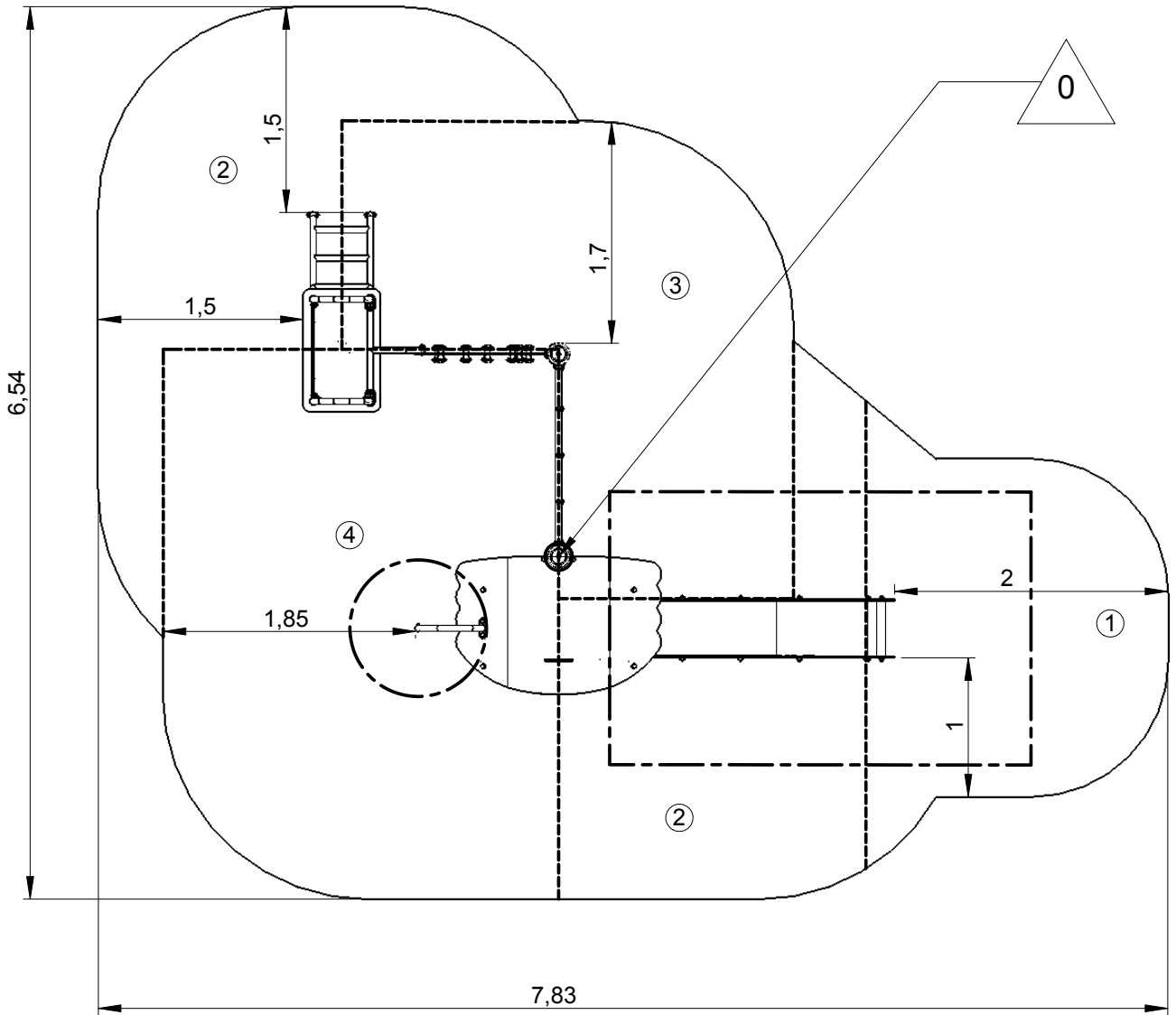
— Zone d'impact
Impact area
Area de impacto
Fallraum
Valzone

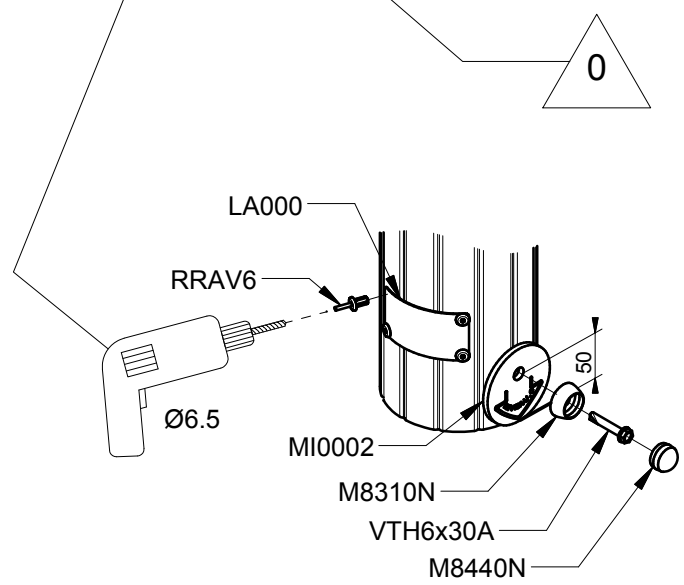
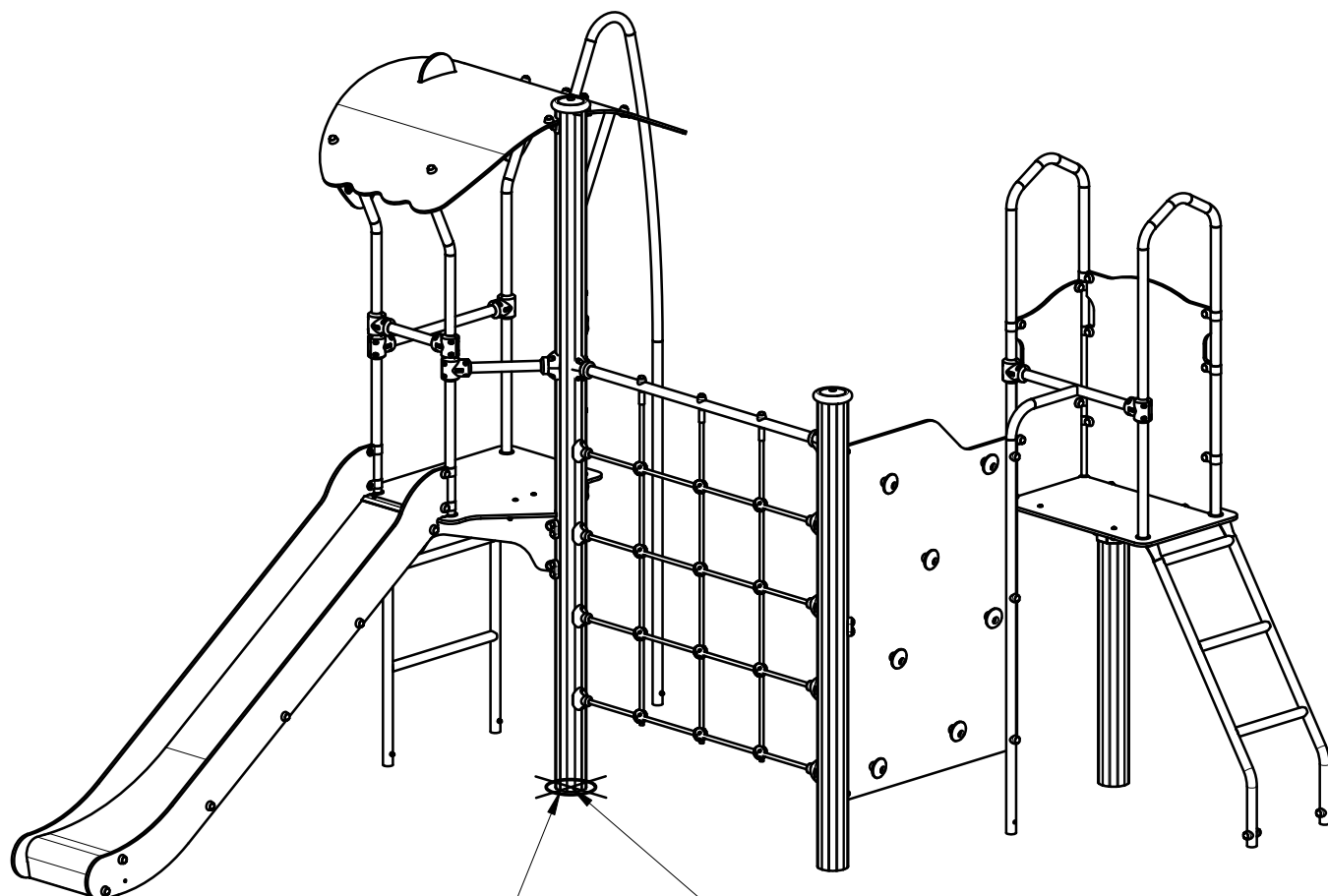
- - - Espace libre
Free space
Espacio libre
Freiraum
Vrije ruimte



Point de référence
Setting out point
Punto de referencia
Bezugspunkt
Referentiepunt

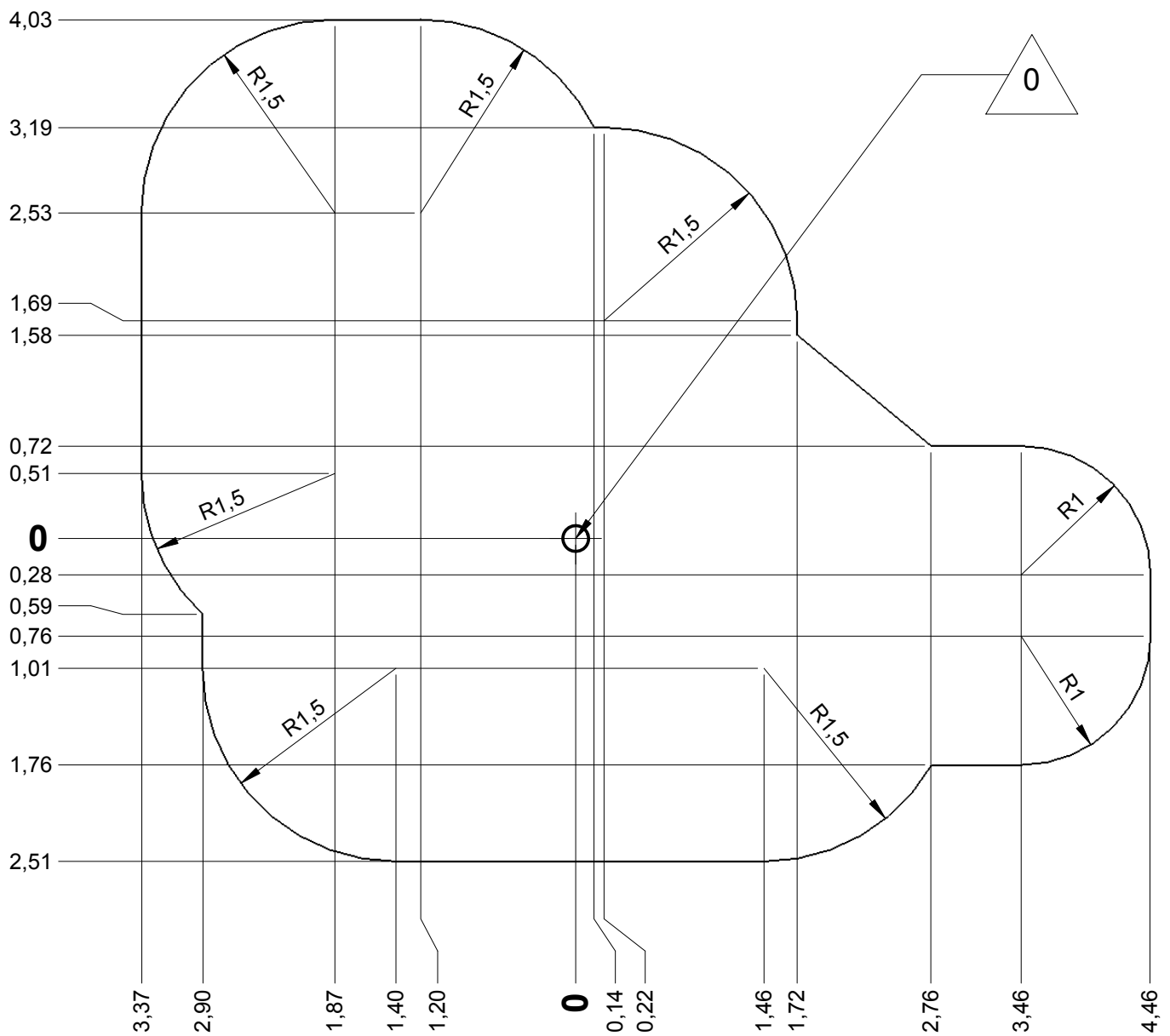
EN1176-1:2017
EN1176-3:2017





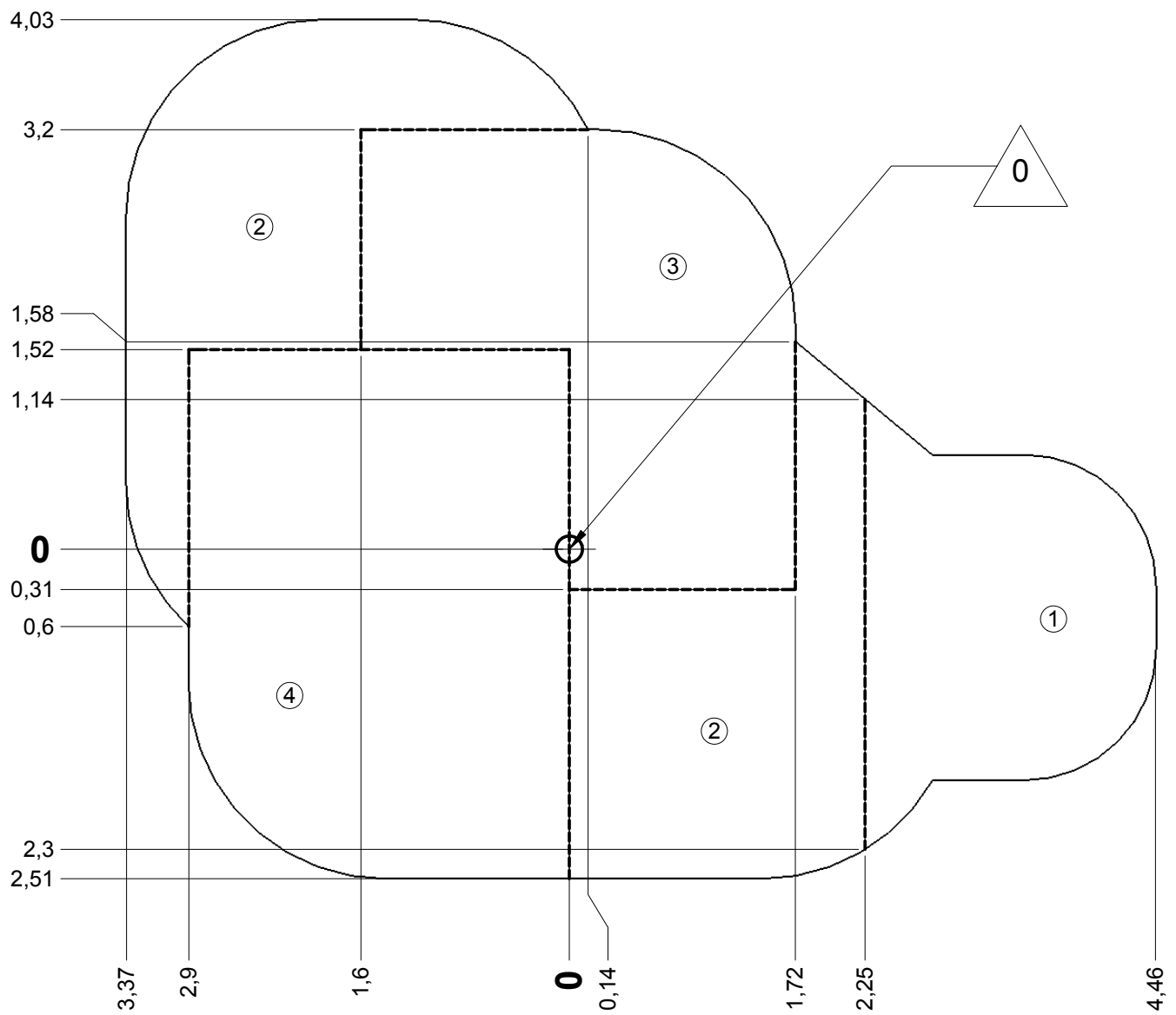
— Zone d'impact
 Impact area
 Area de impacto
 Fallraum
 Valzone

37 m²



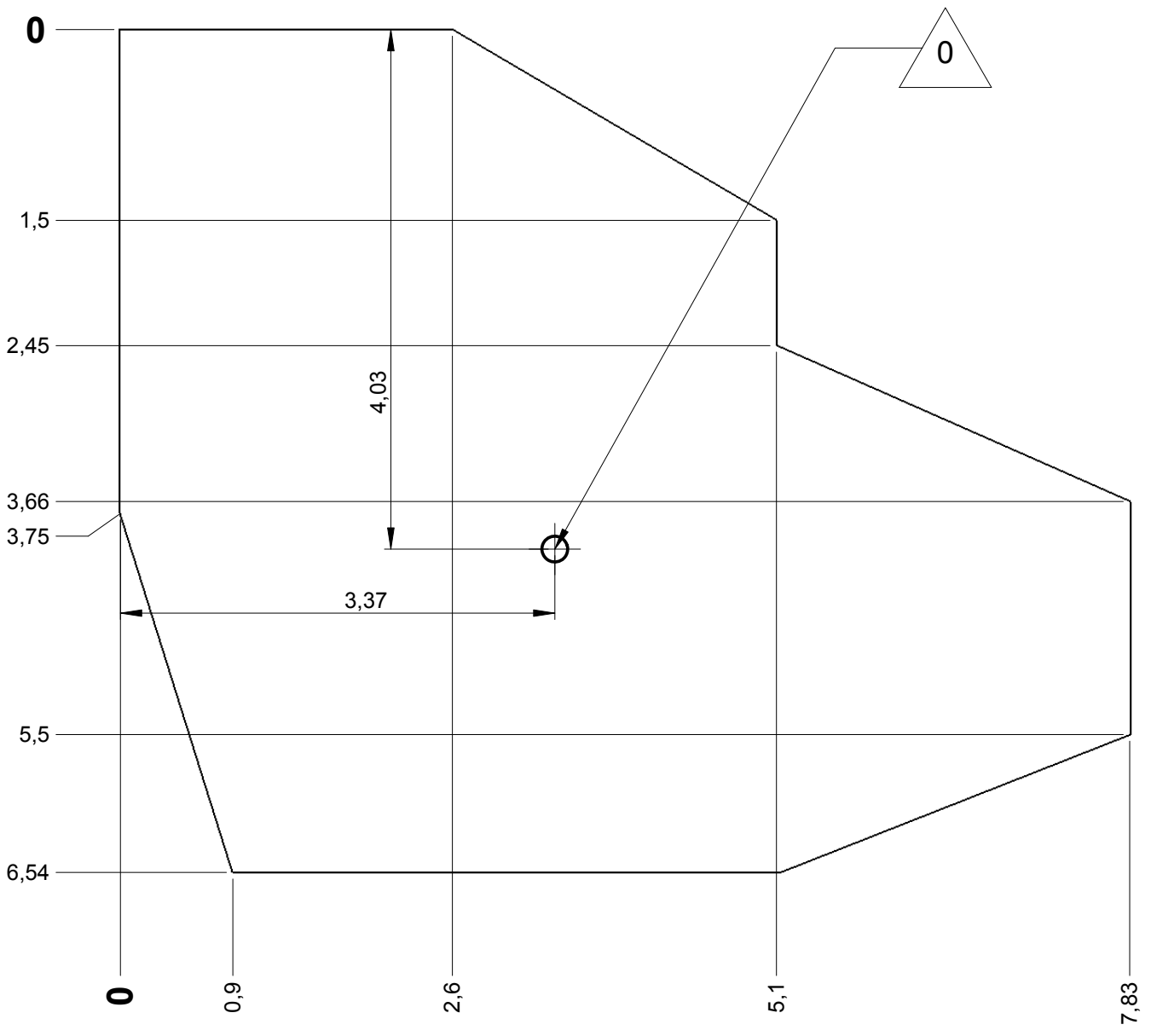
— Sol souple
 Wetspour
 Caucho continuo
 Synthetischer fallschutz
 Gietvloer

37 m²



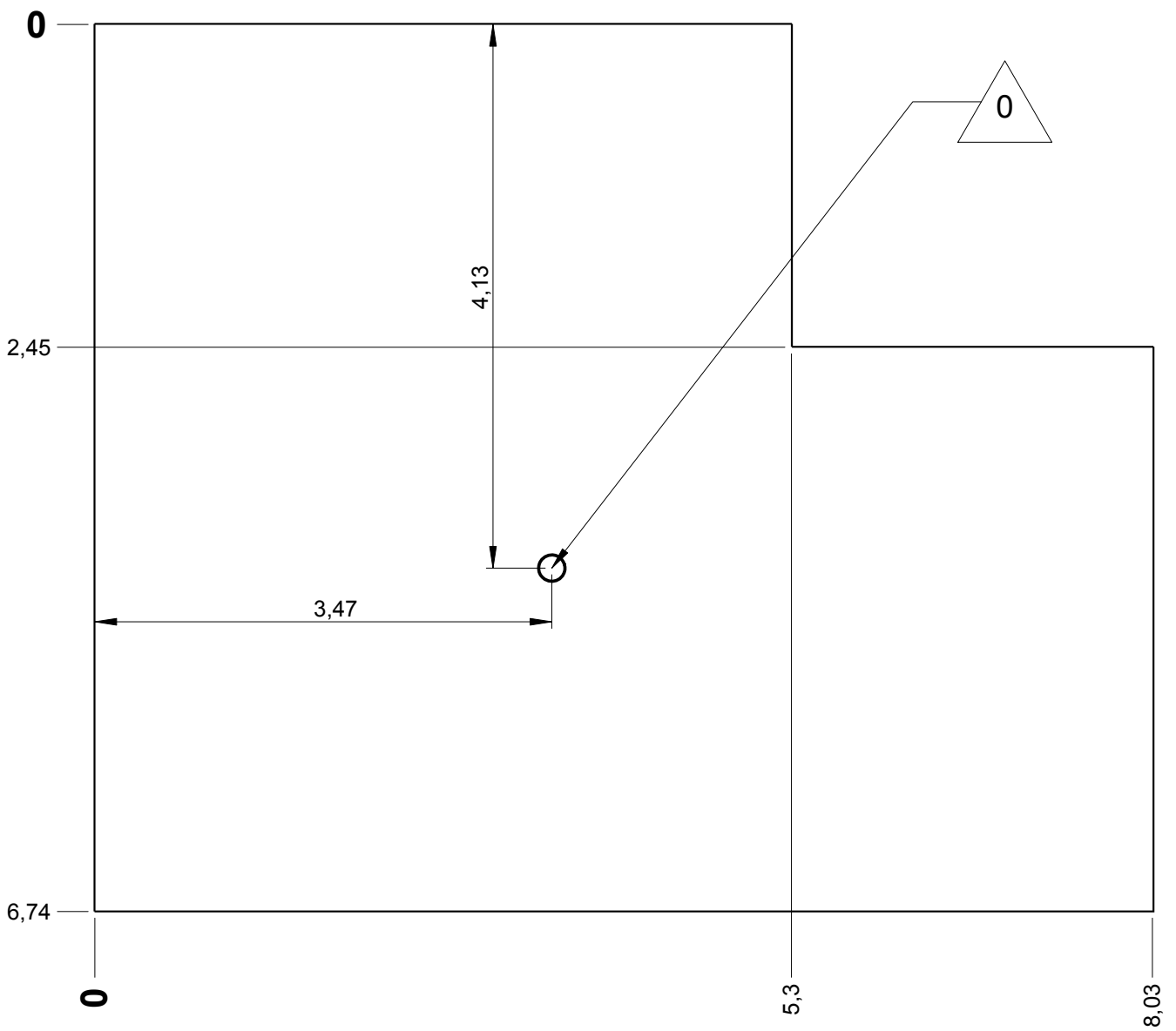
— Dalle béton
 Concrete pad
 Solera de hormigon
 Beton bodenplatte
 Betonnen bodemplaat

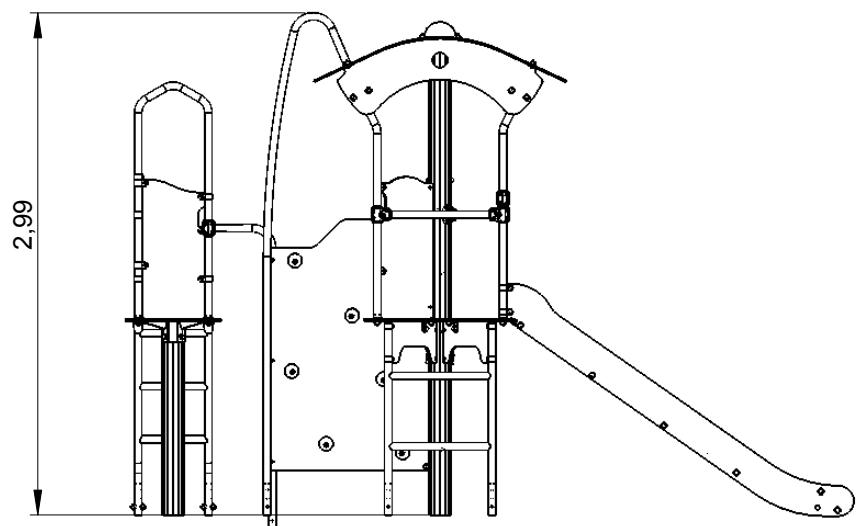
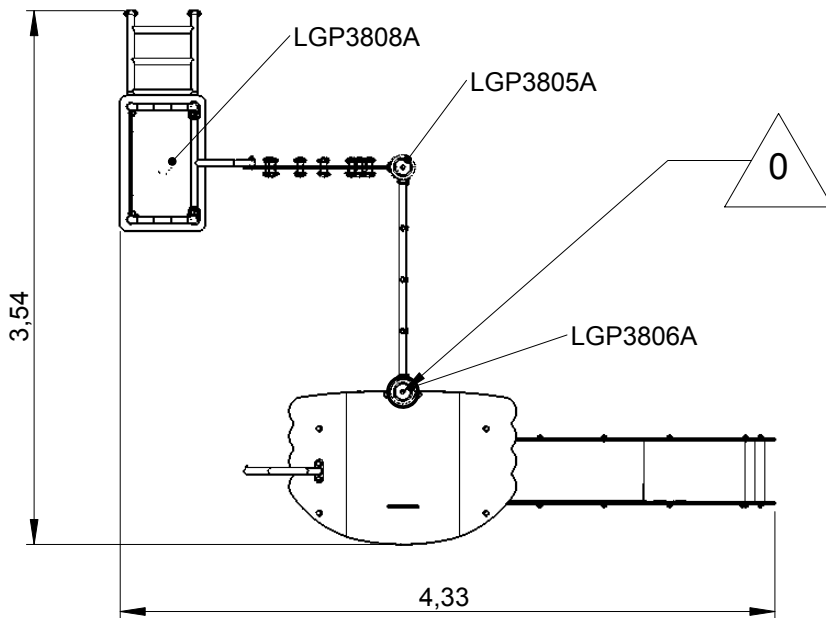
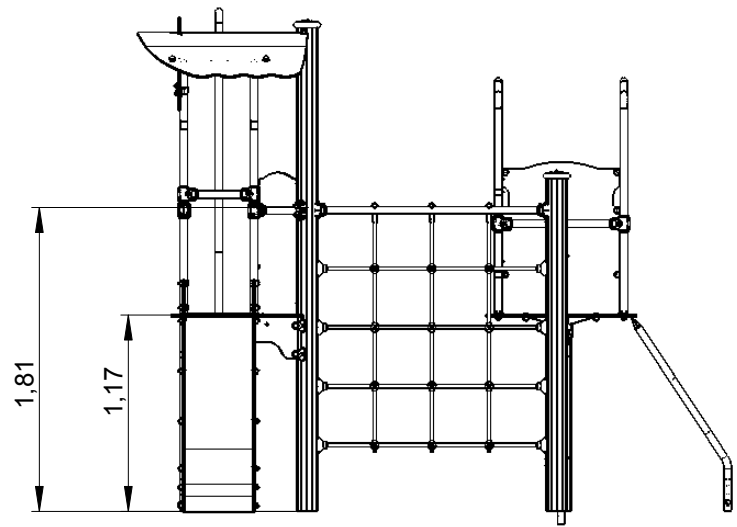
26 m
 39 m²



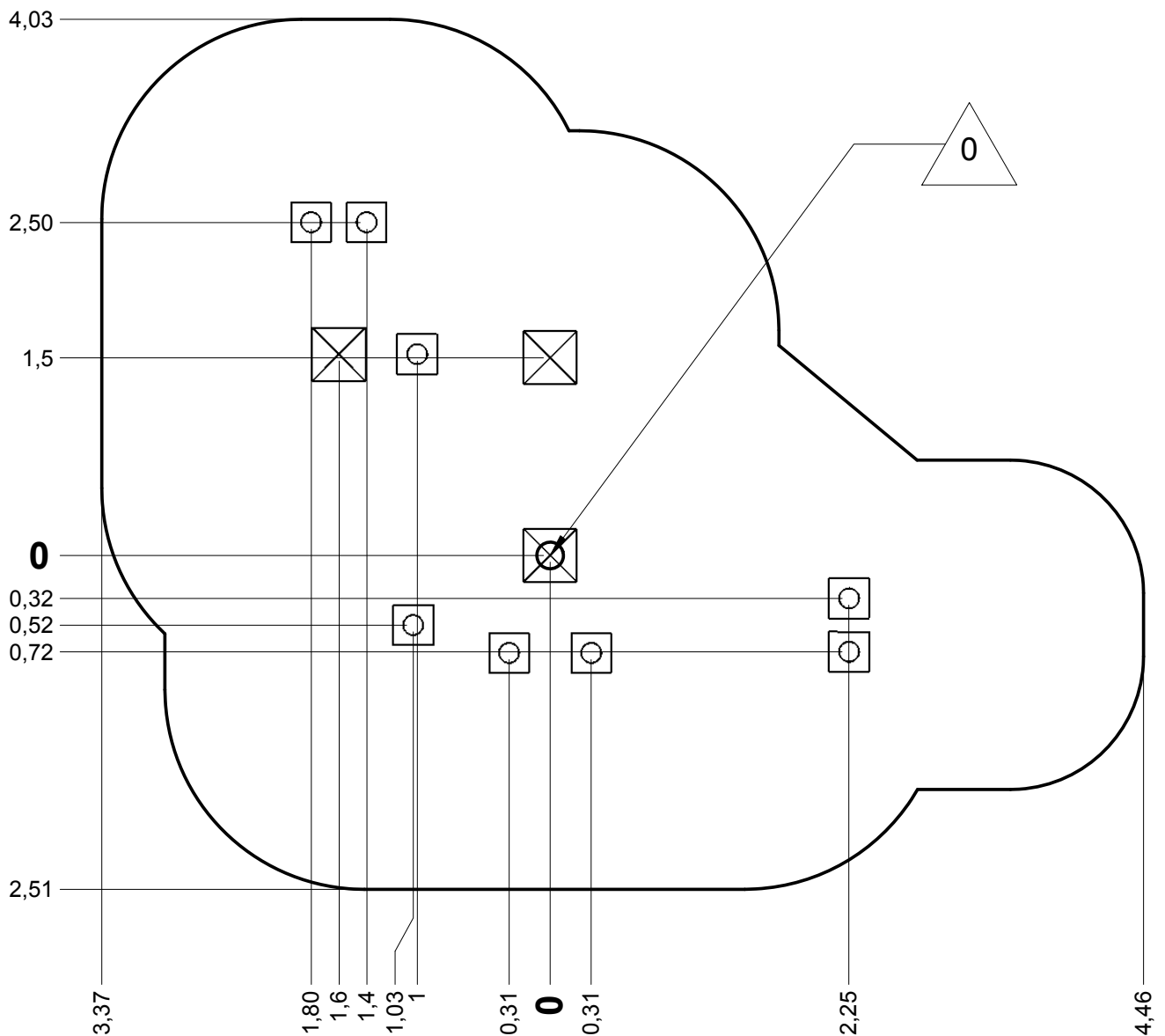
— Sol fluent
Loos partucule material
Arenero
Loses Bodenmaterial
Los bodemmateriaal

30 m
48 m²

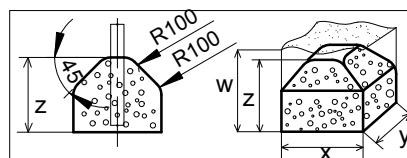


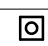




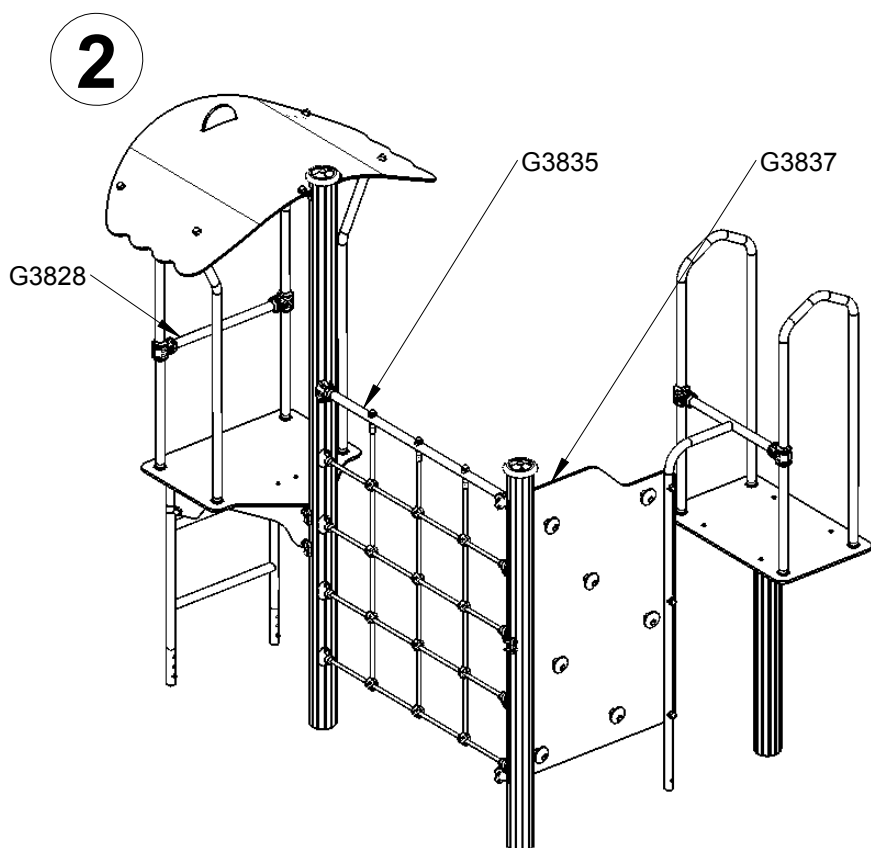
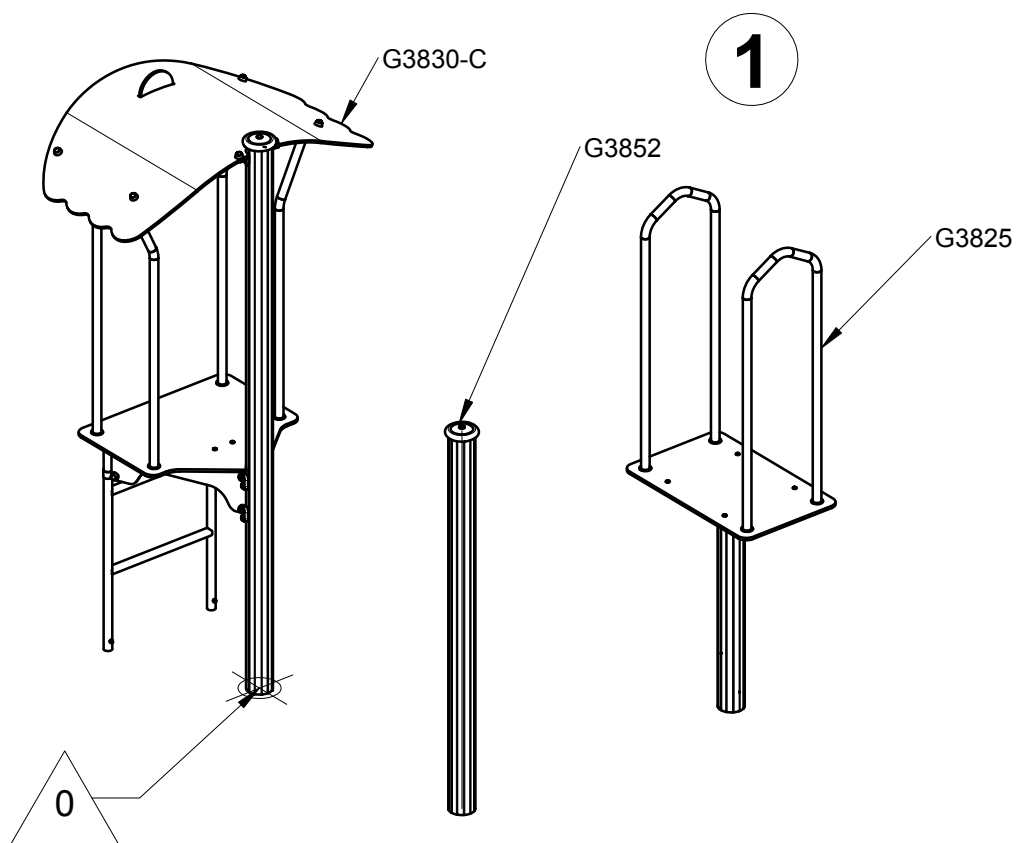
Implantation
 Footing plan
 Implantación
 Fundomentplan
 Funderingstekening



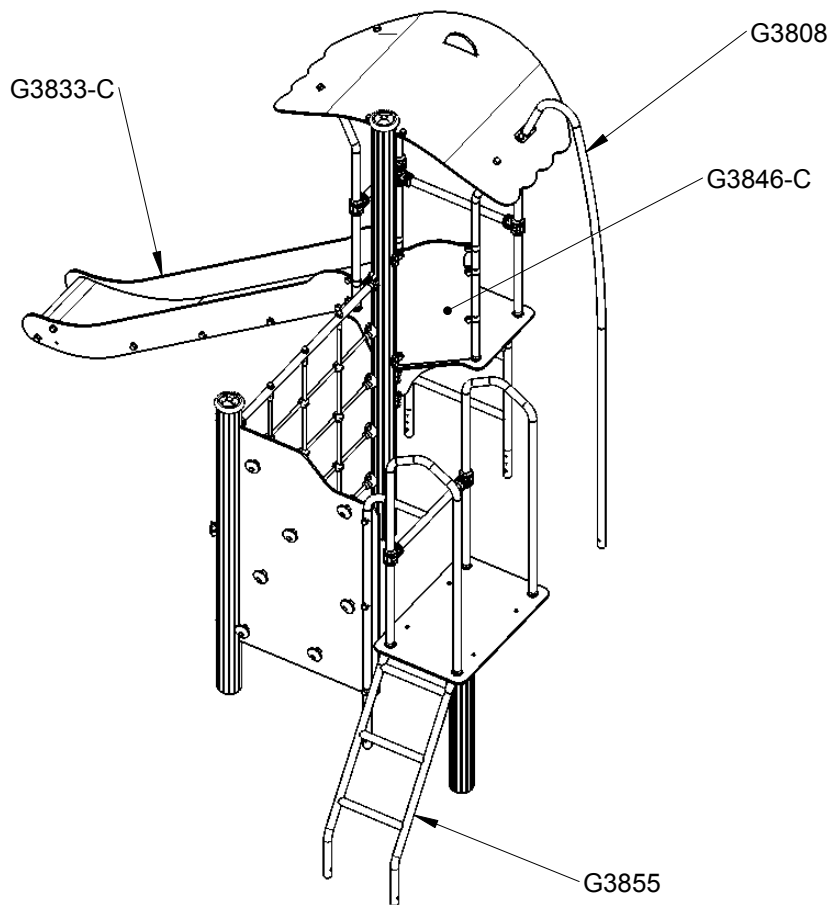
 x2
 12H
 0.4 m³



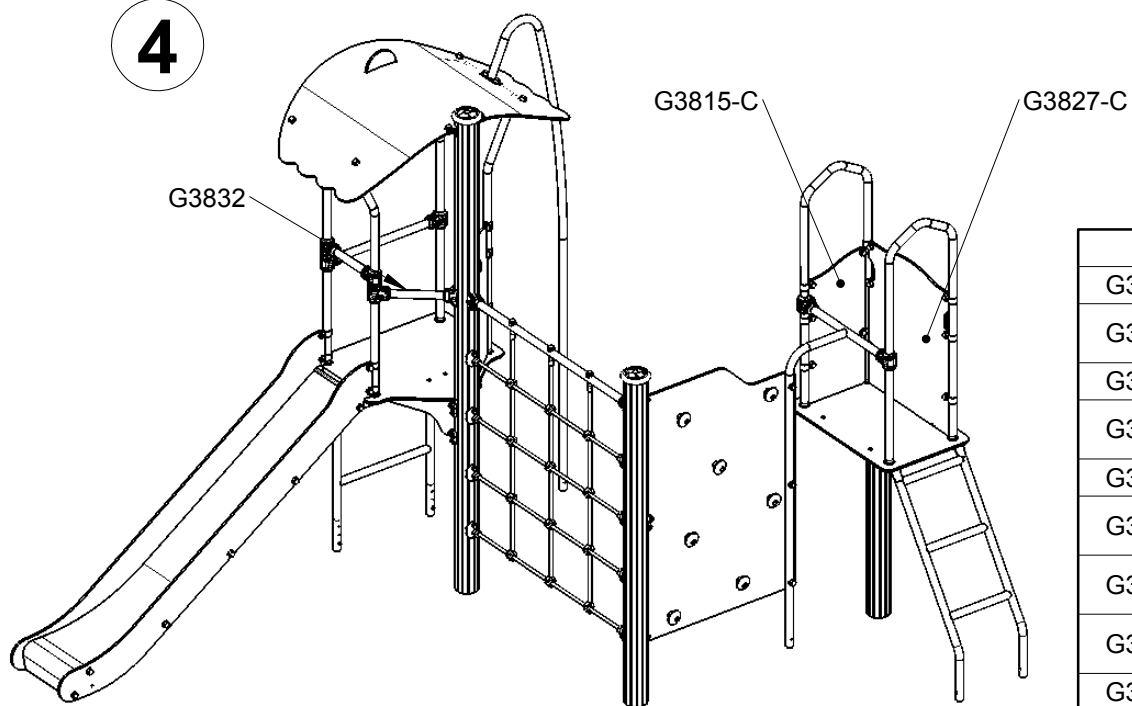
	x	y	z	w
	0.3	0.3	0.3	0.6
	0.4	0.4	0.3	0.6
	0.6	0.3	0.3	0.6



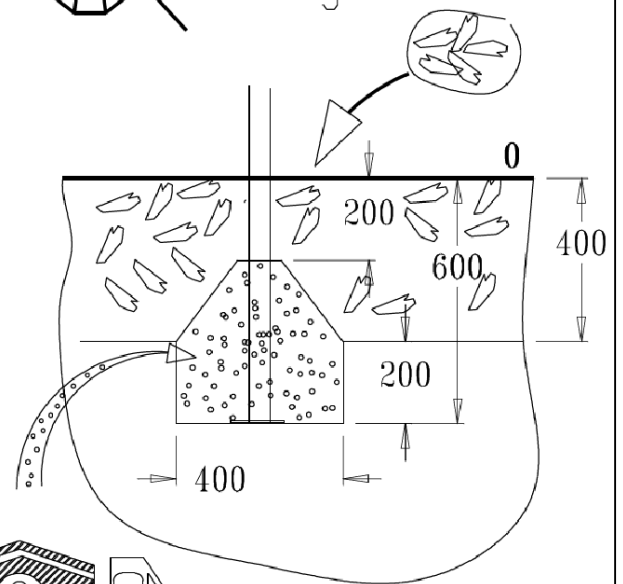
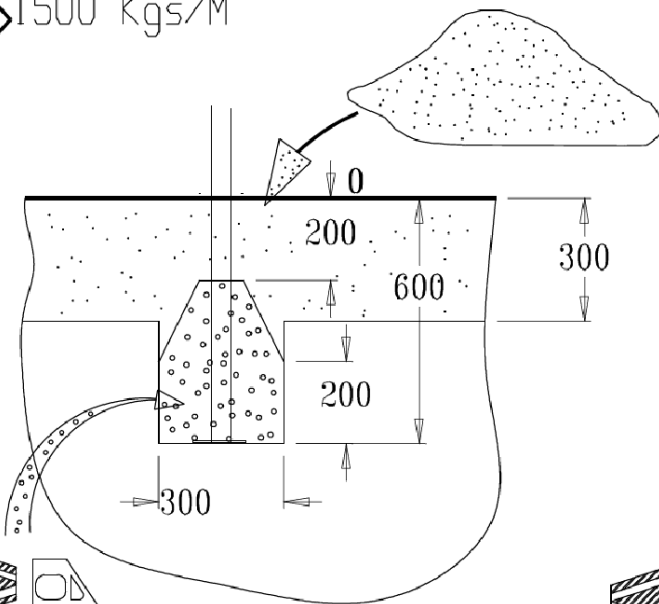
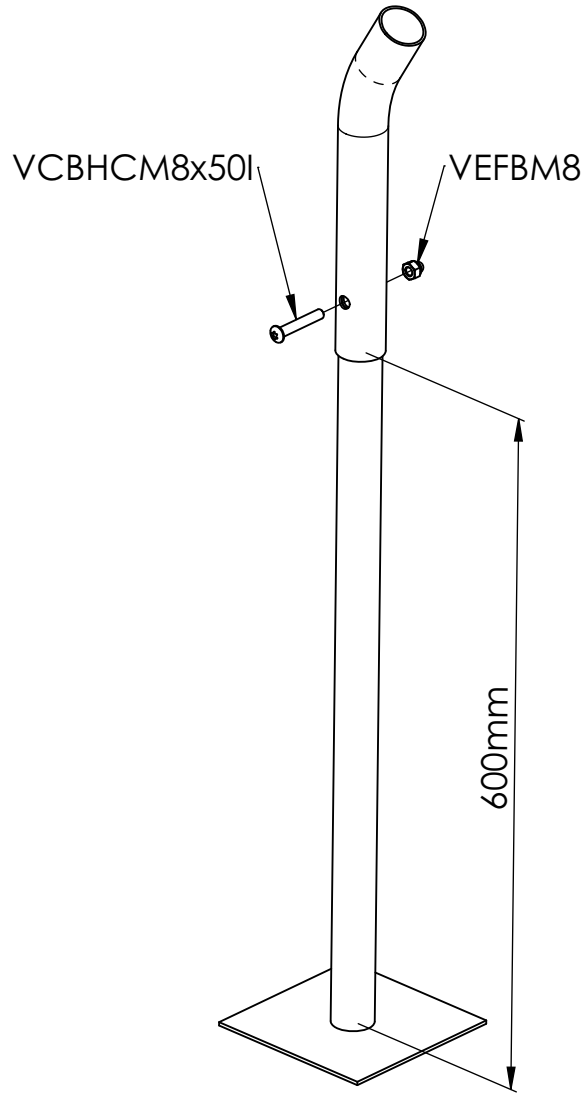
3



4

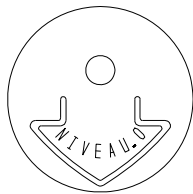


Réf	Qté
G3808	1
G3827-C	1
G3825	1
G3815-C	1
G3828	1
G3846-C	1
G3833-C	1
G3830-C	1
G3832	1
G3837	1
G3852	1
G3835	1
G3855	1



A

Proludic



MI0002

VCBHCM10

M10310N
VEFM10
M10440N

LG08

M10440N
VEFM10
MI2503

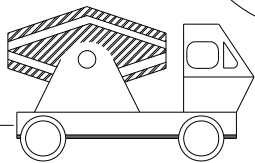
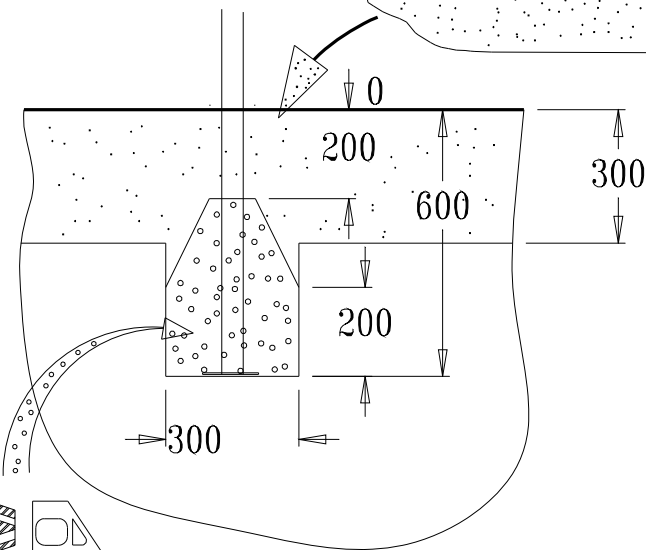
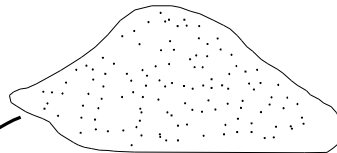
LG3802

M10440N
VTH10*80
MI2503

LG3804



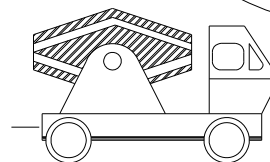
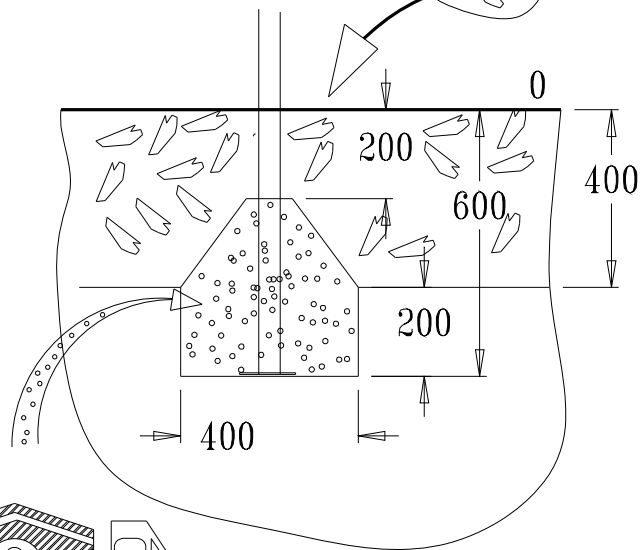
> 1500 Kgs/M³



50 Kgs



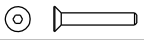
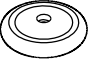


< 1500 Kgs/M³

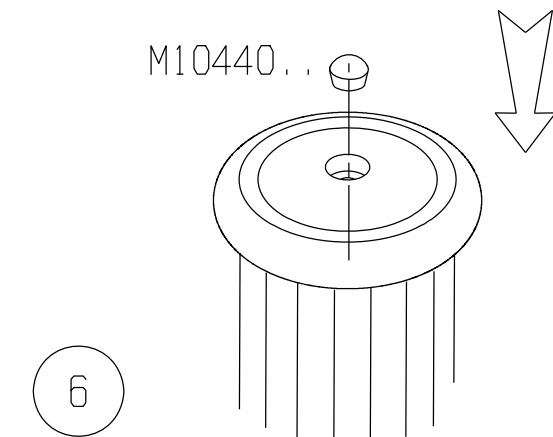
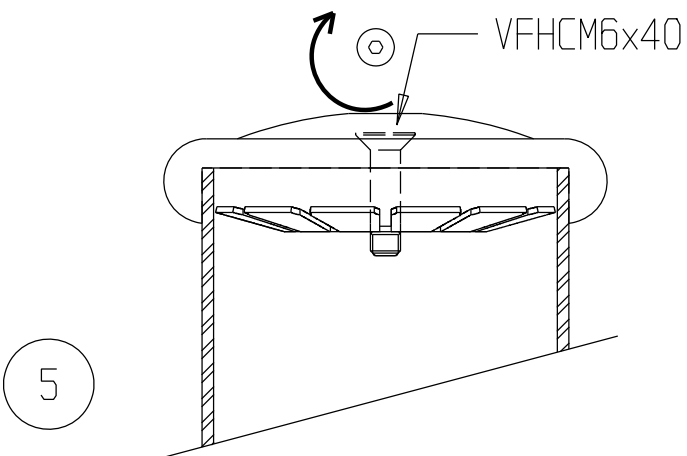
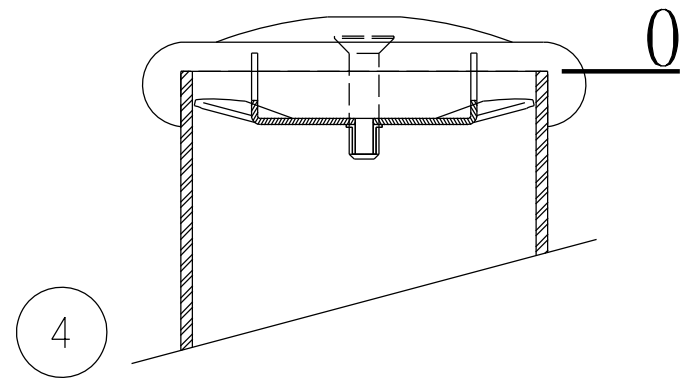
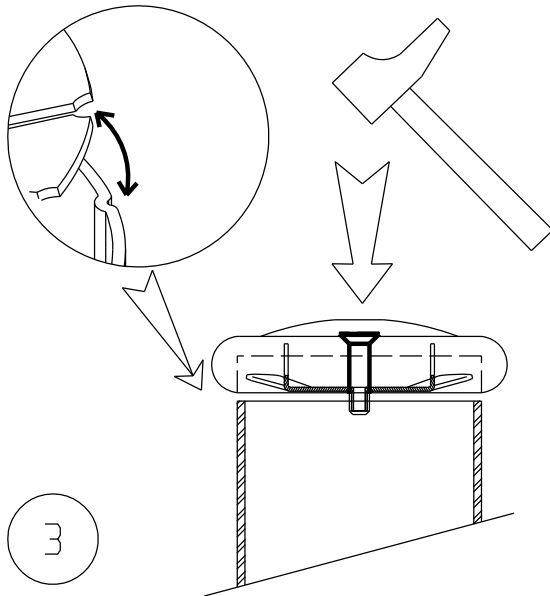
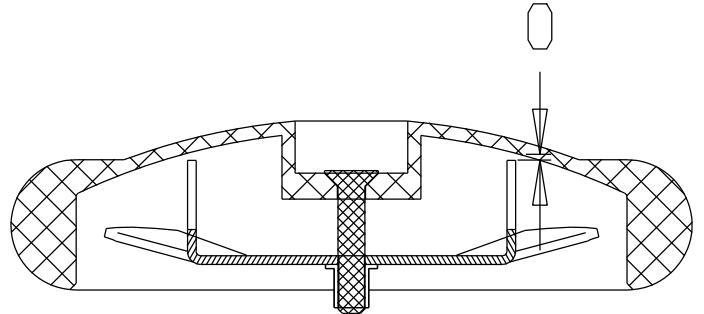
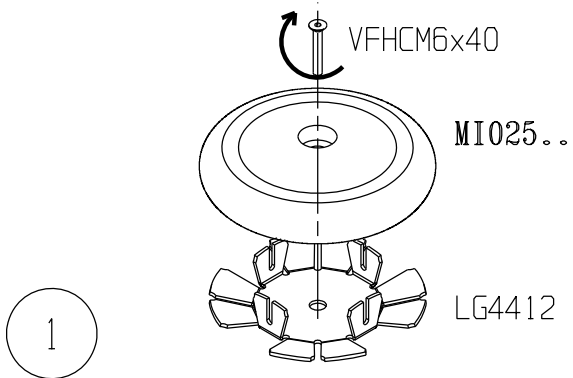


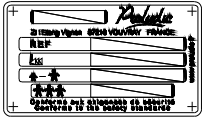
90 Kgs

LG4412 + MI025 ..

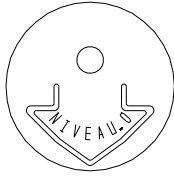
ProLudic

	VFHCM6x40	1
	MI 025..	1
	M10440..	1
	LG4412	1

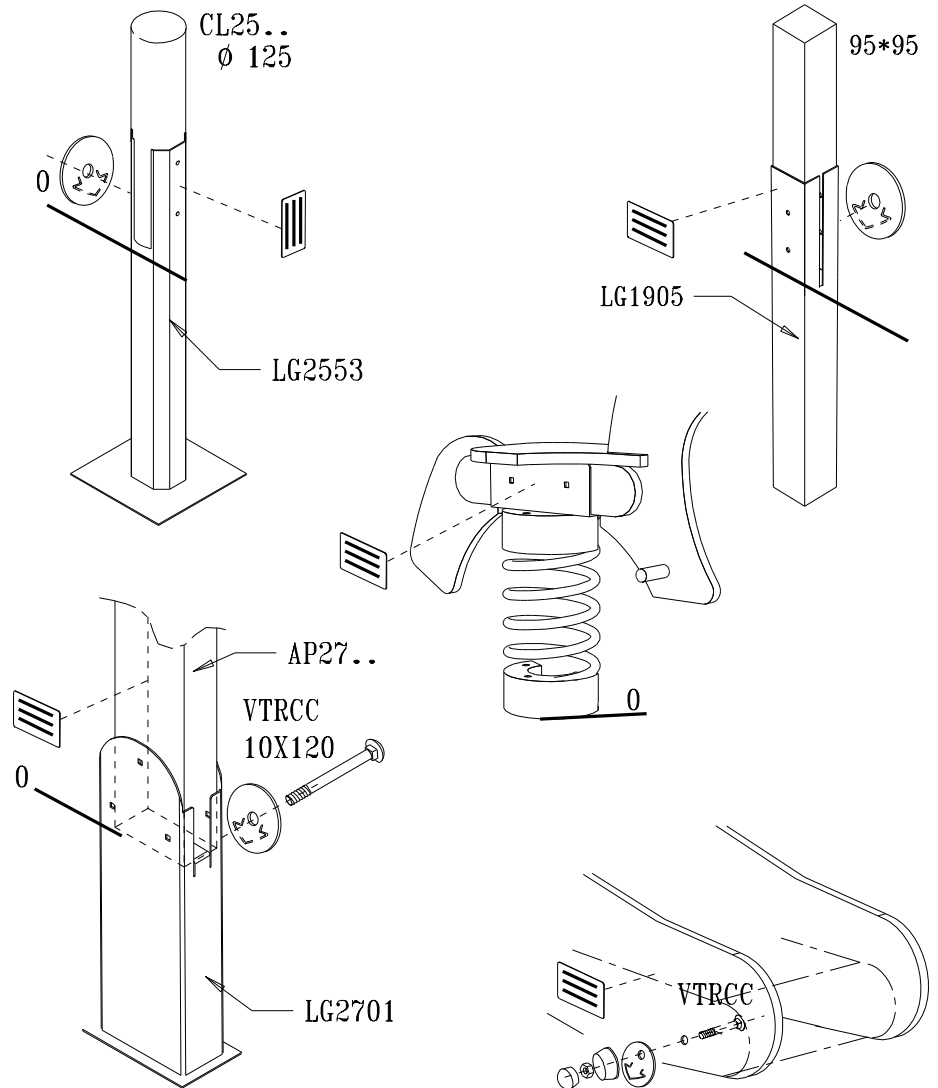
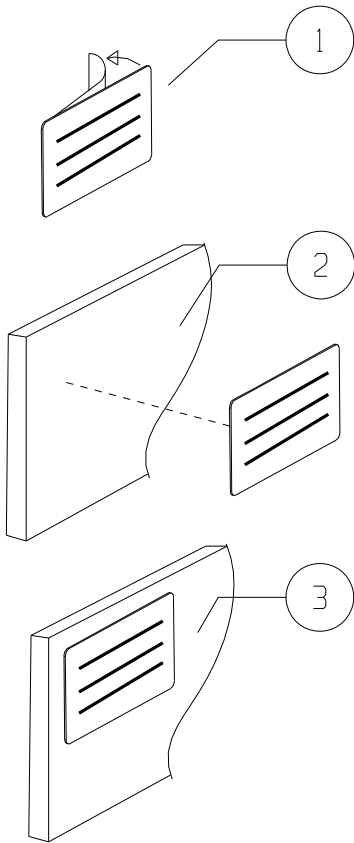
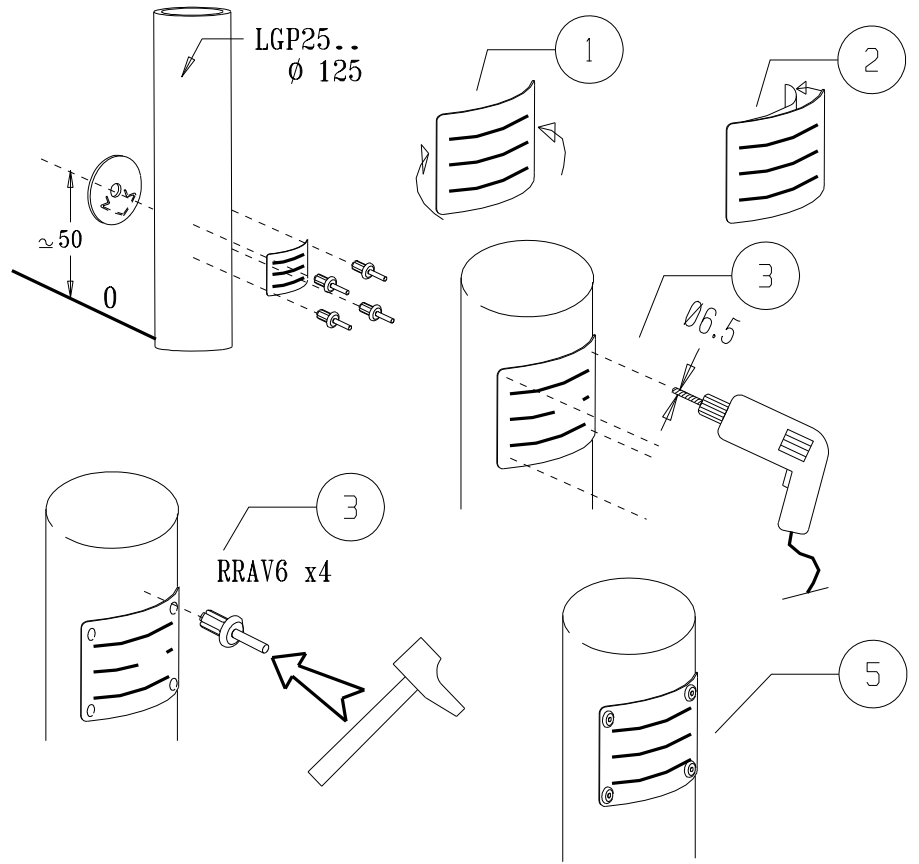


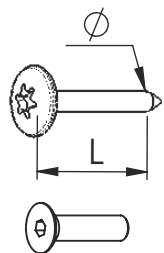


LA000



MI0002





VBT 6 x 30
 \varnothing \uparrow L (mm)

VFHC



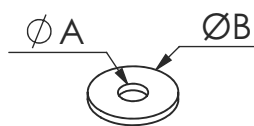
VEC M10
 \varnothing



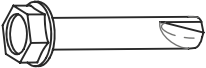
VEF




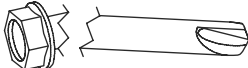
VEB



VR6x18
 $\varnothing A$ $\varnothing B$




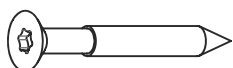
VTHA

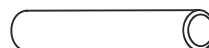
1000 - 1800 tr/min
 Vitesse de rotation
 Rotation speed

14 N.m
 Couple de rupture
 Torque of break

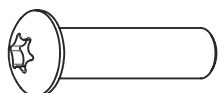




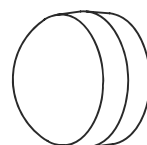
VWT



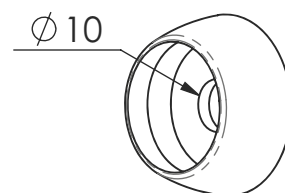
VGC



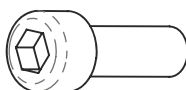
VCBHC



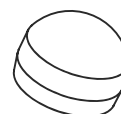
M10 440N



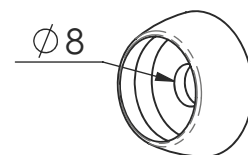
M10 310 N



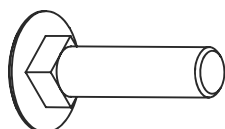
VBTR



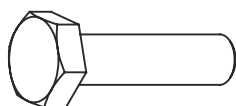
M8440N



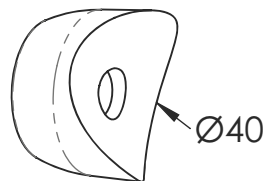
M8310N



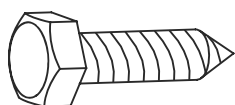
VTRCC



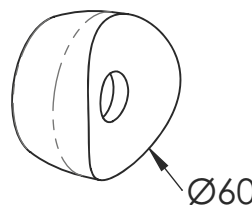
VTH



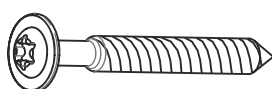
MI2503



VTF

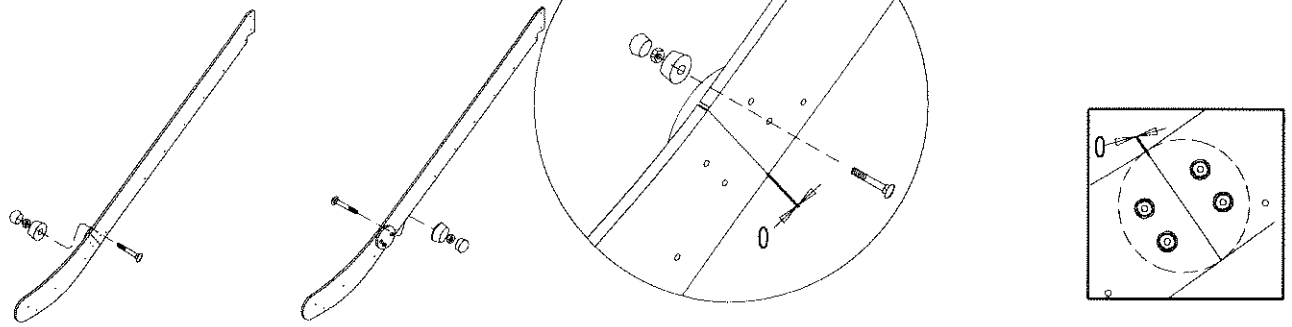


MI2701

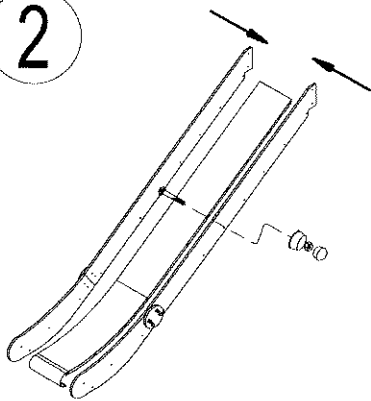


VBT

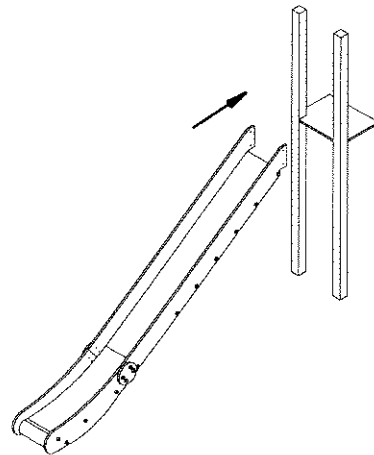
1



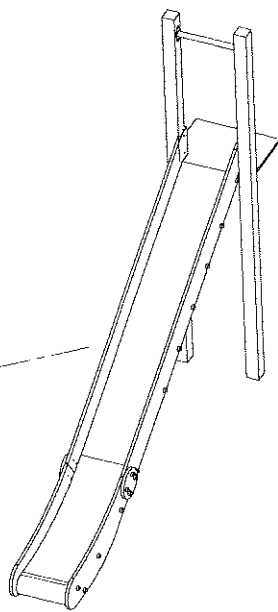
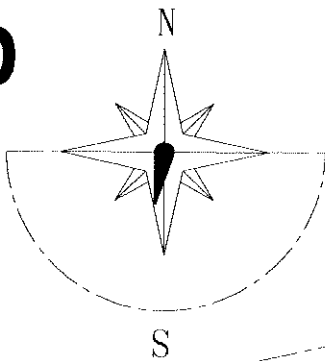
2



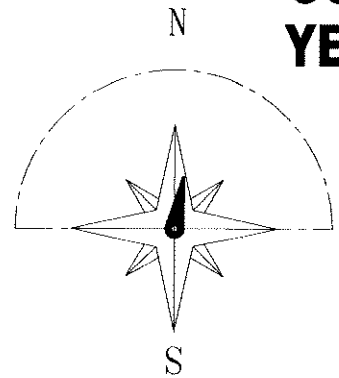
3



NON
NO

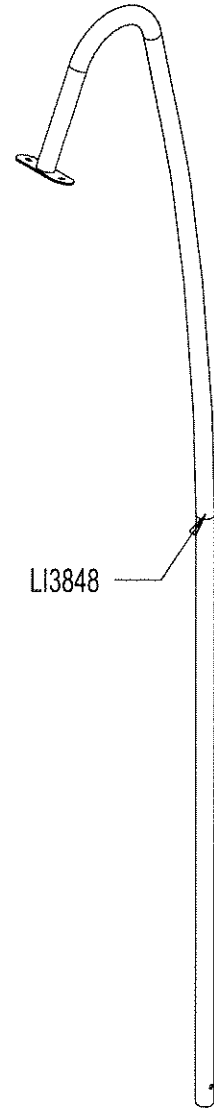
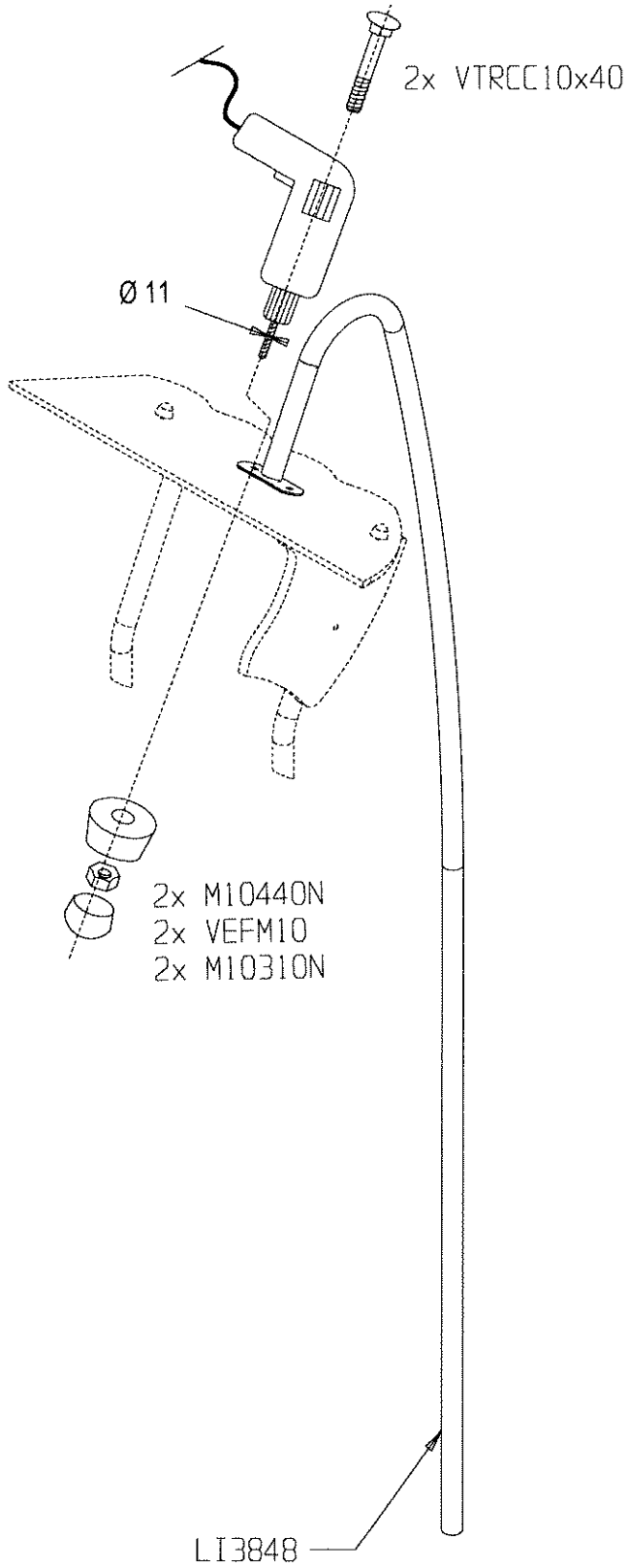


OUI
YES

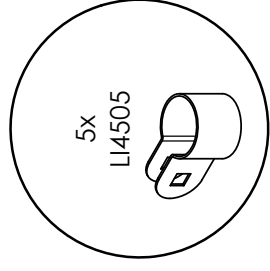
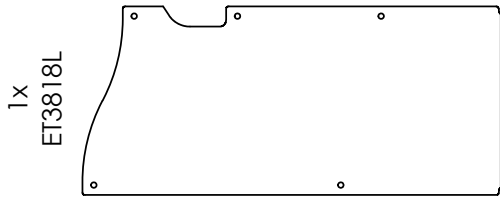
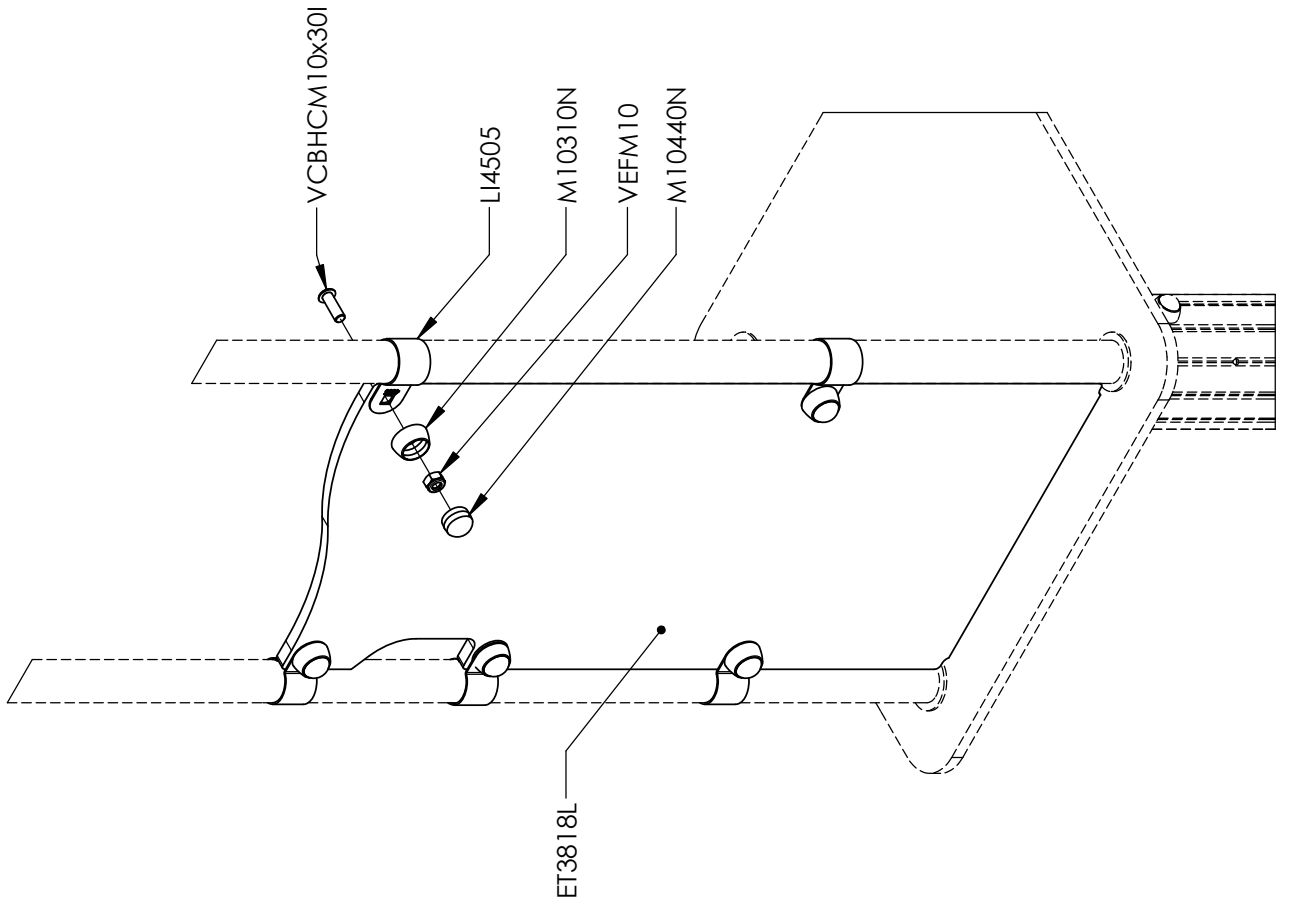


FR

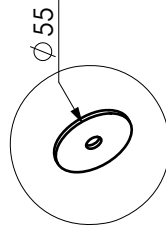
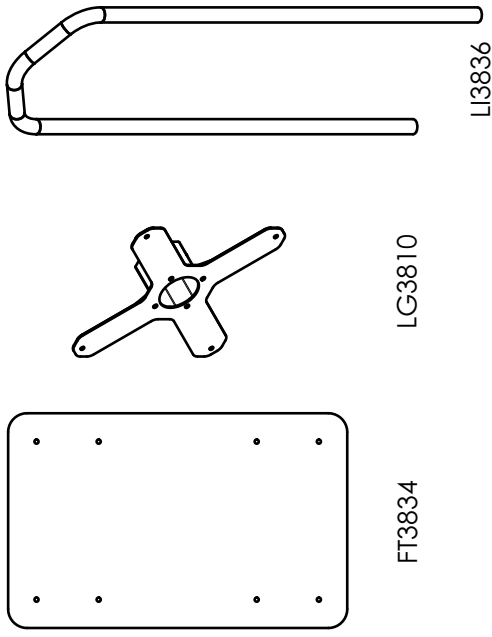
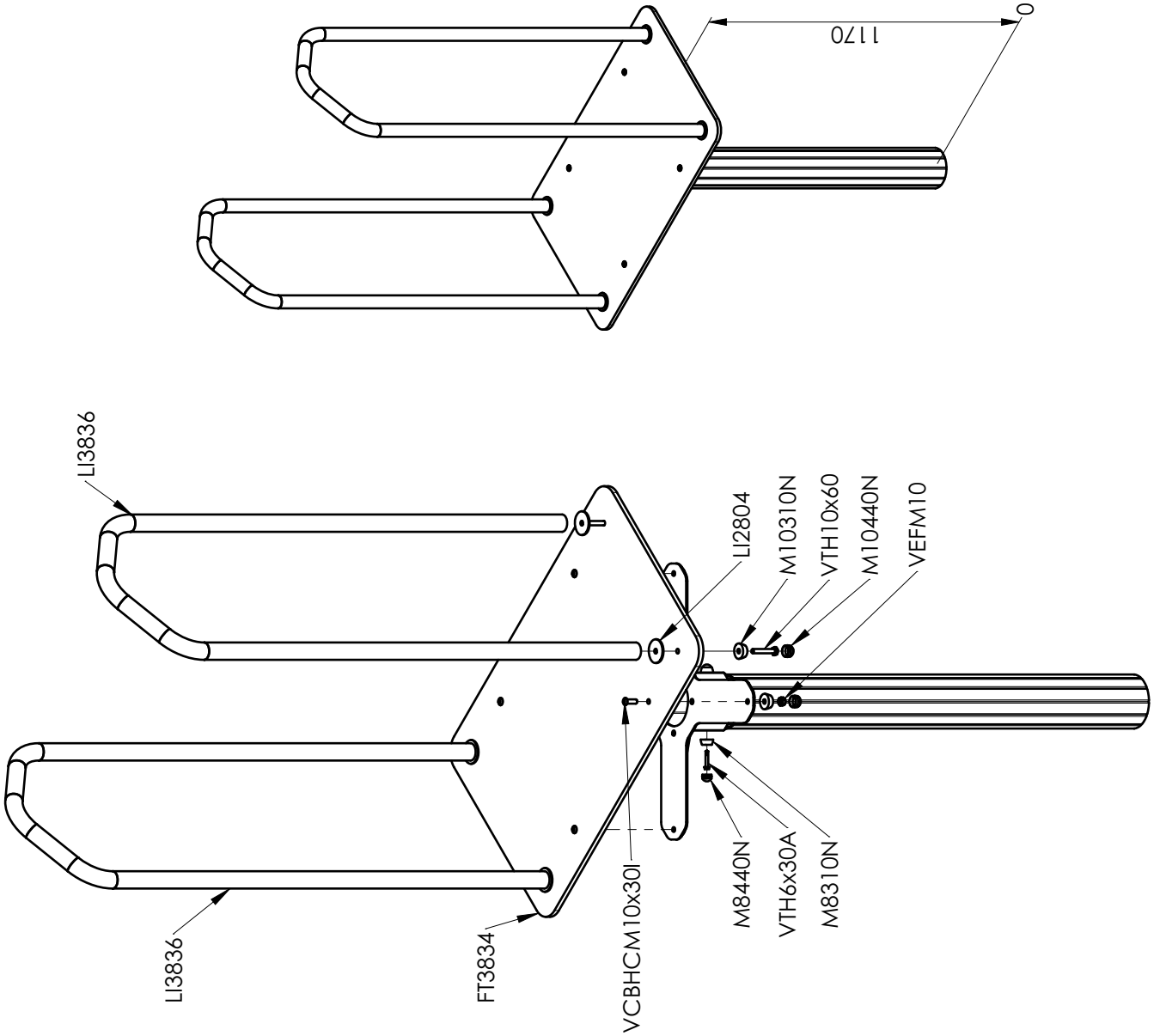
Il est recommandé de ne pas orienter la glissière Sud / Sud Ouest



	VTRCC 10x40	2
	VEFM10	2
	M10310N	2
	M10440N	2



LI4505	5
M10310N	5
M10440N	5
VCBHCM10x30I	5
VEFM10	5
ET3818L	1



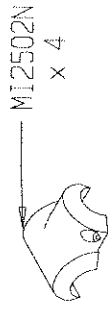
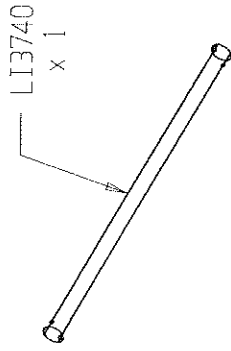
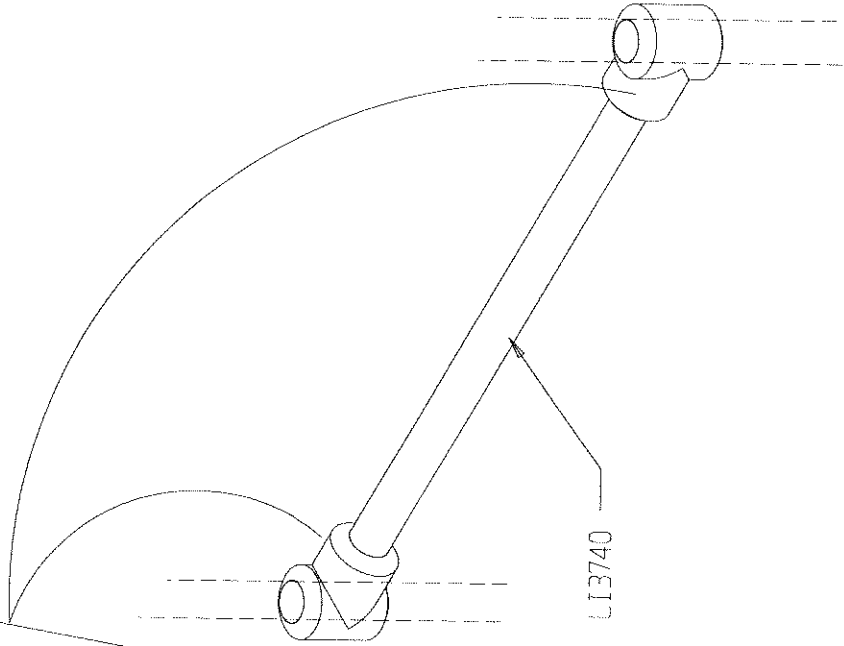
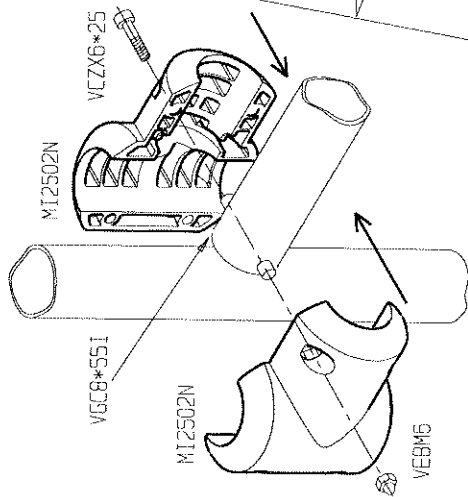
Réf	Qté
FT3834	1
LG3810	1
LGP3808A	1
LI2804	4
LI3836	2
M8310N	4
M8440N	4
M10310N	8
M10440N	8
VCBHC M10x30I	4
VEFM10	4
VTH6x30A	4
VTH10x60	4

63828

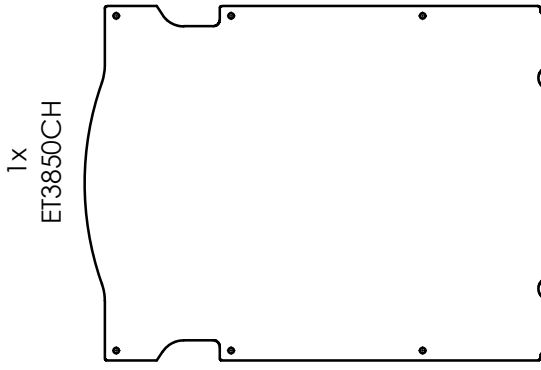
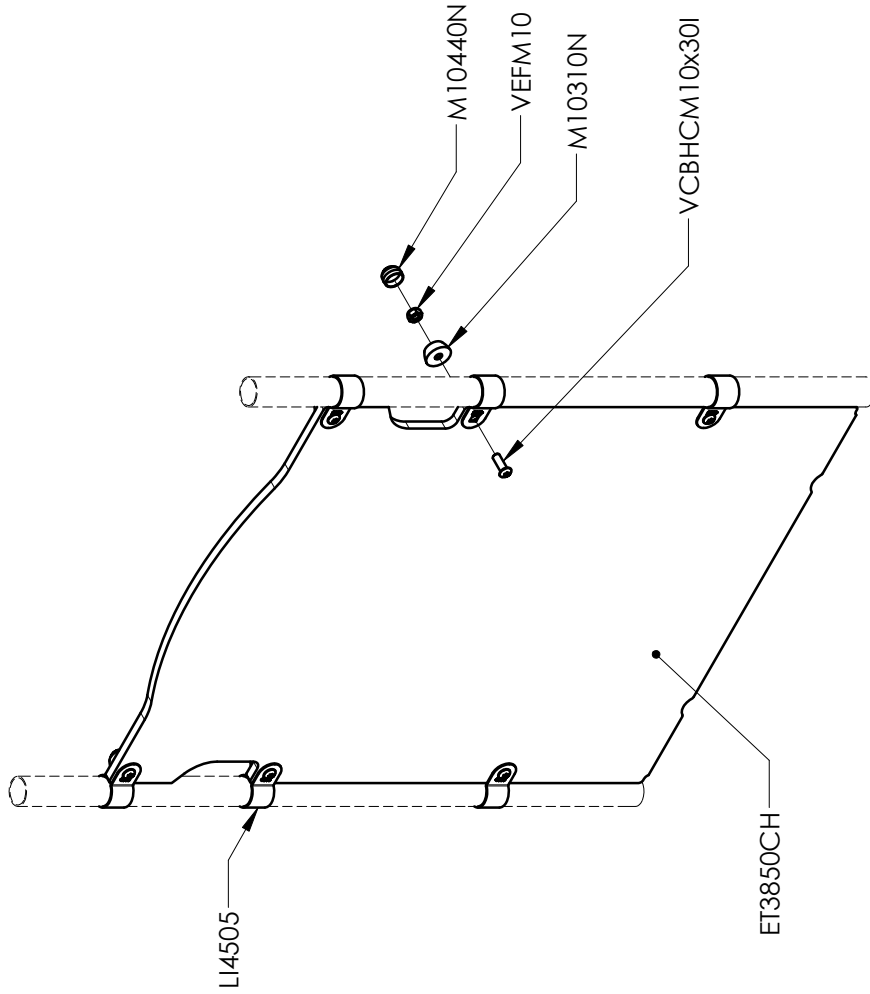
HT620 OU HT715

11/01/2011

Proactive



	VEBM6	8
	VCZX 6x25	8

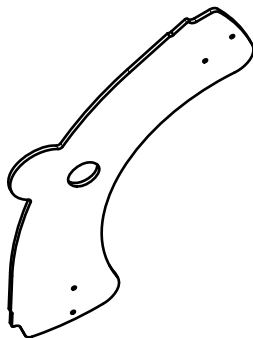


1x
ET3850CH

ET3850CH	1
LI4505	6
M10310N	6
M10440N	6
VCBHC10x30I	6
VEFM10	6

LGP3806A

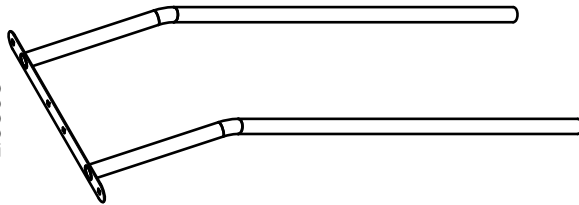
1x
ET3831



1x
LP3800N



2x
LI3858



1x
LG4412



1x
MI025N



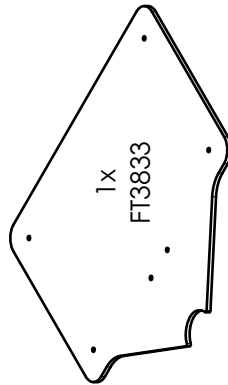
4x
MI4700



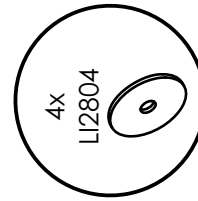
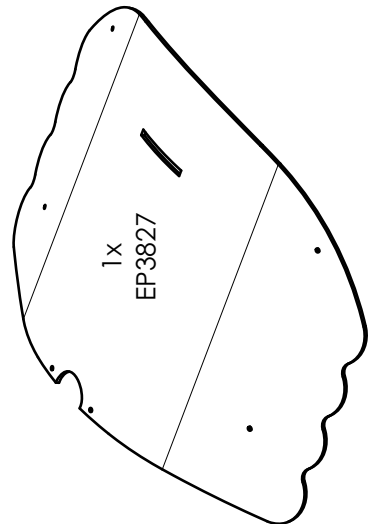
2x
ET3832



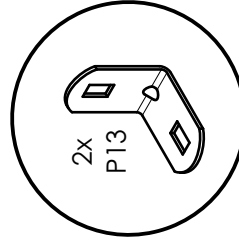
1x
FT3833



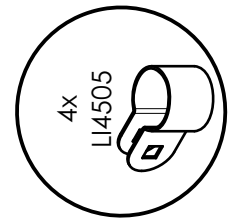
1x
EP3827



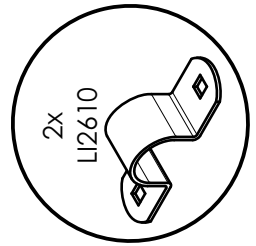
4x
LI2804



2x
P13



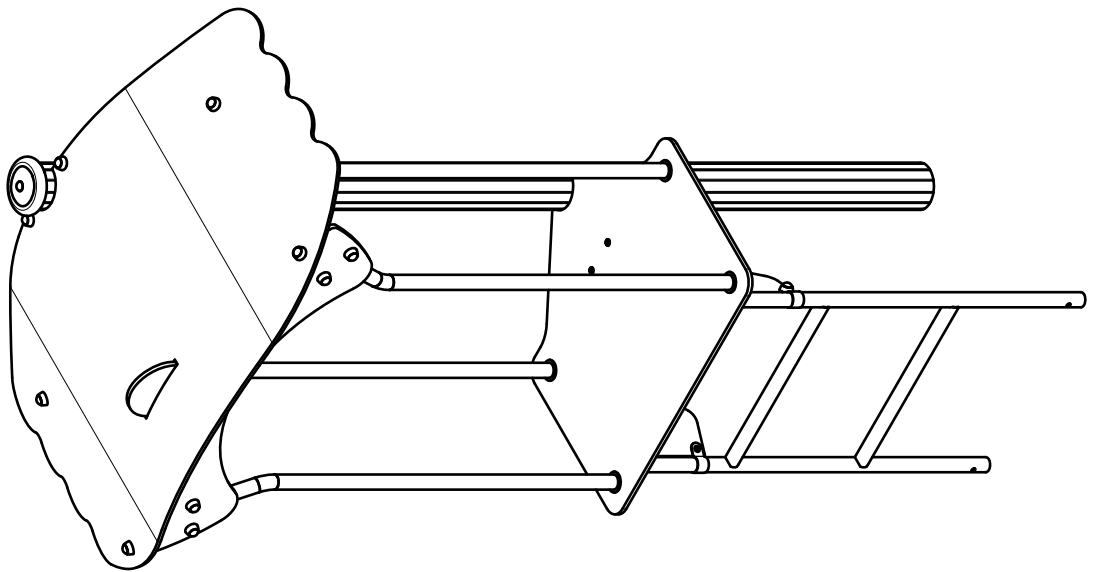
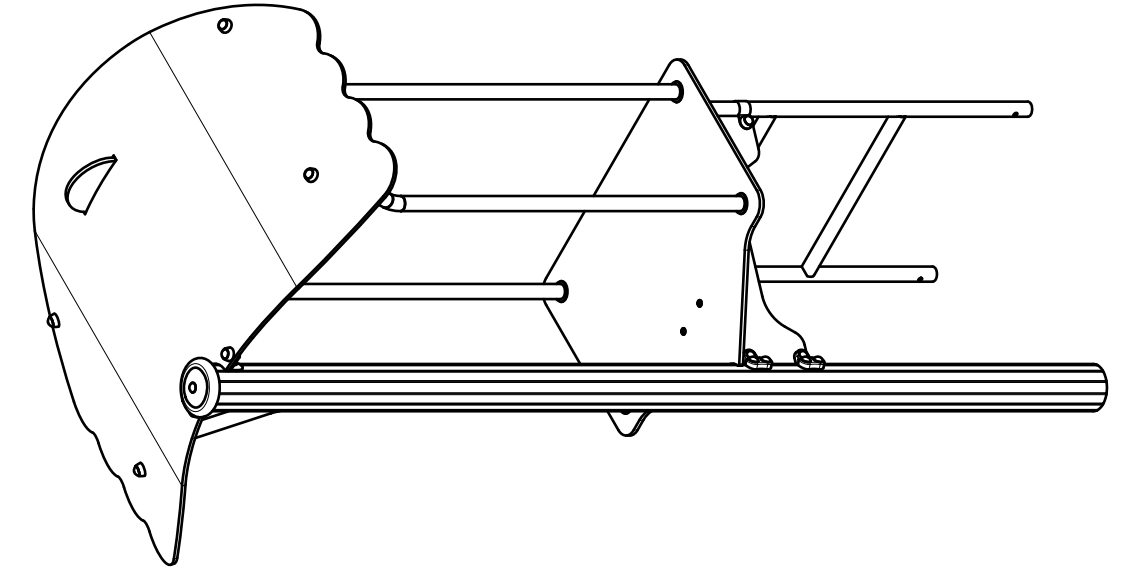
4x
LI4505

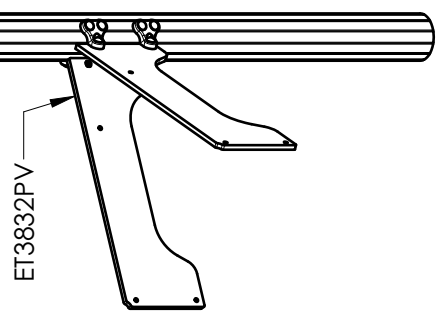
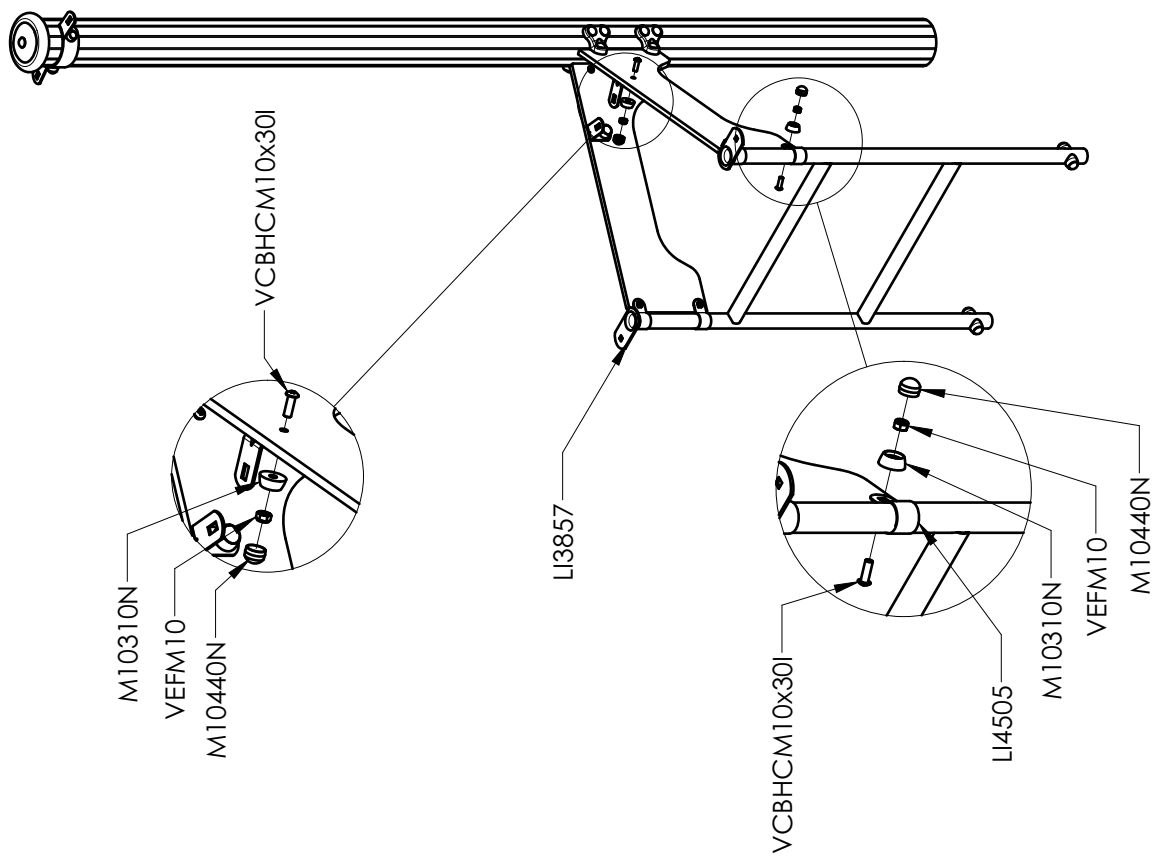
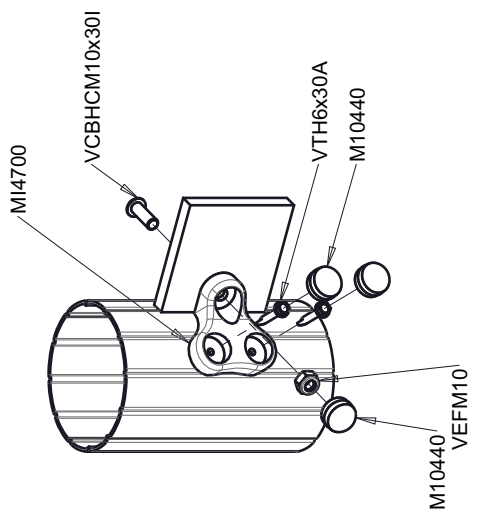
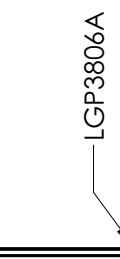
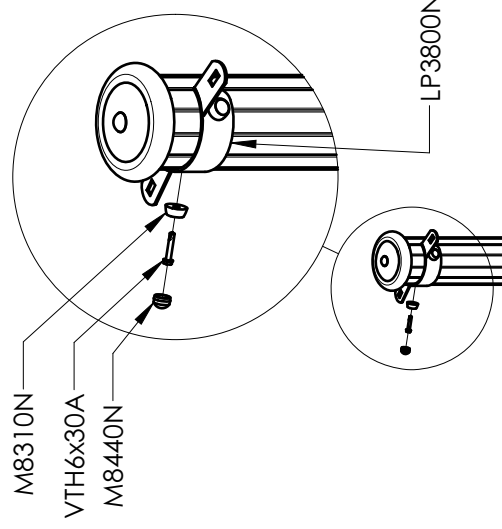
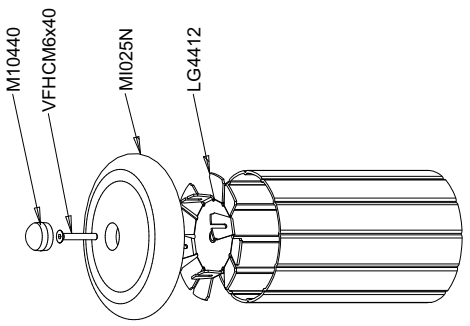


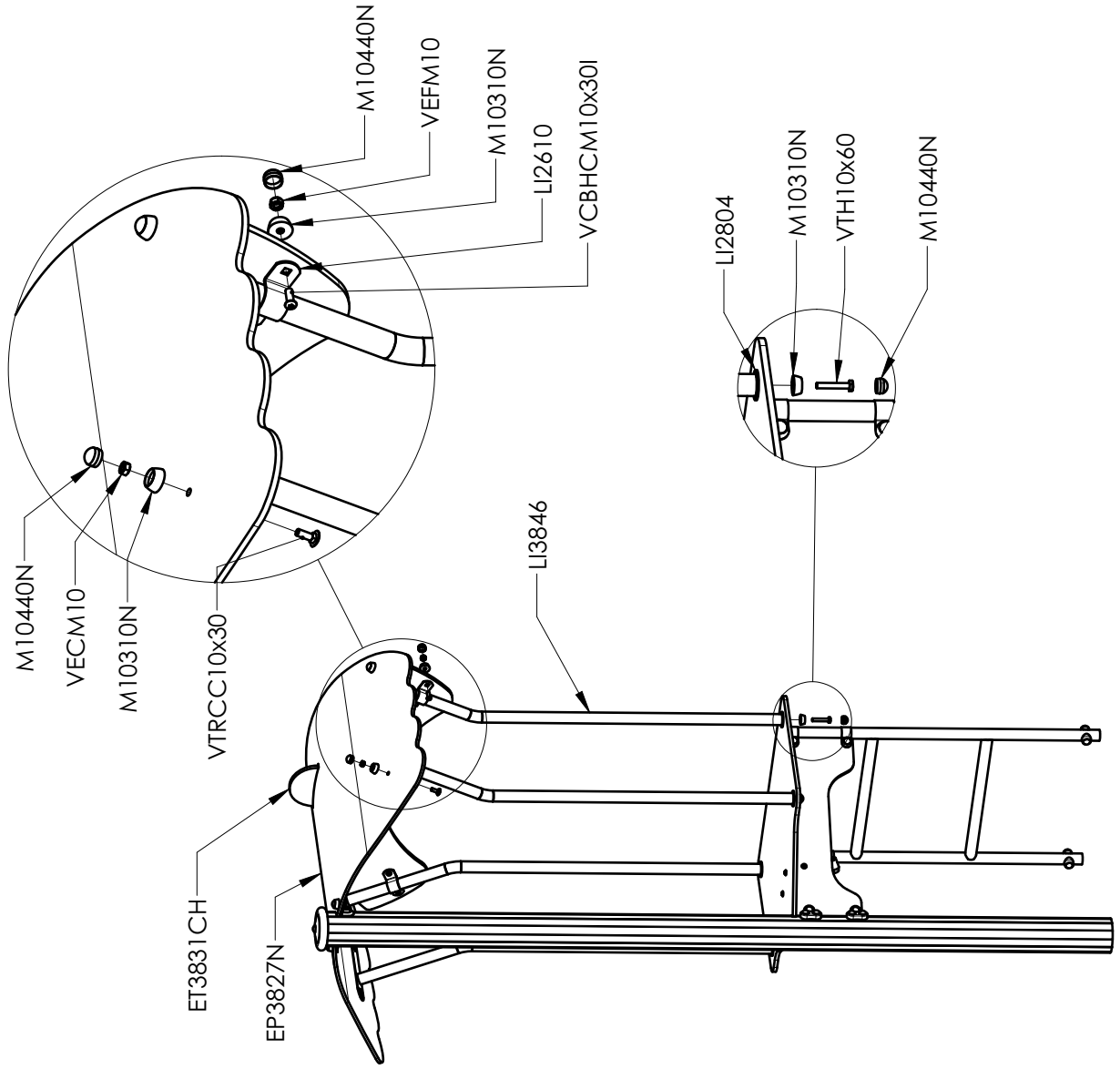
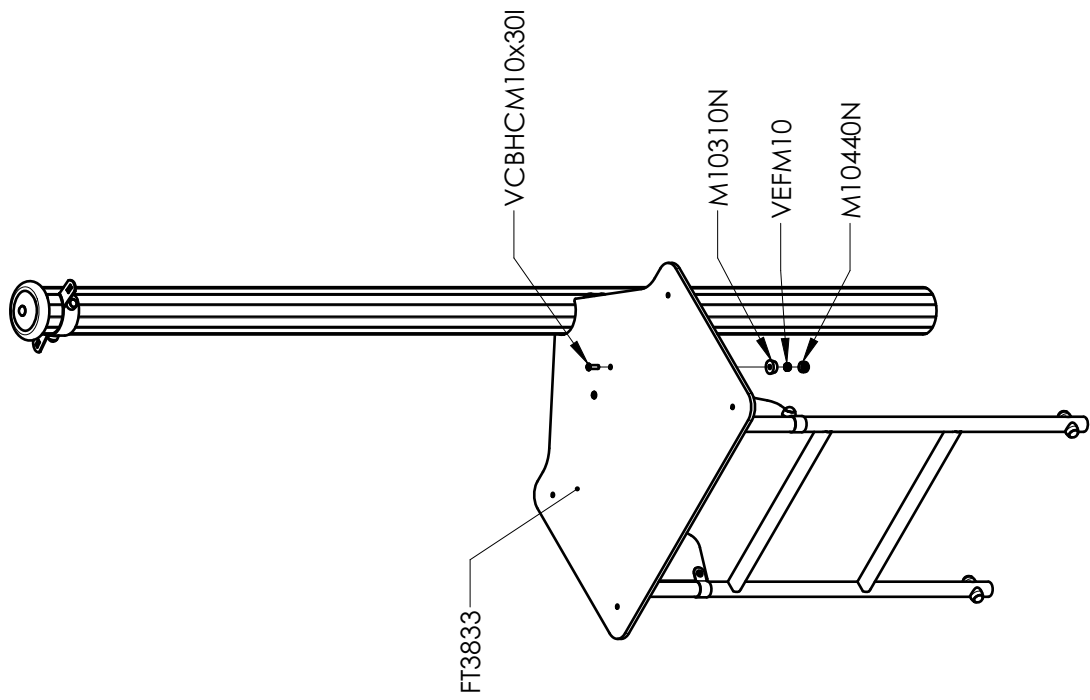
2x
LI2610

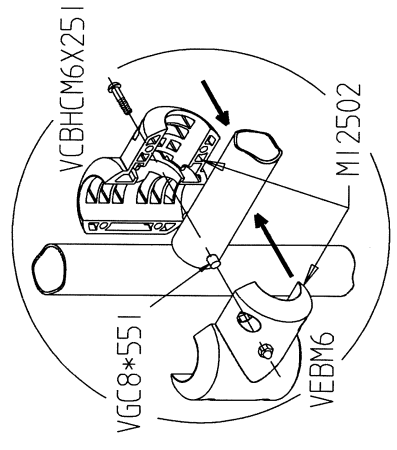
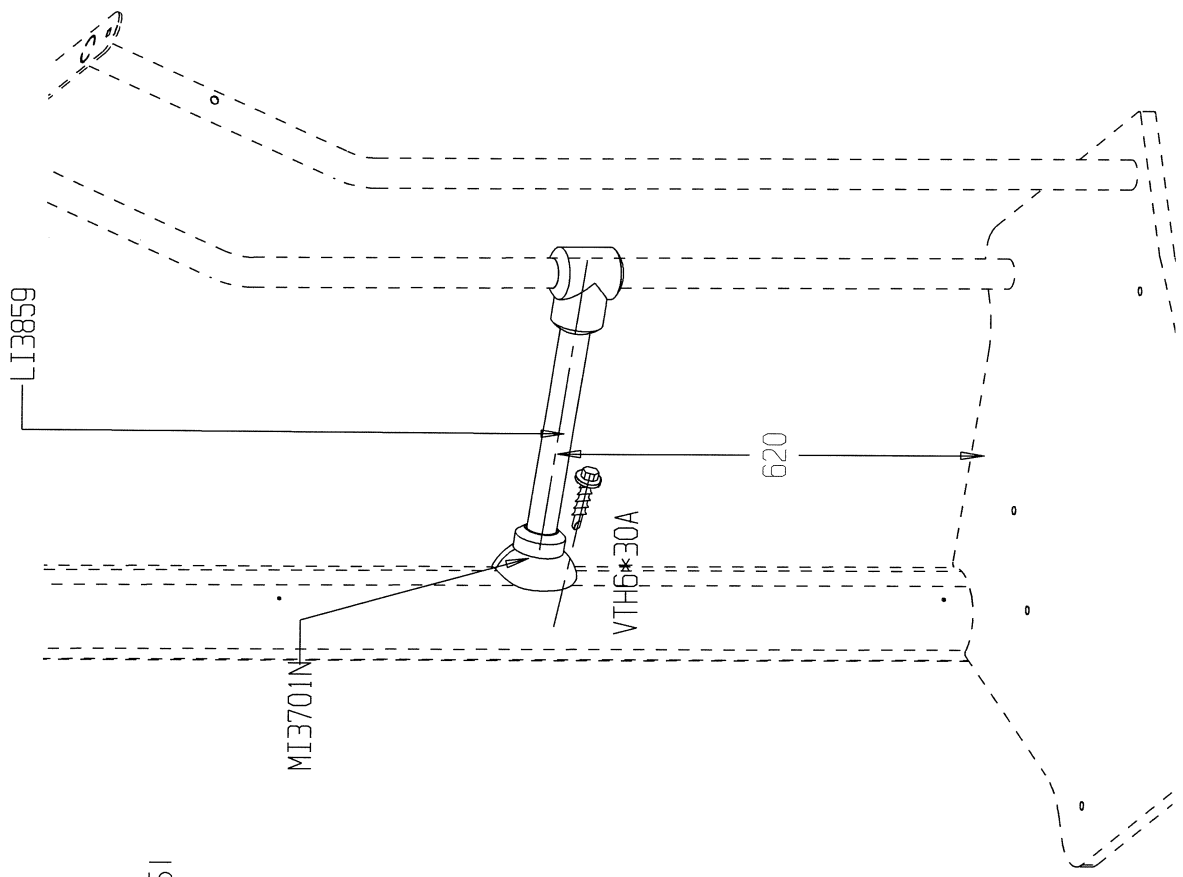
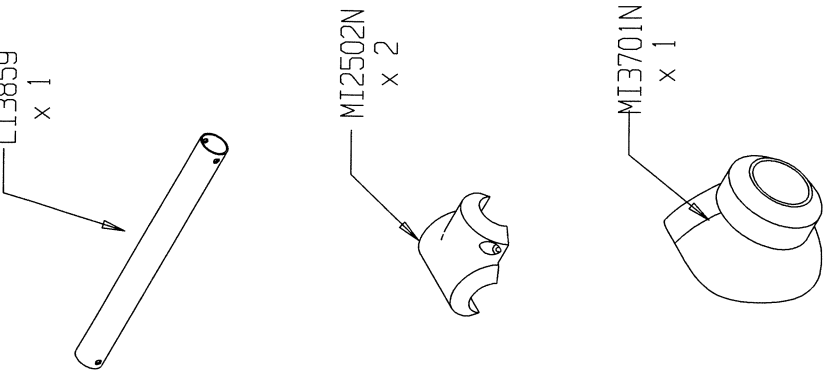
REF	QTE
EP3827N	1
ET3831CH	1
ET3832PV	2
FT3833	1
LG4412	1
LGP3806A	1
LI2610	2
LI2804	4
LI3855	1
LI3858	2
LI4505	4
LP3800N	1
M8310N	2
M8440N	2
M10310N	22
M10440N	35
MI025N	1
MI4700	4
P13	2
VCBHC10x30I	16
VECM10	6
VEFM10	16
VFHCM6x40	1
VTH6x30A	10
VTH10x60	4
VTRCC10x30	6



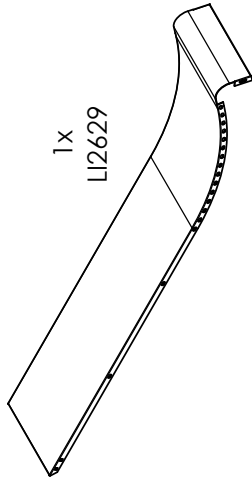
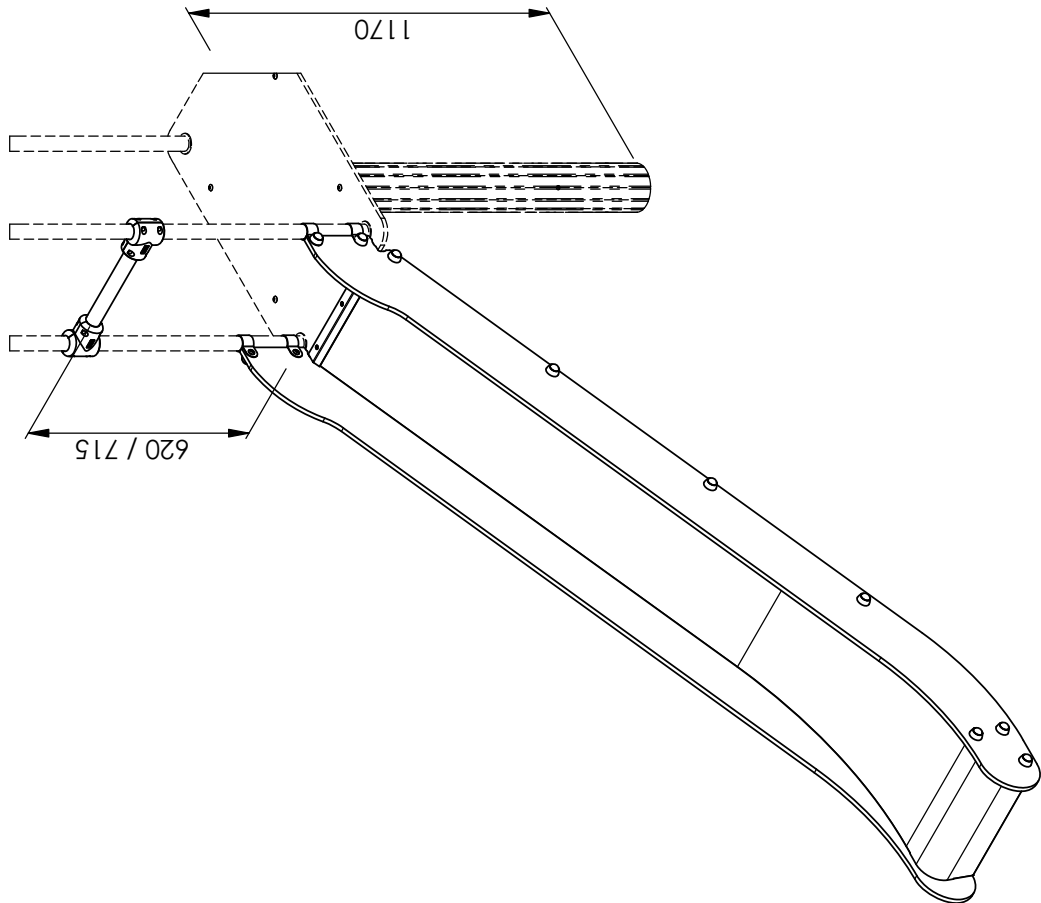




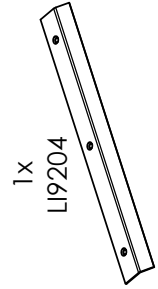
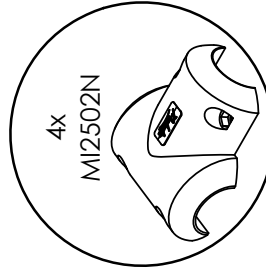
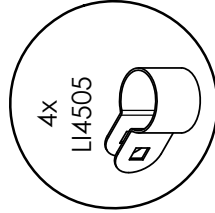
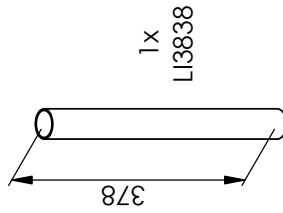
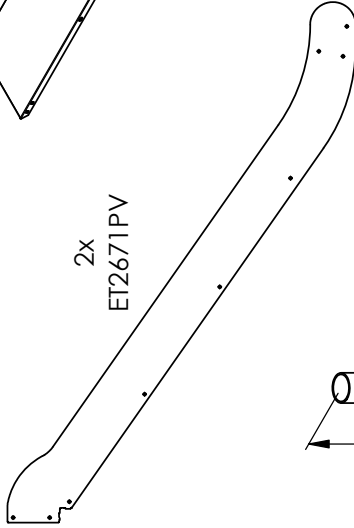




	VGC8*55I	2
	VEBM6	4
	VCBHCM6*25I	4
	VTH6*30A	4

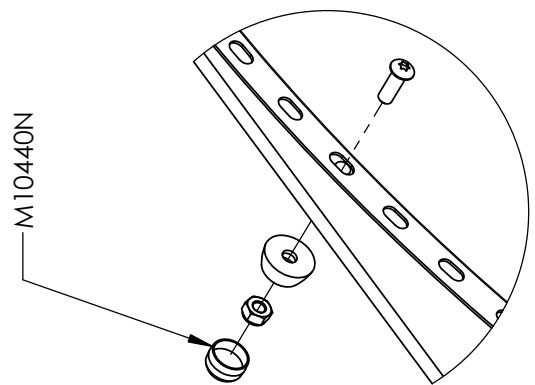
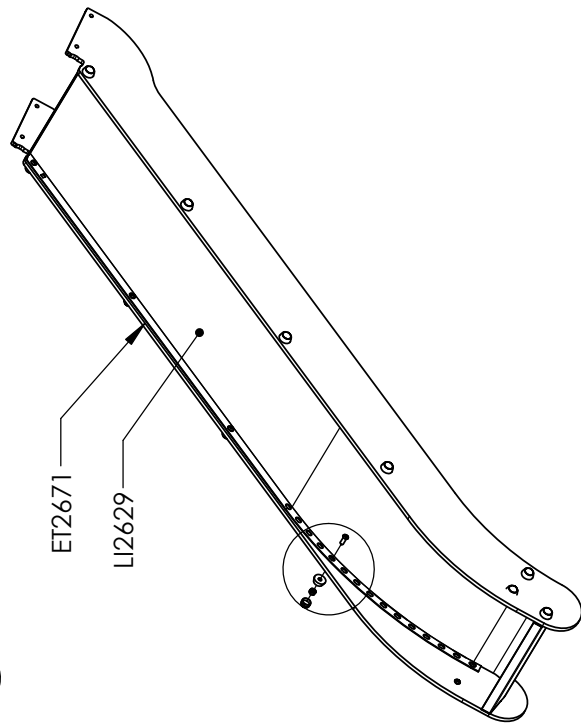


2x
ET2671PV

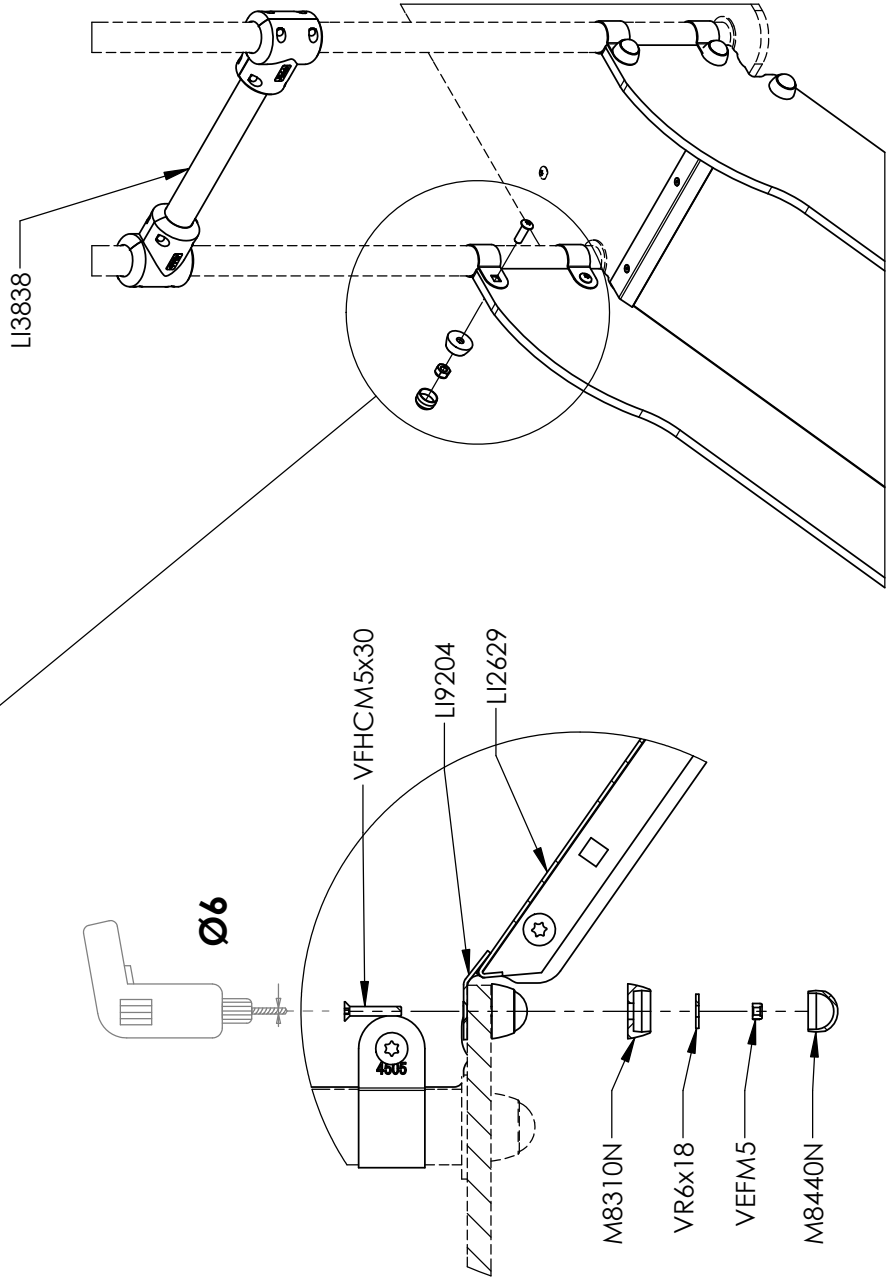
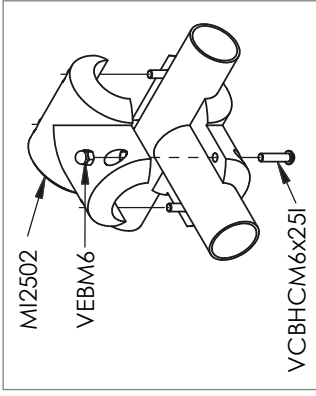
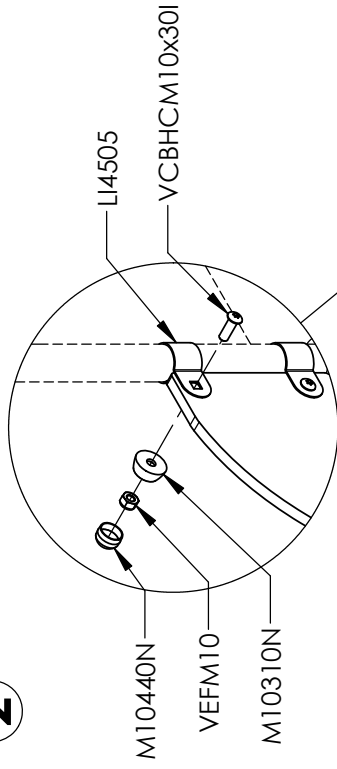


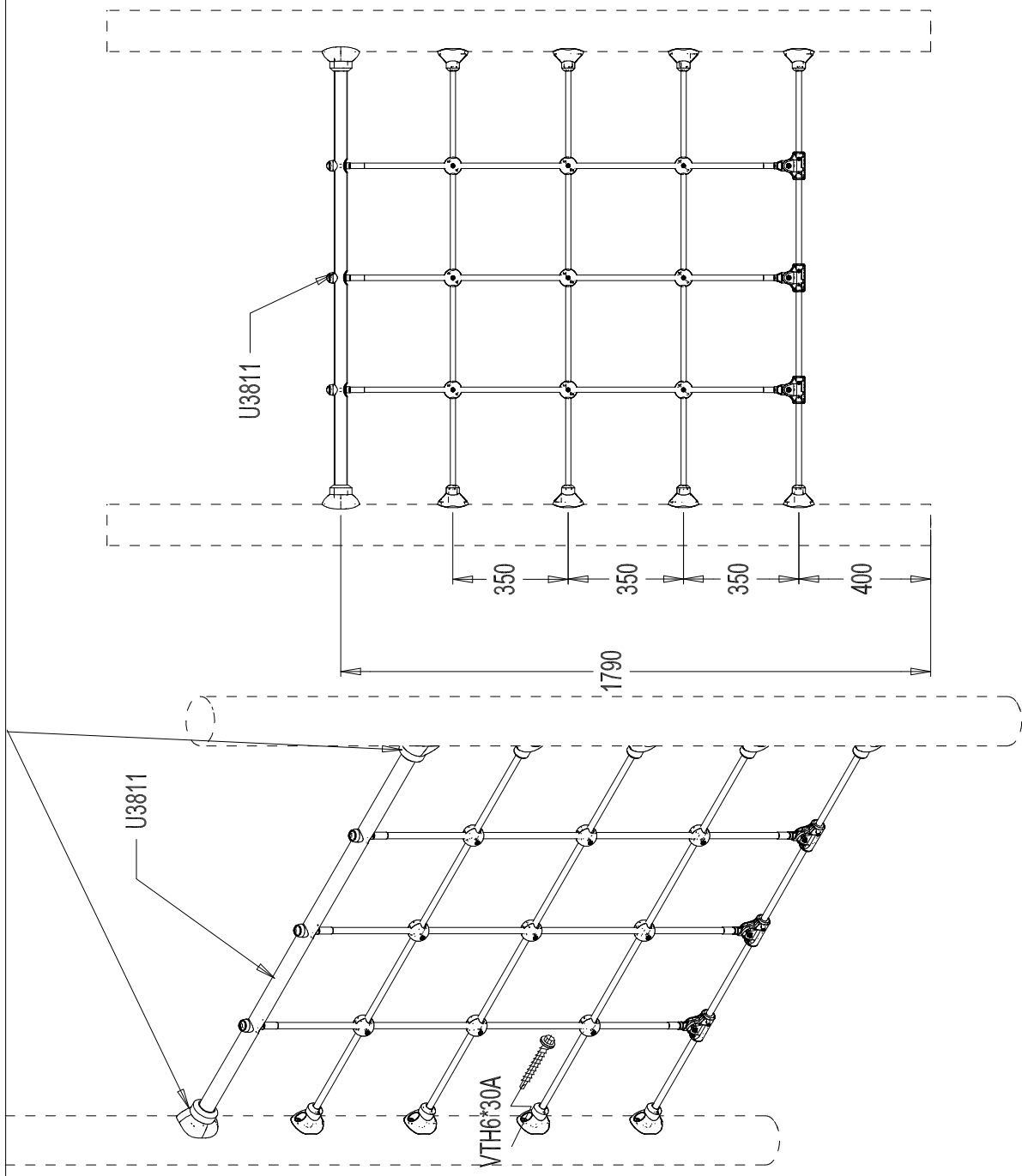
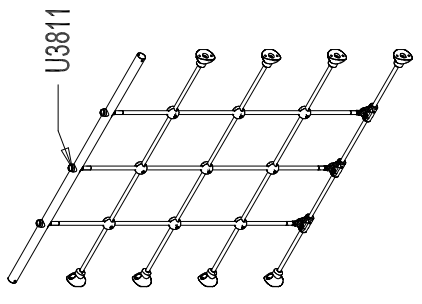
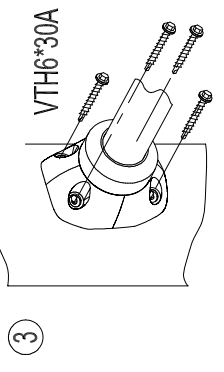
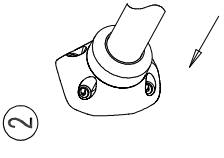
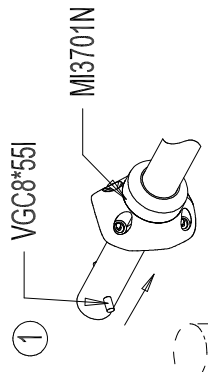
ET2671PV	2
LI2629	1
LI3838	1
LI4505	4
LI9204	1
M8310N	3
M8440N	3
M10310N	17
M10440N	17
MI2502N	4
VCBHC6x25I	8
VCBHC10x30I	17
VEBM6	8
VEFM5	3
VEFM10	17
VFHC5x30	3
VR6x18	3

1

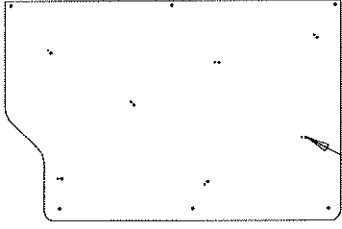
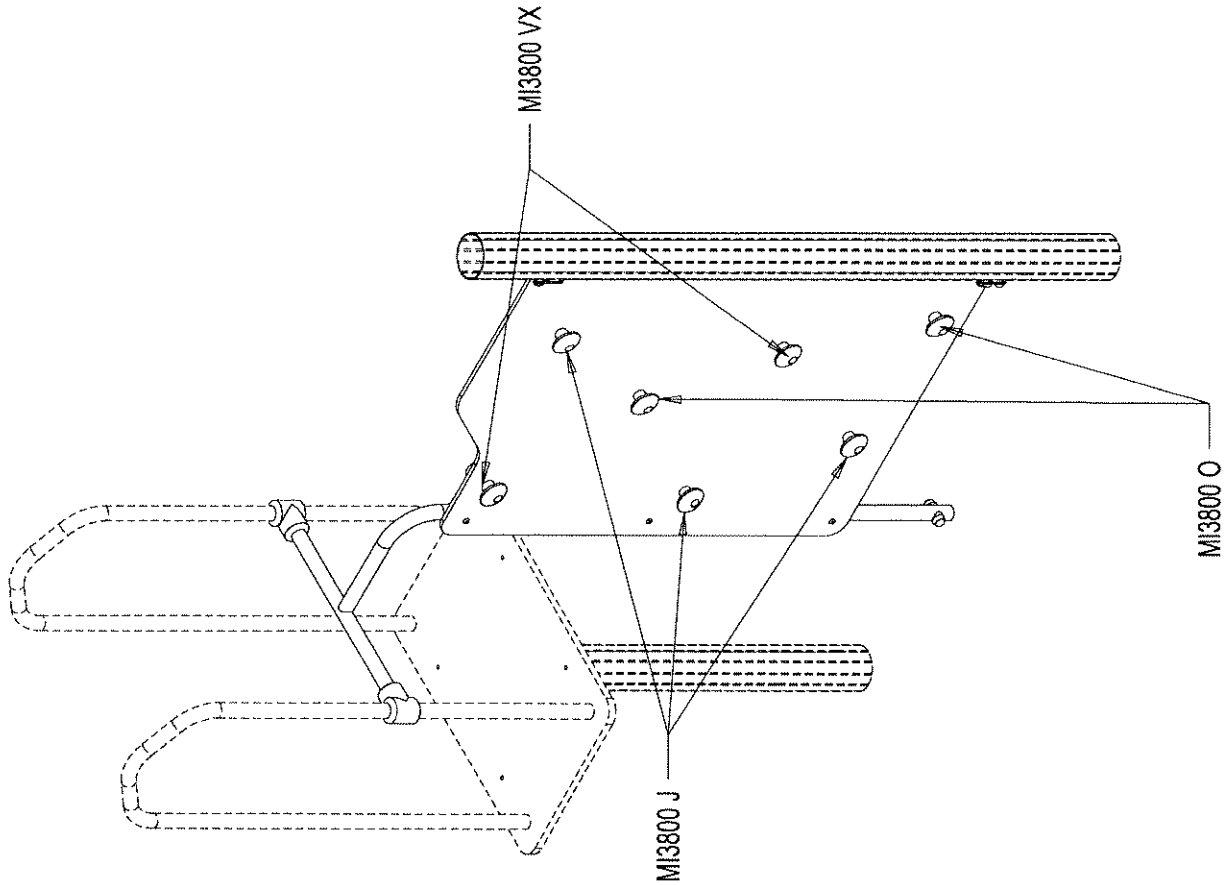


2

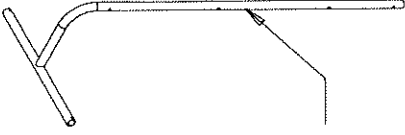




	VGC8*55I	2
	VTH 6x30A	24
	M13701N	2

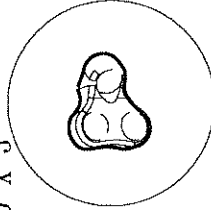


FT3839
x1

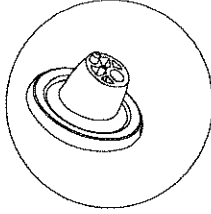


LI3868
x1

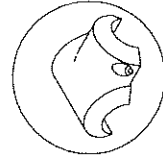
MI14700 X 3



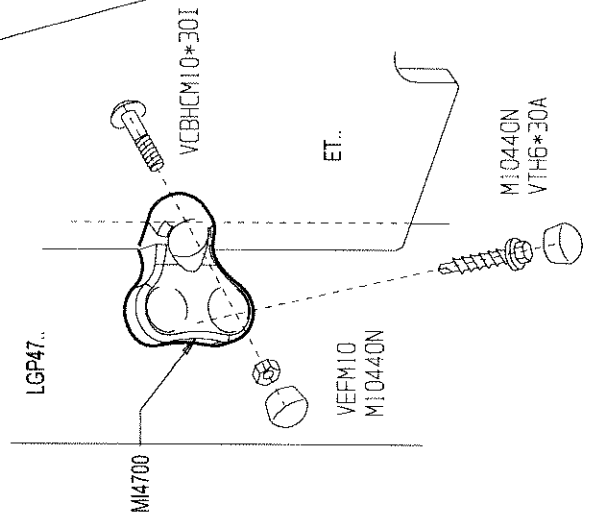
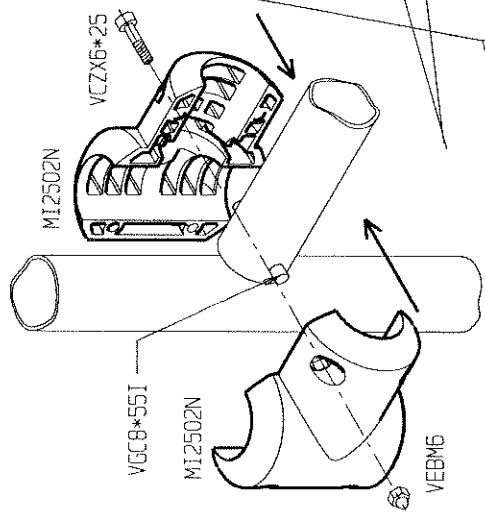
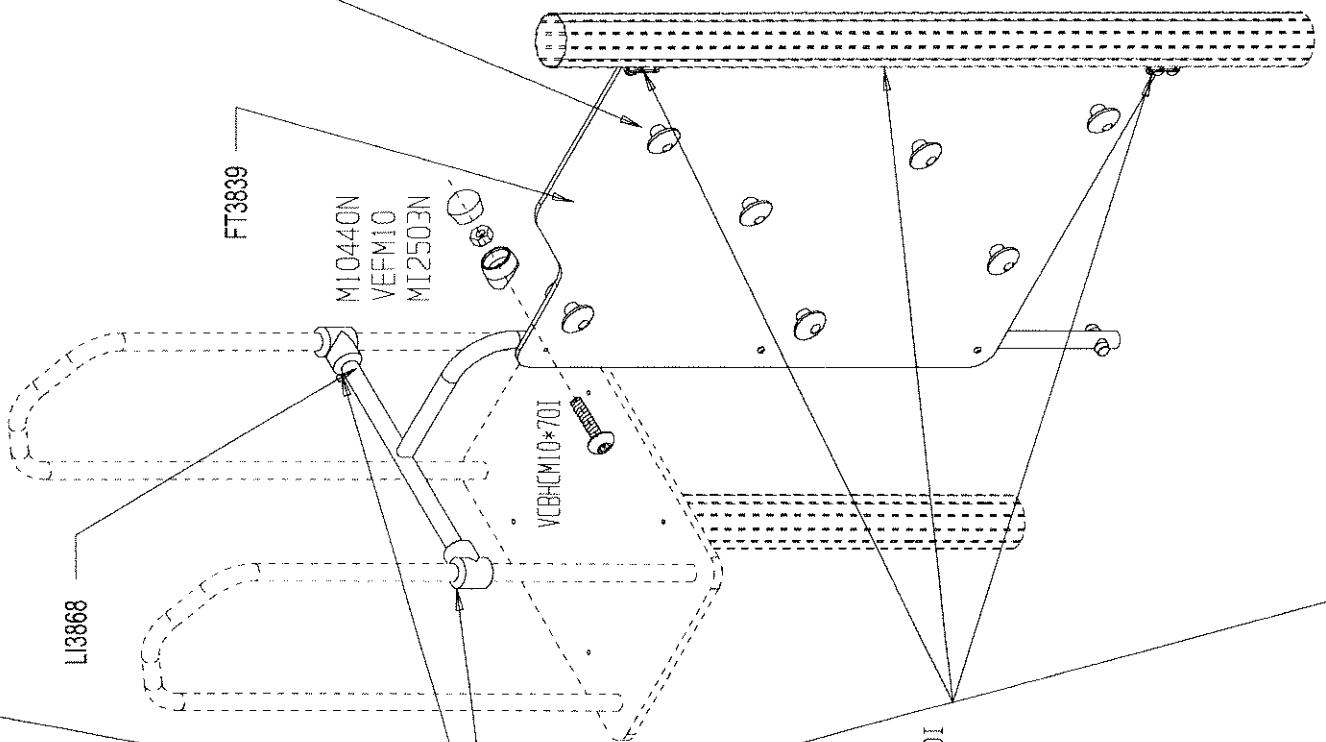
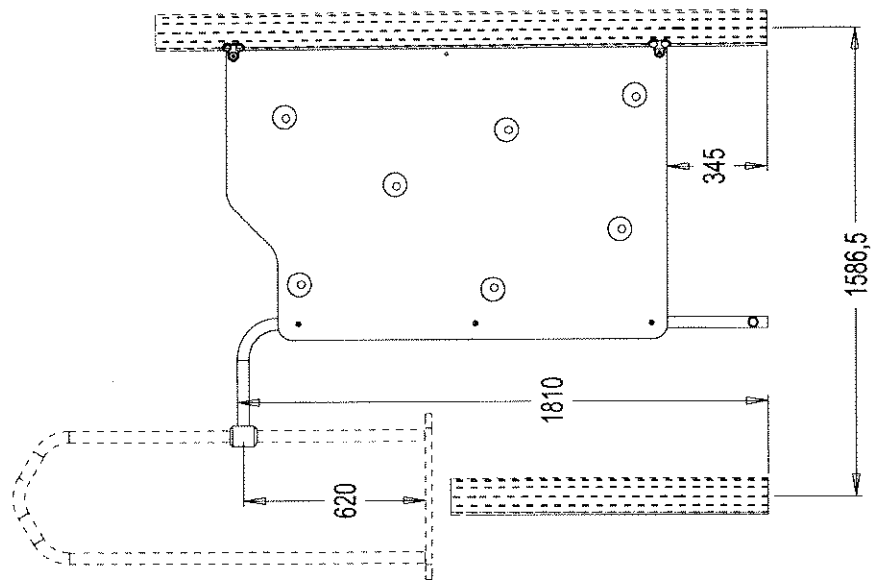
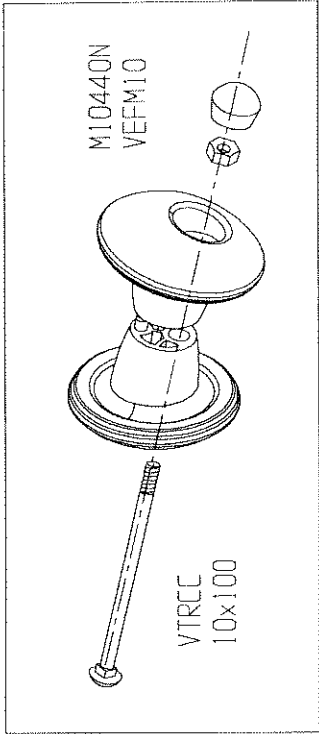
- MI3800 VX X4
- MI3800 J X6
- MI3800 □ X4

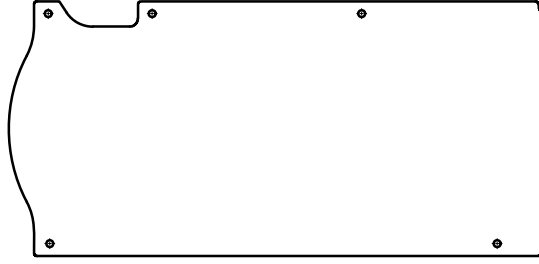
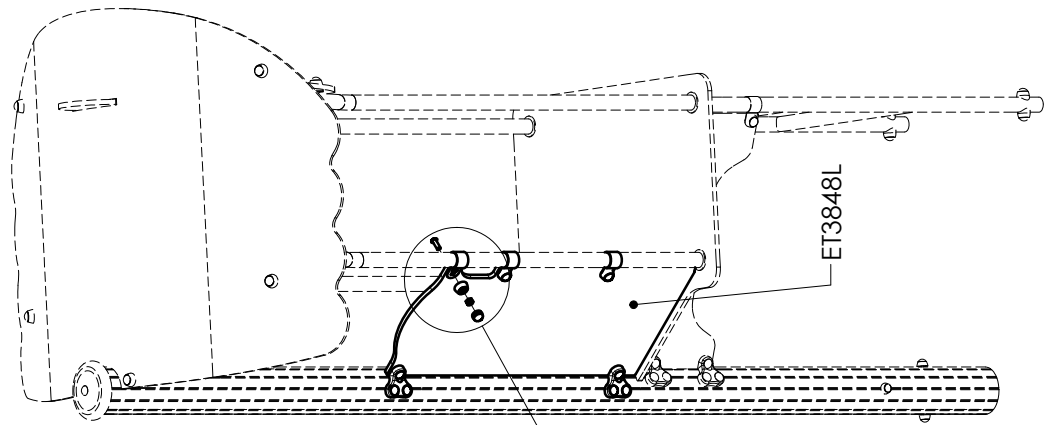
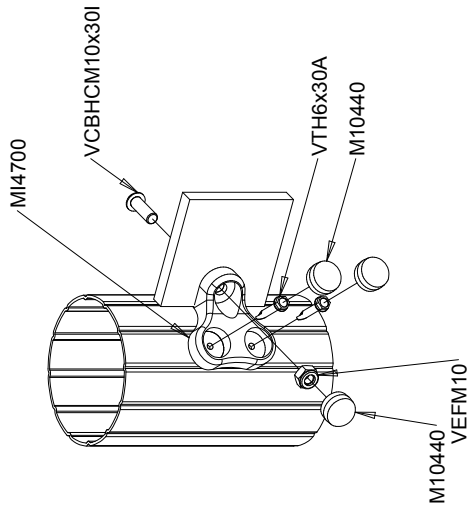


MI2502N x2

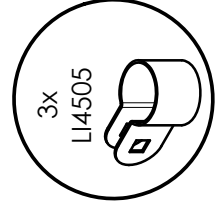
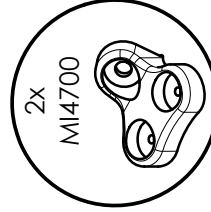


	M2503N	3
	VTH6*30A	6
	VCBHC10*30I	3
	M10310	6
	M10440	26
	VEFM10	13
	VCZX 6x25	8
	VEBM6	8
	VCBHC10*70I	3
	VTRCC10x100	7

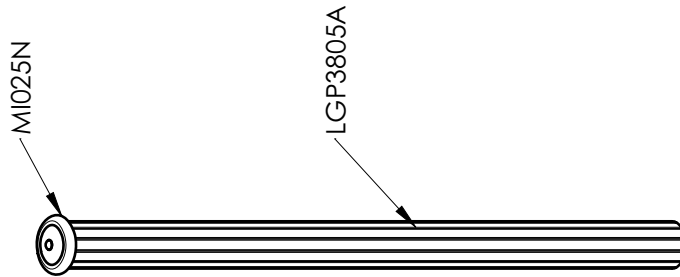
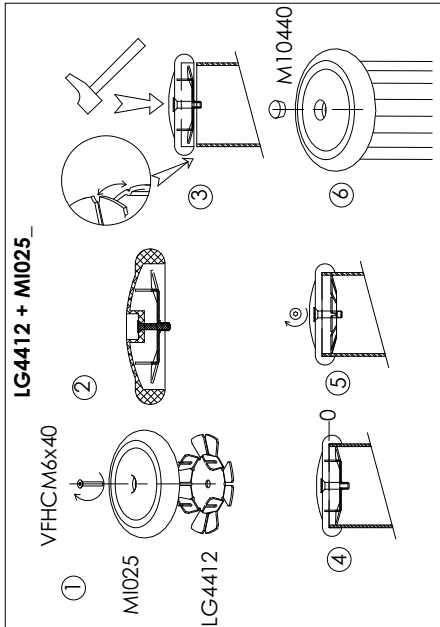




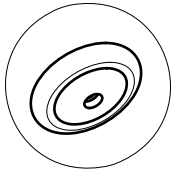
1x
ET3848L



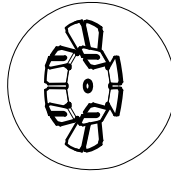
ET3848L	1
LI4505	3
M10310N	3
M10440N	9
MI4700	2
VCBHCM10x30I	5
VEFM10	5
VTH6x30A	4



LGP3805A

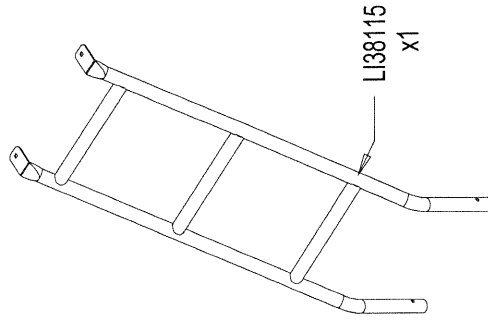
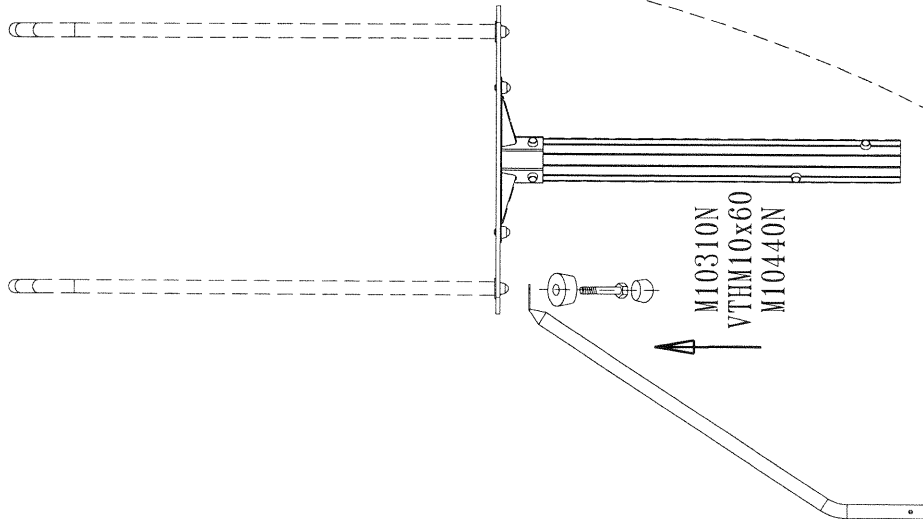
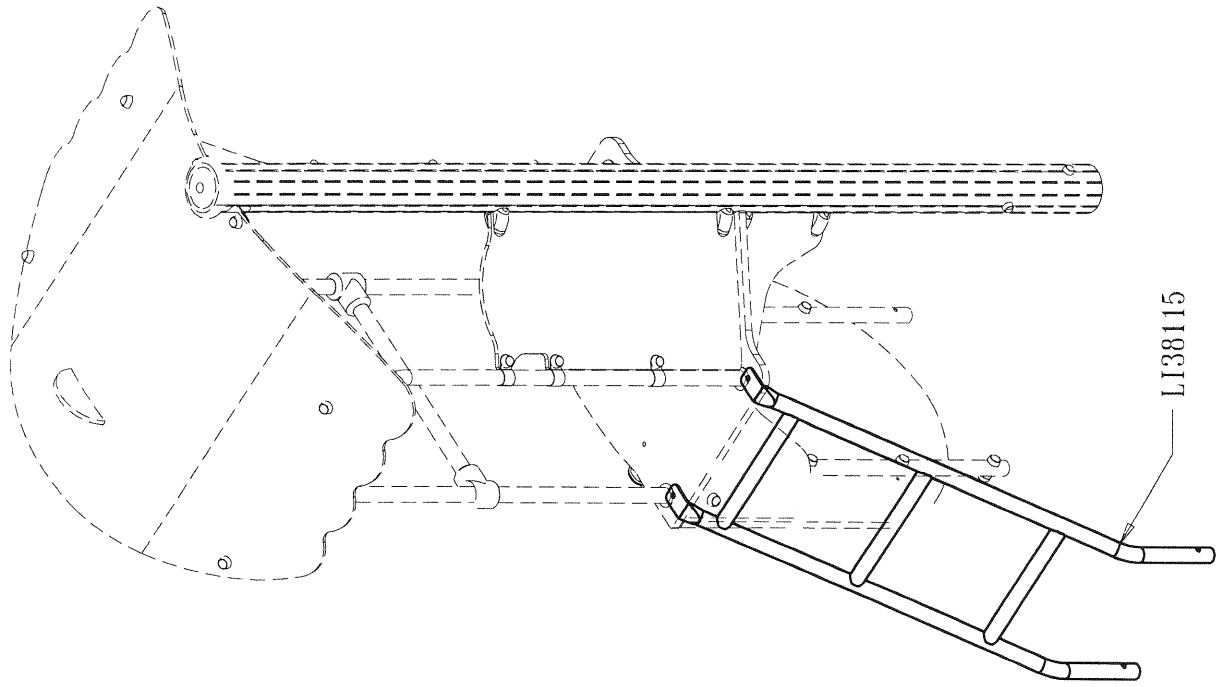





MI025



LG4412

Réf	Qté
LG4412	1
LGP3805A	1
M10440N	1
MI025N	1
VFHCM6x40	1



	VTH 10x60	?
	M10310N	2
	M10440N	2