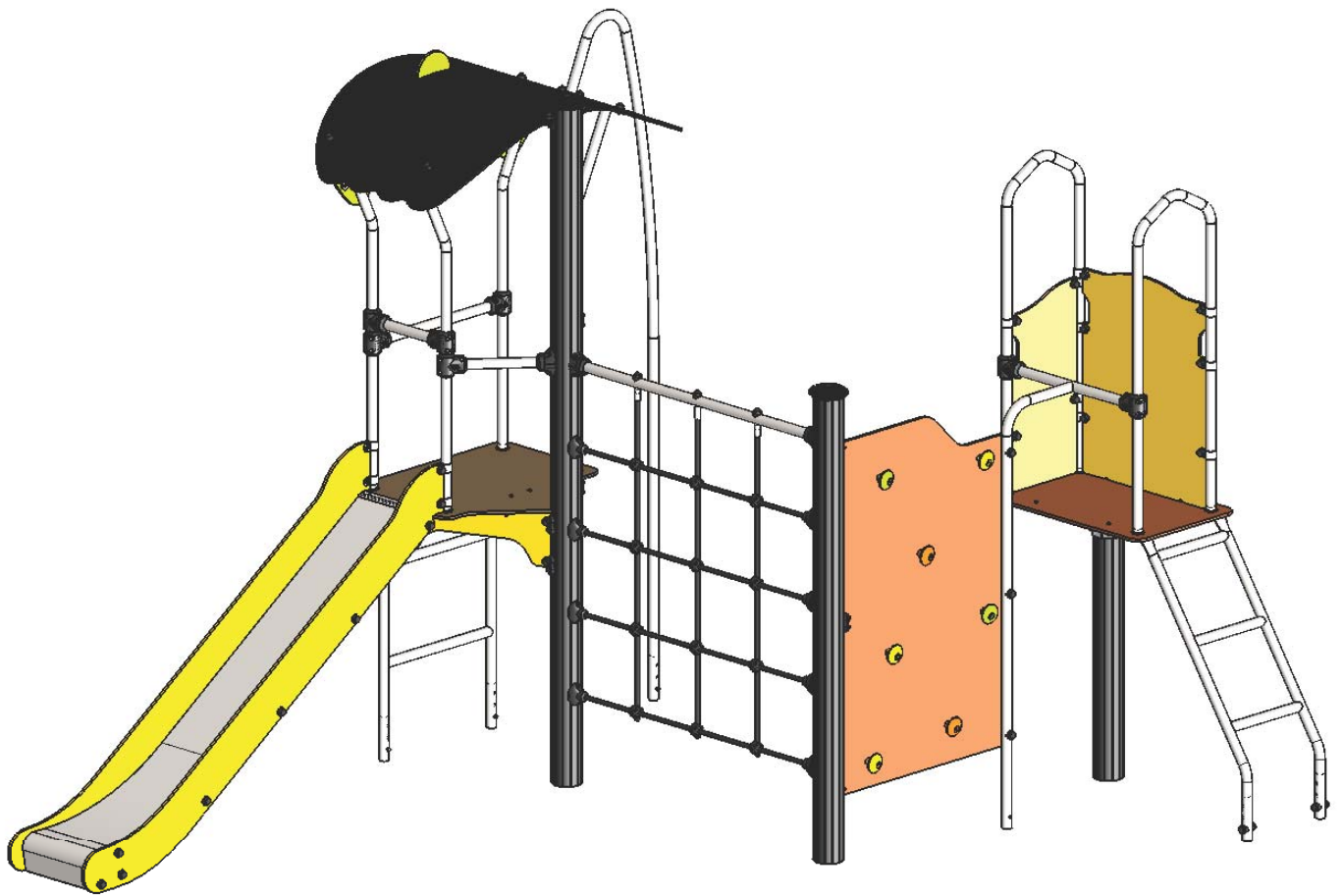


J3833

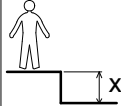
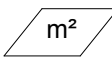
Proludic





3 → +

ProLudic

N°		
1	1 m	5.5 m ²
2	1.17 m	11.5 m ²
3	1.8 m	8.5 m ²
4	2 m	11.5 m ²

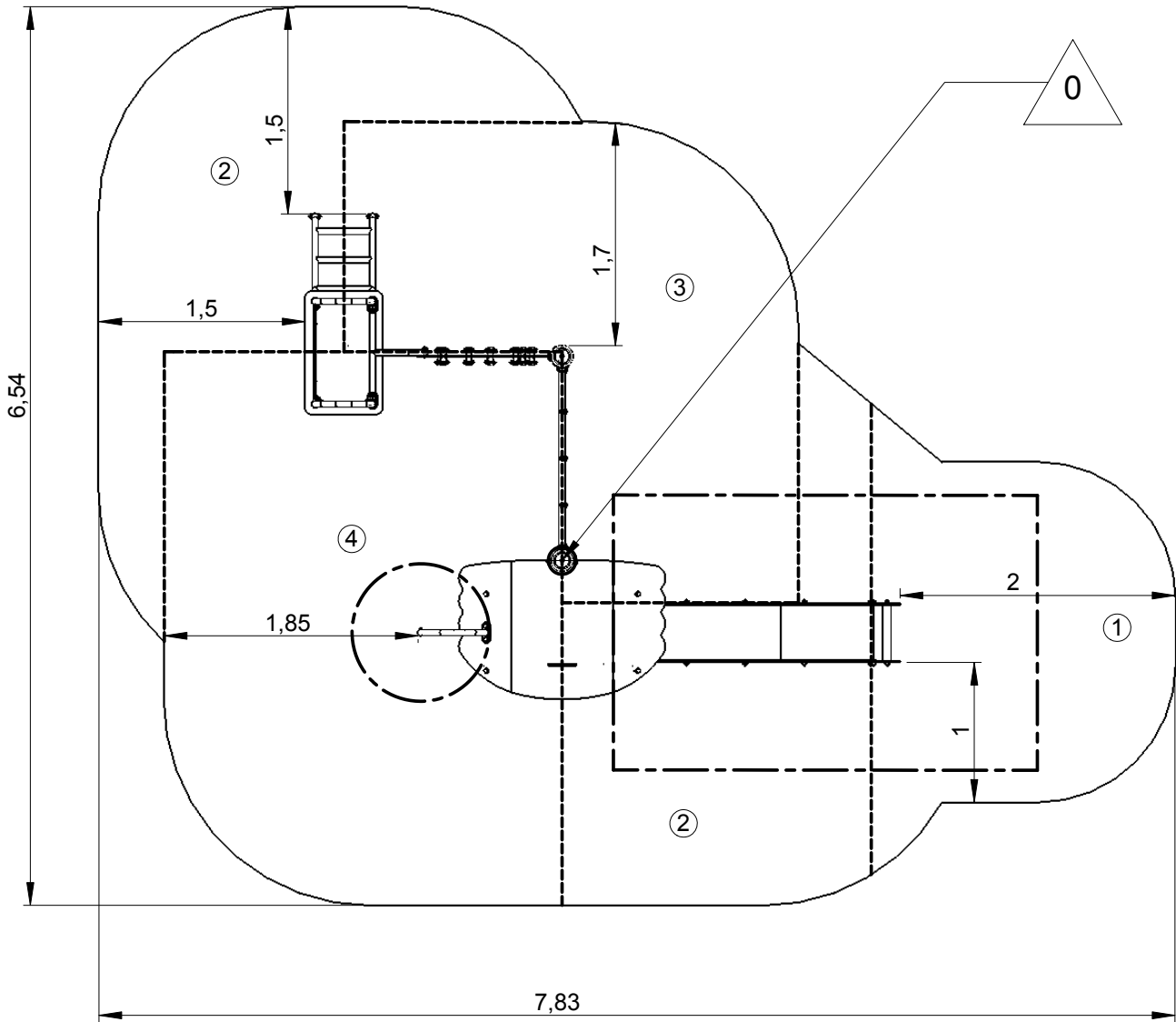
— Zone d'impact
Impact area
Area de impacto
Fallraum
Valzone

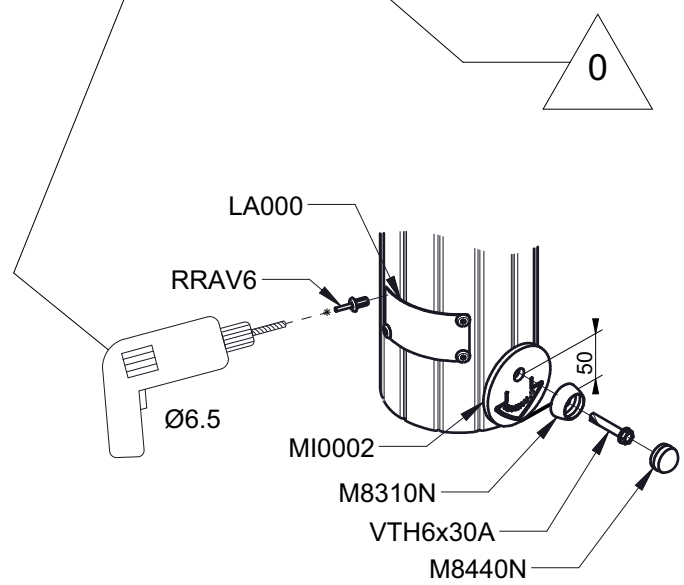
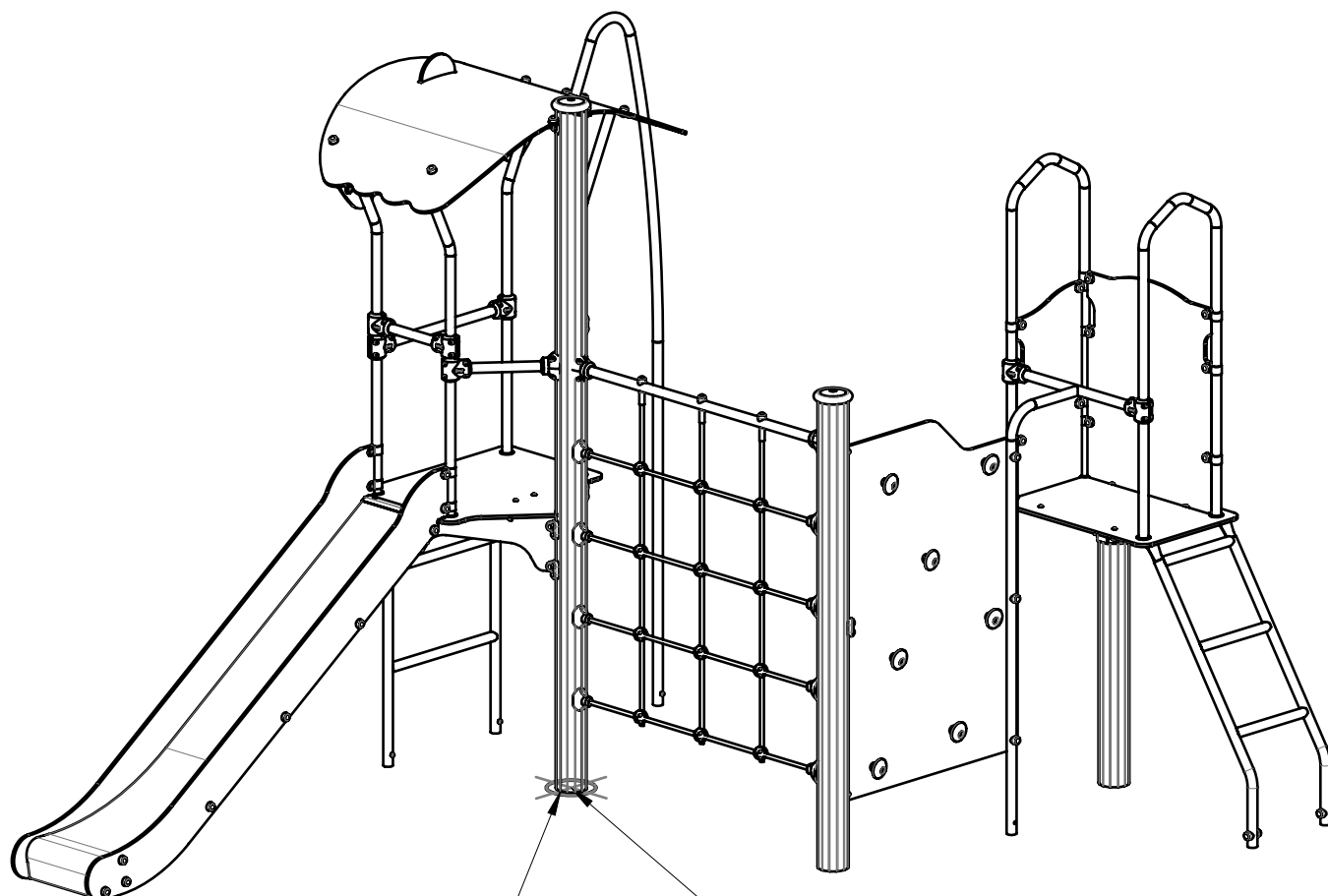


Point de référence
Setting out point
Punto de referencia
Bezugspunkt
Referentiepunt

- - - Espace libre
Free space
Espacio libre
Freiraum
Vrije ruimte

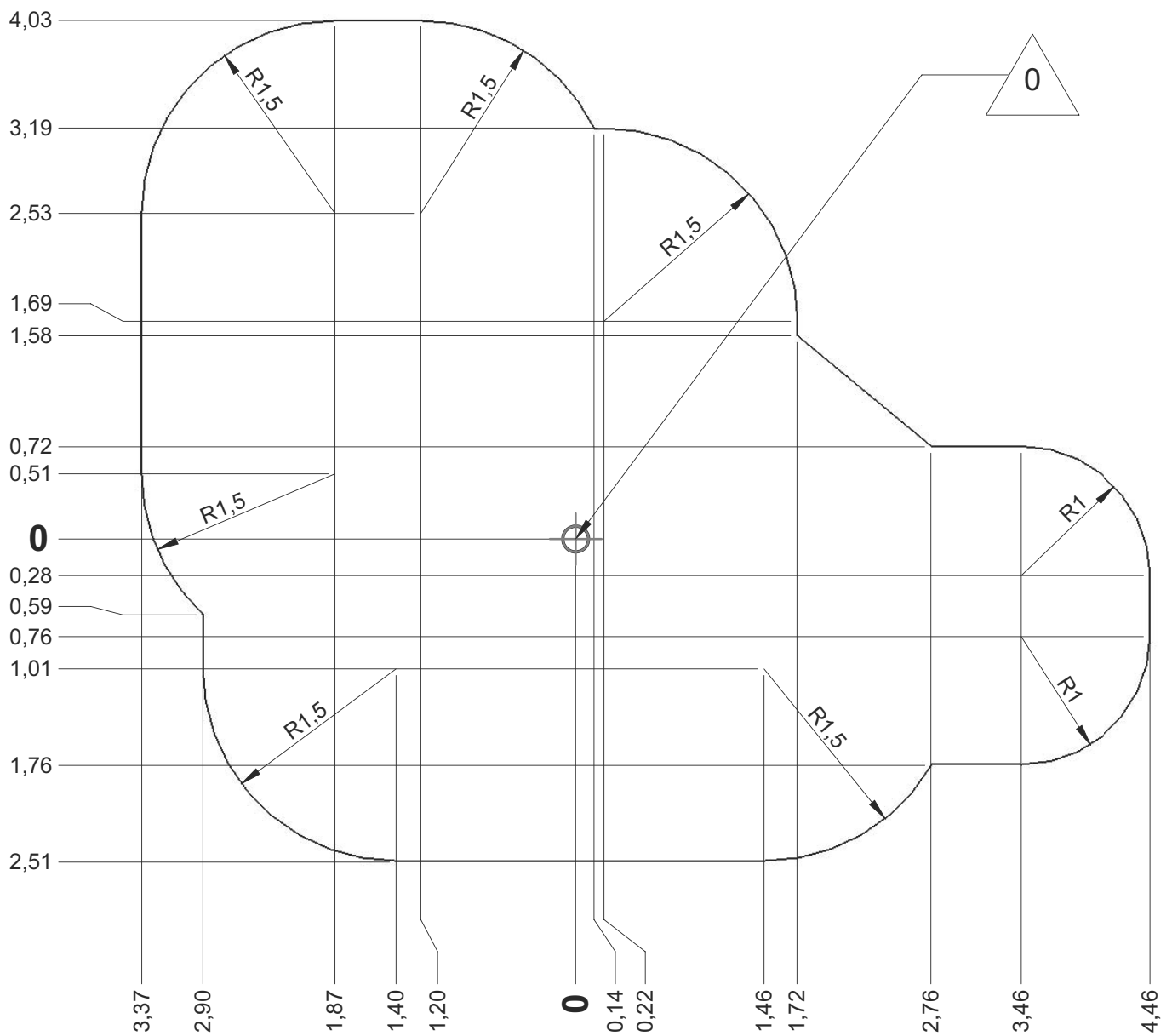
EN1176-1:2017
EN1176-3:2017





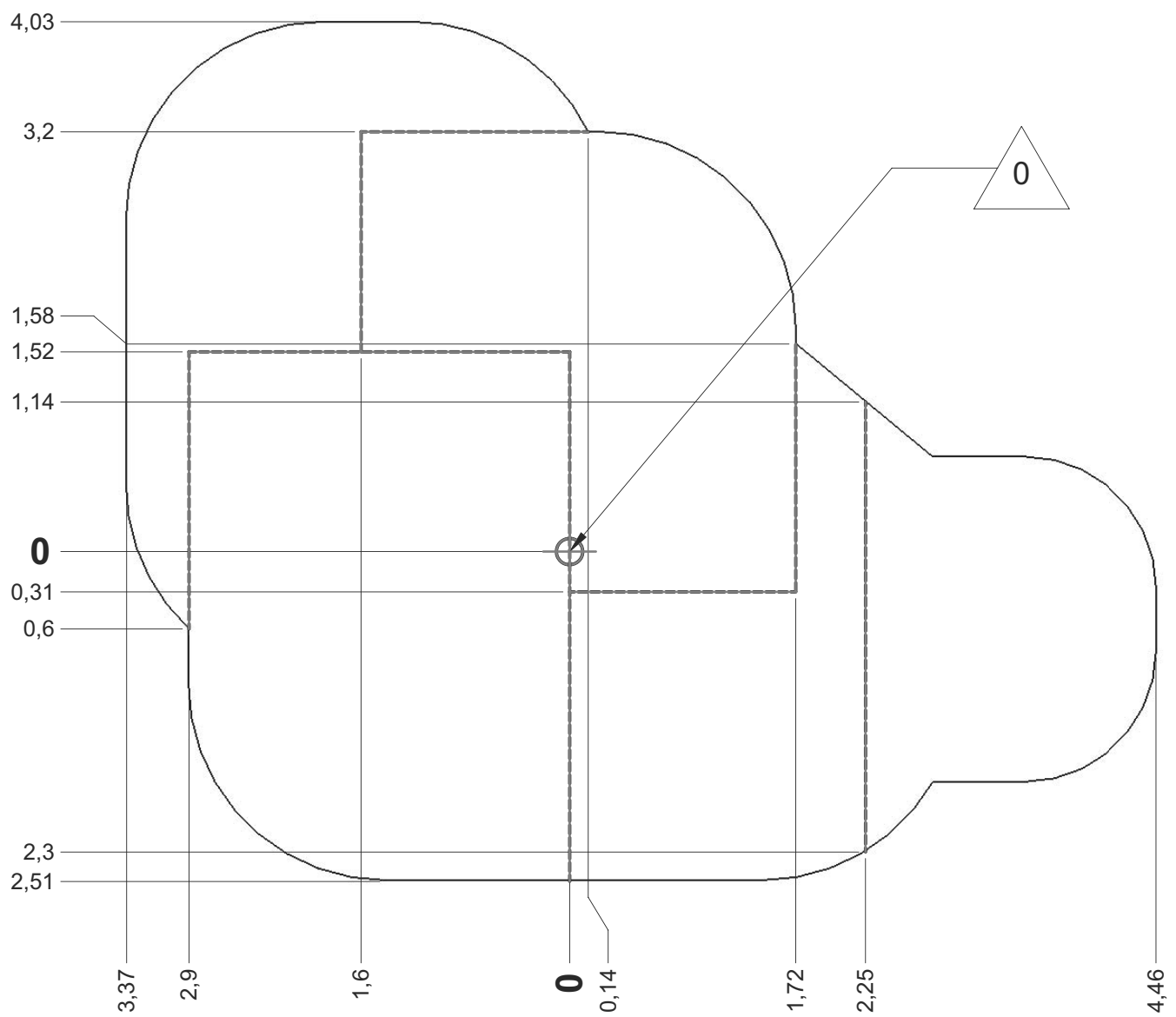
— Zone d'impact
 Impact area
 Area de impacto
 Fallraum
 Valzone

37 m²



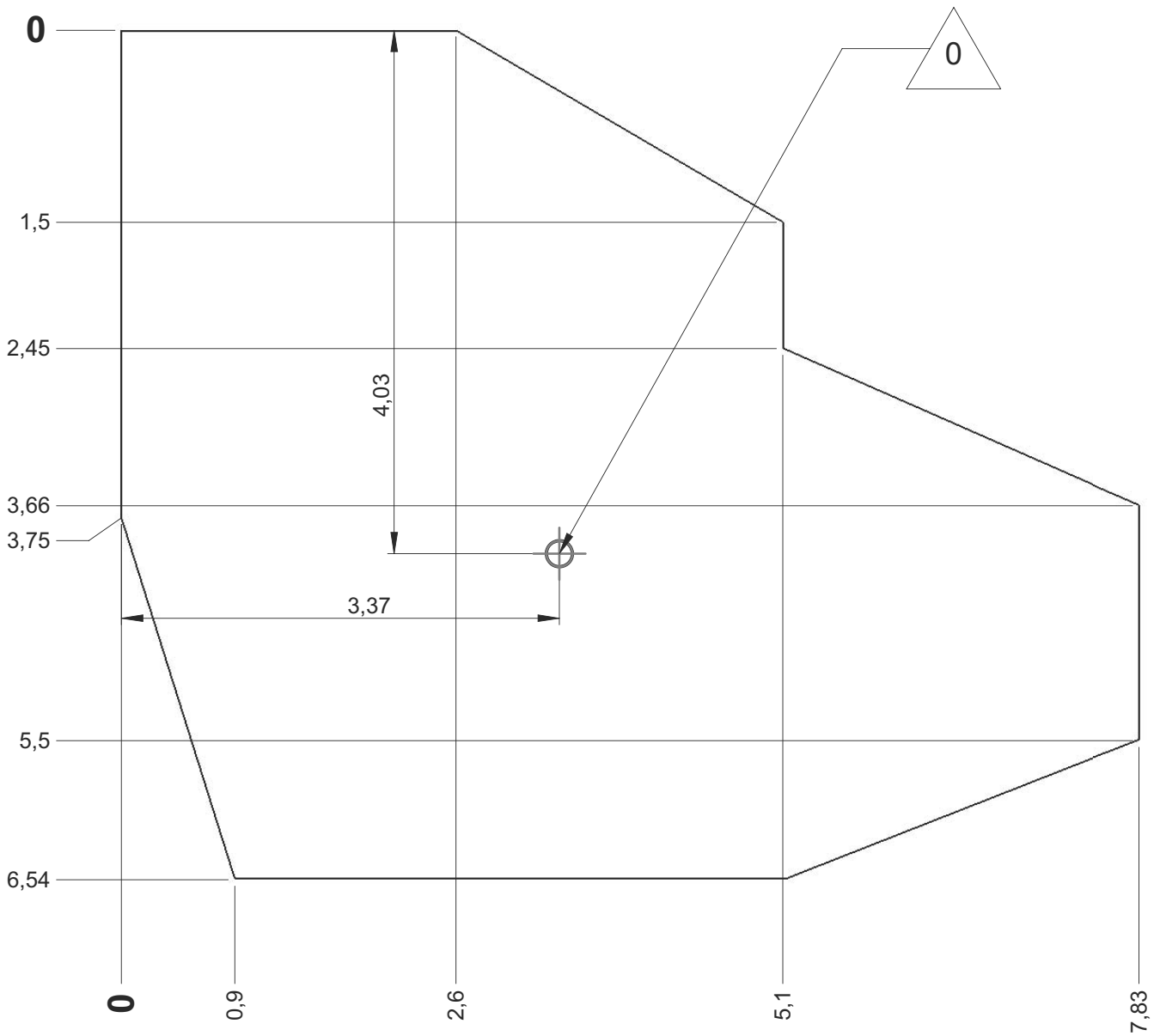
— Sol souple
Wetpour
Caucho continuo
Synthetischer fallschutz
Gietvloer

37 m²



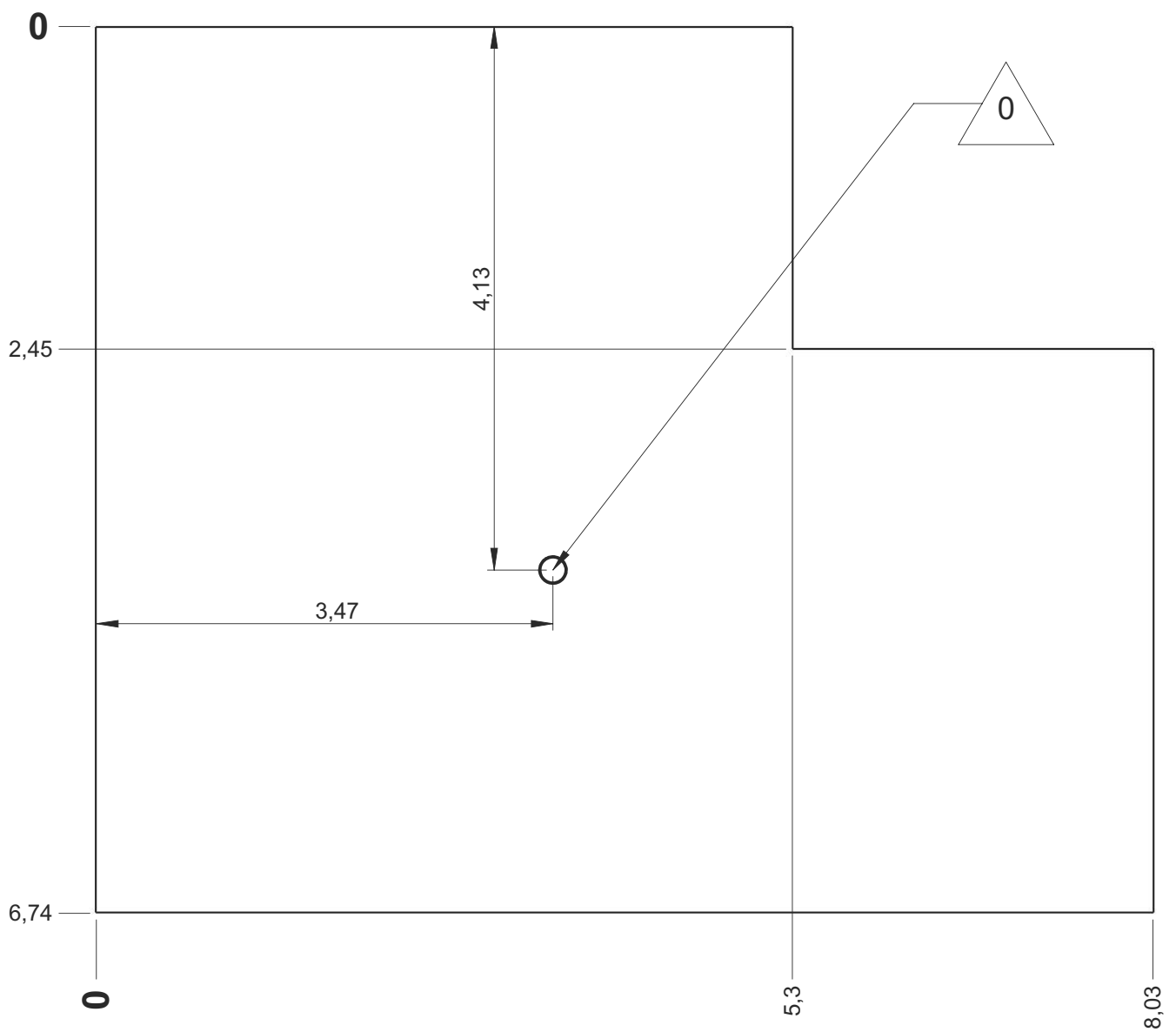
— Dalle béton
 Concrete pad
 Solera de hormigon
 Beton bodenplatte
 Betonnen bodemplaat

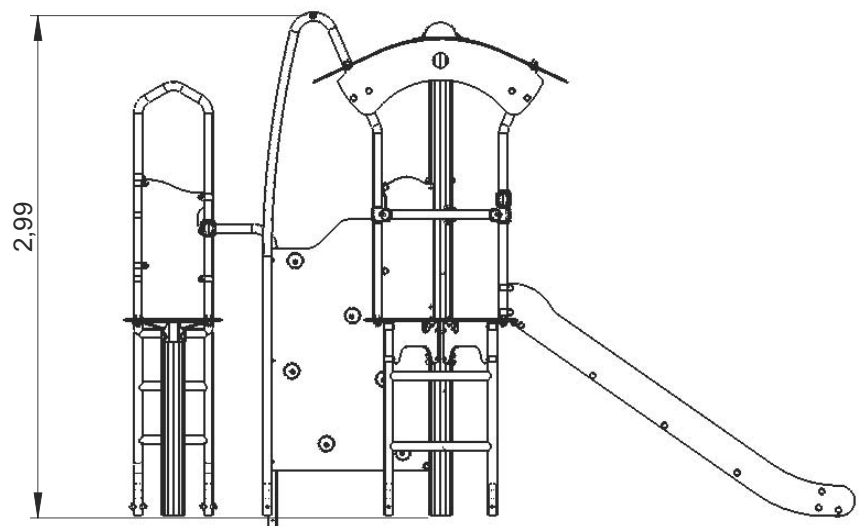
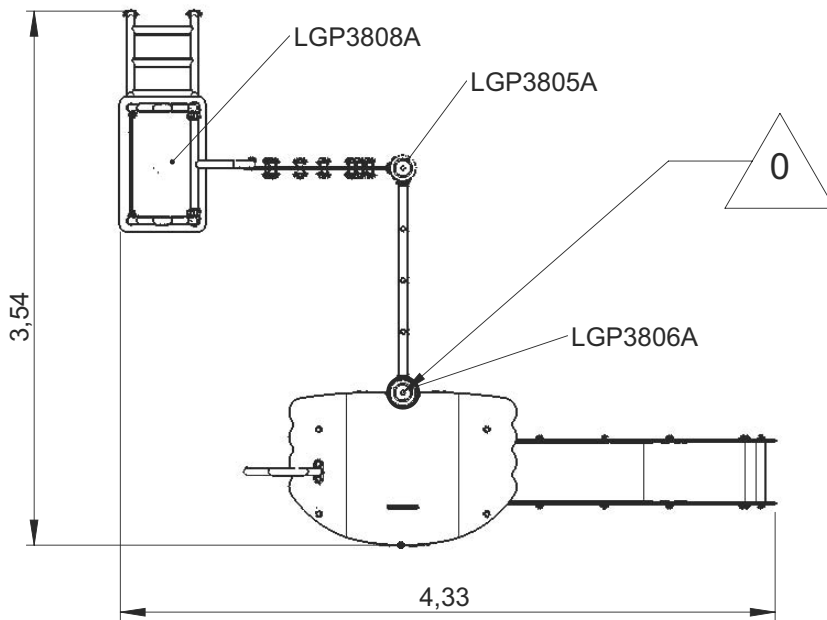
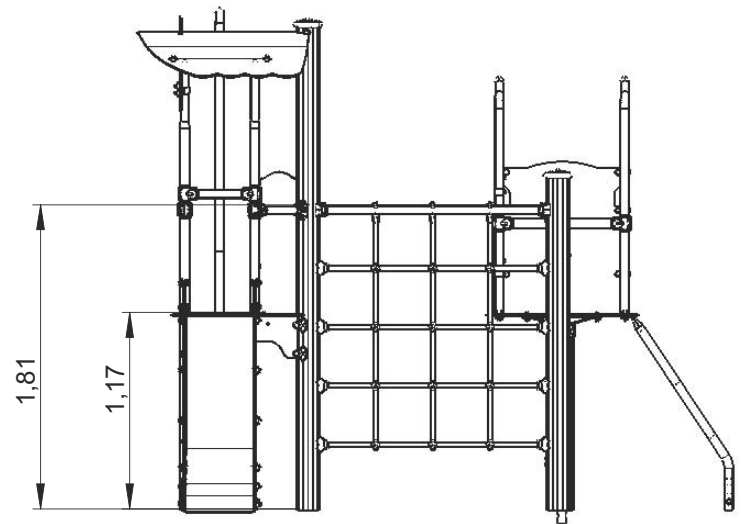
26 m
 39 m²



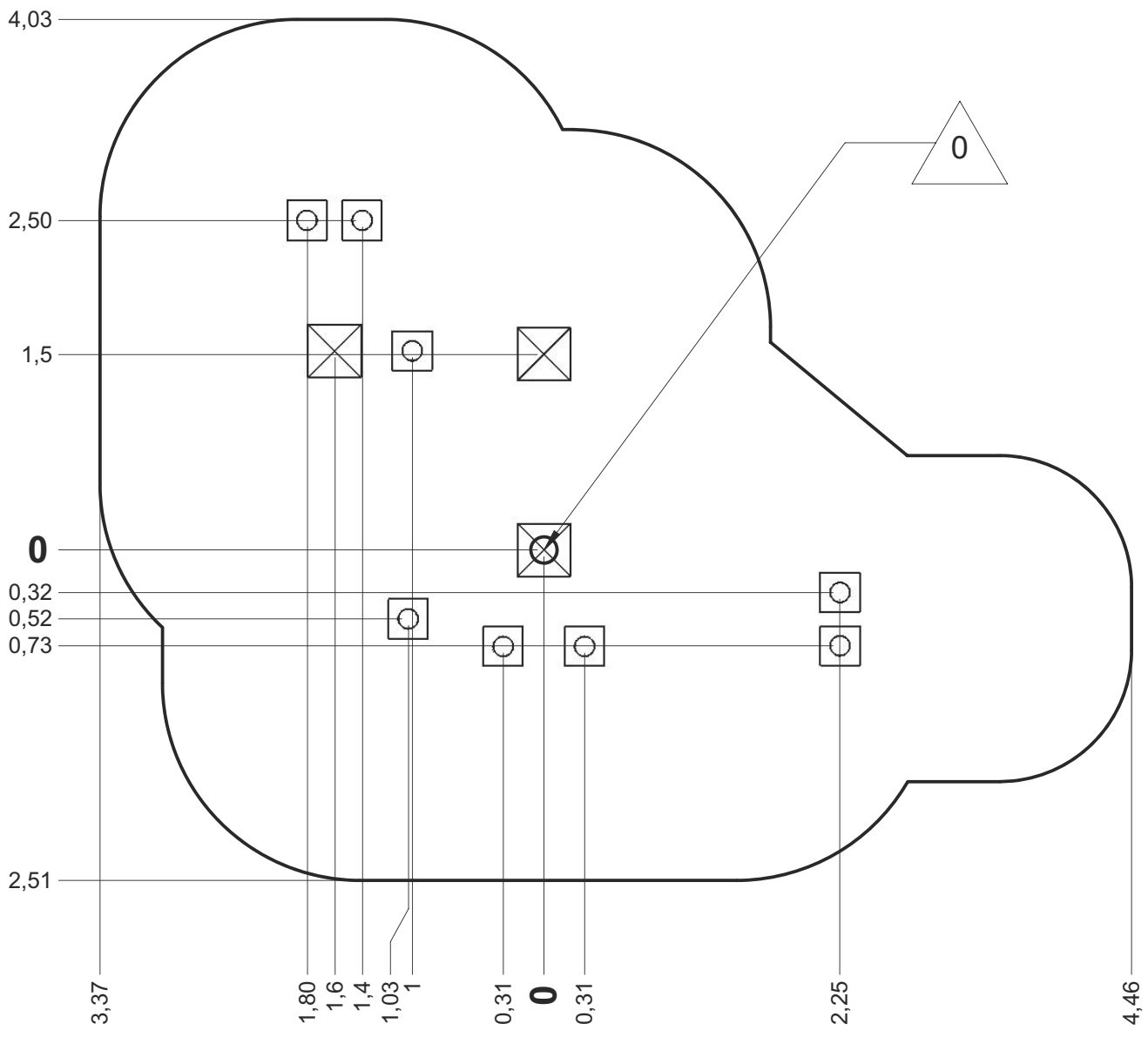
— Sol fluent
Loos partucule material
Arenero
Loses Bodenmaterial
Los bodemmateriaal

30 m
48 m²

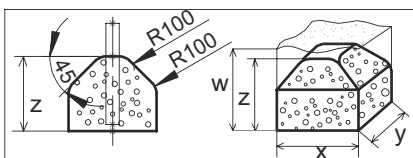







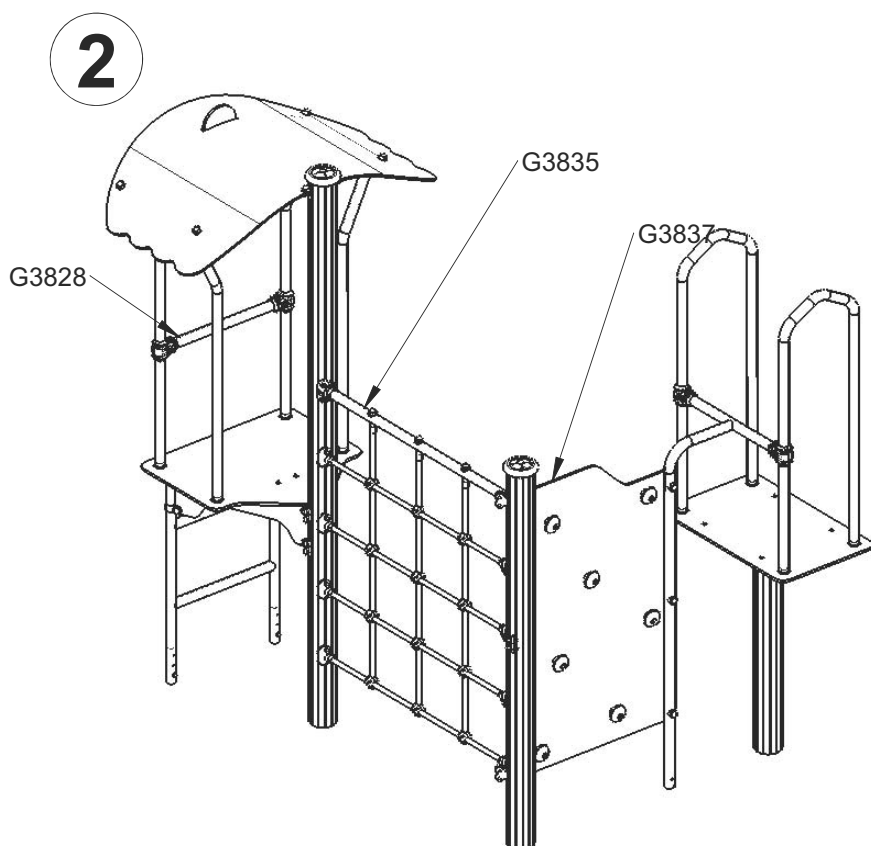
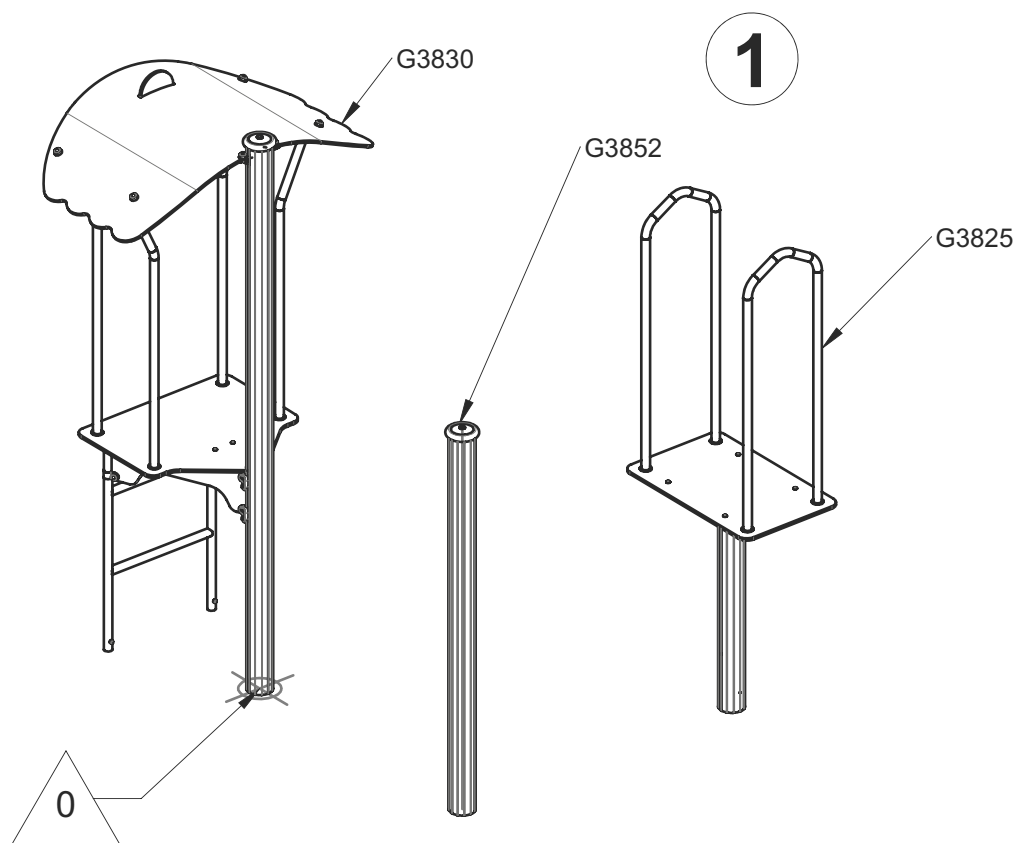
Implantation
 Footing plan
 Implantación
 Fundamentplan
 Funderingstekening



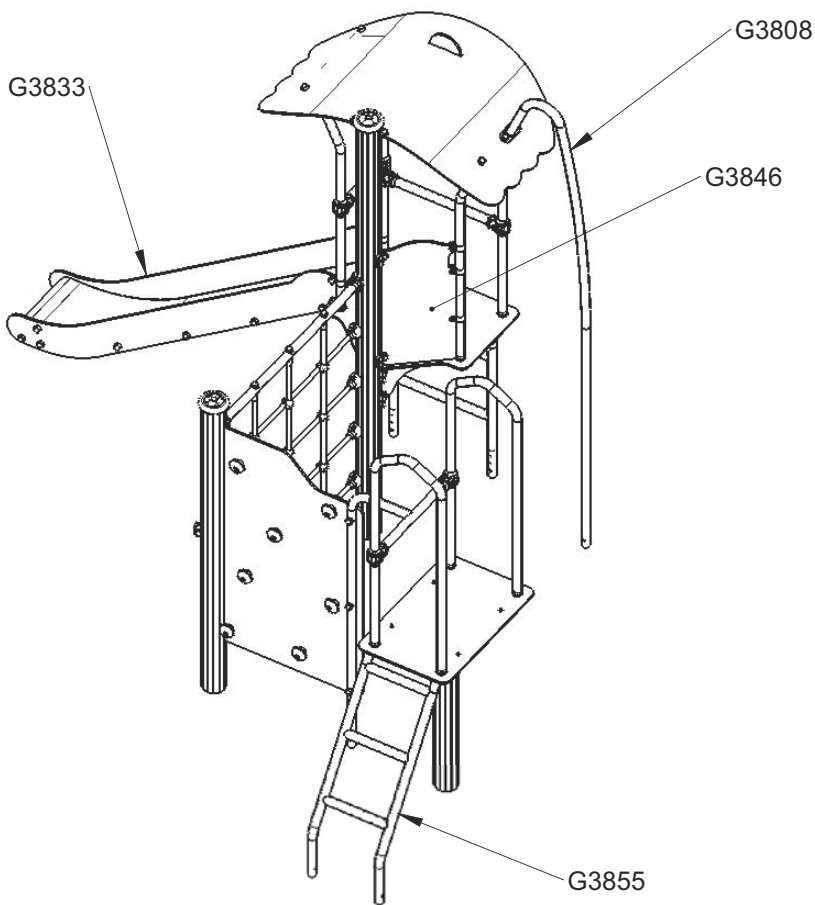
 x2
 12H
 0.4 m³



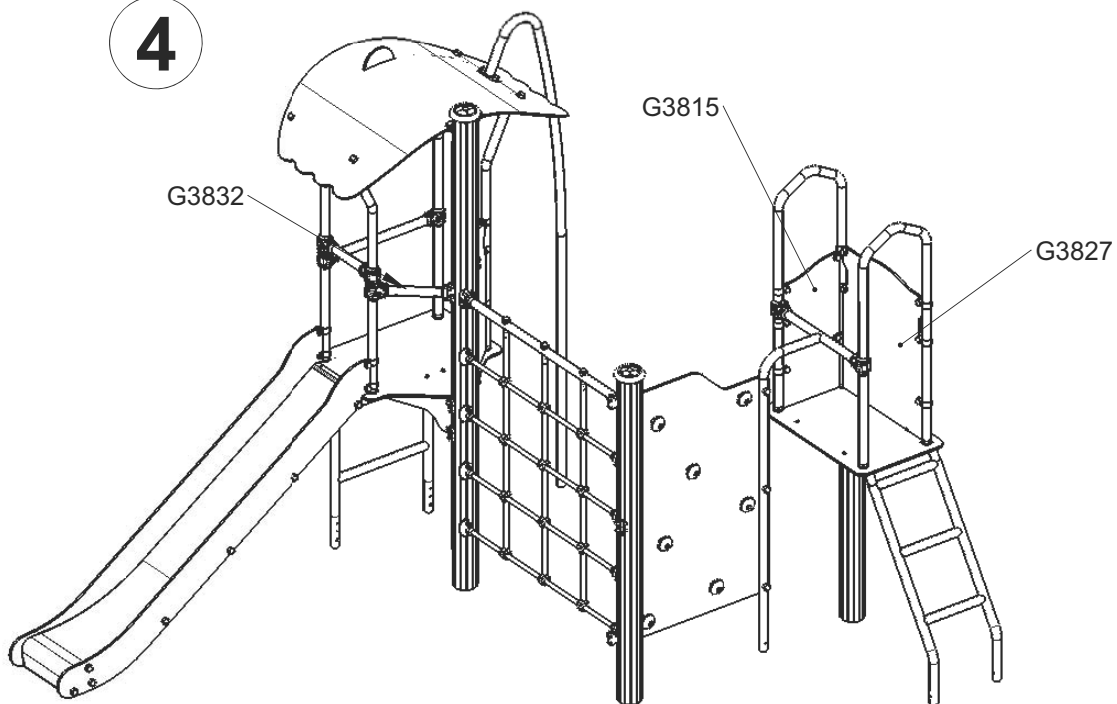
	x	y	z	w
	0.3	0.3	0.3	0.6
	0.4	0.4	0.3	0.6
	0.6	0.3	0.3	0.6



3

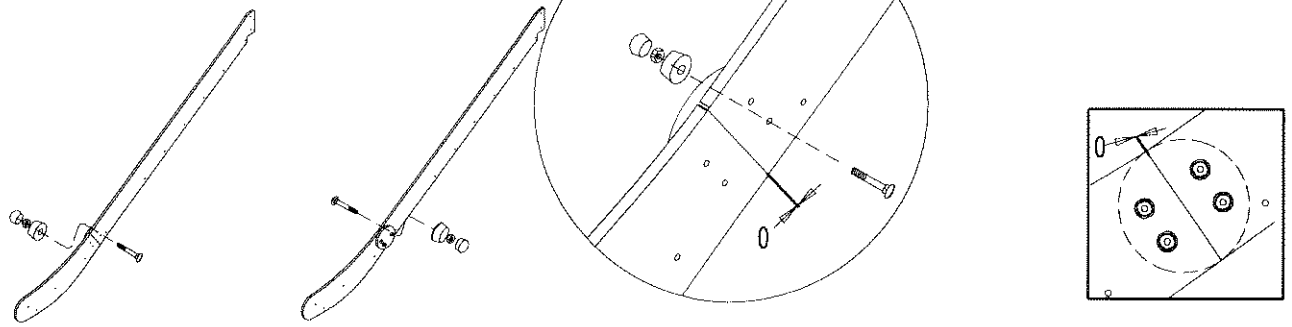


4

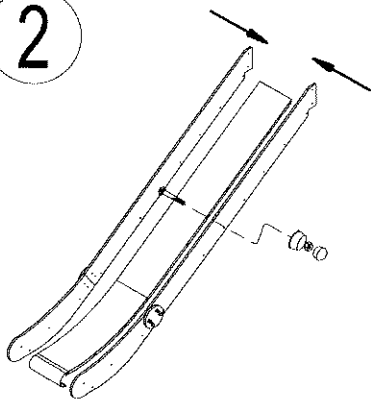


Réf	Qté
G3808	1
G3815	1
G3825	1
G3827	1
G3828	1
G3846	1
G3830	1
G3833	1
G3832	1
G3837	1
G3852	1
G3835	1
G3855	1

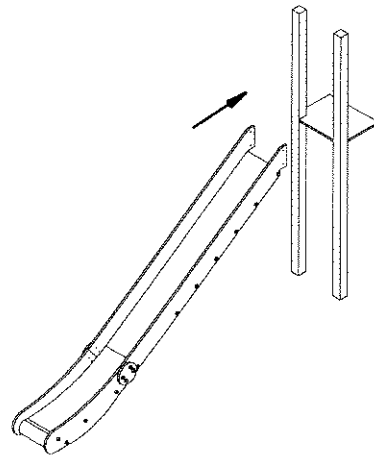
1



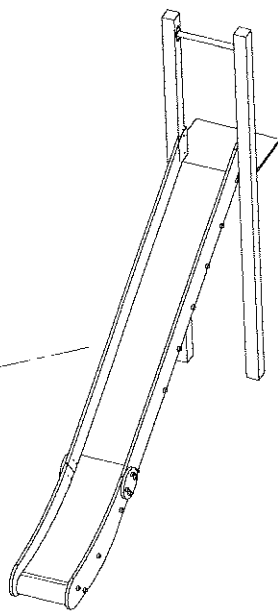
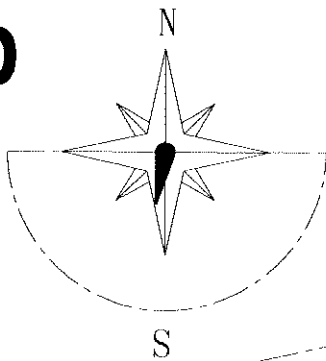
2



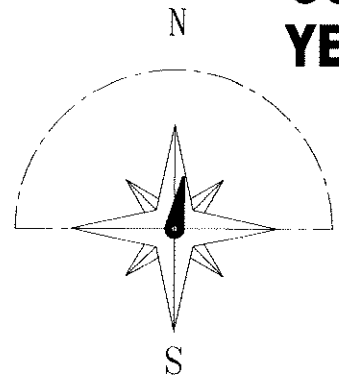
3



NON
NO

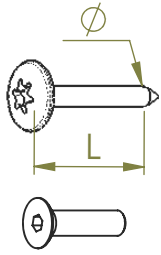


OUI
YES



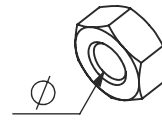
FR

Il est recommandé de ne pas orienter la glissière Sud / Sud Ouest

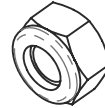


VBT 6 x 30
 \varnothing \uparrow L (mm)

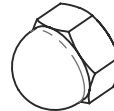
VFHC



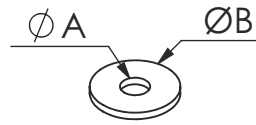
VEC M10
 \varnothing



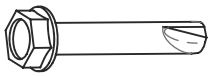
VEF



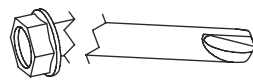
VEB



VR6x18
 $\varnothing A$ $\varnothing B$



VTHA

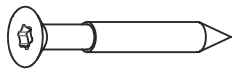


1000 - 1800 RPM

Vitesse de rotation
 Rotation speed

< 14 N.m

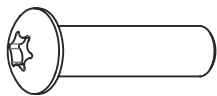
Couple de rupture
 Breakage torque



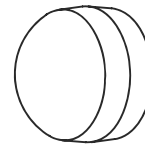
VWT



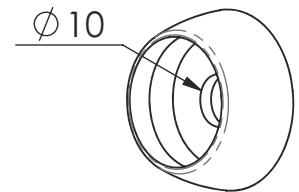
VGC



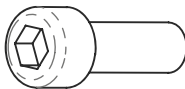
VCBHC



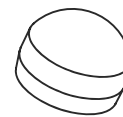
M10 440N



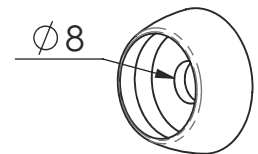
M10 310 N



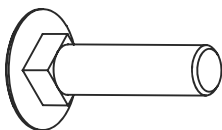
VBTR



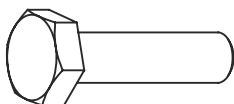
M8440N



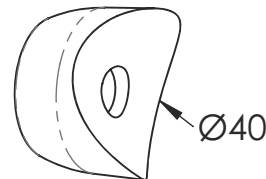
M8310N



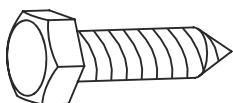
VTRCC



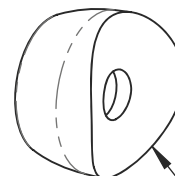
VTH



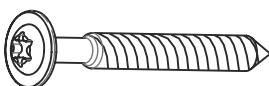
MI2503



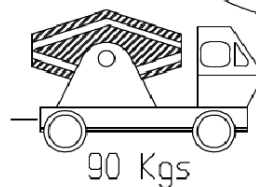
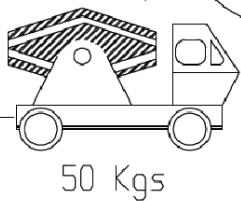
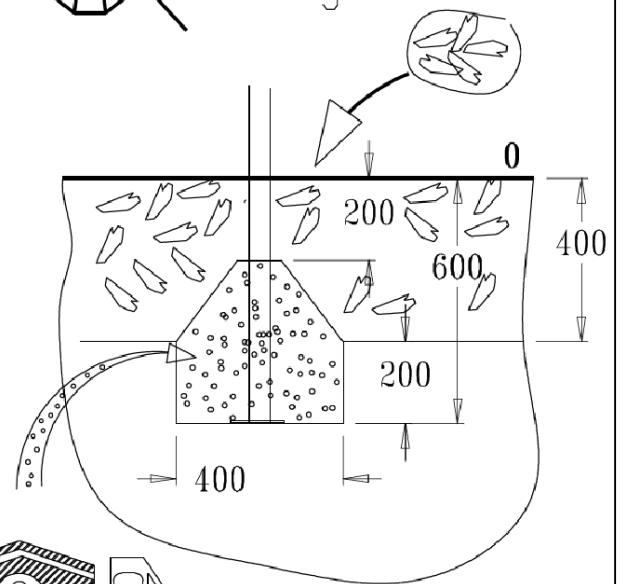
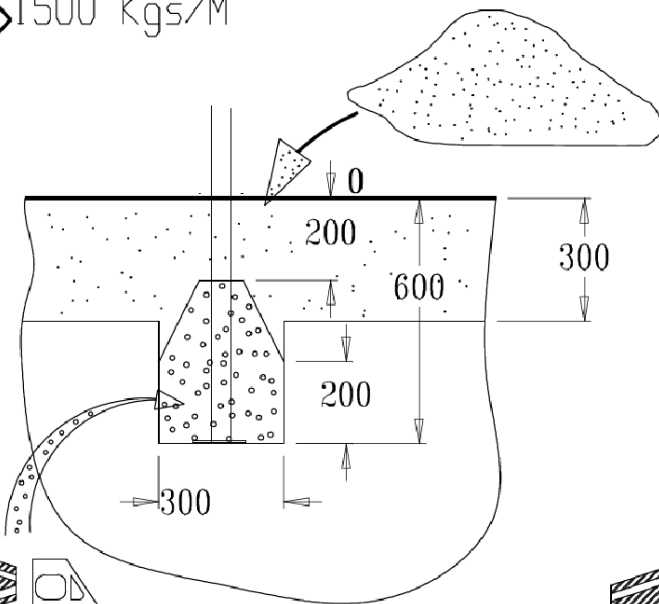
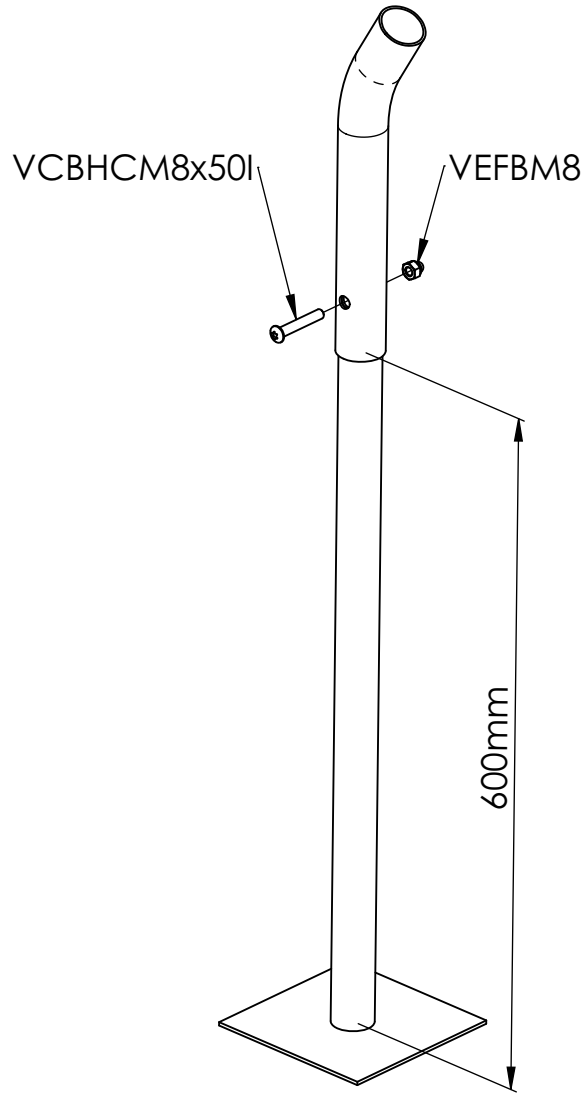
VTF



MI2701

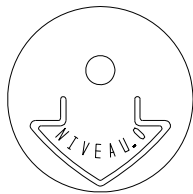


VBT



A

Proludic



MI0002

VCBHCM10

M10310N
VEFM10
M10440N

LG08

M10440N
VEFM10
MI2503

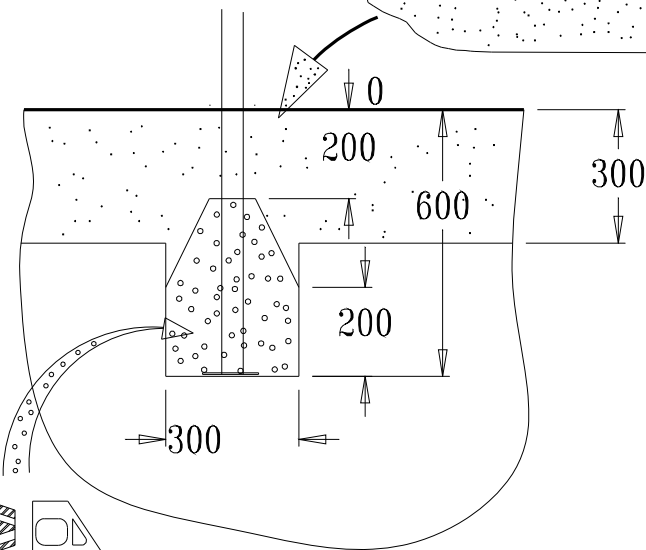
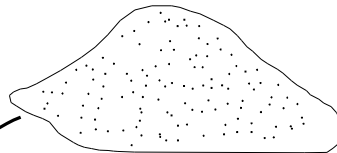
LG3802

M10440N
VTH10*80
MI2503

LG3804



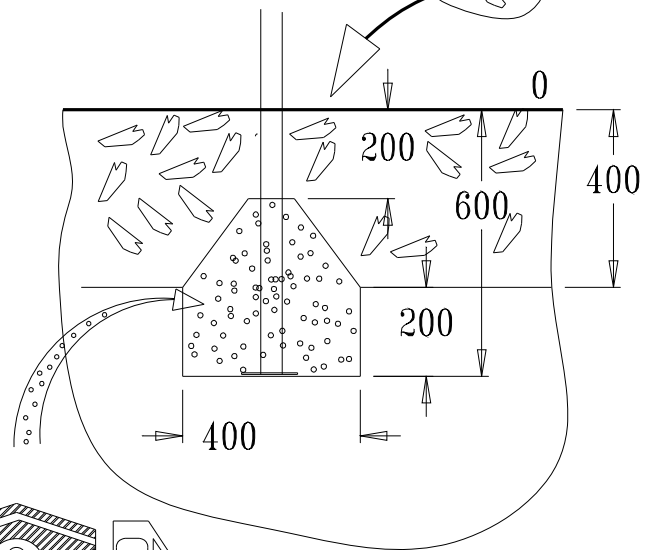
> 1500 Kgs/M³



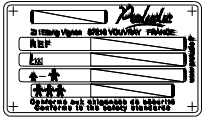
50 Kgs



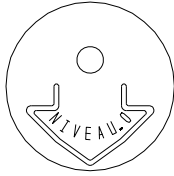
< 1500 Kgs/M³



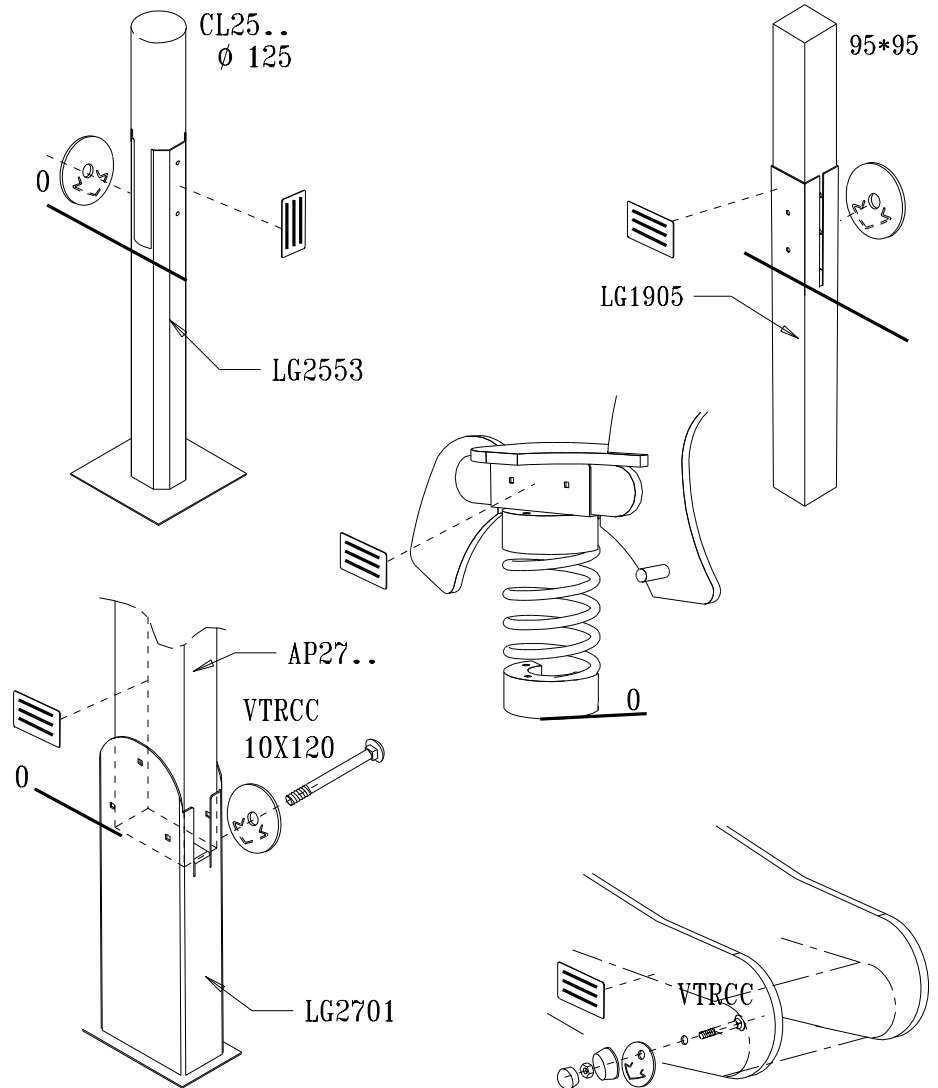
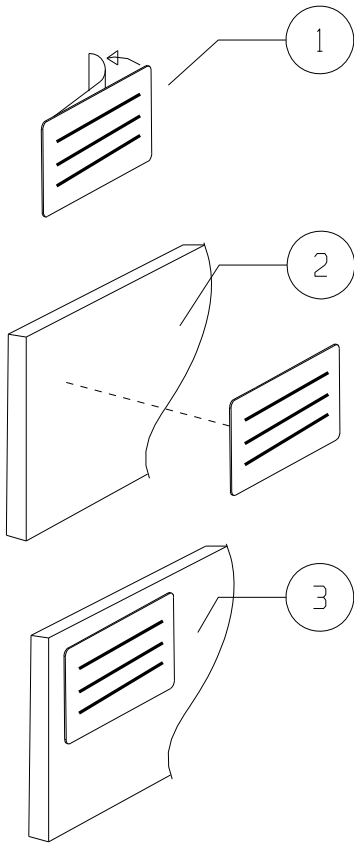
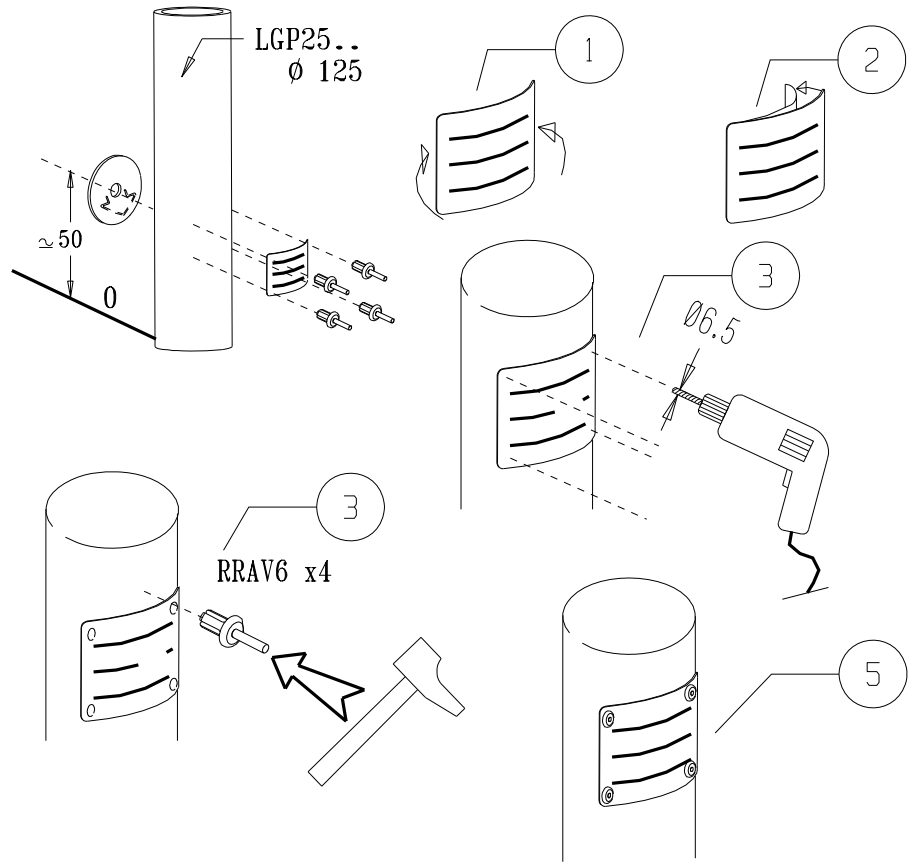
90 Kgs

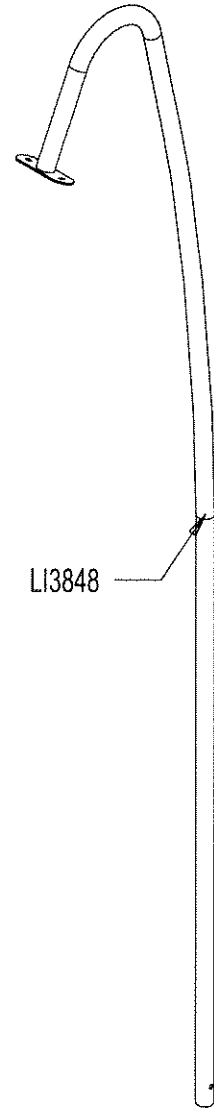
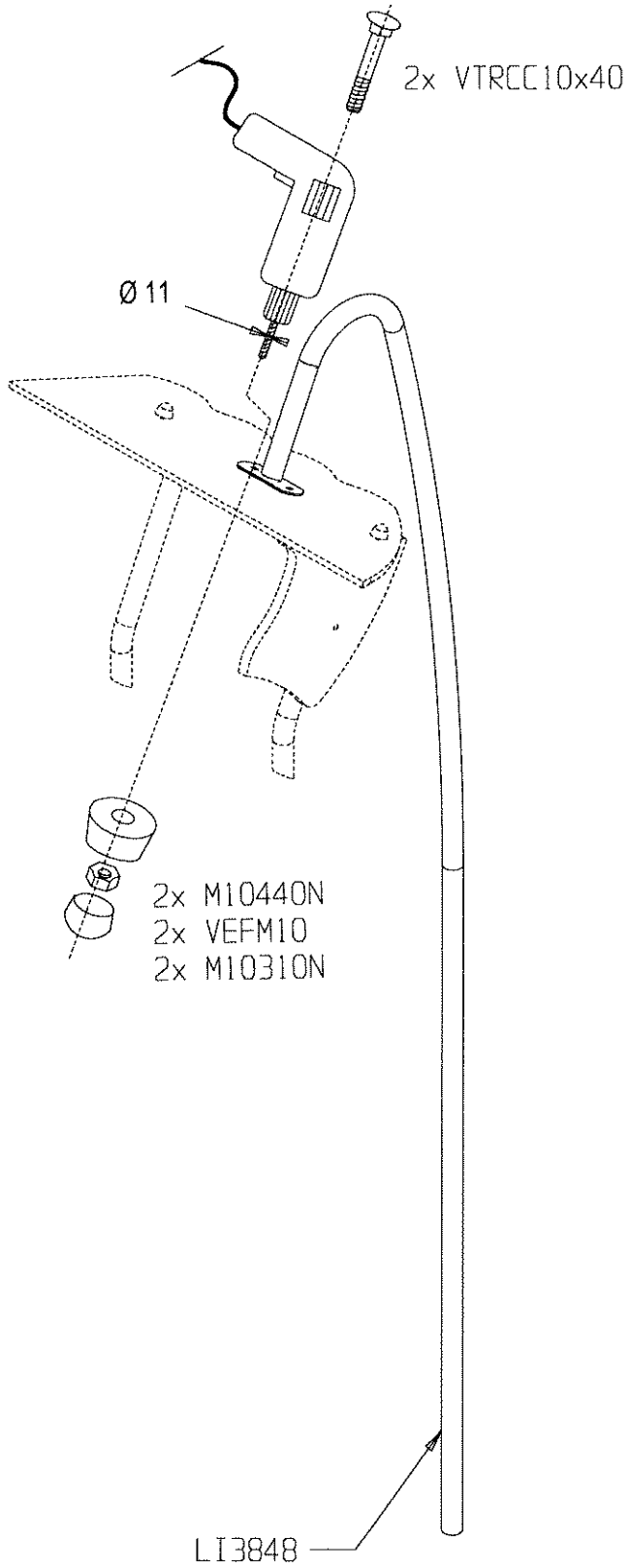


LA000

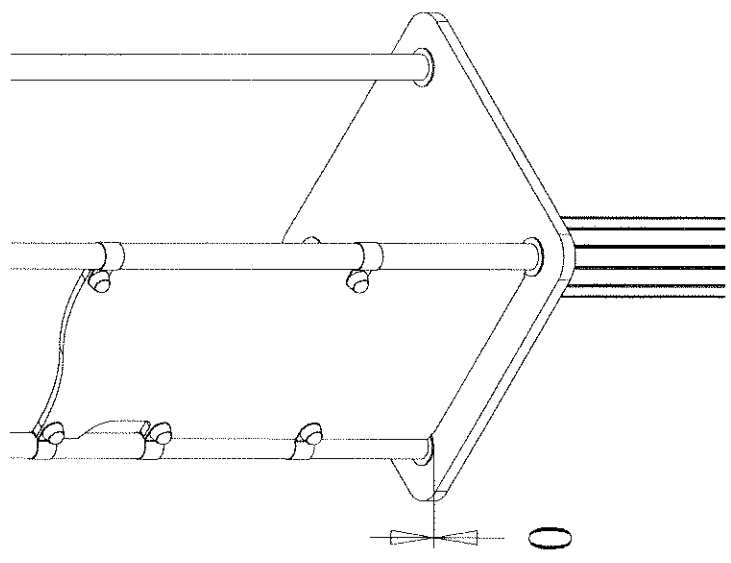
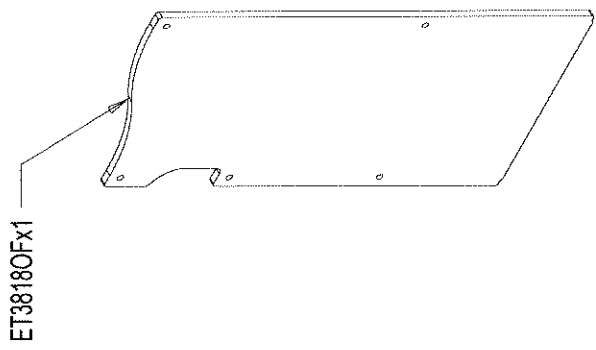
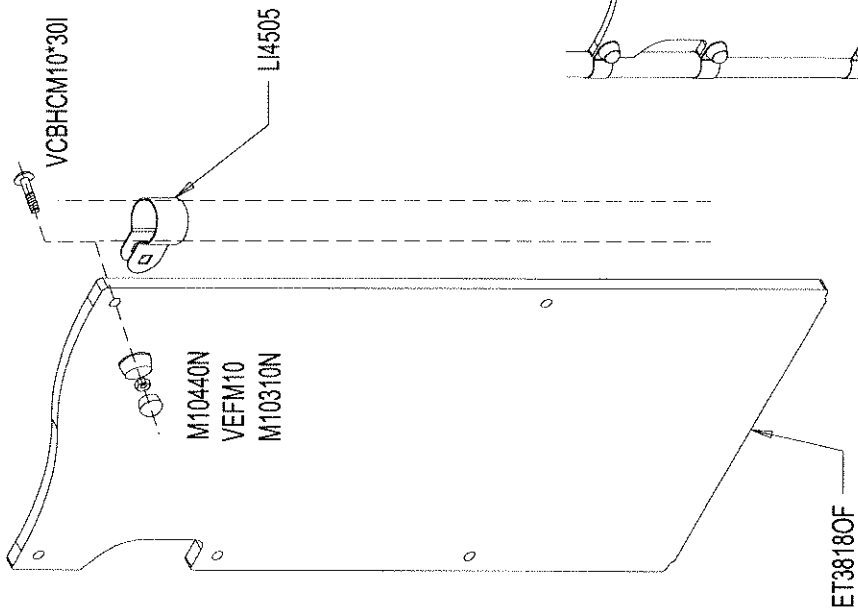


MI0002

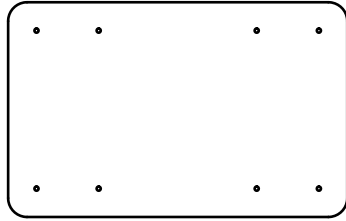
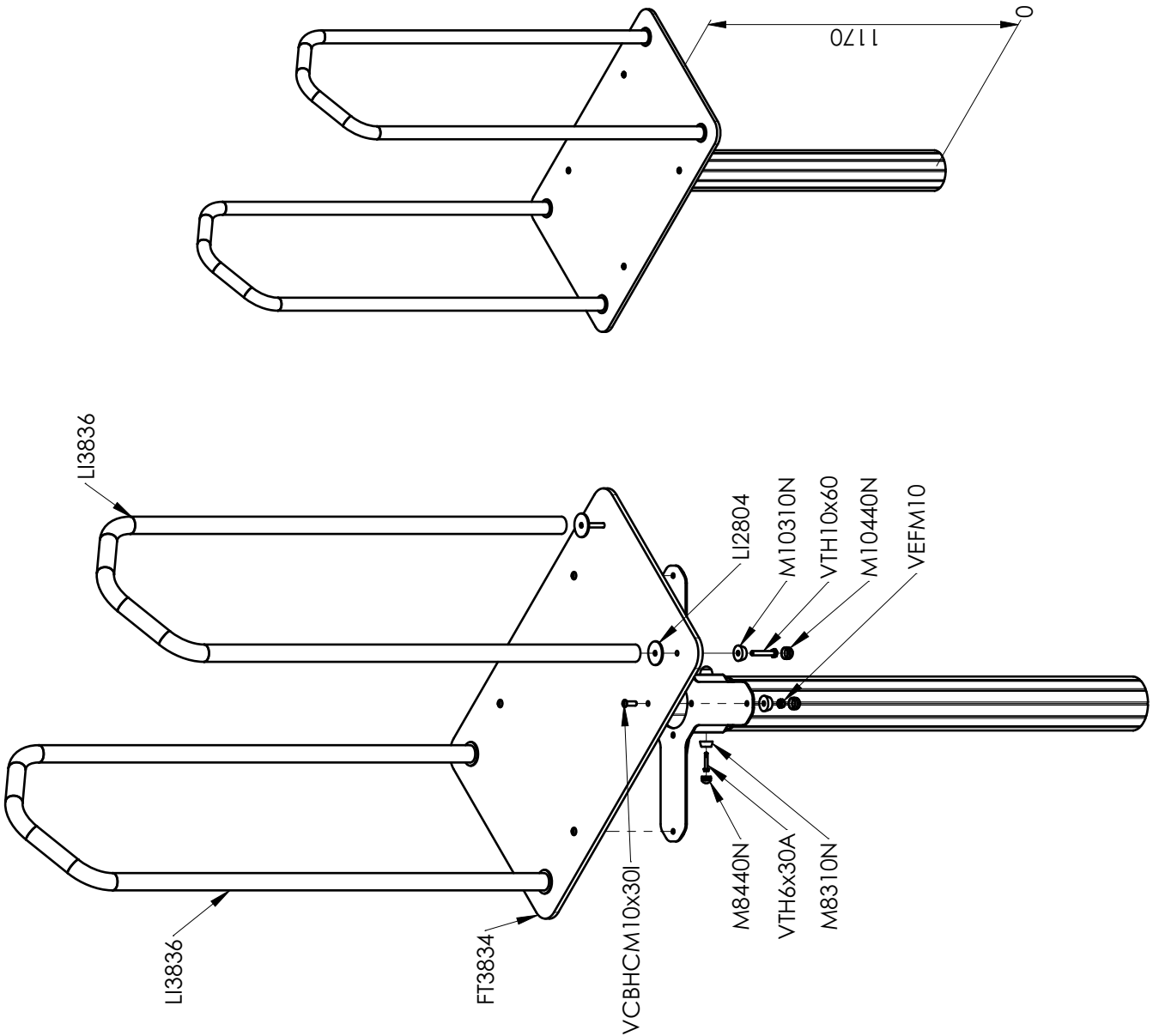




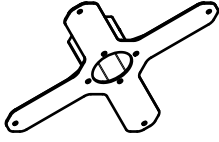
	VTRCC 10x40	2
	VEFM10	2
	M10310N	2
	M10440N	2



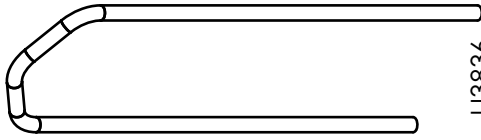
	VEFM10	5
	VCBHCM10*30I	5
	M10310N	5
	M10440N	5
	LI4505	5



FT3834



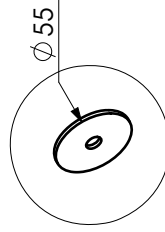
LG3810



LI3836

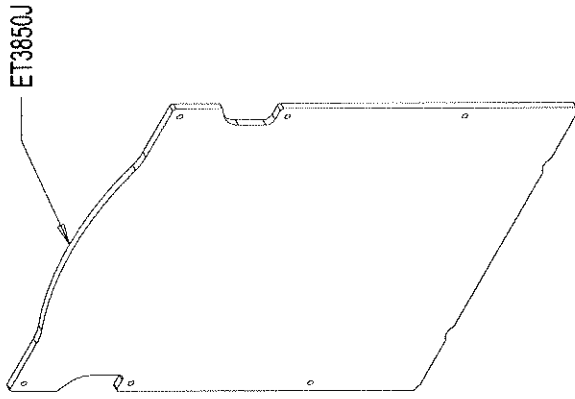
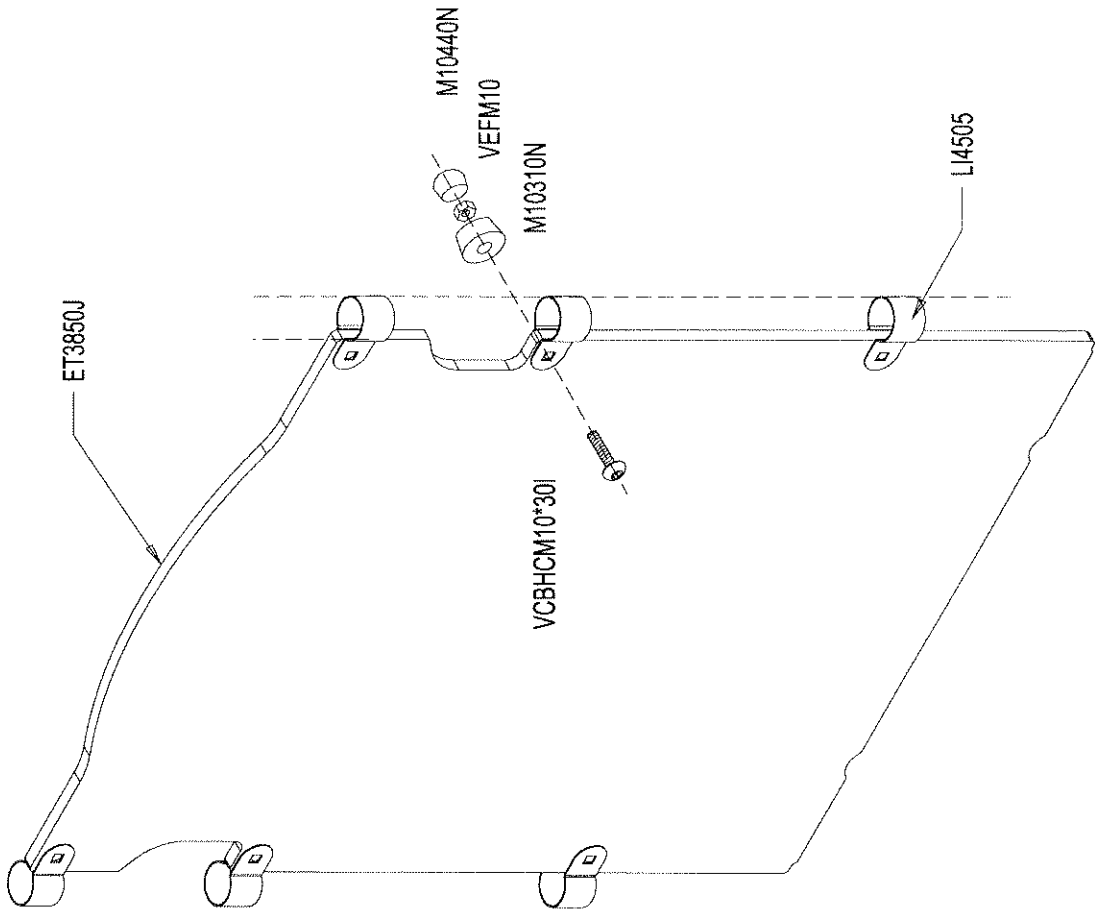


LGP3808A



LI2804

Réf	Qté
FT3834	1
LG3810	1
LGP3808A	1
LI2804	4
LI3836	2
M8310N	4
M8440N	4
M10310N	8
M10440N	8
VCBHC M10x30I	4
VEFM10	4
VTH6x30A	4
VTH10x60	4



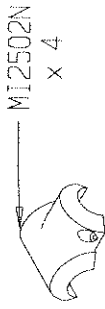
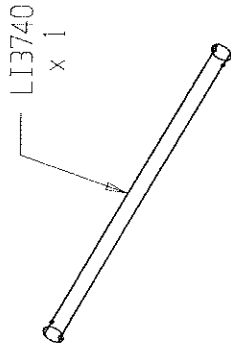
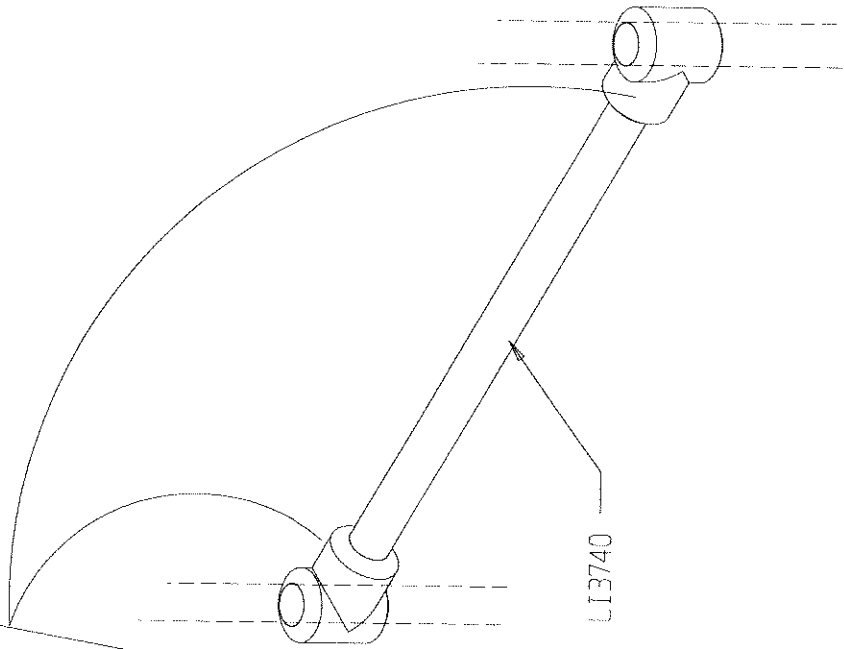
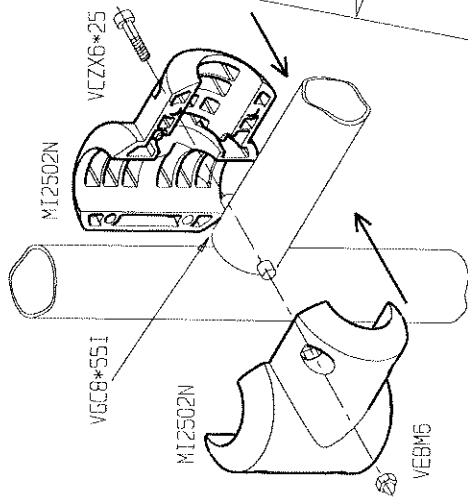
	VEFM10	6
	VCBHCM10*30I	6
	M10310N	6
	M10440N	6
	LI4505	6

63828

HT620 OU HT715

11/01/2011

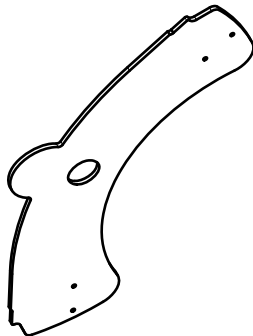
Proactive



	VEB16	8
	VCZX 6x25	8

LGP3806A

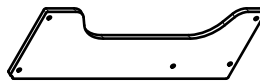
1x
ET3831



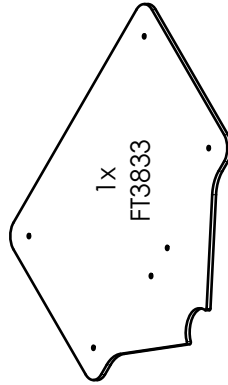
1x
LP3800N



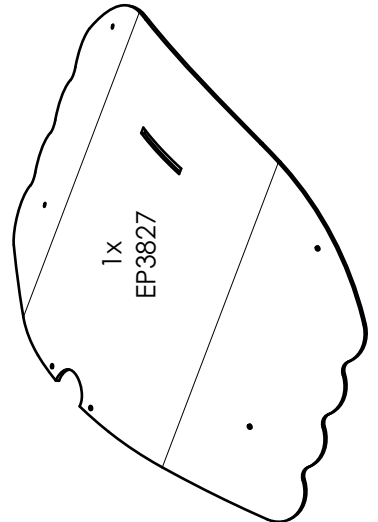
1x
ET3832



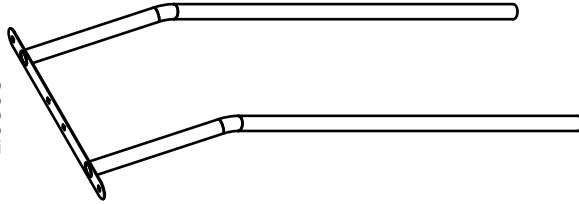
1x
FT3833



1x
EP3827



2x
LI3858



1x
LG4412



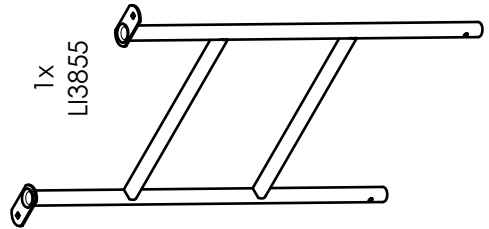
1x
MI025N



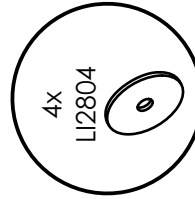
4x
MI4700



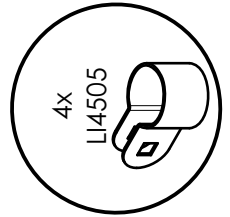
1x
LI3855



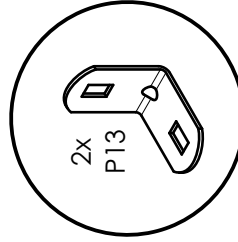
4x
LI2804



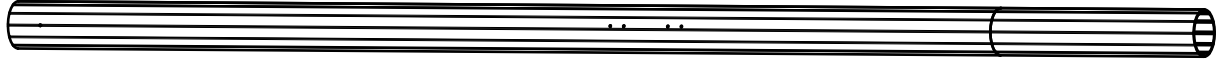
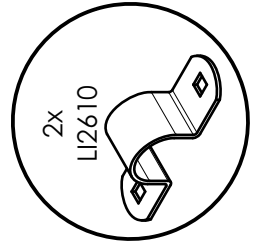
4x
LI4505



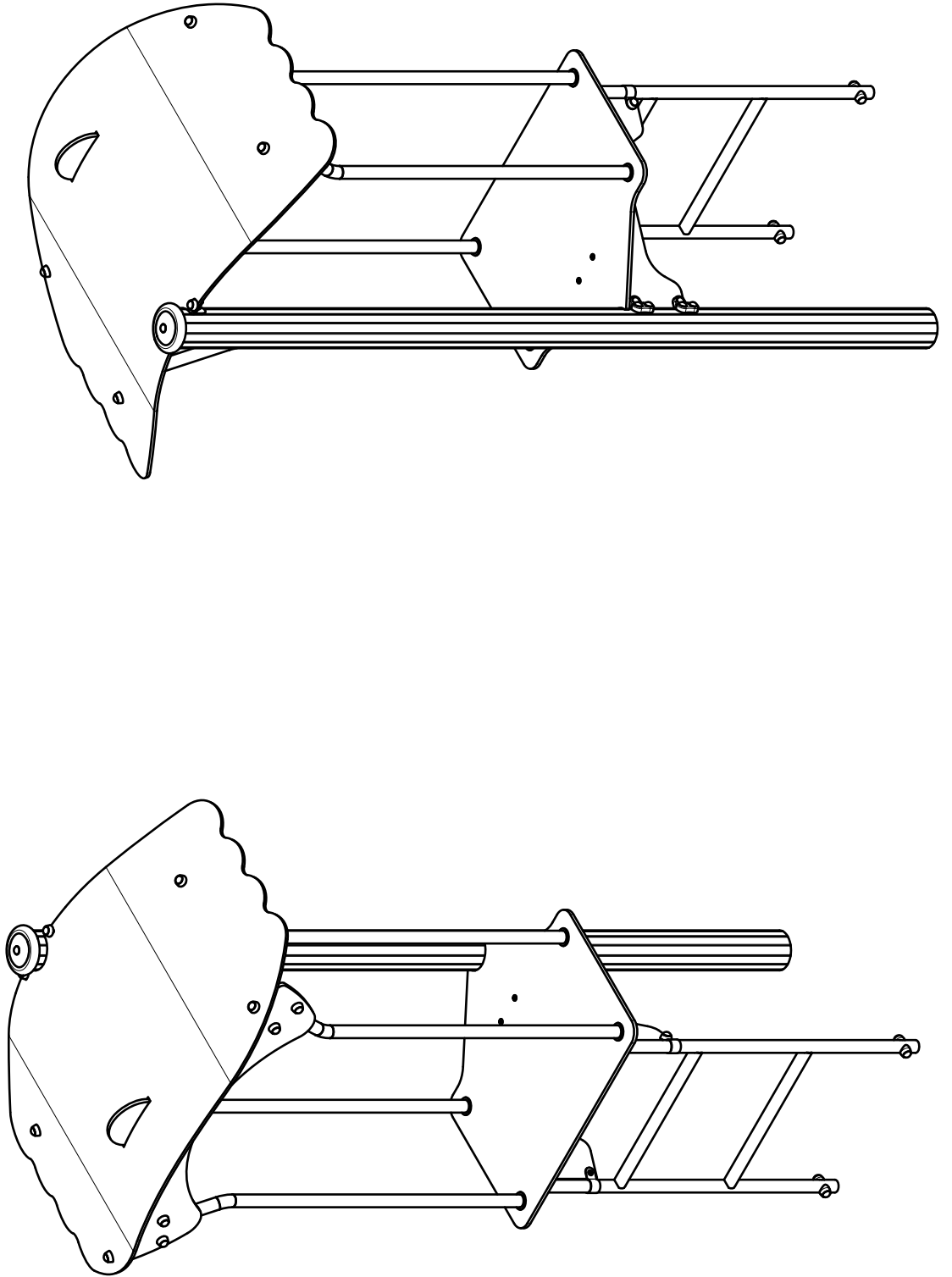
2x
P13

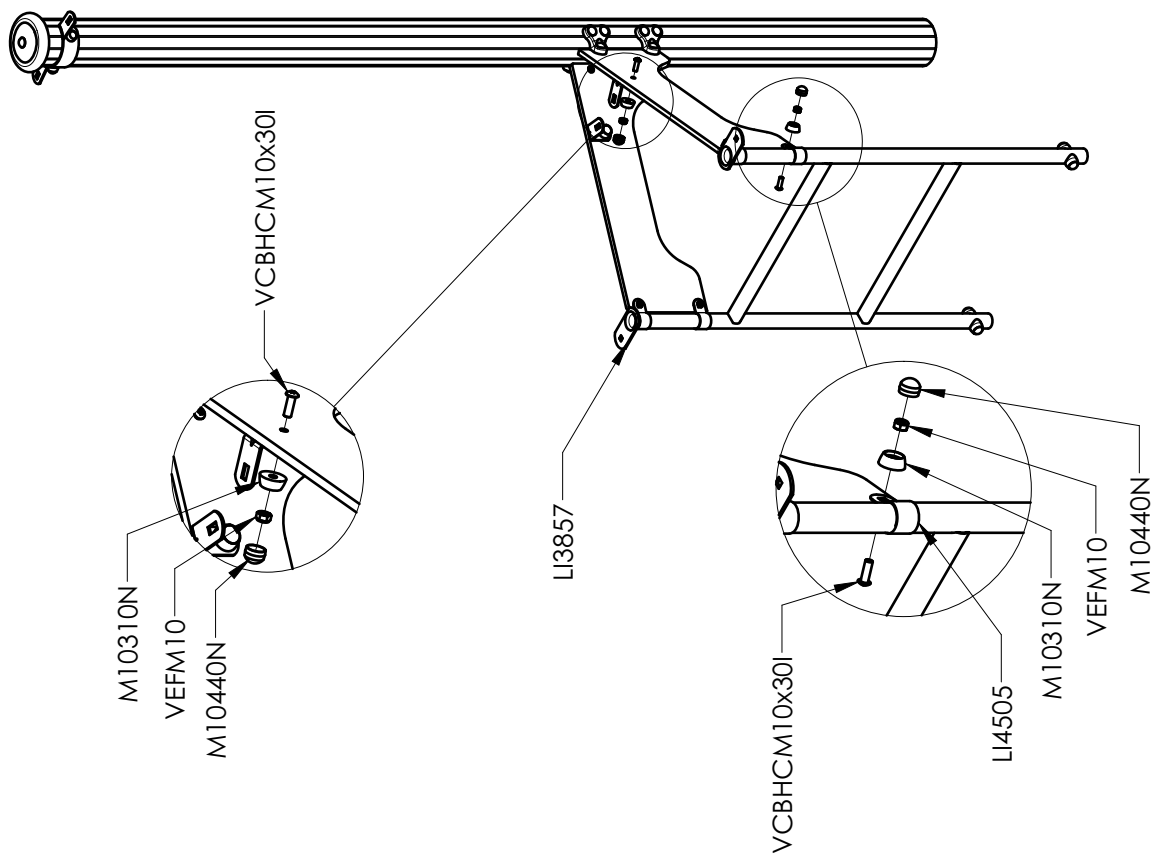
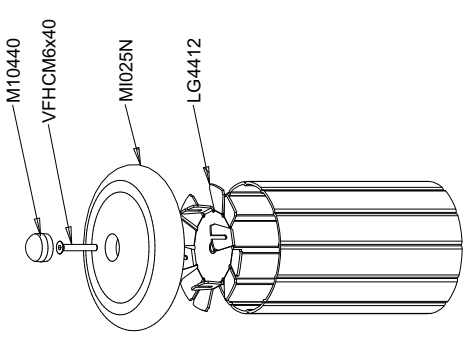
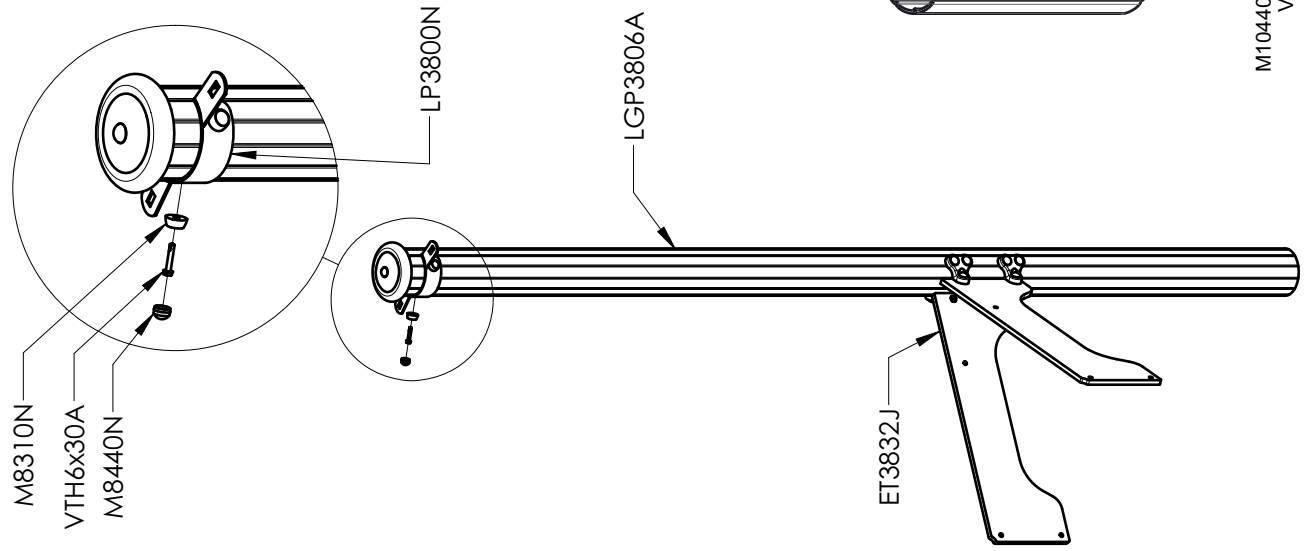


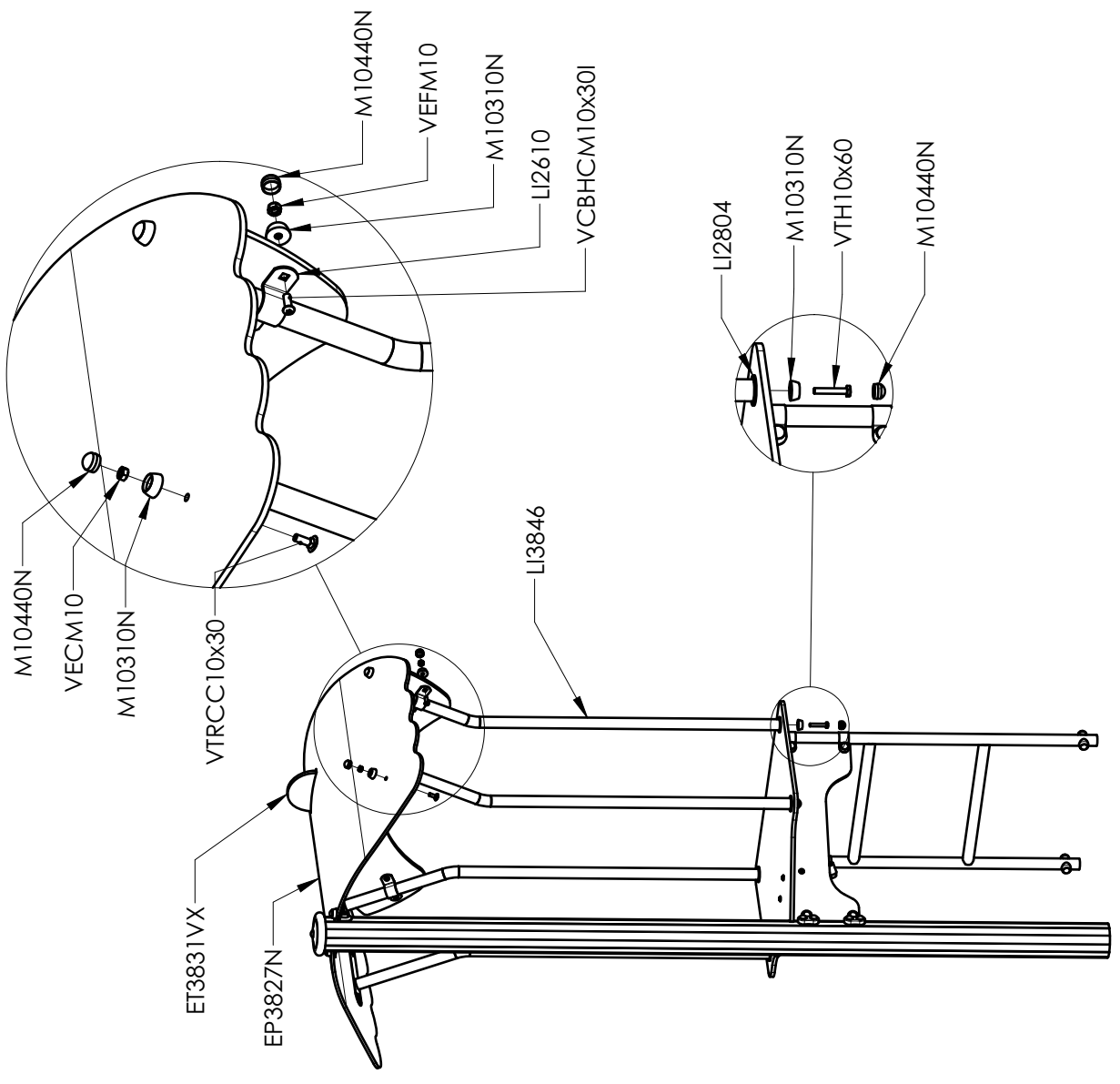
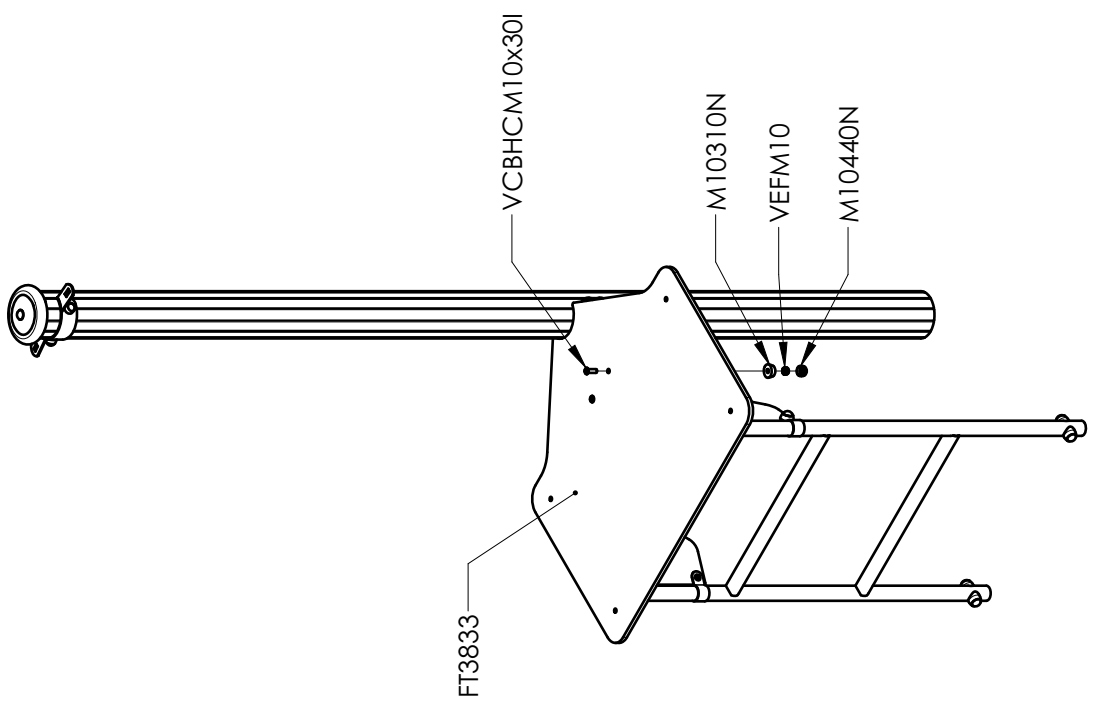
2x
LI2610

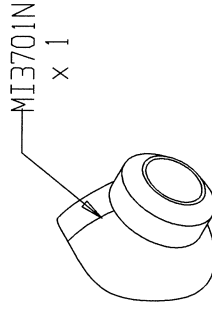
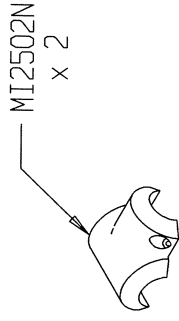
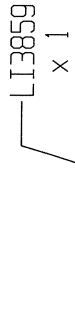
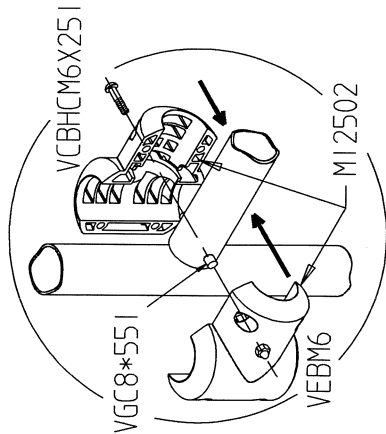
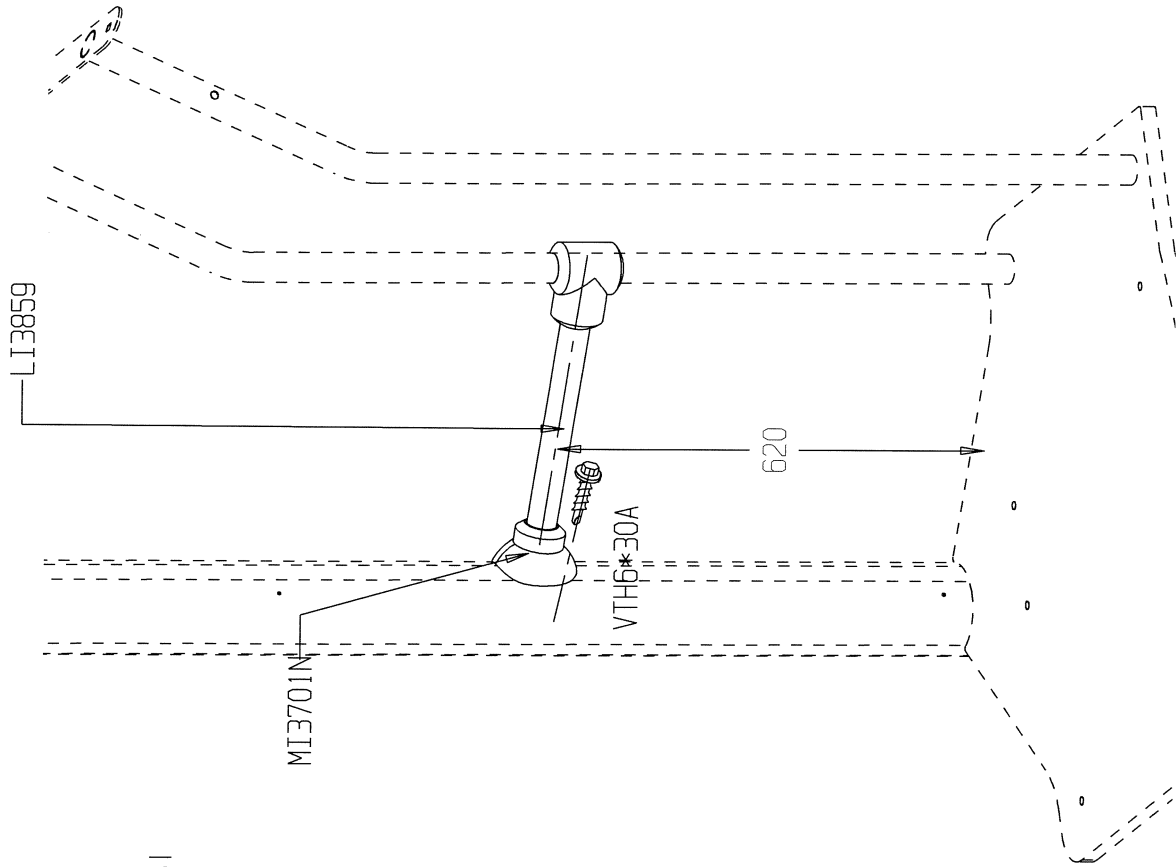


REF	QTE
EP3827N	1
ET3831 VX	1
ET3832J	2
FT3833	1
LG4412	1
LG4502	2
LGP3806A	1
LI2610	2
LI2804	4
LI3855	1
LI3858	2
LI4505	4
LP3800N	1
M8310N	2
M8440N	2
M10310N	22
M10440N	39
MI025N	1
MI2503N	4
MI4700	4
P13	2
VCBHC10x30I	16
VECM10	6
VEFM10	18
VFHC6x40	1
VTH6x30A	10
VTH10x60	6
VTRCC10x30	6

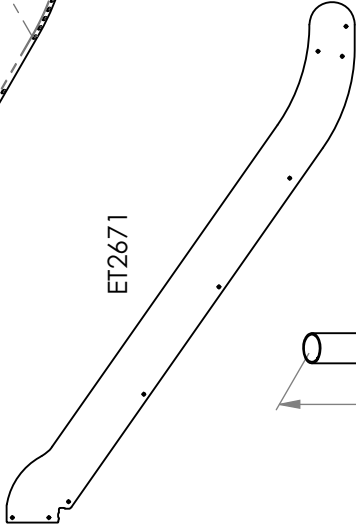
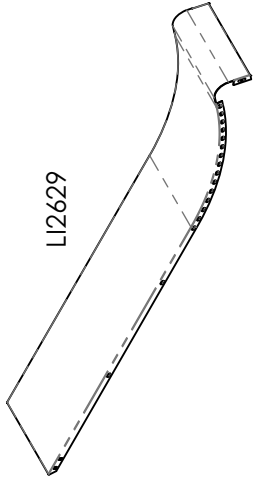
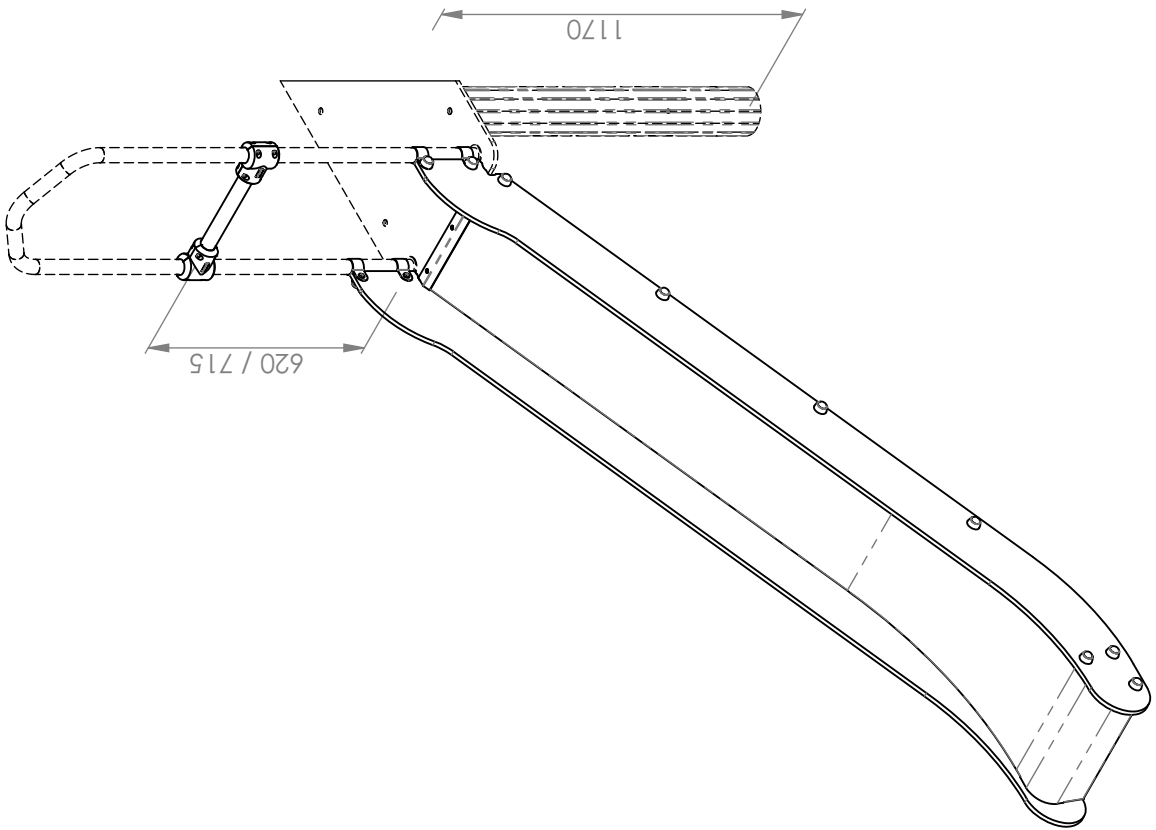








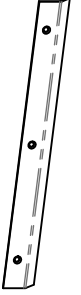
	VGC8*55I	2
	VEBM6	4
	VCBHC6*25I	4
	VTH6*30A	4



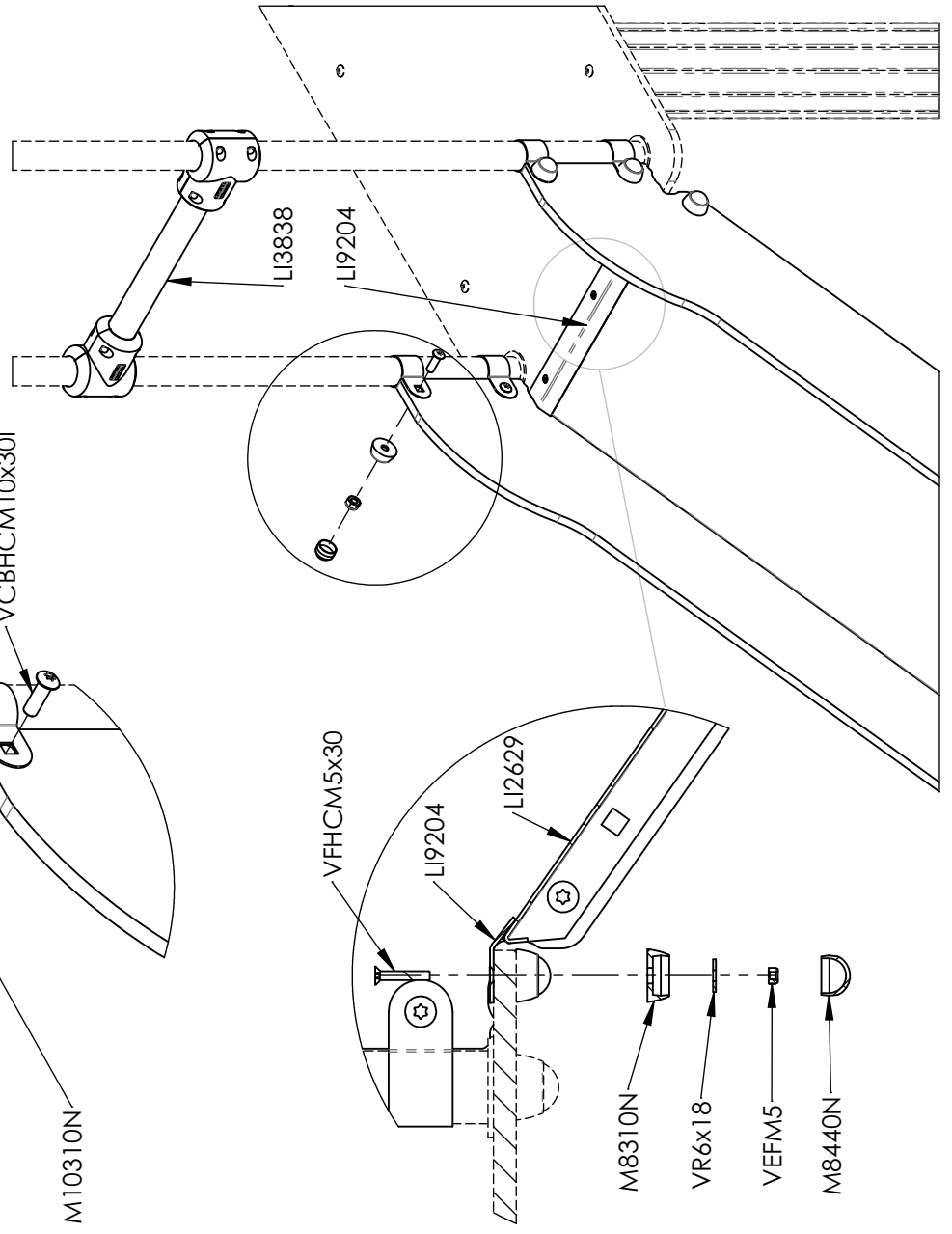
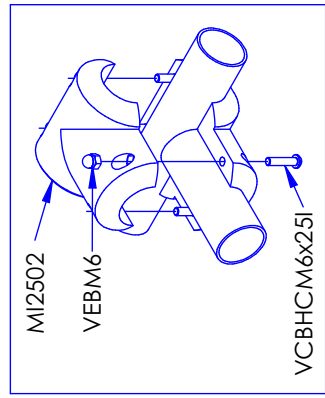
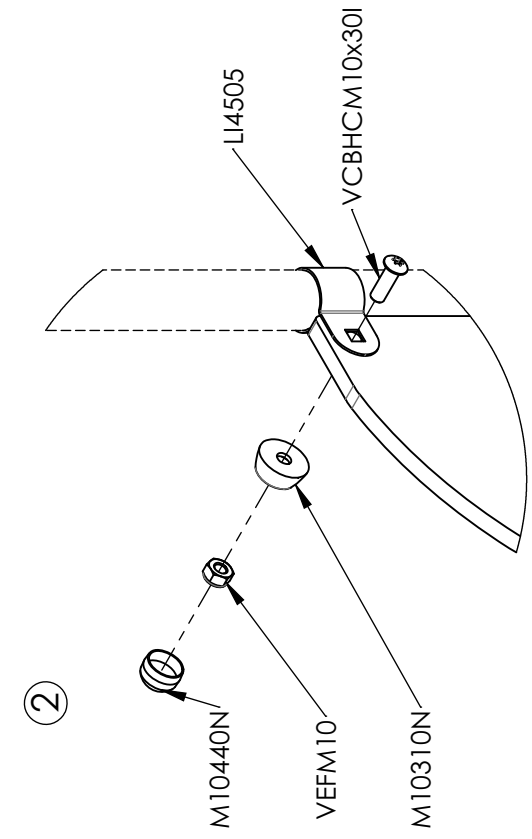
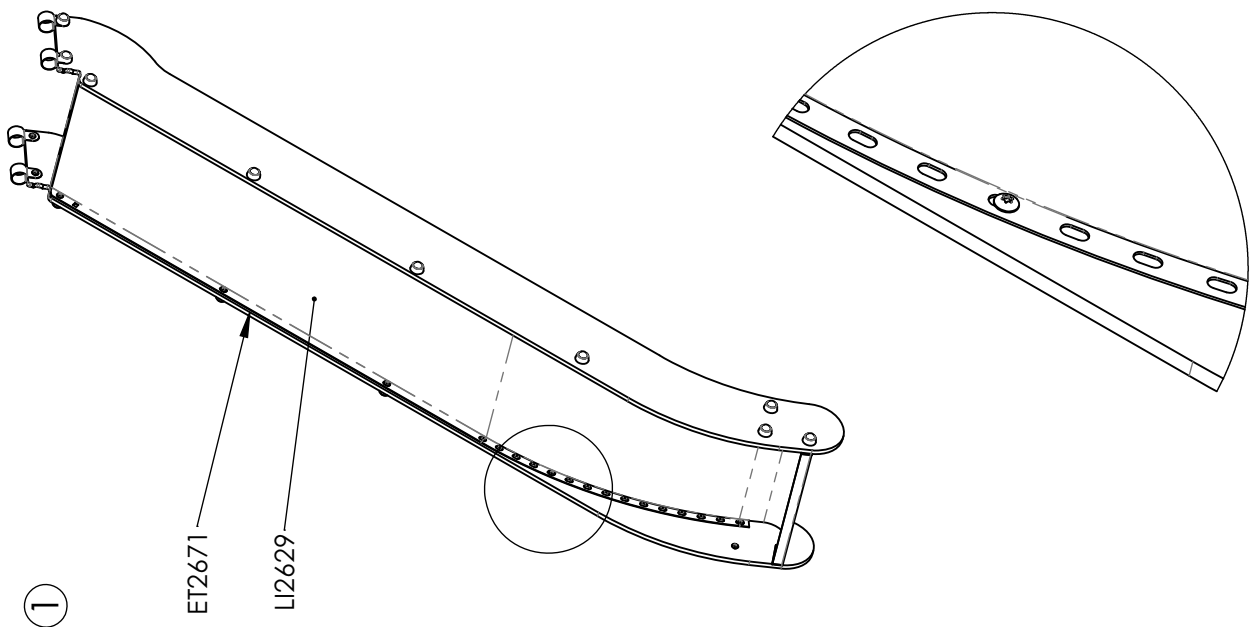
LI4505



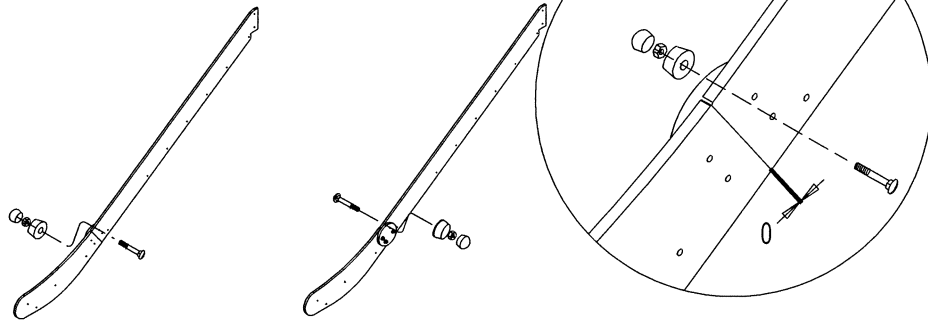
LI9204



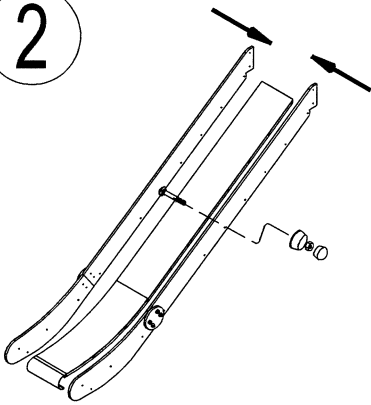
Réf	Qté
ET2671J	2
LI2629	1
LI3838	1
LI9204	1
M10310N	16
M10440N	16
MI2502N	4
VCBHC6M6x25I	8
VCBHC6M10x30I	16
VEFM5	3
VEFM10	16
VEBM6	8
M8310N	3
M8440N	3
LI4505	4
VFHCM5x30	3
VR6x18	3



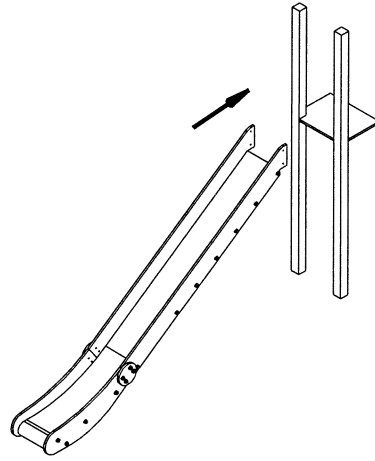
1



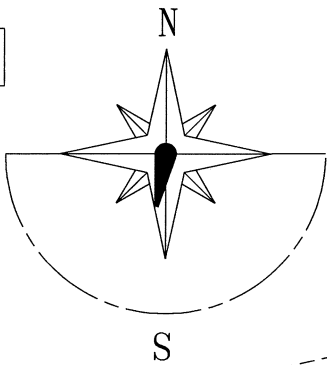
2



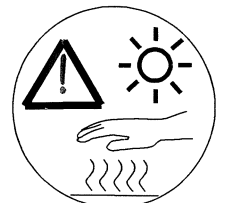
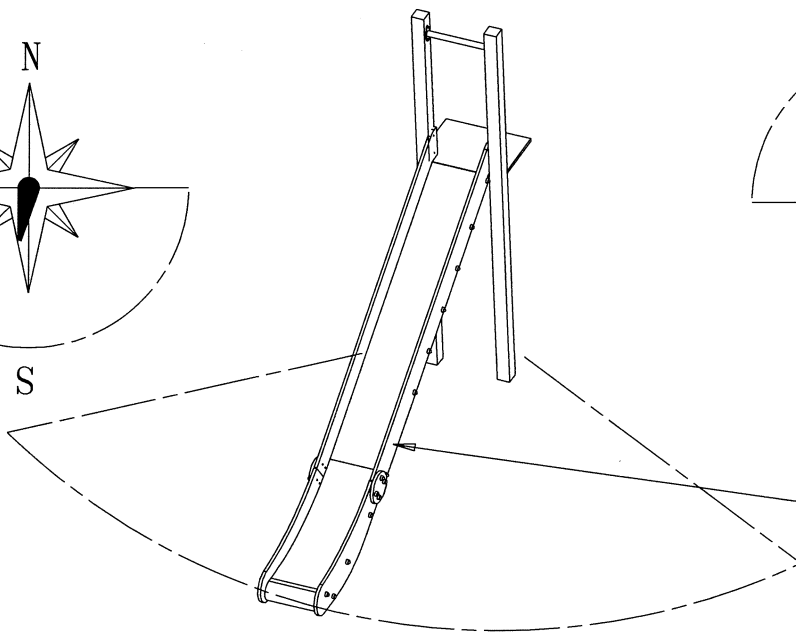
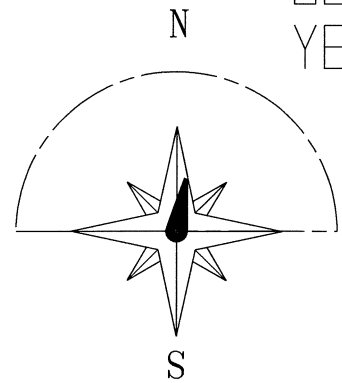
3



NON
NO



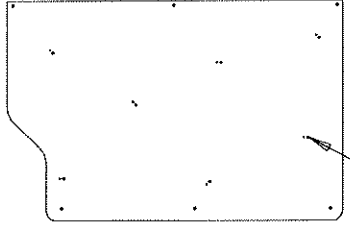
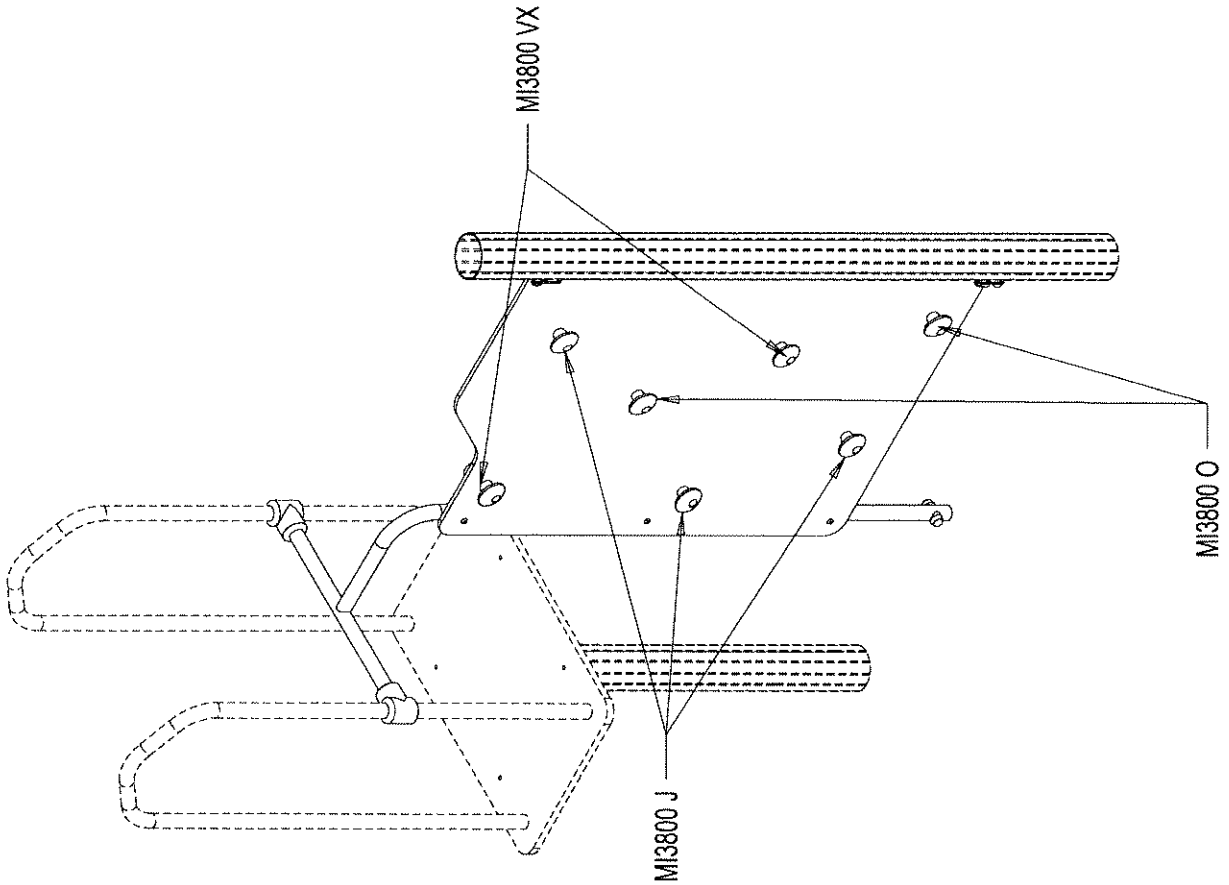
OUI
YES



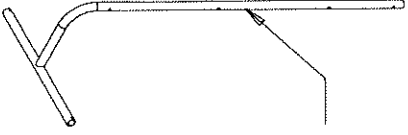
STOBG

FR

Il est recommandé de ne pas orienter la glissière Sud / Sud Ouest

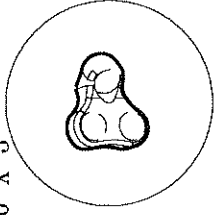


FT3839
x1

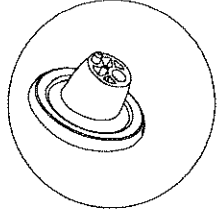


LI3868
x1

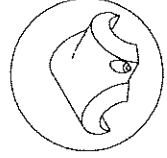
MI14700 X 3



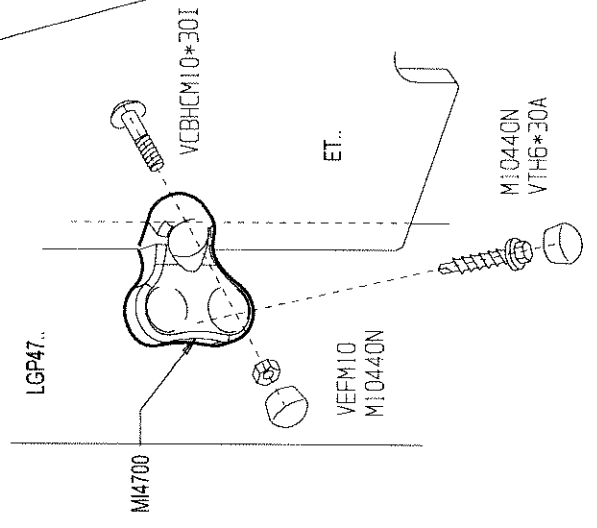
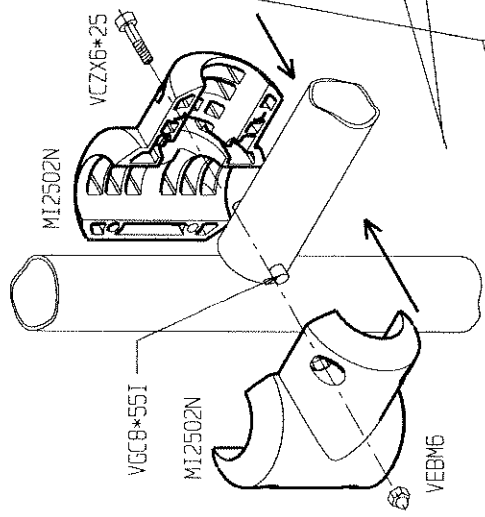
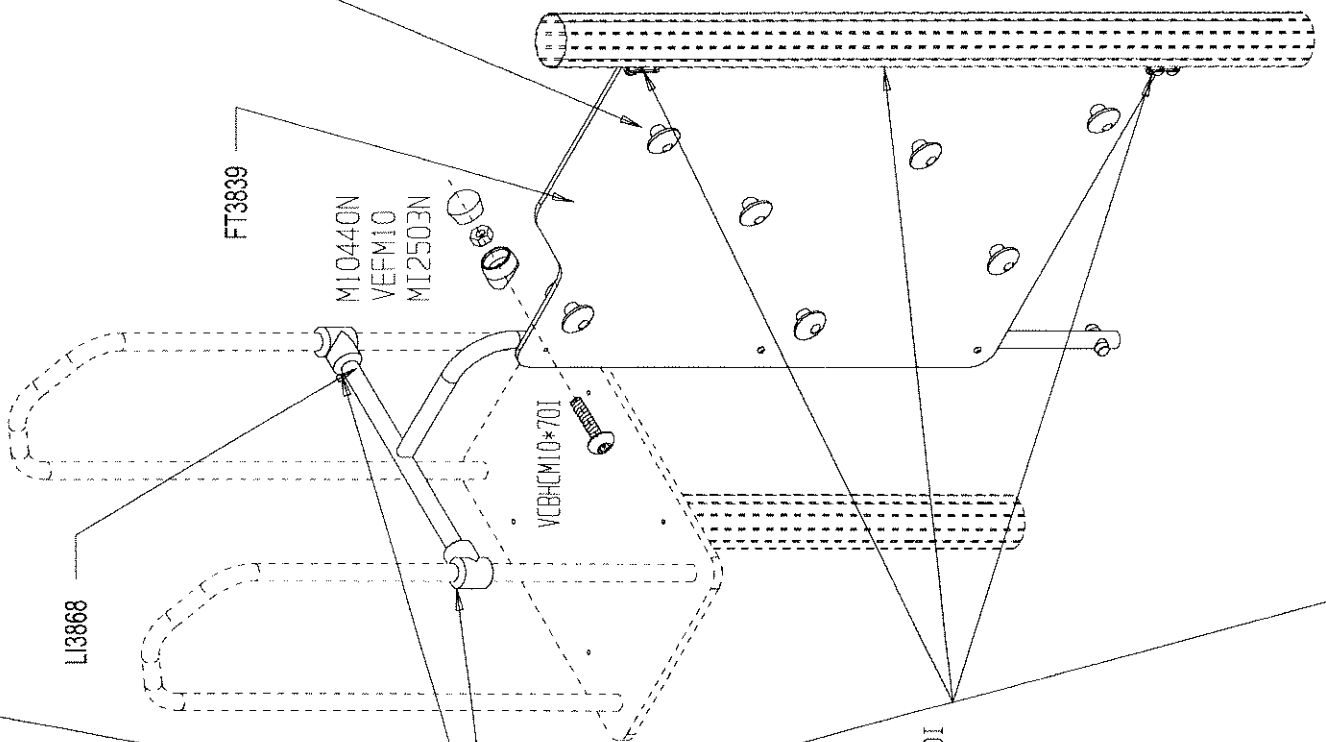
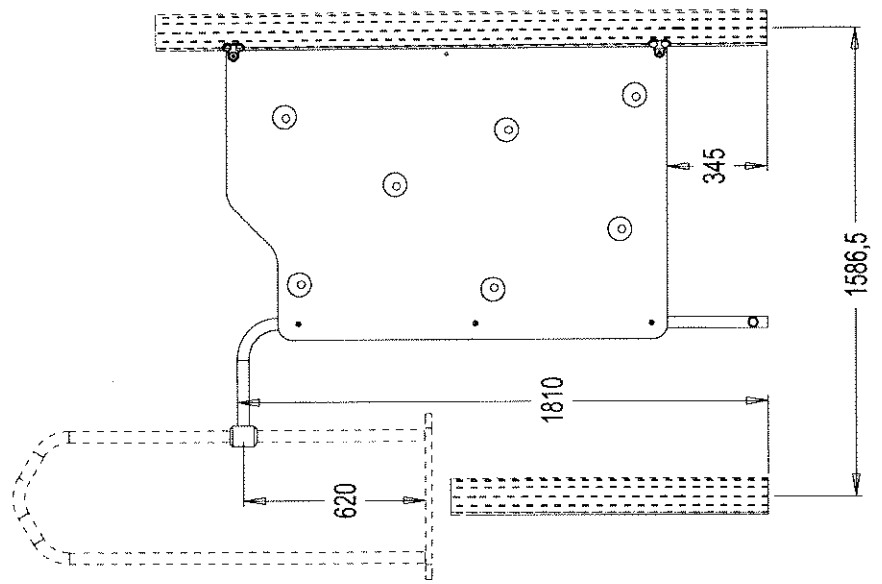
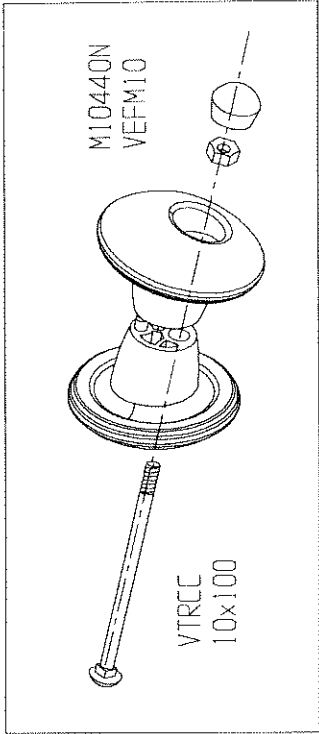
- MI3800 VX X4
- MI3800 J X6
- MI3800 O X4

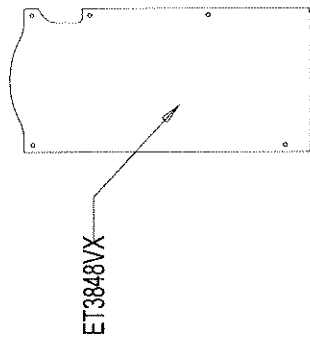


MI2502N x2



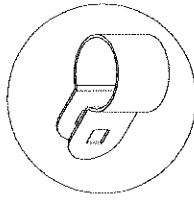
	M2503N	3
	VTH6*30A	6
	VCBHC10*30I	3
	M10310	6
	M10440	26
	VEFM10	13
	VCZX 6x25	8
	VEBM6	8
	VCBHC10*70I	3
	VTRCC10x100	7



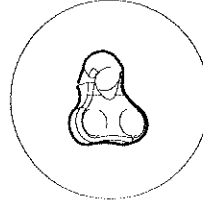


ET3848VX

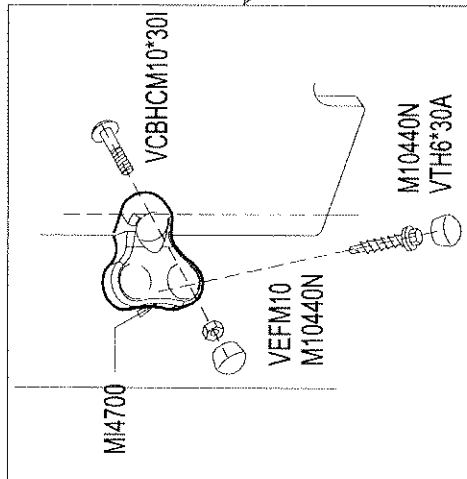
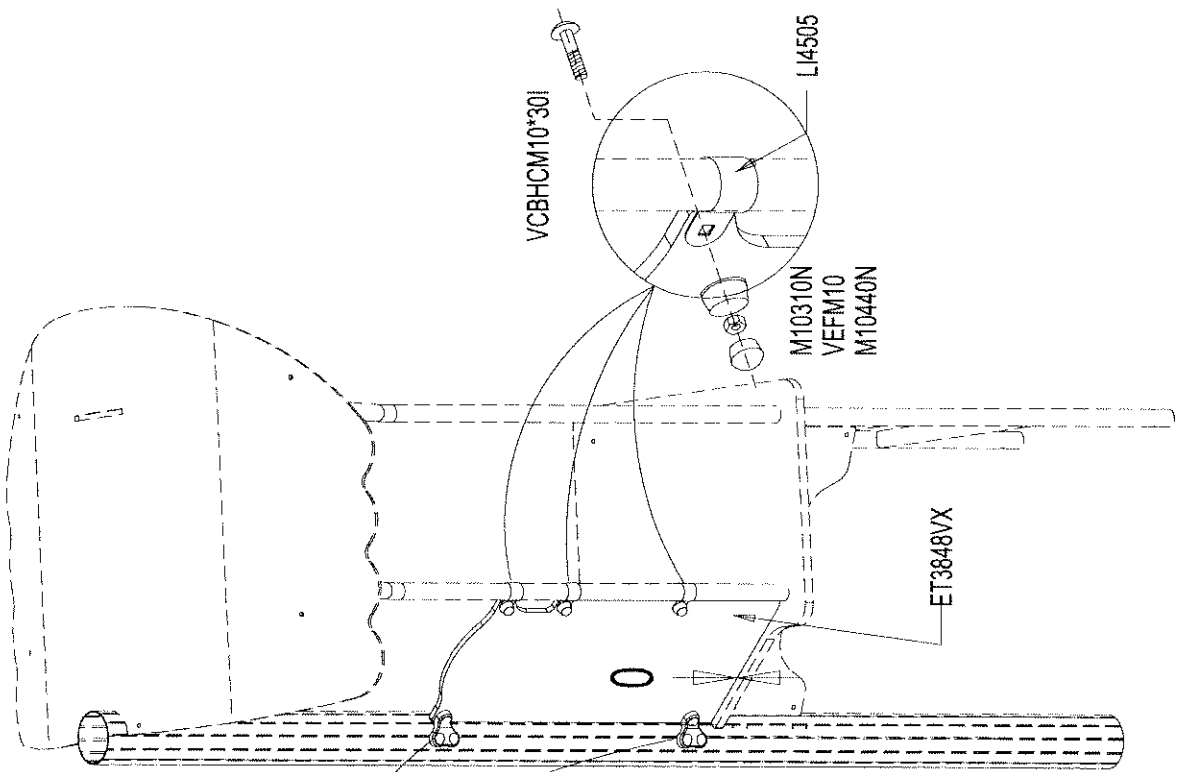
LI4505 x 3

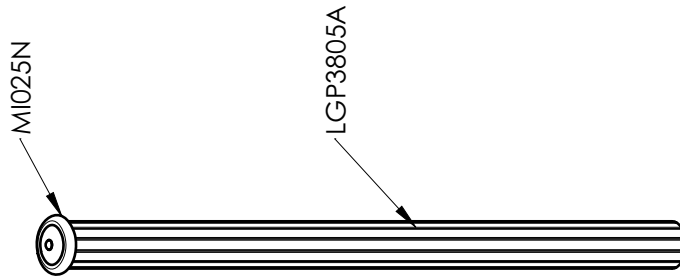
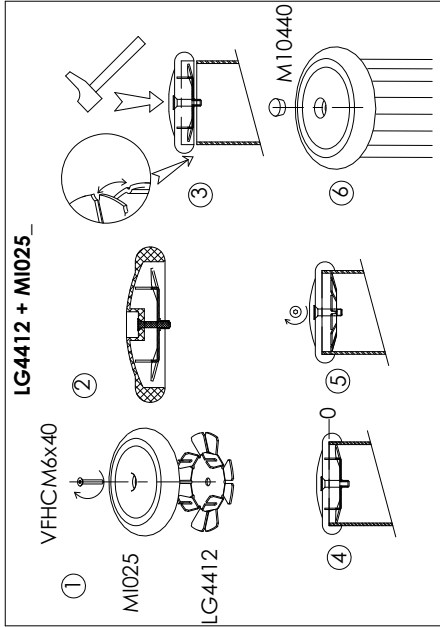


MI4700 X 2

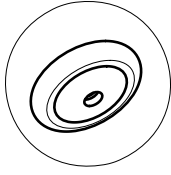


	VTH6*30A	4
	VEFM10	5
	VCBHCM10*30I	5
	M10310N	3
	M10440N	3

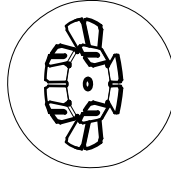




LGP3805A

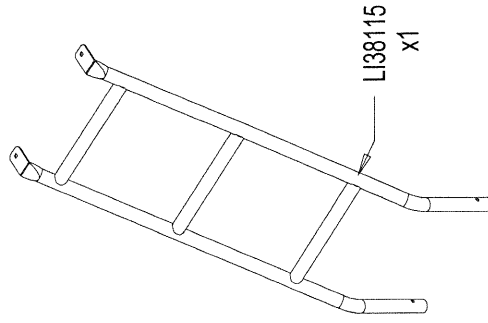
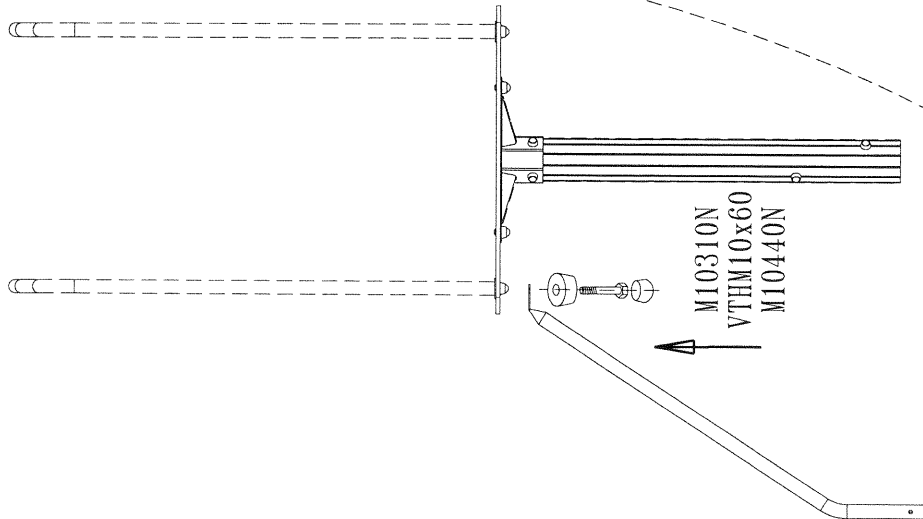
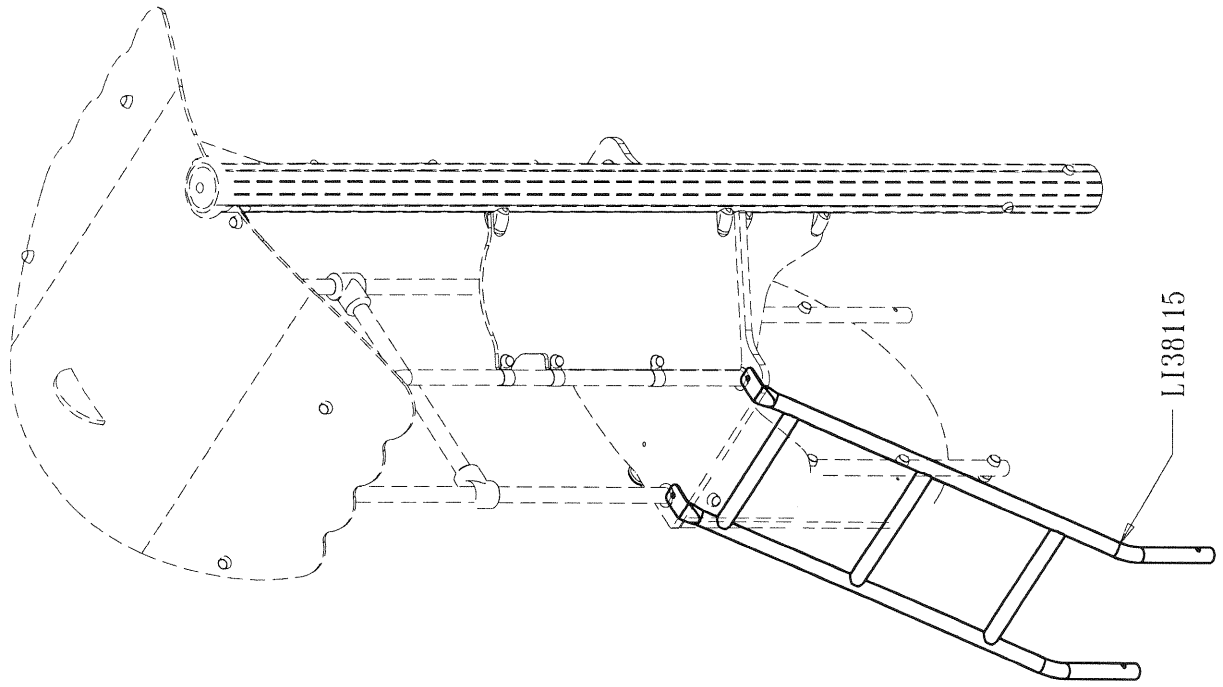





MI025



LG4412

Réf	Qté
LG4412	1
LGP3805A	1
M10440N	1
MI025N	1
VFHCM6x40	1



	VTH 10x60	?
	M10310N	2
	M10440N	2