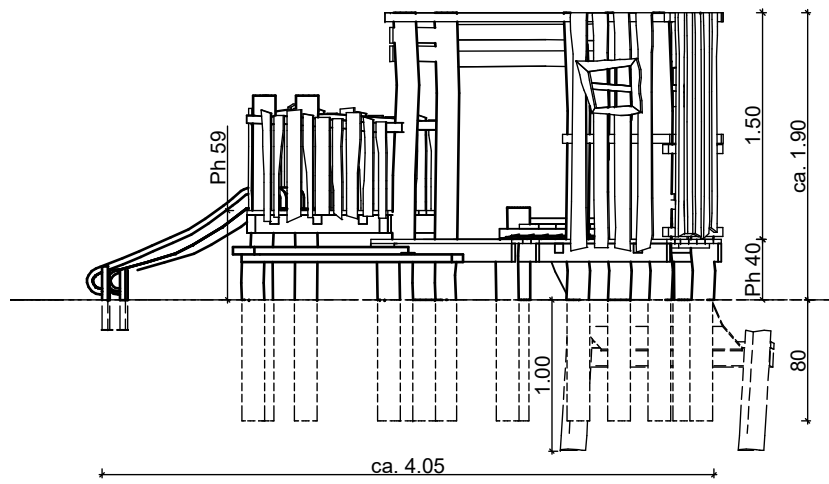


# Multi unit »Little-Karibu«

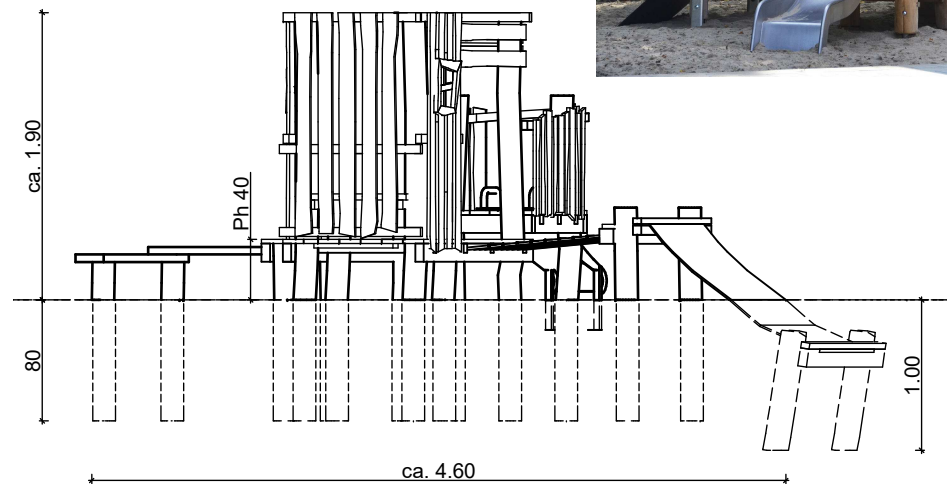
similar multi unit



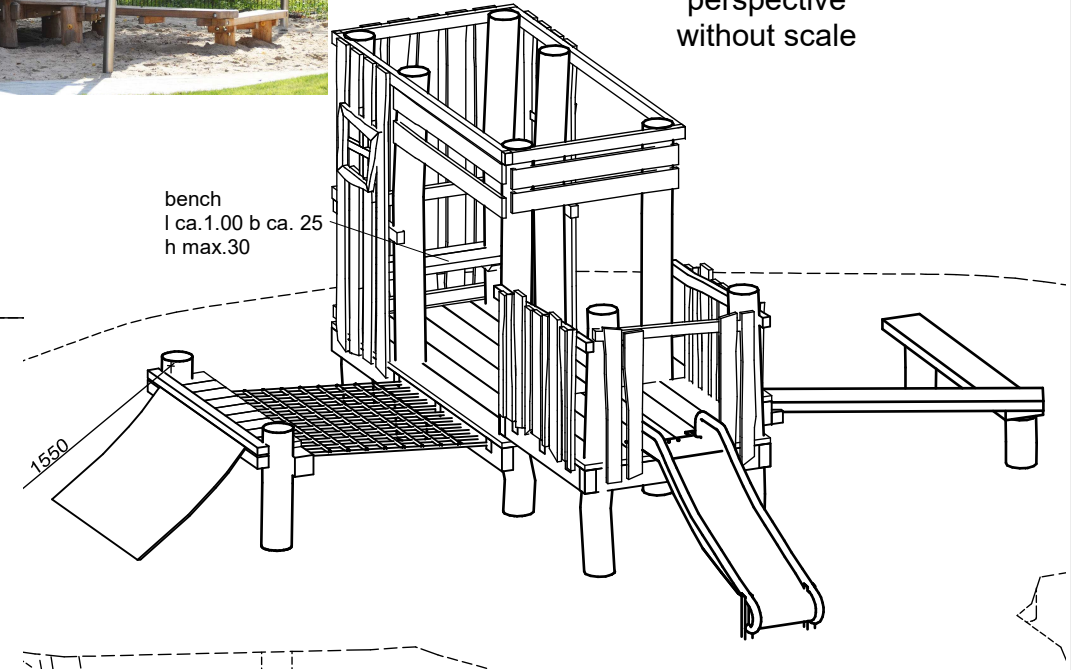
view



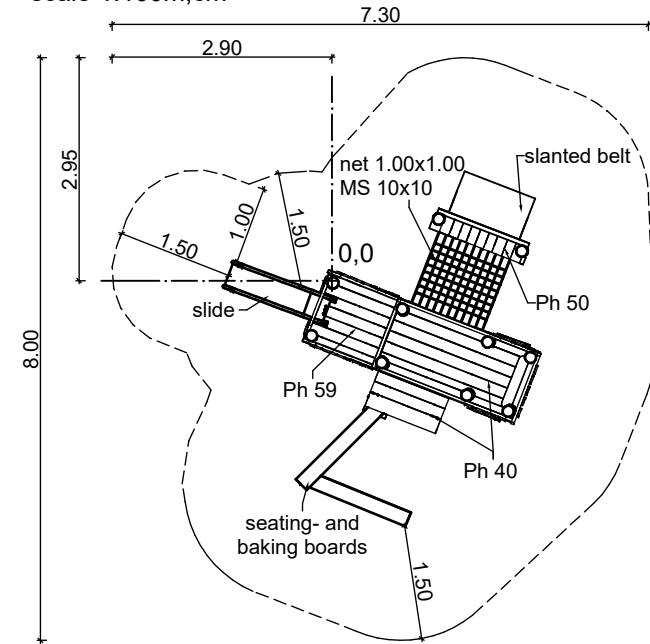
side view



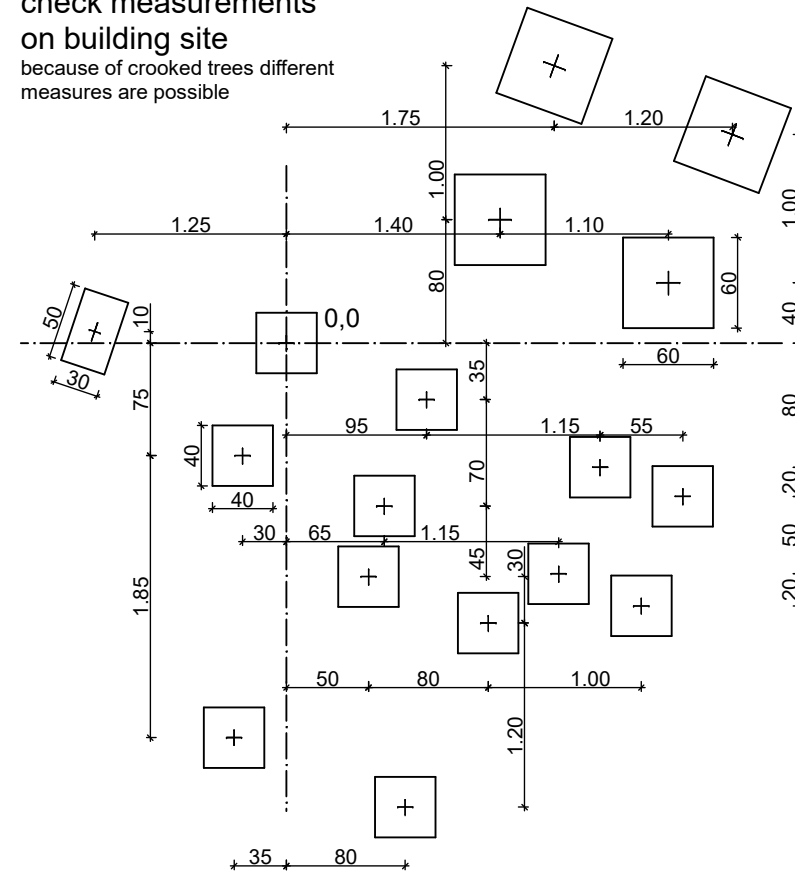
perspective without scale



topview with minimum safety area  
-scale 1:100m,cm-



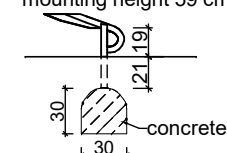
foundation plan  
check measurements  
on building site  
because of crooked trees different  
measures are possible



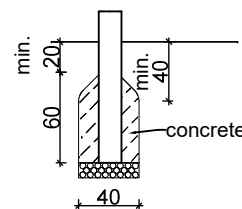
foundation detail  
-without scale-

- minimum soil class III;  
check compression or  
make foundation bigger -

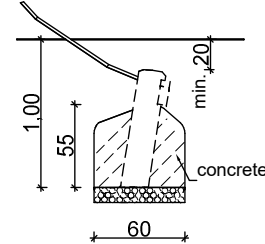
mini slide  
adapted for  
mounting height 59 cm!



pole



slanted belt



similar multi unit



The minimum area must be free of obstacles to/on which the user can during his movement unexpectedly fall or crash. Hard and sharp objects, as well as trip-surfaces count as obstacles.

project:	Multi unit »Little-Karibu«	scale:	A3; 1:100	page:	1/1
address:		date:	10.10.2022	fall height:	max. 0,59m
advisor:		editor:	S. Schellenberg	 Master enterprise of woodcarving handicrafts © SIK-Holzgestaltungs GmbH	
article ID:	5.48	order no.:			
project ID:		drawing type:	assembly		