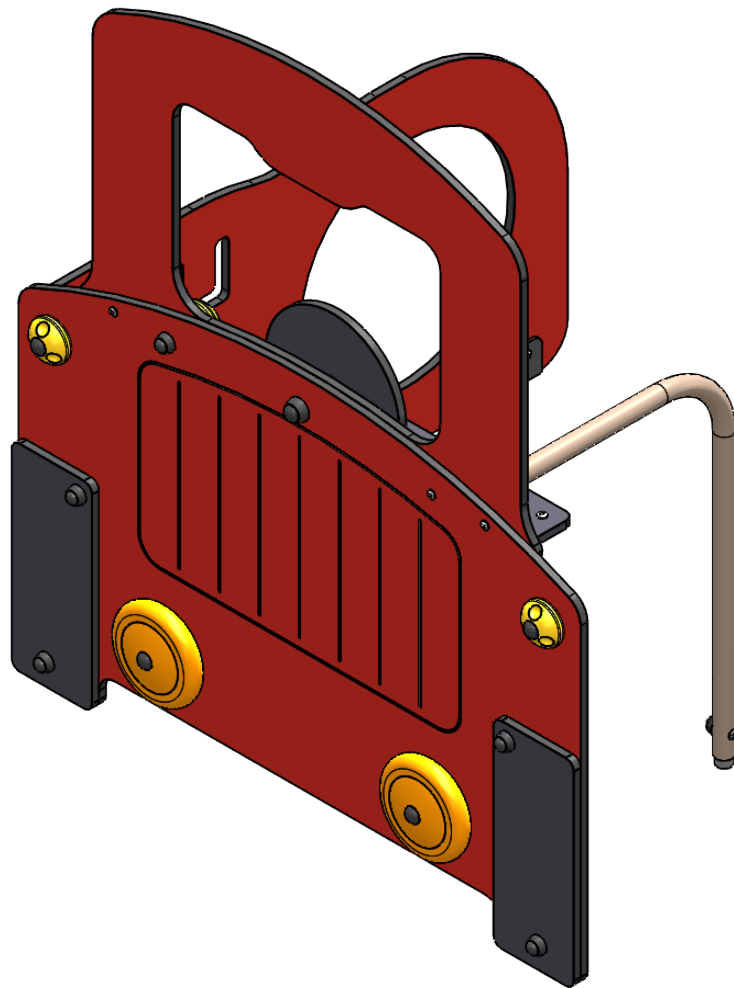
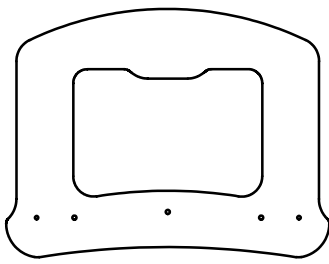


J5834

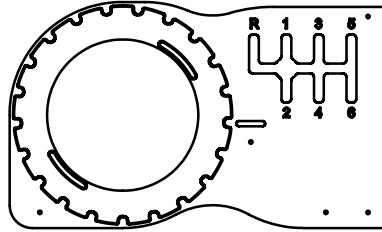
*ProLudic*



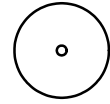
1x  
ET5818RC



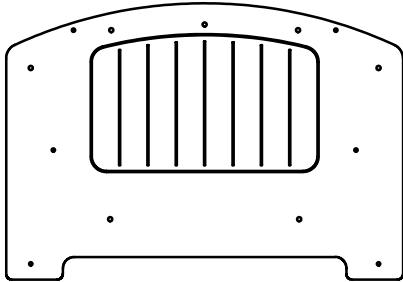
1x  
ET5820RC



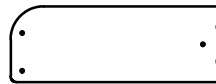
1x  
ET5822GA



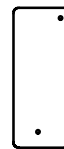
1x  
ET5817RC



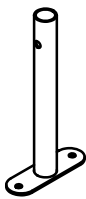
1x  
ET5821GA



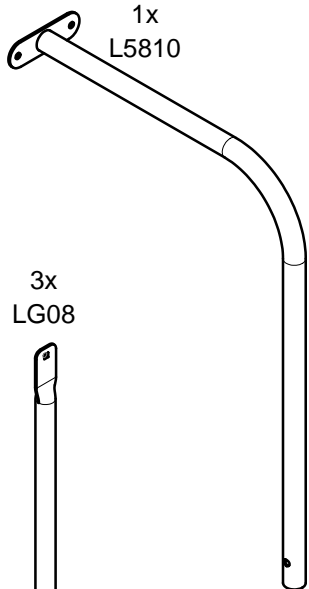
2x  
ET5819GA



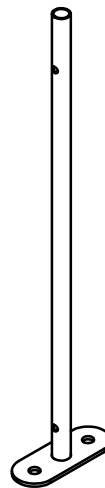
1x  
L5811



1x  
L5810



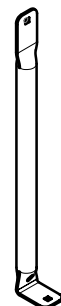
2x  
LG5803



3x  
P13



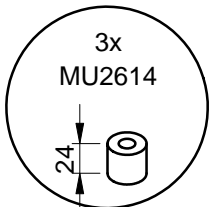
3x  
LG08



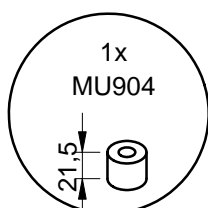
2x  
MU0250



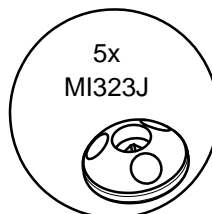
3x  
MU2614



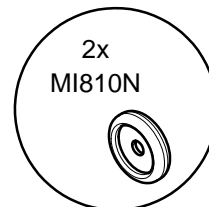
1x  
MU904



5x  
MI323J



2x  
MI810N



LA000	1
M8310N	18
M8440N	18
M10310N	4
M10440N	9
MI0002	1
VCBHCM8x30I	8
VCBHCM8x40I	11
VCBHCM8x50I	2
VCBHCM8x60I	1
VEFM8	23
VEFM10	1
VTH8x80	1
VTH10x100	1



N°		
1	<0.6 m	14 m <sup>2</sup>

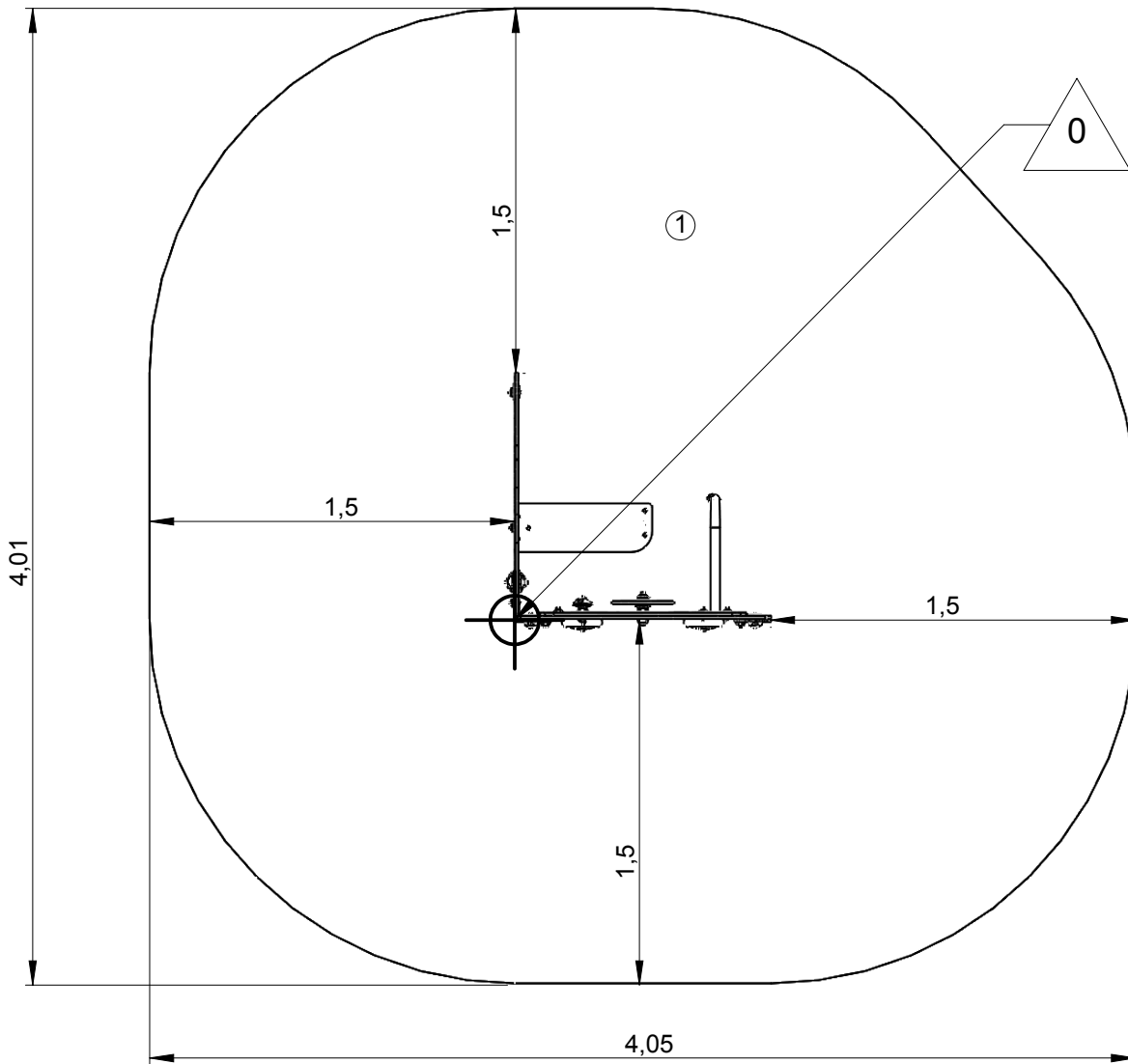
— Zone d'impact  
Impact area  
Area de impacto  
Fallraum  
Valzone

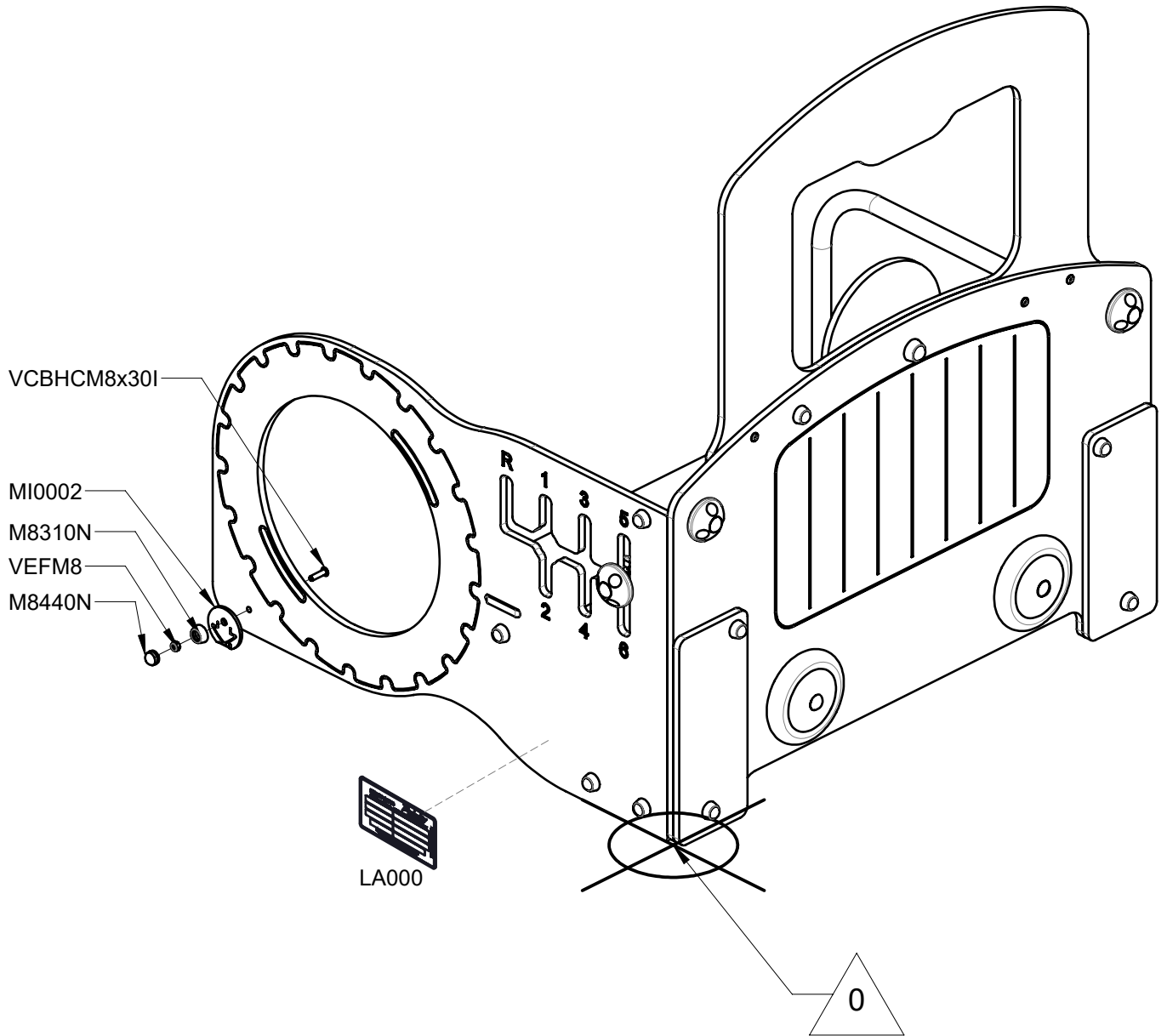


Point de référence  
Setting out point  
Punto de referencia  
Bezugspunkt  
Referentiepunt

- - - Espace libre  
Free space  
Espacio libre  
Freiraum  
Vrije ruimte

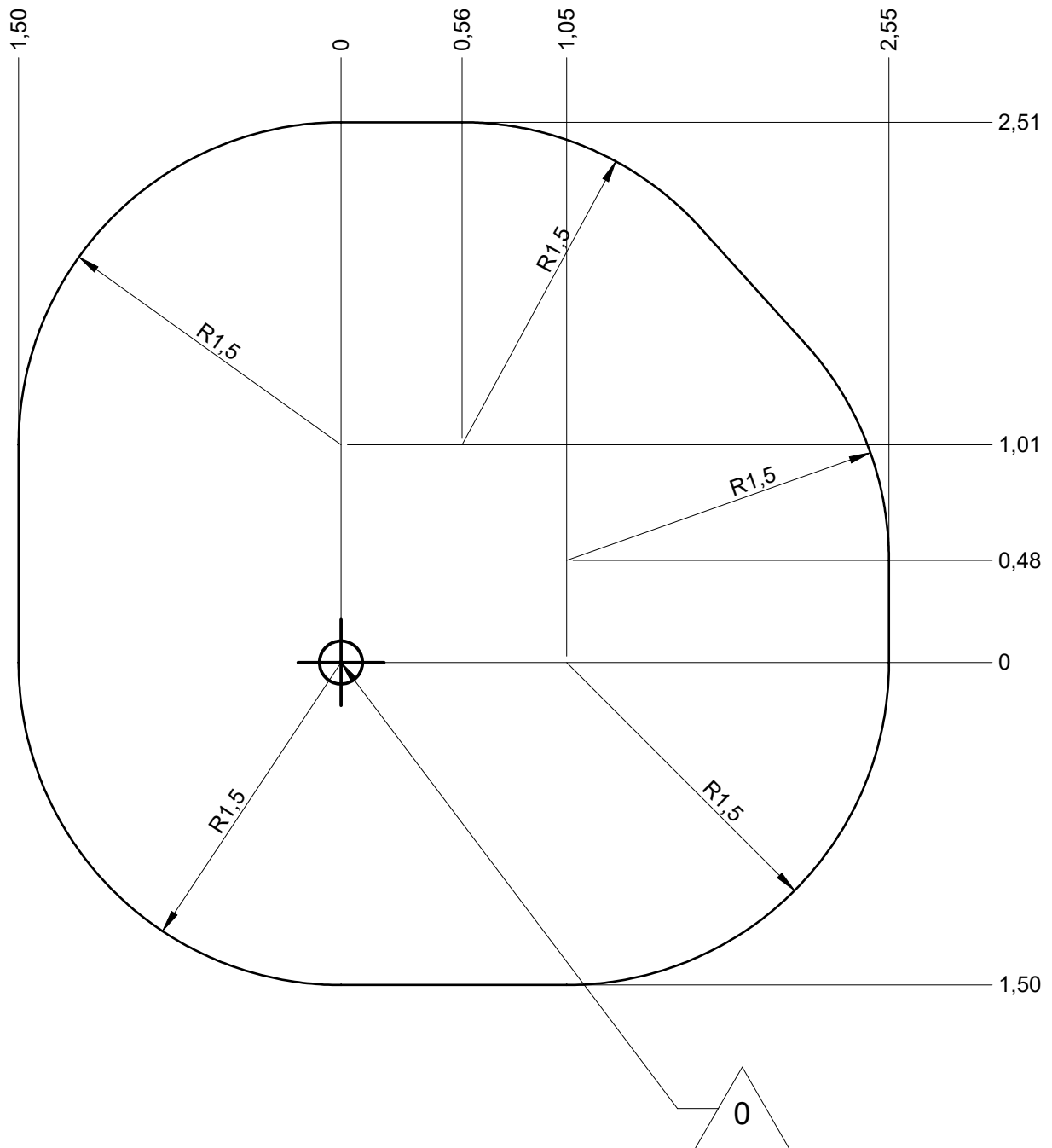
EN1176-1:2017





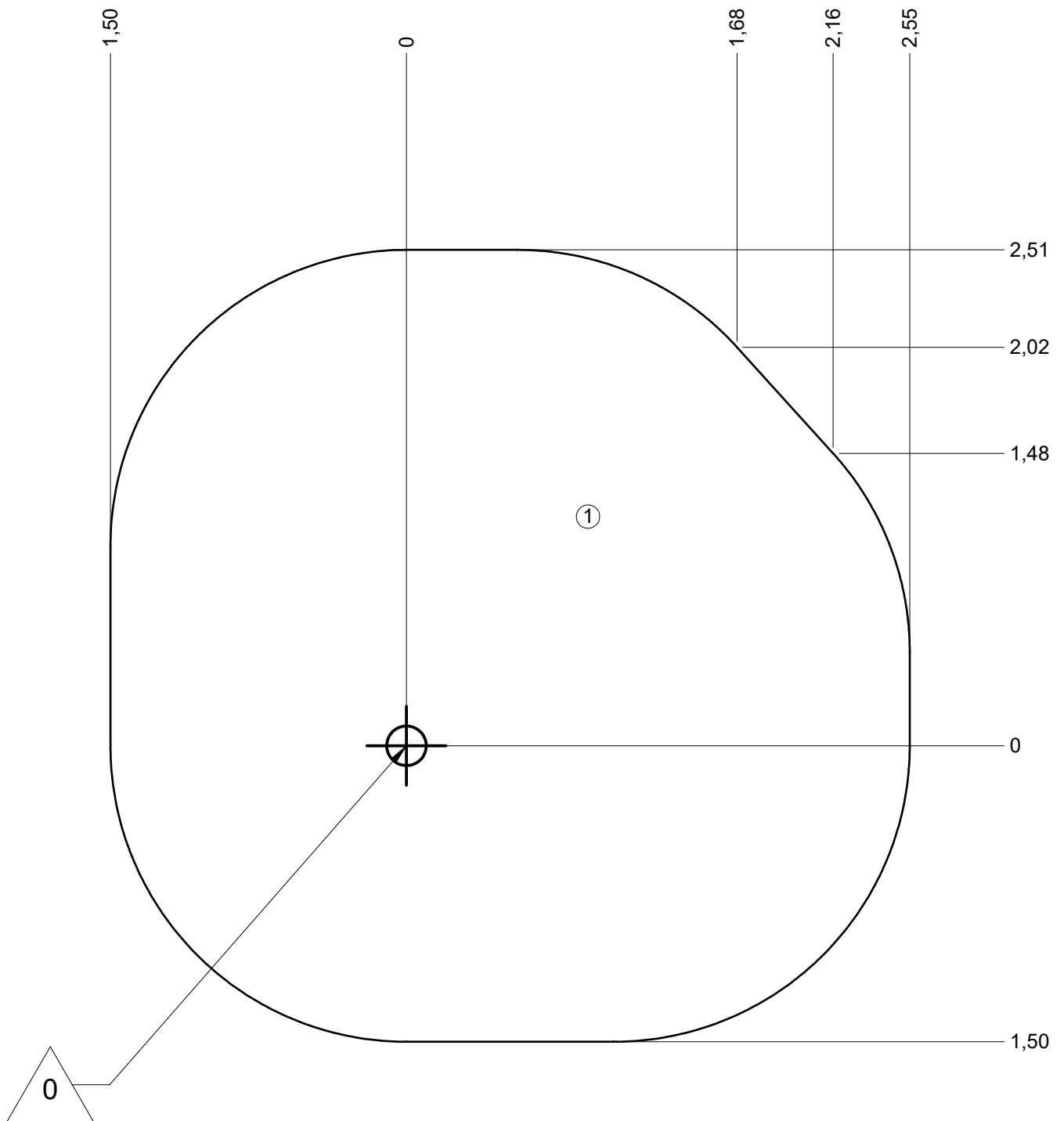
— Zone d'impact  
Impact area  
Area de impacto  
Fallraum  
Valzone

14 m<sup>2</sup>



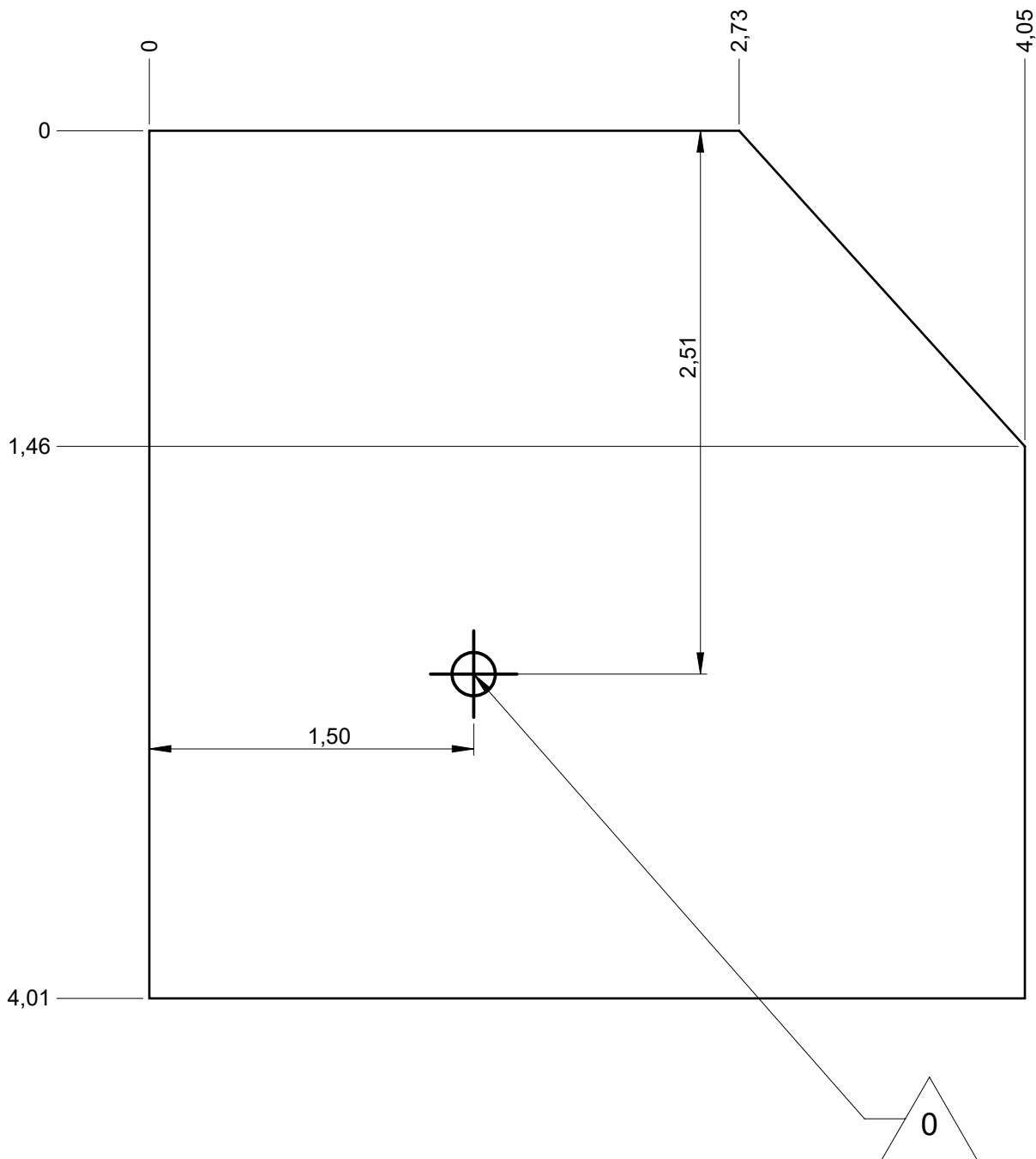
— Sol souple  
 Wetpour  
 Caucho continuo  
 Synthetischer Fallschutz  
 Gietvloer

**14 m<sup>2</sup>**



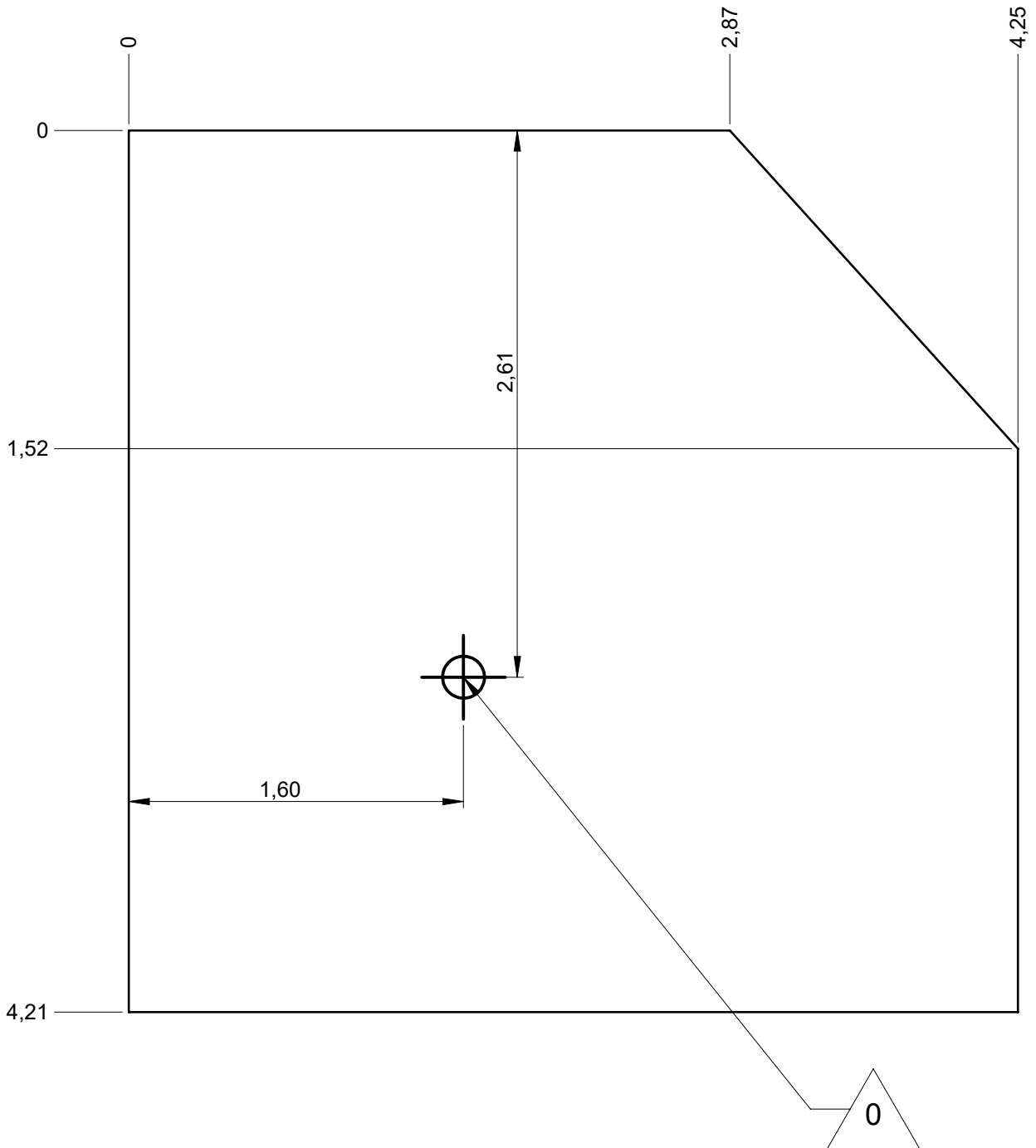
— Dalle béton  
Concrete pad  
Solera de hormigon  
Beton Bodenplatte  
Betonnen bodemplaat

15.5 m  
15.5 m<sup>2</sup>

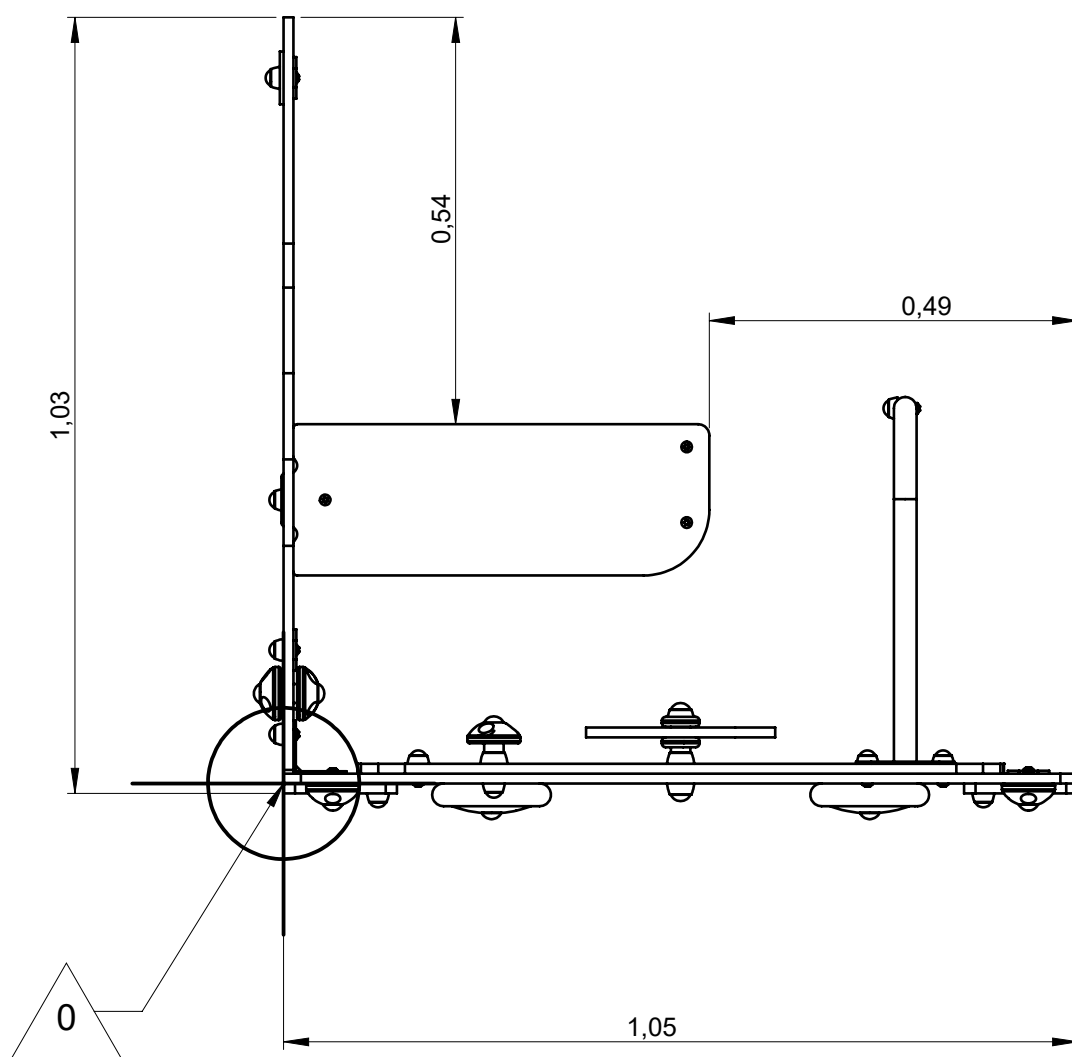


— Sol fluent  
Loos partucule material  
Arenero  
Loses Bodenmaterial  
Los bodemmateriaal

**16 m**  
**17 m<sup>2</sup>**



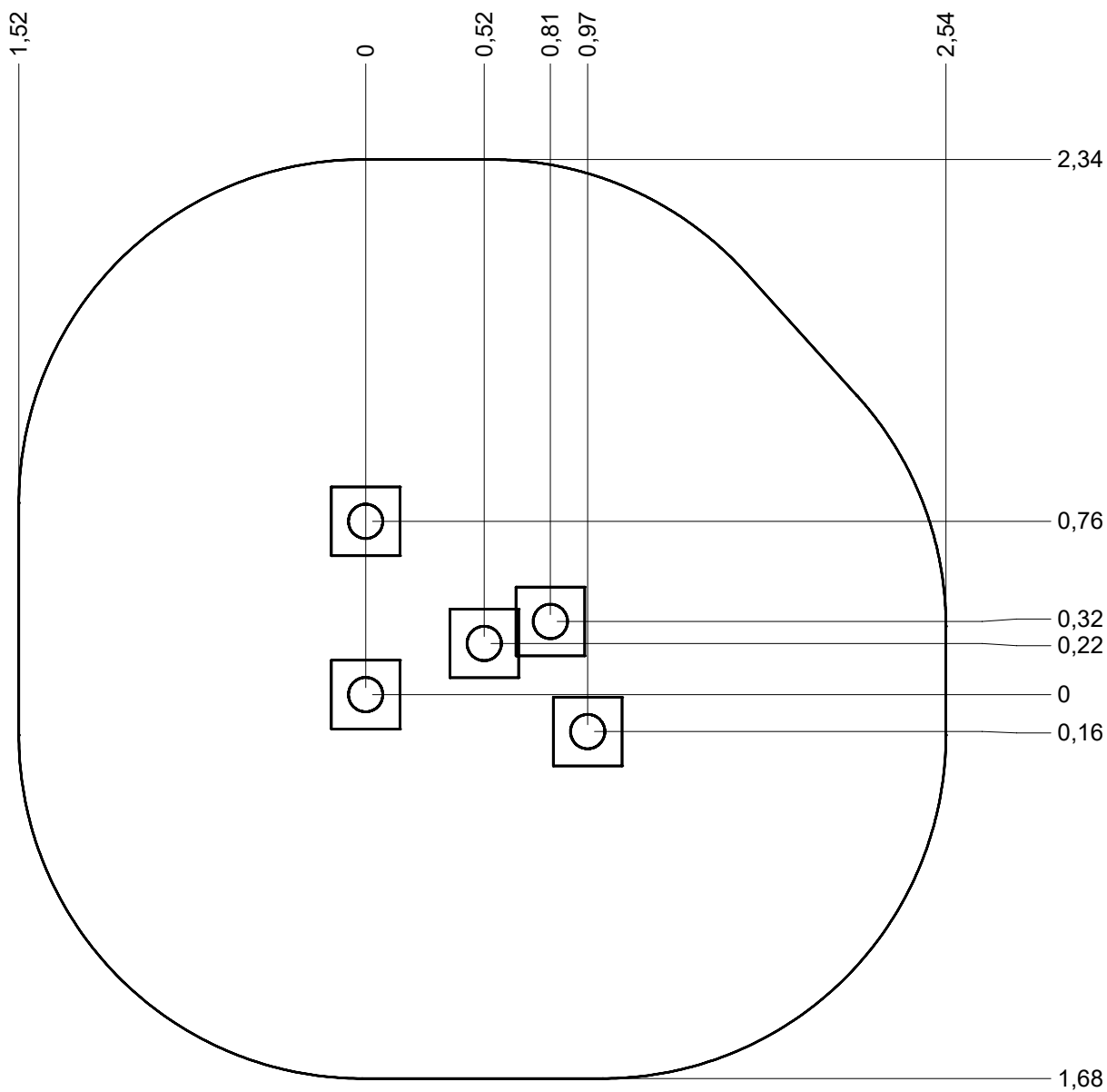




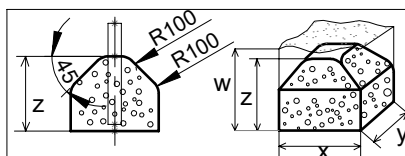
# J5834A






Implantation  
 Footing plan  
 Implantación  
 Fundamentplan  
 Funderingstekening



 x2  
 3H  
 0.15 m<sup>3</sup>

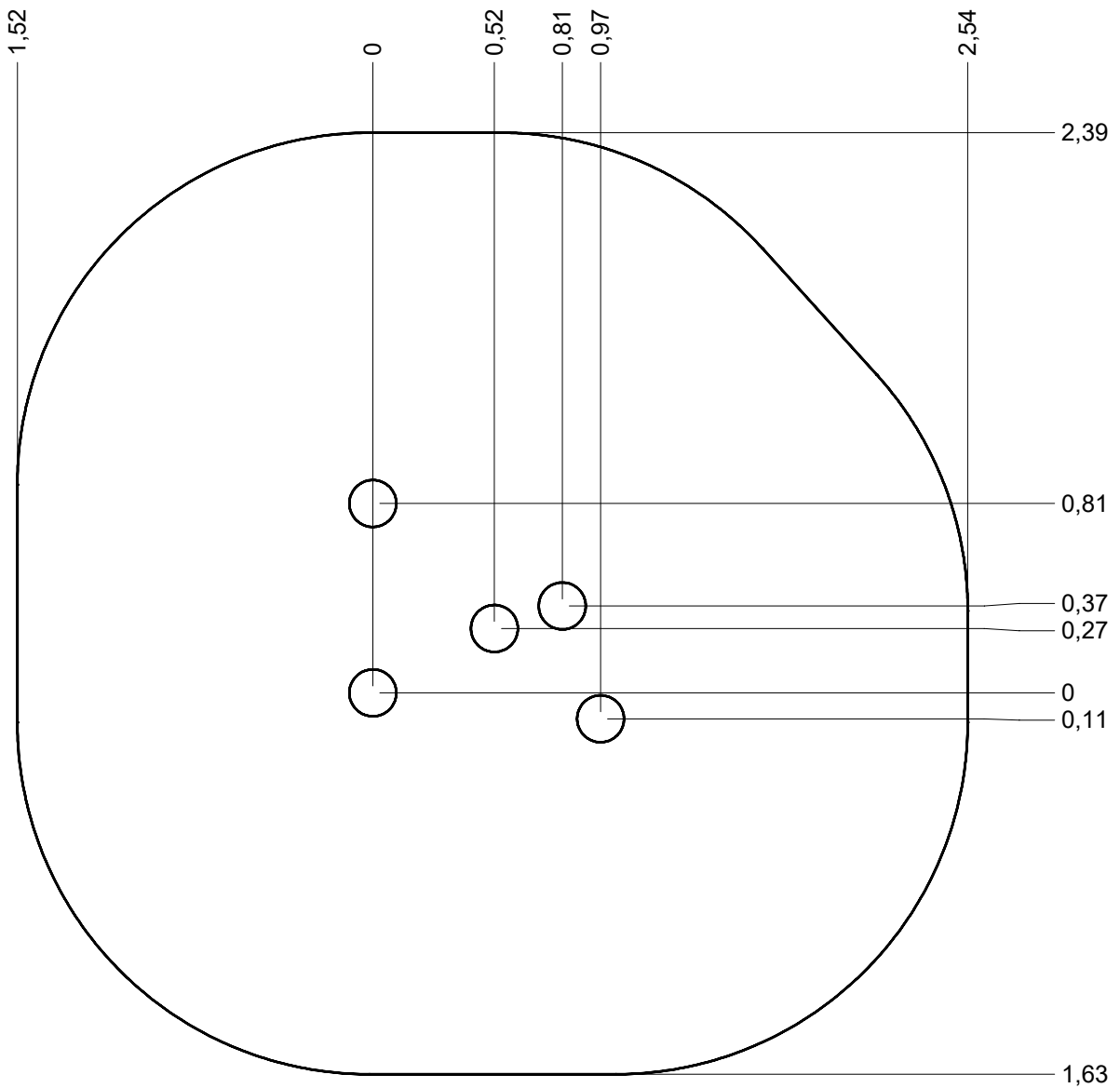


	x	y	z	w
	0.3	0.3	0.3	0.6
	0.4	0.4	0.3	0.6
	0.6	0.3	0.3	0.6

# J5834B



Implantation  
Footing plan  
Implantación  
Fundamentplan  
Funderingstekening



x2

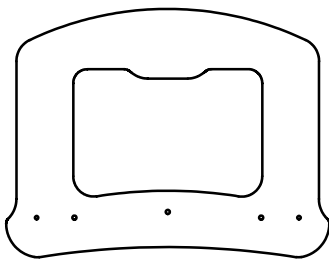


3H

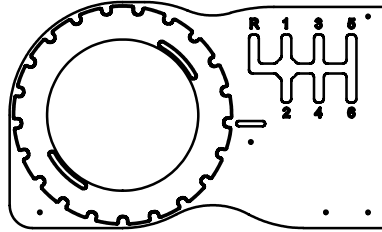
RD14M10



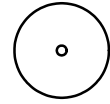
1x  
ET5818RC



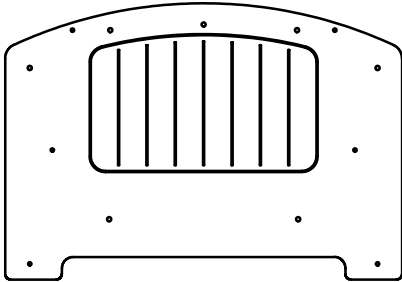
1x  
ET5820RC



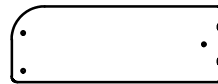
1x  
ET5822GA



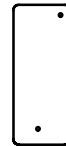
1x  
ET5817RC



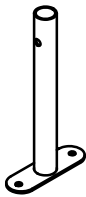
1x  
ET5821GA



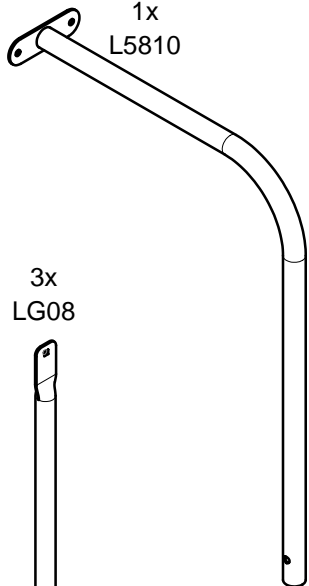
2x  
ET5819GA



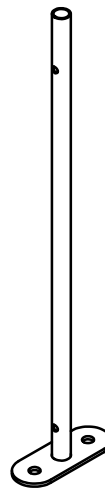
1x  
L5811



1x  
L5810



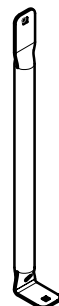
2x  
LG5803



3x  
P13



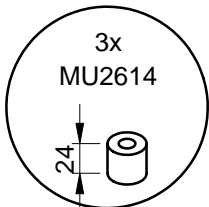
3x  
LG08



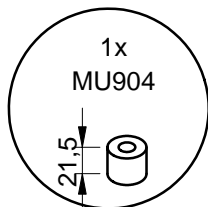
2x  
MU0250



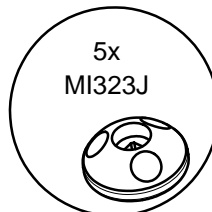
3x  
MU2614



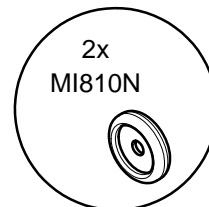
1x  
MU904



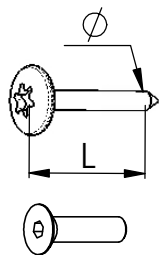
5x  
MI323J



2x  
MI810N

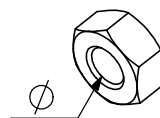


LA000	1
M8310N	18
M8440N	18
M10310N	4
M10440N	9
MI0002	1
VCBHCM8x30I	8
VCBHCM8x40I	11
VCBHCM8x50I	2
VCBHCM8x60I	1
VEFM8	23
VEFM10	1
VTH8x80	1
VTH10x100	1



VBT 6 x 30  
 $\varnothing$  L (mm)

VFHC



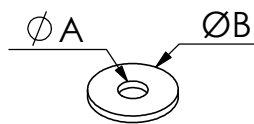
VEC M10  
 $\varnothing$



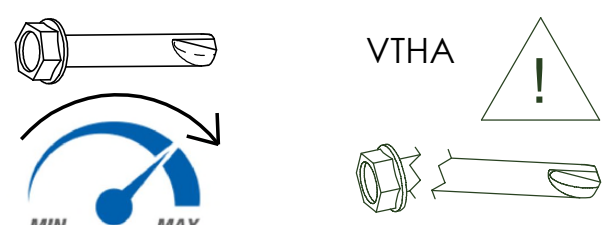
VEF



VEB



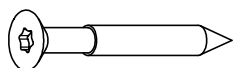
VR6x18  
 $\varnothing A$   $\varnothing B$



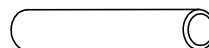
**VTHA**

**1000 - 1800 RPM**  
 Vitesse de rotation  
 Rotation speed

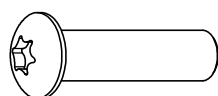
**< 14 N.m**  
 Couple de rupture  
 Breakage torque



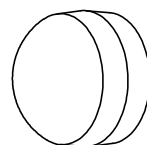
VWT



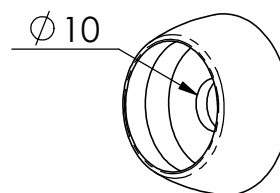
VGC



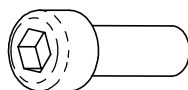
VCBHC



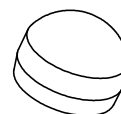
M10 440N



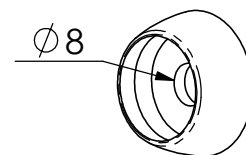
M10 310 N



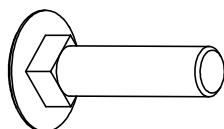
VBTR



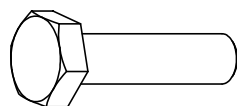
M8440N



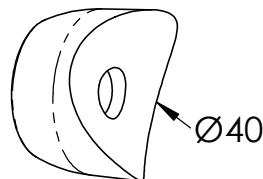
M8310N



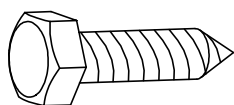
VTRCC



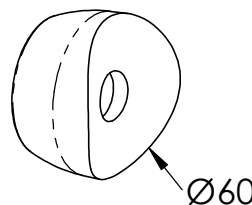
VTH



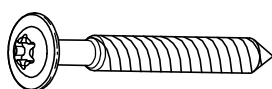
MI2503



VTF

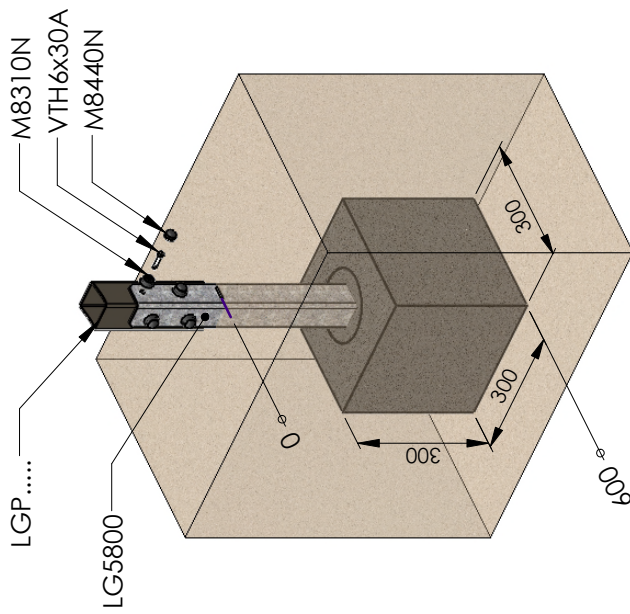


MI2701

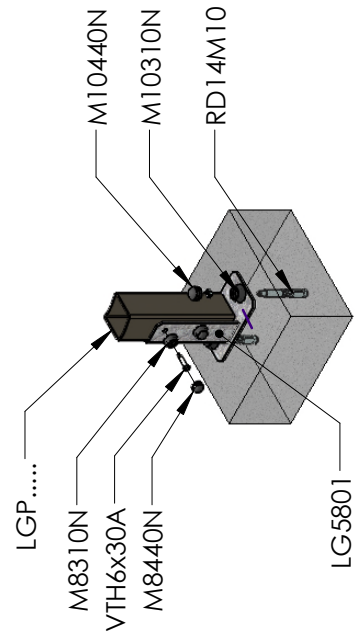


VBT

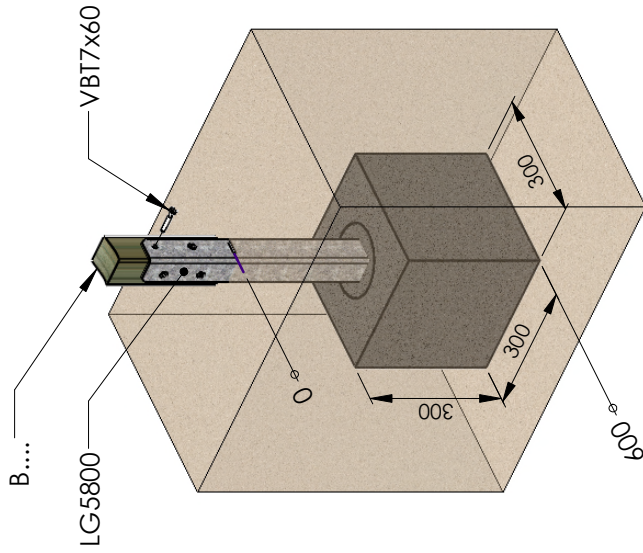
### LGP.... A



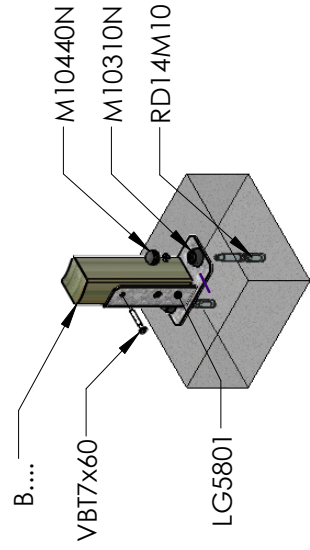
### LGP.... B



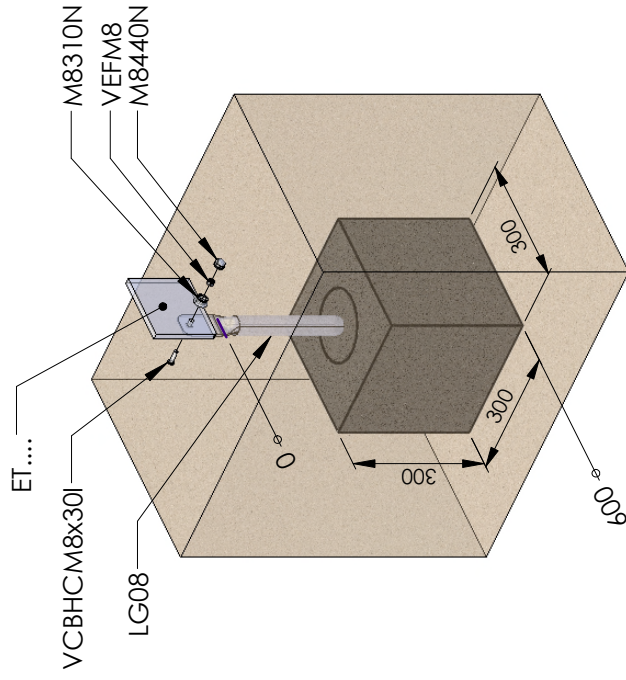
### B.... A



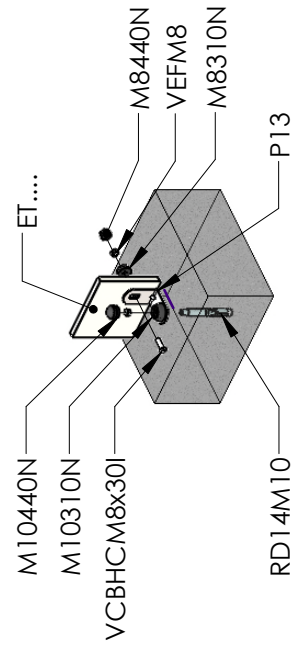
### B.... B



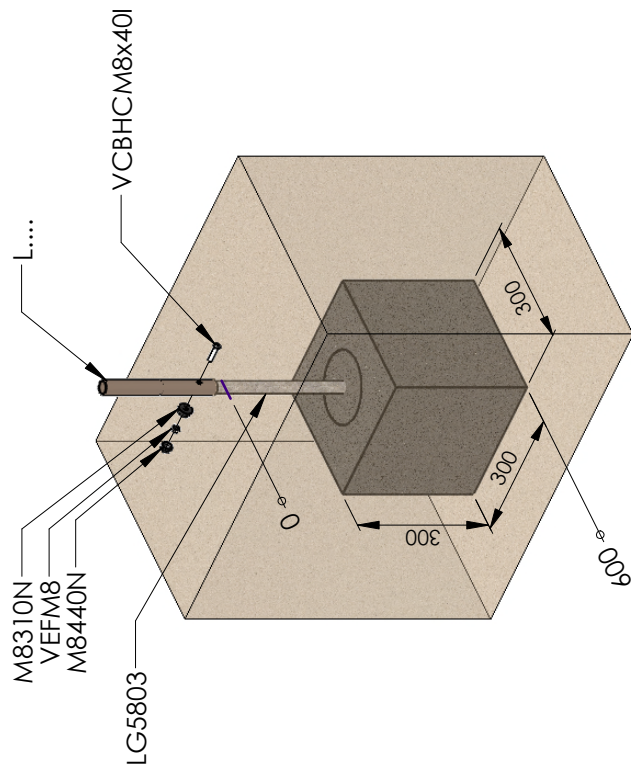
### ET.... A



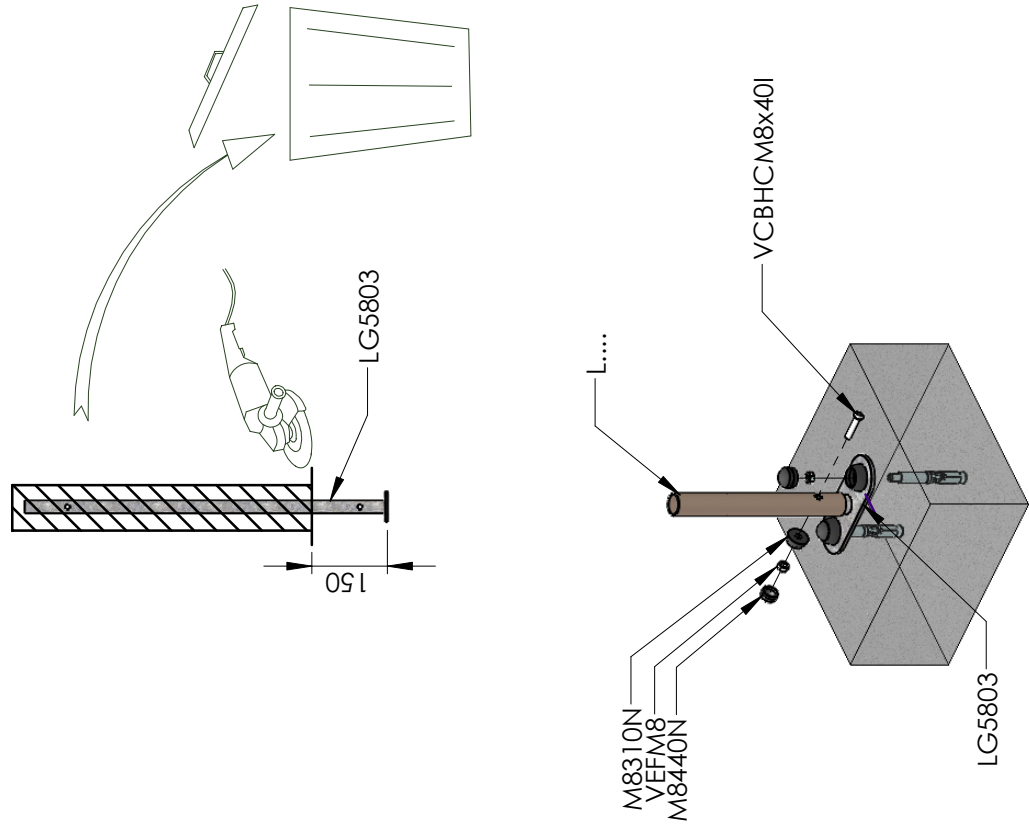
### ET.... B



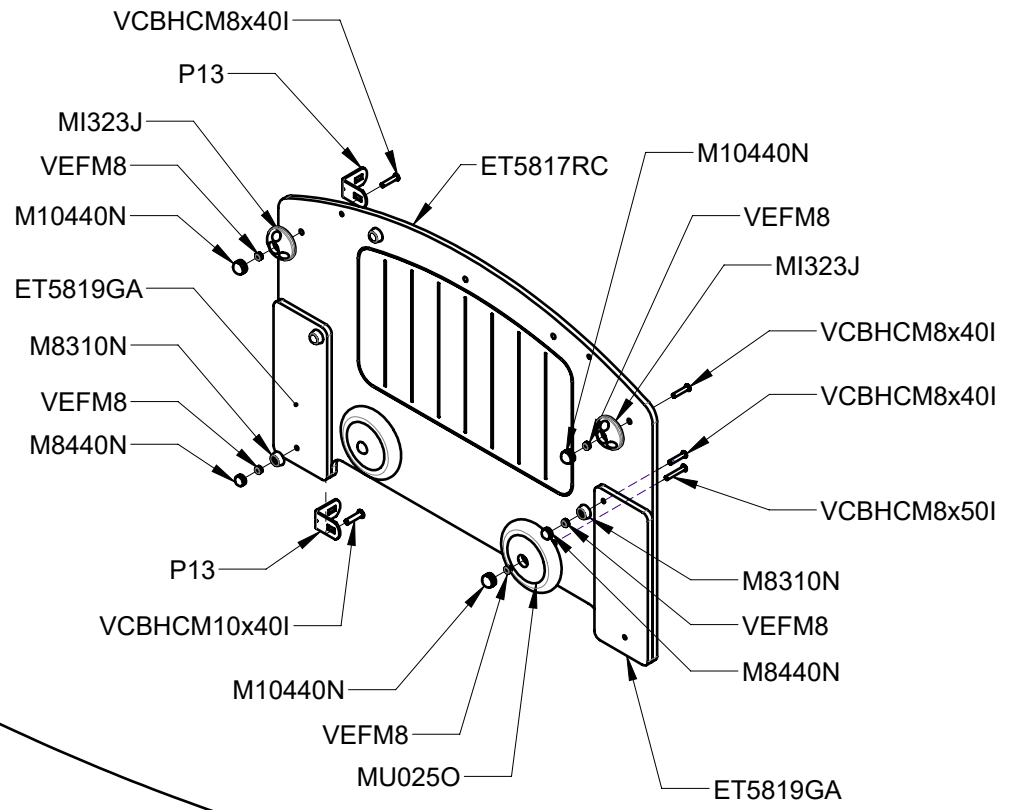
L.... A



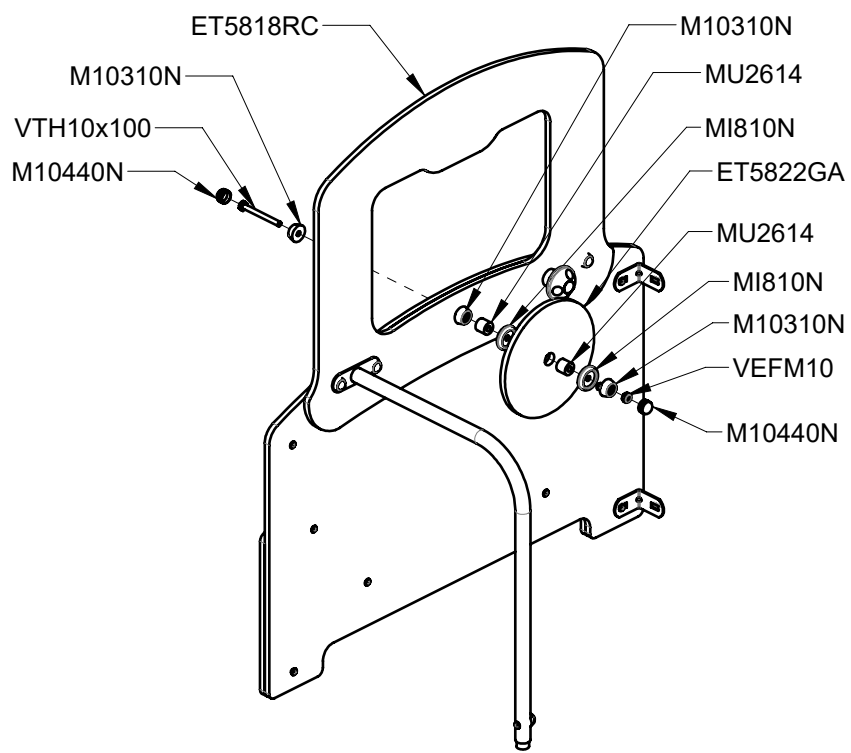
L.... B



1

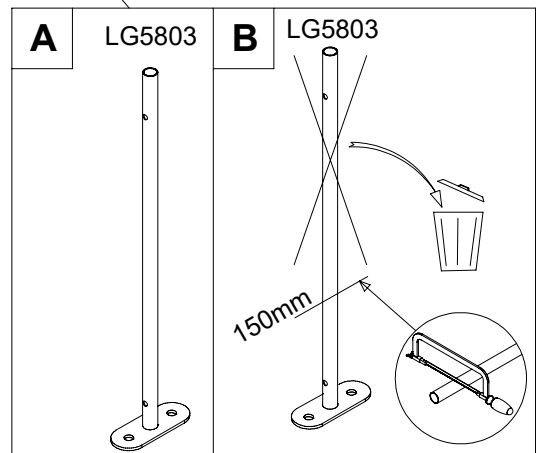
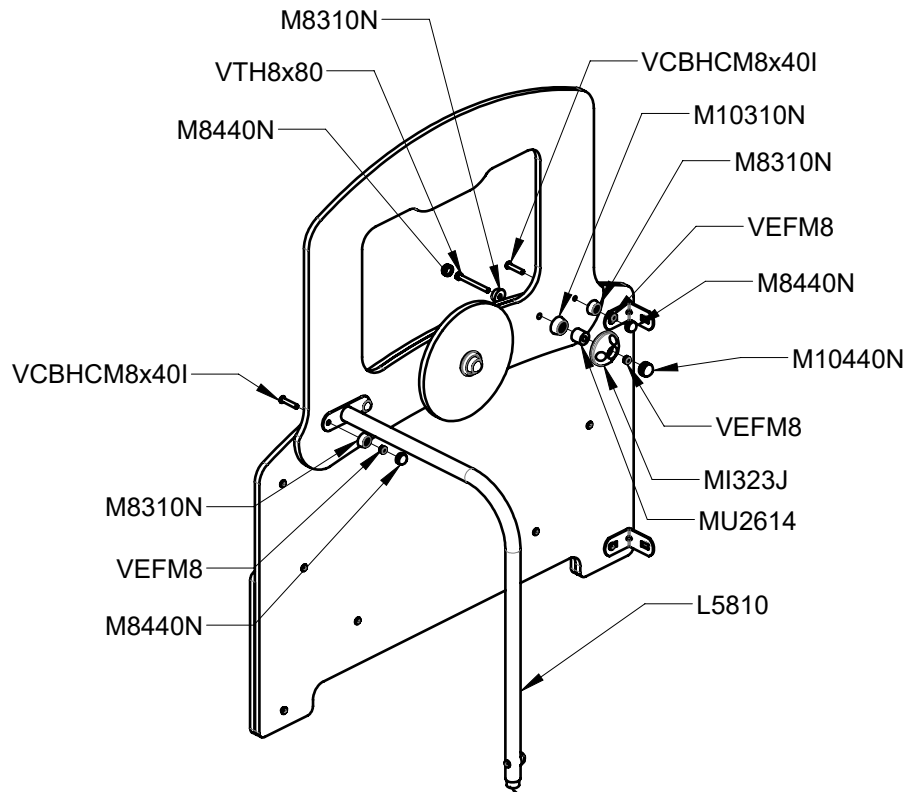


2

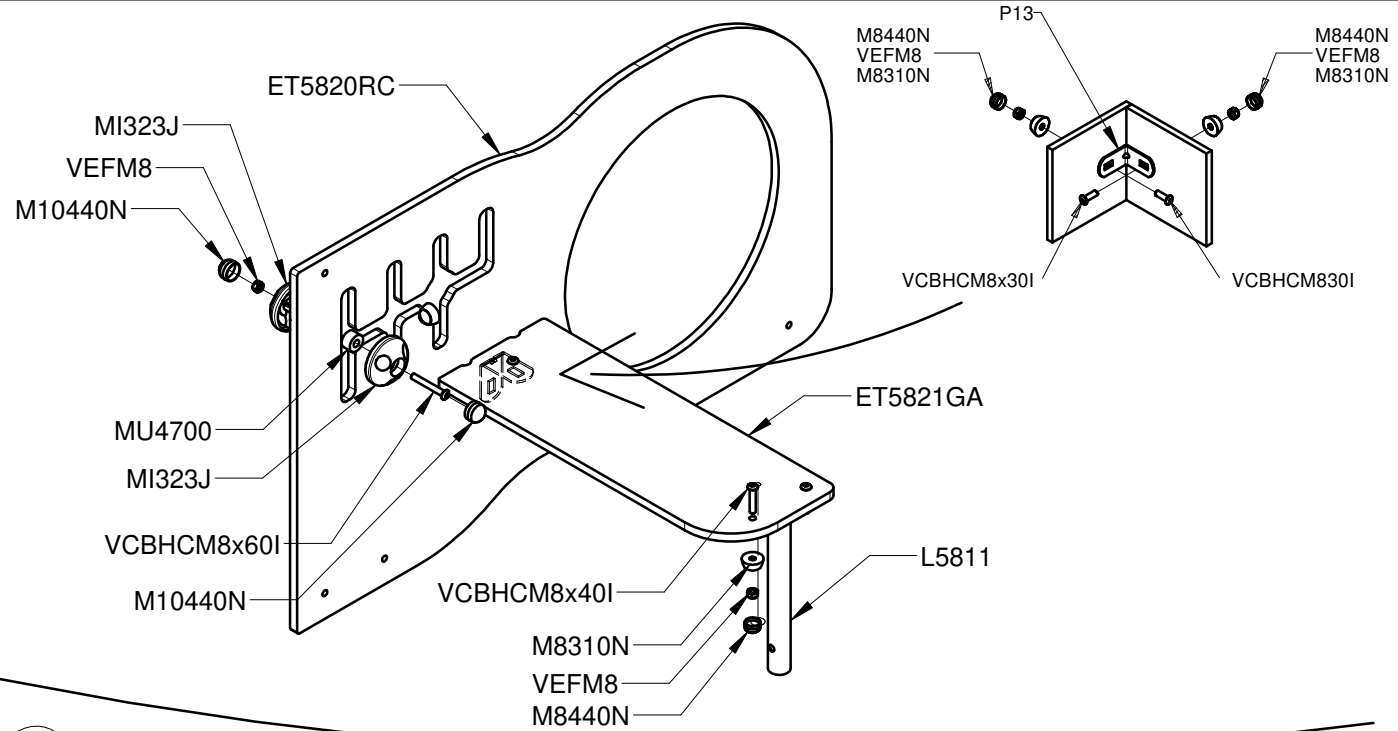




3



4



5

