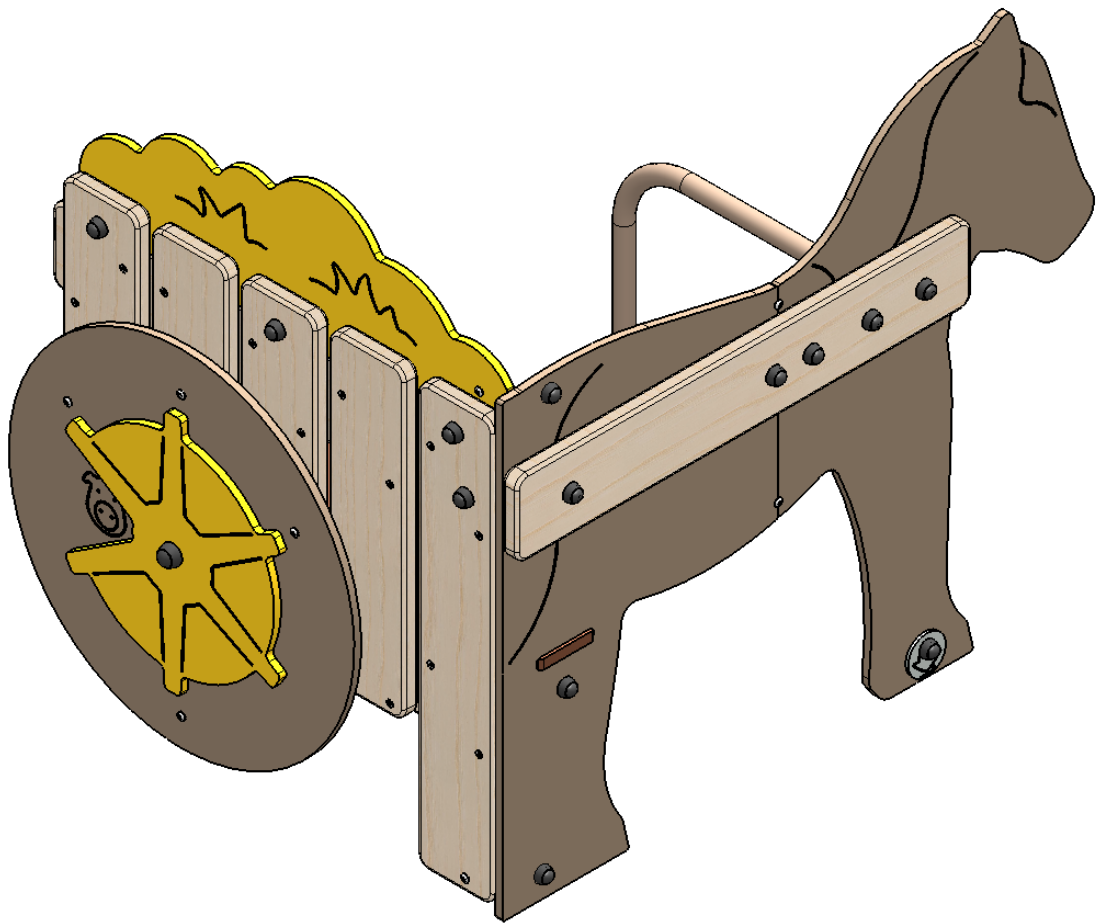
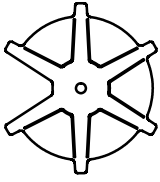


J5845

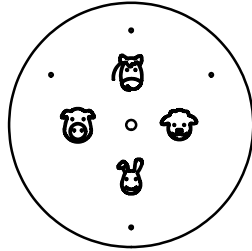
*Pro ludie*



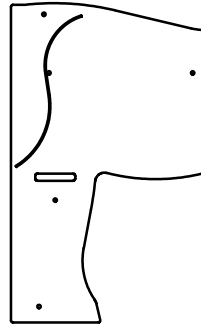
1x  
ET5839J



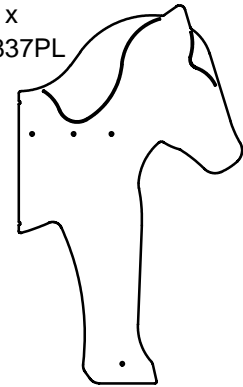
1x  
ET5835PL



1x  
ET5836PL



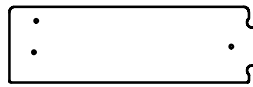
1x  
ET5837PL



1x  
ET5834J



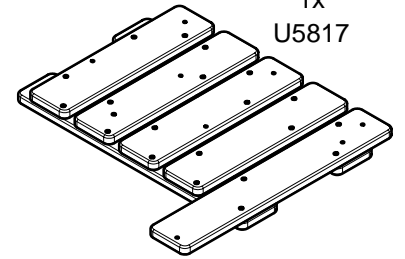
1x  
F5838



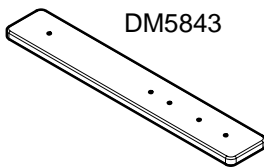
1x  
ET5832PL



1x  
U5817



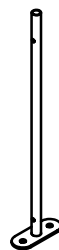
1x  
DM5843



3x  
LG08



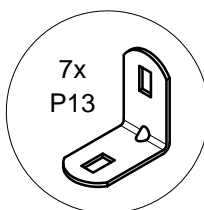
1x  
LG5803



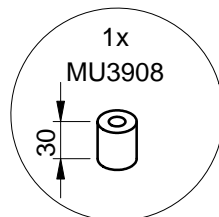
1x  
L5810



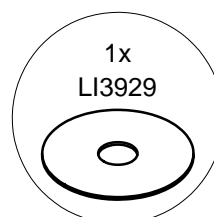
7x  
P13



1x  
MU3908



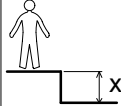
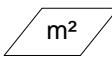
1x  
LI3929



LA000	1
M8310N	29
M8440N	29
M10310N	2
M10440N	2
MI0002	1
VCBHCM8x30I	13
VCBHCM8x40I	2
VCBHCM8x50I	8
VCBHCM8x60I	3
VEFM8	28
VEFM10	1
VTH8x70	1
VTH10x100	1



1→+

N°		
1	<0.6 m	13.5 m <sup>2</sup>

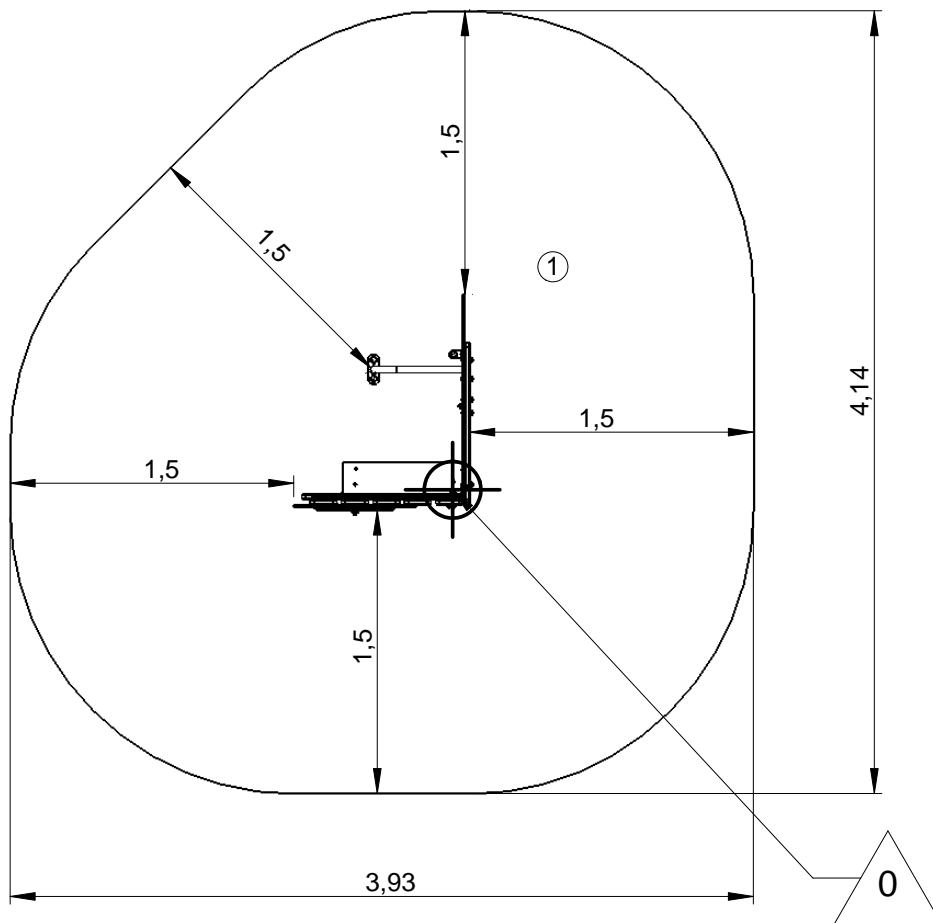
— Zone d'impact  
Impact area  
Area de impacto  
Fallraum  
Valzone

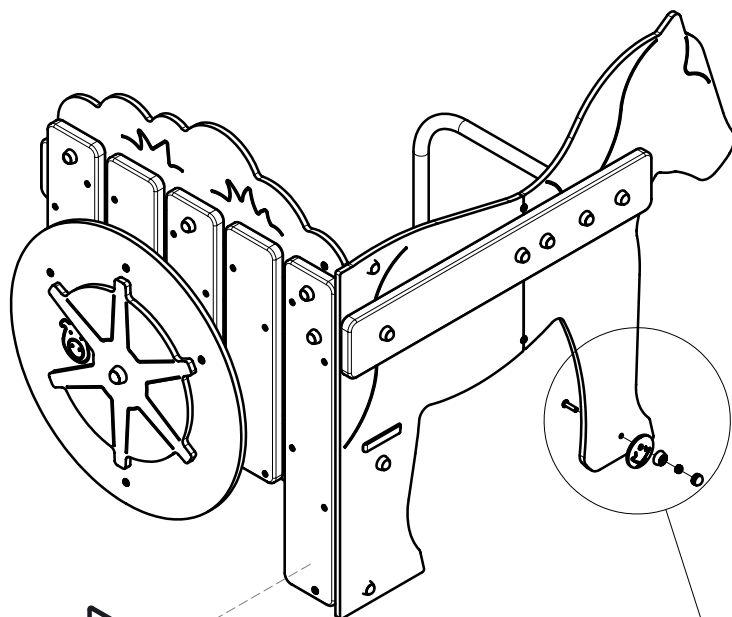


Point de référence  
Setting out point  
Punto de referencia  
Bezugspunkt  
Referentiepunt

- - - Espace libre  
Free space  
Espacio libre  
Freiraum  
Vrije ruimte

EN1176-1:2017





LA000

VCBHCM8x30I

MI0002

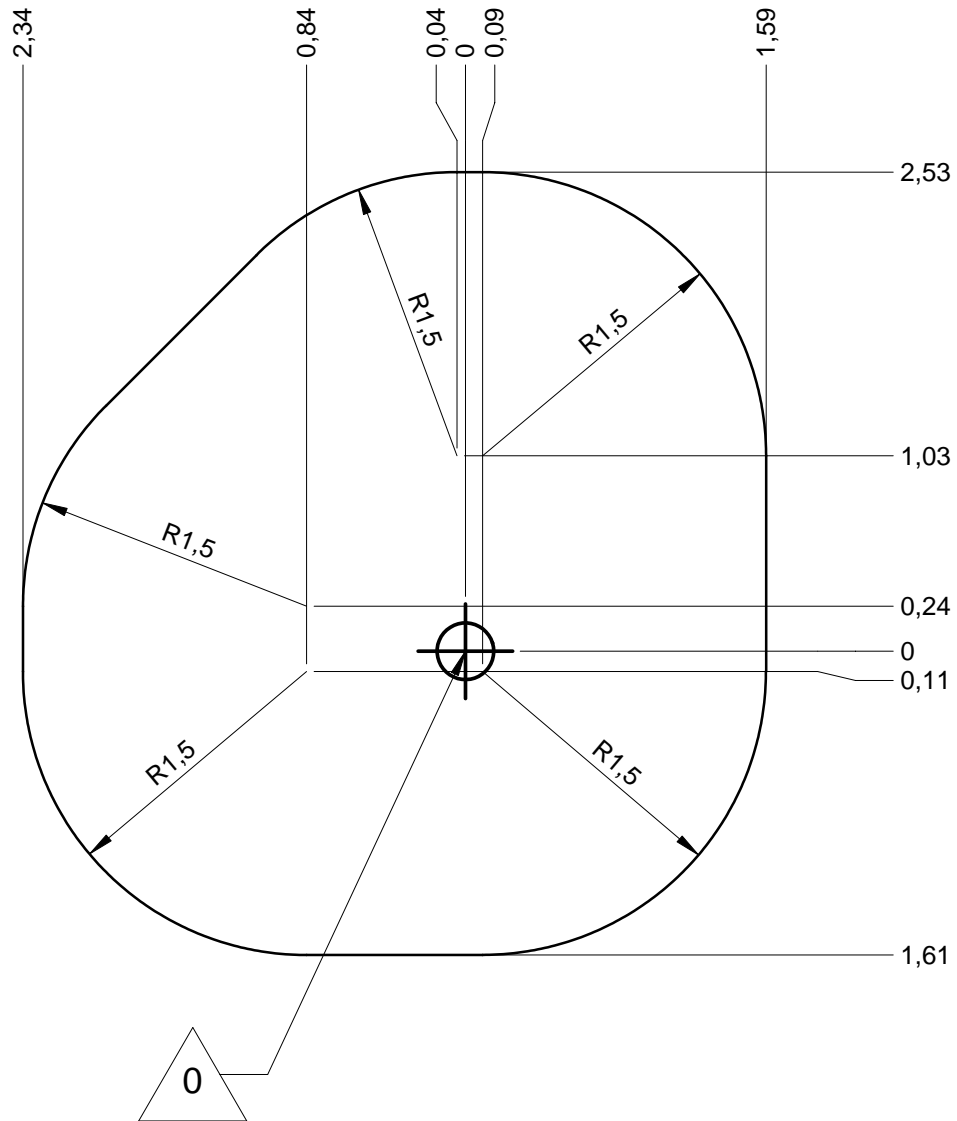
M8310N

VEFM8

M8440N

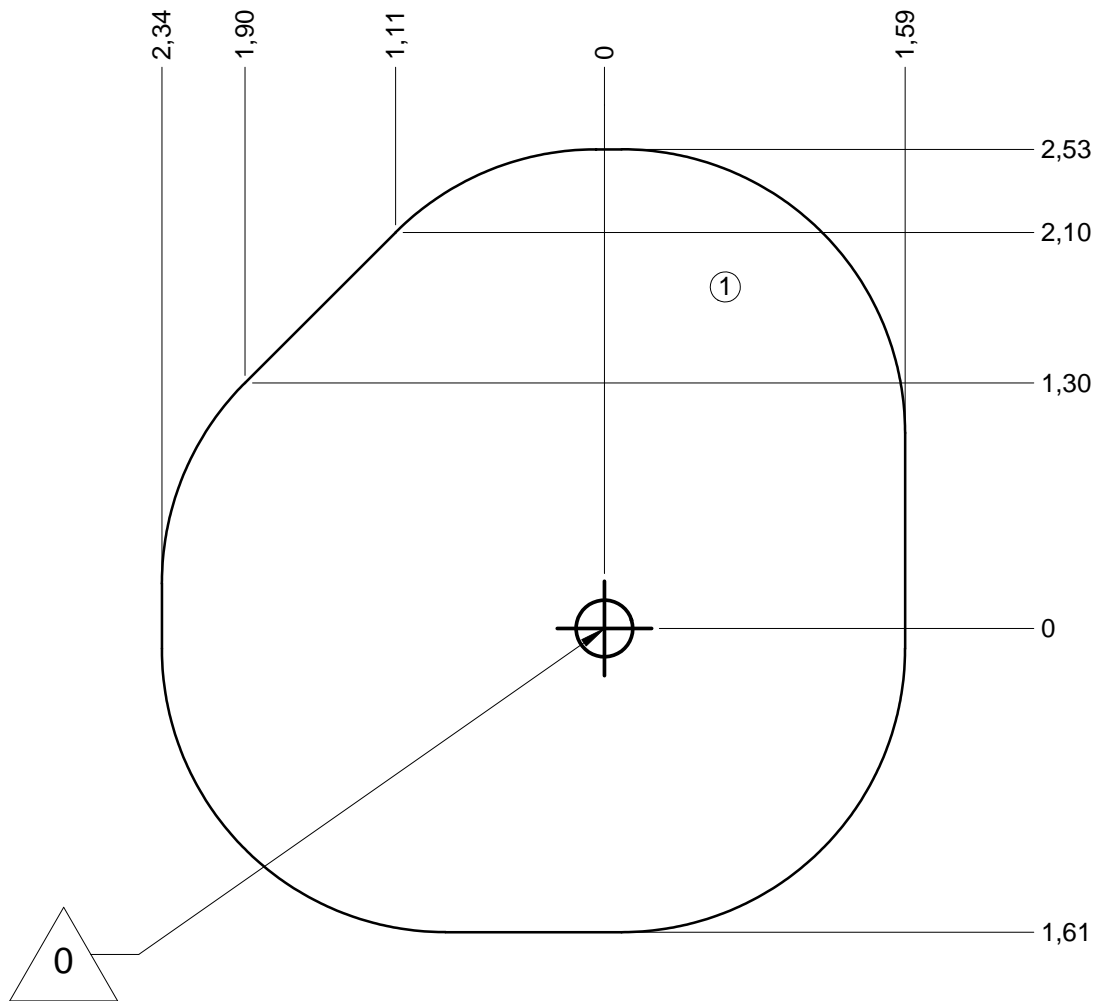
— Zone d'impact  
 Impact area  
 Area de impacto  
 Fallraum  
 Valzone

**13.5 m<sup>2</sup>**



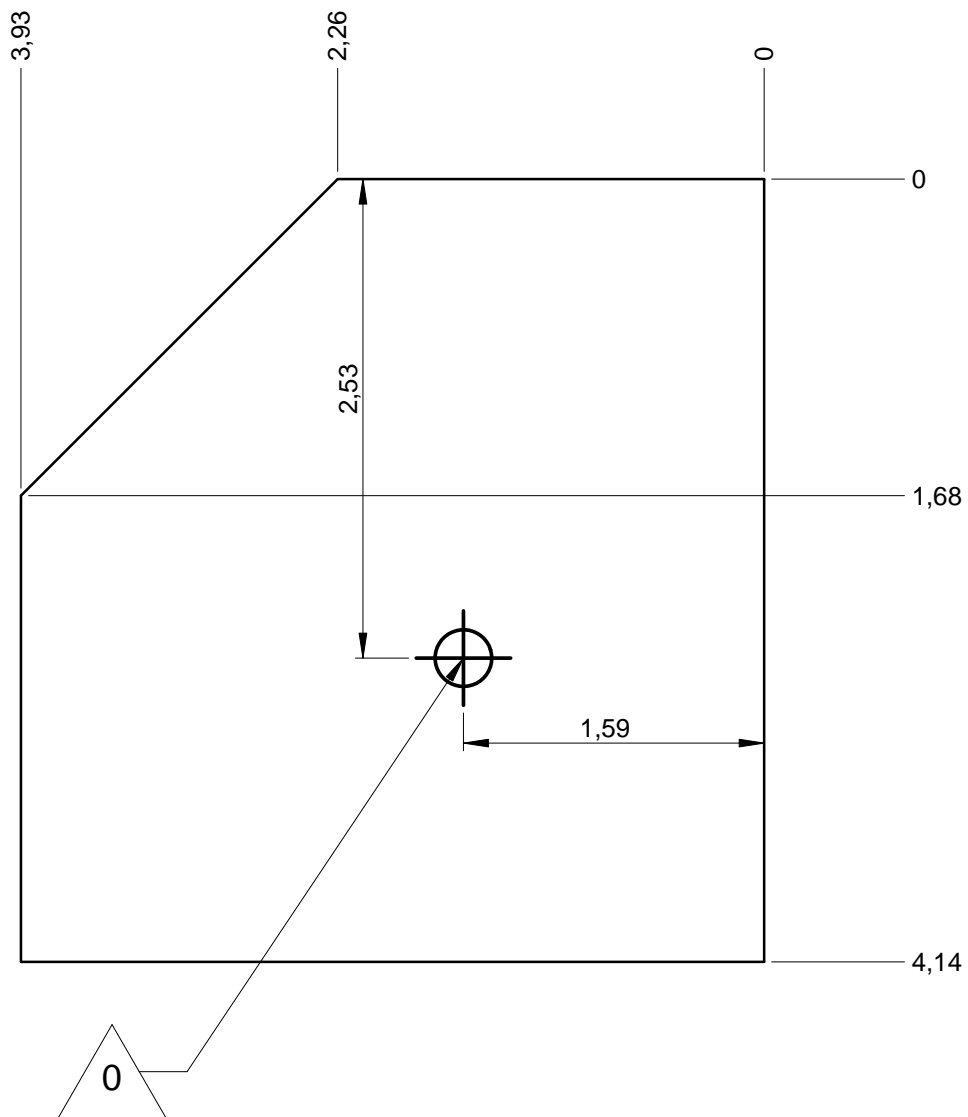
— Sol souple  
Wetpour  
Caucho continuo  
Synthetischer Fallschutz  
Gietvloer

13.5 m<sup>2</sup>

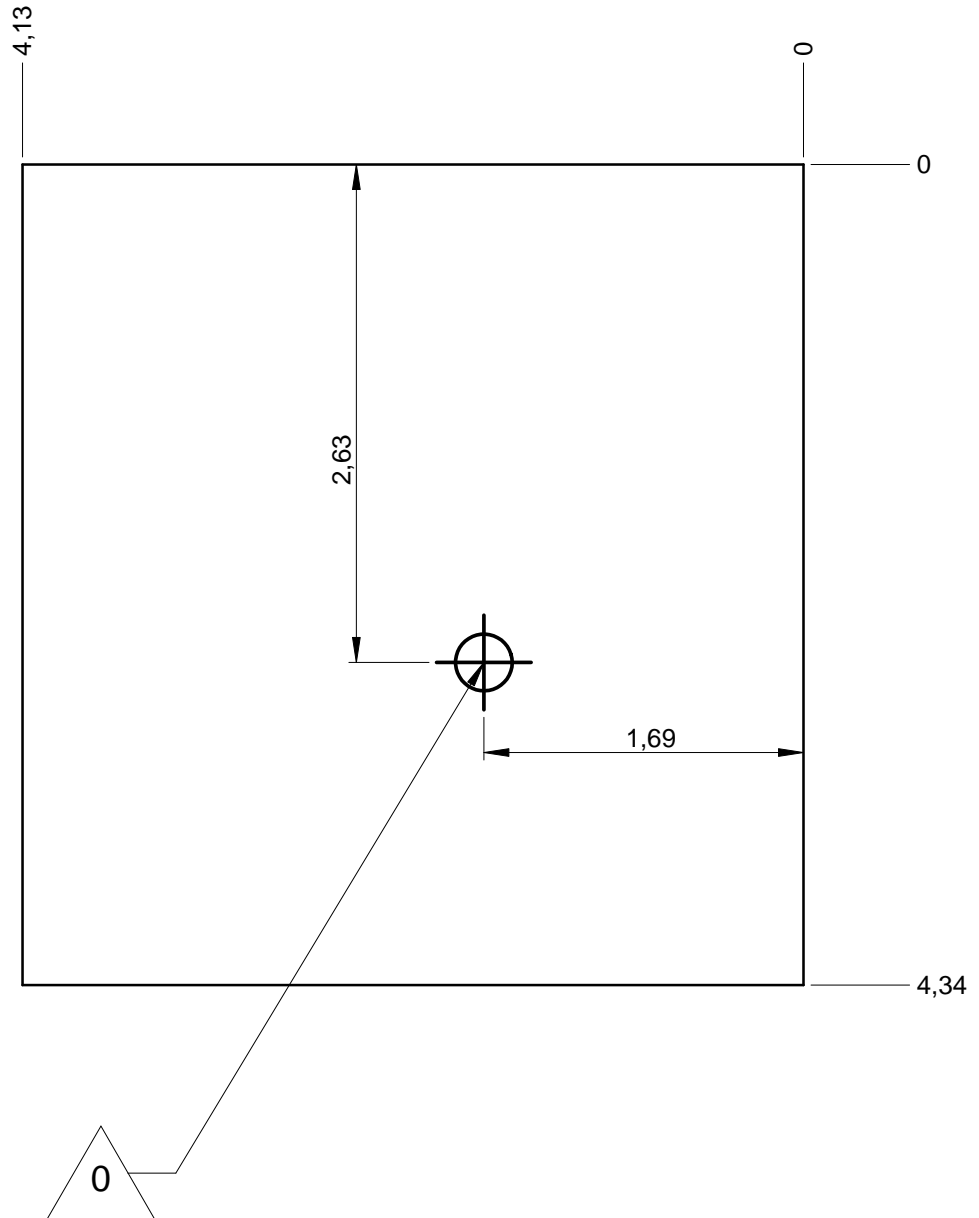


— Dalle béton  
Concrete pad  
Solera de hormigon  
Beton Bodenplatte  
Betonnen bodemplaat

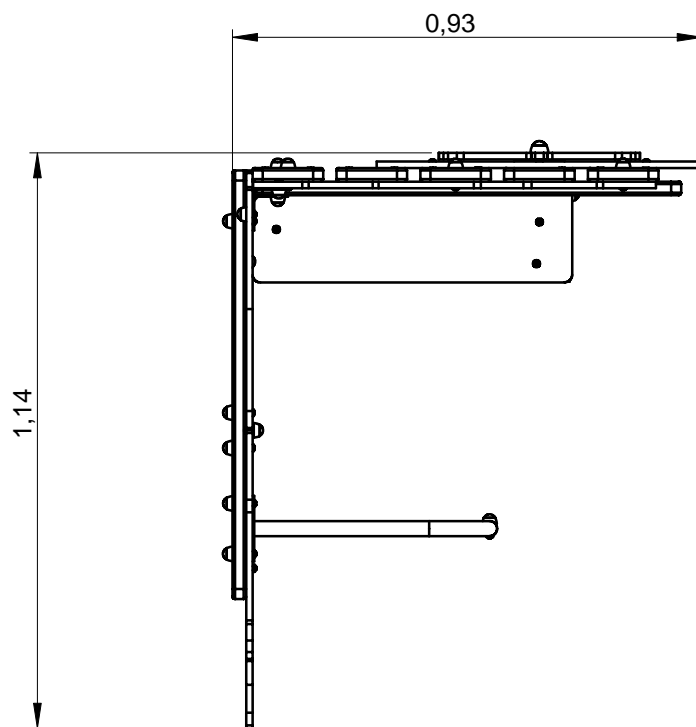
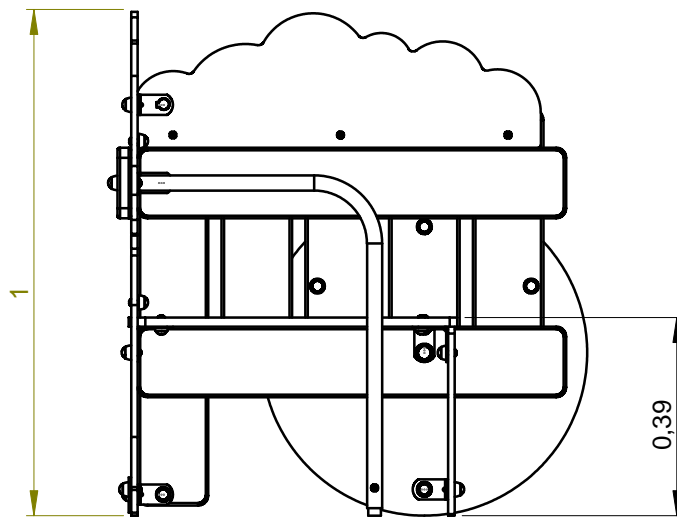
16 m  
15 m<sup>2</sup>



— Sol fluent  
Loos partucule material **18 m**  
Arenero  
Loses Bodenmaterial **18 m<sup>2</sup>**  
Los bodemmateriaal



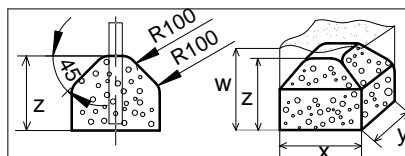
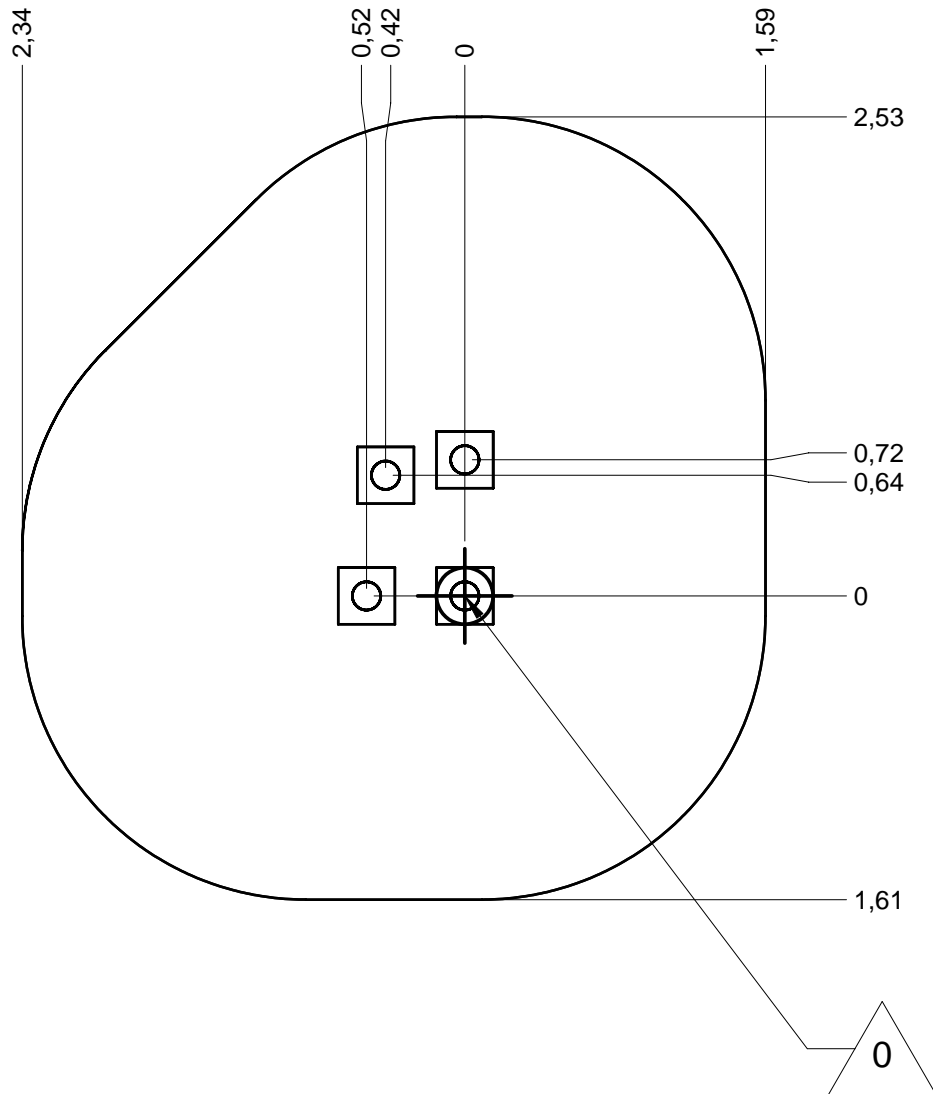




# J5845A

*ProLudic*

Implantation  
 Footing plan  
 Implantación  
 Fundamentplan  
 Funderingstekening

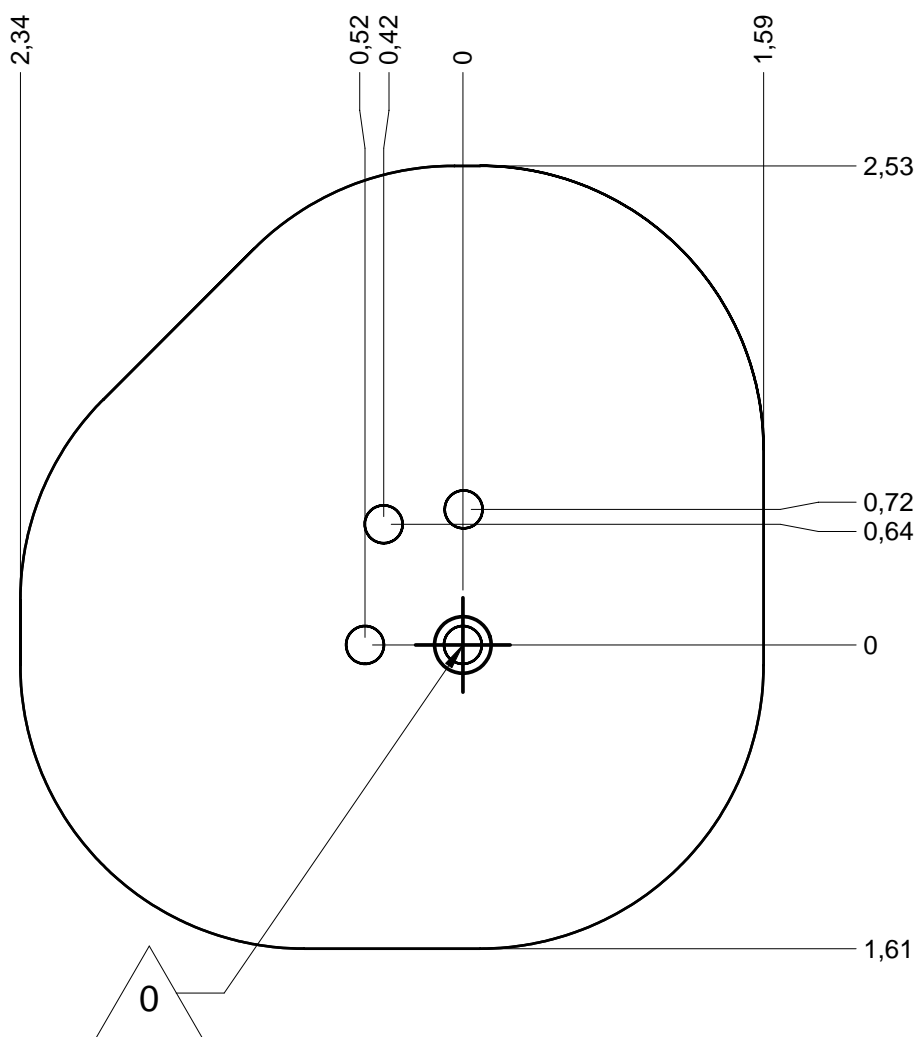


	x	y	z	w
	0.3	0.3	0.3	0.6
	0.4	0.4	0.3	0.6
	0.6	0.3	0.3	0.6

# J5845B

*Proludic*

Implantation  
Footing plan  
Implantación  
Fundamentplan  
Funderingstekening



x2

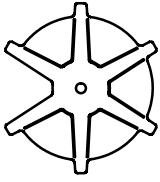


2H

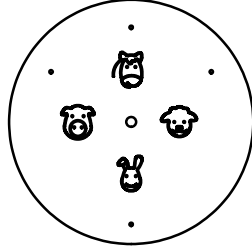
RD14M10



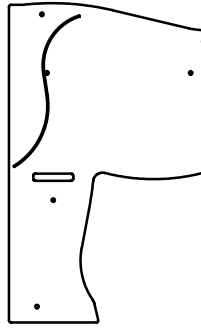
1x  
ET5839J



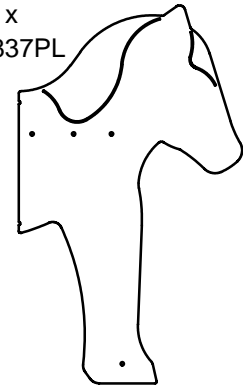
1x  
ET5835PL



1x  
ET5836PL



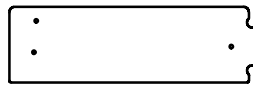
1x  
ET5837PL



1x  
ET5834J



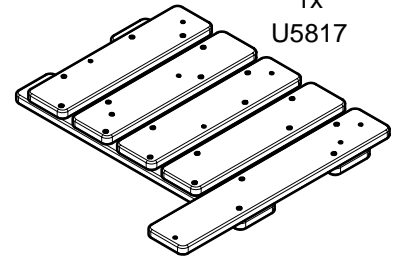
1x  
F5838



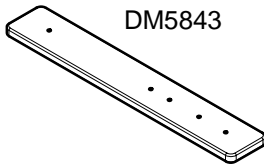
1x  
ET5832PL



1x  
U5817



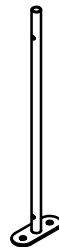
1x  
DM5843



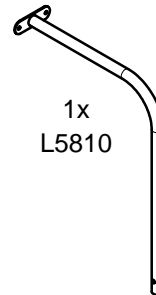
3x  
LG08



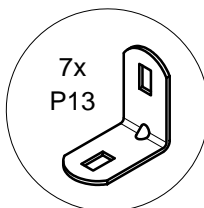
1x  
LG5803



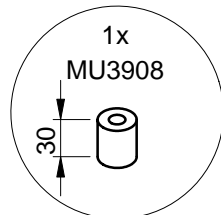
1x  
L5810



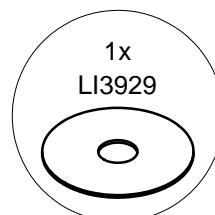
7x  
P13



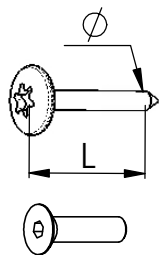
1x  
MU3908



1x  
LI3929

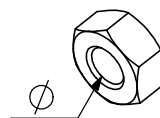


LA000	1
M8310N	29
M8440N	29
M10310N	2
M10440N	2
MI0002	1
VCBHCM8x30I	13
VCBHCM8x40I	2
VCBHCM8x50I	8
VCBHCM8x60I	3
VEFM8	28
VEFM10	1
VTH8x70	1
VTH10x100	1



VBT 6 x 30  
 $\varnothing$  L (mm)

VFHC



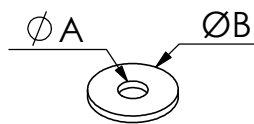
VEC M10  
 $\varnothing$



VEF



VEB

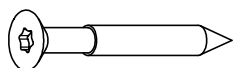


VR6x18  
 $\varnothing A$   $\varnothing B$

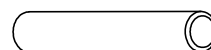
**VTHA**

**1000 - 1800 RPM**  
 Vitesse de rotation  
 Rotation speed

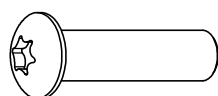
**< 14 N.m**  
 Couple de rupture  
 Breakage torque



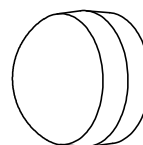
VWT



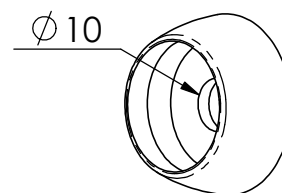
VGC



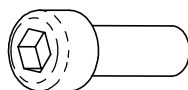
VCBHC



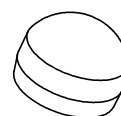
M10 440N



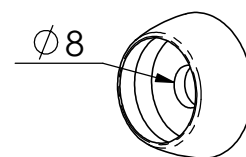
M10 310 N



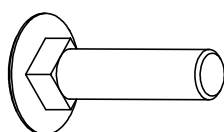
VBTR



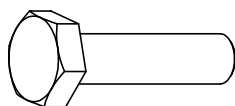
M8440N



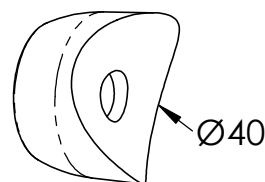
M8310N



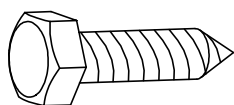
VTRCC



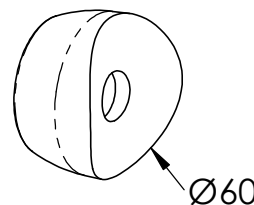
VTH



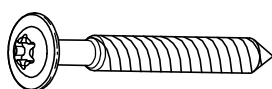
MI2503



VTF

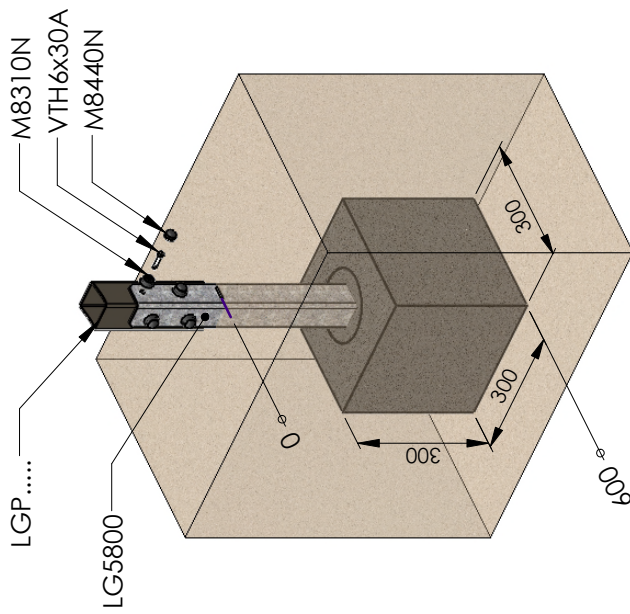


MI2701

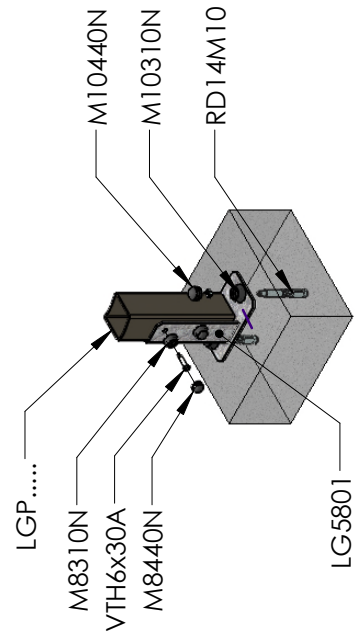


VBT

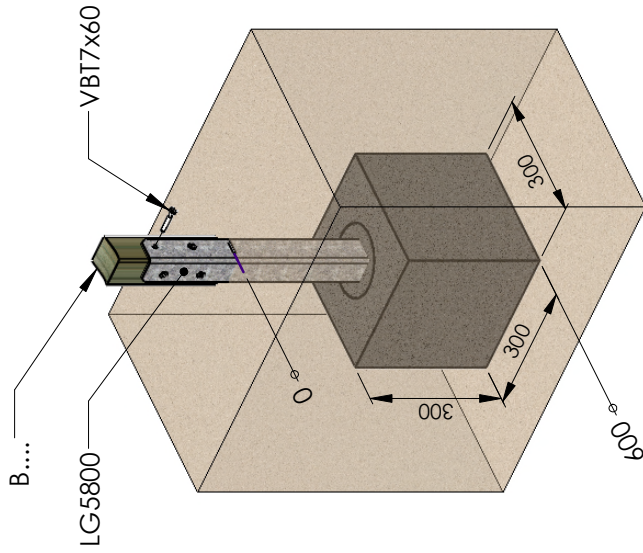
### LGP.... A



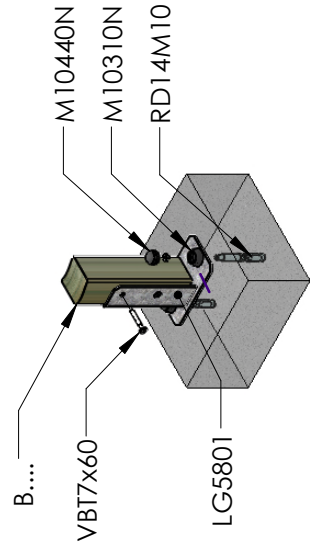
### LGP.... B



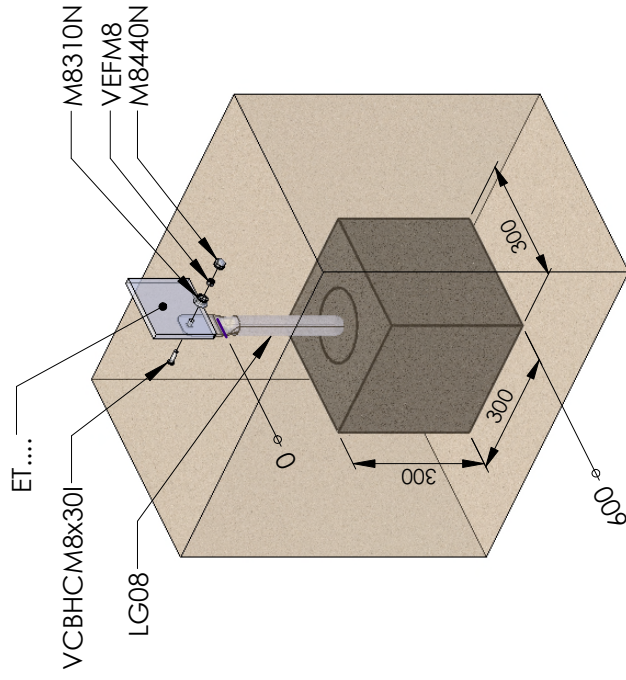
### B.... A



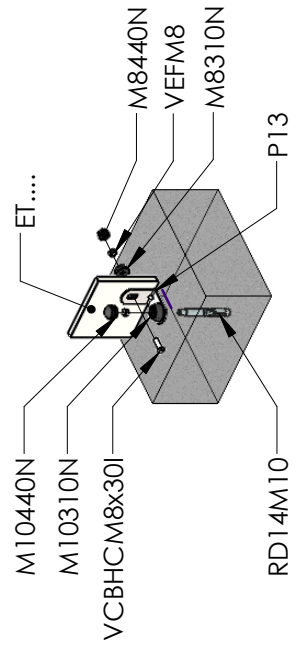
### B.... B



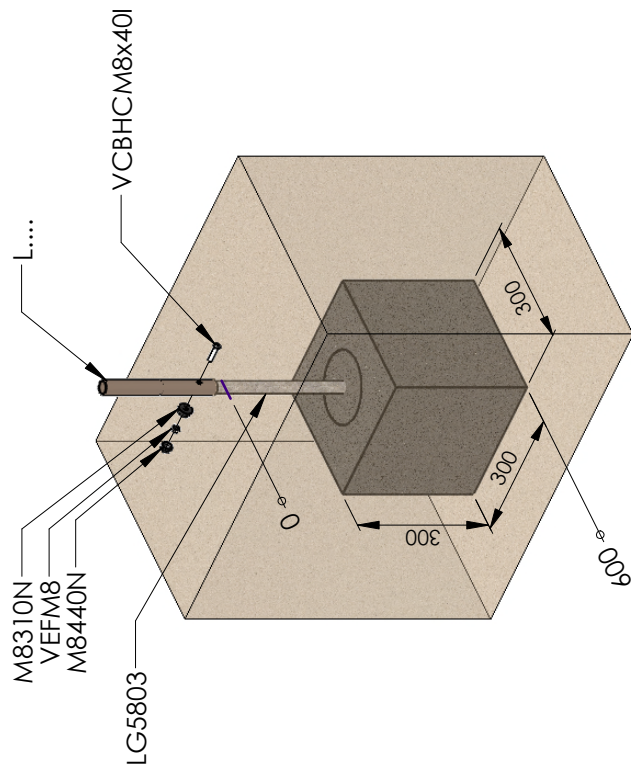
### ET.... A



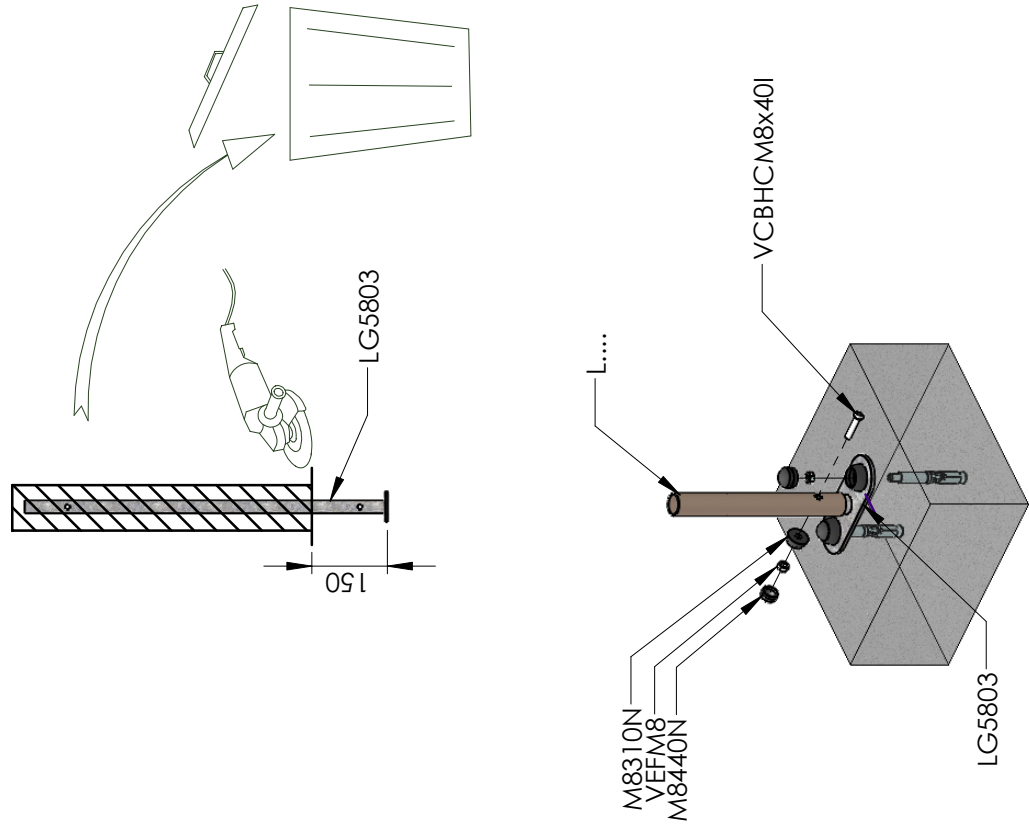
### ET.... B



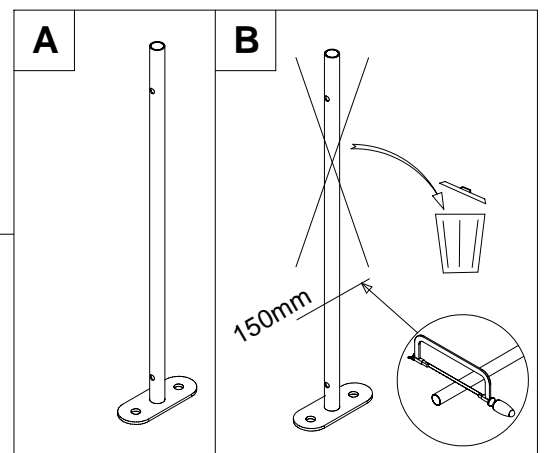
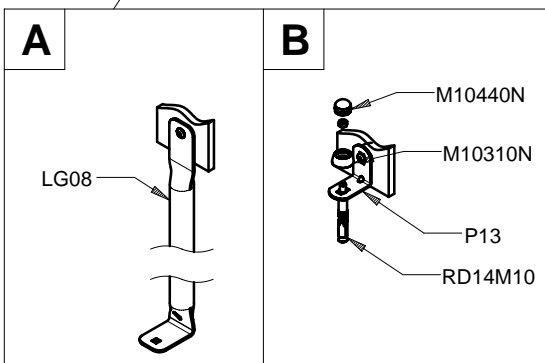
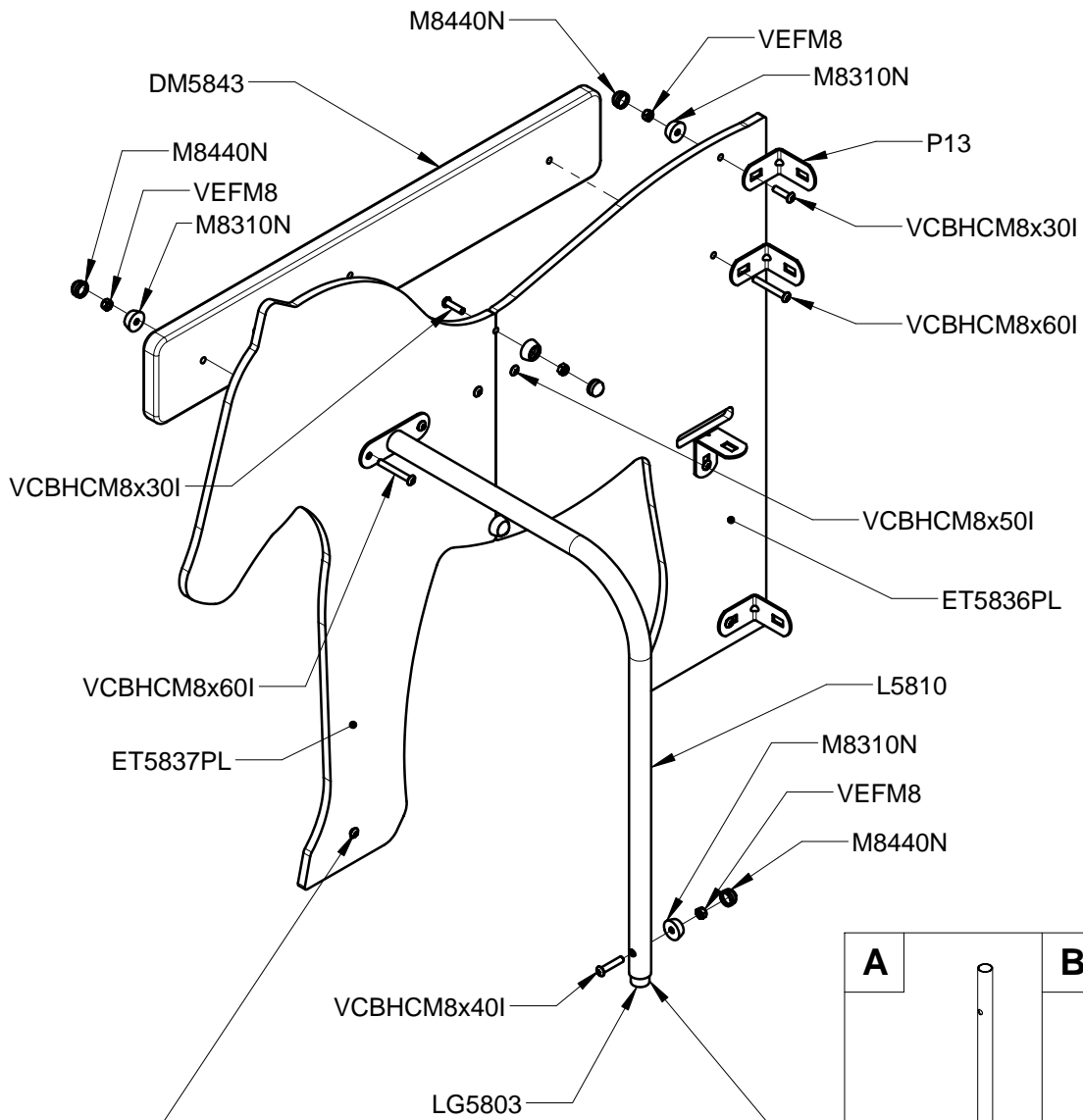
L.... A



L.... B



1







4

