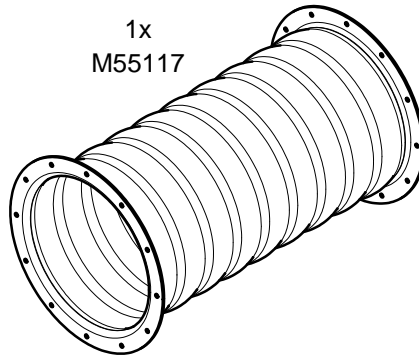
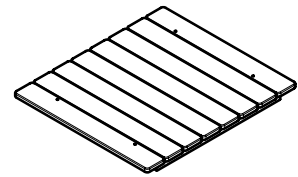


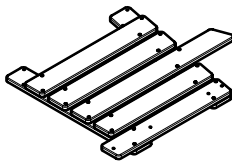
1x  
M55117



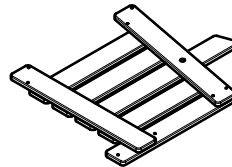
1x  
U5810



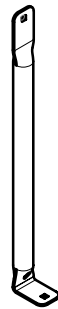
1x  
U5811



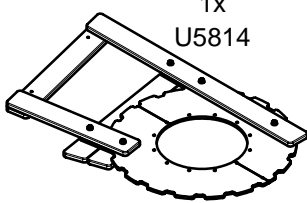
1x  
U5813



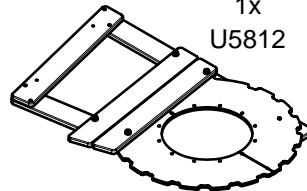
4x  
LG08



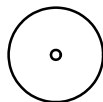
1x  
U5814



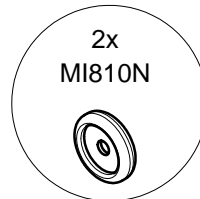
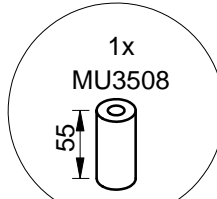
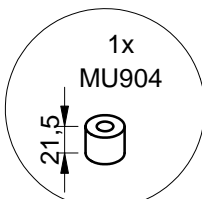
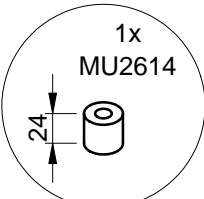
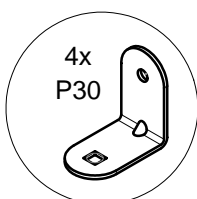
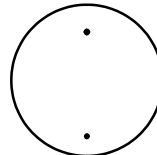
1x  
U5812



1x  
ET5822GA



2x  
ET5827GA



LA000	1
MI0002	1
M8310N	45
M8440N	45
M10310N	3
M10440N	2
VCBHCM8x30I	25
VCBHCM8x40I	9
VCBHCM8x50I	3
VCBHCM8x60I	1
VEFM8	42
VEFM10	1
VTH8x80	4
VTH10x130	1
VWT6x50	8



N°		
1	0.75 m	19 m <sup>2</sup>

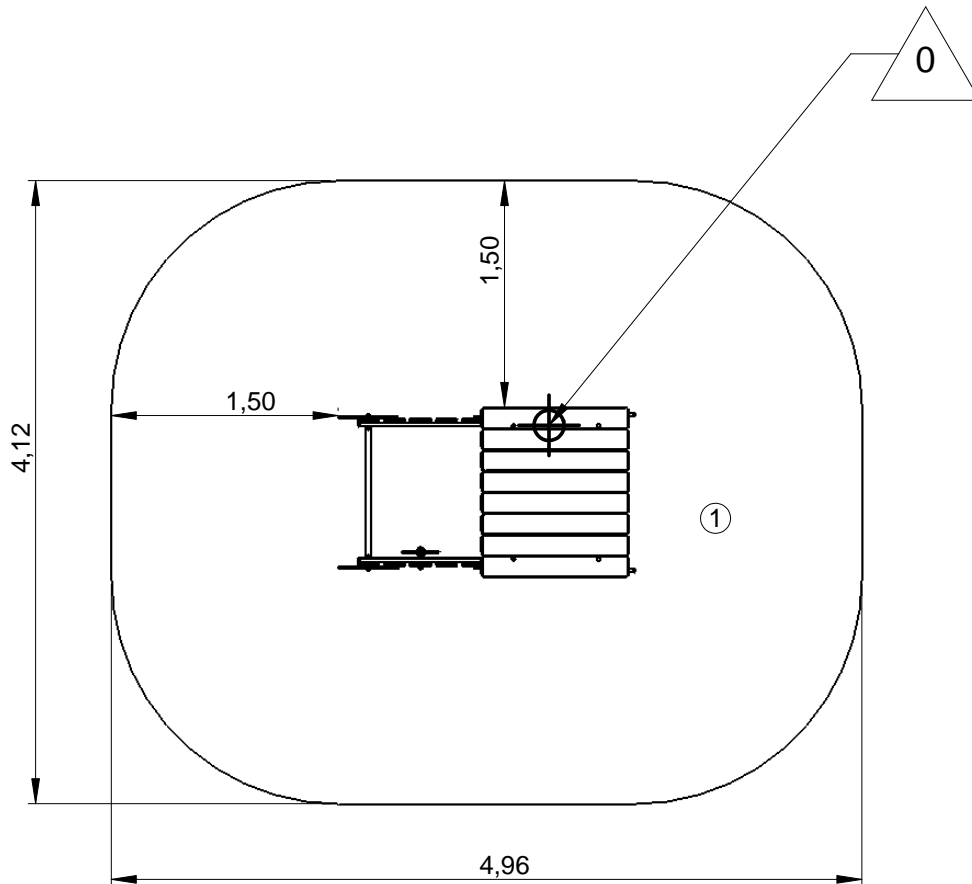
— Zone d'impact  
Impact area  
Area de impacto  
Fallraum  
Valzone

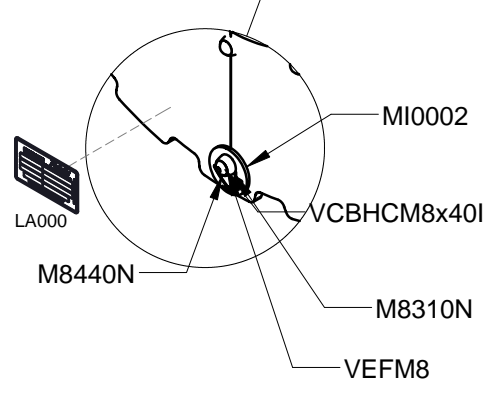
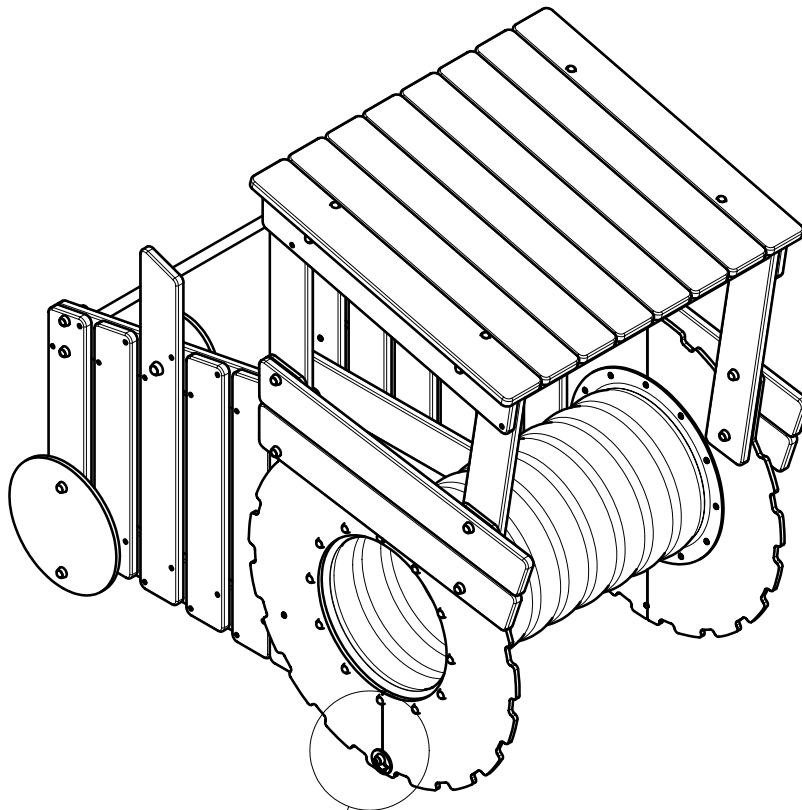


Point de référence  
Setting out point  
Punto de referencia  
Bezugspunkt  
Referentiepunt

- - - Espace libre  
Free space  
Espacio libre  
Freiraum  
Vrije ruimte

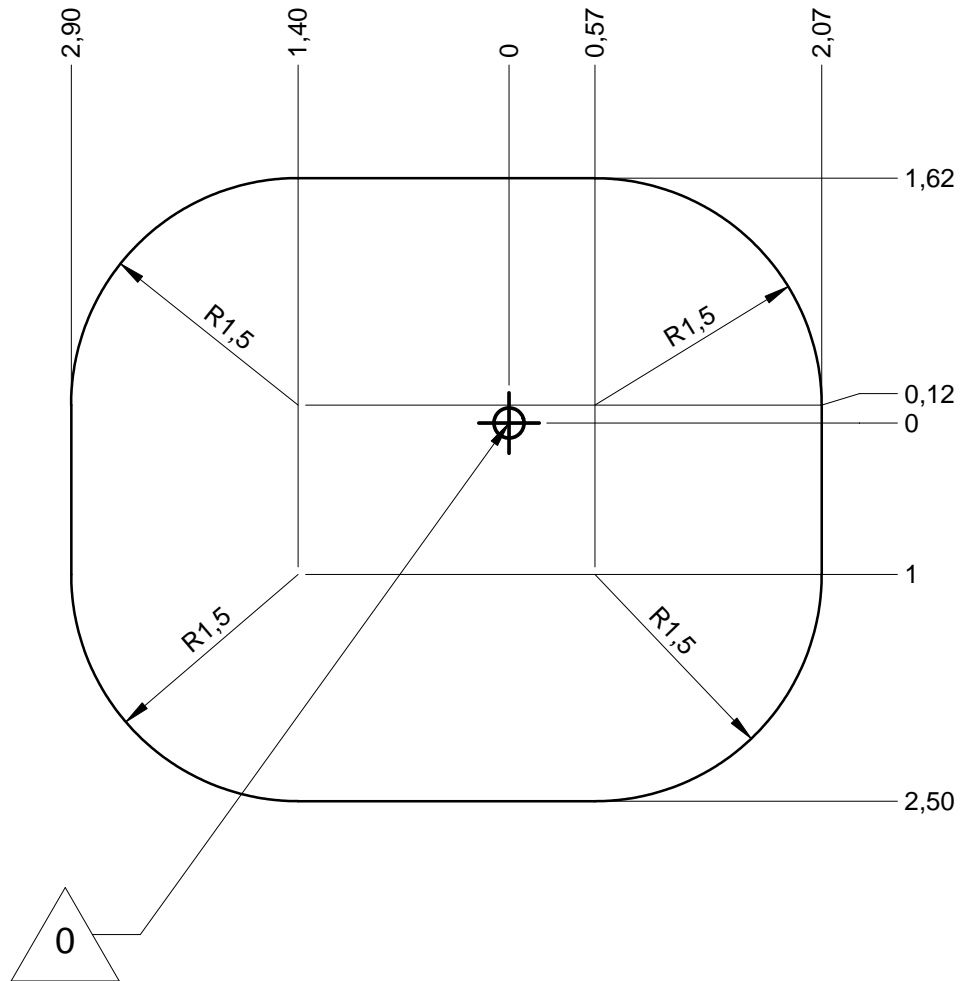
EN1176-1:2017





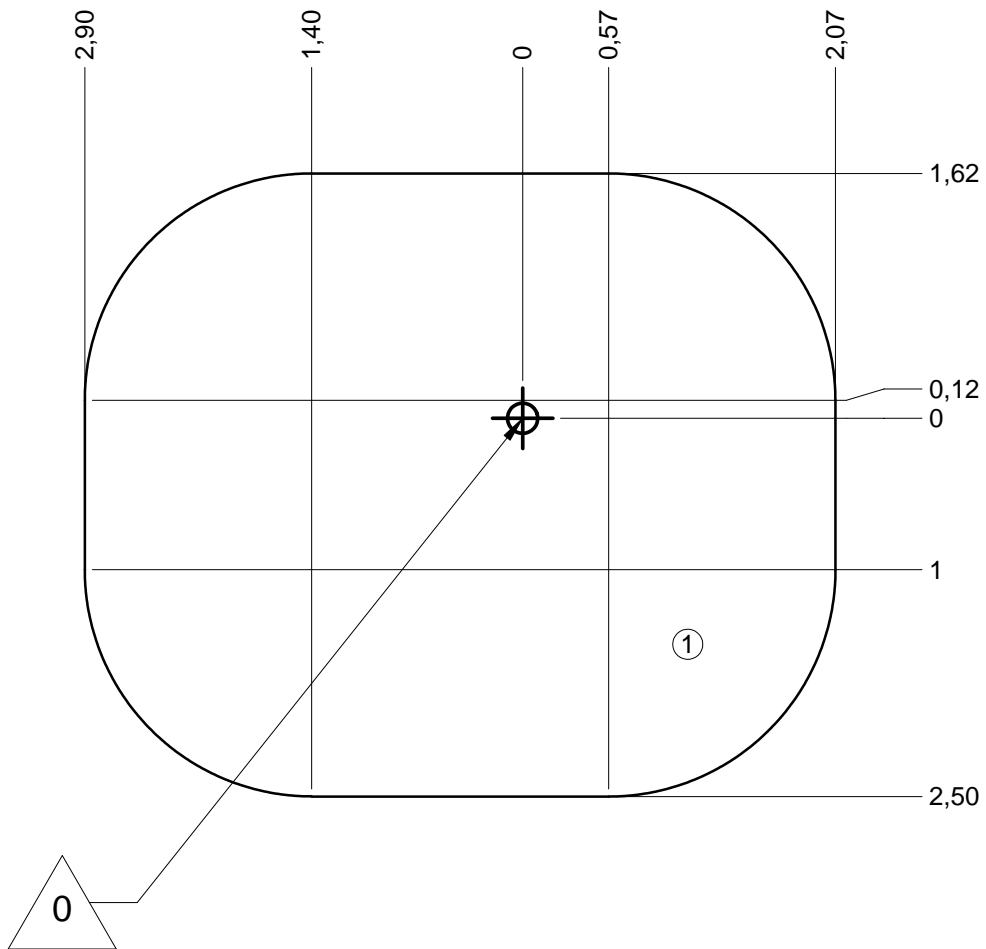
— Zone d'impact  
 Impact area  
 Area de impacto  
 Fallraum  
 Valzone

**19 m<sup>2</sup>**



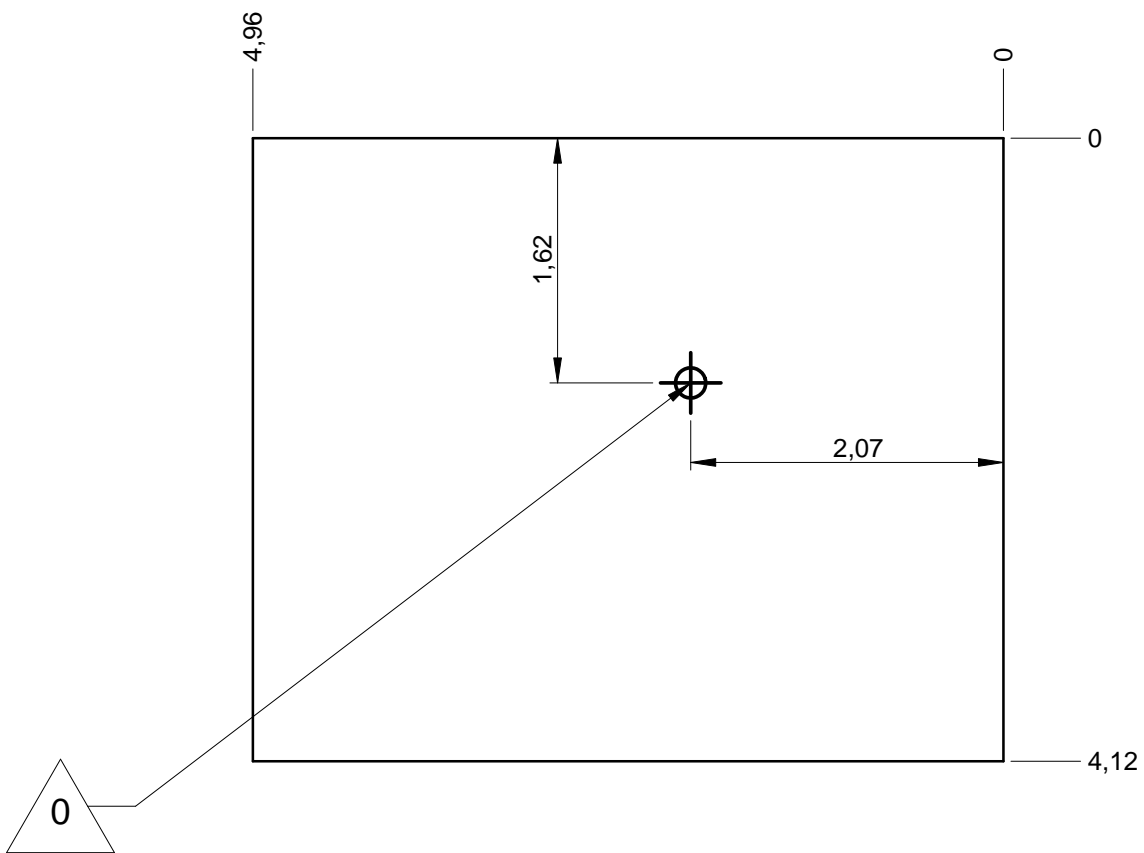
— Sol souple  
Wetpour  
Caucho continuo  
Synthetischer Fallschutz  
Gietvloer

19 m<sup>2</sup>

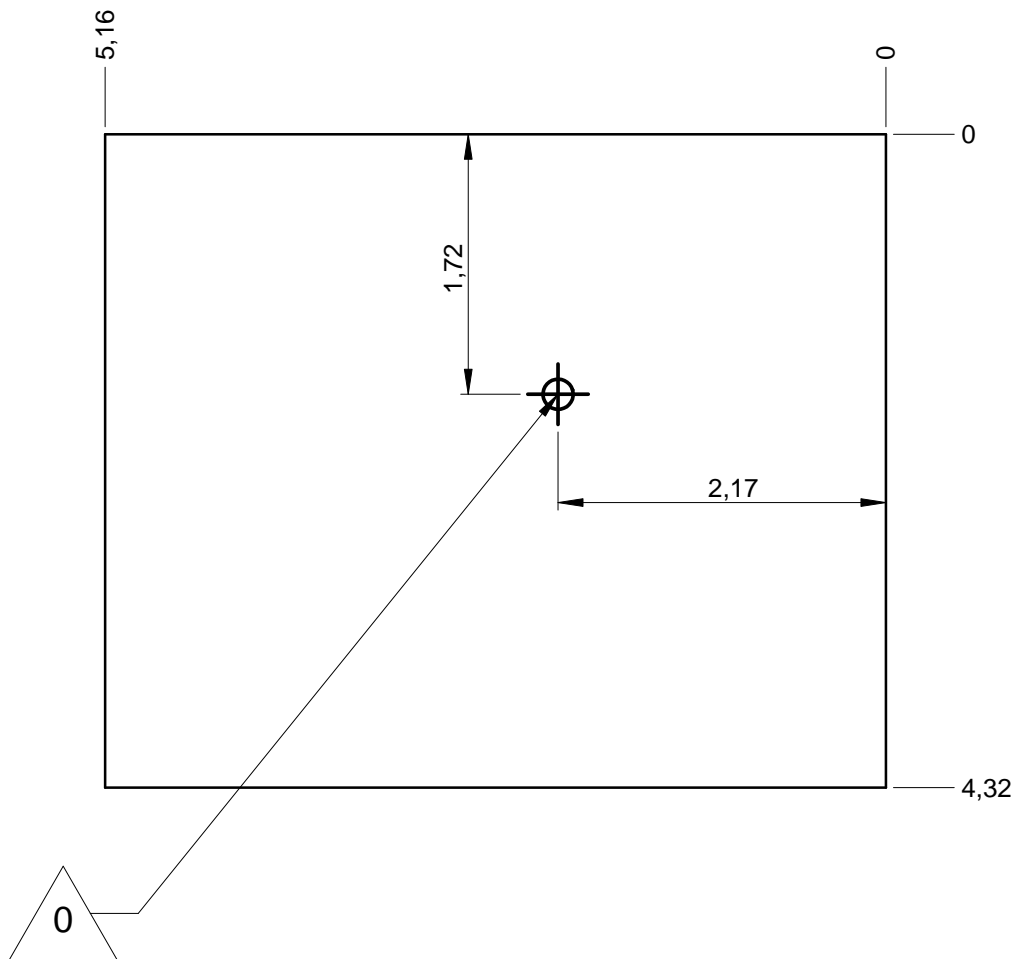


— Dalle béton  
Concrete pad  
Solera de hormigon  
Beton Bodenplatte  
Betonnen bodemplaat

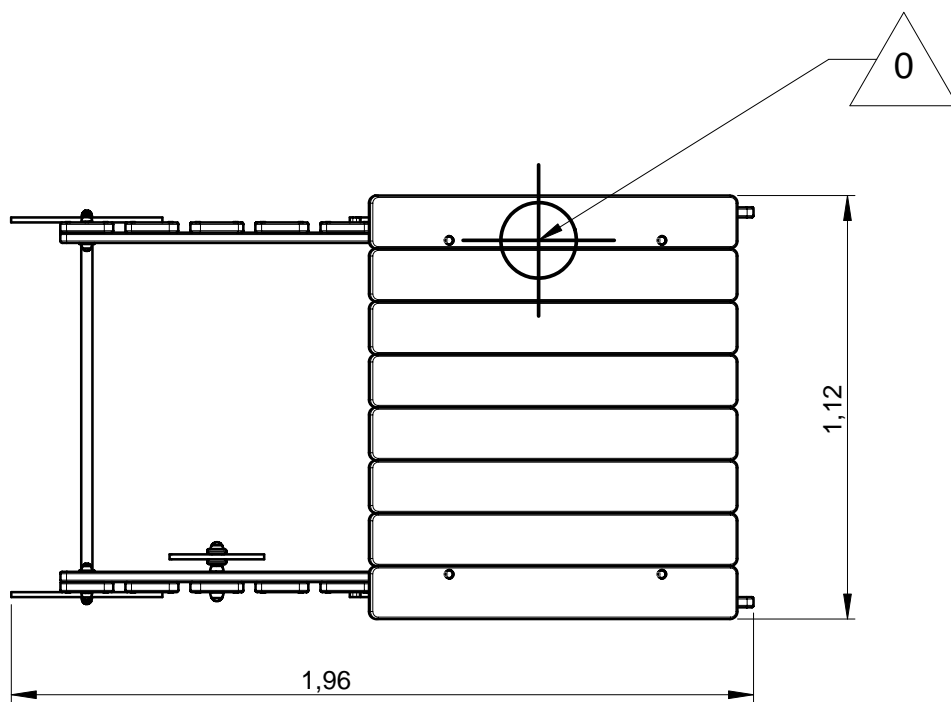
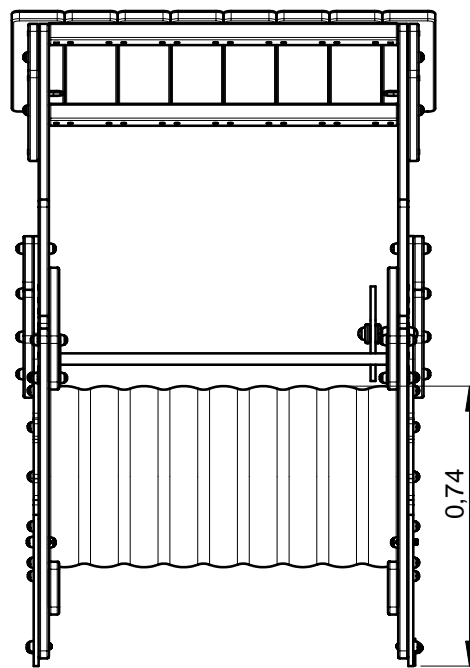
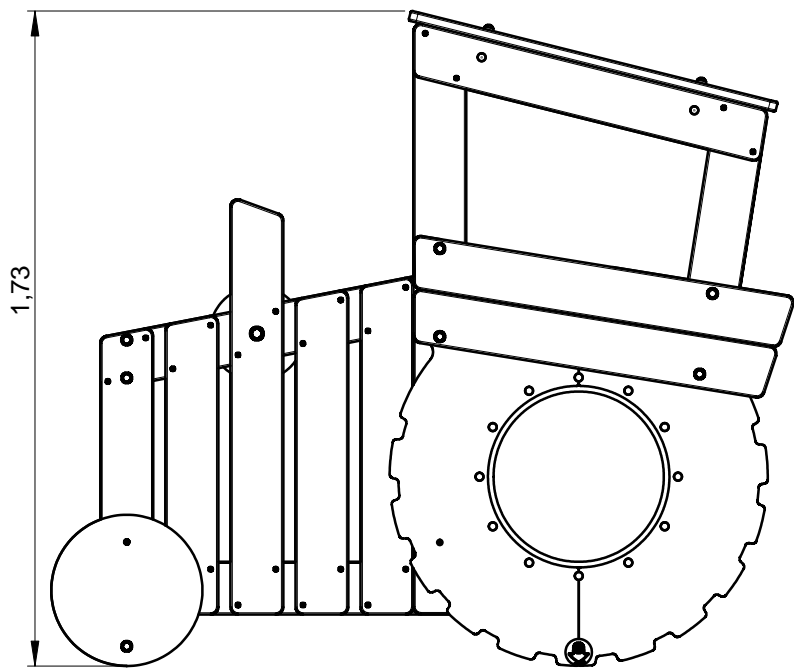
19 m  
21 m<sup>2</sup>



— Sol fluent  
Loos partucule material 20 m  
Arenero  
Loses Bodenmaterial 23 m<sup>2</sup>  
Los bodemateriaal



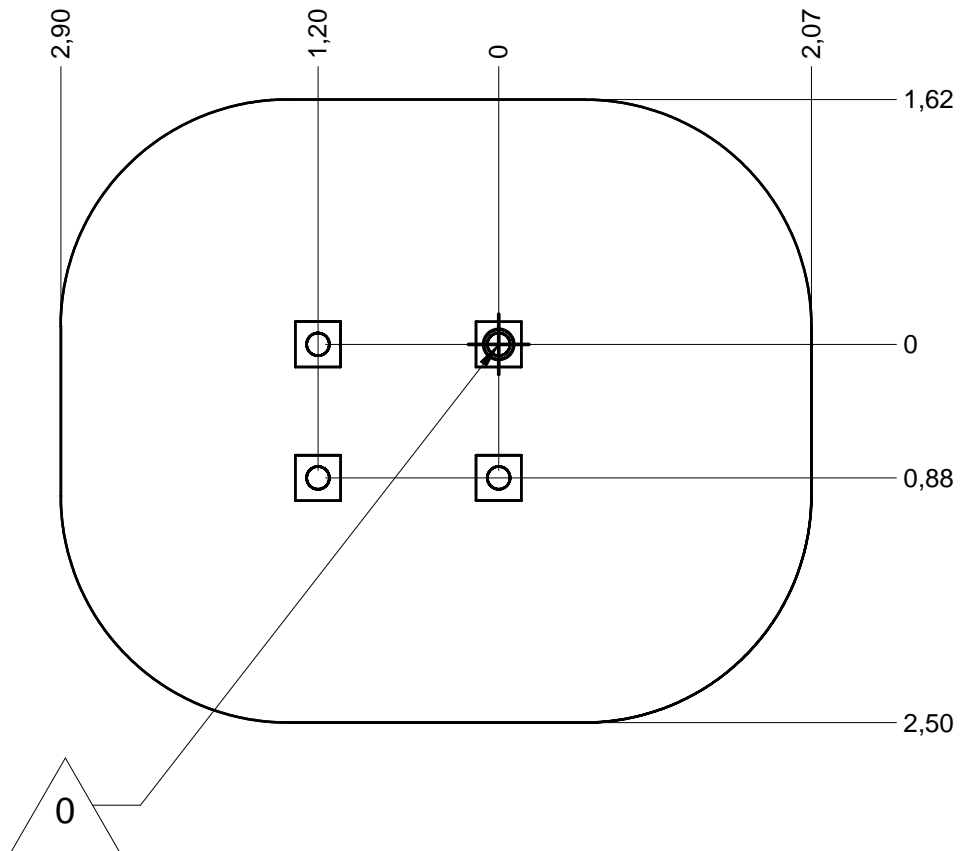




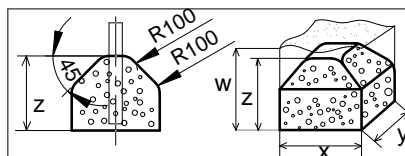
# J5843A




*ProLudic*

Implantation  
 Footing plan  
 Implantación  
 Fundamentplan  
 Funderingstekening



 x2  
 2H  
 0.15 m<sup>3</sup>

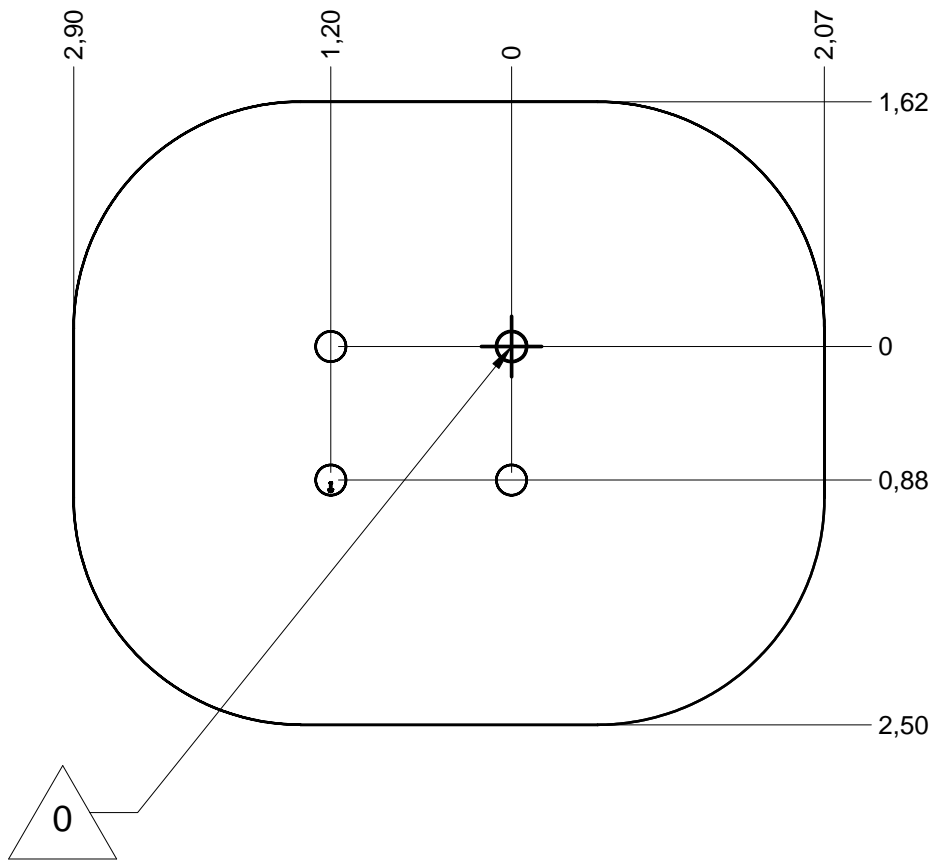


	x	y	z	w
	0.3	0.3	0.3	0.6
	0.4	0.4	0.3	0.6
	0.6	0.3	0.3	0.6

# J5843B

*Proludic*

Implantation  
Footing plan  
Implantación  
Fundamentplan  
Funderingstekening



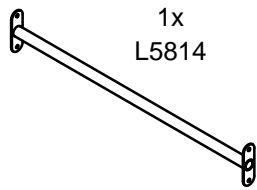
x2



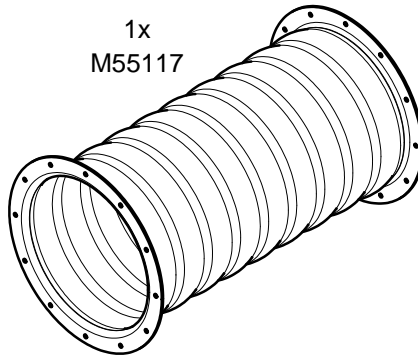
2H

RD14M10

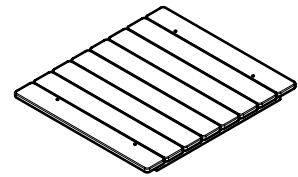




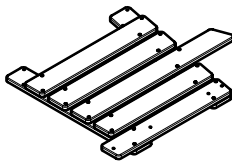
1x  
M55117



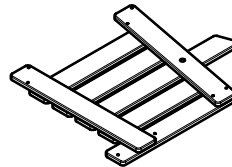
1x  
U5810



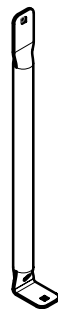
1x  
U5811



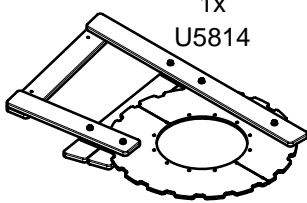
1x  
U5813



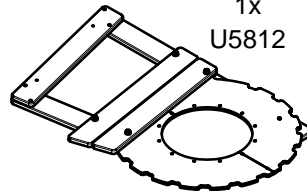
4x  
LG08



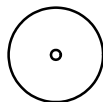
1x  
U5814



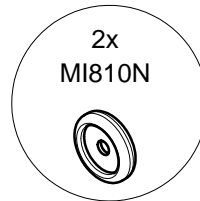
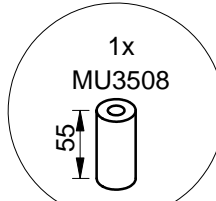
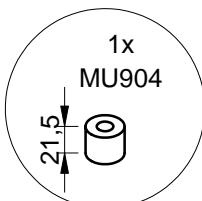
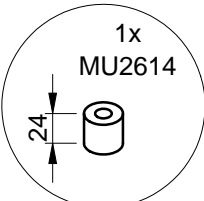
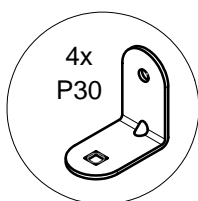
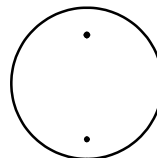
1x  
U5812



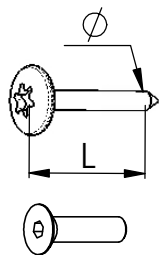
1x  
ET5822GA



2x  
ET5827GA

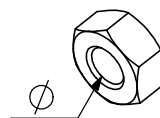


LA000	1
MI0002	1
M8310N	45
M8440N	45
M10310N	3
M10440N	2
VCBHCM8x30I	25
VCBHCM8x40I	9
VCBHCM8x50I	3
VCBHCM8x60I	1
VEFM8	42
VEFM10	1
VTH8x80	4
VTH10x130	1
VWT6x50	8



VBT 6 x 30  
 $\varnothing$  L (mm)

VFHC



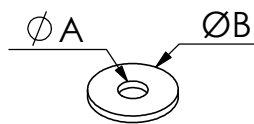
VEC M10  
 $\varnothing$



VEF



VEB

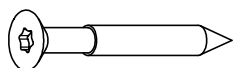


VR6x18  
 $\varnothing A$   $\varnothing B$

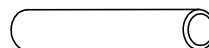
**VTHA**

**1000 - 1800 RPM**  
 Vitesse de rotation  
 Rotation speed

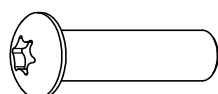
**< 14 N.m**  
 Couple de rupture  
 Breakage torque



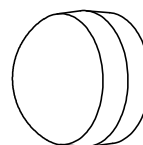
VWT



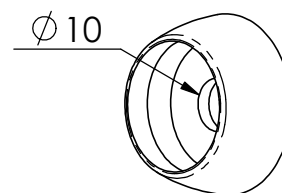
VGC



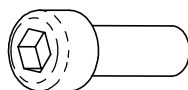
VCBHC



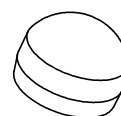
M10 440N



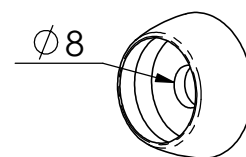
M10 310 N



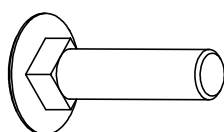
VBTR



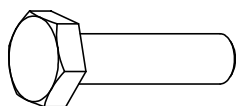
M8440N



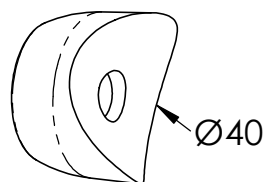
M8310N



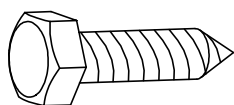
VTRCC



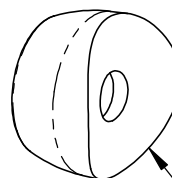
VTH



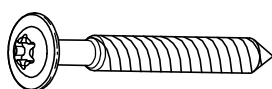
MI2503



VTF

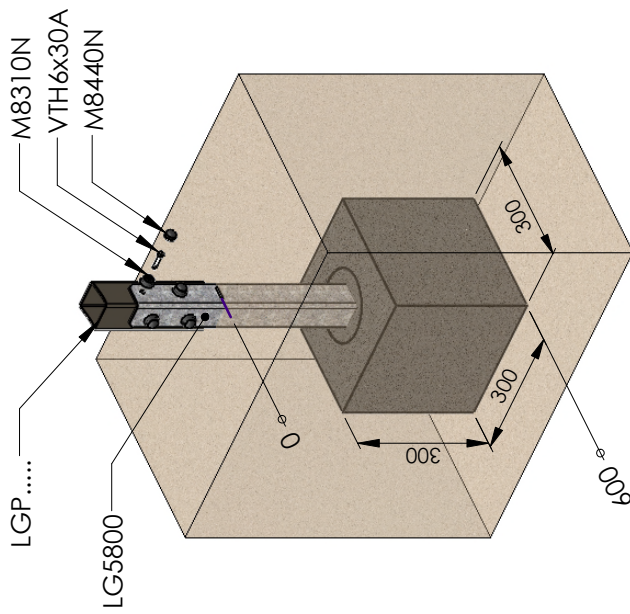


MI2701

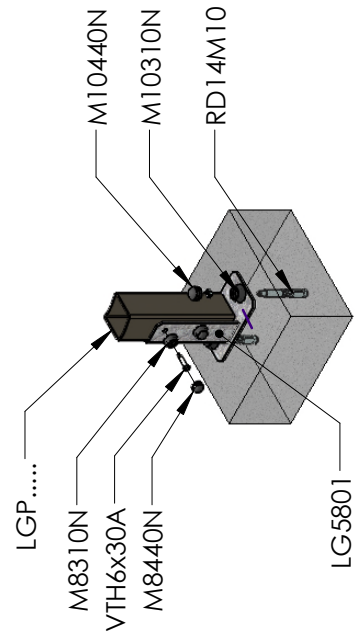


VBT

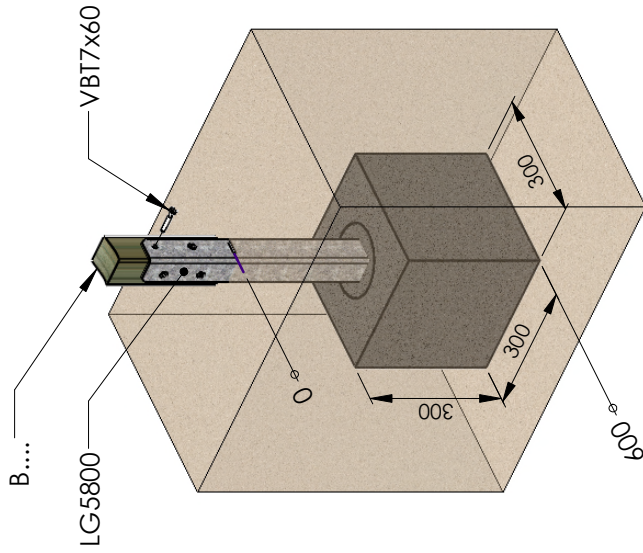
### LGP.... A



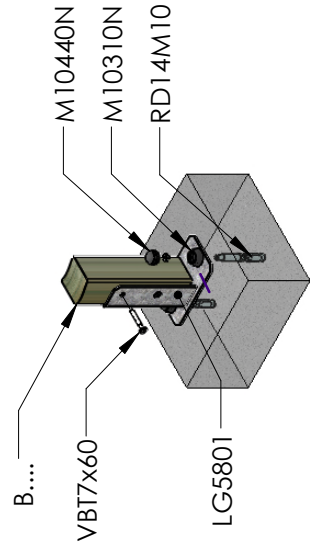
### LGP.... B



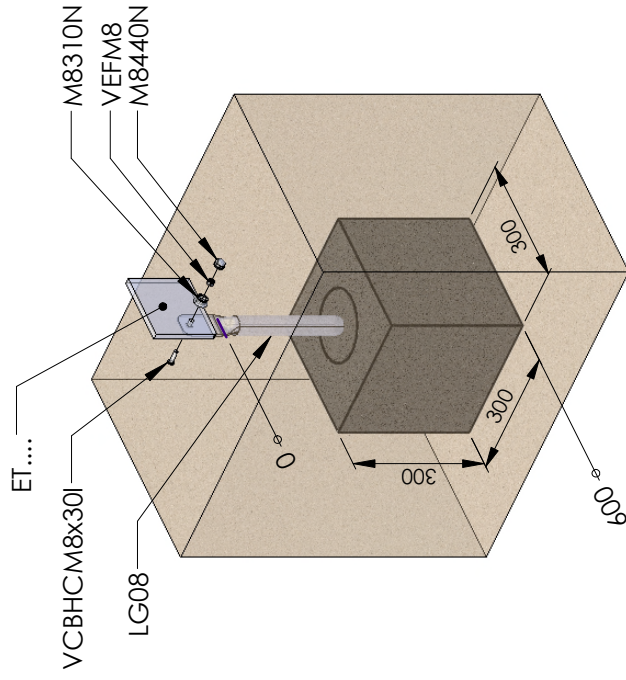
### B.... A



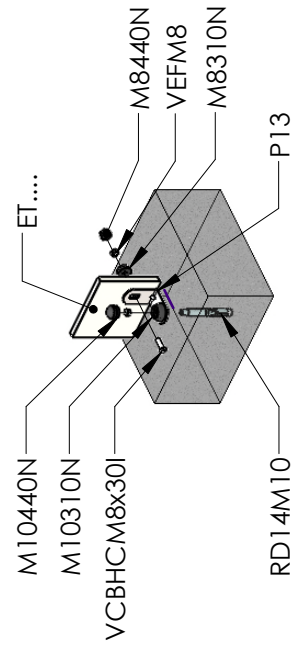
### B.... B



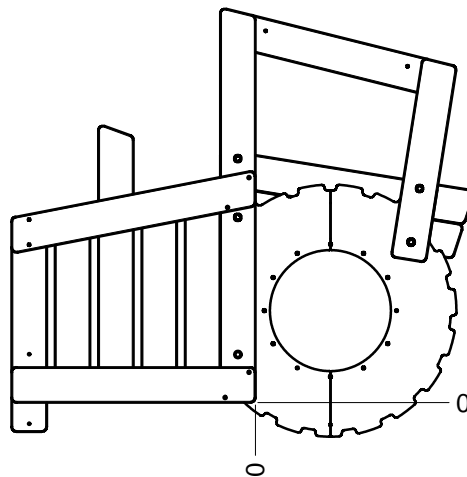
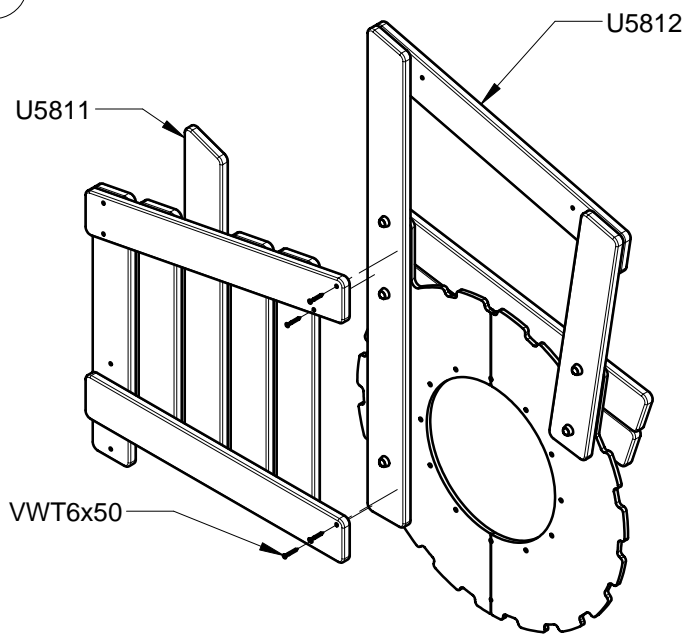
### ET.... A



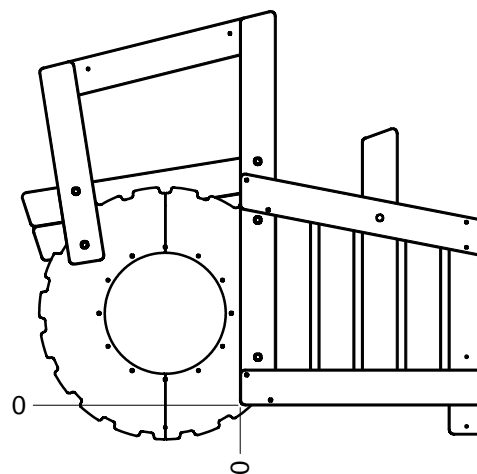
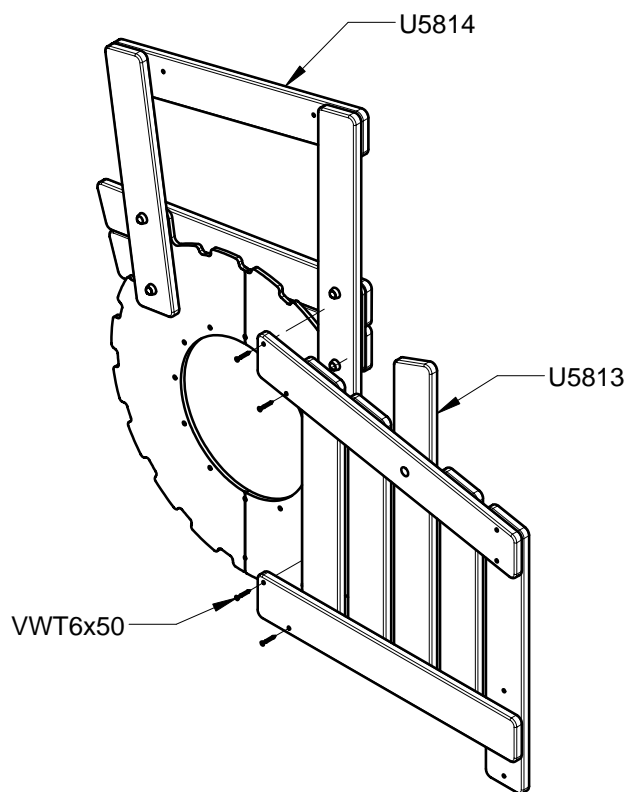
### ET.... B



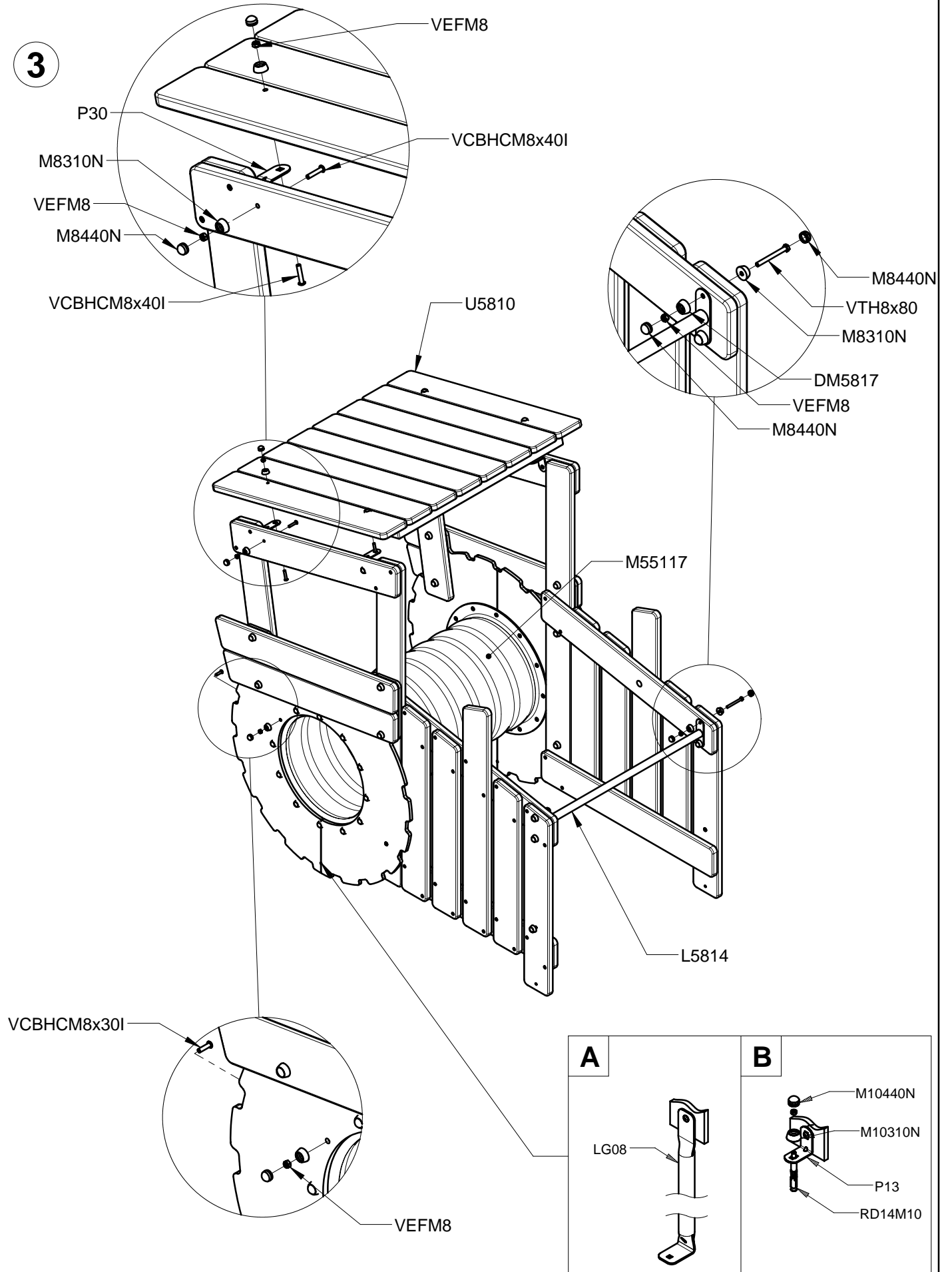
1



2



3





4

