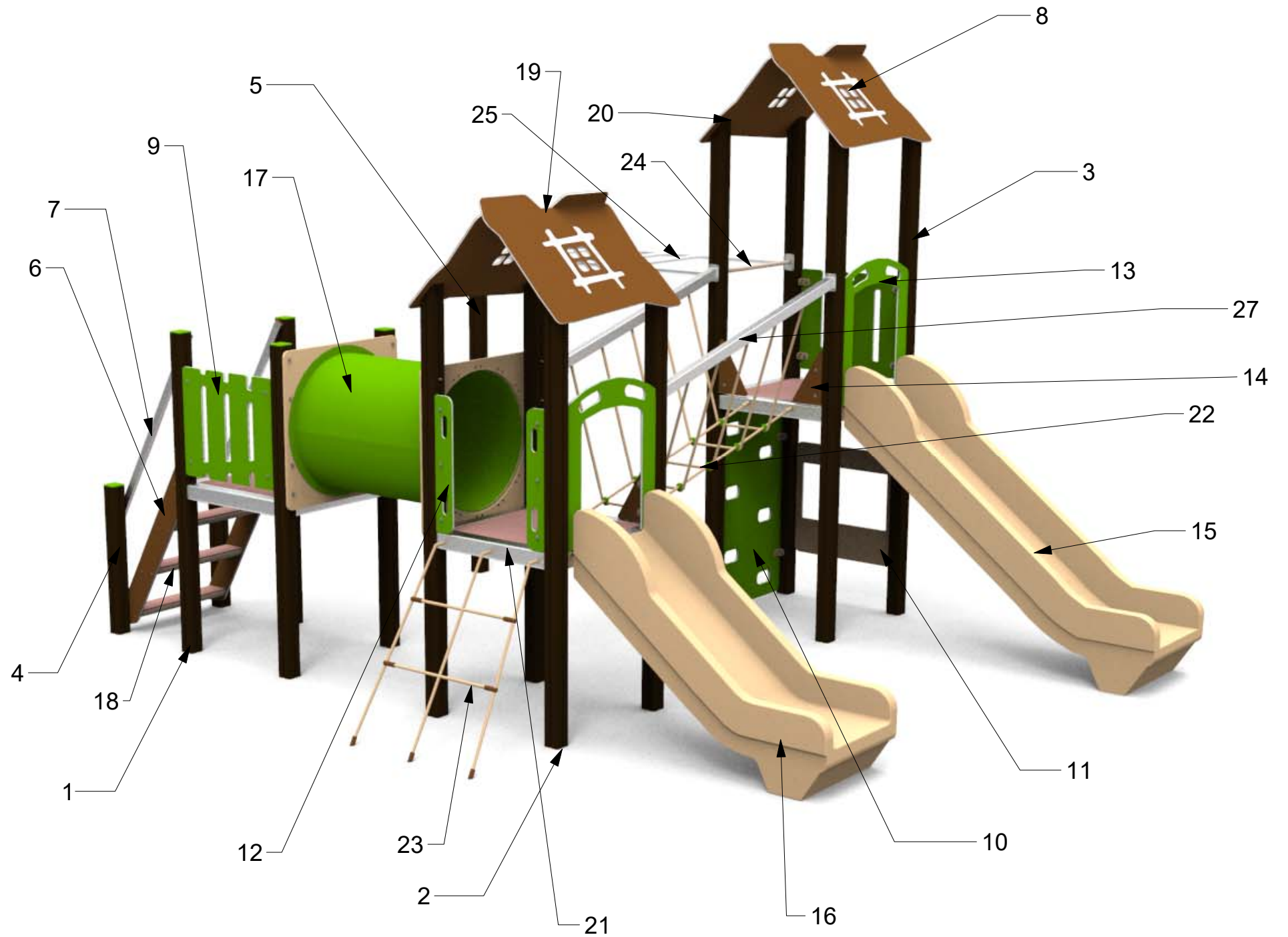


A7561 WILLY

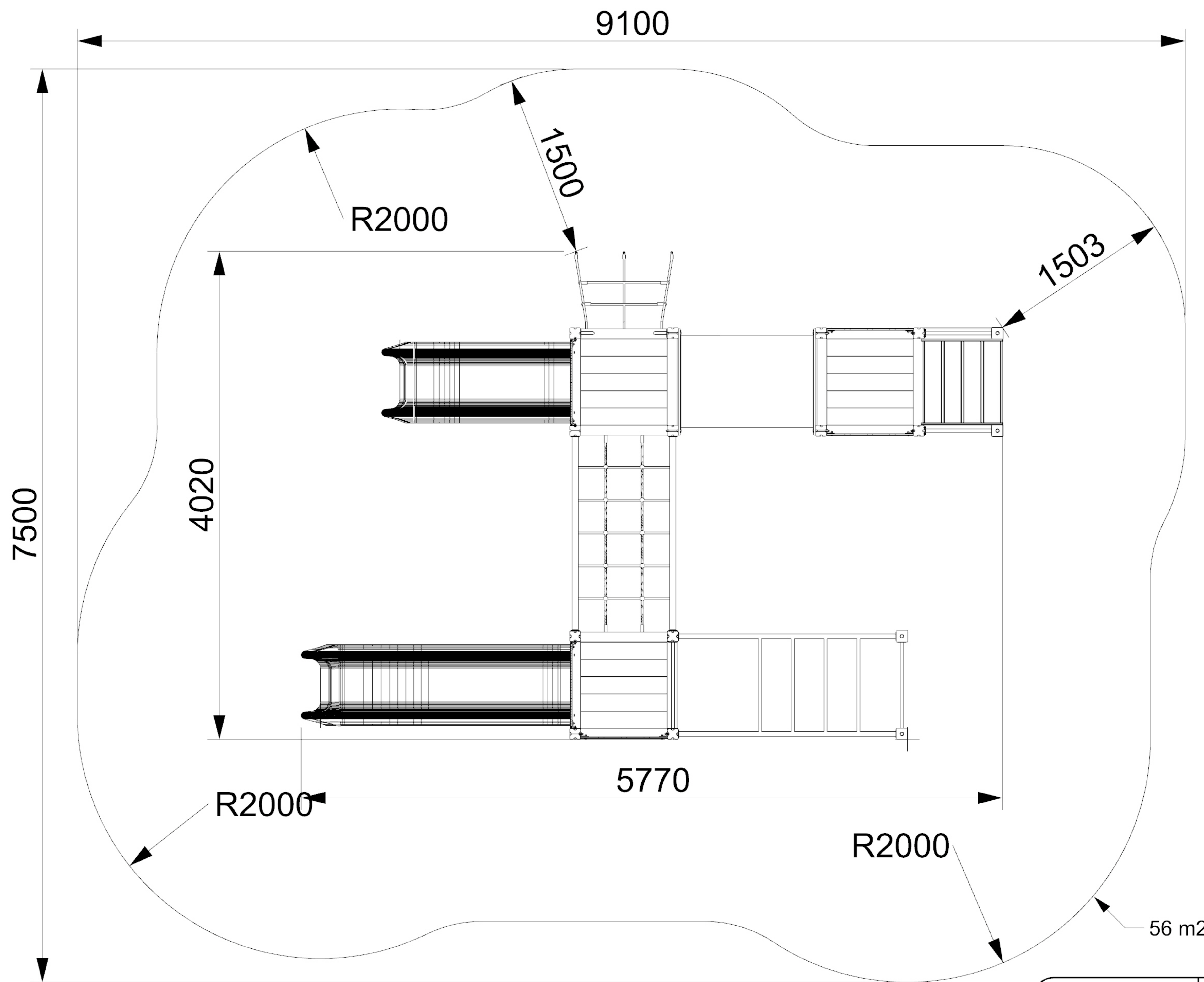



Parts list		pcs	col.	connecting material	pcs
A7561 WILLY (anchors)		pcs	col.	connecting material	pcs
1	SAPA 1940mm	4		cap	4
2	SAPA 2350mm	4		-	-
3	SAPA 3080mm	4		-	-
4	SAPA Stairs 980mm	2		cap	2
5	SAPA RH1+RH2 2270	2		cap	2
6	HDPE Stairs 990 19mm	1		M6x30 imb	4
				M8x35V+safe nut M8	2+2
				Plastic cover M8	2
7	ST. Steel Handrail 50x20mm	2		M8x120V+cover nut M8 base M8	4+4 4
8	HDPE Roof window 12mm	2		-	-
9	HDPE Panel Classic 15mm	3		M8x20V + M8x30V	12+12
				L-connector	12
				cover nut M8+baseM8	24+24
10	HDPE Climbing wall 19mm	1		M8x20V + M8x35V	4+4
				L-connector	4
				cover nut M8+baseM8	8+8
11	HDPE TV Panel 15mm	1		M8x20V + M8x30V	4+4
				L-connector	4
				cover nut M8+baseM8	8+8
12	HDPE Panel for Climbing Pole 15mm	2		M8x20V + M8x30V	6+6
				L-connector	6
				cover nut M8+baseM8	12+12
13	HDPE Panel Slide 15mm	2		M8x20V + M8x30V	12+12
				L-connector	12
				cover nut M8+baseM8	24+24
14	HDPE Triangels for Bridge 15mm	4		M8x20V + M8x30V	8+8
				L-connector	8
				cover nut M8+baseM8	16+16
15	PE Slide 1400 (need to drill holes D11mm)	1		Anchor M8	2
				M8x20 imb + base M8	3+3
16	PE Slide 1000	1		Anchor M8	2
				M8x30imb + base M8	2+2
17	PE Tunel	1		M10x120	12
				baseM10+cover nutM10	12+12
18	ST. steel Stairs	4		M6x35 imb	16
19	ST. steel Roof connector	2		M6x20V	8
				cover nut M6+baseM6	8+8
20	ST. steel Roof connector to tower	4		M6x20imb	16
				M6x20V	12
				cover nut M6+baseM6	12+12
21	ST. Steel Platform 874mm	3		M6x20 + base M6	48+48
22	ROPE Bridge	1			-
23	ROPE ladder 990mm	1		Anchor for rope	1
24	KOMAXIT handlebar 710	1		M6x20imb	8
25	KOMAXIT Monkey bar D25x4	1		M6x20imb	16
26	KOMAXIT Ladder D25x4	1		M6x20imb	16
27	KOMAXIT Handrail for Bridge (5 holes)	2		M6x20imb	16
28	Label	1		tex 3,9x19	4
	Anchors	16		M8x100 + cov.nutM8+base	16+16+16



List of parts- English					
A7561 WILLY					
		pcs	col.	connecting material	pcs
1	SAPA 2250mm	4		cap	4
2	SAPA 2660mm	4		-	-
3	SAPA 3400mm	4		-	-
4	SAPA Stairs 1300mm	2		cap	2
5	SAPA RH1+RH2	2		cap	2
6	HDPE Stairs 990 19mm	1		M6x30 imb	4
				M8x35V+safe nut M8	2+2
				Plastic cover M8	2
7	HDPE Handrail 19mm	1		M8x120V+cover nut M8	4+4
				base M8	4
8	HDPE Roof window 12mm	2		-	-
9	HDPE Panel Classic 15mm	3		M8x20V + M8x30V	12+12
				L-connector	12
				cover nut M8+baseM8	24+24
1	HDPE Climbing wall 19mm	1		M8x20V + M8x35V	4+4
				L-connector	4
				cover nut M8+baseM8	8+8
1	HDPE TV Panel 15mm	1		M8x20V + M8x30V	4+4
				L-connector	4
				cover nut M8+baseM8	8+8
1	HDPE Panel for Climbing Pole	1		M8x20V + M8x30V	6+6
				L-connector	6
				cover nut M8+baseM8	12+12
1	HDPE Panel Slide 15mm	2		M8x20V + M8x30V	12+12
				L-connector	12
				cover nut M8+baseM8	24+24
1	HDPE Triangels for Bridge 15mm	4		M8x20V + M8x30V	8+8
				L-connector	8
				cover nut M8+baseM8	16+16
1	PE Slide 1400 (need to drill holes D11mm)	1		Anchor M8	2
				M8x20 imb + base M8	3+3
1	PE Slide 1000	1		Anchor M8	2
				M8x30imb + base M8	2+2
1	PE Tunel	1		M10x120	12
				baseM10+cover nutM10	12+12
1	ST. steel Stairs	4		M6x35 imb	16
1	ST. steel Roof connector	2		M6x20V	8
				cover nut M6+baseM6	8+8
2	ST. steel Roof connector to tower	4		M6x20imb	16
				M6x20V	12
				cover nut M6+baseM6	12+12
2	ST. Steel Platform 874mm	3		M6x20 + base M6	48+48
2	ROPE Bridge	1			-
2	ROPE ladder 990mm	1		Anchor for rope	1
2	KOMAXIT handlebar 710	1		M6x20imb	8
2	KOMAXIT Monkey bar D25x4	1		M6x20imb	16
2	KOMAXIT Ladder D25x4	1		M6x20imb	16
2	KOMAXIT Handrail for Bridge (5	2		M6x20imb	16
2	Label	1		tex 3,9x19	4



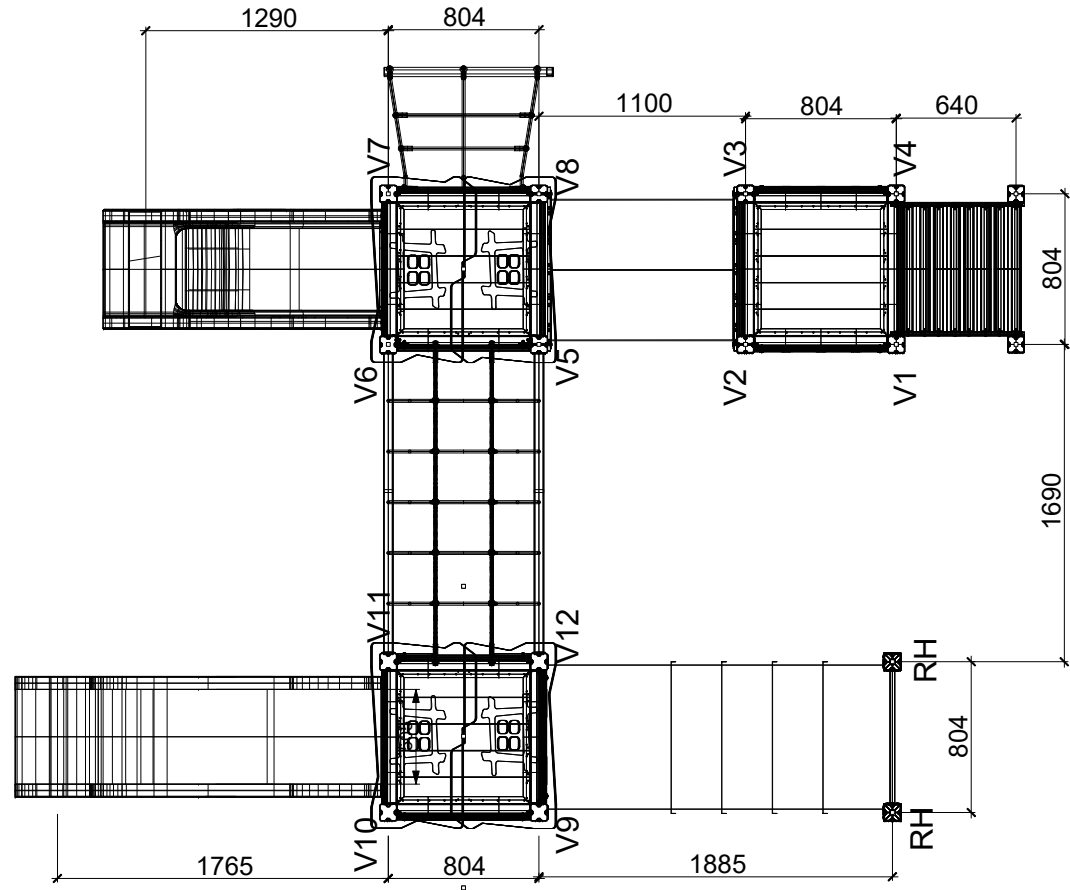


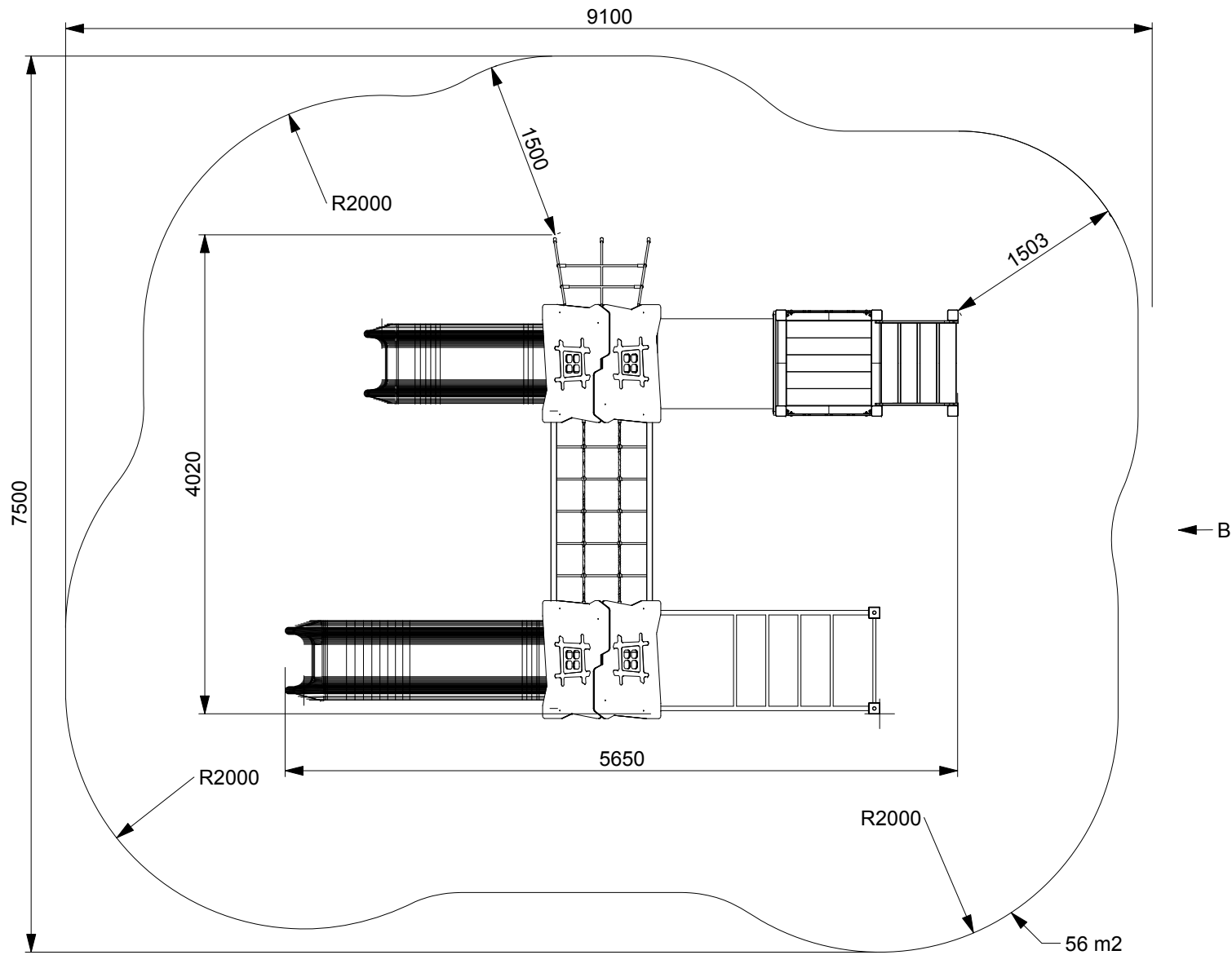
View	TOP	Scale	1:50		
Design	FUN TIME s.r.o.	Date	18/11/2016		Title
Made by	FUN TIME s.r.o.			Serie	ALUPLAY

8998

A7561 WILLY Ground plan


7520

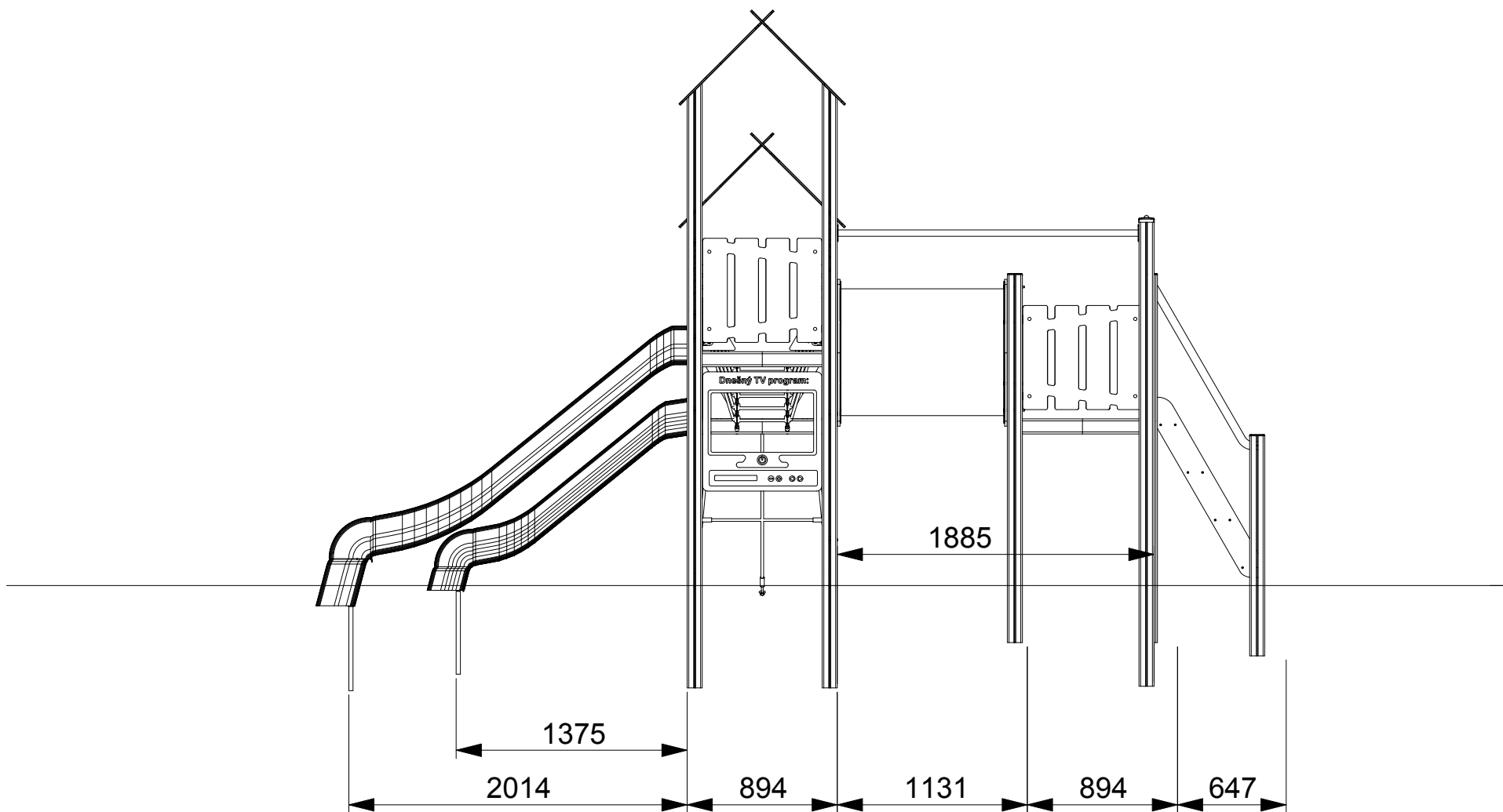





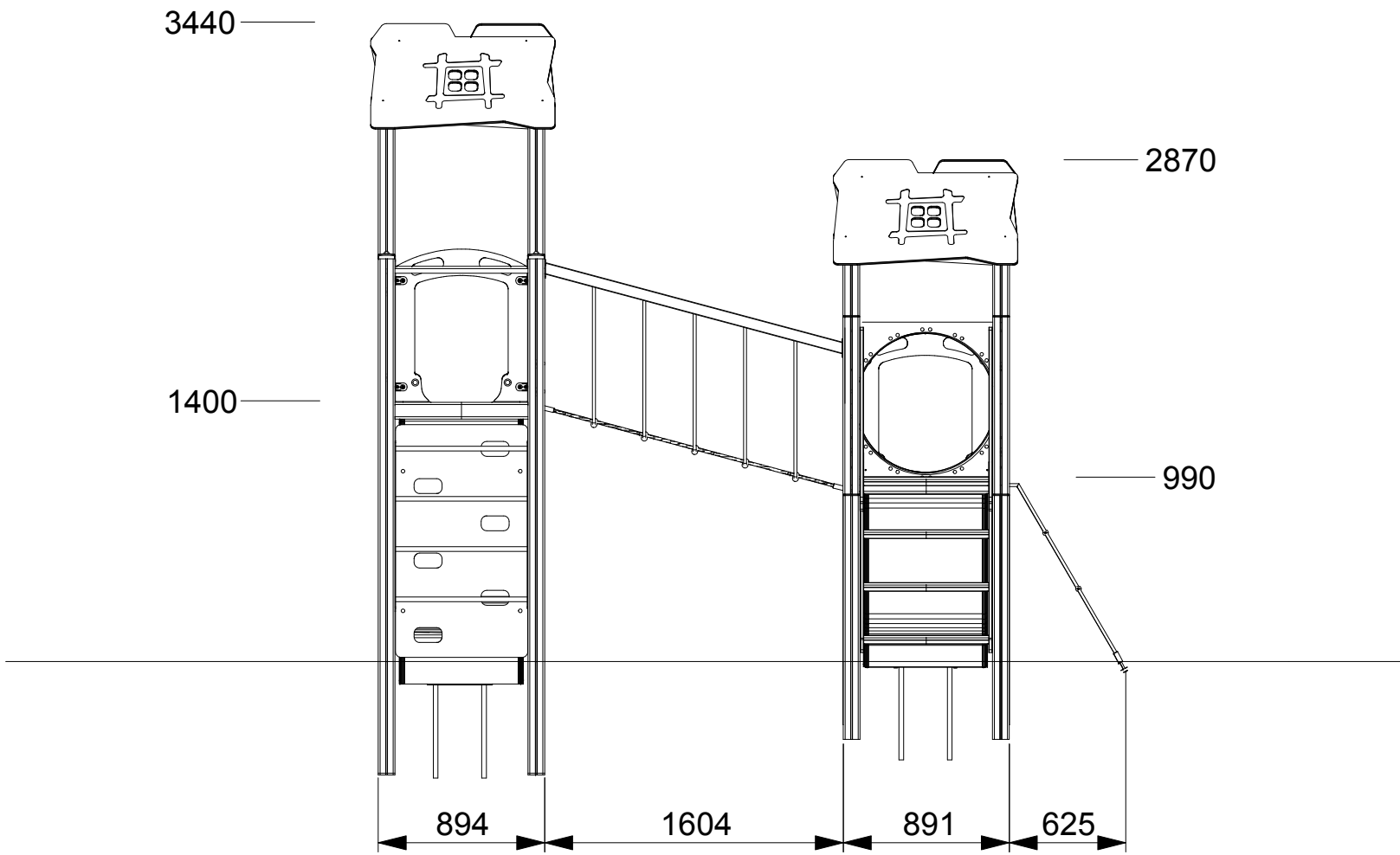
A ↑


← B

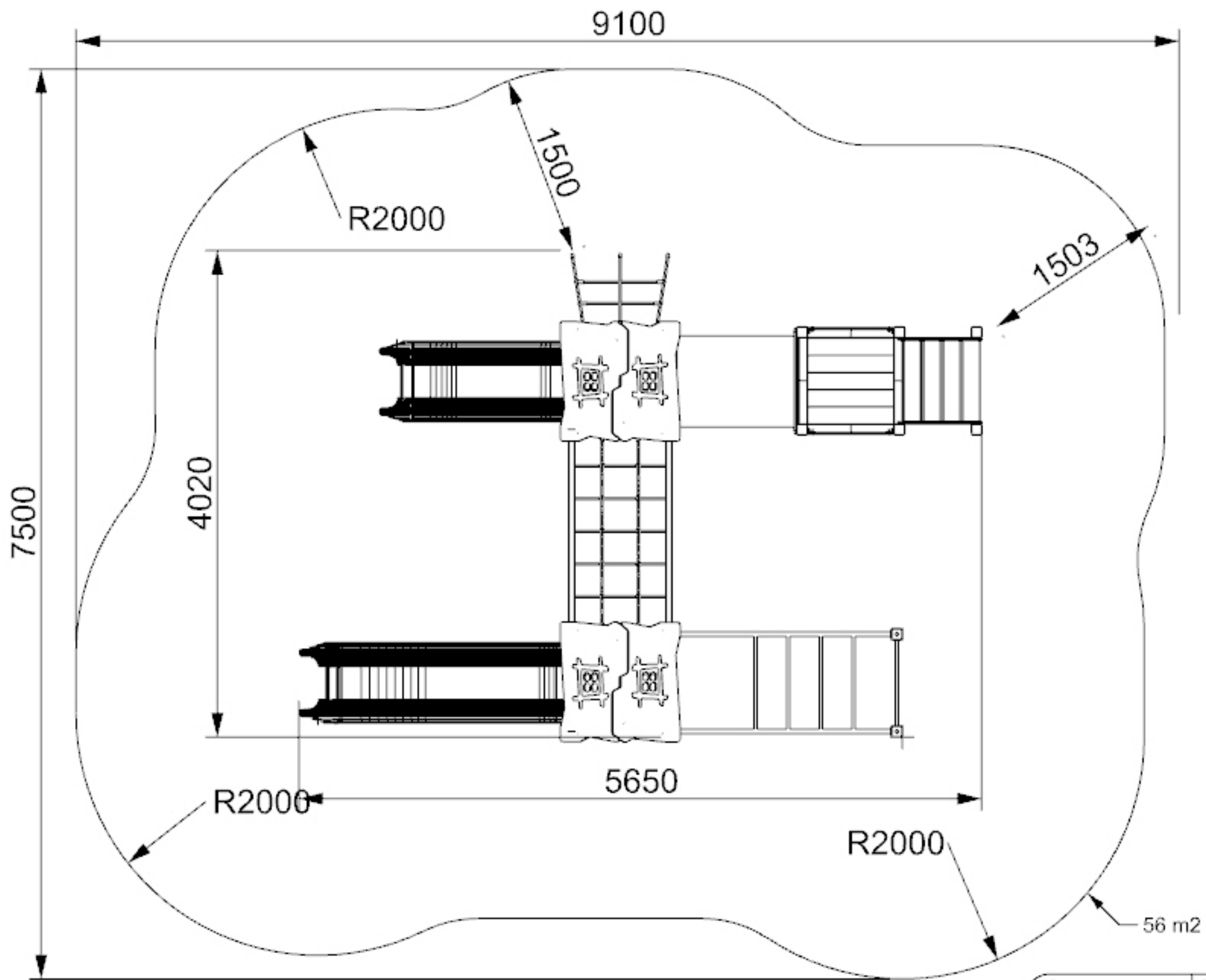
Podorys		
Dizajn FUN TIME s.r.o.	Dátum 16/05/2017	
Výrobca FUN TIME s.r.o.		TYP ALUPLAY




Pohľad A		
Dizajn	Dátum	
FUN TIME s.r.o.	16/06/2017	PRVOK A7561SG
Výrobca		TYP ALUPLAY
FUN TIME s.r.o.		



Pohľad B		
Dizajn FUN TIME s.r.o.	Dátum 16/06/2017	
Výrobca FUN TIME s.r.o.		TYP ALUPLAY



View	TOP	Scale	1:50		
Design	FUN TIME s.r.o.	Date	18/11/2016		Title
Made by	FUN TIME s.r.o.			Series	ALUPLAY

KOMAXIT NEREZ	SAPA REZ	SAPA CNC	SAPA NIT	HDPE CNC	LANÁ	ZO SKLADU	Zoznam dielov	ks	far.	SPOJOVACI MATERIAL	ks
							A7561 WILLY				
							1 SAPA 2250mm	4		cap	4
							2 SAPA 2660mm	4		-	-
							3 SAPA 3400mm	4		-	-
							4 SAPA Schody 1300mm	2		cap	2
							5 SAPA RH1+RH2	2		cap	2
							6 HDPE Schody 990 19mm	1		M6x30	4
										M8x35V+poist.mat.M8	2+2
										krytka M8	2
							7 NEREZ Zabradlie 50x20mm	1		M8x120V+kr.mat.M8	4+4
										podlozka M8	4
							8 HDPE Strecha Okno gravir	2		-	-
							9 HDPE Bocnica klasik	3		M8x20V + M8x30V	12+12
										L-ko	12
										podl.M8+kr.mat.M8	24+24
							10 HDPE Lezecky Plast 1400 19mm	1		M8x20V + M8x35V	4+4
										L-ko	4
										podl.M8+kr.mat.M8	8+8
							11 HDPE TV Panel 15mm	1		M8x20V + M8x30V	4+4
										L-ko	4
										podl.M8+kr.mat.M8	8+8
							12 HDPE Latky Vystup povraz 15mm	1		M8x20V + M8x30V	6+6
										L-ko	6
										podl.M8+kr.mat.M8	12+12
							13 HDPE Obluk smyklavka 15mm	2		M8x20V + M8x30V	12+12
										L-ko	12
										podl.M8+kr.mat.M8	24+24
							14 HDPE Trojuholníky 15mm	4		M8x20V + M8x30V	8+8
										L-ko	8
										podl.M8+kr.mat.M8	16+16
							- HDPE Tunel koniec 15mm	2		M8x30TX	28
										kryt.mat.M8+podl.M8	28+28
							- HDPE Latka Tunel 10mm	2		M6x30	4
										kryt.mat.M6+podl.M 6	2+2
							15 PE Smyklavka 1400	1		kotva M8	2
										M8x20imb + podl.M8	3+3



KOMAXIT NEREZ	SAPA REZ	SAPA CNC	SAPA NIT	HDPE CNC	LANÁ	ZO SKLADU	Zoznam dielov	ks	far.	SPOJOVACI MATERIAL	ks
							16	PE Smyklavka 1000	1	kotva M8	2
										M8x30imb + podl.M8	2+2
							17	PE Tunel	1	M10x120	12
										podl.M10+kr.mat.M10	12+12
							18	NEREZ Schodnice	4	M6x35	16
							19	NEREZ Spojka strechy	2	M6x20V	8
										podl.+kr. mat.	8+8
							20	NEREZ Podpera strechy	4	M6x20imb	16
										M6x20V	12
										podl.+kr.mat.	12+12
							21	NEREZ Podlaha	3	M6x16	48
							22	Lano most	1		-
							23	Lano vystup	1	kotva	1
							24	KOMAXIT Priečka 710	1	M6x20imb	8
							25	KOMAXIT Ručkovacia hrazda	1	M6x20imb	16
							26	KOMAXIT Rebrina	1	M6x20imb	16
							27	KOMAXIT Zbrana LP	2	M6x20imb	16
							28	Stitok	1	tex 3,9x19	4