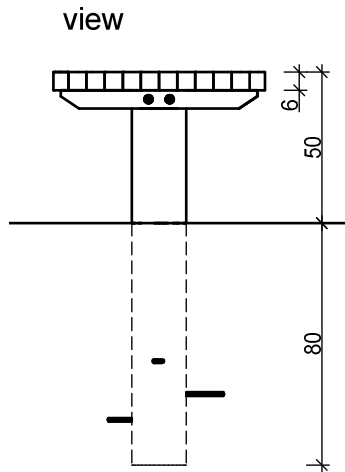
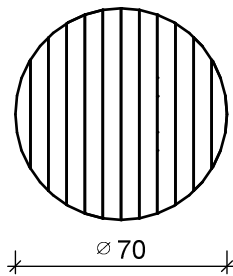


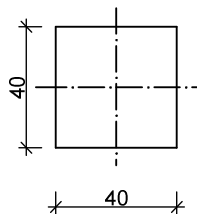
Baking tables » ... «



topview



foundation



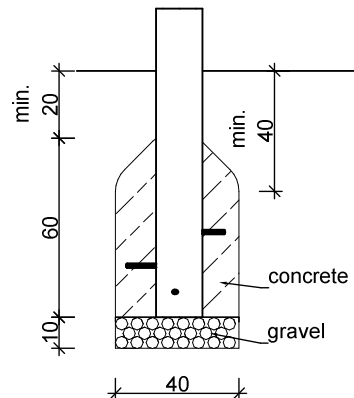
8.2. ... depending on the selection

foundation detail

-without scale-

-minimum soil class III;
check compression or
make foundation bigger-

pole



The minimum area must be free of obstacles to/on which the user can during his movement unexpectedly fall or crash. Hard and sharp objects, as well as trip-surfaces count as obstacles.

project:	Baking tables » ... «	scale:	A4; 1:25	page:	1/1
address:		date:	24.09.2020	fall height	max. ---
advisor:	8.2. ...	editor:	V.Liehr	<p>Master enterprice of woodcarving handicrafts © SIK-Holzgestaltungs GmbH</p>	
article or pos. ID:		order no.:			
project ID:		drawing type	assembly		

ASSEMBLING INSTRUCTION

8.2 Baking table (generally)

Scope of delivery

Amount	Denomination	Measure
1	baking table	45 kg
Sum	ca.	45 kg

All weights are approximate. The heaviest component is highlighted in bold.

Tools

- spade, shovel and spirit level
- socket wrench 17 / 19 mm, screwdriver with insert Torx Bit (TX 10-30)
- 1 person 1 h
- approx. concrete 0.1 m³ C 20/25

Assembling

- Determine the foundation position according to plan. **Measures are to be checked by the client/customer, because of the natural growth forms of the wood.**
- Digging hole for the backing table and depending on the ground conditions, a drainage layer, for example gravel layer 10 cm in order to prevent stagnant moisture.
- **Installation-hole (cut) on the state posts are to be considered.**
- Lift the baking table into the prepared hole, to adjust by means of spirit level and make them solid.

Attention: if not adequately secured play towers or attachment parts may **be tipping!**

- Manufacturing foundations according to drawing.
- After 3-5 days of curing time, tightening all screw joints which fill game surface again and clear the game surface for playing.
- Transportation braces and installation damage are to be removed after installation on site, grind and paint damaged areas.
- **Notice:** concrete needs about 28 days in order completely to harden.

Security guidelines

During assembly and transport on site, play towers and/or attachment parts must always be adequately secured, either through technology or through attached transportation bracing.

Preventive maintenance instructions

An operational check of the equipment must be carried out 2 weeks after installation. Here the main attention should be paid to tight screw joints and stability. In general the equipment should be checked on a regular basis. A visual routine inspection should be carried out on a weekly basis. An operative inspection should be performed every 1-3 months and the general or main inspection has to happen on an annual basis. We recommend to check stability of posts once a year and to expose foundations, let them dry and to repaint them also below ground level above the foundation with a solvent free glaze. **(Further information concerning maintenance can be found in our *Checklist for Maintenance/ Inspection*, in our *General Maintenance Notes* and also in our catalogues, as well as on our website www.sik-holz.de/en)**