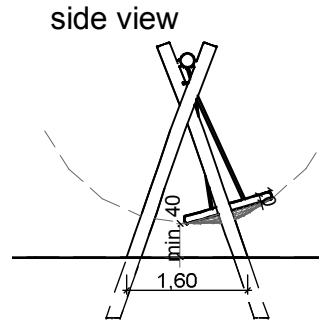
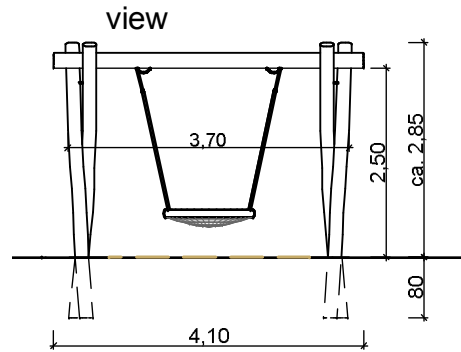
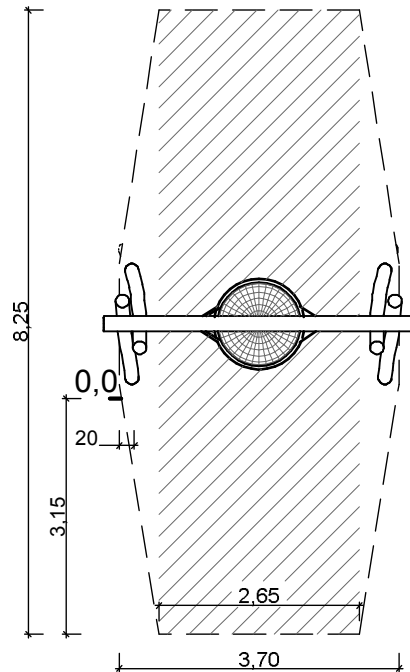


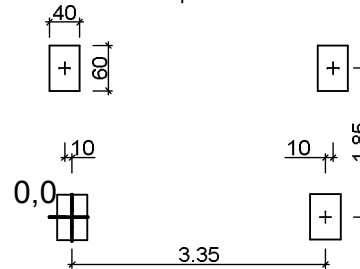
swing with basket I



topview with minimum safety area



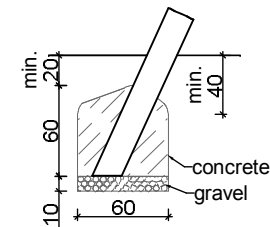
foundation plan
check measurements
on building site
because of crooked trees different
measures are possible



foundation detail
without scale

minimum soil class III; check compression
or make foundation bigger

A-post pole



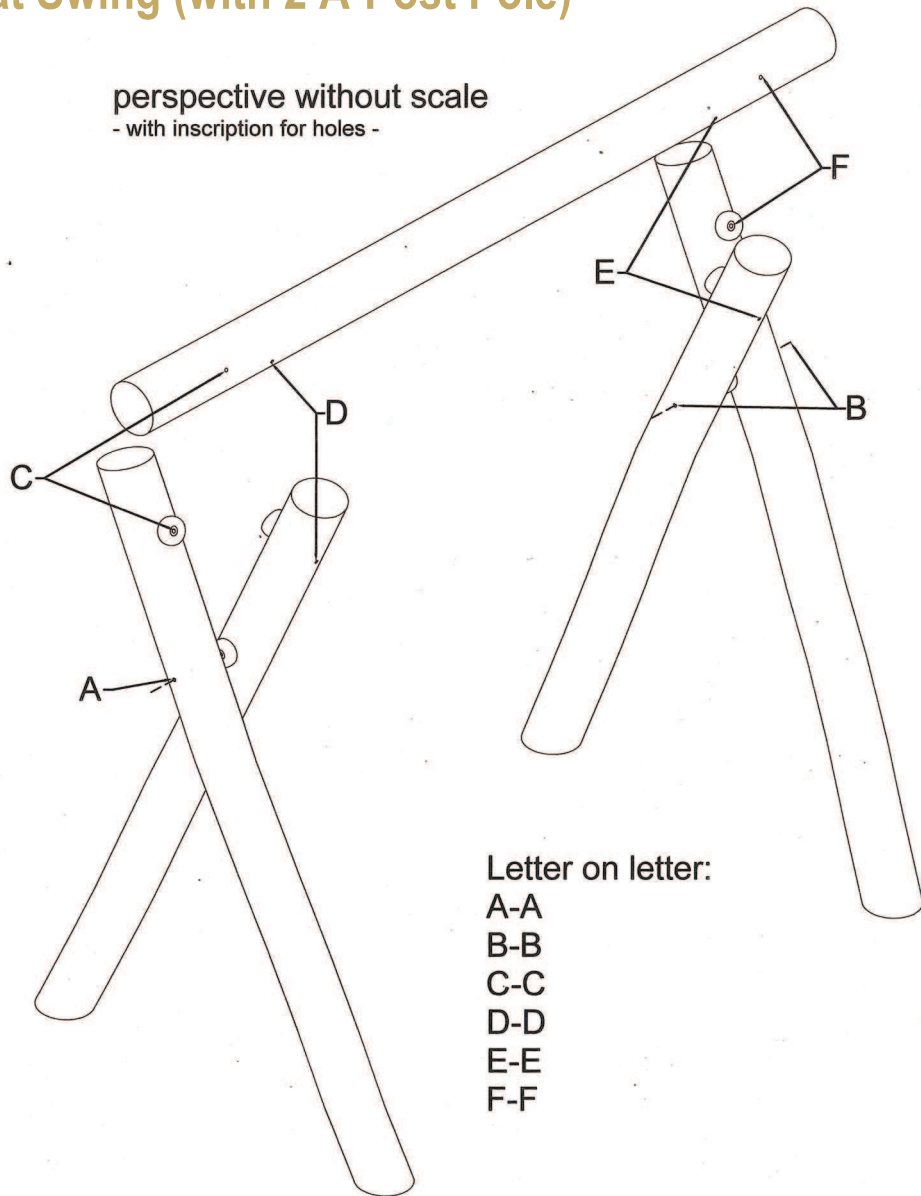
project:	swing with basket I	scale:	A4; 1:100	page:	1/2
address:		date:	04.06.2018		
editor:	V.Liehr				
article ID:	4.3.1				
project ID:	assembly				



Master enterprise of woodcarving handicrafts
© SIK-Holzgestaltungen GmbH

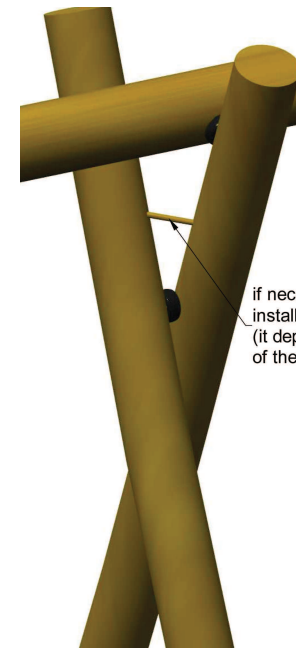
Seat Swing (with 2 A-Post Pole)

perspective without scale
- with inscription for holes -



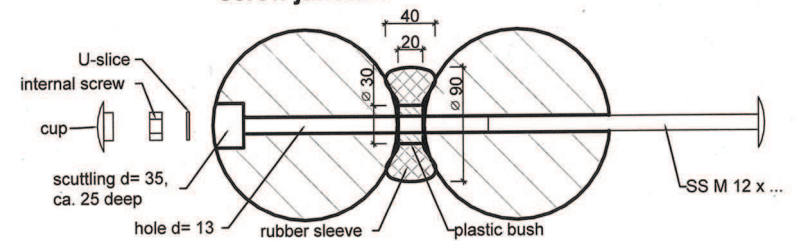
Letter on letter:

- A-A
- B-B
- C-C
- D-D
- E-E
- F-F



if necessary
install further rounded woods
(it depends on the number
of the holes)

principle sketch without scale
screw juncture



project:	Seat Swing (with 2 A-Post Pole)	scale:	A4;---	page:	2/2
address:		date:	19.12.2017		
editor:	F. Becker				
article ID:	4. ...				
project ID:	assembly-detail				



Master enterprise of woodcarving handicrafts
© SIK-Holzgestaltungs GmbH