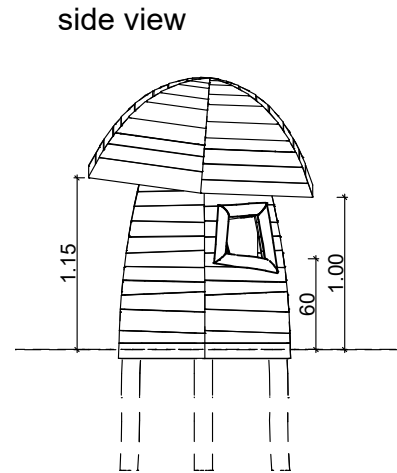
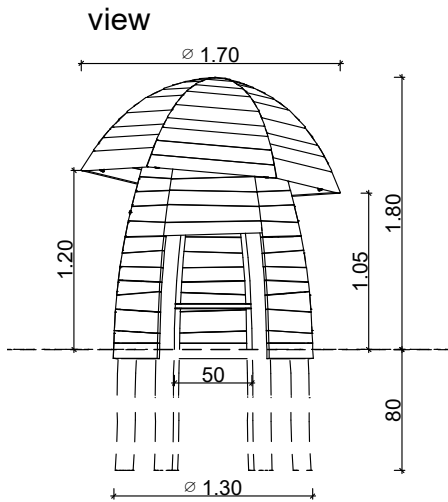
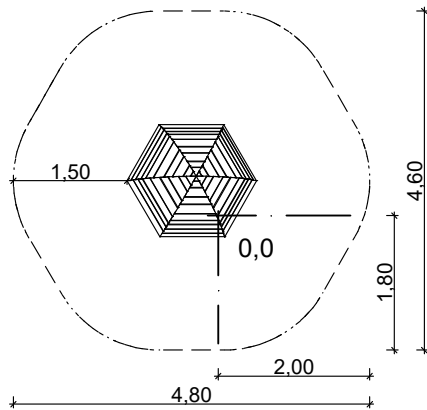


Play House "Boletus"

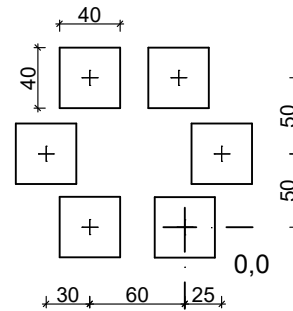


topview M 1:100
with minimum safety area



foundation plan
check measurements
on building site

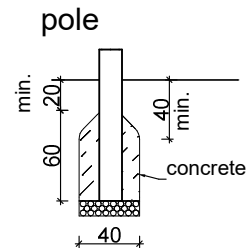
because of crooked trees different
measures are possible



Optional: Roof sculpture »Snail«


foundation detail
without scale

minimum soil class III; check compre:
or make foundation bigger



wood certification: see order

The minimum area must be free of obstacles to/on which the user can during his movement unexpectedly fall or crash.
Hard and sharp objects, as well as trip-surfaces count as obstacles.

project:	Play House "Boletus"	scale:	A4; 1:50	page:	1/1
address:		date:	07.04.2022	fall height	max. ---
adviser:		editor:	V.Liehr	 Master enterprice of woodcarving handicrafts © SIK-Holzgestaltungs GmbH	
article ID:	3.1.43	order no.:			
project ID:		drawing type	assembly		