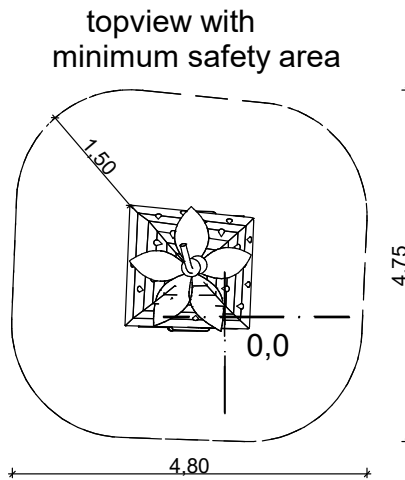
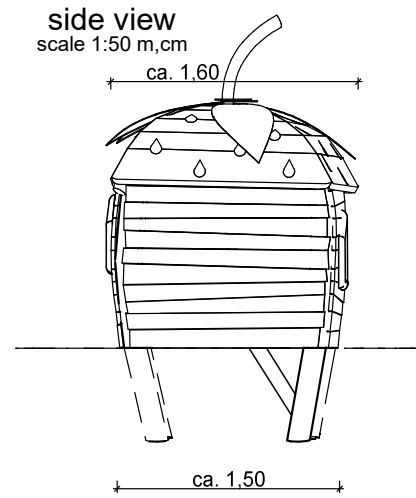
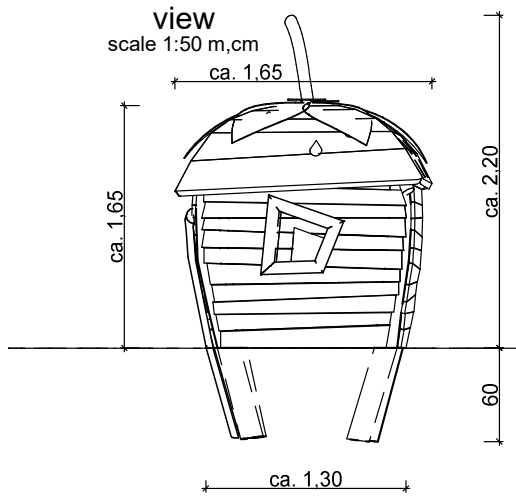
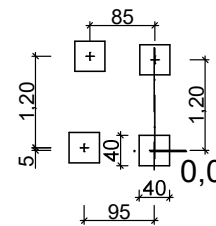


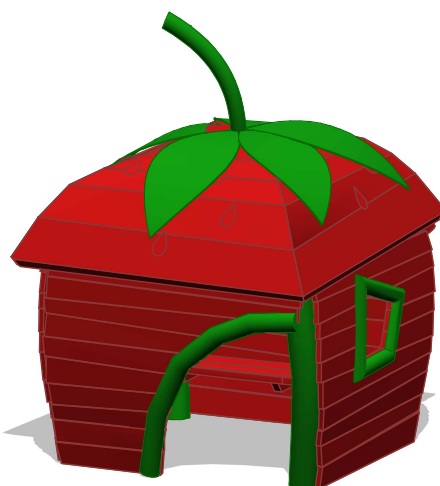
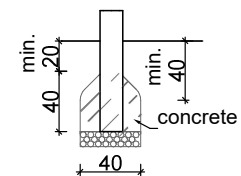
Playhouse »Strawberry«




foundation plan
check measurements
on building site
because of crooked trees different
measures are possible



foundation detail
-without scale-
-minimum soil class III;
check compression or
make foundation bigger-
pole



The minimum area must be free of obstacles to/on which the user can during his movement unexpectedly fall or crash. Hard and sharp objects, as well as trip-surfaces count as obstacles.

project:	Playhouse »Strawberry«	scale:	A4; 1:100	page:	1/1
address:		date:	13.09.2022	fall height:	---
advisor:		editor:	V.Liehr	 <p>Master enterprise of woodcarving handicrafts © SIK-Holzgestaltungs GmbH</p>	
article ID:	3.1.32	order no.:			
project ID:		drawing type:	assembly		