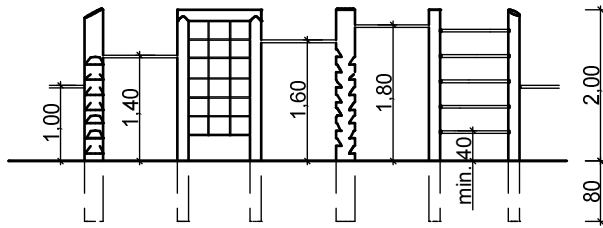
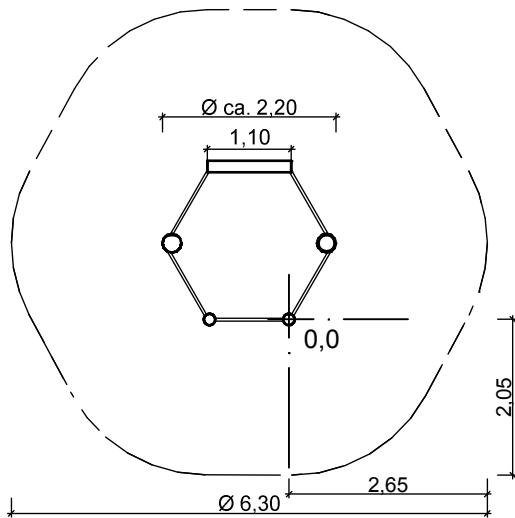


Climbing Combination 6-cornered

view
-unwinding-



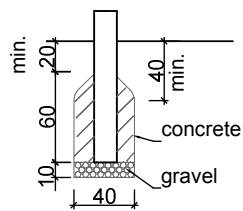
topview with
minimum safety area



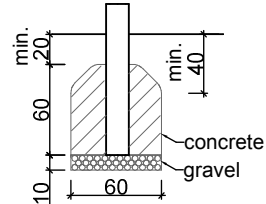
foundation detail without scale

minimum soil class III; check compression
or make foundation bigger

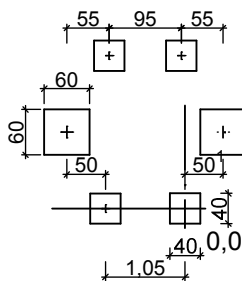
pole




climbing pole



foundation plan
check measurements
on building site
because of crooked trees different
measures are possible



project:	Climbing Combination 6-cornered	scale:	A4; 1:100	page:	1/1
address:		date:	06.07.2017		
editor:	J. Naumann	 Master enterprise of woodcarving handicrafts © SIK-Holzgestaltungs GmbH			
article ID:	2.8				
project ID:	assembly				

ASSEMBLING INSTRUCTION

2.8 Climbing Combination Hexagonal

Scope of delivery

Amount	Denomination	Measure
2	frames (climbing net wall, ladder wall) at 120 kg	240 kg
2	climbing posts at 115 kg	230 kg
4	bars (stainless steel) at 5 kg	20 kg
Sum		approx. 490 kg

All weights are approximate. The heaviest component is highlighted in bold.

Tools

- spade, shovel, tape measure, spirit level, ladder
- socket wrench 17 / 19 mm, screwdriver with insert Torx Bit (TX 10-30)
- 2 persons (2 installers at 6 h), wheel loader with palette fork, mini excavators
- approx. concrete 0.7 m³ C 20/25

Assembling

- First, the playing surface (security area) should be measured, set the point (height) and the start point (frames) can be determined.
- Determine the foundation positions according to plan. **Measures are to be checked by the client/customer, because of the natural growth forms of the wood.** To determine the position of the foundations, use the attachment parts.
- Digging holes depending on the section for the play unit and depending on the ground conditions a drainage layer, for example gravel layer 10 cm in order to prevent stagnant moisture.
- **Installation depths (cut, mark) on the post/ post shoe and/ or slide are to consider.**
- Lift the frames and climbing posts one after another into the prepared holes, to adjust by means of spirit level and make them solid.

Attention: if not adequately secured play towers or attachment parts may **be tipping!**

- Bars one after another according to marking (Number on number and/or letter on letter / numbers indicate in brackets the screw length) mount.
- After everything is assembled and aligned, the foundation according to the drawing can be properly completed.
- After 3-5 days of curing time, tightening all screw joints and which fill game surface again.
- Transportation braces and installation damage are to be removed after installation on site, grind and paint damaged areas.
- **Notice:** concrete needs about 28 days in order completely to harden.

Security guidelines

During assembly and transport on site, play towers and/or attachment parts must always be adequately secured, either through technology or through attached transportation bracing.

Required safety areas/ falling space around equipment are indicated on the installation drawings.

Playground equipment with a potential height of fall of more than 600 mm and/or a forced movement require an impact attenuating/ shock-absorbing surface in the whole impact area below them according to the **EN 1176 and EN 1177**. (Non-shock-absorbing undergrounds are for example without limitation: bricks, stones, concrete, bitumen and wood.)

Preventive maintenance instructions

An operational check of the equipment must be carried out 2 weeks after installation. Here the main attention should be paid to tight screw joints and stability. In general the equipment should be checked on a regular basis. A visual routine inspection should be carried out on a weekly basis. An operative inspection should be performed every 1-3 months and the general or main inspection has to happen on an annual basis. We recommend to check stability of posts once a year and to expose foundations, let them dry and to repaint them also below ground level above the foundation with a solvent free glaze. **(Further information concerning maintenance can be found in our Checklist for Maintenance/ Inspection, in our General Maintenance Notes and also in our catalogues, as well as on our website www.sik-holz.de/en)**