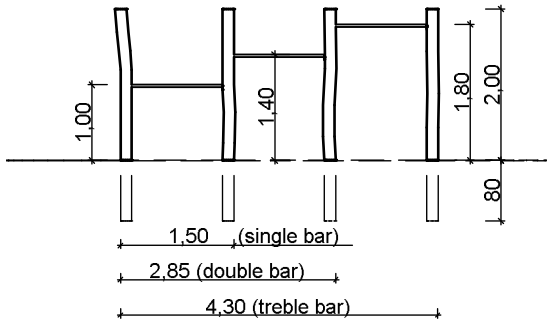


horizontal bars

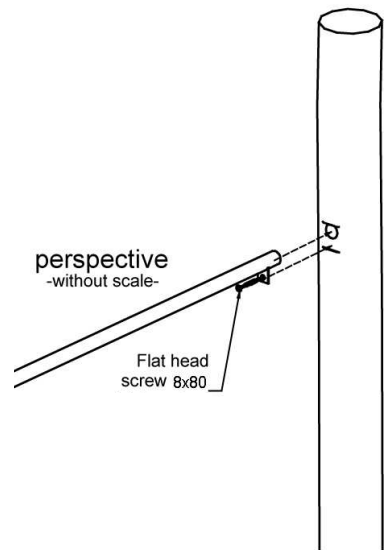
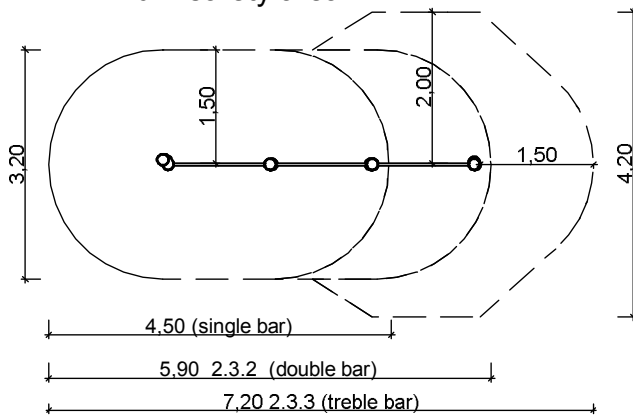


for example double bar

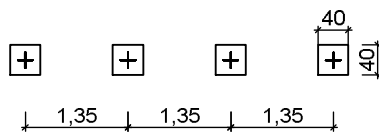
view



topview with minimum safety area

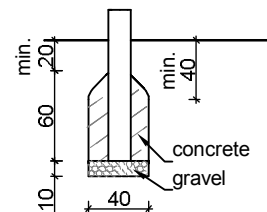


foundation plan
check measurements
on building site
because of crooked trees different
measures are possible



foundation detail
-without scale-

-minimum soil class III;
check compression or
make foundation bigger-



project:	horizontal bars	scale:	A4; 1:100	page:	1/1
address:		date:	23.06.15		
editor:	V.Liehr	<p>Master enterprise of woodcarving handicrafts © SIK-Holzgestaltungs GmbH</p>			
article ID:	2.3.1 / 2/3				
project ID:	assembly				