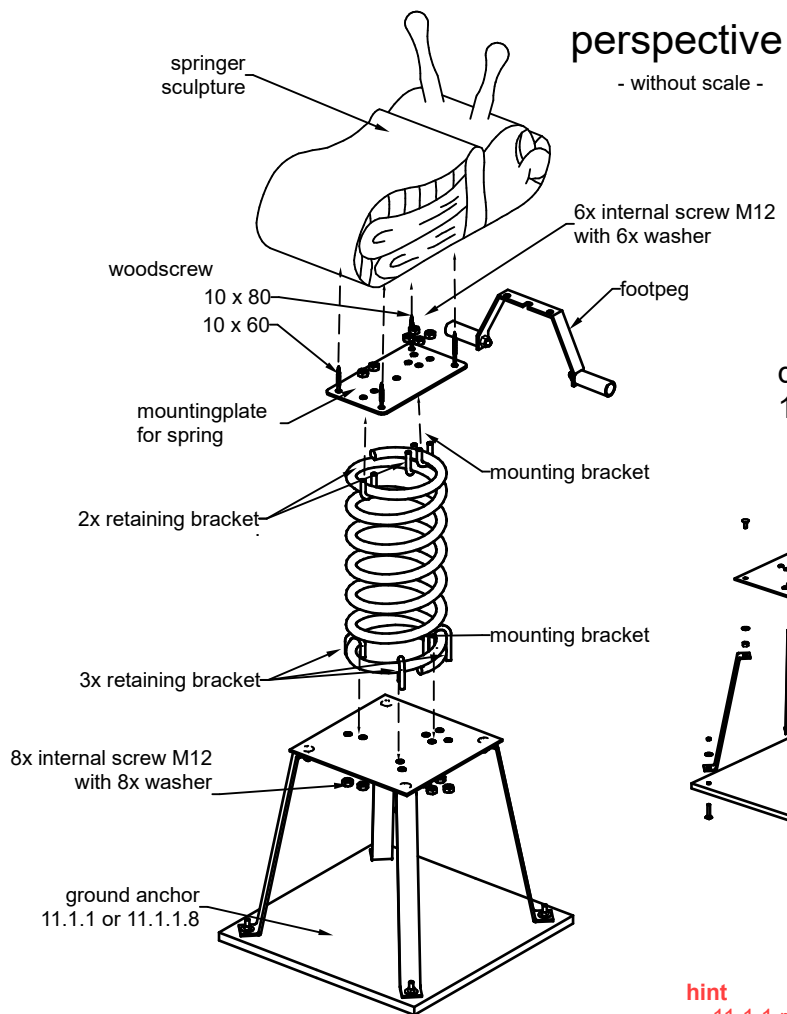


Springer "bee"



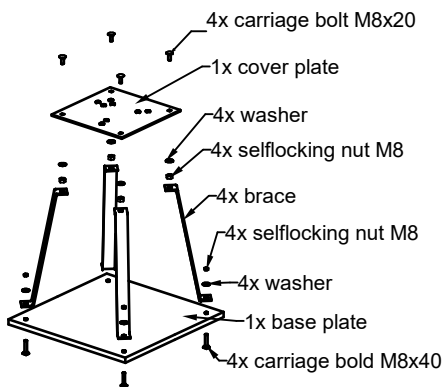
detail fitting springer



perspective

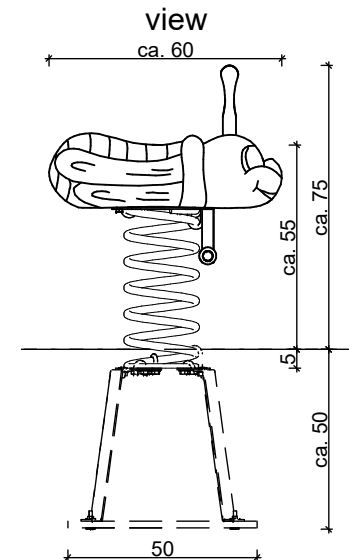
- without scale -

detail fitting ground anchor 11.1.1/11.1.1.8



hint

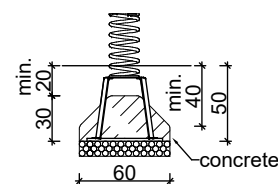
- 11.1.1 regular ground anchor
- 11.1.1.8 FSC/PEFC certified ground anchor



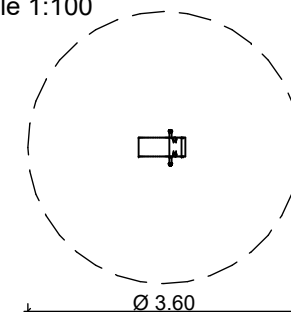
foundation detail without scale

minimum soil class III; check compression or make foundation bigger

ground anchor 11.1.1/11.1.1.8



topview with minimum safety area scale 1:100



wood certification: see order

The minimum area must be free of obstacles to/on which the user can during his movement unexpectedly fall or crash. Hard and sharp objects, as well as trip-surfaces count as obstacles.

project:	Springer "bee"	scale:	A4; 1:20	page:	1/1
address:		date:	14.05.2018	fall height:	max. 0,60m
advisor:		editor:	J.Naumann	 Master enterprise of woodcarving handicrafts © SIK-Holzgestaltungs GmbH	
article or pos. ID:	1.6	order no.:			
project ID:		drawing type:	assembly		

ASSEMBLING INSTRUCTION

1.3–1.29 Springer / generally

Scope of delivery

Amount	Denomination	Measure
1	sculpture with mounted spring	45 kg
1	ground anchor (assembly set)	15 kg
Sum	approx.	60 kg

All weights are approximate. The heaviest component is highlighted in bold.

Tools

- spade, shovel, tape measure, spirit level
- socket wrench 13 / 17 / 19 mm
- 1 person (1 installer at 1.5 h)
- possibly approx. concrete 0.1 m³ C 20/25 (depending on type on soil)

Assembling

- Parts of the springer according to the instructions assembly.
- Determine the foundation positions according to plan. **Measures due by the client/customer check.**
- Digging hole for the ground anchor and depending on the ground conditions, a drainage layer, for example gravel layer 10 cm in order to prevent stagnant moisture.
(note gaze direction of the springer)
- Lift the springer with ground anchor into the prepared holes, to adjust by means of spirit level.
- Fill the playing surface with earth in layers and compacted.
- Transportation braces and installation damage are to be removed after installation on site, grind and paint damaged areas.

NOTE:

The base plate have at least loaded with 120 kg of compacted filler be equivalent to a height of 25 cm well compressed soil of the ground anchor.

If this limit is not reached, we recommend a concrete base of 20 cm height.

Security guidelines

During assembly and transport on site, play towers and/or attachment parts must always be adequately secured, either through technology or through attached transportation bracing.


Required safety areas/ falling space around equipment are indicated on the installation drawings.

Playground equipment with a potential height of fall of more than 600 mm and/or a forced movement require an impact attenuating/ shock-absorbing surface in the whole impact area below them according to the **EN 1176 and EN 1177**. (Non-shock-absorbing undergrounds are for example without limitation: bricks, stones, concrete, bitumen and wood.)

Preventive maintenance instructions

An operational check of the equipment must be carried out 2 weeks after installation. Here the main attention should be paid to tight screw joints and stability. In general the equipment should be checked on a regular basis. A visual routine inspection should be carried out on a weekly basis. An operative inspection should be performed every 1–3 months and the general or main inspection has to happen on an annual basis.

We recommend to check stability of posts once a year and to expose foundations, let them dry and to repaint them also below ground level above the foundation with a solvent free glaze. **(Further information concerning maintenance can be found in our *Checklist for Maintenance/ Inspection*, in our *General Maintenance Notes* and also in our catalogues, as well as on our website www.sik-holz.de/en)**

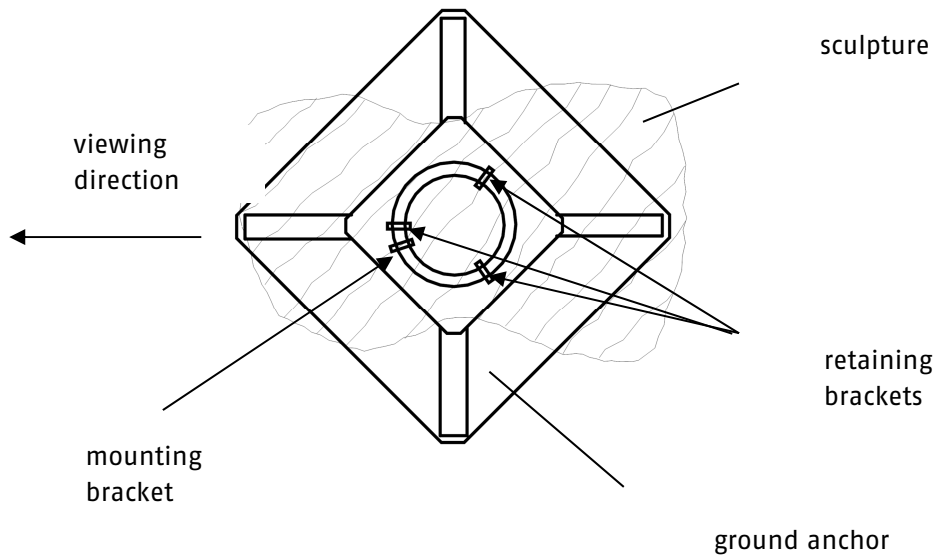
Rev. 07.2018	Page 1 von 2	MASTER ENTERPRISE OF WOODCARVING HANDICRAFTS / © SIK-Holzgestaltungs GmbH	
FURTHER INFORMATION: SIK-HOLZGESTALTUNGS GMBH, LANGENLIPSDORF 54 A, D-14913 NIEDERGÖRSDDORF; +49(0)33742.799 0; WWW.SIK-HOLZ.DE; INFO@SIK-HOLZ.DE			

ASSEMBLING INSTRUCTION

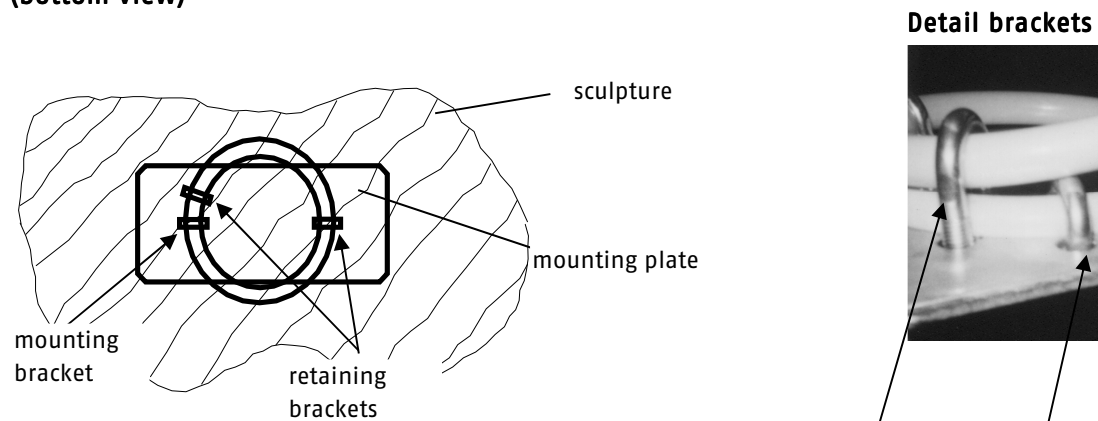
Detail drawing

Assembly and alignment
of the ground anchor at springer

(top view)



(bottom view)



Detail brackets

