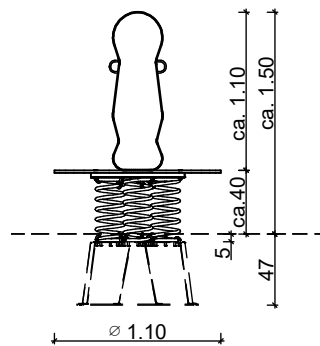
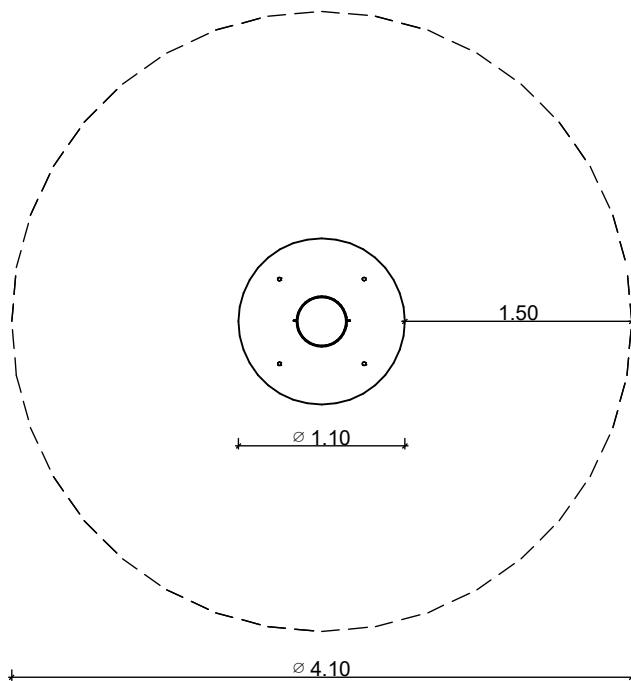


# Bouncing Plate » ..... «

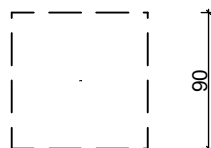
view



topview with  
minimum safety area



foundation plan  
check measurements  
on building site

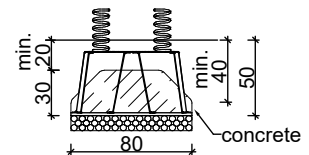


foundation detail

without scale

minimum soil class III; check compression  
or make foundation bigger

ground anchor 11.1.2



**wood certification: see order**

The minimum area must be free of obstacles to/on which the user can during his movement unexpectedly fall or crash.  
Hard and sharp objects, as well as trip-surfaces count as obstacles.

project: Bouncing Plate » ..... «		scale: A4; 1:50	page: 1/1
address:		date: 27.11.2019	fall height max. 0,4m
advisor:	editor: V.Liehr	<p>Master enterprice of woodcarving handicrafts © SIK-Holzgestaltungs GmbH</p>	
article or pos. ID: 1.51-.56	order no.:		
project ID:	drawing type: assembly		