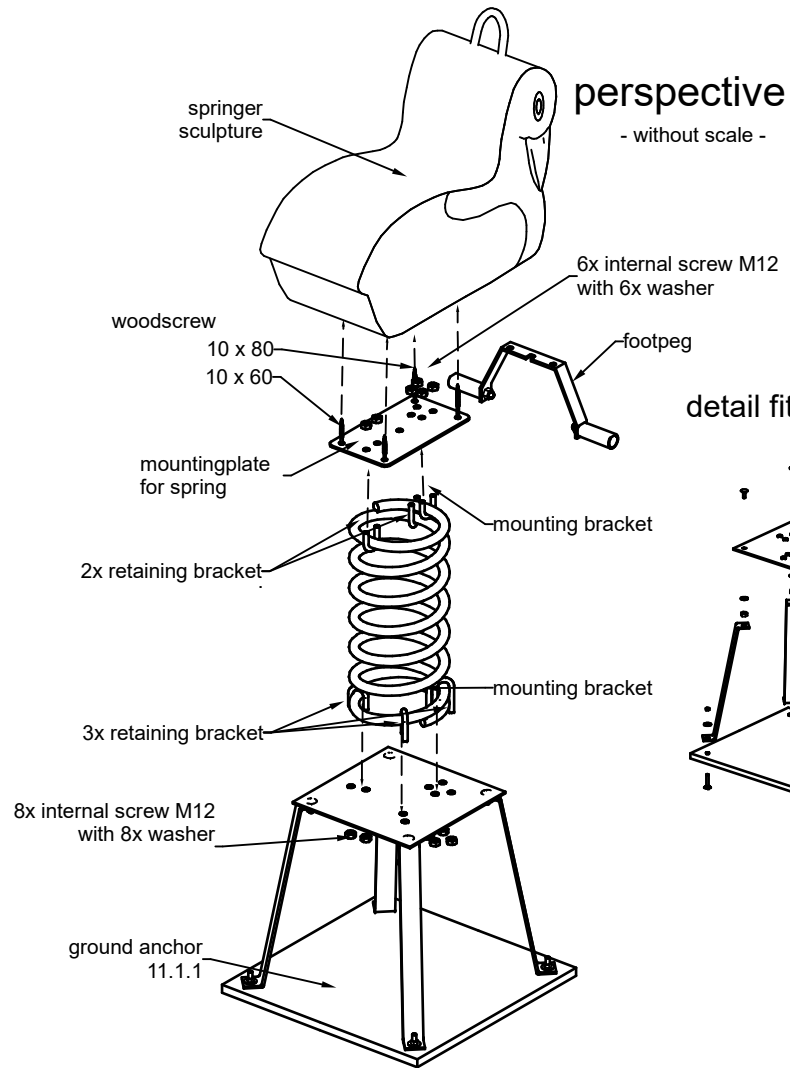
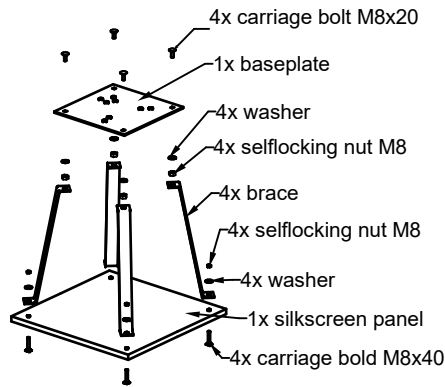


# springer "Crane"

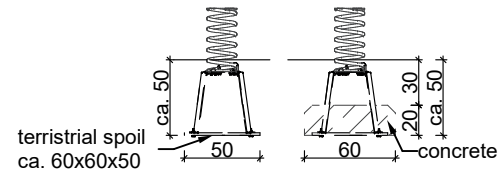
## detail fitting springer



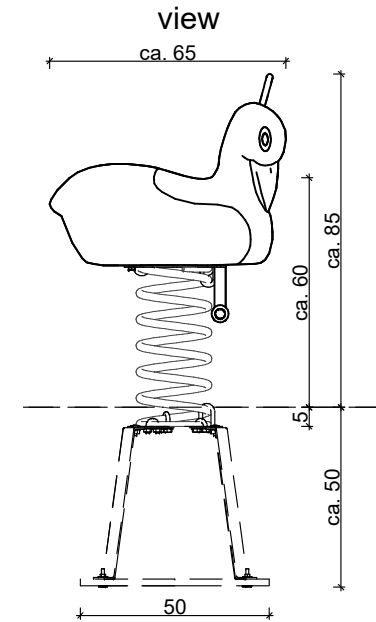
## detail fitting ground anchor 11.1.1



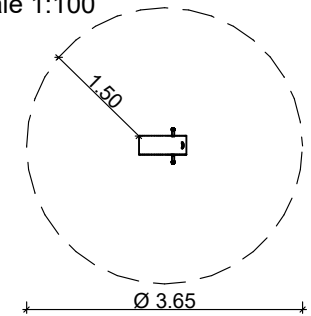
## grounding detail - without scale - ground anchor 11.1.1




Foundation is necessary by installation in, for example playsand, bark mulch and wood fitzer. In the case of natural soil or for example grass no foundation is required.



## topview with minimum safety area scale 1:100



project:	springer "crane" (with a spring)	scale:	A4; 1:20	page:	1/1
address:		date:	14.05.2018		
editor:	J. Naumann				
article ID:	1.24.12				
project ID:	assembly				
		 <p>Master enterprise of woodcarving handicrafts © SIK-Holzgestaltungs GmbH</p>			