

2



2h



5,5 x 4,4 x 1,84 m



~275 kg



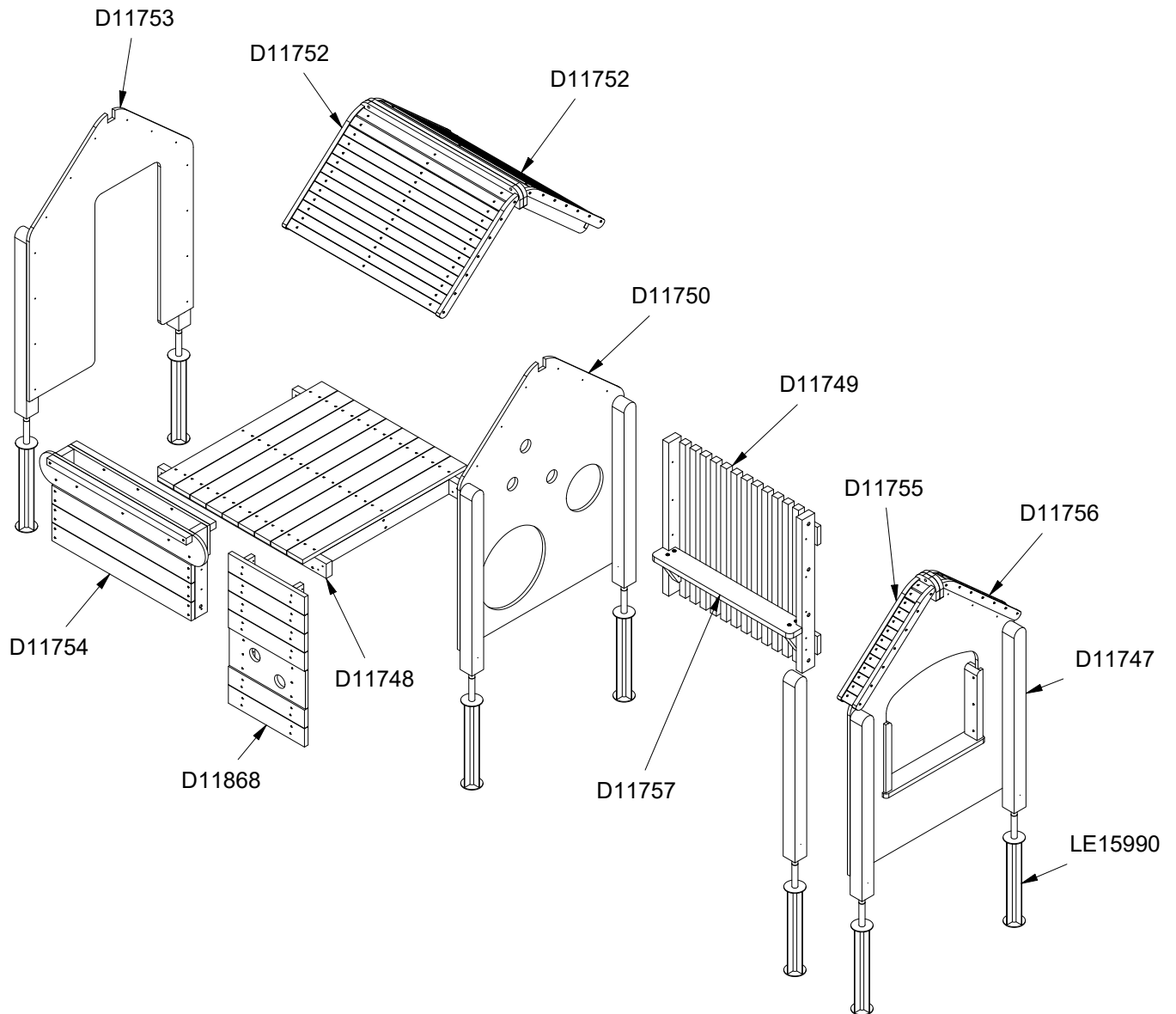
~0,27 m³



125x12x160 cm



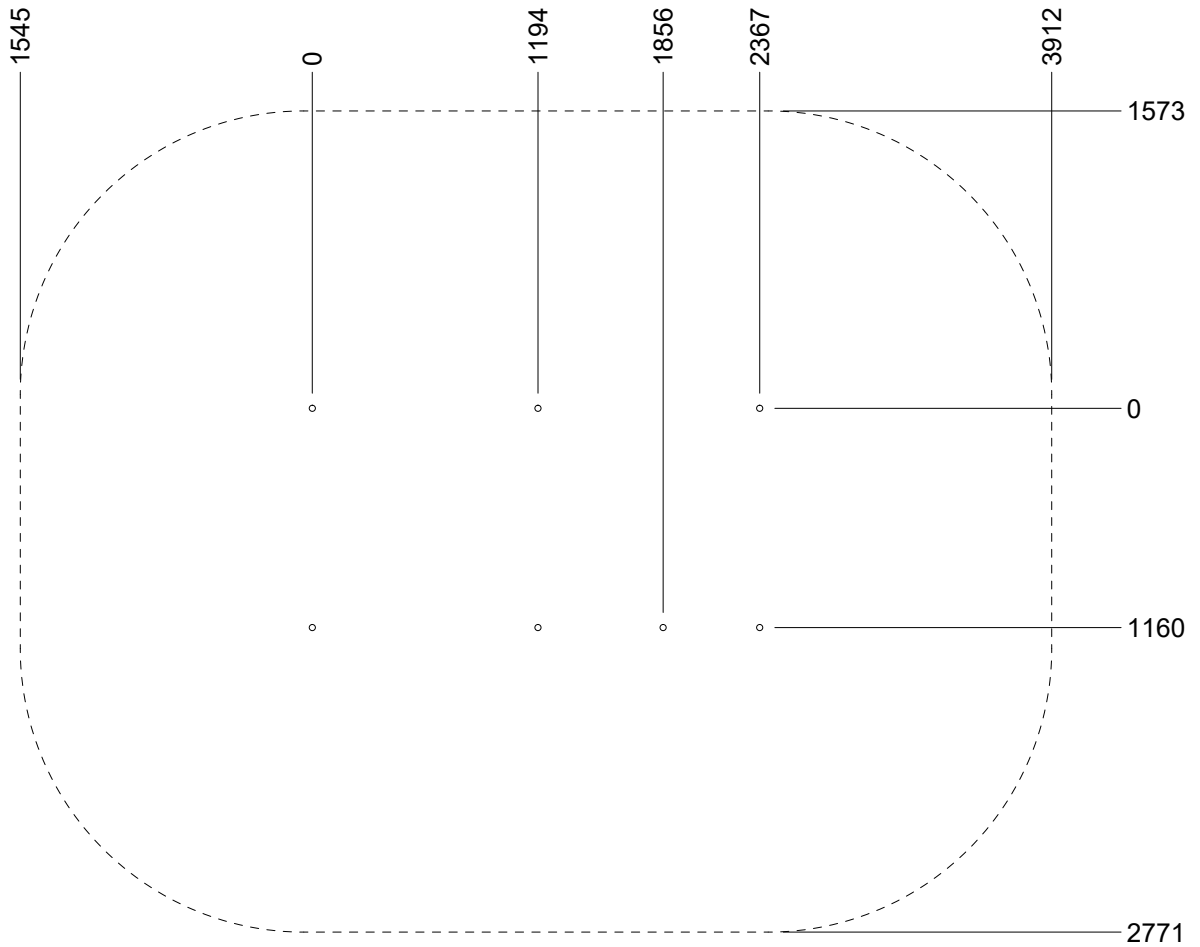
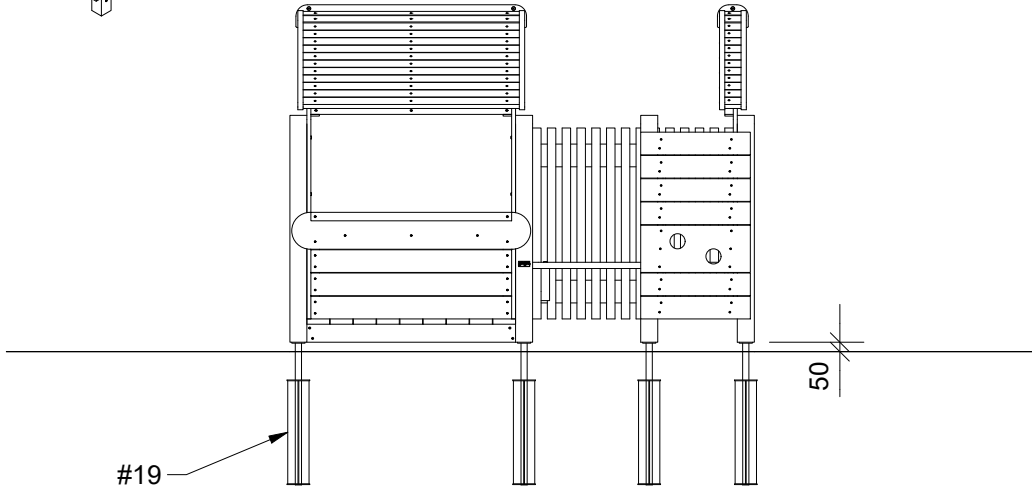
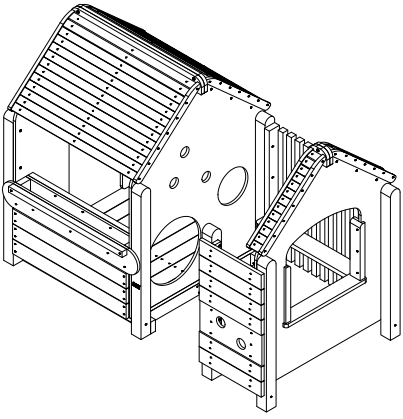
40 kg

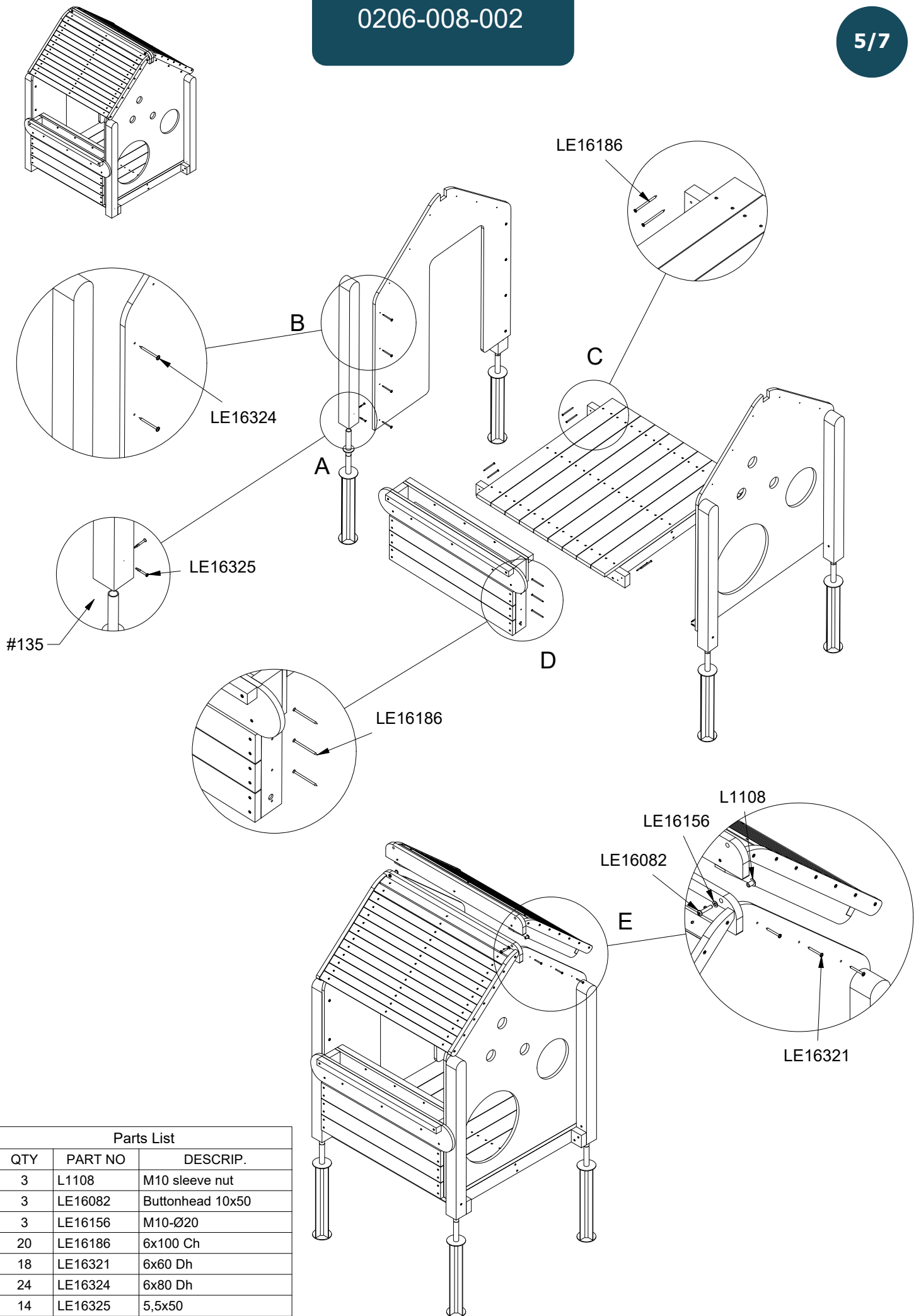


Parts List

QTY	PART NO	DESCRIP.
7	D11747	90x90x1200mm
1	D11748	Floor 130x130 cm
1	D11749	Wall
1	D11750	Wall
2	D11752	Roof
1	D11753	Wall
1	D11754	Wall
1	D11755	Roof part
1	D11756	Roof part
1	D11757	Bench
1	D11868	Wall
7	LE15990	Anchor

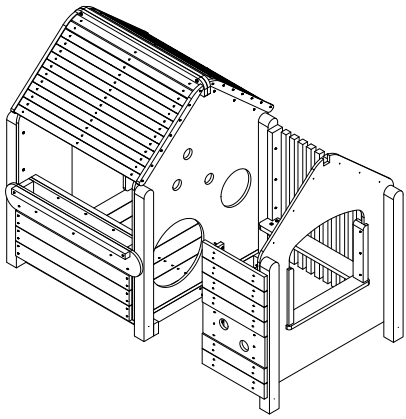
0206-008-002



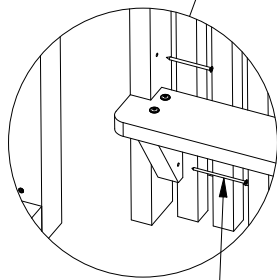
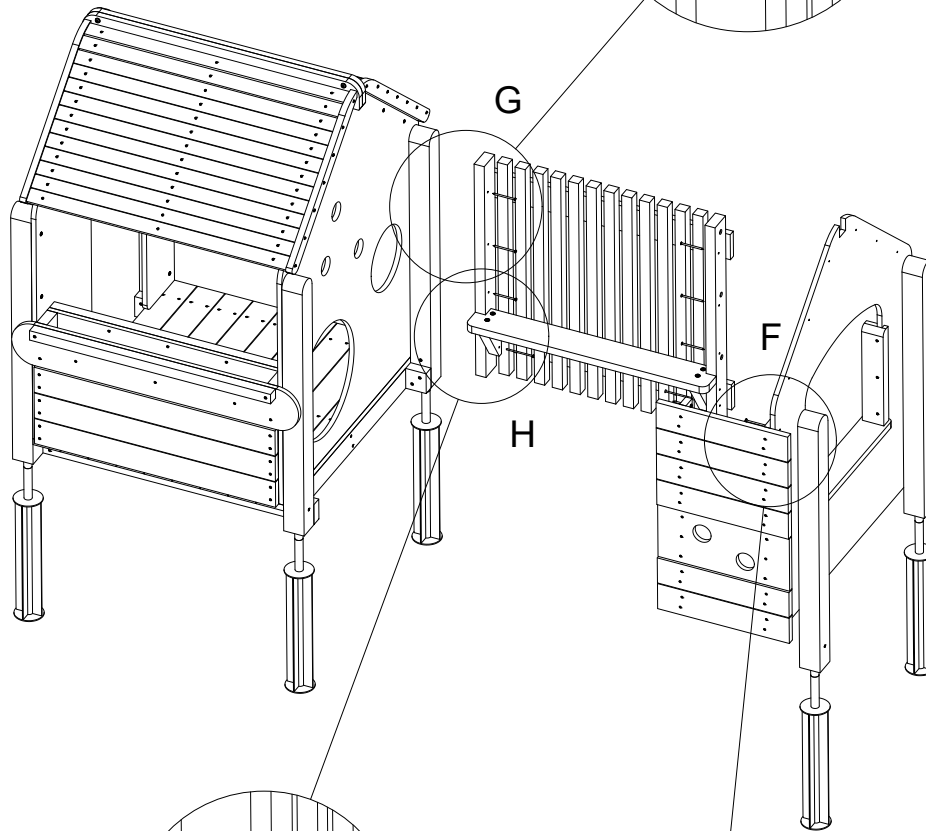
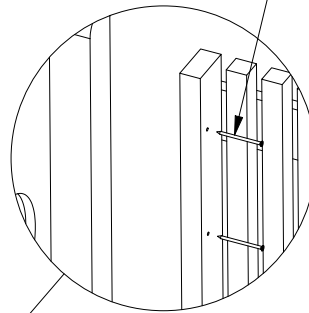


Parts List

QTY	PART NO	DESCRIP.
3	L1108	M10 sleeve nut
3	LE16082	Buttonhead 10x50
3	LE16156	M10-Ø20
20	LE16186	6x100 Ch
18	LE16321	6x60 Dh
24	LE16324	6x80 Dh
14	LE16325	5,5x50

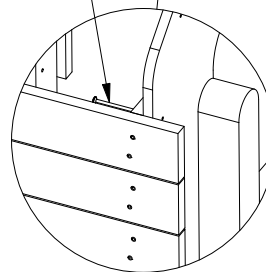


LE16186

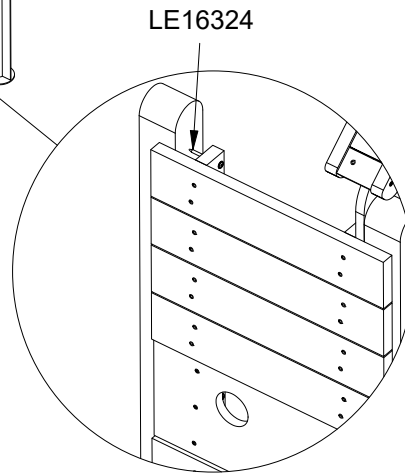
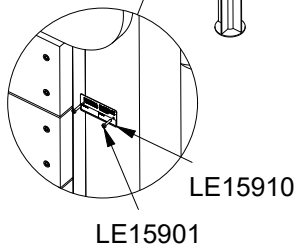
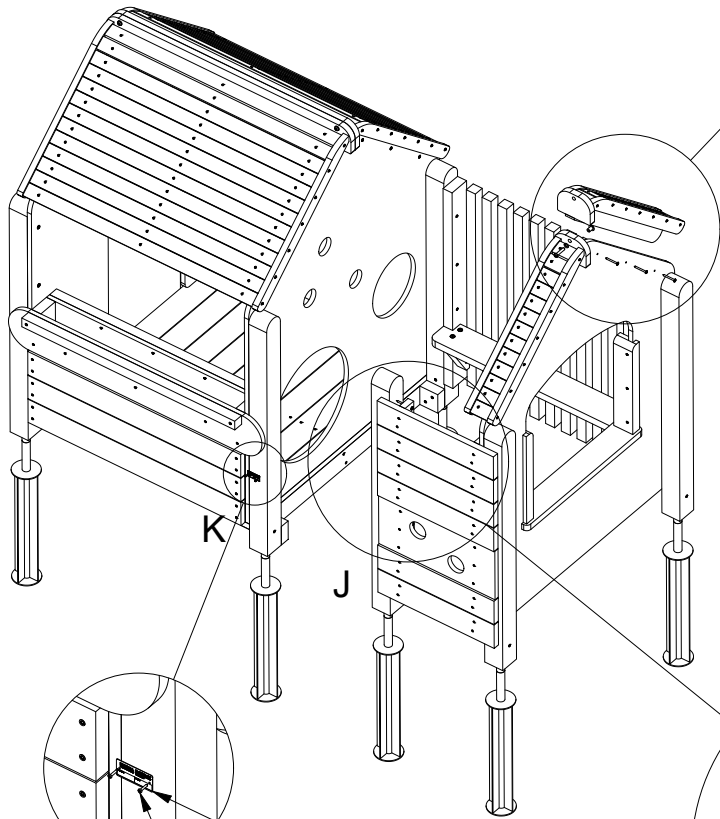
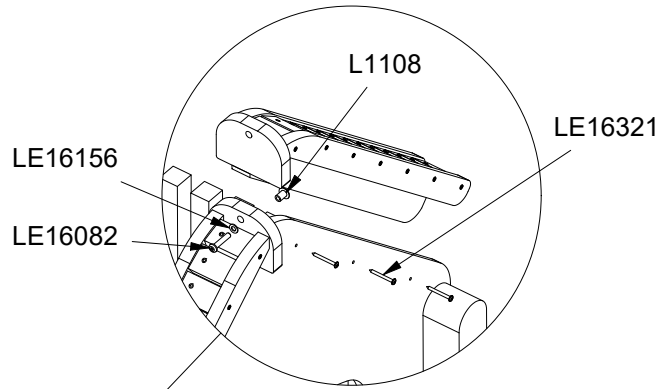
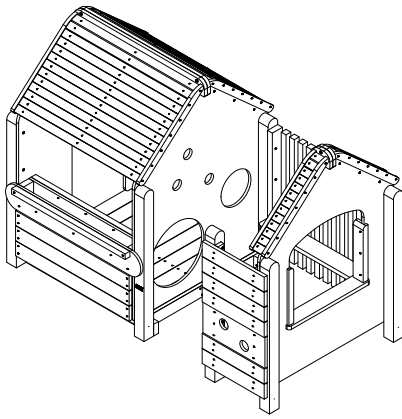


LE16188

LE16323



Parts List		
QTY	PART NO	DESCRIP.
20	LE16186	6x100 Ch
4	LE16188	6x120
4	LE16323	6x100 Dh
24	LE16324	6x80 Dh



Parts List

QTY	PART NO	DESCRIP.
3	L1108	M10 sleeve nut
2	LE15901	3x16, PH
1	LE15910	Name tag
3	LE16082	Buttonhead 10x50
3	LE16156	M10-Ø20
18	LE16321	6x60 Dh
4	LE16323	6x100 Dh
24	LE16324	6x80 Dh