

2



1h



4,35 x 4,3 x 1,84 m



~142 kg



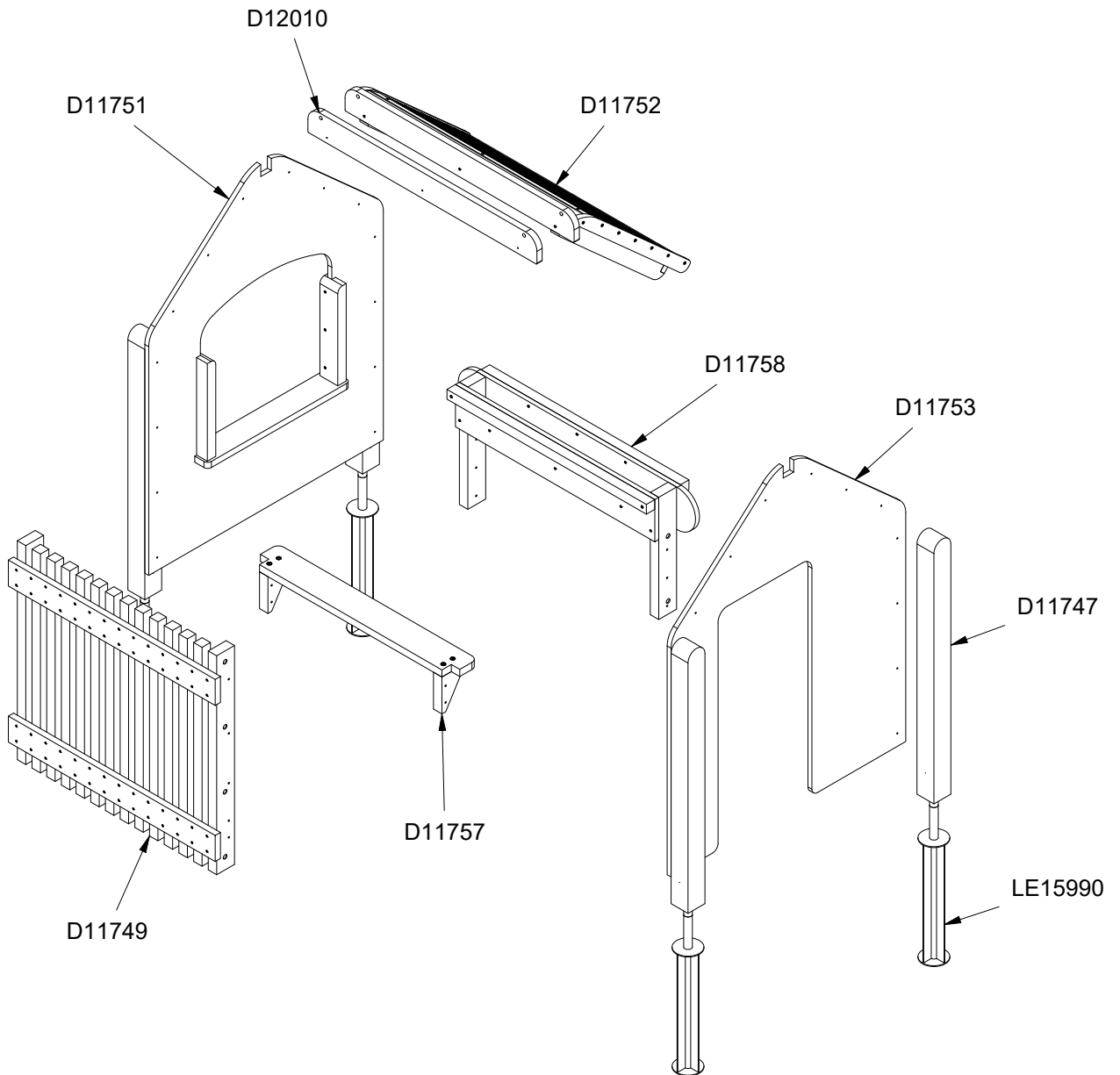
~0,15 m³



125x12x160 cm

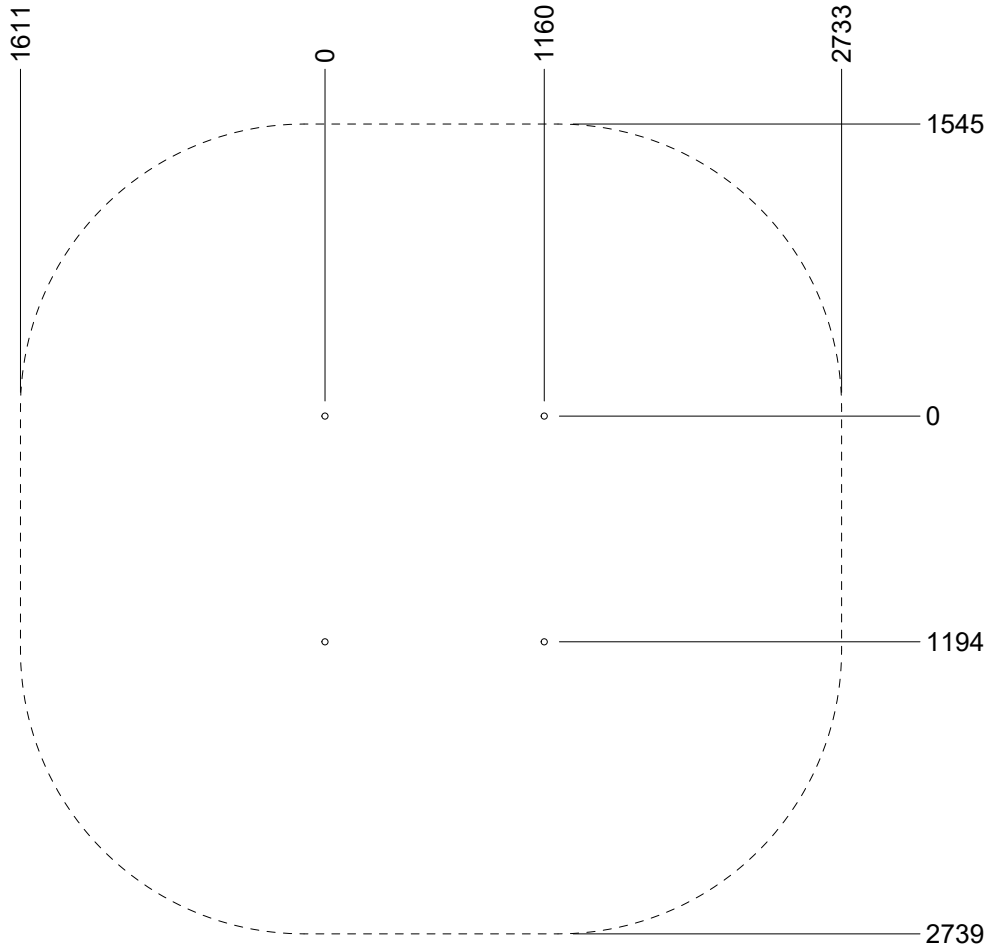
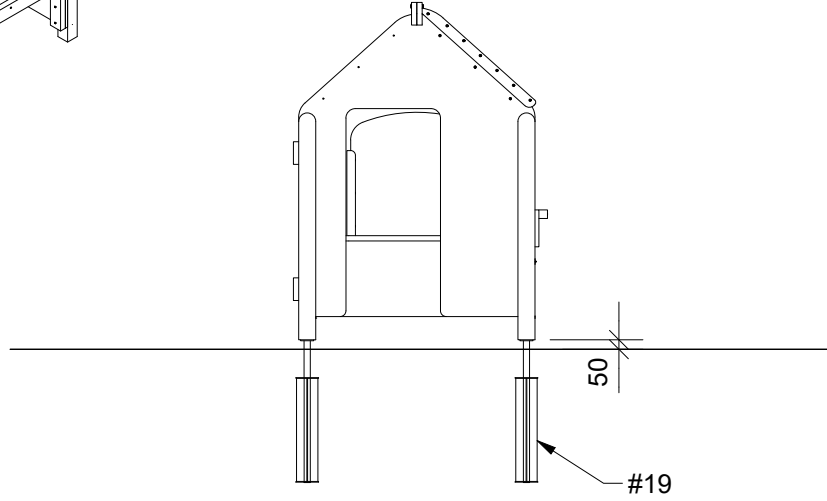
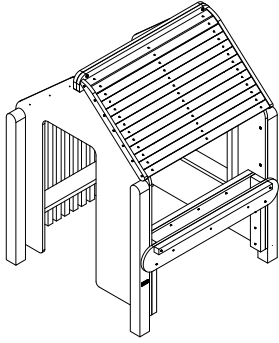


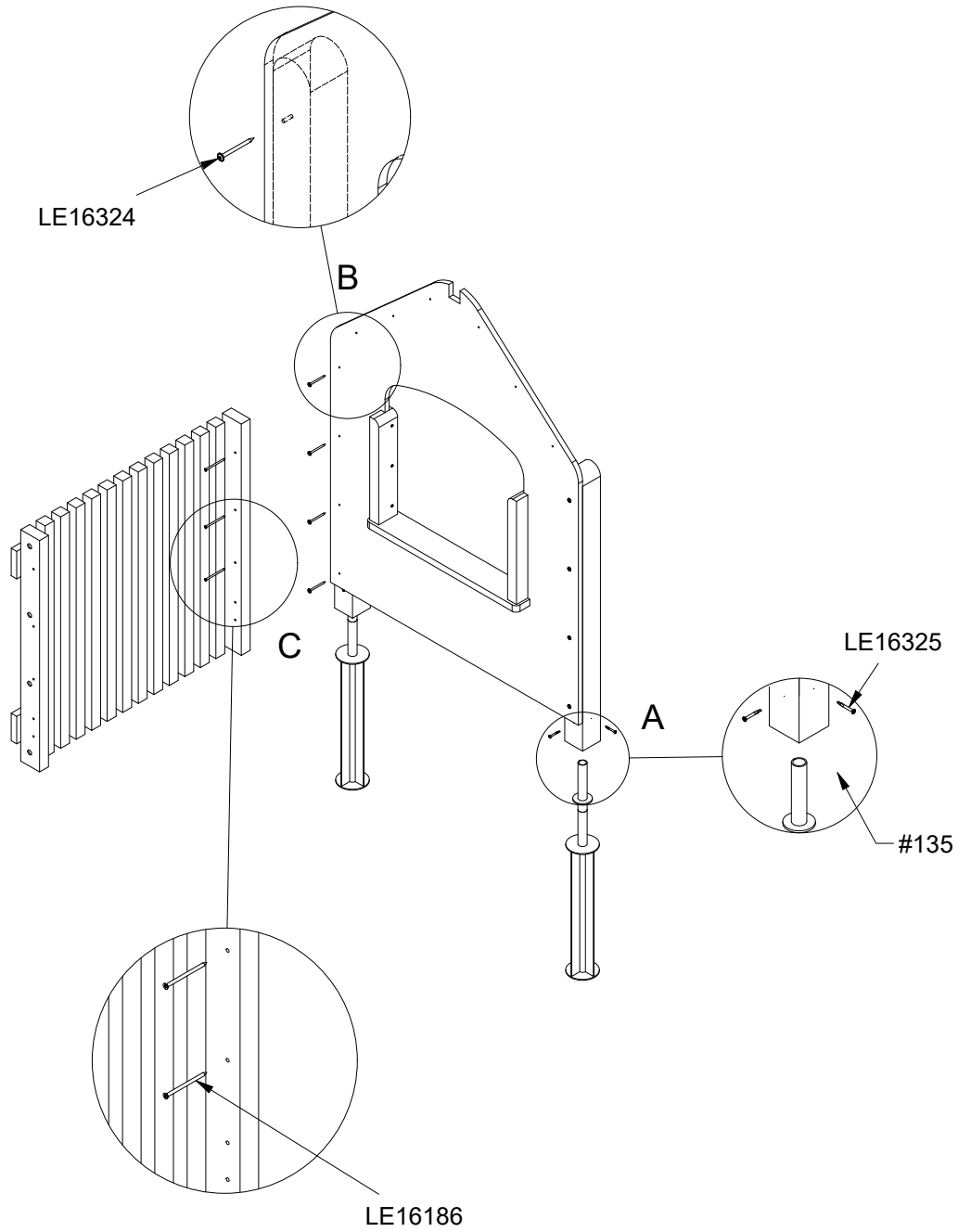
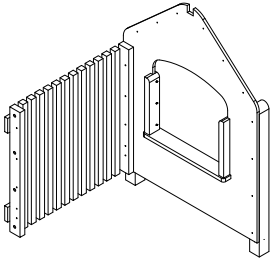
25 kg



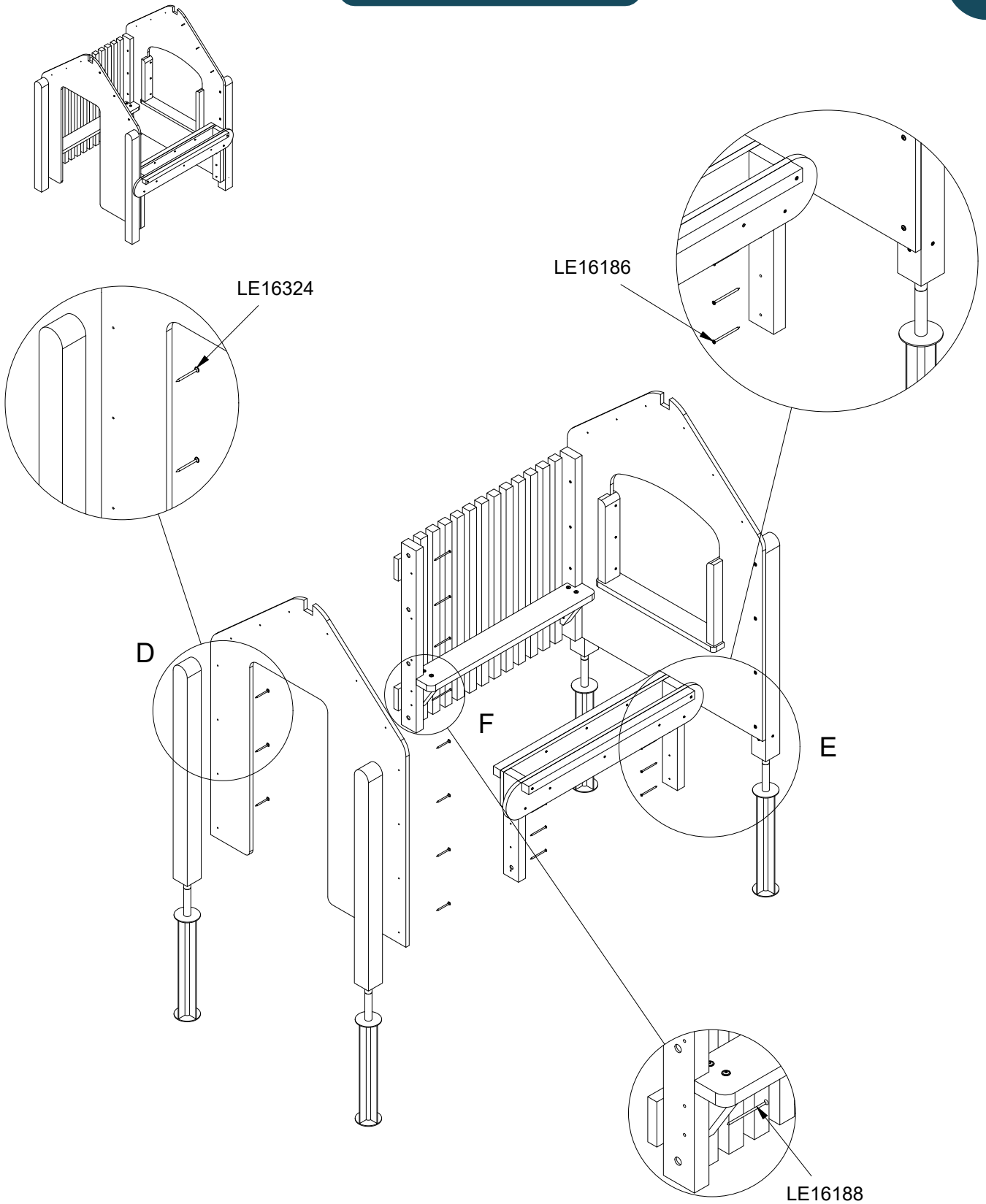
Parts List

QTY	PART NO	DESCRIP.
4	D11747	90x90x1200mm
1	D11749	Wall
1	D11751	Wall
1	D11752	Roof
1	D11753	Wall
1	D11757	Bench
1	D11758	Wall
1	D12010	Roof Part
4	LE15990	Anchor

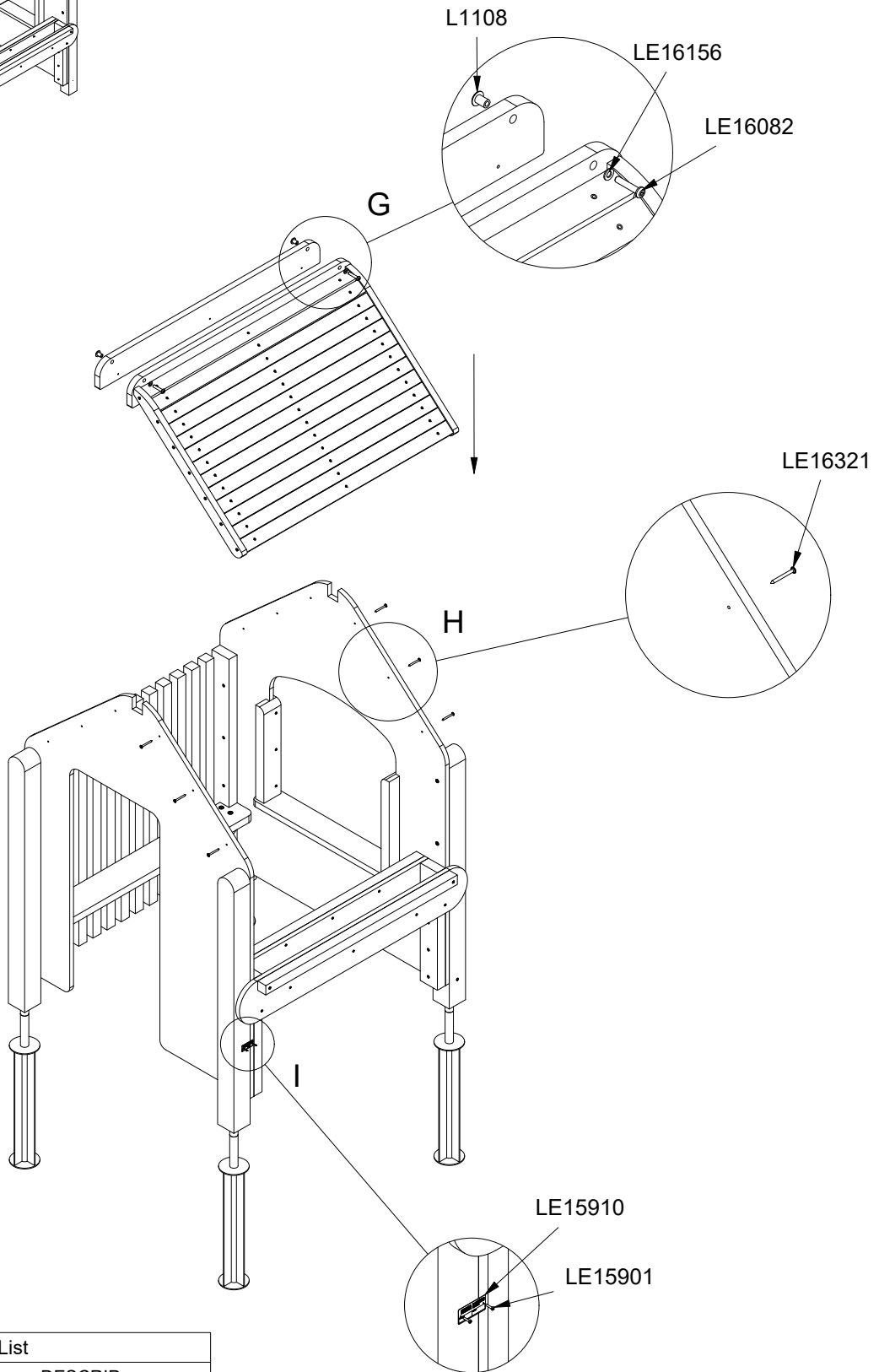
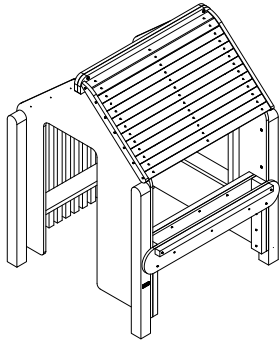




Parts List		
QTY	PART NO	DESCRIP.
12	LE16186	6x100 Ch
16	LE16324	6x80 Dh
8	LE16325	5,5x50



Parts List		
QTY	PART NO	DESCRIP.
12	LE16186	6x100 Ch
4	LE16188	6x120
16	LE16324	6x80 Dh



Parts List

QTY	PART NO	DESCRIP.
2	L1108	M10 sleeve nut
2	LE15901	3x16, PH
1	LE15910	Name tag
2	LE16082	Buttonhead 10x50
2	LE16156	M10-Ø20
6	LE16321	6x60 Dh