

2



24h



25,2 m²



7,3 x 4,7 x 3 m



~831 kg



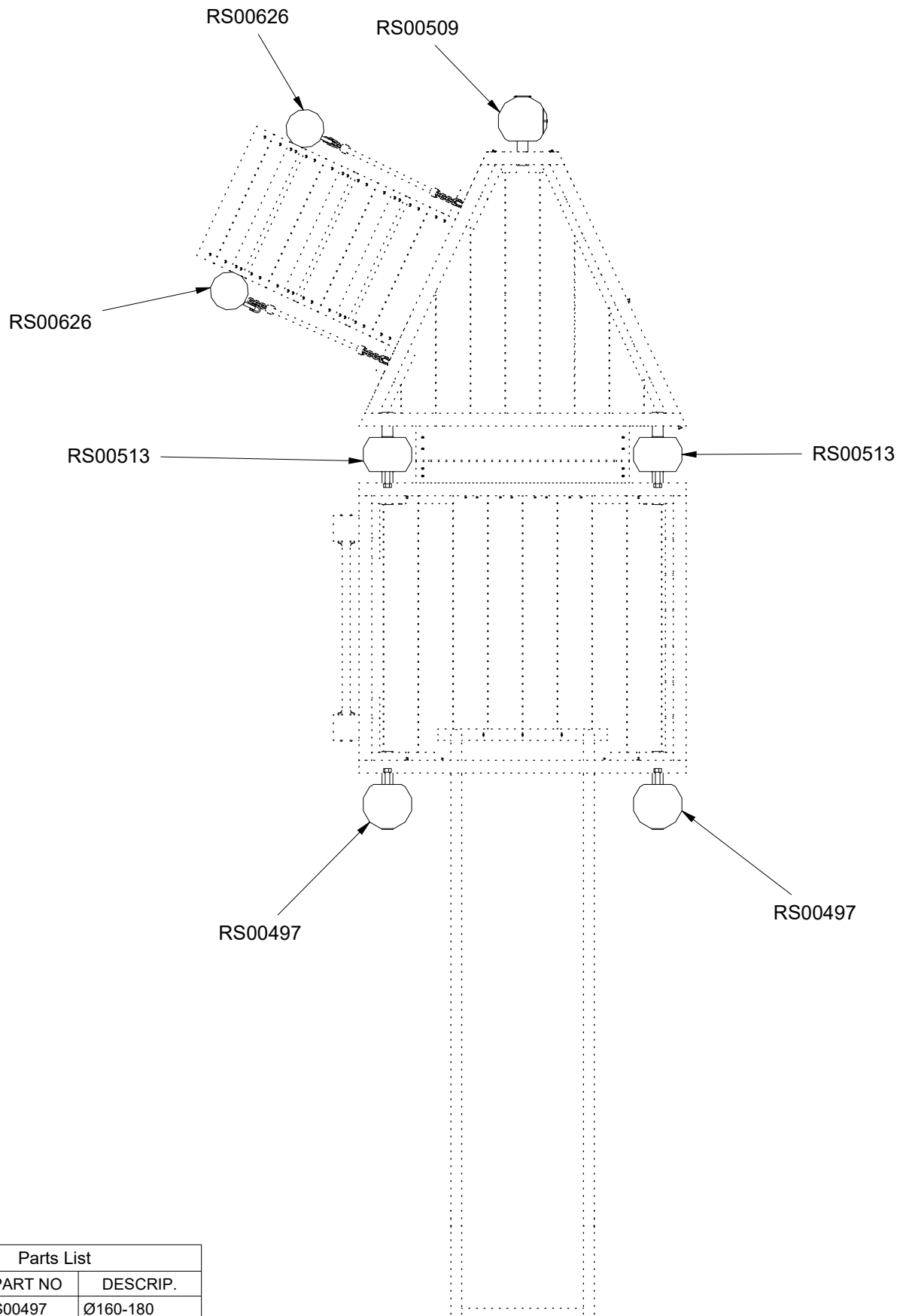
~0,27 m³



Ø16-18-380 cm

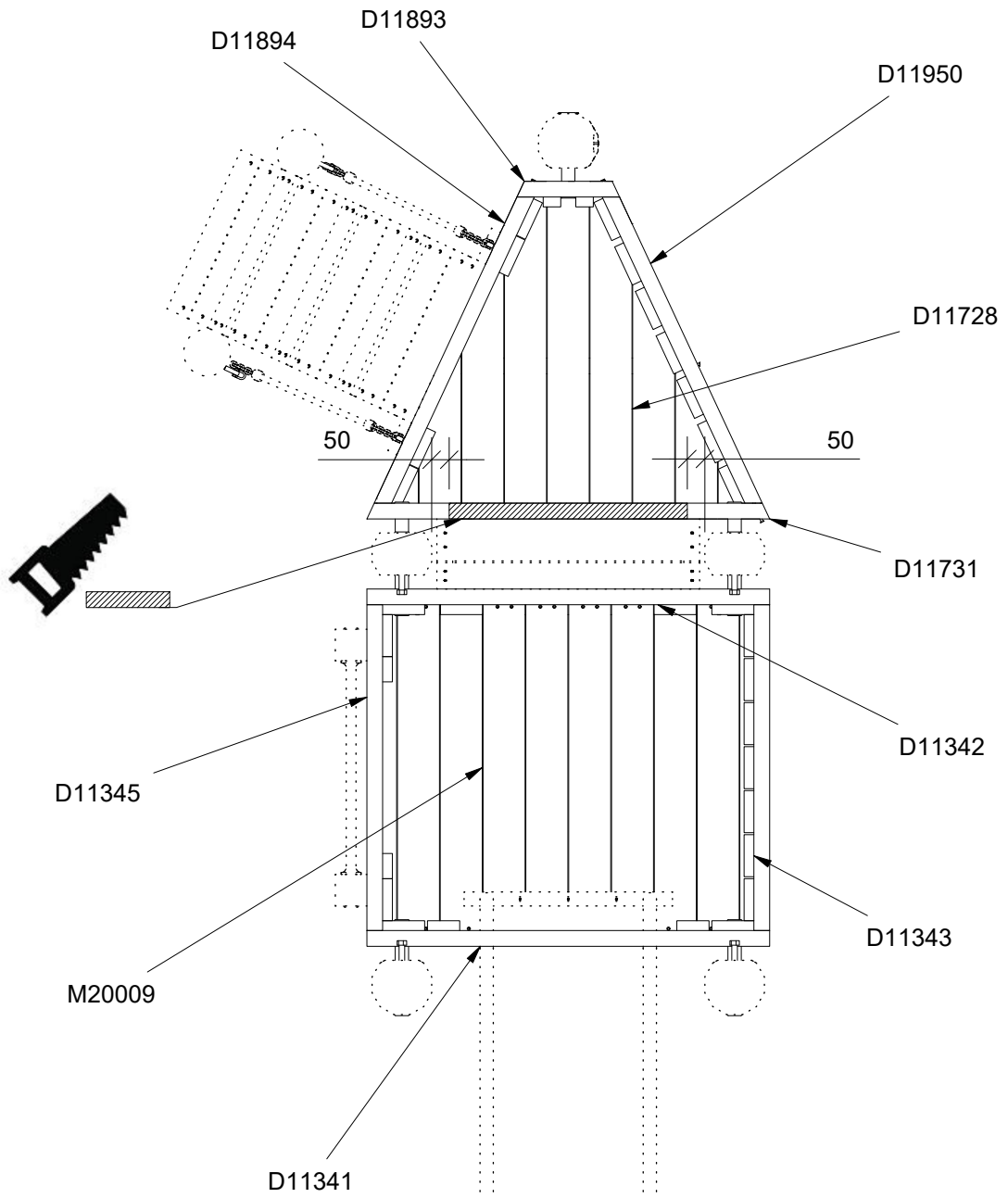


76 kg

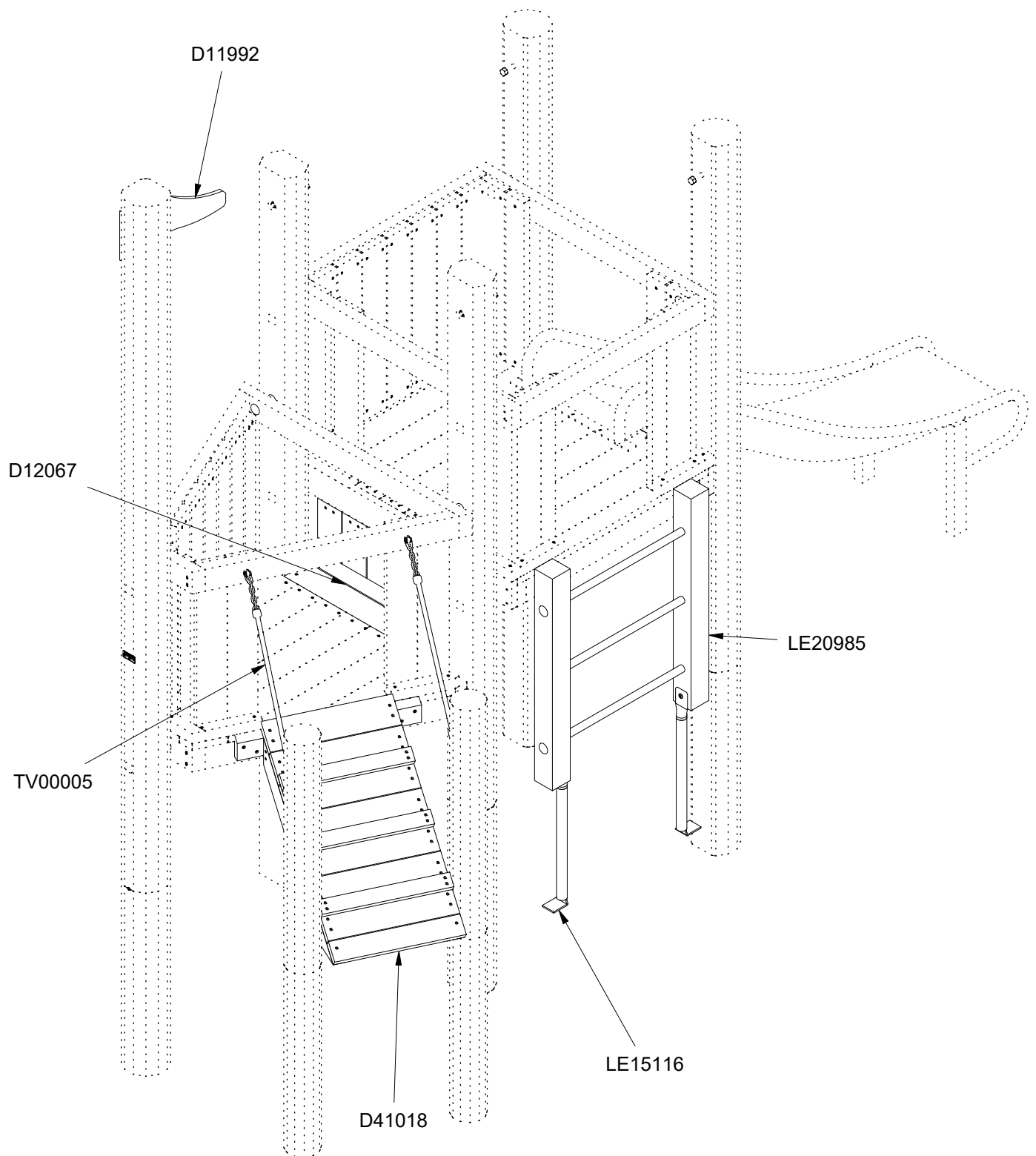


Parts List

QTY	PART NO	DESCRIP.
2	RS00497	Ø160-180
1	RS00509	Ø160-180
2	RS00513	Ø160-180
2	RS00626	Ø120-140

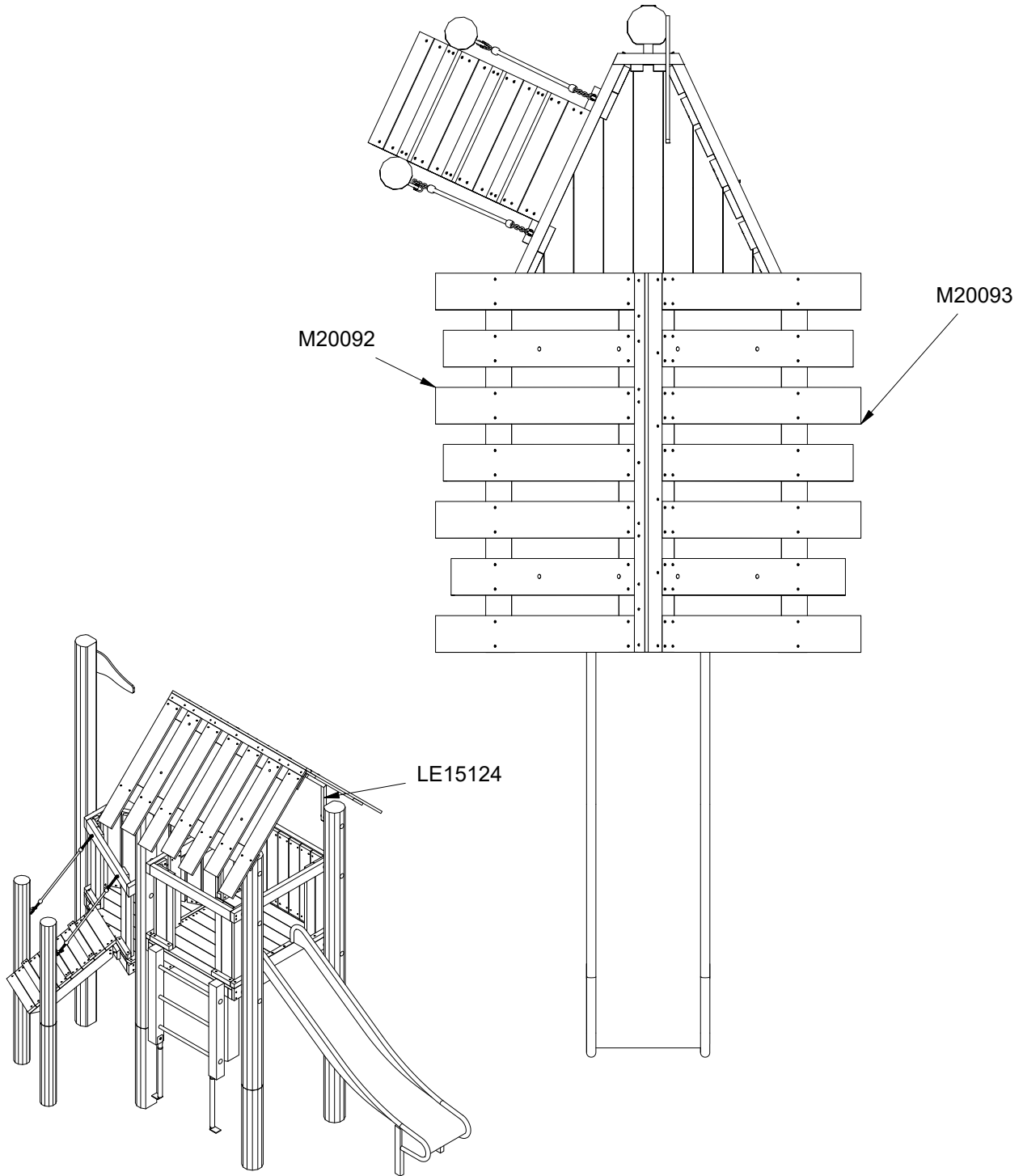


Parts List		
QTY	PART NO	DESCRIP.
1	D11341	1150x750mm, 620mm Gap
1	D11342	1150x750mm, 490mm Gap
1	D11343	930x750mm, Closed
1	D11345	930x750mm, 490mm Gap
1	D11728	1096x964x28mm
1	D11731	964x1150x95
1	D11893	269x708
1	D11894	995x707mm, 490mm Gap
1	D11950	995x707mm, Closed
1	M20009	1150x1020mm



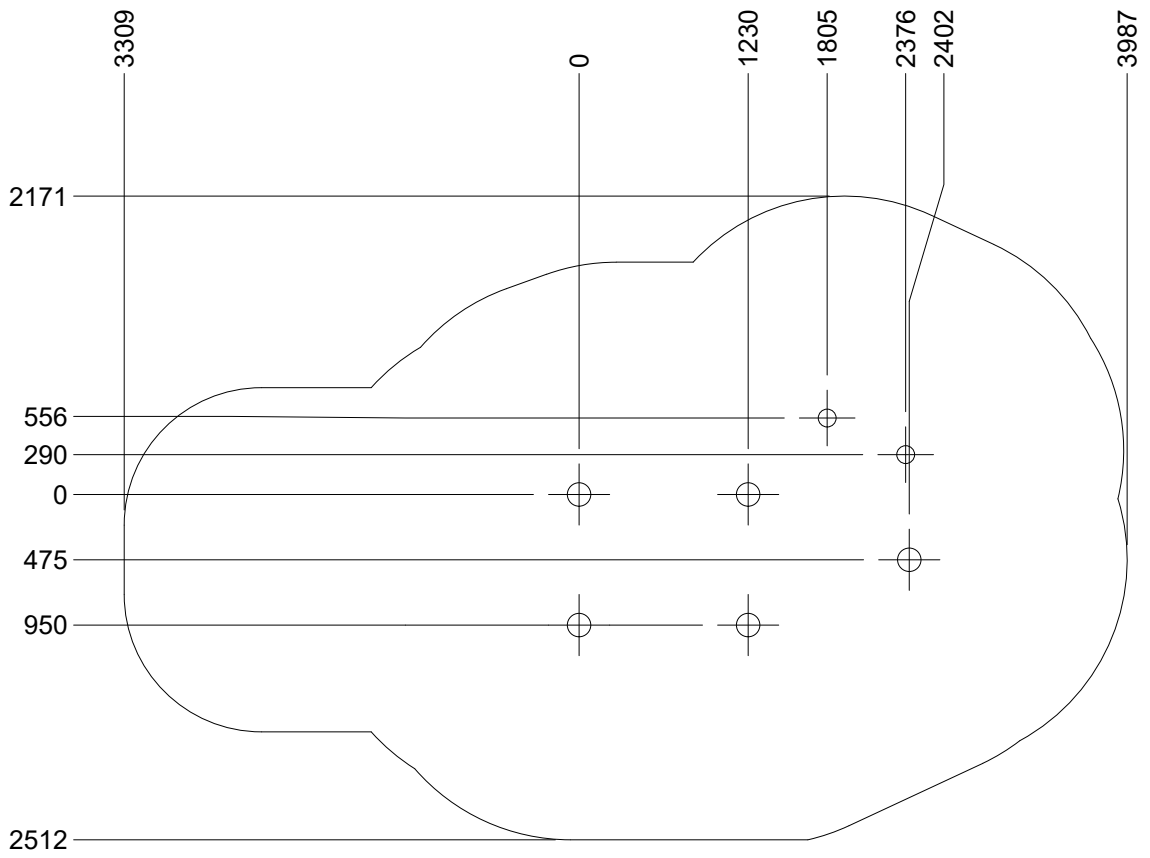
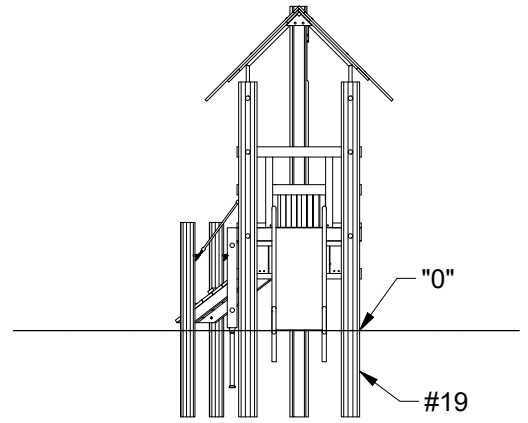
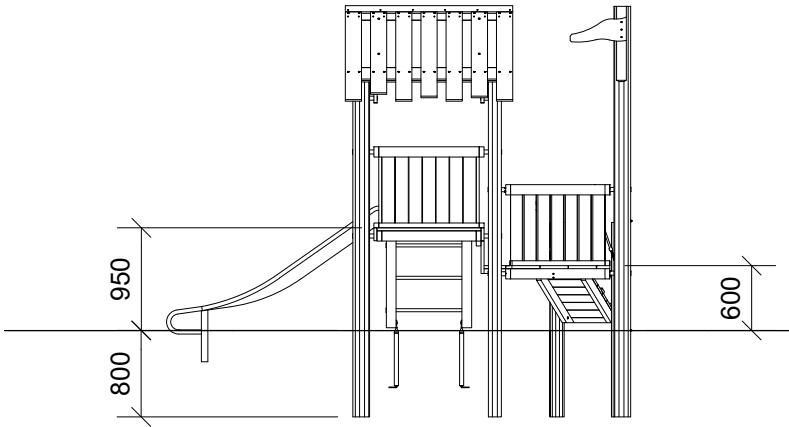
Parts List

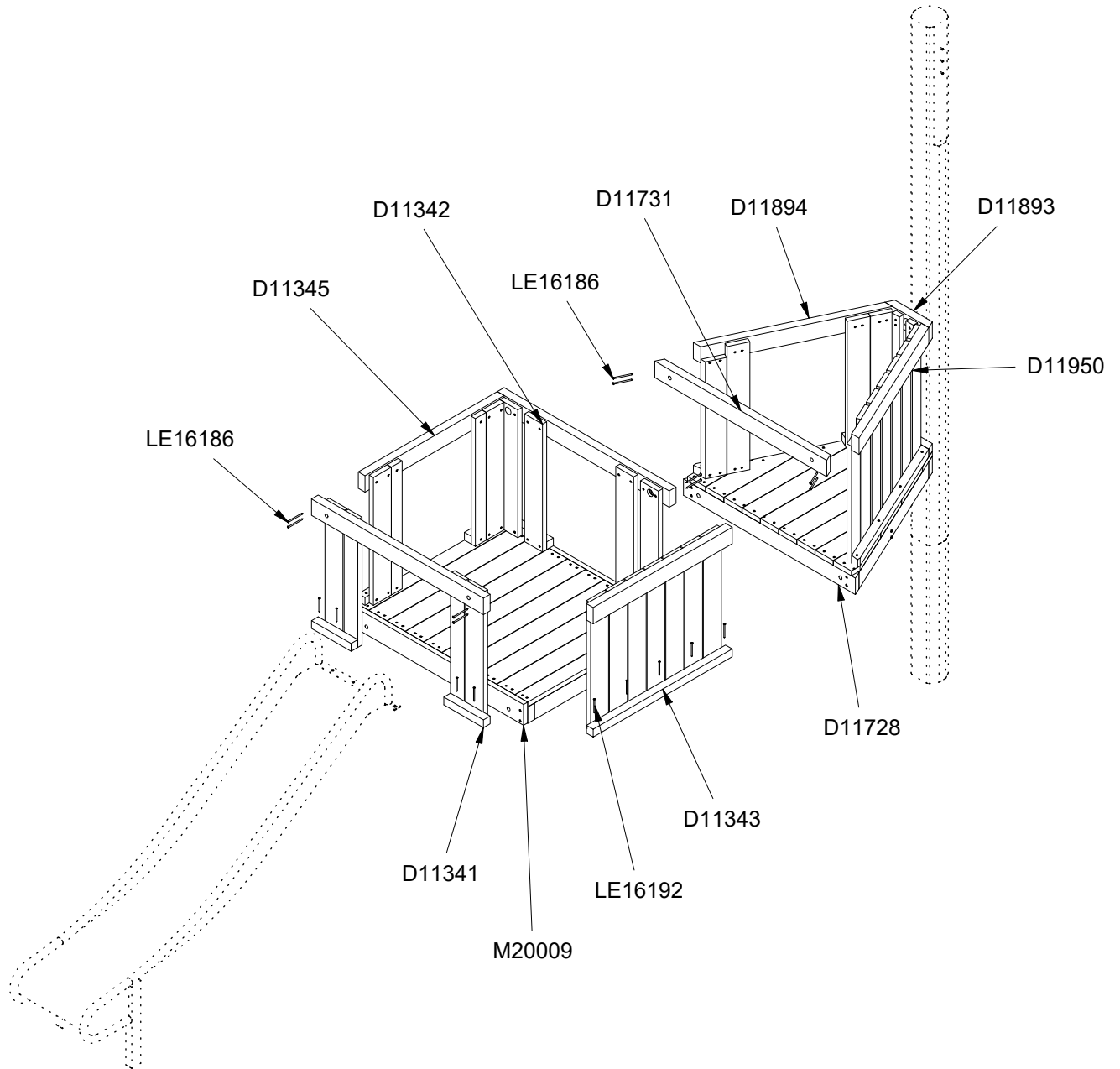
QTY	PART NO	DESCRIP.
1	D11992	520x215 mm
1	D12067	810x273x300mm, Assembled
1	D41018	Ramp 35°
2	LE15116	L: 600mm
1	LE20985	Rib 80cm
1	LE22004	Slide 50x170x195cm
2	TV00005	Taifun



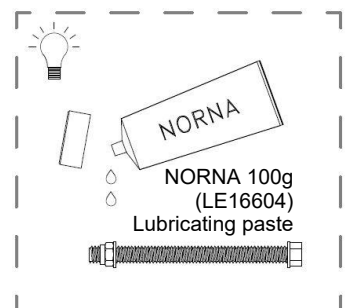
Parts List

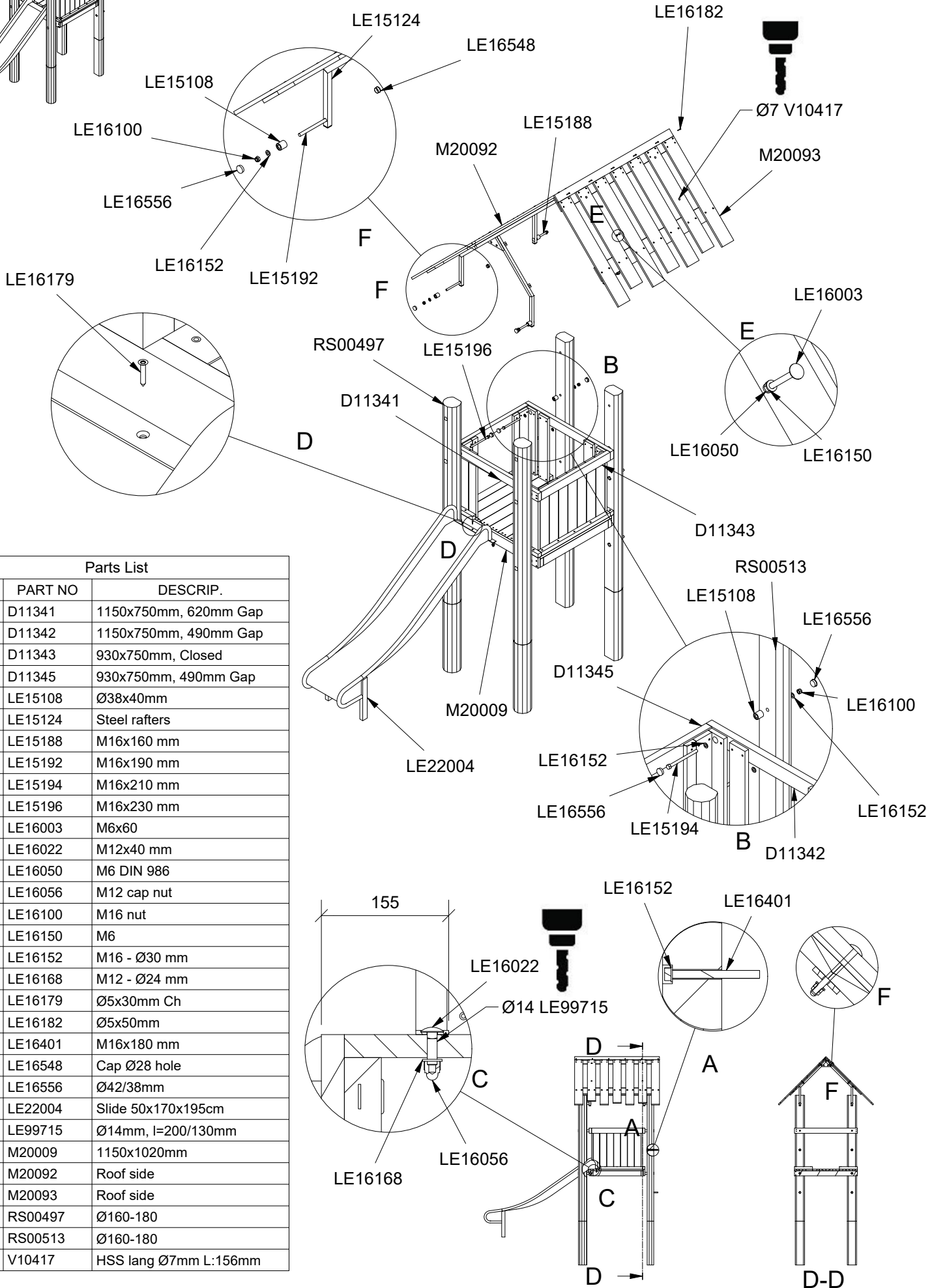
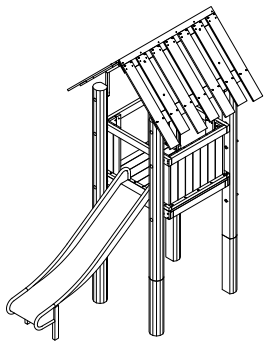
QTY	PART NO	DESCRIP.
2	LE15124	Steel rafters
1	M20092	Roof side
1	M20093	Roof side



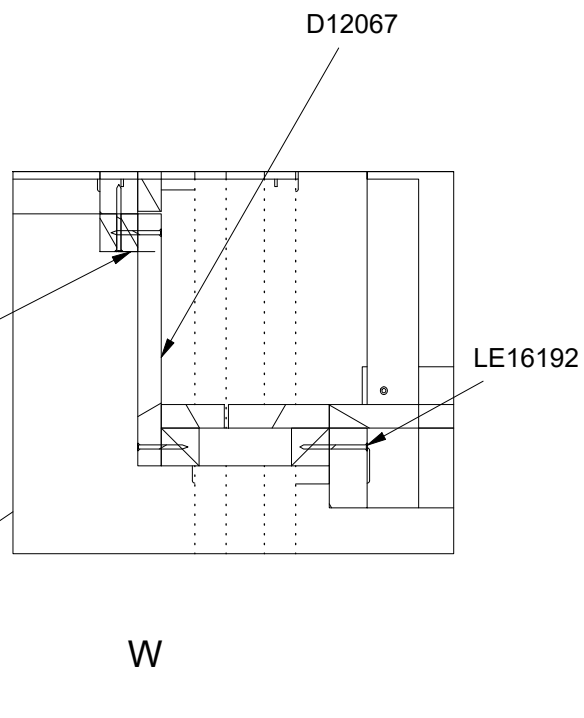
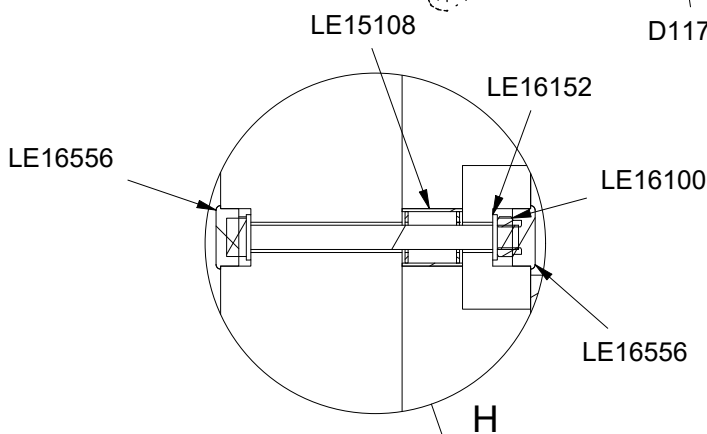
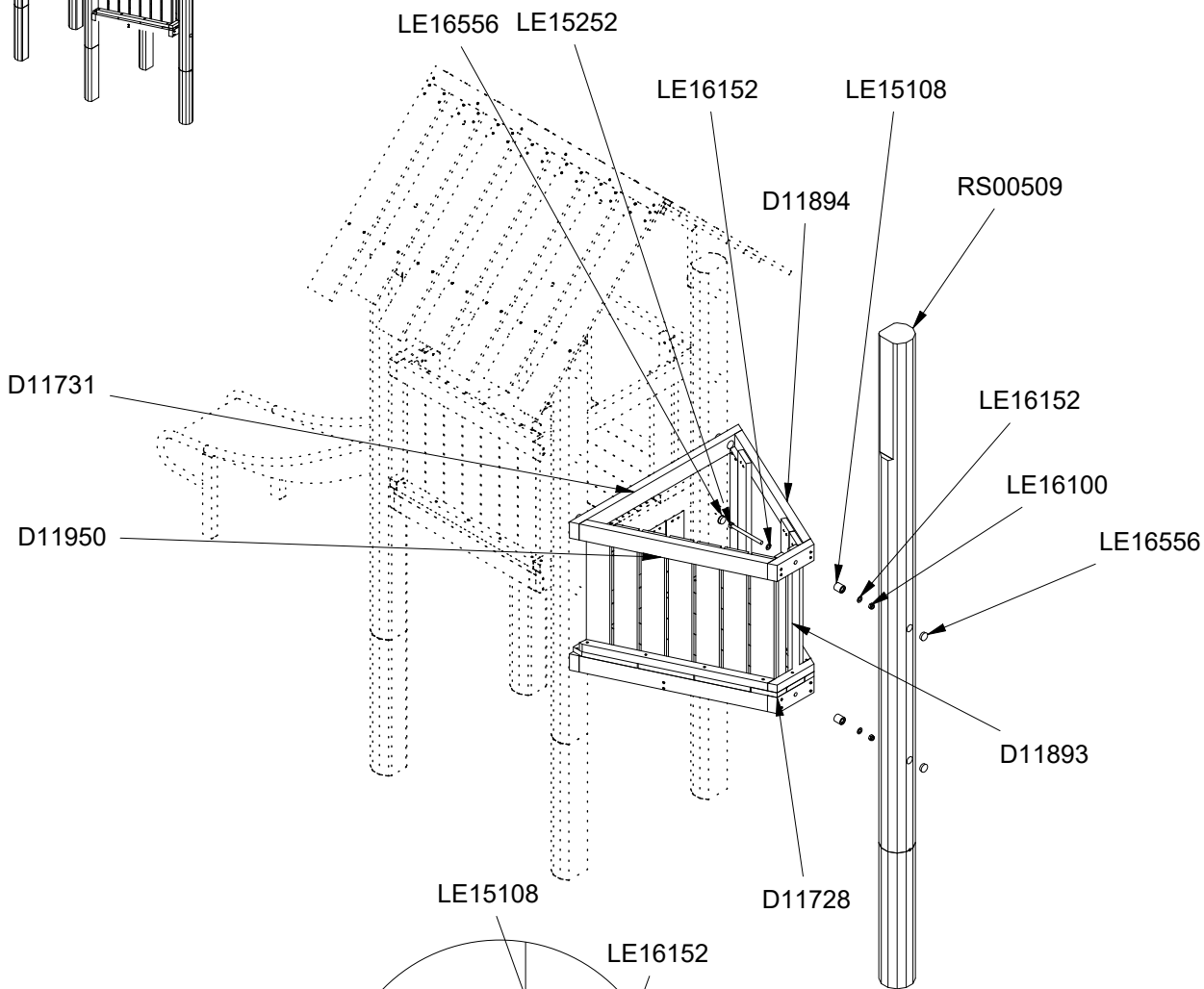
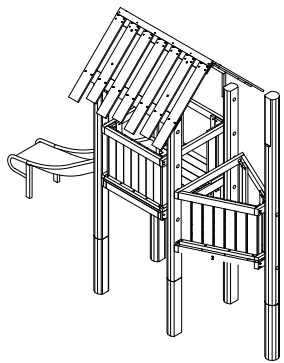


Parts List		
QTY	PART NO	DESCRIP.
1	D11341	1150x750mm, 620mm Gap
1	D11342	1150x750mm, 490mm Gap
1	D11343	930x750mm, Closed
1	D11345	930x750mm, 490mm Gap
1	D11728	1096x964x28mm
1	D11731	964x1150x95
1	D11893	269x708
1	D11894	995x707mm, 490mm Gap
1	D11950	995x707mm, Closed
28	LE16186	6x100 Ch
36	LE16192	5x80mm
1	M20009	1150x1020mm

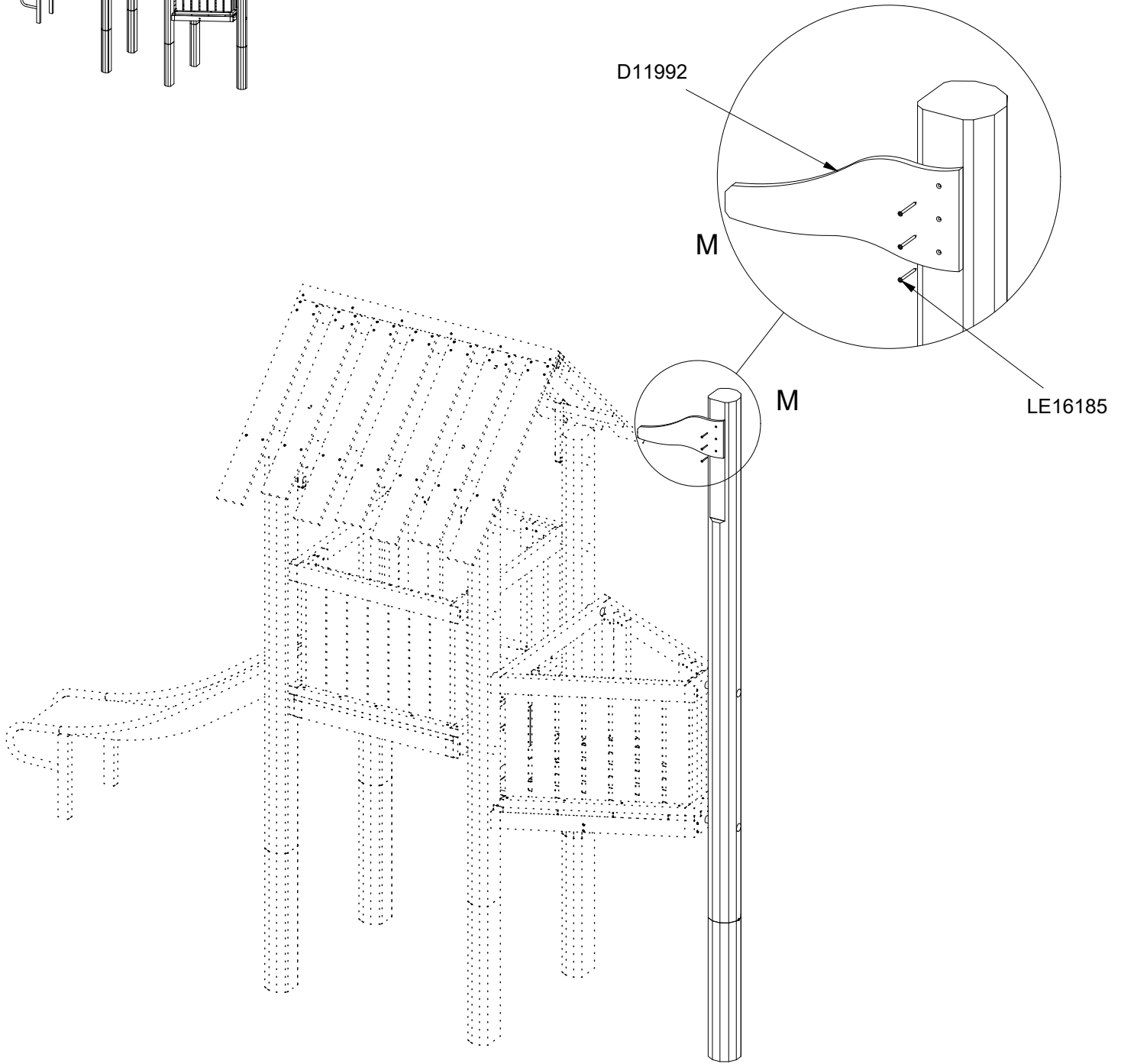




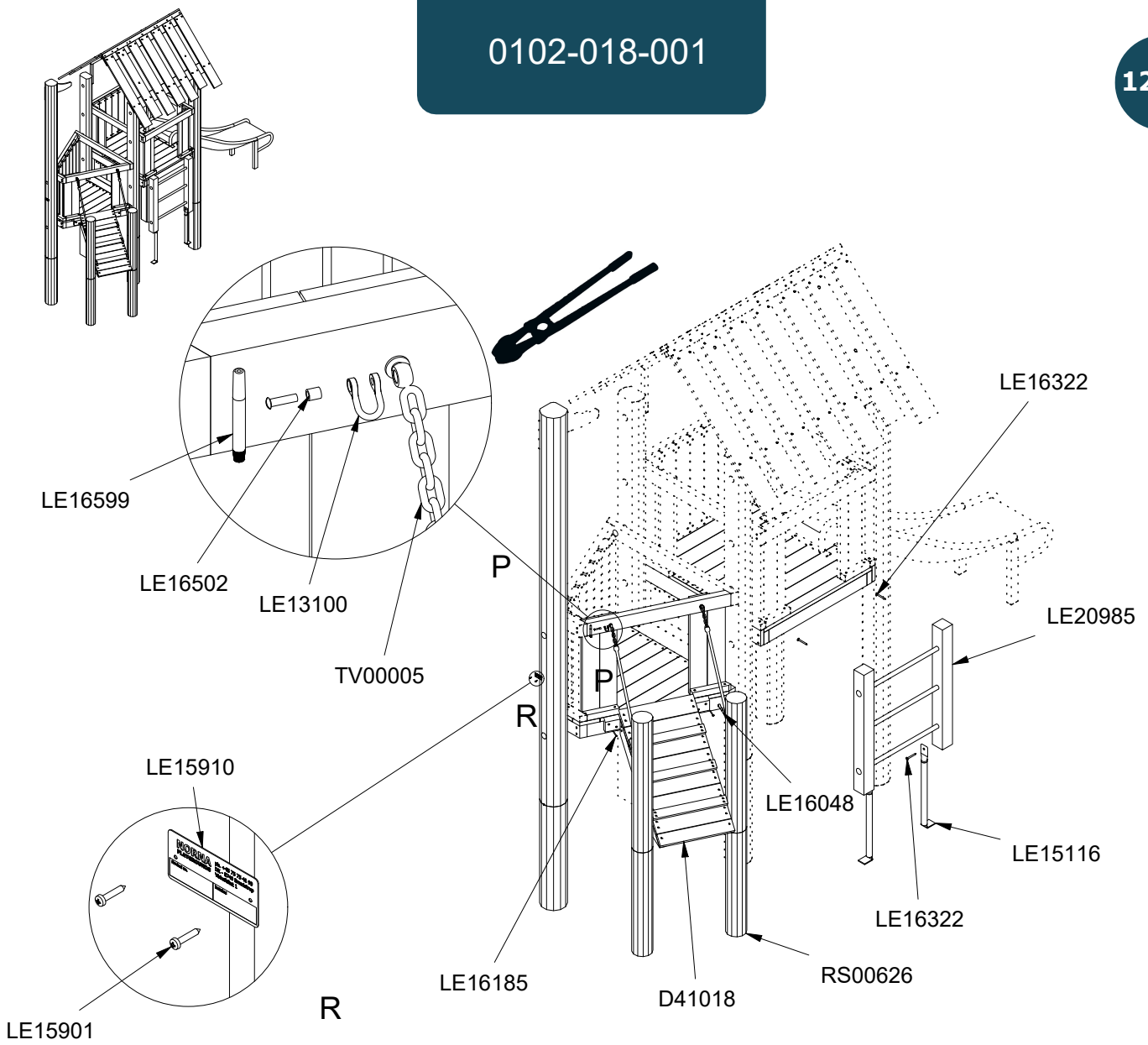
Parts List		
QTY	PART NO	DESCRIP.
1	D11341	1150x750mm, 620mm Gap
1	D11342	1150x750mm, 490mm Gap
1	D11343	930x750mm, Closed
1	D11345	930x750mm, 490mm Gap
12	LE15108	Ø38x40mm
2	LE15124	Steel rafters
2	LE15188	M16x160 mm
2	LE15192	M16x190 mm
4	LE15194	M16x210 mm
4	LE15196	M16x230 mm
8	LE16003	M6x60
2	LE16022	M12x40 mm
8	LE16050	M6 DIN 986
2	LE16056	M12 cap nut
12	LE16100	M16 nut
8	LE16150	M6
24	LE16152	M16 - Ø30 mm
2	LE16168	M12 - Ø24 mm
3	LE16179	Ø5x30mm Ch
11	LE16182	Ø5x50mm
4	LE16401	M16x180 mm
4	LE16548	Cap Ø28 hole
20	LE16556	Ø42/38mm
1	LE22004	Slide 50x170x195cm
1	LE99715	Ø14mm, l=200/130mm
1	M20009	1150x1020mm
1	M20092	Roof side
1	M20093	Roof side
2	RS00497	Ø160-180
2	RS00513	Ø160-180
1	V10417	HSS lang Ø7mm L:156mm



Parts List		
QTY	PART NO	DESCRIP.
1	D11728	1096x964x28mm
1	D11731	964x1150x95
1	D11893	269x708
1	D11894	995x707mm, 490mm Gap
1	D11950	995x707mm, Closed
1	D12067	810x273x300mm, Assembled
6	LE15108	Ø38x40mm
2	LE15252	M16x200 mm
6	LE16100	M16 nut
8	LE16152	M16 - Ø30 mm
8	LE16192	5x80mm
12	LE16556	Ø42/38mm
1	RS00509	Ø160-180



Parts List		
QTY	PART NO	DESCRIP.
1	D11992	520x215 mm
3	LE16185	Ø5x60 mm Ch



Parts List		
QTY	PART NO	DESCRIP.
1	D41018	Ramp 35°
4	LE13100	Shackle
2	LE15116	L: 600mm
2	LE15901	3x16, PH
1	LE15910	Name tag
2	LE16048	Eyebolt 10x120mm
4	LE16185	Ø5x60 mm Ch
2	LE16294	Ø8x120/80 mm
4	LE16322	Ø8x80 Dh
4	LE16502	Spacer 6mm
1	LE16599	Sealtite 970 1,5ml
1	LE20985	Rib 80cm
2	RS00626	Ø120-140
2	TV00005	Taifun

